

mellerware®

E X E C U T I V E
B B Q G R I L L M A S T E R



complies with
INTERNATIONAL
IEC60355
SAFETY SPECIFICATIONS

m
2000W

CE
2 YEAR
GUARANTEE

Model:
27005

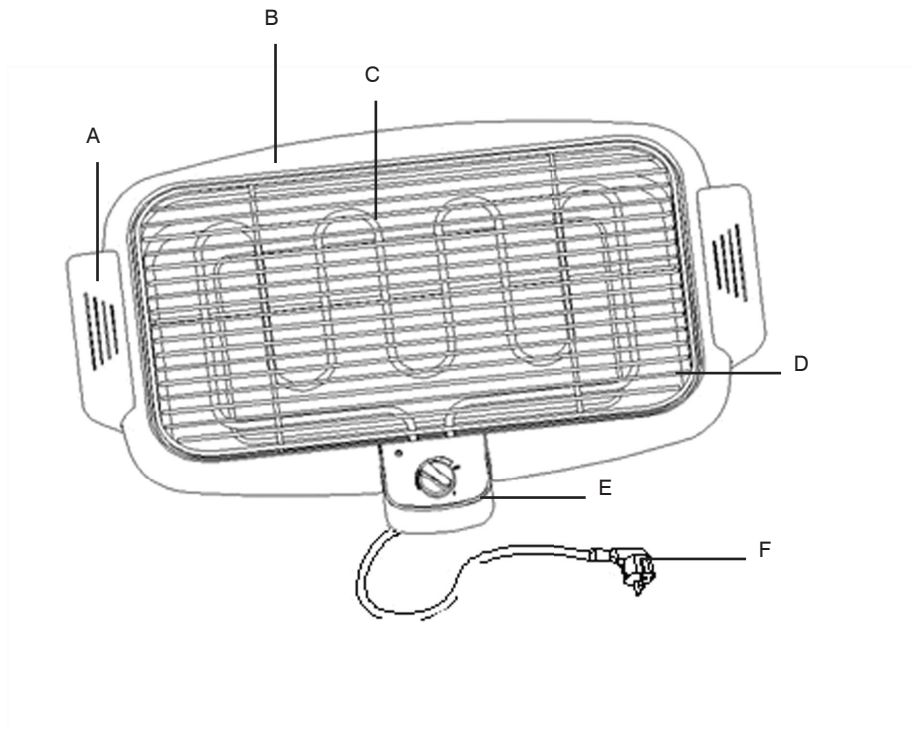
PLEASE READ ALL INSTRUCTIONS BEFORE USE

2 year guarantee



Dear customer,

Many thanks for choosing to purchase a MELLERWARE brand product. Thanks to its technology, design and operation and the fact that it exceeds the strictest quality standards, a fully satisfactory use and long product life can be assured.



Description

A- Handle

B- Grill pan

C- Heating element

D- Grill rack

E- Control box with thermostat knob

F- Power cord and plug



Safety advice and warnings

- Read these instructions carefully before switching on the appliance and keep them for future reference.

Failure to follow and observe these instructions could lead to an accident.

- Before using for the first time, clean all the parts of the product which may come into contact with food, as indicated in the cleaning section.

Connection to the mains supply

The equipment should only be connected to an earth socket installed in accordance with the regulations. Make sure that the supply voltage corresponds with the voltage marked on the barbecue.

Important safety instructions

• **Caution:** do not, under any circumstances, cover the grill rack with aluminous foil, barbecue dishes or other items, as the resulting build-up of heat could cause irreparable damage to the grill.

• Before the appliance is used, the main body as well as any attachment fitted should be checked thoroughly for any defects. The power cord should be regularly examined for any signs of damage. In the event of such damage being found, the appliance must no longer be used.

• During operation, the barbecue must be placed on a level, heat-resistant surfaces, impervious to splashes and stains. When grilling food with a high fat or moisture content, splashes are not always avoidable.

• When using the appliance, be careful not to position it next to a wall or corner, and ensure that no inflammable materials are stored near it.

• Remember that food with a high fat or moisture content may tend to ignite.

• Always fill the grill pan with water before you switch on the appliance. The water helps to cool down the grill pan, reduces the build-up of smoke, and also facilitates cleaning.

Ensure that the water level is kept between the 'Min.' and 'Max.' markings at all times during use.



← Max. water level indicator

← Min. water level indicator

The water level indicator can be found inside the grill pan.

• Always ensure that the water level is kept above the 'Min.' mark. Water should be added regularly, while ensuring that it does not come into contact with the heating element. Take care to not pour water onto the heating element.

• Before the grill is used, always check that the heating element is correctly fitted in the grill pan and safely locked. Do not connect the grill to mains power until the grill pan has been filled with water.

• The barbecue must be supervised at all times during operation. For safety reasons, always keep it out of the reach of children.

• Do not, under any circumstances, use charcoal or any other solid or liquid fuel to operate the grill.

• Always bear in mind that the housing surfaces as well as the heating element become very hot during operation. Even after the heating element is switched off, it must not be touched until it has sufficiently cooled down-there is otherwise a severe danger of burns.

• To avoid the risk of electric shock, the heating element and the power cord must not be immersed in liquid or even allowed to come into contact with it.

• Do not allow the power cord to touch any hot parts of the appliance.

• Always remove the plug from the mains supply socket

- in the case of any malfunction, and

- prior to cleaning, and maintenance.

- after use,

• The use of an extension-lead reel can cause a loss of power, possibly combined with a subsequent heat built-up in the cable. It is therefore necessary to unwind the cable completely if a cable reel is used.

• Before carrying, transporting or storing the grill, ensure that it has sufficiently cooled down. Pour out any remaining water after use.

• Ensure that the grill is not stored outdoors. Or in any other location where it might be subjected to extremes of temperature or high humidity.

• No responsibility will be accepted if damage results from improper use, or if these instructions are not complied with.

• This barbecue is designed for domestic use only



and not for commercial applications.

- In order to comply with safety regulations and to avoid hazards, all repairs of electrical appliances must only be performed by qualified personnel. Substantial dangers for the user can appear from inappropriate repairs.
- Should the barbecue fail to operate or should it be damaged, please contact the nearest authorized service centre as special tools are needed for its repair. Never attempt to repair the barbecue yourself.
- **WARNING:** Indoor use only.
- **WARNING:** Never put the heating element, control box and the plug into water.
- **WARNING:** this appliance is not intended for use by young children and infirm persons unless they have been adequately supervised by a responsible person to ensure that they can use the appliance safely.
- **WARNING:** the temperature of accessible surfaces may be high when the appliance is operating.
- **WARNING:** Young children should be supervised to ensure that they do not play with the appliance.
- **WARNING:** If the supply cord is damaged, it must be replaced by the manufacturer, its service agent or a similarly qualified person in order to avoid a hazard.
- **WARNING:** Charcoal or similar combustible fuels must not be used with this appliance.

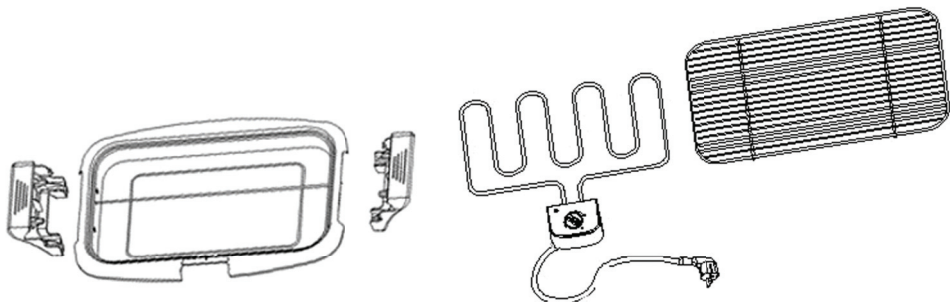
Assemble the grill as the chart.

Before using for the first time

- Remove any packaging materials from the appliance.
- Clean the grill rack and its accessories.

Assembly instructions for the barbecue:

- 1) Through the heating element, fix the bar into the grill pan. Then install the two handles next of the grill pan. Place the heating element and the control box into the grill pan. Using a screw, fix the control box to the grill pan, and assemble.
- 2) Place the grill-rack on top.
- 3) Place the grill on the table. Ensure that the grill is placed in a safe and stable position. The power cord should be placed suitably so that no one is likely to trip over it.



When using the barbecue for the first time:

- Fill the grill pan with water up to the 'Max.' marking.
- Let the grill heat up for a moment without any food on the rack (a slight smell and a little smoke may be emitted - so ensure sufficient ventilation).

Grill

- 1) The grill pan must be filled with water up to the 'Max.' marking.
- 2) Fix the heating element; then ensure that the grill rack is placed correctly on the element.
- 3) Insert the plug into the mains supply socket.
- 4) Set the thermostat control knob to its 'Max.' position. The indicator light turns on, and the heating element is permanently switched on.
- 5) After approximately 5-10 minutes, the heating element reaches the right temperature for grilling. When you are grilling the food stuffs, you can turn the thermostat control knob back to a lower position and/or adjust the grill rack to the middle or upper position.
- 6) The grill can also be used to keep the food warm: by turning the thermostat control knob back to a lower position, the intervals between the heating element switching on and off can be reduced to a minimum.
- 7) The water in the grill pan will evaporate during use. So you must to fill up water from time to time. Be careful not to pour water on the heating element.
- 8) When grilling is finished, turn the thermostat to "0" (off position) and disconnect the grill from the mains supply socket.

General care and cleaning

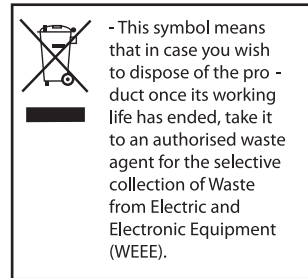
- Ensure that the grill is thoroughly cleaned after each use.
- Before cleaning your barbecue, always make sure that the plug has been disconnected from the mains supply socket. Allow the grill to cool down thoroughly before cleaning.
- Then you should remove the heating element and control box from the grill pan. Never switch the heating element on when it is not placed onto the appliance.
- Clean the heating element with a clean and dry cloth only.
- Clean the grill rack and the grill pan with warm soapy water and dry afterwards.
- Don't use harsh abrasive chemicals or a metal sponge to clean the grill rack and the grill pan.

Storage

- After cleaning, the grill should be stored indoors in a dry location.

Note:

- This appliance is not intended for use by persons (including children) with reduced physical, sensory or mental capabilities, or lack of experience and knowledge, unless they have been given supervision or instruction concerning use of the appliance by a person responsible for their safety.
- Children should be supervised to ensure that they do not play with the appliance.
- The temperature of accessible surfaces may be high when the appliance is operating.
- The instructions shall state that appliances are not intended to be operated by means of an external timer or separate remote-control system.





creative housewares

27 Nourse Avenue Epping 2 Cape Town
P.O. Box 975 Eppindust 7475 South Africa
Tel: +27 21 534 8114 Fax: +27 21 534 8086
Service Centre Share Call: 086 111 5006
web: www.creativehousewares.co.za

Free Manuals Download Website

<http://myh66.com>

<http://usermanuals.us>

<http://www.somanuals.com>

<http://www.4manuals.cc>

<http://www.manual-lib.com>

<http://www.404manual.com>

<http://www.luxmanual.com>

<http://aubethermostatmanual.com>

Golf course search by state

<http://golfingnear.com>

Email search by domain

<http://emailbydomain.com>

Auto manuals search

<http://auto.somanuals.com>

TV manuals search

<http://tv.somanuals.com>