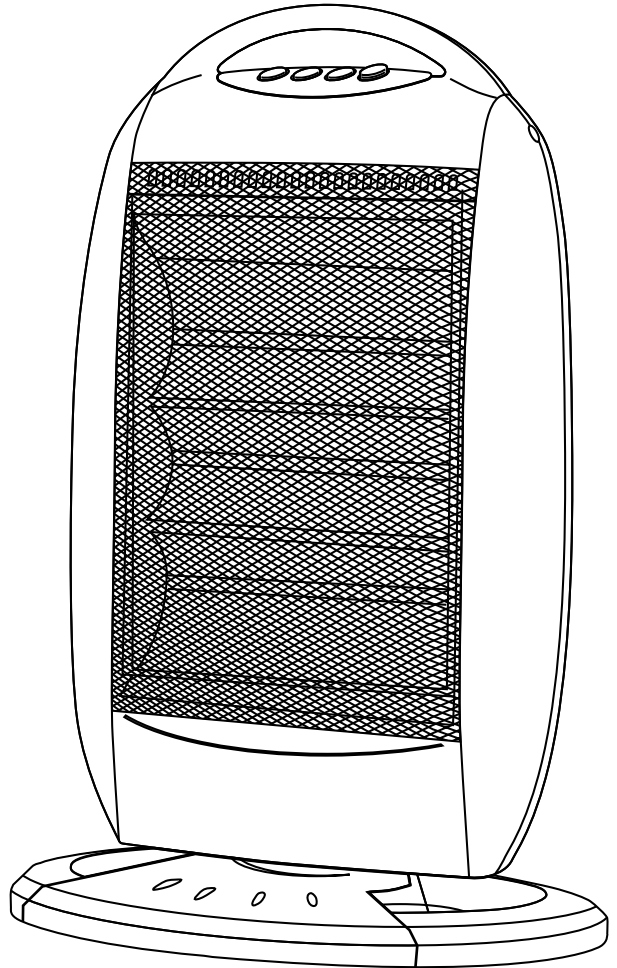


mellerware®

C O N T E M P O R A R Y

3 B a r H a l o g e n H e a t e r



complies with
SABS
IEC60355
SAFETY STANDARDS



CE
2 YEAR
GUARANTEE

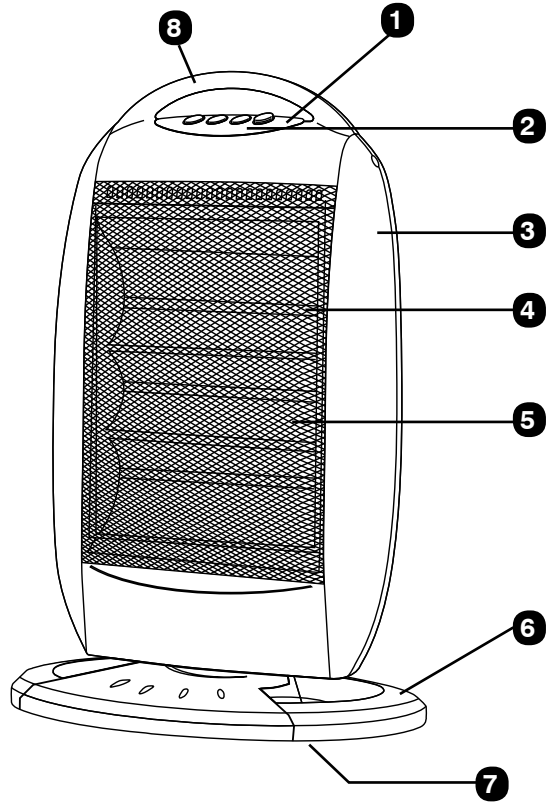
Model:
3 5 4 0 0

PLEASE READ ALL INSTRUCTIONS BEFORE USE

2 year guarantee

KEY AND CHARACTERISTICS:

- 1 – Control Panel
- 2 – Switch Buttons
- 3 – Front Housing
- 4 – Halogen Tube Heating Element
- 5 – Reflector/Radiator
- 6 – Base
- 7 – Tip Over Switch
- 8 - Handle



IMPORTANT SAFETY INSTRUCTIONS:

When using electrical appliances, the following safety precautions should always be followed to reduce the risk of electric shock, personal injury or fire. Read all these instructions carefully before using, and save for future reference or new users.

1. Keep all electrical appliances out of reach of children, in a secure place.
2. This appliance is not designed for children to use.
3. Close supervision is required when any appliance is used near children.
4. To protect against electric shock, never immerse any appliance, the mains lead or plug in water or any other liquid.
5. Never reach for any appliance that has fallen into water. Switch off the power at the mains immediately and unplug. Do not re-use.
6. Avoid placing the appliance where the power cord might be accidentally caught, or the appliance may be knocked into a sink.
7. Ensure hands are dry before operating the switch or turning off at the mains.
8. Ensure the appliance is switched OFF before connecting to the mains power supply.
9. Do not touch hot surfaces, use handles or knobs
10. Do not carry the appliance by the cord or pull the cord to remove the plug from the socket.
11. Do not operate this appliance with a damaged cord or plug. An authorized repair agent should carry out repairs.
12. If the appliance stops unexpectedly or appears to malfunction, unplug from the mains and discontinue use immediately.
13. Never leave the appliance unattended when connected to the mains power supply.
14. Unplug from the mains socket when not in use and before cleaning or changing accessories.
15. Keep the appliance and cable away from sources of heat, sharp objects or anything that may cause damage.
16. Keep all ventilation slots clear of debris and do not cover. Never drop or insert objects into the openings
17. Do not use outdoors. This appliance is designed for domestic household use only.
18. Only use the appliance as described in this booklet.

CAUTION

- Remove the packing and make sure that the appliance is intact. In case of doubt do not use the appliance and contact our after-sales service. Do not leave packaging materials like bags and staples within reach of children.
- Before switching on appliance check if the electrical voltage and frequency of the circuit correspond to those indicated on the appliance.
- The appliance has to be connected to a circuit according to the rules in force concerning the civil plant. The plant has to be related to the nominal power of the appliance and has to be provided with an earth-wire.
- Use the appliance only for the mentioned purpose, namely as a radiator for domestic use. Do not use it for any other application as it could get dangerous.
- The supplier is not responsible for any eventual damages caused by improper or faulty use.

The use of every electrical appliance calls for the awareness of some basic rules, such as:

- Never touch the appliance with wet or damp hands or feet.
- Never expose the appliance to atmospheric conditions (rain, sun, etc.).
- The appliance must be always placed on a flat and stable surface.
- Switch the appliance off and unplug it before cleaning.
- When the appliance is not in use switch it off and unplug it. Make harmless the parts of the appliance which could be handled hazardously by children for playing.
- Do not use the radiator near bath-tubs, showers, wash-basins or swimming pools (minimum distance 1 meter).
- Do not put the cable on the appliance when it is still warm.
- A correct operation of the appliance is obtained when the radiator is installed vertically. Do not switch on the fan heater near pieces of furniture, curtains, shelves, etc.
- Do not use the appliance near liquids or flammable matters.
- Never operate the appliance immediately below an outlet.
- **ATTENTION:** Do not connect the appliance to a device switching the appliance automatically on such as a thermal control device or a time switch to avoid overheating risks when the radiator is moved or covered.
- Do not cover the appliance when it is running to avoid overheating risks.
- In case the power cord is damaged send it to the nearest after sale service recommended by the supplier for the replacement.

- Children, old people and disabled people are not often aware of the dangers, which can derive from improper use of the appliance. The appliance should never be used without an adult supervision.
- Do not connect the appliance to extension cords or multiple outlets.
- Do not damage and do not kink the power cord.
- Before cleaning the appliance or carrying out any maintenance switch off the whole system.
- If the appliance is out of work switch it off without tampering it. If any repair is required please contact only the after-sale centres approved by the supplier and ask for original spare parts. Otherwise safety of the appliance can be compromised.

ASSEMBLY

Assemble the body frame and the base plate together as the following sequences:

1. Remove the butterfly nuts from the lower part of the body frame.
2. Insert the power cord through the slot placed in the middle part of the basement and then assemble the body frame to the base plate.
3. Secure the body frame to the base plate by means of the two butterfly nuts previously removed. Insert the power cord through the suitable slots and then fix it by the clamp.

OPERATION

- Plug in the appliance. Check that the outlet has at least a 10 AMPERE current carrying capacity.

SWITCHES FUNCTIONS

- Select the power by suitable switches. Press the oscillating switch TURN to make the radiator oscillate. Press it again to switch off the oscillating movement of the appliance.
- The radiator can be activated manually by pressing the handle situated in the rear part of the appliance.

SAFETY DEVICE

- This appliance is provided with two safety devices: the first device disconnects the appliance when the radiator is tilted or when is tipped by means of a switch situated in the lower part of the radiator. The second safety device disconnects the appliance in case of overheating by means of a thermo fuse.

MAINTENANCE

- The appliance needs only an external regular cleaning.
- After use and before cleaning always unplug the appliance and wait till the item is cool.
- Clean the grilles from dust.
- Do not clean the painted parts with emery flour or solvents and use only a moistened cloth.

creative housewares

Service Centre Share Call: 086 111 5006

web: www.creativehousewares.co.za

Free Manuals Download Website

<http://myh66.com>

<http://usermanuals.us>

<http://www.somanuals.com>

<http://www.4manuals.cc>

<http://www.manual-lib.com>

<http://www.404manual.com>

<http://www.luxmanual.com>

<http://aubethermostatmanual.com>

Golf course search by state

<http://golfingnear.com>

Email search by domain

<http://emailbydomain.com>

Auto manuals search

<http://auto.somanuals.com>

TV manuals search

<http://tv.somanuals.com>