



mellerware®

E X E C U T I V E

ELEGANT BREEZE 40CM PEDESTAL FAN



complies with
INTERNATIONAL
IEC60355
SAFETY SPECIFICATIONS

m
6 0 W

CE
2 - YEAR
GUARANTEE

Model:
35920

PLEASE READ ALL INSTRUCTIONS BEFORE USE

2 year guarantee



Dear Customer,

Thank you for purchasing a MELLERWARE household appliance. Its technology, design, and functionality, along with complying to the strictest quality standards, will be a source of satisfaction for a long time to come.

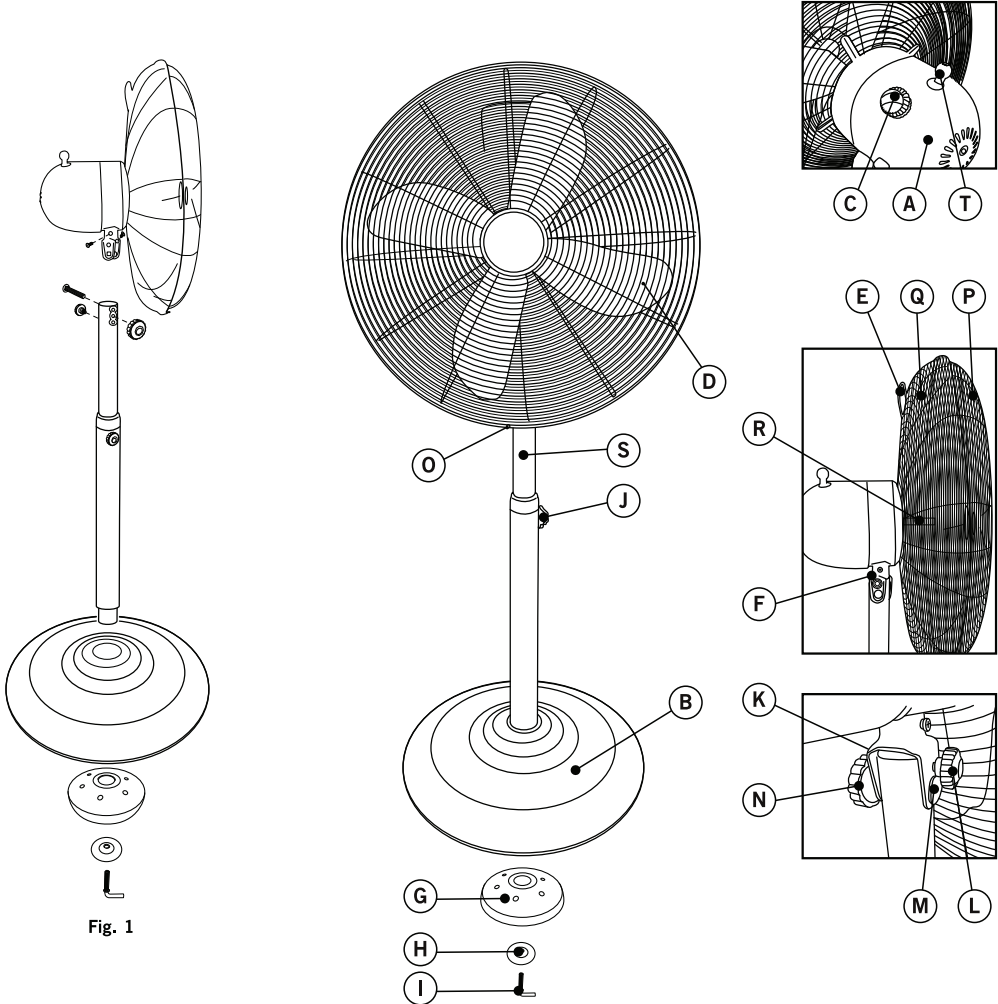


Fig. 1

Description

A	Motor body	H	Washer	O	Security screw
B	Base support	I	"L" shaped screw	P	Front grille
C	Speed selector control	J	Height adjustment control	Q	Rear grille
D	Fan propeller	K	Motor body screw fastening	R	Motor shaft
E	Carry handle	L	Motor body fastening lever	S	Adjustable Column
F	Motor support	M	Incline adjustment screw	T	Oscillation control function
G	Counterweight base	N	Incline adjustment lever		





Safety advice and cautions

• Read these instructions carefully before switching on the appliance and keep them for future reference. Failure to follow and observe these instructions could lead to an accident.

Use or working environment:

• Place the appliance on a horizontal, flat, and stable surface.

• **CAUTION:** To prevent overheating do not cover the appliance

Electrical safety:

• Do not use the appliance if the cable or plug is damaged.

• Ensure that the voltage indicated on the rating label matches the mains voltage before plugging in the appliance.

• Connect the appliance to a mains socket with an earth provision.

• The appliance's plug must fit into the mains socket properly. Do not alter the plug. Do not use plug adaptors.

• Do not use or store the appliance outdoors.

• If any of the appliance's casing breaks, immediately disconnect the appliance from the mains to prevent the likelihood of an electric shock.

• Do not use the appliance if it has fallen on the floor, if there are visible signs of damage.

• Do not force the electrical connection wire. Never use the electric wire to lift up, carry or unplug the appliance.

• Do not wrap the power cord around the appliance.

• Do not touch the plug with wet hands. before each use.

Personal safety:

• Do not touch any of the appliance's moving parts while it is operating.

Use and care:

• Fully unroll the appliance's power cable before each use.

• Do not use the appliance if the on/off switch does not work.

• Do not move the appliance while in use.

• Do not use the appliance if it is tipped up and do not turn it over.

• Disconnect the appliance from the mains when not in use and before undertaking any cleaning task.

• This appliance is for household use only, not professional or industrial use.

• This appliance is intended for adult use. Ensure that this product is not used by the disabled, children or people unused to its handling.

• This appliance should be stored out of reach of children and/or disabled persons.

• Do not expose the appliance to extreme temperatures.

• Any misuse or failure to follow the instructions for use renders the guarantee and the manufacturer's liability null and void.

Installation

Assembly

• Fit the Adjustable Column (S) into the hole in the Support Base (B), place the counterweight (G) underneath the Support Base (B) and secure with the "L" shaped screw (I) inserting the washer (H) between the base and "L" shaped screw (I) (Fig.1)

• Fix the motor body (A) to the adjustable column (S) through the support motor (F) and fix in place with the motor body screw fastening (K) and the motor body fastening lever (L) making it coincide with the appropriate holes. Next introduce the incline adjustment screw (M) into the appropriate hole and tighten it with the inline adjustment lever (N)



- Unscrew the 4 screws and remove the washers situated further back from the front part of the motor body (A) Using these 4 screws screw in the rear grate (Q), leaving the carrying handle (E) on the upper part of the appliance.

- Insert the fan propeller (D) in the motor shaft (R) until the hole in the fan propeller coincides with motor shaft groove. Next use the fan propeller tightening screw to tighten it completely.

- Position the front grill (P) on to the back grill (Q), press them together ensuring that an accurate fitting between the two grills and alignment with the clips on the front grill. Make sure that the hole in the front grill coincides with the security screw (O).

- To ensure that the front and rear grills are securely fitted together secure each one with the security screw (O). This should be introduced through the hole so that the grille's cannot be separated without the help of a tool.

Instructions for use

Use:

- Unroll the cable completely before plugging it in.
- Connect the appliance to the mains.
- Guide the appliance to direct the flow of air in the desired direction.
- Select the desired speed.

Height Adjustment:

- The height of the appliance can be adjusted by loosening the control situate the appliance at the desired height and tighten the control.

Oscillation function:

- The oscillation function makes it possible to direct the flow from the apparatus so that it automatically alternates over a range of 75°.
- To activate this function press the oscillation function control (T).

Once you have finished using the appliance:

- Stop the appliance, selecting position 0 on the selector control.
- Unplug the appliance from the mains.

Carry handle:

- This appliance has a handle on the back to make it easy and convenient to transport.

Safety trip switch:

- The appliance has a safety trip switch that protects the appliance from overheating.

Cleaning

- Disconnect the appliance from the mains and allow it to cool before undertaking any cleaning task.
- Clean the equipment with a damp cloth with a few drops of washing-up liquid and then dry.
- Do not use solvents, or products with an acid or base pH such as bleach, or abrasive products, for cleaning the appliance.
- Do not let water or any other liquid get into the air vents to avoid damage to the inner parts of the appliance.
- Do not submerge the appliance in water or any other liquid.

Anomalies and repair

- Take the appliance to an authorised technical support service if problems arise. Do not try to dismantle or repair without assistance, as this may be dangerous.
- If the connection to the mains has been damaged, it must be replaced and you should proceed as you would in the case of damage.





creative housewares

27 Nourse Avenue Epping 2 Cape Town
PO. Box 975 Eppindust 7475 South Africa
Tel: +27 21 534 8114 Fax: +27 21 534 8086
Service Centre Share Call: 086 111 5006
web: www.creativehousewares.co.za

Free Manuals Download Website

<http://myh66.com>

<http://usermanuals.us>

<http://www.somanuals.com>

<http://www.4manuals.cc>

<http://www.manual-lib.com>

<http://www.404manual.com>

<http://www.luxmanual.com>

<http://aubethermostatmanual.com>

Golf course search by state

<http://golfingnear.com>

Email search by domain

<http://emailbydomain.com>

Auto manuals search

<http://auto.somanuals.com>

TV manuals search

<http://tv.somanuals.com>