



mellerware®

EXECUTIVE
ELEGANT BREEZE 40CM PEDESTAL FAN



complies with
INTERNATIONAL
IEC60355
SAFETY SPECIFICATIONS

m
50W

2 YEAR
GUARANTEE

Model:
35920A

PLEASE READ ALL INSTRUCTIONS BEFORE USE

2 year guarantee





Dear Customer,

Thank you for purchasing a MELLERWARE household appliance. Its technology, design, and functionality, along with complying to the strictest quality standards, will be a source of satisfaction for a long time to come.

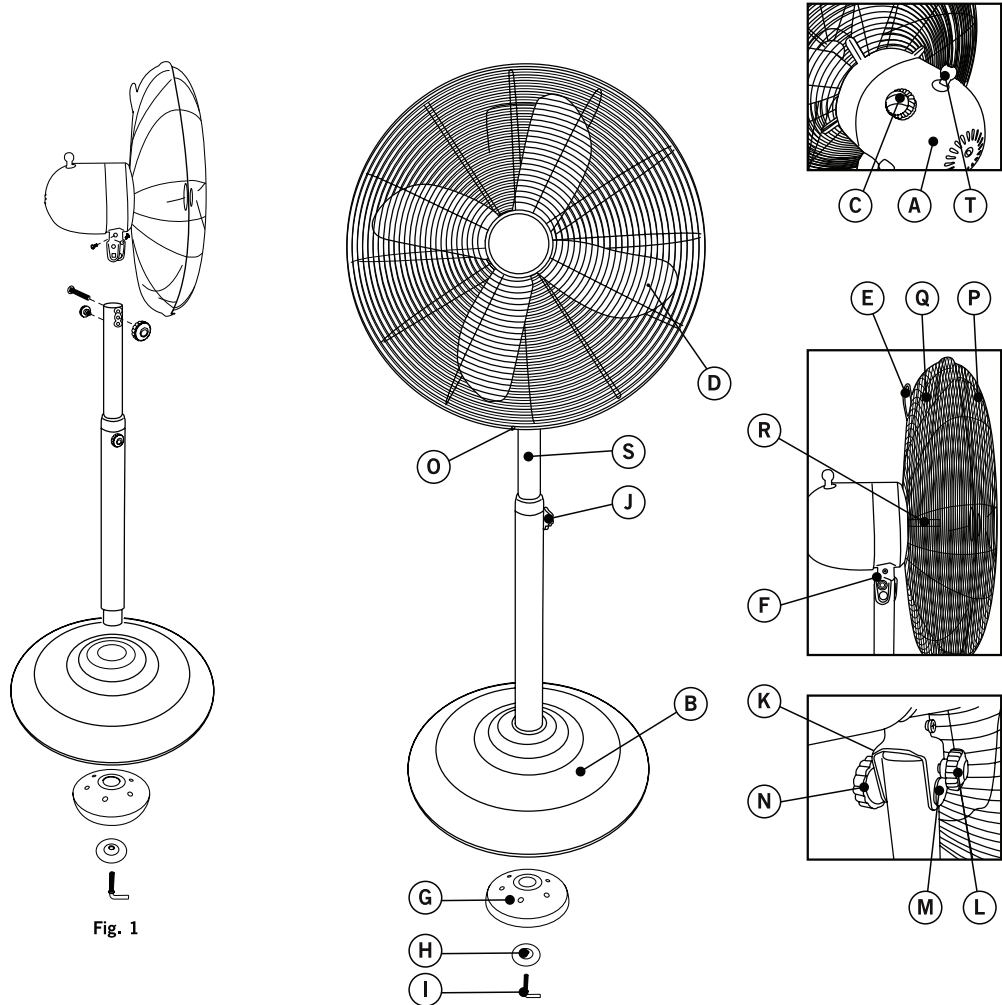


Fig. 1

Description

A	Motor body	H	Washer	O	Security screw
B	Base support	I	"L" shaped screw	P	Front grille
C	Speed selector control	J	Height adjustment control	Q	Rear grille
D	Fan propeller	K	Motor body screw fastening	R	Motor shaft
E	Carry handle	L	Motor body screw	S	Adjustable column
F	Motor support	M	Incline adjustment screw	T	Oscillation control
G	Counterweight base	N	Incline adjustment lever		





Safety advice and cautions:

Read these instructions carefully before switching on the appliance and keep them for future reference. Failure to follow and observe these instructions could lead to an accident.

Use or working environment:

Place the appliance on a horizontal, flat, and stable surface.

CAUTION: To prevent overheating do not cover the appliance.

Electrical safety:

- Do not use the appliance if the cable or plug is damaged.
- Ensure that the voltage indicated on the rating label matches the mains voltage before plugging the appliance in.
- Connect the appliance to a mains socket with an earth provision.
- The appliance's plug must fit into the mains socket properly. Do not alter the plug. Do not use plug adaptors.
- Do not use or store the appliance outdoors.
- If any of the appliance's casings break, immediately disconnect the appliance from the mains to prevent the likelihood of an electric shock.
- Do not use the appliance if it has fallen on the floor or if there are visible signs of damage.
- Do not force the electrical connection wire. Never use the electric wire to lift up, carry or unplug the appliance.
- Do not wrap the power cord around the appliance.
- Do not touch the plug with wet hands.

Personal safety:

Do not touch any of the appliance's moving parts while it is operating.

Use and care:

- Fully unroll the appliance's power cable before use.
- Do not use the appliance if the on/off switch does not work.
- Do not move the appliance while in use.

- Do not switch the appliance on if it has tipped over.
- Disconnect the appliance from the mains when not in use and before undertaking any cleaning task.
- This appliance is for household use only, not professional or industrial use.
- Switch off the appliance and disconnect from electrical supply before changing accessories or handling parts that move in use. This appliance should be stored out of reach of children and/or disabled persons.
- This appliance is not intended for use by persons (including children) with reduced physical, sensory or mental capabilities, or lack of experience and knowledge, unless they have been given supervision or instruction concerning use of the appliance by a person responsible for their safety.
- Children should be supervised to ensure that they do not play with the appliance.
- Do not expose the appliance to extreme temperatures.
- Any misuse or failure to follow the instructions for use renders the guarantee and the manufacturer's liability null and void.

Installation:

Assembly:

- Fit the adjustable column (S) into the hole in the base support (B), place the counterweight base (G) underneath the support base (B) and secure with the "L" shaped screw (I) inserting the washer (H) between the base and "L" shaped screw (I) (Fig.1)
- Fix the motor (A) to the adjustable column (S) through the support motor (F) and fix in place with the motor body screw fastening (K) and the motor body fastening lever (L) making it coincide with the appropriate holes. Next introduce the incline adjustment screw (M) into the appropriate hole and tighten it with the inline adjustment lever (N).
- Unscrew the 4 screws and remove the washers





situated further back from the front part of the motor body (A). Using these 4 screws, attach the rear grille (Q), ensuring that the carrying handle (E) is on the upper part of the appliance.

- Insert the fan propeller (D) onto the motor shaft (R) until the hole in the fan propeller coincides with motor shaft groove. Next use the fan propeller tightening screw to tighten it completely.
- Position the front grille (P) on to the back grille (Q), press them together ensuring that the clips are in alignment. Make sure that the hole in the front grille coincides with the security screw (O).
- To ensure that the front and rear grilles are securely fitted together secure each one with the security screw (O). This should be introduced through the hole so that the grille's cannot be separated without the use of a tool.

Instructions for use:

- Unroll the cable completely before plugging it in.
- Connect the appliance to the mains electrical supply.
- Guide the appliance to direct the flow of air in the desired direction.
- Select the desired speed.

Height Adjustment:

The height of the appliance can be adjusted by loosening the control, setting the appliance to the desired height and tightening the control again.

Oscillating function:

- The oscillating function makes it possible to direct the flow from the apparatus so that it automatically alternates over a range of 75°.
- To activate this function press the oscillating function control (T).

Once you have finished using the appliance:

- Stop the appliance, selecting position 0 on the selector control.
- Unplug the appliance from the mains power supply.

Carry handle:

This appliance has a handle on the back to make it easy and convenient to transport.

Safety trip switch:

The appliance has a safety trip switch that protects the appliance from overheating.

Cleaning:

- Disconnect the appliance from the mains and allow it to cool before undertaking any cleaning task.
- Clean the equipment with a damp cloth with a few drops of washing-up liquid and then dry.
- Do not use solvents, or products with an acid or base pH such as bleach, or abrasive products, for cleaning the appliance.
- Do not let water or any other liquid get into the air vents to avoid damage to the inner parts of the appliance.
- Do not submerge the appliance in water or any other liquid.

Anomalies and repair:


- Take the appliance to an authorised technical support centre if problems arise. Do not try to dismantle or repair without assistance, as this may be dangerous.
- If the connection to the mains has been damaged, it must be replaced and you should proceed as you would in the case of damage.









creative housewares

 20 Tekstiel Street, Parow, Cape Town, 7493, South Africa

 P.O. Box 6156 Parow East, 7501, South Africa

 +27 21 931 8117  +27 21 931 4058

Service Centre Helpline: 086 111 5006

 www.creativehousewares.co.za



Free Manuals Download Website

<http://myh66.com>

<http://usermanuals.us>

<http://www.somanuals.com>

<http://www.4manuals.cc>

<http://www.manual-lib.com>

<http://www.404manual.com>

<http://www.luxmanual.com>

<http://aubethermostatmanual.com>

Golf course search by state

<http://golfingnear.com>

Email search by domain

<http://emailbydomain.com>

Auto manuals search

<http://auto.somanuals.com>

TV manuals search

<http://tv.somanuals.com>