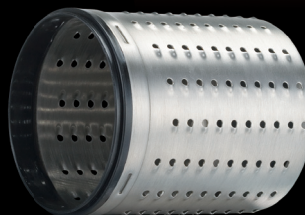
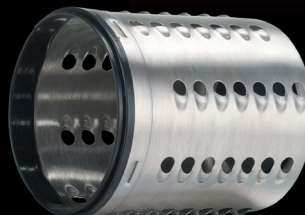
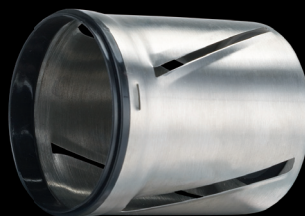




mellerware®

EXECUTIVE
GRATE CHEF FOOD PROCESSOR



complies with
INTERNATIONAL
IEC60355
SAFETY SPECIFICATIONS

m
240W

Model:
26888

PLEASE READ ALL INSTRUCTIONS BEFORE USE

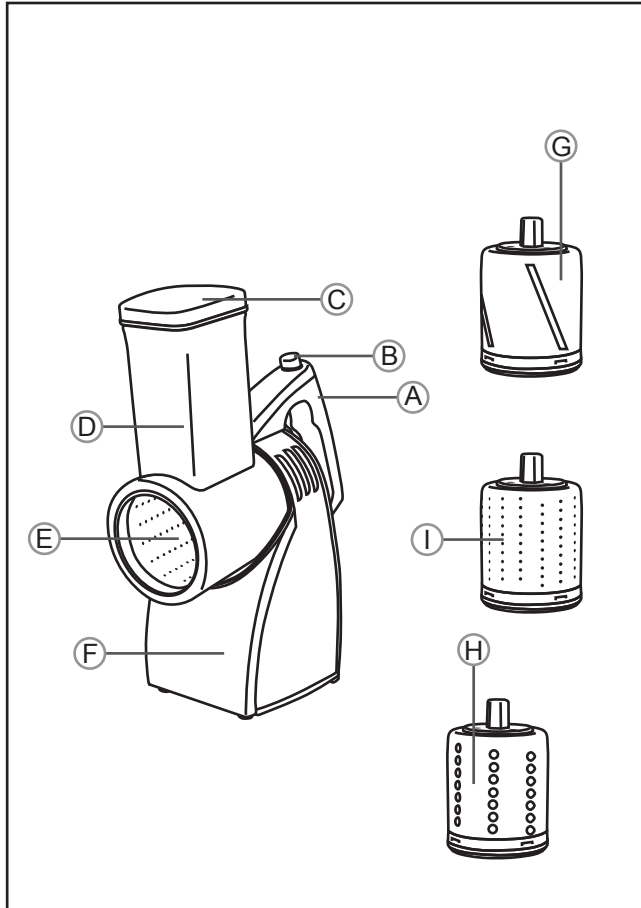
2 year guarantee





Dear customer,

Many thanks for choosing to purchase a MELLERWARE brand product. Thanks to its technology, design and operation and the fact that it exceeds the strictest quality standards, a fully satisfactory use and long product life can be assured.



Description

- A- Handle
- B- On / Off switch
- C- Pusher
- D- Feed tube
- E- Grate drum
- F- Housing base
- G- Slicing drum
- H- Shredding drum
- I- Fine shredding drum





Safety advice and warnings

- Read these instructions carefully before switching on the appliance and keep them for future reference. Failure to follow and observe these instructions could lead to an accident.
- Before using for the first time, clean all the parts of the product which may come into contact with food, as indicated in the cleaning section.

Working environment:

- Keep the working area clean and well lit. Cluttered and dark areas invite accidents.
- Do not place the appliance on hot surfaces, such as cooking plates, gas burners, ovens or similar.
- Keep children and bystanders away when using this appliance.
- The appliance must be used and placed on a flat, stable surface.

Electrical safety:

- Do not use the appliance if the cable or plug is damaged.
- Ensure that the voltage indicated on the rating label matches the mains voltage before plugging in the appliance.
- The appliance's plug must fit into the mains socket properly. Do not alter the plug. Do not use plug adaptors.
- If any of the appliance casings breaks, immediately disconnect the appliance from the mains to prevent the possibility of an electric shock.
- Do not force the power cord. Never use the power cord to lift up, carry or unplug the appliance.
- Do not wrap the power cord around the appliance.
- Do not touch the plug or operate the appliance with wet hands.

Personal safety:

- Do not touch any of the appliance's moving parts while it is operating.
- Exercise precaution after employing the stop operation on the appliance as the tool will continue moving from the effect of its own mechanical inertia.

Use and care:

- Fully unroll the appliance's power cable before each use.
- Do not use the appliance if the parts or accessories are not properly fitted.
- Do not use the appliance if the on/off switch does not work.
- Do not move the appliance while in use.
- Use the appliance handle/s to move it.
- Disconnect the appliance from the mains when not in use and before undertaking any cleaning task.

- Unplug the appliance from the mains before replacing any accessory.
- This appliance is for household use only, not professional or industrial use.
- This appliance is not a toy. Children should be supervised to ensure that they do not play with the appliance.
- This appliance is intended for adult use. Ensure that this product is not used by the disabled, children or people unused to its handling.
- This appliance should be stored out of reach of children and/or the disabled.
- Keep the appliance in good condition. Check that the moving parts are not misaligned or locked and make sure there are no broken parts or anomalies that may prevent the appliance from operating correctly.
- To squeeze out or guide the food item, always use the food's "pusher". Never use your fingers or other accessories.
- Pay special attention when assembling and removing the accessories, as the blades are sharp. Be careful and avoid direct contact with the blades' cutting edges.
- Any misuse or failure to follow the instructions for use renders the guarantee and the manufacturer's liability null and void.

Instructions for use

Before use:

- Make sure that all the product's packaging has been removed.
- Before using the product for the first time, clean the parts that will come into contact with food in the manner described in the cleaning section.
- Prepare the appliance according to the function you wish to use.

Use:

- Unroll the cable completely before plugging it in.
- Extract the pusher (C) from the feed tube (D).
- Remove the feed tube (D) by holding the handle (A), moving the feed tube in a clockwise direction and then pulling it out.
- Insert the required accessory (G, H or I) in the grate drum (E).
- Hold the handle (A) with one hand, and with the other hand place the feed tube (D) in the housing base (F) at an angle of 15°, turning it in an anti-clockwise direction until it is in a vertical position and centred in relation to the handle.
- Connect the appliance to the mains.
- Turn the appliance on, by using the on/off button.
- Work with the food you want to process.
- Carefully put the food inside the feed tube and



apply a downward pressure to the feeder while guiding the feeder inside the tube.

- When processing large quantities of food, remove the feed tube and current accessory to remove all excess processed food.

Once you have finished using the appliance:

- Stop the appliance using the on/off switch.
- Unplug the appliance from the mains.
- Clean the appliance.

Carry handle/s:

- This appliance has a handle on the side of the body, which facilitates comfortable transport.

Cleaning

- Disconnect the appliance from the mains and allow it to cool before undertaking any cleaning task.
- Clean the equipment with a damp cloth with a few drops of washing-up liquid and then dry.
- Do not use solvents, or products with an acid or base pH such as bleach, or abrasive products, for cleaning the appliance.
- Do not let water or any other liquid get into the air vents to avoid damage to the inner parts of the appliance.
- During the cleaning process, take special care with the blades, as they are very sharp.
- It is advisable to clean the appliance regularly and remove any food remains.
- The following pieces may be washed in the top rack of dishwasher:
 - Pusher
 - Feed tube
 - Grate Drum
 - Slicing drum
 - Shredding drum
 - Fine Shredding drum

Anomalies and repair

- Take the appliance to an authorised technical support service if problems arise. Do not try to dismantle or repair without assistance, as this may be dangerous.
- If the connection to the mains has been damaged, it must be replaced and you should proceed as you would in the case of damage.



- This symbol means that in case you wish to dispose of the product once its working life has ended, take it to an authorised waste agent for the selective collection of Waste from Electric and Electronic Equipment (WEEE).

This appliance complies with Directive 2006/95/EC on Low Voltage and Directive 2004/108/EC on Electromagnetic Compatibility.





creative housewares

27 Nourse Avenue Epping 2 Cape Town
P.O. Box 975 Eppindust 7475 South Africa
Tel: +27 21 534 8114 Fax: +27 21 534 8086
Service Centre Share Call: 086 111 5006
web: www.creativehousewares.co.za



Free Manuals Download Website

<http://myh66.com>

<http://usermanuals.us>

<http://www.somanuals.com>

<http://www.4manuals.cc>

<http://www.manual-lib.com>

<http://www.404manual.com>

<http://www.luxmanual.com>

<http://aubethermostatmanual.com>

Golf course search by state

<http://golfingnear.com>

Email search by domain

<http://emailbydomain.com>

Auto manuals search

<http://auto.somanuals.com>

TV manuals search

<http://tv.somanuals.com>