



mellerware®

E X E C U T I V E

ALONZO ELECTRIC FRY&PIZZA PAN



Complies with
INTERNATIONAL
IEC60355
SAFETY SPECIFICATIONS

m
1500W

CE
2 YEAR
GUARANTEE

Model:
27550

PLEASE READ ALL INSTRUCTIONS BEFORE USE

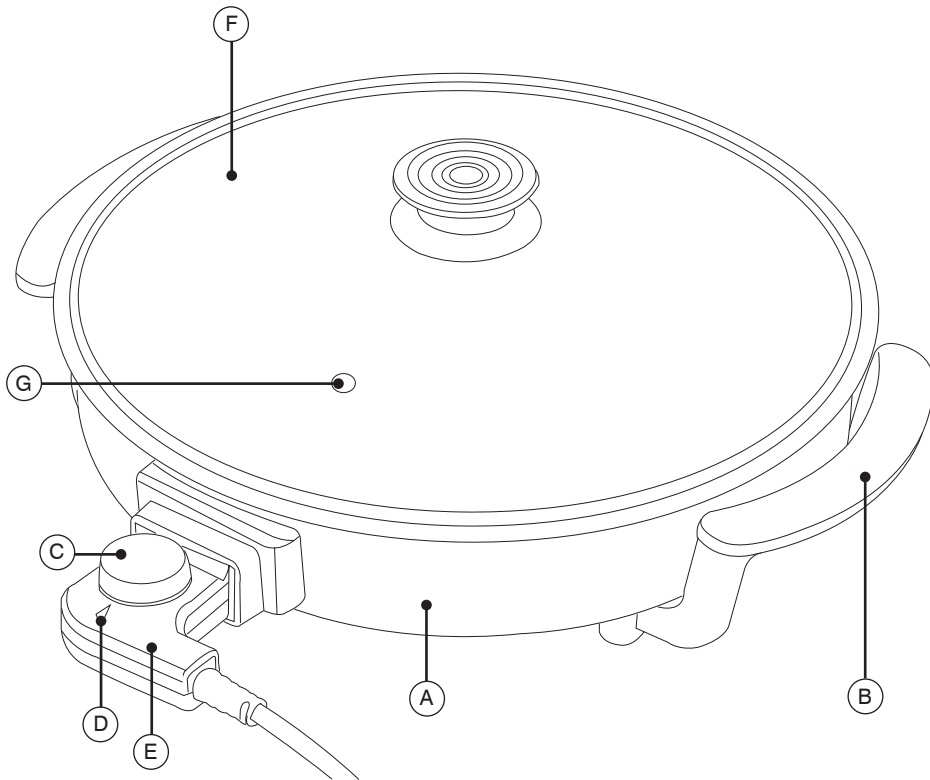
2 year guarantee





Dear customer,

Many thanks for purchasing a MELLERWARE product. Thanks to its technology, design and operation and the fact that it goes through strict quality controls - we feel sure you will be entirely satisfied.



Description

A Non-stick grill

B Handles

C Temperature selector

D LED

E Connector

F Glass lid

G Steam outlet





Safety advice and warnings

- Read these instructions carefully before switching the appliance on and keep them for future consultation. Failure to follow and observe these instructions may result in an accident.
- Clean all the parts of the product which will be in contact with food, as indicated in the cleaning section, before use.

Use or working environment:

- Place the appliance on a horizontal, flat, stable surface.
- Keep the appliance away from flammable material such as textiles, cardboard or paper, etc.

Electrical safety:

- Do not use the appliance if the cable or plug is damaged.
- Ensure that the voltage indicated on the nameplate matches the mains voltage before plugging in the appliance.
- Connect the appliance to a base with an earth socket withstanding a minimum of 10 amperes.
- The appliance's plug must fit into the mains socket properly. Do not alter the plug. Do not use plug adaptors.
- Do not use or store the appliance outdoors.
- Do not use the appliance if it has fallen on the floor, if there are visible signs of damage or if it has a leak.
- Do not force the electrical wire. Never use the electric wire to lift up, carry or unplug the appliance.
- Do not allow the connection cable to come into contact with the appliance's hot surfaces.
- Check the state of the power cable. Damaged or tangled cables increase the risk of electric shock.
- Do not touch the plug with wet hands.

Personal safety:

- The temperature of the accessible surfaces may be high when the appliance is in use.

Use and care:

- Do not use the appliance if the on/off switch does not work.
- Disconnect the appliance from the mains when

not in use and before undertaking any cleaning task.

- This appliance is for household use only, not professional or industrial use.
- This appliance is intended for use by adults. Ensure that this product is not used by the mentally disabled, children or people unused to its handling.
- This appliance should be stored out of reach of children and/or the disabled.
- Do not move the appliance while in use.
- Do not use the appliance if it is tipped up and do not turn it over.
- Turn the thermostat control to the minimum (MIN) setting. This does not mean that the iron is switched off permanently.
- Any misuse or failure to follow the instructions for use renders the guarantee and the manufacturer's liability null and void.

Instructions for use

Use:

- Plug the connector into the appliance
- Connect the appliance to the mains.
- Position the temperature selector in the desired position.
- The pilot light will come on.
- When the grill reaches the selected temperature, the pilot light will go out.
- During cooking the pilot light will come on and off, indicating that the selected temperature is being maintained.
- Use wooden spatulas so as not to scratch the metallic surface.

Once you have finished using the appliance:

- Select the minimum position (MIN) using the thermostat control.
- Unplug the appliance from the mains.
- Unplug the appliance.

Transport:

- This appliance has a handle on the back to make it easy and convenient to transport.

Cleaning

- Disconnect the appliance from the mains and allow it to cool before undertaking any cleaning task.





- Clean the equipment with a damp cloth with a few drops of washing-up liquid and then dry.
- Do not use solvents, or products with an acid or base pH such as bleach, or abrasive products, for cleaning the appliance.
- Never submerge the appliance in water or any other liquid or place it under running water.
- It is advisable to clean the appliance regularly and remove any food remains.

Anomalies and repair

Go to an authorized Technical Support Service in the event of malfunctions. Do not try to dismantle or repair without assistance, as this may be dangerous.

If the connection to the mains has been damaged, it must be replaced and you should proceed as you would in the case of damage.

Ecology and recyclability of the product

- The materials of which the packaging of this appliance consists are included in a collection, classification and recycling system. Should you wish to dispose of them, use the appropriate public containers for each type of material.
- The product does not contain concentrations of substances considered harmful to the environment.
- Should you wish to dispose of the product once its working life has ended, take it to an authorised waste agent for the selective collection of waste from electric and electronic appliances.

This appliance complies with Directive 73/23/EC on Low Voltage and Directive 89/336/EC on Electromagnetic Compatibility.





creative housewares

27 Nourse Avenue Epping 2 Cape Town
PO. Box 975 Eppindust 7475 South Africa
Tel: +27 21 534 8114 Fax: +27 21 534 8086
Service Centre Share Call: 086 111 5006
web: www.creativehousewares.co.za



Free Manuals Download Website

<http://myh66.com>

<http://usermanuals.us>

<http://www.somanuals.com>

<http://www.4manuals.cc>

<http://www.manual-lib.com>

<http://www.404manual.com>

<http://www.luxmanual.com>

<http://aubethermostatmanual.com>

Golf course search by state

<http://golfingnear.com>

Email search by domain

<http://emailbydomain.com>

Auto manuals search

<http://auto.somanuals.com>

TV manuals search

<http://tv.somanuals.com>