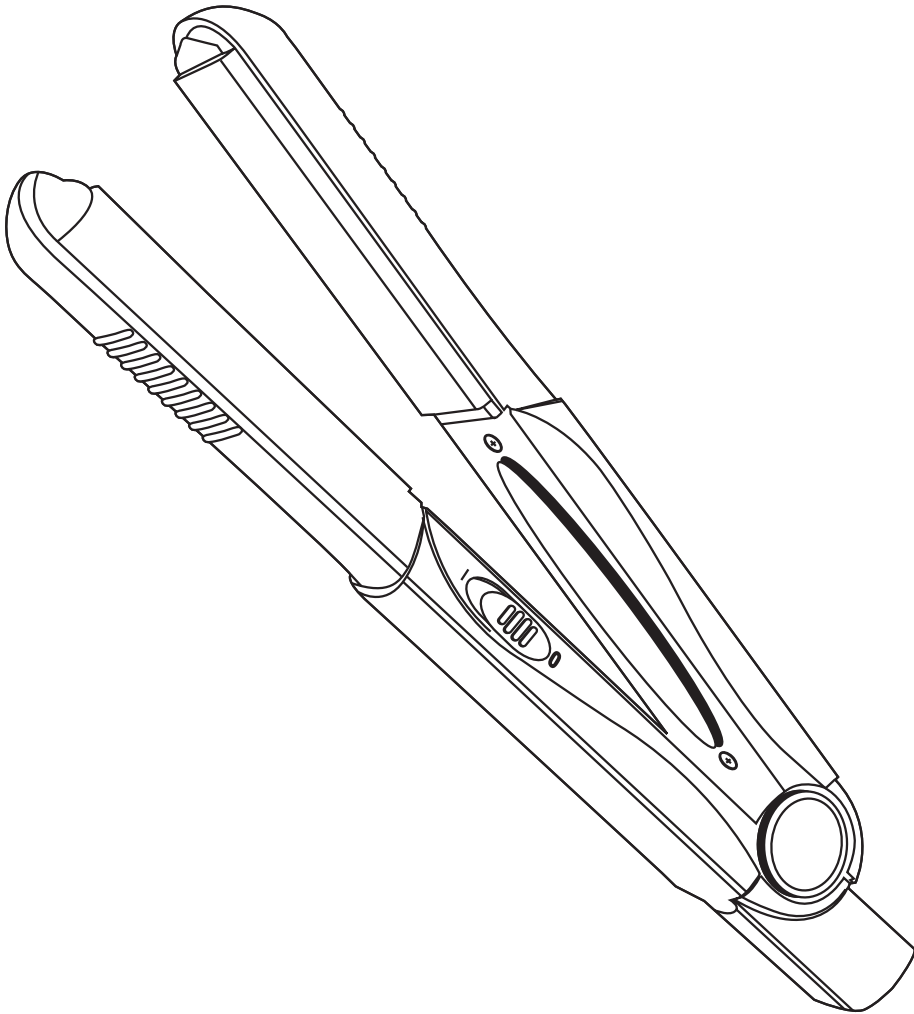




# mellerware®

P E R S O N A L

Lookstyler Slim Ceramic Hair Straightener



complies with  
IEC60355  
SAFETY SPECIFICATIONS



CE  
2 YEAR  
GUARANTEE

Model:  
20300

**PLEASE READ ALL INSTRUCTIONS BEFORE USE**

**2 year guarantee**

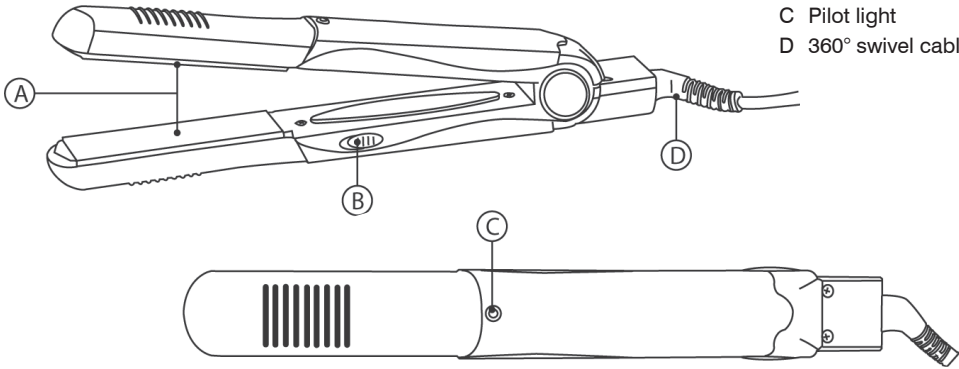




## KEY and CHARACTERISTICS

### Description

- A Ceramic plates
- B On/Off switch
- C Pilot light
- D 360° swivel cable



### Safety advice and warnings

- Read these instructions carefully before switching the appliance on and keep them for future consultation. Failure to follow and observe these instructions may result in an accident.

### Use or working environment:

- CAUTION: In order to prevent overheating, do not cover the appliance.

### Electrical safety

- Do not use the appliance if the cable or plug is damaged.
- Ensure that the voltage indicated on the nameplate matches the mains voltage before plugging in the appliance.
- The appliance's plug must fit into the mains socket properly. Do not alter the plug. Do not use plug adaptors.
- Do not use or store the appliance outdoors.
- Do not leave the appliance out in the rain or exposed to moisture. If water gets into the appliance, this will increase the risk of electric shock.
- If any of the appliance's casing breaks, immediately disconnect the appliance from the mains to prevent the possibility of an electric shock.

- Do not use the appliance with damp hands or feet, or when barefooted.
- CAUTION: Do not use the appliance near water.
- Do not use the appliance near bathtubs, showers or swimming pools.
- Do not force the electrical wire. Never use the electric wire to rise, carry or unplug the appliance.
- Do not wrap the cable around the appliance.
- Do not allow the connection cable to come into contact with the appliance's hot surfaces.
- Check the state of the power cable. Damaged or tangled cables increase the risk of electric shock.
- As an additional protection to the electrical supply for the appliance, it is recommendable to have a differential current device with a maximum sensitivity of 30 mA. Ask for advice from a competent installer.
- Do not touch the plug when your hands are wet.

### Use and care

- Fully unroll the appliance's power cable before each use.
- Do not use the appliance on wet hair.
- Do not use the appliance if the on/off switch does not work.



- If you use the appliance in a bathroom or similar place, unplug the appliance from the mains when it is not in use, even if it is only for a short while, as proximity to water involves a risk, even if the appliance is disconnected.
- This appliance is for household use only, not professional or industrial use.
- This appliance is intended for use by adults. Do not allow people not used to handling this kind of product, mentally handicapped people or children to use it.
- This appliance should be stored out of reach of children and/or handicapped people.
- Do not put the appliance away if it is still hot.
- Do not expose the appliance to extreme temperatures.
- Any misuse or failure to follow the instructions for use renders the guarantee and the manufacturer's liability null and void.

## Instructions for use

### Use:

- Unroll the cable completely before plugging it in.
- Connect the appliance to the mains.
- Switch the appliance on using the On/Off button.
- The pilot light will come on to indicate that the appliance is starting to heat up.
- The appliance has an integrated PTC resistance system to keep the temperature of the ceramic plates stable.
- For perfect hair straightening, separate a lock of hair that is not too thick, put it in a perpendicular position between the plates and gently pull it from the roots to the tips.
- If necessary, repeat the operation again.
- Proceed gradually with the rest of the hair.

### Once you have finished using the appliance

- Turn the appliance off using the on/off switch.
- Unplug the appliance from the mains.

### Safety trip switch:

- The appliance has a safety trip switch protecting the appliance against any

overheating.

- If the appliance turns itself off and does not come on again, unplug it from the mains and wait 5 minutes before switching it on again. If it still does not work, contact one of the authorised technical assistance services.

## Cleaning

- Disconnect the appliance from the mains and allow it to cool before undertaking any cleaning task.
- Clean the equipment with a damp cloth with a few drops of washing-up liquid and then dry.
- Do not use solvents, or products with an acid or base pH such as bleach, or abrasive products, for cleaning the appliance.
- Never submerge the appliance in water or any other liquid or put it under running water.

## Malfunctions and repair

- Go to an authorized Technical Support Service in the event of malfunctions. Do not try to dismantle or repair it yourself as this may be dangerous. If the connection to the mains has been damaged, it must be replaced and you should proceed as you would in the case of damage.

## Ecology and recyclability of the product

- The materials of which the packaging of this appliance consists are included in a collection, classification and recycling system. Should you wish to dispose of them, use the appropriate public containers for each type of material.
- The product does not contain concentrations of substances which could be considered harmful to the environment.
- Should you wish to dispose of the product once its working life has ended, take it to an authorised waste agent for the selective collection of waste from electric and electronic appliances.
- This appliance complies with Directive 73/23/EC on Low Voltage and Directive 89/336/EC on Electromagnetic Compatibility.





creative housewares

27 Nourse Avenue Epping 2 Cape Town  
P.O. Box 975 Eppindust 7475 South Africa  
Tel: +27 21 534 8114 Fax: +27 21 534 8086  
Service Centre Share Call: 086 111 5006  
web: [www.creativehousewares.co.za](http://www.creativehousewares.co.za)



## Free Manuals Download Website

<http://myh66.com>

<http://usermanuals.us>

<http://www.somanuals.com>

<http://www.4manuals.cc>

<http://www.manual-lib.com>

<http://www.404manual.com>

<http://www.luxmanual.com>

<http://aubethermostatmanual.com>

Golf course search by state

<http://golfingnear.com>

Email search by domain

<http://emailbydomain.com>

Auto manuals search

<http://auto.somanuals.com>

TV manuals search

<http://tv.somanuals.com>