

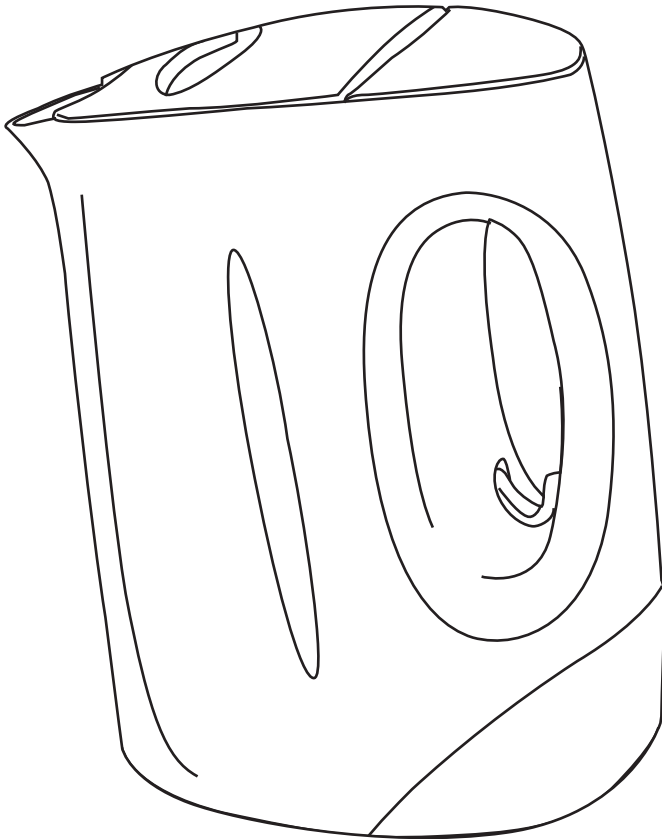


# mellerware®

Eco

Corded

Kettle



complies with  
INTERNATIONAL  
IEC60335  
SAFETY SPECIFICATIONS

**m**  
2 0 0 0

**CE**  
2-YEAR  
GUARANTEE

Model:  
21205G

**PLEASE READ ALL INSTRUCTIONS BEFORE USE**

**2 year guarantee**





## IMPORTANT SAFETY INSTRUCTIONS:

**When using electrical appliances, the following safety precautions should always be followed to reduce the risk of electric shock, personal injury and fire. Read all these instructions carefully before using, and save for future reference or new users.**

1. Keep all electrical appliances out of reach of children, in a secure place.
2. This appliance is not designed for children to use.
3. Close supervision is required when any appliance is used near children.
4. To protect against electric shock, never immerse any appliance, the mains lead or plug in water or any other liquid.
5. Never reach for any appliance that has fallen into water. Switch off the power at the mains immediately and unplug. Do not re-use.
6. Avoid placing the appliance where the power cord might be accidentally caught, or the appliance may be knocked into a sink.
7. Ensure hands are dry before operating the switch or turning off at the mains.
8. Ensure the appliance is switched OFF before connecting to the mains power supply.
9. Do not touch hot surfaces, use handles or knobs
10. Do not carry the appliance by the cord or pull the cord to remove the plug from the socket.
11. Do not operate this appliance with a damaged cord or plug. A qualified/authorised service agent should carry out repairs.
12. If the appliance stops unexpectedly or appears to malfunction, unplug from the mains and discontinue use immediately.
13. Never leave the appliance unattended when connected to the mains power supply.
14. Unplug from the mains socket when not in use and before cleaning or changing accessories.
15. Keep the appliance and cable away from sources

of heat, sharp objects or anything that may cause damage.

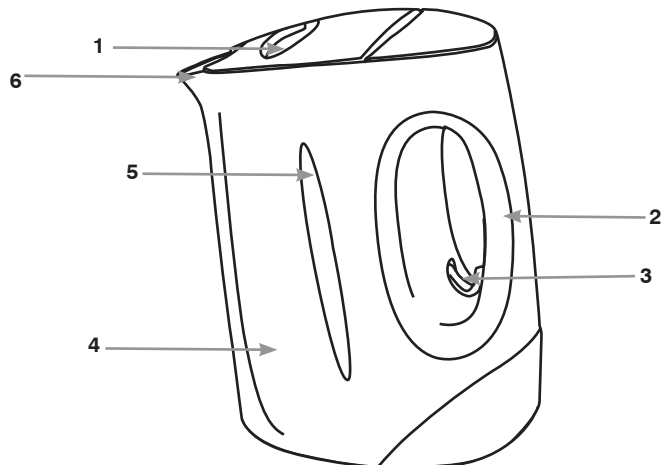
16. Keep all ventilation slots clear of debris and do not cover. Never drop or insert objects into to the openings
17. Do not use outdoors. This appliance is designed for domestic household use only.
18. Only use the appliance as described in this booklet

## ADDITIONAL WARNINGS FOR KETTLES:

1. The kettle and base (where applicable) must not be operated with any other models of kettle.
2. The kettle is fitted with a dry-operation cutout that switches off the kettle if it has boiled dry. If this happens allow the kettle to cool down for approximately 15 minutes, then fill the kettle with cold water. This will reset the cutout so that the kettle can be used again.
3. Do not overfill. Check the water level gauge when filling.
4. Never remove the cord from the kettle while in operation. Switch off the appliance first.
5. Ensure the lid is closed properly before switching on, to prevent water splashing out when boiling. Do not open the lid when boiling
6. After the kettle has boiled it may need a minute to cool down before restarting.
7. Take care when pouring. Pour slowly and do not over-tilt.
8. Make sure the kettle is always used on a flat surface.
9. Water will remain hot for considerable time after boiling and will present a scalding hazard. Take care and keep away from children.
10. The outside surface of the kettle will become hot during use. To avoid injuries only hold the handle.
11. Take care to avoid contact with the steam coming from the lid or spout.

## INSTRUCTIONS FOR USE:

1. Hinged Lid
2. Handle
3. On/Off Switch
4. Body
5. Water Level Window
6. Spout





## INSTRUCTIONS FOR USE:

### USING YOUR KETTLE

It is important that you read these instructions before using your kettle for the first time.

1. Open the lid of the kettle, fill with tap water to the desired level. (Min. capacity is 0.5L and max. capacity is 1.0L). In hard water areas, using purified or filtered water is recommended to reduce the amount of scale build up in the kettle. (Note: You may also fill through the spout, but be careful not to overflow – use water level gauge to check)
2. Close the lid until it clips. Place the kettle on the base and plug into the mains.
3. To switch on the kettle, press the On/Off switch forward (position 1) (CAUTION: Do not place downward pressure on the switch). When the water has boiled the kettle will automatically switch off. You can stop the kettle at any time by pressing the On/Off switch backwards (position 0).
4. Pour slowly and carefully. If you wish to re-boil, please allow a minute for the kettle to cool down.

#### Warning:

If the kettle has just boiled it will be full of steam that will escape if the lid is opened.

**IMPORTANT:** Do not open the lid when steam is coming out of the spout.

Before pouring or filling always remember to disconnect from electricity.

#### Note:

If the kettle is switched on when empty or with insufficient water, then the kettle will switch off automatically to protect against dry boiling. Wait  $\pm 15$  minutes until the heating element cools down, refill with tap water and use as normal. This protection function is not designed for regular use, as it will shorten the life of the element.

If the kettle is overfilled, boiling water may be ejected. The kettle is only to be used with the stand provided (cordless models only).

The appliance must not be immersed in liquid during cleaning.

If the supply cord is damaged, the manufacturer or its service agent or a similarly qualified person must replace it in order to avoid a hazard.

## Cleaning and Maintenance

### DESCALING

Always ensure that the kettle is disconnected from the mains before descaling. Scaling or furring is a common problem in hard water areas.

- 1) Fill the kettle to MAX position and boil the water. Remove the kettle from the power socket and the base unit and place it in an empty sink or bowl.
- 2) Add 50 grams of Citric Acid (Available from Chemists) or other descaler products (available at supermarkets) to the water or as directed.
- 3) Leave it to stand for approximately 5 minutes or until the effervescence subsides, and then empty

the water. Rinse thoroughly, and wipe the outside of the kettle with a soft damp cloth.

- 4) Ensure the kettle and electrical connections are completely dry before using the kettle.

Ensure that you descale your filter at regular intervals to avoid impairing the pouring performance of your kettle.

- Always disconnect the plug from the mains before cleaning the kettle and base. Wipe the kettle and base with a moist cloth. Never use an aggressive scourer, steel wool or strong chemical cleaners.
- Descale the kettle regularly. This will depend on the hardness of the water and the frequency of use. Scale build up will significantly reduce the heating efficiency of the kettle.
- Use of a proprietary descaler for kettles is recommended. Follow the instructions provided carefully.

### Disposal and the Environment

If your electrical appliance requires replacement or is of no further use, please think of protecting the environment. Contact your local authority for advice as many have facilities for environmentally safe disposal

## Trouble Shooting Guide

Problem	Reason	Action	Pre-caution
<b>Kettle is leaking water</b>	May be condensation	This is normal if boiled a number of times in succession	This kettle is for household use only.
	Kettle is over filled	Pour out water to MAX level.	If overfilled water can eject from the kettle resulting in a hazard
	Switch is sticking	Ensure switch button is clean.	Keep appliance away from cooking splatter.
<b>Kettle does not work</b>	Household socket is off.	Switch on household socket	Ensure water covers the element before operating.
	Household socket is not working	Check the socket with another appliance	Appliance must be of similar wattage to prevent overloading.
	Kettle is not seated on base correctly.	Seat kettle on base correctly	Your life of the kettle will be reduced if not seated on base correctly.
<b>Kettle trips mains power supply</b>	Overloaded circuit.	Unplug all appliances attached to the same circuit.	Note that there can be up to 5 household plug sockets on 1 circuit.
<b>Kettle takes too long to boil</b>	Element has lime scale deposits.	Descal element using a proprietary descaler or citric acid solution. If not successful then a new element may be required.	Kettles with scale will have a reduced lifespan. Clean the scale regularly.
<b>Kettle works intermittently</b>	Element has lime scale deposits.	Descal element using a proprietary descaler or citric acid solution. If not successful then a new element may be required.	Kettles with scale will have a reduced lifespan. Clean the scale regularly.
<b>Kettle is rusting on outside</b>	Steam deposit has oxidised and turned into an orange colour.	Wipe your kettle after each use to keep dry. Polish stainless steel occasionally.	Keeping any appliance clean at all time will extend the life of the product.
<b>Element is rusting. Rust spots on element.</b>	Water deposits on the element. Some areas have water that will result in orange or brown stains.	Some stains are stubborn and a descaler may not be effective. This should not affect function.	Use distilled water.
<b>Kettle does not switch off automatically</b>	Lid not positioned correctly or is off.	Place lid on the kettle securely.	Ejecting steam from the spout or lid can be a hazard

creative housewares

27 Nourse Avenue Epping 2 Cape Town  
 P.O. Box 975 Eppindust 7475 South Africa  
 Tel: +27 21 534 8114 Fax: +27 21 534 8086  
 Service Centre Share Call: 086 111 5006  
 web: www.creativehousewares.co.za

## Free Manuals Download Website

<http://myh66.com>

<http://usermanuals.us>

<http://www.somanuals.com>

<http://www.4manuals.cc>

<http://www.manual-lib.com>

<http://www.404manual.com>

<http://www.luxmanual.com>

<http://aubethermostatmanual.com>

Golf course search by state

<http://golfingnear.com>

Email search by domain

<http://emailbydomain.com>

Auto manuals search

<http://auto.somanuals.com>

TV manuals search

<http://tv.somanuals.com>