

mellerware[®]

makes life easier

FAHRENHEIT
cordless
kettle



Dual water
level indicator

Automatic
switch off

Boil dry
safety cut out
switch



complies with
INTERNATIONAL
IEC60335
SAFETY SPECIFICATIONS

m
1850-
2200W

2 YEAR
GUARANTEE

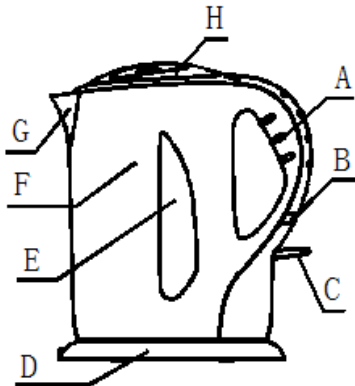
Model:
22751



Dear customer,
Many thanks for choosing to purchase a Mellerware brand product. Thanks to its technology, design and operation and the fact that it exceeds the strictest quality standards, a fully satisfactory use and long product life can be assured.

Description

- A. Handle
- B. Power indicator light
- C. On/Off Switch
- D. Corded base
- E. Water Level Window
- F. Body
- G. Spout
- H. Lid



IMPORTANT SAFETY INSTRUCTIONS:

When using electrical appliances, the following safety precautions should always be followed to reduce the risk of electric shock, personal injury and fire. Read all these instructions carefully before using, and save for future reference or new users.

1. This appliance is not intended for use by persons (including children) with reduced physical, sensory or mental capabilities, or lack of experience and knowledge, unless they have been given supervision or instruction concerning use of the appliance by a person responsible for their safety.
2. Children should be supervised to ensure that they do not play with the appliance.
3. Do not operate the appliance with a damaged power supply cord or plug or after the appliance malfunctions, or is dropped or damaged in any manner. Return the product to the nearest authorized service center for examination, repair or mechanical adjustment.
4. To protect against electric shock, never immerse any appliance, the mains lead or plug in water or any other liquid.
5. Never reach for any appliance that has fallen into water. Switch off the power at the mains immediately and unplug. Do not re-use.
6. Avoid placing the appliance where the power cord may accidentally get caught or the appliance may be knocked into a sink.
7. Ensure hands are dry before operating the switch or turning off at the mains.
8. Ensure the appliance is switched OFF before connecting to the mains power supply.
9. Do not touch hot surfaces, use handle to pick up.
10. Do not carry the appliance by the cord or pull the cord to remove the plug from the socket.
11. Do not operate this appliance with a damaged cord or plug. A

qualified electrician should carry out repairs.

12. If the appliance stops unexpectedly or appears to malfunction, unplug from the mains and discontinue use immediately.
13. Never leave the appliance unattended when connected to the mains power supply.
14. Unplug from the mains socket when not in use and before cleaning or changing accessories.
15. Keep the appliance and cable away from sources of heat, sharp objects or anything that may cause damage.
16. Keep all ventilation slots clear of debris and do not cover. Never drop or insert objects into the openings.
17. Do not use outdoors. This appliance is designed for domestic household use only.
18. Only use the appliance as described in this booklet.

ADDITIONAL WARNINGS FOR KETTLES:

1. The kettle is fitted with a dry-operation cut-out, that switches off the kettle if it has boiled dry. If this happens allow the kettle to cool down for approximately 15 minutes, and then fill the kettle with cold water. This will reset the cut-out so that the kettle can be used again.
2. Do not overfill. Check the water level gauge when filling.
3. Ensure the lid is closed properly before switching on, to prevent water splashing out when boiling. Do not open the lid while the kettle is boiling.
4. After the kettle has boiled it may need a few minutes to cool down before re-boiling.
5. Take care when pouring. Pour slowly and do not over-tilt.
6. Make sure the kettle is always used on a flat surface.
7. Water will remain hot for a considerable amount of time after boiling and will present a scalding hazard. Take care and keep away from children.
8. The outside surface of the kettle will become hot during use. To avoid injuries only use the handle.
9. Take care to avoid contact with the steam coming from the lid or spout.

HOW TO OPERATE YOUR KETTLE

It is important that you read these instructions before using your kettle for the first time.

1. Open the lid of the kettle by pressing the flip-up lid button, fill with water to the desired level. (min. capacity is 0.5L and max. capacity is 1.7L). In hard water areas, using purified or filtered water is recommended to reduce the amount of scale build up in the kettle.
2. Close the lid by pressing it down until it clicks into place. Place the kettle on a flat surface and plug into the mains.
3. To switch on the kettle, press the On/Off switch down. The power indicator light will now be on. When the water has boiled the kettle will automatically switch off. You can stop the kettle at any time by pressing the On/Off switch up.
4. Pour slowly and carefully. If you wish to re-boil, please allow a few minutes for the kettle to cool down.

PRODUCT SPECIFICATION:

Voltage: 220v - 240v
Power: 1850 - 2200W
Water capacity: Minimum 0.5L – Maximum 1.7L

Warning: If the kettle has just boiled it will be full of steam that will escape if the lid is opened.

IMPORTANT: Do not open the lid when steam is coming out of the spout. Before pouring or filling always remember to disconnect from electricity.

Note:

1. If the kettle is switched on when empty or with insufficient water, then the kettle will switch off automatically to protect against dry boiling. Wait until the heating element cools down, refill with tap water and use as normal. This protection function is not designed



for regular use, as it will shorten the life span of the element.

2. If the kettle is overfilled, boiling water may be ejected.
3. The appliance must not be immersed during cleaning.
4. If the power supply cord is damaged, the manufacturer or its service agent or a similarly qualified person must replace it in order to avoid a hazard.

Descaling

Always ensure that the kettle is disconnected from the mains before descaling. Scaling or furring is a common problem in hard water areas. It is recommended that a propriety descaler is used whenever scale deposits build up. The instructions supplied with the

descaler must always be followed. Scale build up may result in the kettle switching off before boiling. Using a water purifier will help to reduce scale build-up. Ensure that you descale your filter at regular intervals to avoid impairing the pouring performance of your kettle.

GUARANTEE

We guarantee that this product has been thoroughly inspected and tested before being despatched and is free from mechanical and

electrical defects. Should defects due to faulty material or workmanship develop within 2 years from date of purchase, under normal domestic use, the appliance will be repaired free of charge.

Note: If this product is used commercially the guarantee is limited to 90 days. Kindly retain your purchase slip for this product as it must be presented if making a claim under the terms of the guarantee. If such proof is not available the product shall be deemed to be older than two years and a charge for service and \ or spares will be applicable. Should your appliance require attention or appear not to be operating properly, please take it to the store where it was purchased, together with all parts and your purchase slip. This guarantee does not cover wear and tear or damage caused by overloading, negligence, accidental or improper use.

Any changes or attempted repair will invalidate the guarantee.

SERVICE

If service becomes necessary within the guarantee period the appliance should be returned to the store where purchased.

Service outside the guarantee period is still available but a fee for postage, parts and labour will be chargeable.


Trouble Shooting Guide

Problem	Reason	Action	Pre-caution
Kettle is leaking water	Could be condensation	This is normal if boiled a number of times in succession	This kettle is for household use only.
	Kettle is over filled	Pour out water to MAX level.	If overfilled water can eject from the kettle resulting in a hazard
	Switch is sticking	Ensure switch button is clean.	Keep appliance away from cooking splatter.
Kettle does not work	Household socket is off.	Switch on household socket	Ensure water covers the element before operating.
	Household socket is not working	Check the socket with another appliance	Appliance must be of similar wattage to prevent overloading.
	Kettle is not seated on base correctly.	Seat kettle on base correctly	The life of the kettle will be reduced if not seated on base correctly.
Kettle trips mains power supply	Overloaded circuit.	Unplug all appliances attached to the same circuit.	Note that there can be up to 5 household plug sockets on 1 circuit.
Kettle takes too long to boil	Element has lime scale deposits.	Descale element using a proprietary descaler or citric acid solution. If not successful then a new element may be required.	Kettles with scale will have a reduced lifespan. Clean the scale regularly.
Kettle works intermittently	Element has lime scale deposits.	Descale element using a proprietary descaler or citric acid solution. If not successful then a new element may be required.	Kettles with scale will have a reduced lifespan. Clean the scale regularly.
Kettle is rusting on outside	Steam deposit has oxidised and turned into an orange colour.	Wipe your kettle after each use to keep dry. Polish stainless steel occasionally.	Keeping an appliance clean at all times will extend the life of the product.
Element is rusting. Rust spots on element.	Water deposits on the element. Some areas have water that will result in orange or brown stains.	Some stains are stubborn and a descaler may not be effective. This should not affect function.	Use distilled water.
Kettle does not switch off automatically	Lid not positioned correctly or is off.	Place lid on the kettle securely.	Ejecting steam from the spout or lid can be a hazard




creative housewares

 20 Tekstiel Street, Parow, Cape Town, 7493, South Africa

 P.O. Box 6156 Parow East, 7501, South Africa

 +27 21 931 8117  +27 21 931 4058

Service Centre Helpline: 086 111 5006

 www.creativehousewares.co.za

Free Manuals Download Website

<http://myh66.com>

<http://usermanuals.us>

<http://www.somanuals.com>

<http://www.4manuals.cc>

<http://www.manual-lib.com>

<http://www.404manual.com>

<http://www.luxmanual.com>

<http://aubethermostatmanual.com>

Golf course search by state

<http://golfingnear.com>

Email search by domain

<http://emailbydomain.com>

Auto manuals search

<http://auto.somanuals.com>

TV manuals search

<http://tv.somanuals.com>