

mellerware[®]

makes life easier

TITANIUM
steam
iron



Titanium soleplate

Steam burst and
vertical steam

Anti-calc and
Anti-drip function

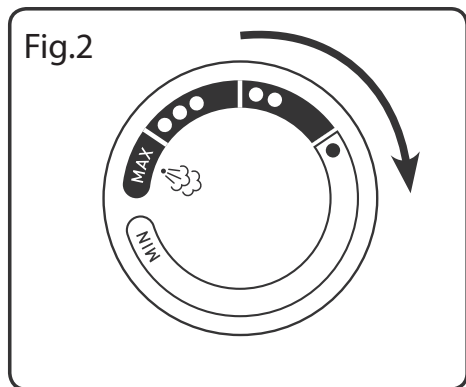
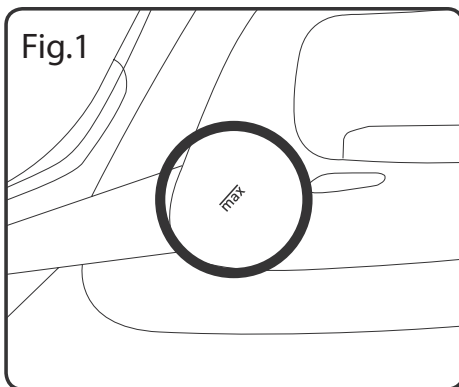
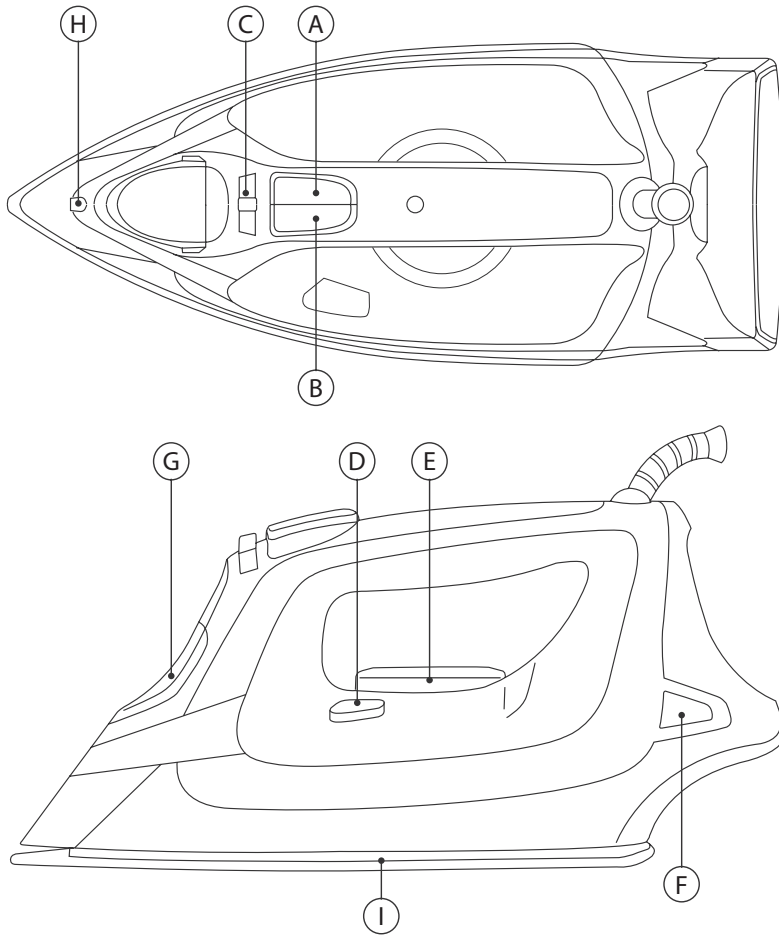


complies with
INTERNATIONAL
IEC60335
SAFETY SPECIFICATIONS

m
2600W

2 YEAR
GUARANTEE

Model:
23260





Description of parts:

- A Spray button
- B Steam blast button
- C Steam regulator control
- D Auto-cleaning button
- E Temperature regulator
- F Pilot light
- G Fill-up opening
- H Spray nozzle
- I Soleplate

Safety advice and warnings

Read these instructions carefully before switching on the appliance and keep them for future reference. Failure to follow and observe these instructions may result in an accident.

- Use or working environment:
- Keep children and bystanders away when using this appliance.
- The appliance should be used and kept over a flat and stable surface.

Electric safety:

- Do not use the appliance if the cable or plug is damaged.
- Ensure that the voltage indicated on the rating label matches the mains voltage before plugging in the appliance.
- Connect the appliance to an earthed wall socket.
- The appliance's plug must fit into the wall socket properly.
- Do not alter the plug. Do not use plug adaptors.
- If any of the appliance casings breaks, immediately disconnect the appliance from the mains to prevent the possibility of an electric shock.
- Do not use the appliance if it has fallen on the floor, if there are visible signs of damage or if it has a leak.
- Never use the electric wire to lift up, carry or unplug the appliance.
- Do not wrap the cable around the appliance.
- Do not allow the connection cable to come into contact with the appliance's hot surfaces.
- If using the appliance outdoors, use a suitable cord extension.
- Do not touch the plug with wet hands.

Personal safety:

- Do not touch metal parts of the iron while it is

in use, as it may cause serious burns.

- The temperature of the accessible surfaces may be high when the appliance is in use.
- Use and care:
- Fully unroll the appliance's power cable before each use.
- Use the appliance handle/s, to move it.
- Do not turn the appliance over while it is in use or connected to the mains.
- To keep the non-stick treatment in good condition, do not use metal or pointed utensils on it.
- Respect the MAX level indicator(Fig. 1)
- Disconnect the appliance from the mains when not in use and before undertaking any cleaning task.
- Unplug the appliance from the mains before refilling the water tank.
- This appliance is for household use only, not professional or industrial use.
- This appliance is not intended for use by persons (including children) with reduced physical, sensory or mental capabilities or lack of experience and knowledge, unless they have been given supervision or instruction concerning the use of the appliance by a person responsible for their safety.
- Children should be supervised to ensure that they do not play with the appliance.
- Cleaning and user maintenance shall not be made by children unless they are supervised
- Keep the appliance and its cable out of reach of children
- This appliance is not a toy.
- Children should be supervised to ensure that they do not play with the appliance.
- This appliance should be stored out of reach of children.
- Do not put the appliance away if it is still hot.
- Do not store or transport the appliance if it is still hot.
- To ensure that the iron functions correctly, keep the iron face smooth and do not hit it against metallic objects(for example, the ironing board, buttons, zips...)
- The use of distilled water is recommended, especially if the water in your area contains any type of grit or is "hard" (contains calcium or magnesium).
- The water fill-up opening must not be left open while the iron is being used.
- Never leave the appliance unattended while in use.





- Never leave the appliance connected and unattended if it is not in use. This saves energy and prolongs the life of the appliance.
- Do not use the appliance on any part of the body of a person or animal.
- Do not use the appliance to dry textiles of any kind.
- **CAUTION:** Do not leave this appliance unattended if it is switched on.
- Turning the thermostat control to the minimum (MIN) setting does not mean that the iron is switched off permanently.

Service:

- Make sure that the appliance is serviced only by specialist personnel, and that only original spare parts or accessories are used to replace existing parts/accessories.
- Any misuse or failure to follow the instructions for use renders the guarantee and the manufacturer's liability null and void.

Instructions for use

Before use:

Remove the appliance's protective film.

- Make sure that all the product's packaging has been removed.
- Some parts of the appliance have been lightly greased.
- Consequently, the first time the appliance is used a light smoke may be detected.
- Prepare the appliance according to the function you wish to use.

Filling with water:

- It is essential to have filled the deposit with water to be able to work with steam.
- Open the lid of the filling mouth.
- Fill the deposit taking care to observe the MAX level(Fig. 1)
- Close the lid of the filling mouth.

Use:

- Unroll the cable completely before plugging it in.
- Connect the appliance to the mains.
- Turn the thermostat control to the desired temperature position.
- Do not use temperatures higher than those indicated on the garments to be treated.

Setting	Type of textile
•	Synthetics, Nylon, Acrylics, Polyester, Rayon
••	Wool, Silk
•••	Cotton, Linen
MAX	Linen

- If garment has various kinds of fibres, select the temperature for the fibre that requires the lowest temperature.
- (For example, select the temperature for polyester for an article made out of 60% polyester and 40% cotton).
- Wait until the pilot light (F) has gone out which will indicate that the appliance has reached an adequate temperature.
- During use the pilot light (F) will automatically flash on and off, thus indicating that the heating elements are operating in order to maintain the desired temperature.

Dry ironing:

- The appliance has a steam flow regulator that permits dry ironing (without steam) when placed in the 0 position.

Steam Ironing:

- It is possible to iron with steam whenever the deposit is filled with water and the adequate temperature is selected.

Steam flow control:

- The appliance has a (C) control knob that allows to get the control of the steam flow.

Spray:

- The spray can be used in both steam and dry ironing.
- Press the spray button (A) to use this operation.
- The spray button has to be pressed repeatedly to release the first spray.

Steam blast:

- This function proportions extra steam for eliminating wrinkles.
- Press the steam blast button (B). Wait a few seconds until vapour penetrates the fibres of the garment before pushing the button again.
- For optimum steam quality, do not apply more



than three successive blasts.

- The spray button has to be pressed repeatedly to release the first spray.

Vertical steaming

It is possible to iron hanging curtains, items of clothing on a hanger, etc. To do so, follow the instructions:

- Select the maximum temperature of the iron, while turning the temperature regulator of the iron in a clockwise direction. (Fig 2)
- Move the iron in a top to bottom direction while pressing the steam control (B). Important: for cotton and linen, it's recommended to put the iron base in contact with the material.
- For other more delicate fibres, it's recommended to keep the iron base a few centimetres away.

Once you have finished using the appliance:

- Select the minimum position (MIN) using the thermostat control.
- Unplug the appliance to the mains.
- Remove the water from the water tank.
- Clean the appliance

Cleaning

- Disconnect the appliance from the mains and let it cool before undertaking any cleaning task.
- Clean the equipment with a damp cloth with a few drops of washing-up liquid and then dry.
- Do not use solvents, or products with an acid or base pH such as bleach, or abrasive products, for cleaning the appliance.
- Do not submerge the appliance in water or any other liquid, or place it under a running tap.

Self-cleaning function:

- It is important to self-clean the appliance at least once a month to remove calcium and any other built-up minerals inside the iron.
- Fill the depository to its maximum level, as indicated on "water fill" section.
- Place the iron in a vertical position, plug in to the mains and select the maximum temperature.
- Leave the appliance to heat up until the pilot light indicates that it has reached its consigned temperature.
- Unplug the appliance and place in the sink.

- Press the self-clean button, and keep it pressed down.
- Let the water flow out through the steam vents in the base, while lightly shaking the appliance.
- Release the button after a minute or when the tank becomes empty.
- Leave the iron in the vertical position until it has cooled.

Anomalies and repair

- Take the appliance to an authorised technical support service if problems arise. Do not try to dismantle or repair without assistance, as this may be dangerous.
- If the connection to the mains has been damaged, it must be replaced and you should proceed as you would in the case of damage.





creative housewares

 20 Tekstiel Street, Parow, Cape Town, 7493, South Africa
 P.O. Box 6156 Parow East, 7501, South Africa
 +27 21 931 8117  +27 21 931 4058
Service Centre Helpline: 086 111 5006
 www.creativehousewares.co.za

Free Manuals Download Website

<http://myh66.com>

<http://usermanuals.us>

<http://www.somanuals.com>

<http://www.4manuals.cc>

<http://www.manual-lib.com>

<http://www.404manual.com>

<http://www.luxmanual.com>

<http://aubethermostatmanual.com>

Golf course search by state

<http://golfingnear.com>

Email search by domain

<http://emailbydomain.com>

Auto manuals search

<http://auto.somanuals.com>

TV manuals search

<http://tv.somanuals.com>