

mellerware®

PROGLIDE STEAM IRON



complies with
INTERNATIONAL
IEC60335
SAFETY SPECIFICATIONS

m
2400W
max

2 YEAR
GUARANTEE

Model:
23600A

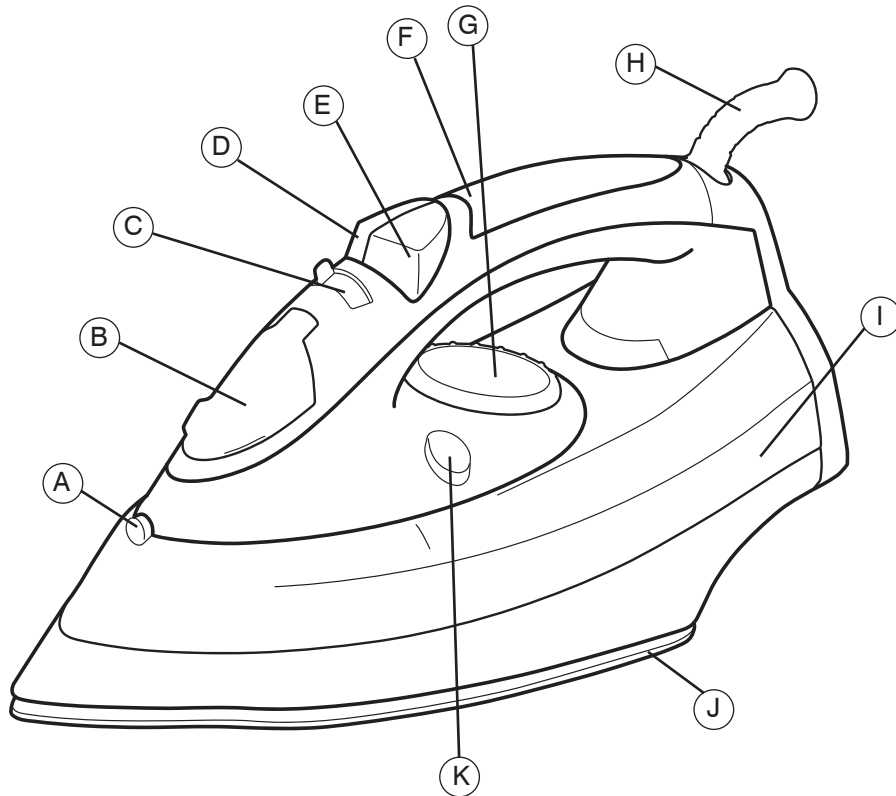
PLEASE READ ALL INSTRUCTIONS BEFORE USE

2 year guarantee



Dear Customer,

Thank you for purchasing a MELLERWARE household appliance. Its technology, design, and functionality, along with complying to the strictest quality standards, will be a source of satisfaction for a long time to come. Please read this instruction manual carefully and familiarize yourself with your new steam iron. Please retain this manual for future reference.



Parts Description:

- A. Spray nozzle
- B. Water filling inlet
- C. Variable steam control
- D. Burst of steam button
- E. Spray button
- F. Soft touch grip
- G. Temperature control dial
- H. Power cord protector
- I. Water tank
- J. Ceramic soleplate
- K. Self-cleaning button





IMPORTANT SAFEGUARDS:

When using your iron, basic safety precautions should always be followed:

- Make sure the voltage used corresponds with that indicated on the rating label.
- Use the iron only as described in this instruction manual.

Close supervision is necessary when any appliance is used near children. Do not leave iron unattended while plugged in or on an ironing board. Burns can occur from touching hot metal parts, hot water or steam.

- This appliance is not intended for use by persons (including children) with reduced physical, sensory or mental capabilities, or lack of experience and knowledge, unless they have been given supervision or instruction concerning use of the appliance by a person responsible for their safety. Children should be supervised to ensure that they do not play with the appliance.”
- The iron should never be left unattended while it is connected to the wall socket.
- Unplug the iron from the wall socket before:
 - 1) Cleaning
 - 2) Filling with water or emptying the water tank
 - 3) Immediately after use
- Never operate the iron with a damaged power cord or plug, or if it is damaged in any way. To avoid the risk of electric shock, do not disassemble the iron. Take it to your nearest approved service centre for repair.
- Do not let the power cord touch hot surfaces.
- To protect against electric shock, do not immerse the iron in water or any other liquid.
- The iron must be used and rested on a stable surface.
- Do not use the iron if there are visible signs of damage or if it is leaking.

BEFORE FIRST USE:

- It is normal for a small amount of smoke to be released on first use, this will quickly disappear.

- When using the steam function for the first time, do not direct the steam towards the laundry, as there could be debris from the steam vents.

Filling with water:

- Make sure that both the variable steam control and temperature control dial are in the “OFF” position.
- Hold the iron upright so that the water-filling inlet is in a horizontal position.
- Pour water through the water filling inlet until the water reaches the “MAX” mark indicated on the side of the iron, and never fill above this mark.

Setting the temperature:

Follow the ironing instructions on the garment label. If there are no instructions but you do know the kind of fabric, please consult the table below.

Note: If the fabric consists of various kinds of fabrics, always select the temperature required by the most delicate fabric.

FABRIC	TEMP. CONTROL	TEMP. REQUIREMENT
Synthetic	•	Low temperature
Silk, wool	••	Medium temperature
Cotton, linen	•••	High temperature

Steam ironing:

- Place the iron in a vertical position and set the temperature control dial to the “MIN” heat setting.
- Insert the plug into the wall socket, and then turn the temperature control dial to the “MAX” heat setting. The pilot light will illuminate, indicating that the iron is heating up.
- When the pilot light switches off, the selected temperature has been reached and the iron is ready to use.
- During ironing, the pilot light will switch on/off automatically as the thermostat maintains the selected temperature.
- Turn the variable steam control to the desired position.





- Steam is produced as soon as the iron is held horizontally.

Spraying:

- Press the spray button to spray water on the clothes, as often as required.

Note: When using the water spray function, ensure that there is enough water in the water tank. You may have to pump the spray button several times when using for the first time.

Burst of steam:

- Push the burst of steam button to generate a powerful burst of steam that can penetrate fabrics and smooth the most difficult creases. Wait for a few seconds before pressing again.
- By pressing the burst of steam button at intervals you can also iron vertically (curtains, hanging garments, etc.)

Note: The burst of steam function can only be used at the "MAX" temperature setting. Only use this function when the pilot light turns off.

Dry ironing:

When ironing without steam, follow the "steam ironing" section. Ensure that the variable steam control remains in position "O" (no steam).

Self-cleaning:

The self-cleaning feature cleans inside the soleplate, removing impurities. We recommend using this function every 10-15 days.

- Set the variable steam control to position "O" (no steam).
- Fill the water tank to maximum level.
- Set the temperature control dial to "MAX" and wait for the pilot light to switch off.
- Remove the plug from the wall socket and press the self-cleaning button until the boiling water, steam and impurities escape.
- When the soleplate has cooled down, you can clean it with a damp cloth

How to clean and store:

- After using, remove the plug from the wall

socket, lift the iron with the filling hole downwards to empty the remaining water from the water tank.

- Insert the plug into the wall socket, and set the temperature control dial to "MAX" for 1-2 minutes to evaporate the remaining water, and then unplug the iron and let it cool down before storing it.

ATTENTION:

The iron must not be left unattended while it is connected to the wall socket. If the power cord is damaged, contact your nearest authorized service center for repair.

In case of any repairs or replacement of the power cord or plug, contact your nearest authorized service center for repair.

Note:

- This appliance is not intended for use by persons (including children) with reduced physical, sensory or mental capabilities, or lack of experience and knowledge, unless they have been given supervision or instruction concerning use of the appliance by a person responsible for their safety.
- Children should be supervised to ensure that they do not play with the appliance.
- The iron must not be left unattended while it is connected to the wall socket.
- The plug must be removed from the wall socket before the water tank is filled with water.
- The filling aperture must not be opened during use. Instructions for the safe refilling of the water tank is given.






TROUBLE SHOOTING


Problem	Reason	Action	Pre-caution
Iron is leaking water.	Temperature is too low	Set the temperature to steam setting (cotton)	Check fabric type is suitable for high steam temperature
	Steam switch is on self clean function	Turn steam switch setting to steam or 0 position	Switch steam setting to 0 (off) after use or when filling tank.
	Tank is overfilled	Empty water tank	Fill to MAX mark only.
	Iron is in the horizontal position too long.	When adjusting item place iron down in the vertical position	If iron is left on the item in the horizontal position for too long it may burn the fabric.
Iron is not heating up	Temperature control dial is in the off position	Turn the temperature control dial to the desired temperature setting.	Check temperature setting is suitable for fabric type.
	Household socket is off.	Switch on household socket	Ensure iron is in the upright position.
	Household socket is not working	Check the socket with another appliance	Appliance must be of similar wattage to prevent overloading.
Iron is tripping mains	Overloaded circuit.	Unplug all appliances attached to the same circuit and check iron.	Note that there can be up to 5 household plug sockets on 1 circuit.
Iron sticking to clothing	Temperature is too hot	Turn down temperature on control dial. Clean and rinse item.	Check temperature setting is suitable for fabric type.
	Clothing is dirty or not rinsed thoroughly.	Use spray function to dampen item and check temperature is correct.	Use an old linen cloth to remove any trace of dirt on the soleplate. Use iron soleplate cleaner or methylated spirits for bad marks.
Creases not coming out	Item is too dry or temperature too low.	Use steam function.	Check temperature setting is suitable for fabric type.
Not Enough Steam	The steam control is off or set too low.	Set the steam button/switch to on or full.	Ensure temperature control dial is set to the 3 dot position for steaming.
	The iron temperature is too low.	Set temperature control dial to MAX or 3 dot position for steaming.	Check temperature setting is suitable for fabric type.
	The steam valve is blocked due to water scale.	If your iron is fitted with a self clean function carry out cleaning as per instructions.	Use distilled or demineralised water in your iron to prevent blocking.








creative housewares

 20 Tekstiel Street, Parow, Cape Town, 7493, South Africa

 P.O. Box 6156 Parow East, 7501, South Africa

 +27 21 931 8117  +27 21 931 4058

Service Centre Share Call: 086 111 5006

 www.creativehousewares.co.za



Free Manuals Download Website

<http://myh66.com>

<http://usermanuals.us>

<http://www.somanuals.com>

<http://www.4manuals.cc>

<http://www.manual-lib.com>

<http://www.404manual.com>

<http://www.luxmanual.com>

<http://aubethermostatmanual.com>

Golf course search by state

<http://golfingnear.com>

Email search by domain

<http://emailbydomain.com>

Auto manuals search

<http://auto.somanuals.com>

TV manuals search

<http://tv.somanuals.com>