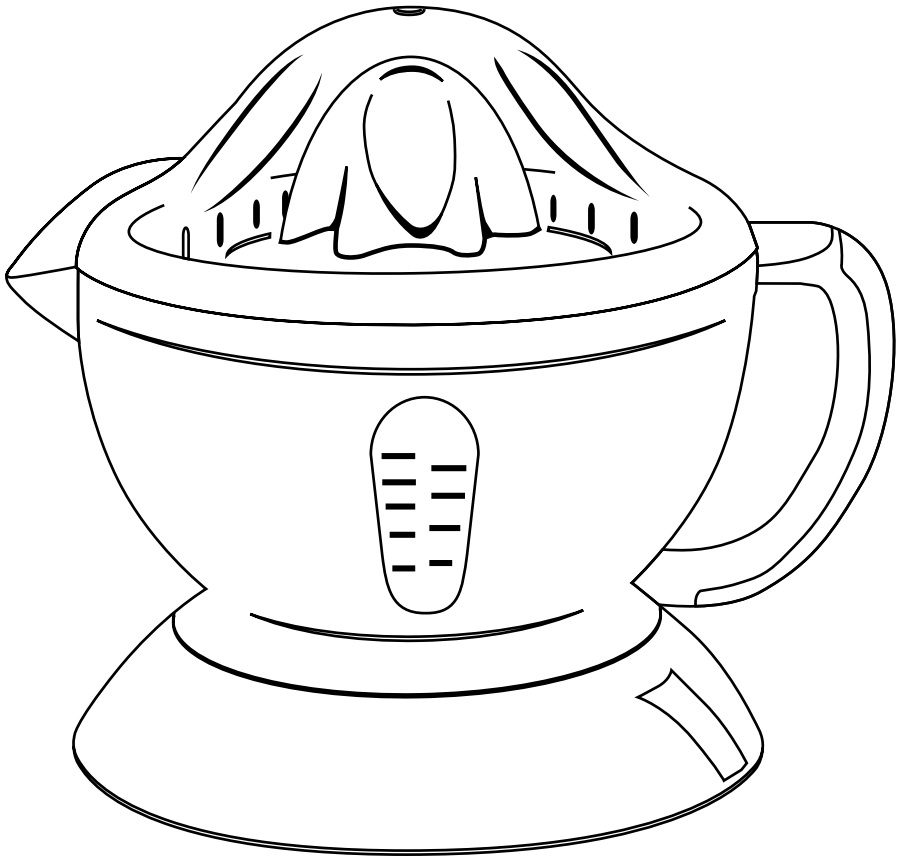


# mellerware®

CONTEMPORARY

TC-700 Citrus Juicer



complies with  
SABS  
IEC335  
SAFETY STANDARDS



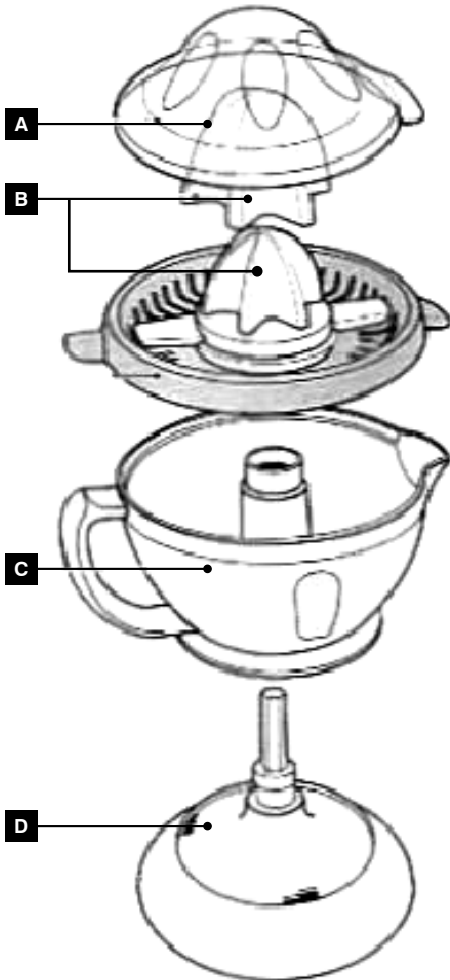
Model:  
26105

**PLEASE READ ALL INSTRUCTIONS BEFORE USE**

**2 year guarantee**

## KEY and CHARACTERISTICS

- A. Protective Lid
- B. Large/small cone
- C. Tank
- D. Motor base



## IMPORTANT SAFETY INSTRUCTIONS:

Please read this instructions pamphlet carefully before using your appliance and save for future use.

1. Unpack it completely and check that it is in perfect condition and functioning well.
2. Make sure that the voltage for the outlet conforms to the markings on the appliance.
3. This appliance has been specifically designed to be used by adults. Do not allow children or handicapped persons to use it without adult supervision.
4. This device has been designed for household use, not for commercial use.
5. Do not use the device for any other purposes than those defined in this brochure.
6. Do not use the device in a continuous manner for over 7 minutes.
7. Refrain from using this device when the plug or the wire is damaged, or else if it fails to operate properly following a fall or if it is damaged, or else if it has fallen into water. In such cases take the device to an authorized repair agent to be inspected or repaired.
8. Do not allow the cable to hang over the edge of a table where it can easily be caught.
9. Do not let the wire or the appliance come into contact with a warm surface where it can burn.
10. Refrain from using accessories that are not sold jointly with this device.
11. Unwind the cord completely before using the appliance.
12. The supplier is not liable for any damages incurred as a result of improper use of the appliance.

## DIRECTIONS FOR USE:

Further to checking the voltage, plug the appliance in to the mains.

### Squeezer mode:

1. Take the lid of the juicer off. (Fig. 1)



Fig. 1

2. Select the large or small cone depending on the size of the fruit to be juiced.
3. Cut the citrus fruits in half and apply them by successfully pressing them onto the filter cone (Fig. 2). The device will start automatically.



Fig. 2

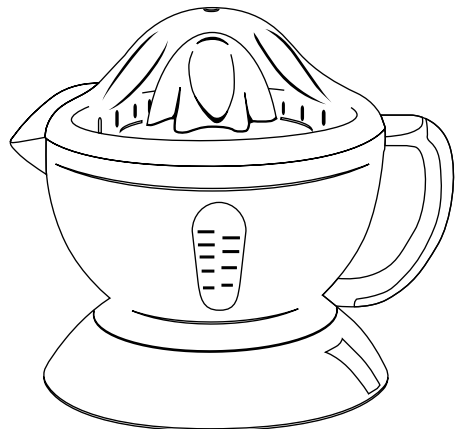
4. When the fruit is removed from the cone, the device will also stop automatically.
5. The plug cable can be stored in the housing included for that purpose in the motor base.
6. This housing allows the cable length to be limited to the length necessary to reach the electric socket.

## CLEANING:

1. The juice container lid, the cones and the juice container can be easily detached from the motor base.
2. The tank is separated from the motor base with a small turn counterclockwise.
3. They can be cleaned easily with cold water under the tap and a little detergent.
4. It is recommended that these elements be cleaned immediately after use.
5. The motor base should never be immersed in water, nor exposed to a direct flow of water under the tap.
6. It can be cleaned with a lightly moistened cloth.
7. Refrain from using sharp objects near the device to remove trapped fragments of foodstuffs as you might damage the surface. Do not use solvents or abrasive products to clean it.

## SERVICE OR REPAIRS:

Servicing and repairs can only be done by an authorized repair agent. To find an authorized repair agent near you, please contact the supplier.



creative housewares

Service Centre Share Call: 086 111 5006

web: [www.creativehousewares.co.za](http://www.creativehousewares.co.za)

## Free Manuals Download Website

<http://myh66.com>

<http://usermanuals.us>

<http://www.somanuals.com>

<http://www.4manuals.cc>

<http://www.manual-lib.com>

<http://www.404manual.com>

<http://www.luxmanual.com>

<http://aubethermostatmanual.com>

Golf course search by state

<http://golfingnear.com>

Email search by domain

<http://emailbydomain.com>

Auto manuals search

<http://auto.somanuals.com>

TV manuals search

<http://tv.somanuals.com>