

mellerware®

E X E C U T I V E
S L I C E S U P R E M E



complies with
INTERNATIONAL
IEC60335
SAFETY SPECIFICATIONS

m
150W

2 YEAR
GUARANTEE

Model:
26601

PLEASE READ ALL INSTRUCTIONS BEFORE USE

2 year guarantee

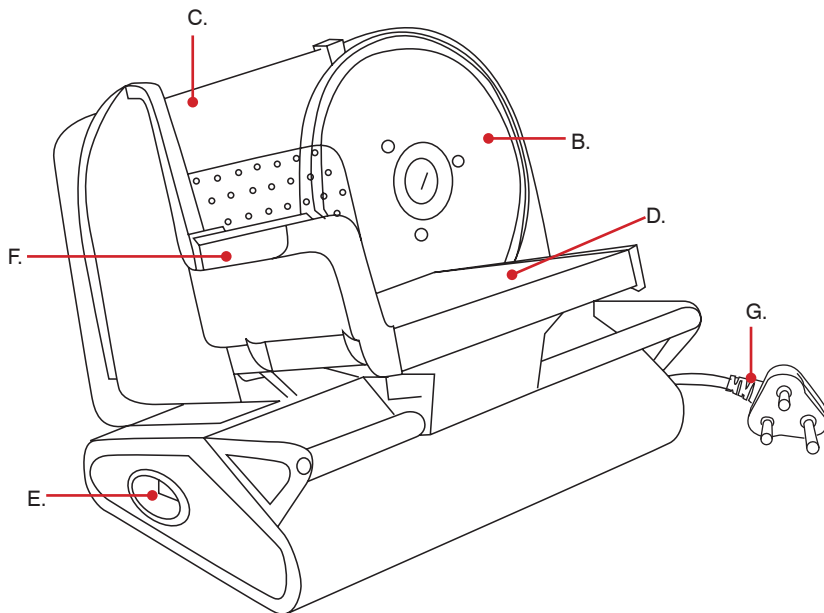
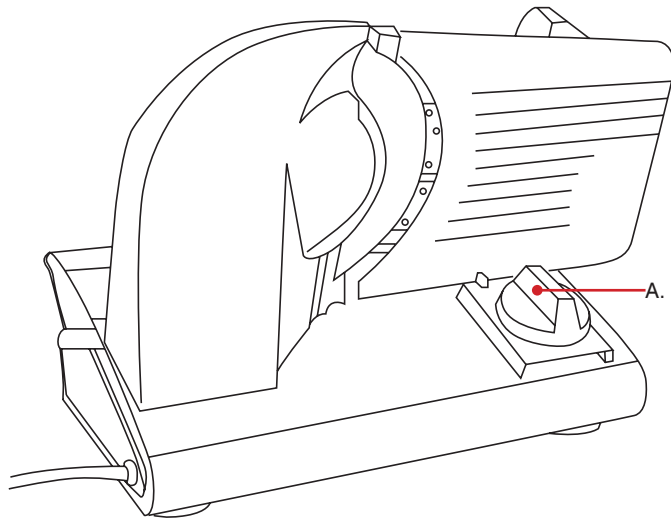


Dear customer,

Thank you for choosing a Mellerware product. Due to its technology, design, operation and the fact that it exceeds the strictest quality standards, we assure you that it will deliver satisfactory performance and product durability.

Description

- A - Thickness control dial
- B - Blade
- C - Upper support platform
- D - Lower support platform
- E - On/off button
- F - Food Pusher
- G - Plug





Safety advice and warnings

- Read these instructions carefully before switching on the appliance and keep them for future reference. Failure to follow these instructions may result in an accident.
- Clean the product as indicated in the cleaning section before use.

Working environment:

- Keep the working area clean and well lit. Cluttered and dark areas invite accidents.
- Keep children and bystanders away when using this appliance.
- Place the appliance on a horizontal, flat and stable surface.

Electrical safety:

- Do not use the appliance if the cable or plug is damaged.
- Ensure that the voltage indicated on the rating label corresponds with the wall socket voltage before plugging in the appliance.
- The appliance's plug must fit into the wall socket properly. Do not alter the plug. Do not use plug adaptors.
- Do not use or store the appliance outdoors.
- Never use the power cord to lift up, carry or unplug the appliance.
- Always ensure that the power cord is in a safe working condition. Damaged or tangled cords increase the risk of electric shock.
- Do not touch the plug with wet hands.
- Do not operate this appliance with wet hands.

Personal safety:

- Avoid any possible distractions when using this appliance as it may result in loss of concentration which could lead to injury.
- Do not use it when tired or under the influence of drugs, alcohol or medication. The smallest distraction during the use of this type of appliance may result in serious injury.
- Before operating this appliance always ensure that the cutting blade, as well as other components, are securely attached to the appliance.
- Do not touch any of the appliance's moving parts

while it is operating.

- Exercise extreme caution when switching off this appliance, as the cutting blade will continue to rotate for a short period of time before coming to a complete rest.

Use and care:

- Do not use the appliance if the on/off switch does not work.
- Do not move the appliance while in use.
- Do not use this appliance for anything other than its intended use. Always ensure that the appliance is securely mounted on its rubber grip feet during use & storage.
- Disconnect the appliance from the wall socket when not in use and before undertaking any cleaning task.
- Always leave the upper support platform in position "0" after use, and before any cleaning operation.
- This appliance is for household use only, not professional or industrial use.
- This appliance is not a toy. Children should be supervised to ensure that they do not play with the appliance.
- This appliance is not intended for use by persons (including children) with reduced physical, sensory or mental capabilities, or lack of experience and knowledge, unless they have been given supervision or instruction concerning use of the appliance by a person responsible for their safety.
- This appliance should be stored out of reach of children and/or the disabled.
- Keep the appliance in good condition. Check that the moving parts are not misaligned or stuck and make sure there are no broken parts or anomalies that may prevent the appliance from operating correctly.
- Keep the cutting blade sharp and clean.
- To push the food item, always use the food pusher. Never use your fingers or other accessories.
- Never leave the appliance unattended while in use.
- Do not use the appliance for more than 10



minutes at any one time. Allow appliance to cool down for one hour before subsequent use.

- Do not use the appliance with frozen foods or food containing bones.
- Exercise extreme caution during the assembly and disassembly of the cutting blade as the teeth are extremely sharp and could cause serious harm.
- This appliance must be used with the sliding feed table and the piece holder in position unless this is not possible due to the size or shape of the food.
- Any misuse or failure to follow the instructions for use renders the guarantee and the manufacturer's liability null and void.

Instructions for use:

- Insert the plug into the wall socket.
- Place the food item on the lower support platform and attach the food pusher to the platform, which will hold the food item in place (Fig. 1).
- Adjust the thickness of the slice using the thickness control dial (Fig. 2).
- Switch the appliance on using the on/off button.
- Using the food pusher slide the food item towards the blade (Fig. 1).

Once you have finished using the appliance:

- Switch off the appliance.
- Remove the plug from the wall socket.
- Clean the appliance.

Cleaning

- Disconnect the appliance from the wall socket and allow it to cool down before undertaking any cleaning task.
- Clean the components using dish washing liquid and a damp cloth. Make sure all components are dry afterwards.
- Do not use solvents, or products with an acid or base pH such as bleach, or abrasive products, for cleaning the appliance.
- Do not submerge the appliance in water or any other liquid, or place it under a running tap.
- During the cleaning process, take special care with the cutting blade as the teeth are very sharp.
- It is advisable to clean the appliance regularly and

remove any food remains.

- If the appliance is not clean, its surface may degrade and reduce the lifespan of the appliance and become unsafe to use.

The following components may be washed in a dishwasher:

- Food pusher (may only be placed in the top section of the dishwasher)
- Lower support platform
- Cutting blade

To disassemble the blade:

- The cutting blade can be removed for cleaning. To do so, use a Phillip/Star screwdriver to loosen the three screws on the blade and take off the blade carefully. After cleaning, reattach the cutting blade with the same three screws.

Anomalies and repair

- Take the appliance to an authorised technical support service agent if any problems arise. Do not try to dismantle or repair the appliance, as this may be dangerous.
- If the connection to the plug or cord has been damaged, it must be replaced and you should proceed as you would in the case of damage.

Ecology and recyclability of the product

- The appliances' packaging materials are included in a collection, classification and recycling system. Should you wish to dispose of them, use the appropriate public containers for each type of material.
- The product does not contain concentrations of substances that could be considered harmful to the environment.
- Should you wish to dispose of the product once its' working life has ended, take it to an authorised waste agent for electric and electronic appliances.



creative housewares

27 Nourse Avenue Epping 2 Cape Town
P.O. Box 975 Eppindust 7475 South Africa
Tel: +27 21 534 8114 Fax: +27 21 534 8086
Service Centre Share Call: 086 111 5006
web: www.creativehousewares.co.za

Free Manuals Download Website

<http://myh66.com>

<http://usermanuals.us>

<http://www.somanuals.com>

<http://www.4manuals.cc>

<http://www.manual-lib.com>

<http://www.404manual.com>

<http://www.luxmanual.com>

<http://aubethermostatmanual.com>

Golf course search by state

<http://golfingnear.com>

Email search by domain

<http://emailbydomain.com>

Auto manuals search

<http://auto.somanuals.com>

TV manuals search

<http://tv.somanuals.com>