

mellerware®

TRENDS FOR LIFE



prima
hand mixer

complies with
INTERNATIONAL
IEC60335
SAFETY SPECIFICATIONS

m
2 0 0 W

CE
2 - YEAR
GUARANTEE

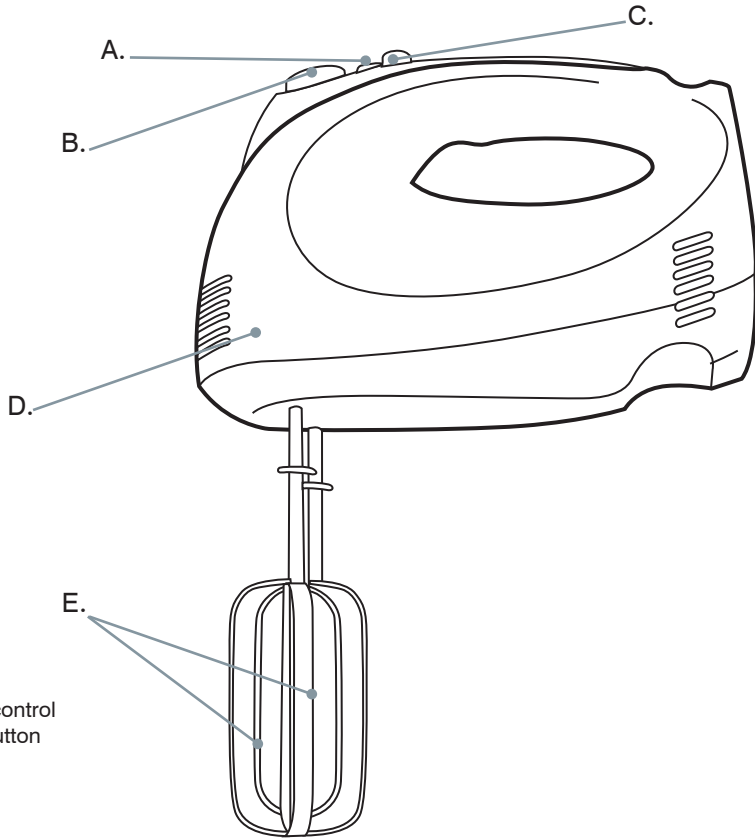
Model:
2 6 4 0 0

PLEASE READ ALL INSTRUCTIONS BEFORE USE

2 year
guarantee



INSTRUCTIONS FOR USE:



Description

- A Speed selector control
- B Whisk release button
- C Turbo button
- D Motor body
- E Blending whisks

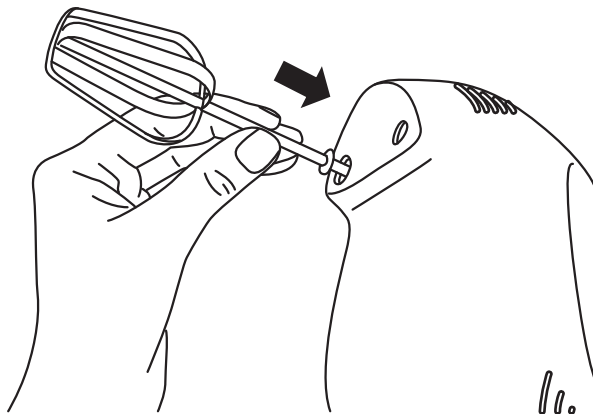


Fig.1



Safety advice and cautions

- Read these instructions carefully before switching on the appliance and keep them for future reference. Failure to follow and observe these instructions could lead to an accident.
- Clean all the parts of the product that will be in contact with food, as indicated in the cleaning section, before use.

Electrical safety:

- Do not use the appliance if the cable or plug is damaged.
- Ensure that the voltage indicated on the nameplate matches the mains voltage before plugging in the appliance.
- If any of the appliance's casing breaks, immediately disconnect the appliance from the mains to prevent the possibility of an electric shock.
- Do not use the appliance if it has fallen on the floor, if there are visible signs of damage.
- Do not force the electrical connection wire. Never use the electric wire to lift up, carry or unplug the appliance.
- Do not touch the plug with wet hands.

Personal safety:

- Do not touch any of the appliance's moving parts while it is operating.

Use and care:

- Fully unroll the appliance's power cable before each use.
- Do not use the appliance if its accessories are not properly fitted.
- Do not use the appliance if the on/off switch does not work.
- Disconnect the appliance from the mains when not in use and before undertaking any cleaning task.
- This appliance is for household use only, not professional or industrial use.
- This appliance is intended for adult use. Ensure that this product is not used by the disabled, children or people unused to its handling.
- This appliance should be stored out of reach of children and/or the disabled.
- Do not use the appliance for more than 5 minutes at any one time. Allow to cool for 15 minutes before subsequent use.
- Any misuse or failure to follow the instructions for use renders the guarantee and the manufacturer's liability null and void.

Instructions for use Before use:

- Make sure that all the product's packaging has been removed.

- Before using the product for the first time, clean the parts that will come into contact with food in the manner described in the cleaning section.

Use

- Unroll the cable completely before plugging it in.
- Connect the appliance to the mains.
- Start the appliance; press the speeds button (A).
- From the appliance's five speeds select the one you need. Always start with slow speeds and increase gradually until you reach the one you wish to use.
- Work with the food you want to process.

Once you have finished using the appliance:

- Stop the appliance, selecting position 0 on the selector control.
- Unplug the appliance from the mains.
- Clean the appliance.

Accessories:

Blending whisks (E):

- This accessory is used to whip cream, beat egg whites...
- Insert the blending whisks into the orifices in the body of the motor pressing them in until you hear a click. The blending whisks can be placed in either of the two orifices, as they are identical.
- Put the food into a large receptacle and switch the appliance on. For best results, turn the whisk clockwise.
- Remove the blending accessory pressing the eject button.

Turbo function (C):

- This allows you to work using pulses and helps to control the result of the preparation.
- Press the turbo button (C). Keep the button pressed down to achieve the desired result.

Cleaning

- Disconnect the appliance from the mains and allow it to cool before undertaking any cleaning task.
- Clean the equipment with a damp cloth with a few drops of washing-up liquid and then dry.
- Do not use solvents, or products with an acid or base pH such as bleach, or abrasive products, for cleaning the appliance.
- Do not let water or any other liquid get into the air vents to avoid damage to the inner parts of the appliance.
- Never submerge the appliance in water or any other liquid or place it under running water.
- The following pieces may be washed in a dishwasher:
 - Blending whisks



Anomalies and repair

- Take the appliance to an authorised technical support service if problems arise. Do not try to dismantle or repair without assistance, as this may be dangerous.
- If the connection to the mains has been damaged, it must be replaced and you should proceed as you would in the case of damage.

Ecology and recyclability of the product

- The materials of which the packaging of this appliance consists are included in a collection, classification and recycling system. Should you wish to dispose of them, use the appropriate public containers for each type of material.
- The product does not contain concentrations of substances that could be considered harmful to the environment.
- Should you wish to dispose of the product once its working life has ended, take it to an authorised waste agent for the selective collection of waste from electric and electronic appliances.





creative housewares

27 Nourse Avenue Epping 2 Cape Town
PO. Box 975 Eppindust 7475 South Africa
Tel: +27 21 534 8114 Fax: +27 21 534 8086
Service Centre Share Call: 086 111 5006
web: www.creativehousewares.co.za



Free Manuals Download Website

<http://myh66.com>

<http://usermanuals.us>

<http://www.somanuals.com>

<http://www.4manuals.cc>

<http://www.manual-lib.com>

<http://www.404manual.com>

<http://www.luxmanual.com>

<http://aubethermostatmanual.com>

Golf course search by state

<http://golfingnear.com>

Email search by domain

<http://emailbydomain.com>

Auto manuals search

<http://auto.somanuals.com>

TV manuals search

<http://tv.somanuals.com>