

# mellerware®

makes life easier

## SUPRA kitchen machine



4.2L Stainless  
steel mixing bowl

Digital LED  
control panel with  
countdown timer

Dough hook,  
whisk and  
mixing paddle  
attachments



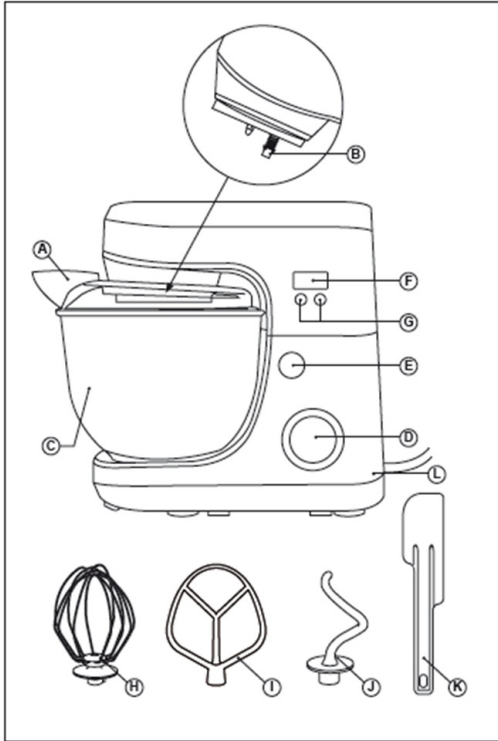
complies with  
INTERNATIONAL  
IEC60335  
SAFETY SPECIFICATIONS

**m**  
600W

2 YEAR  
GUARANTEE

Model:  
26900A

## Description



- A. Lid
- B. Accessories mounting
- C. Bowl
- D. Speed selector
- E. Connect/disconnect button for upper part
- F. Display LED
- G. Time selector
- H. Whisk
- I. Mixing paddle
- J. Dough hook
- K. Spatula
- L. Cable housing

## Safety advice and warnings

1. Read these instructions carefully before switching on the appliance and keep them for future reference. Failure to follow and observe these instructions may result in an accident.
2. Clean all the parts of the product that will be in contact with food, as indicated in the cleaning section, before use.
3. This appliance cannot be used by children. Keep the appliance and its cord out of reach of children.
4. This appliance can be used by people unused to its handling, disabled people if they have been given supervision or instruction concerning use of the appliance in a safe way and understand the hazards involved.

5. This appliance is not a toy. Children should be supervised to ensure that they do not play with the appliance.
6. Disconnect the appliance and unplug from power supply if machine is left unattended, or before changing the accessories or nearest parts that move when machine is used, assembled, disassembled or during cleaning.
7. If the connection is damaged it must be replaced. Take the appliance to an authorised Technical Assistance Service. Do not try to dismantle or repair without assistance, as this may be dangerous.

**CAUTION:** To avoid hazards due to the unwanted reset of the thermal protector, the appliance should not be powered through an external switching device, such as a programmer, or be connected to a circuit that is regularly switched on and off through the electrical power company.

1. Ensure that the voltage indicated on the nameplate matches the mains voltage before plugging in the appliance.
2. Connect the appliance to a base with an earth socket withstanding a minimum of 10 amperes.
3. The appliance's plug must fit into the mains socket properly. Do not alter the plug. Do not use plug adaptors.
4. Keep the working area clean and well lit. Cluttered and dark areas invite accidents.
5. Do not place the appliance where it can reach the sunlight.
6. Keep children and bystanders away when using this appliance.
7. The appliance should be used and kept over a flat and stable surface.
8. The appliance must be used and placed on a flat, stable surface.
9. **CAUTION:** In order to prevent overheating, do not cover the appliance.
10. Do not use the appliance if the cable or plug is damaged.
11. If any of the appliance casings breaks, immediately disconnect the appliance from the mains to prevent the possibility of an electric shock.
12. Do not use the appliance if it has fallen on the floor, if there are visible signs of damage or if it has a leak.
13. Never use the electric wire to lift up, carry or unplug the appliance.
14. Do not wrap the cable around the appliance.
15. Ensure that the electric cable does not get trapped or tangled.
16. Check the condition of the electrical connection cable. Damaged or tangled cables increase the risk of electric shock.
17. The power cord must be regularly examined for signs of damage and if damaged, the appliance must not be used.
18. Do not use or store the appliance outdoors.
19. Do not leave the appliance out in the rain or exposed to moisture. If water gets into the appli-

- ance, this will increase the risk of electric shock.
20. Do not touch the plug with wet hands.
  21. Take the necessary measures to avoid starting the appliance involuntarily.
  22. Do not touch any of the appliance's moving parts while it is operating.

#### Use and care:

1. Fully unroll the appliance's power cable before each use.
2. Do not use the appliance if its accessories are not properly fitted.
3. Do not use the appliance if the accessories attached to it are defective. Replace them immediately.
4. Do not use the appliance if the on/off switch does not work.
5. Do not move the appliance while in use.
6. Do not use the appliance if it is tipped up and do not turn it over.
7. Do not force the appliance's work capacity.
8. This appliance is for household use only, not professional or industrial use.
9. This appliance should be stored out of reach of children and/or the disabled.
10. Do not store the appliance on areas where the temperature could be lower than 2°C.
11. Do not expose to extreme temperatures or strong magnetism.
12. Keep the appliance in a dry, dust-free place, out of direct sunlight.
13. Make sure that dust, dirt or other foreign objects do not block the fan grill on the appliance.
14. Keep the appliance in good condition. Check that the moving parts are not misaligned or locked and make sure there are no broken parts or anomalies that may prevent the appliance from operating correctly.
15. Never leave the appliance unattended while in use.
16. Never leave the appliance connected and unattended if it is not in use. This saves energy and prolongs the life of the appliance.
17. Do not use the appliance for more than 10 minutes at once. Let it cool for down for a couple of minutes before using again.

#### Service:

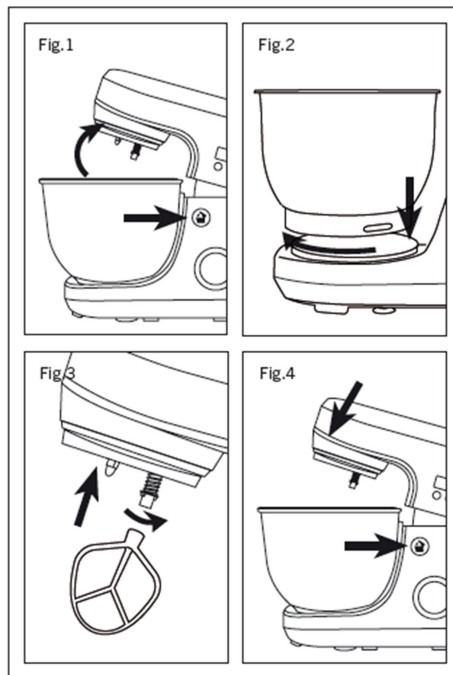
- Make sure that the appliance is serviced only by specialist personnel, and that only original spare parts or accessories are used to replace existing parts/ accessories.
- Any misuse or failure to follow the instructions for use renders the guarantee and the manufacturer's liability null and void.

#### Instructions for use

##### Before use:

- Make sure that all the product's packaging has been removed.
- Before using the product for the first time, clean the parts that will come into contact with food in

- the manner described in the cleaning section.
- Prepare the appliance according to the function you wish to use.



##### Use:

1. Take the length of cable required out of the housing.
2. Connect the appliance to the mains.
3. The LED display will light up, displaying 00:00
4. Press gently with your hand on the upper part while pressing the connect/ disconnect button to raise the upper part (Fig. 1)
5. Place the bowl on base and position as shown (Fig. 2)
6. Place the accessory that will be used on the mounting, ensuring that it fits over the hole and turn in an anti-clockwise direction until it is tightly fitted (Fig. 3)
7. Press the connect/disconnect button and press the upper part downwards until the button is returned to its original position (Fig. 4)
8. Put the lid on to prevent splashing.
9. Start the appliance by turning on the speed regulator.
10. If no specific operating time has been programmed, the LED display will show the time that has elapsed since the operating speed was selected.
11. To avoid a fierce start up of the fan, it is advisable to start off from the lowest speed position and, once the fan has been switched on, progressively increase the speed to the desired position.

### **Electronic speed control:**

- The speed of the appliance can be regulated by using the speed regulator control (D). This function is very useful, as it makes it possible to adapt the power of the appliance to the type of work that needs to be done.
- The speed control can be used for the desired function as is described in the accessories section.

### **Timer function:**

1. The appliance's operating time can be controlled.
2. To set an operating time simply select it by using the time selection buttons (G) to a maximum of 10 minutes, with 10 second intervals. By keeping "+" or "-" pressed, the selected time will change more quickly.
3. The programmed time or remaining time will be shown on the LED display (F).
4. By selecting the desired speed the LED display will show the remaining time in 1 second intervals.
5. The time and operating of the appliance can be paused by moving the selector knob to "0". Time and operating will resume once the speed has been selected again.
6. Once the programmed time has elapsed, the appliance will stop. Move the selector knob to "0".
7. To change the set time move the selector knob to "0" and press "+" or "-" to reset the desired time. Once selected, reset the desired operating speed.
8. To reset the timer, select "0" and then press both select time buttons at the same time until 00:00 is shown on the LED display.
9. If a specific operating time has not been set, the LED display will show the time elapsed since the operating speed was selected.

### **Once you have finished using the appliance:**

1. Turn off the appliance by selecting 0 on the speed regulator.
2. Unplug the appliance to the mains.
3. Put the cable back in the cable housing.
4. The cable housing enables the cable to be stored and pulled out to the required length for operating the appliance, preventing hazardous situations.
5. Take off the lid.
6. Press the connect/disconnect button of the upper part, while raising the upper part.
7. Remove the bowl from the base by turning it in an anti-clockwise direction.
8. Clean the appliance

### **Accessories:**

#### **Whisk accessory (H):**

- This accessory is used for whipping cream, stiffening egg whites, making smoothies, light cakes, meringues, mousses and soufflés.
- Do not use this accessory for mixing heavy masses (e.g. fat and sugar) as it may damage the appliance.
- Use the speed control to gradually increase until reaching the maximum setting.
- Note: minimum quantity of 3 eggs, maximum quantity of 12.

#### **Mixer accessory (I):**

- This accessory is used for mixing food, making biscuits, pasta, fillings and mashed potatoes.
- It is recommended that intermediate speeds are used from 2-6, depending on the type of mixes.

#### **Kneading accessory (J):**

- This accessory is used for kneading bread, pizza dough and dense cakes.
- Do not use speeds greater than 1.
- Maximum quantity of flour: 1,200 gr.

#### **Safety thermal protector:**

- The appliance has a safety device, which protects the appliance from overheating.
- If the appliance turns itself off and does not switch itself on again, disconnect it from the mains supply, and wait for approximately 15 minutes before reconnecting. If the machine does not start again seek authorised technical assistance.

#### **Cleaning**


- Disconnect the appliance from the mains and let it cool before undertaking any cleaning task.
- Clean the equipment with a damp cloth with a few drops of washing-up liquid and then dry.
- Do not use solvents, or products with an acid or base pH such as bleach, or abrasive products, for cleaning the appliance.
- Do not let water or any other liquid get into the air vents to avoid damage to the inner parts of the appliance.
- Do not submerge the appliance in water or any other liquid, or place it under a running tap.
- It is advisable to clean the appliance with a damp(not wet) cloth regularly and remove any food remains. The bowl, splash guard, spatula and attachments are suitable for cleaning with hot soapy water.
- After washing, dry all the parts before fitting them together and storing.

#### **Anomalies and repair**

- - Take the appliance to an authorised technical support service if problems arise. Do not try to dismantle or repair without assistance, as this may be dangerous.


## creative housewares

 20 Tekstiel Street, Parow, Cape Town, 7493, South Africa

 P.O. Box 6156 Parow East, 7501, South Africa

 +27 21 931 8117  +27 21 931 4058

Service Centre Helpline: 086 111 5006

 [www.creativehousewares.co.za](http://www.creativehousewares.co.za)

## Free Manuals Download Website

<http://myh66.com>

<http://usermanuals.us>

<http://www.somanuals.com>

<http://www.4manuals.cc>

<http://www.manual-lib.com>

<http://www.404manual.com>

<http://www.luxmanual.com>

<http://aubethermostatmanual.com>

Golf course search by state

<http://golfingnear.com>

Email search by domain

<http://emailbydomain.com>

Auto manuals search

<http://auto.somanuals.com>

TV manuals search

<http://tv.somanuals.com>