



mellerware®

E X E C U T I V E
C O O K M A S T E R M I N I O V E N



complies with
INTERNATIONAL
IEC60335
SAFETY SPECIFICATIONS

m
3400W
MAX

2 YEAR
GUARANTEE

Model:
27800

PLEASE READ ALL INSTRUCTIONS BEFORE USE

2 year guarantee

Dear customer,

Many thanks for choosing to purchase a MELLERWARE brand product. Thanks to its technology, design and operation and the fact that it exceeds the strictest quality standards, a fully satisfactory use and long product life can be assured.

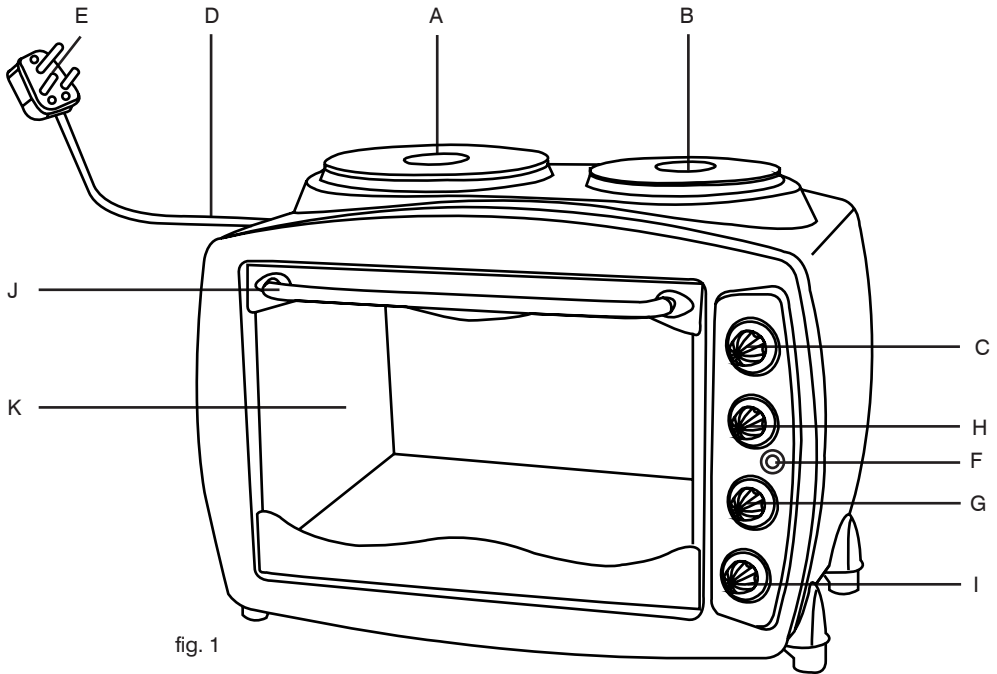


fig. 1

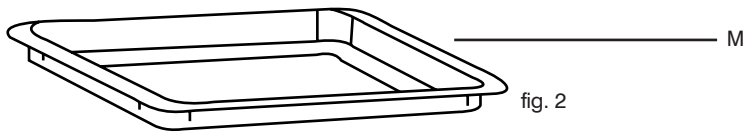


fig. 2



fig. 3

Description

- A- Big hotplate
- B- Small hotplate
- C- Temperature dial of oven
- D- Cord
- E- Power plug
- F- Power light
- G- Temperature dial of small hotplate
- H- Temperature dial of big hotplate
- I- Selector
- J- Door handle
- K- Glass window
- L- Bake Rack
- M- Bake Pan




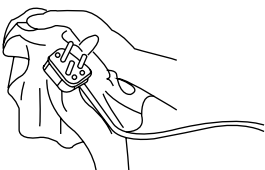
SPECIFICATION:

Model		Cook Master Mini Oven
Rated Power		220 - 240V
Rated frequency		50Hz
Oven power		1600W
Hob Power	Big Hob	1000W
	Small Hob	700W
Total power		3150 - 3400W
Dimintions (W x D x H)	Outer dimintions	504X325X355mm
	Inner dimintions	361X270X275mm
N.W		9KGS

SAFETY ADVICE AND WARNINGS

- Read all instructions carefully before using this appliance.
- DO NOT TOUCH hot surfaces during operation, strictly use the handle & allocated knobs.
- To prevent electric shock, DO NOT IMMERSE the cord, plug or the appliance in water or any other liquid.
- This appliance is not intended for use by persons (including children) with a reduced physical, sensory or mental capabilities, or lack of experience and knowledge, unless they have been given supervision or instruction concerning use of the appliance by a person responsible for their safety.
- Children should be supervised to ensure that they do not play with the appliance.
- Unplug the appliance when not in use or before undertaking any cleaning of the appliance. CAUTION! Allow appliance to cool down completely before cleaning.
- Do not operate the appliance if the plug or cord is damaged, or if the appliance has malfunctioned. Take the appliance to an authorized service center and seek advice.
- Only use supplied accessories in conjunction with the appliance to avoid malfunctioning and/or electric shock.
- This appliance is intended for household use only. Do not use this appliance for industrial or outdoor applications.
- Do not allow any part of the appliance or the supply cord hang over the edge of the surface on which the appliance is mounted. The appliance can fall from the surface and malfunction or even be destroyed. Refer to fig.4 for ideal placement.
- Do not place appliance or supply cord on rough or hot surfaces.
- Use only approved oven gloves when handling the oven accessories during use of the oven.
- Ensure the appliance is switched off before inserting or removing the plug from the wall socket.
- In the event of the contents inside the oven getting burnt, turn off the appliance immediately and remove the plug from the wall socket.
- Do not use the cord to pull, carry or lift up the appliance.
- Do not use the cord to remove the plug from the wall socket.
- Do not insert any contents into the oven which are larger than the capacity of the oven.
- Do not place any objects on top of the appliance during use, unless when using the small and big plates of the stove top.
- Do not operate the appliance using wet hands.
- Do not touch the plug with wet hands.
- Always use this appliance in a well ventilated area.

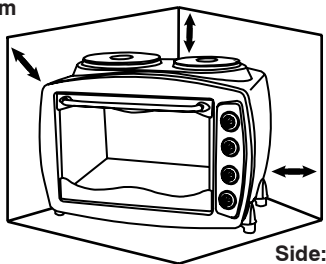
- Ensure that no objects are beneath the appliance during use.
- Ensure that the surface on which the appliance is mounted is stable, secure and even.
- If the surrounding surfaces consists of wood, vinyl or resin, the distance between surfaces should be greater than the distances in fig.4.
- CAUTION! The oven door is made from glass. Exercise extreme caution when opening and closing the oven door.

Clean dust from the power plug regularly. A build-up of dust on the plug will attract condensation, which could cause cable damage resulting in fire. Remove the plug and clean with a dry cloth.


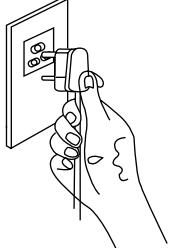
fig. 7

Rear: more than 5cm Top: more than 10cm



Side: more than 5cm


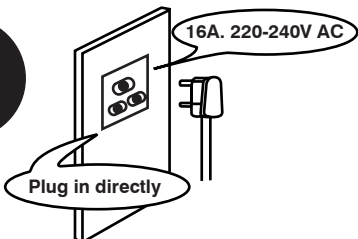
fig. 4

NO wet hands.


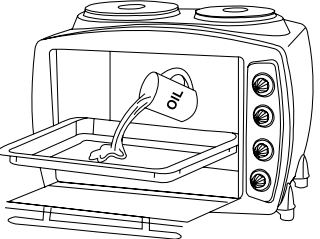
Do not connect or disconnect the power plug with wet hands. This may result in electric shock.

fig. 8


Use a single outlet that matches the power rating of the unit. Heat generated when plugging in multiple appliances into one outlet may result in fire.

fig. 5


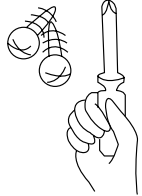
Do not put oil into the pan.
There is danger of a fire hazard.

fig. 9



Do not touch the metallic parts or the glass window during or immediately after use. There is danger of getting burnt. Make sure that the Oven is not hot before performing maintenance.

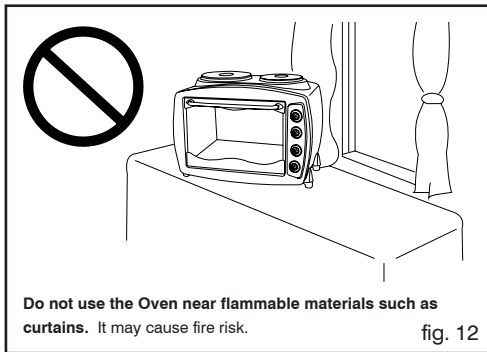
fig. 6

Disassembly is prohibited.

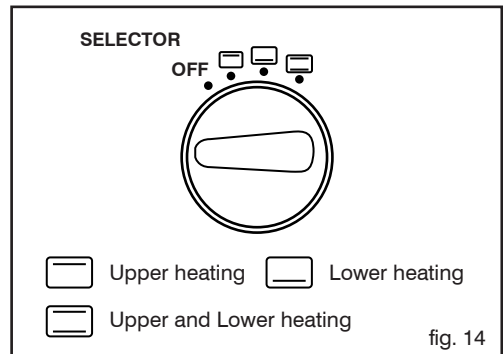
Never try to disassemble, repair or remodel the Cook Oven. There is danger of fire malfunction, causing injury. About repair, consult the store from which the Oven was purchased.

fig. 10



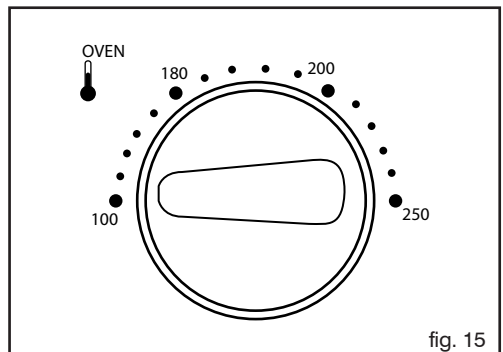
4. To use the oven, follow the below instructions:

- Turn the selector knob to the oven setting.
- Set the oven to the desired temperature by turning the temperature dial knob in a clockwise direction.
- Preheat the oven for 10-15 minutes with glass oven door closed.
- Use the oven gloves to insert bake pan or bake rack containing food contents.
- Once contents have finished cooked or baked, use the oven gloves and carefully remove the bake pan/rack. Exercise extreme caution when removing contents as the surrounding surfaces are extremely hot and can cause extensive burn injuries.
- If the oven or any other part of the appliance is no longer required, turn down the temperature dial knob to the lowest setting.
- Turn the selector knob to the "OFF" setting.
- Remove the plug from the wall socket and allow the appliance to completely cool down.



HOW TO USE THE OVEN:

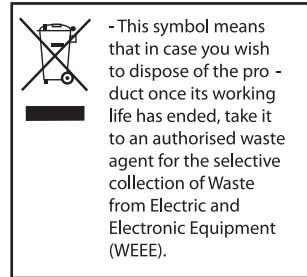
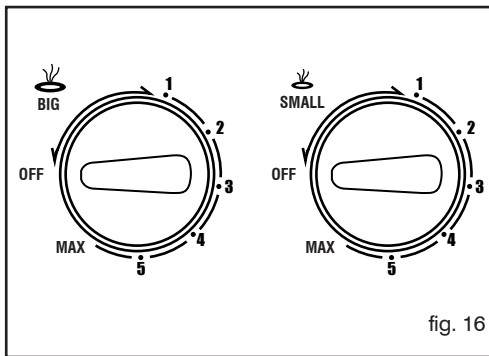
1. Insert the plug into the wall socket. Ensure that the voltage supply of the wall socket is the same as the voltage on the rating label.
2. Once the plug is inserted, the power indication lamp will illuminate.
3. When using the oven for the first time, preheat the oven for 10-15 minutes without any contents inside the oven. If a slight odour or smoke appears, do not be alarmed as this is normal.



HOW TO USE THE STOVE TOP:

- Turn the selector knob to the stove setting.
- Select which plate to use or both plates may be used together.
- Select the desired or required heat level.
- Place pot/pan on plate/s.
- When no longer required, turn off plate/s.
- Carefully remove pot/pan from plate/s.
- Allow plate/s to completely cool down and remove plug from wall socket before cleaning.

If the appliance is still not able to operate, take the appliance to an authorized technical assistance center for further advice.



CLEANING:

- Before using the appliance for the first time, wipe down appliance as well as interior of oven with a damp cloth.
- When cleaning the appliance, use a soft damp cloth. Do not use abrasive materials to clean the appliance as this can cause harm to the appliance.
- Before undertaking any cleaning of the appliance, ensure that the appliance is off, the plug has been removed from the wall socket, and the appliance has completely cool down.

REPAIRS:

If the appliance does not work, please consult the following points:

- Check that the wall socket is working correctly.
- Ensure that the electricity supply is fully operational.
- Ensure that the appliance plug and cord is connected and in a safe operating condition.





creative housewares

27 Nourse Avenue Epping 2 Cape Town
P.O. Box 975 Eppindust 7475 South Africa
Tel: +27 21 534 8114 Fax: +27 21 534 8086
Service Centre Share Call: 086 111 5006
web: www.creativehousewares.co.za

Free Manuals Download Website

<http://myh66.com>

<http://usermanuals.us>

<http://www.somanuals.com>

<http://www.4manuals.cc>

<http://www.manual-lib.com>

<http://www.404manual.com>

<http://www.luxmanual.com>

<http://aubethermostatmanual.com>

Golf course search by state

<http://golfingnear.com>

Email search by domain

<http://emailbydomain.com>

Auto manuals search

<http://auto.somanuals.com>

TV manuals search

<http://tv.somanuals.com>