

mellerware[®]
makes life easier

NEVADA
9 fin
heater



2 Power/heat
settings

Thermostat
control

Large heating
surface



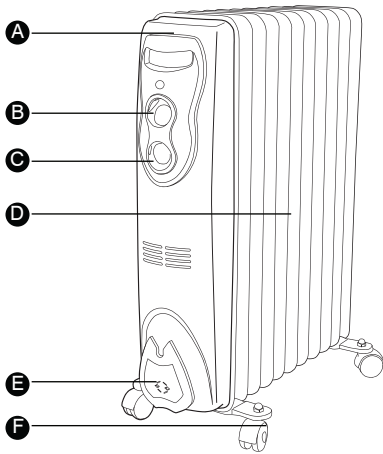
complies with
INTERNATIONAL
IEC60335
SAFETY SPECIFICATIONS

m
2000 W

2 YEAR
GUARANTEE

Model :
35009

PARTS IDENTIFICATION



- A. Plastic handle
- B. Thermostat
- C. Power switch
- D. Fins
- E. Power cable & plug storage compartment
- F. Castor wheels

INSTRUCTION

The oil filled radiator is manufactured to the highest specifications, utilizing the latest technology. To get the best from this product and prolong it's life, please spare a few minutes to read the user instructions.

FEATURES

Large 7-fins heating surface provides uniform radiation.

Automatic temperature controller for adjusting and maintaining the desired room temperature. Special high-speed heat conducting oil is utilized. Equipped with castor wheels for ease of movement.

Safety Guidelines

1. The radiator should always be kept upright
2. Don't position your radiator near to flammable materials. Allow a distance of at least 50mm between furniture, curtain, walls and any other household objects.
3. Don't position your radiator directly under a socket outlet.
4. If the cord becomes worn, it must be replaced by a qualified technician.

5. Don't lay the cords over the radiator when not in use.
6. Don't cover the radiator with anything.
7. The radiator must not be used in a bathroom or near a source of water.
8. It's normal for the radiator to make a noise when it is being used for the first time.
9. In case of problems with the radiator, please don't attempt any repairs. Refer repairs only to qualified service personnel.
10. The oil used in this radiator is of a specification particular to this type of radiator and is manufactured with a precisely measured quantity. Only approved agents must open the oil container section to carry our repairs. Any oil leak must be reported to and repaired by qualified service personnel.
11. Check that your supply voltage is the same as the shown on the rating label and that the socket is earthed.

Fitting the wheels (see Diagram (a) & (b) for guidance)

1. Turn the radiator upside down and rest on a soft surface to prevent scratching the radiator housing.
2. Screw the wheel plate onto the radiator, using the wire loops and wing nuts provided.
3. Push the castor wheels onto the wheel pins on the plate until they "click" into place.
4. Turn the radiator back to its correct upright position.

Operation:

1. Turn the thermostat (B) to the highest setting and switch on the power button (C). When the desired temperature has been reached, turn back the thermostat until the indicator lamp goes out.
2. Simply adjust the thermostat to retain the desired temperature.
3. The indicator lamp indicates whether or not the radiator is working.

Warning

1. This appliance is not intended for use by persons (including children) with reduced physical, sensory or mental capabilities or lack of experience and knowledge, unless they have been given supervision or instruction concerning use of the appliance by a



- person responsible for their safety. Children should be supervised to ensure that they do not play with the appliance.
2. If the supply cord is damaged, it must be replaced by the manufacture, its service agent or similarly qualified persons in order to avoid a hazard.
 3. The instructions for heaters marked “**DO NOT COVER**” or with the “**DO NOT COVER**” symbol shall contain the substance of the following: **WARNING:** in order to avoid overheating, do not cover the heater.
 4. The instructions shall state that the heater must not be located immediately below a socket outlet.
 5. Do not use this heater in the immediate surroundings of a bath, shower

- or swimming pool.
6. This heater is filled with a precise quantity of special oil.
 7. Repairs requiring opening of the oil container are only to be made by the manufacturer or his service agent who should be contacted if there is an oil leak; When scrapping the heater, follow the regulations concerning the disposal of oil.

Maintenance


Before carrying out any maintenance on your radiator, ensure that it is unplugged and completely cold. Don't spray water onto the radiator. Wipe the casing with a soft, damp cloth. Don't clean the radiator with detergents or abrasive cleaners.








creative housewares

 20 Tekstiel Street, Parow, Cape Town, 7493, South Africa

 P.O. Box 6156 Parow East, 7501, South Africa

 +27 21 931 8117  +27 21 931 4058

Service Centre Helpline: 086 111 5006

 www.creativehousewares.co.za

Free Manuals Download Website

<http://myh66.com>

<http://usermanuals.us>

<http://www.somanuals.com>

<http://www.4manuals.cc>

<http://www.manual-lib.com>

<http://www.404manual.com>

<http://www.luxmanual.com>

<http://aubethermostatmanual.com>

Golf course search by state

<http://golfingnear.com>

Email search by domain

<http://emailbydomain.com>

Auto manuals search

<http://auto.somanuals.com>

TV manuals search

<http://tv.somanuals.com>