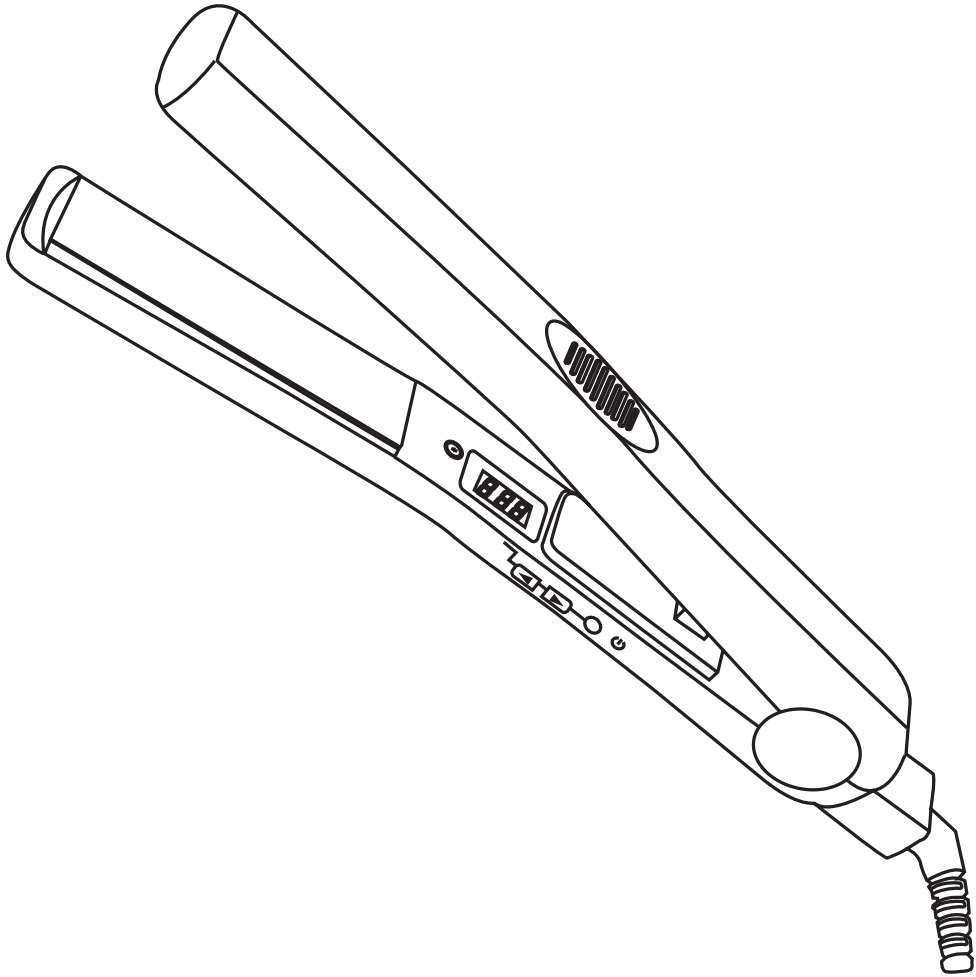




mellerware®

P E R S O N A L

Tourmaline Slim Hair Straightener



complies with
IEC60355
SAFETY SPECIFICATIONS



CE
2 YEAR
GUARANTEE

Model:
20325

PLEASE READ ALL INSTRUCTIONS BEFORE USE

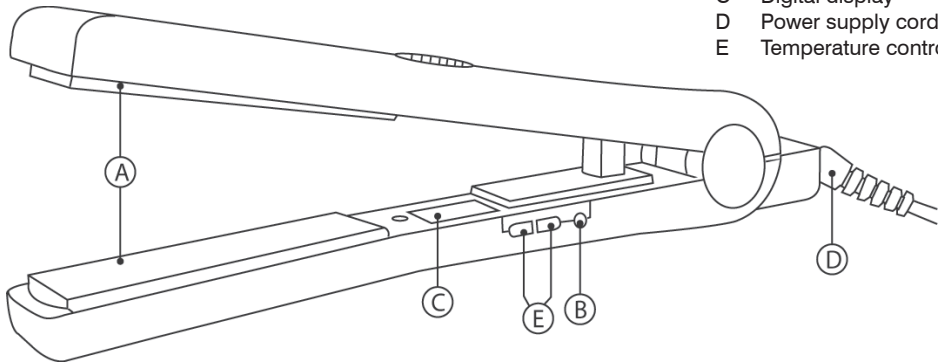
2 year guarantee



KEY and CHARACTERISTICS

Description

- A Tourmaline plates
- B Power switch
- C Digital display
- D Power supply cord
- E Temperature control



Electrical safety:

- Do not use the appliance if the cable or plug is damaged.
- Ensure that the voltage indicated on the nameplate matches the mains voltage before plugging in the appliance.
- The appliance's plug must fit into the mains socket properly. Do not alter the plug. Do not use plug adaptors.
- Do not leave the appliance out in the rain or exposed to moisture. If water gets into the appliance, this will increase the risk of electric shock.
- If any of the appliance's casing breaks, immediately disconnect the appliance from the mains to prevent the possibility of an electric shock.
- Do not use the appliance with damp hands or feet, or when barefooted.
- Do not use the appliance near bathtubs, showers or swimming pools.
- Do not wrap the cable around the appliance.
- Do not allow the connection cable to come into contact with the appliance's hot surfaces.
- As an additional protection to the electrical supply for the appliance, it is advisable to have a differential current device with a maximum sensitivity of 30 mA. Ask for advice from a competent installer.
- Do not touch the plug with wet hands.

Use and care:

- Fully unroll the appliance's power cable before each use.
- Do not use the appliance on wet hair.
- Do not use the appliance if the on/off switch does not work.
- If you use the appliance in a bathroom or similar place, unplug the appliance from the mains when it is not in use, even if it is only for a short while, as proximity to water involves a risk, even if the appliance is disconnected.
- Disconnect the appliance from the mains when not in use and before undertaking any cleaning task.
- This appliance is for household use only, not professional or industrial use.
- This appliance is intended for adult use. Ensure that this product is not used by the disabled, children or people unused to its handling.
- This appliance should be stored out of reach of children and/or the disabled.
- Do not put the appliance away if it is still hot.
- Do not use the appliance to dry pets or animals.
- Any misuse or failure to follow the instructions for use renders the guarantee and the manufacturer's liability null and void.



Instructions for use

Before use:

- Remove the appliance's protective film.

Use:

- Unroll the cable completely before plugging it in.
- Connect the appliance to the mains.
- Turn the appliance on using the on/off switch.
- Select the desired temperature using the switches. Select the temperature according to hair type.
- In general it is advisable to select the lowest temperature for very fine, dyed or damaged hair. Use higher temperatures for hair that is curly, thick or difficult to manage. Consult the table below:

Temperature Hair type

130° - 160°	Fine, bleached or damaged hair
160° - 190°	Normal, dyed or wavy hair
190° - 210°	Thick or curly hair

- Wait for the temperature, which appears on the digital temperature display, to match the selected temperature. The hair straightener will be ready for use.
- The appliance has an integrated PTC resistance system to keep the temperature of the entire plate area stable.
- The ceramic-tourmaline plates emit negative ions, which eliminate static electricity therefore avoiding frizz and improving overall results. Moreover, the tourmaline has an easy-glide surface, which helps to reduce straightening time.
- For perfect hair straightening, separate a lock of hair that is not too thick put it in a perpendicular position between the plates and gently pull from the roots to the tips.
- If necessary, repeat the operation again.
- Proceed gradually with the rest of the hair.
- To give more shape o your hair, follow the same operation as described previously, but this time turn the straightener inwards (like the brush when brushing your hair). If you

would like to create an informal look, turn the straightener outwards so that the tips of your hair face outwards.

Once you have finished using the appliance:

- Turn the appliance off, using the on/off switch.
- Unplug the appliance from the mains.

Cleaning

- Disconnect the appliance from the mains and allow it to cool before undertaking any cleaning task.
- Clean the equipment with a damp cloth with a few drops of washing-up liquid and then dry.
- Do not use solvents, or products with an acid or base pH such as bleach, or abrasive products, for cleaning the appliance.
- Never submerge the appliance in water or any other liquid or place it under running water.

Anomalies and repair

- Take the appliance to an authorised technical support service if problems arise. Do not try to dismantle or repair without assistance, as this may be dangerous.
- If the connection to the mains has been damaged, it must be replaced and you should proceed as you would in the case of damage.

Ecology and recyclability of the product

- The materials of which the packaging of this appliance consists are included in a collection, classification and recycling system. Should you wish to dispose of them, use the appropriate public containers for each type of material.
- The product does not contain concentrations of substances that could be considered harmful to the environment.
- Should you wish to dispose of the product once its working life has ended, take it to an authorised waste agent for the selective collection of waste from electric and electronic appliances.

This appliance complies with Directive 73/23/EC on Low Voltage and Directive 89/336/EC on Electromagnetic Compatibility.



creative housewares

27 Nourse Avenue Epping 2 Cape Town
P.O. Box 975 Eppindust 7475 South Africa
Tel: +27 21 534 8114 Fax: +27 21 534 8086
Service Centre Share Call: 086 111 5006
web: www.creativehousewares.co.za



Free Manuals Download Website

<http://myh66.com>

<http://usermanuals.us>

<http://www.somanuals.com>

<http://www.4manuals.cc>

<http://www.manual-lib.com>

<http://www.404manual.com>

<http://www.luxmanual.com>

<http://aubethermostatmanual.com>

Golf course search by state

<http://golfingnear.com>

Email search by domain

<http://emailbydomain.com>

Auto manuals search

<http://auto.somanuals.com>

TV manuals search

<http://tv.somanuals.com>