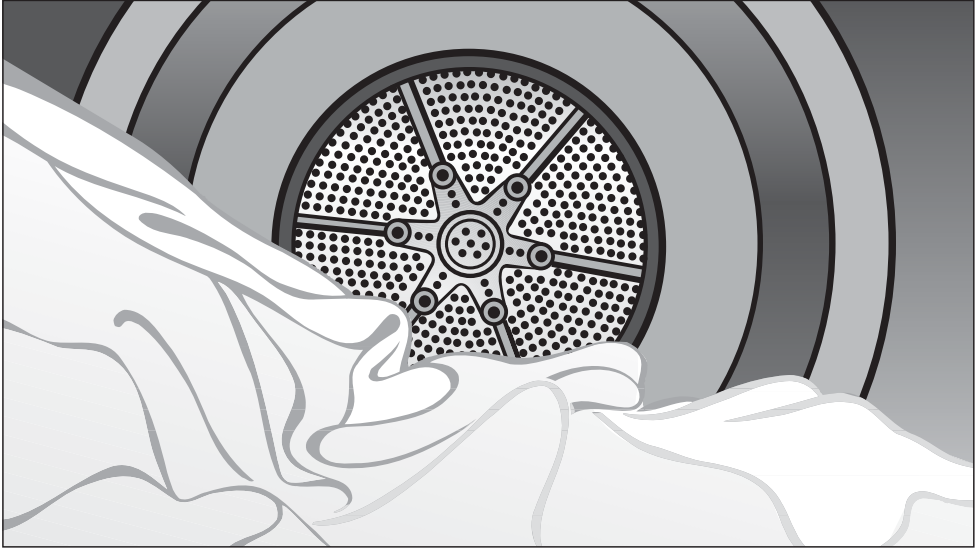


Operating and Installation manual



Vented Dryer PT 7136 Plus

To prevent accidents
and machine damage
read these instructions
before
installation or use.

GT04

en - US


M.-Nr. 06 975 240

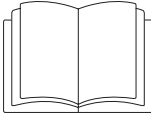
Contents

IMPORTANT SAFETY INSTRUCTIONS	4
Guide to the dryer	7
Control panel	7
Display function	8
Before using for the first time	10
Use	11
Fabric care labels	11
Drying tips	11
Coin mechanism	15
Canceling a program	15
Adding/removing laundry during a drying program	15
Program guide	16
Timer	19
Favorites	20
Selecting/Changing a Favorite	20
Low temp.	22
Saving a Favorite	22
Cleaning and Care	23
Cleaning the lint filter	23
Cleaning the exterior and the control panel	25
Frequently asked questions	26
After sales service	32
Optional accessories	32

INSTALLATION INSTRUCTIONS	33
IMPORTANT SAFETY INSTRUCTIONS	34
Installation	36
Electrical connection	40
Installation of exhaust venting	41
General notes	41
How to calculate the effective duct length	42
Determining the position of the exhaust connection	46
Exhaust connection with a flexible exhaust hose or rigid pipe	47
Technical Data	51
Caring for the environment	52
Settings ▾	53
Opening the menu Settings	54
Language ▾	55
Settings - Supervisor level	57

IMPORTANT SAFETY INSTRUCTIONS

 **WARNING** - To reduce the risk of fire, electric shock, or injury to persons when using your appliance, follow basic precautions, including the following:



► It is **essential** to read all instructions before using this appliance.

This machine conforms to current safety requirements. However, inappropriate use can lead to personal injury and property damage. Read the operating instructions carefully before using this machine.

The manufacturer cannot be held responsible for damage caused by non-observance of these Important Safety Instructions.

► The tumble dryer is only intended for drying fabrics washed in a water solution. Check fabric care labels to verify materials can be machine dried.

► Before maintenance, or cleaning and care disconnect the dryer from the electrical supply pulling the plug or tripping the circuit breaker.

► Do not allow children to play on or in the appliance. Close supervision is necessary when the appliance is used near children. Always close the door after use to prevent child hazards.

► Make sure that no unattended children can access the machine. There is a potential danger that children can be trapped in the drum. This may cause major injuries or the death of the child.

► Do not reach into the dryer if the drum is moving.

► Do not install or store this appliance where it will be exposed to the weather.

► Do not tamper with the controls.

► Do not repair or replace any part of the appliance or attempt any servicing unless specifically recommended in these operating instructions. Repairs to electrical appliances should only be performed by qualified personnel. Incorrectly repaired machines may pose a considerable risk to the user.

► Clean the lint filter before or after each load.

► Keep the area around the exhaust opening (toekick) and adjacent surrounding areas free of lint, dust and dirt.

► The interior of the machine and exhaust duct should be cleaned periodically by qualified personnel.

► Only use genuine Miele accessories and replacement parts. If other parts are used, guarantee, performance and product liability claims may become void.

IMPORTANT SAFETY INSTRUCTIONS

▶ To prevent the risk of fire, the following articles must not be dried in this tumble dryer:

- items which have not been washed.
- items, such as workwear, which have not been thoroughly cleaned and are still soiled with grease, oil or other substances (such as cosmetics, lotions, etc.)
If items have not been thoroughly cleaned there is a danger that they could ignite when heated, even after they have been removed from the dryer at the end of the program.
- items that have been previously cleaned, washed, soaked or spotted with gasoline, dry-cleaning solvents, wax, wax remover, chemicals for buffing (e.g. mops and floor cloths) or other flammable or explosive substances. They may give off vapors that could ignite or explode.
- items which have been spattered with hair spray, nail polish remover or similar substances.

When washing such heavily soiled items ensure that you use sufficient detergent and select a high temperature. In doubt, wash the items several times.

▶ To prevent the risk of fire, the following articles or items must not be dried in this tumble dryer:

- fabrics which contain a large amount of rubber, foam rubber or rubber-like materials. For example, products made from latex, shower caps, waterproof textiles, rubberized articles, and items of clothing and pillows with foam rubber filling, or similarly textured rubber-like materials.
 - which contain padding or fillings (e.g. pillows, jackets). If these were damaged the filling could get out with the risk of igniting in the dryer.
- ▶ In many programs, the heating phase is followed by a cooling down phase to ensure that the items are not too hot to handle when you remove them (this also avoids the danger of the laundry self-igniting). The program is not finished until the cooling down phase is complete.
Always wait until the end of the program before removing the laundry.

▶ **Warning:** Do not switch the tumble dryer off before the end of the drying program. If this was done and the laundry was then removed immediately it could give off a great amount of heat.

▶ Do not use fabric softeners or products to eliminate static unless recommended by the manufacturer of the fabric softener or product.

IMPORTANT SAFETY INSTRUCTIONS

▶ GROUNDING INSTRUCTIONS

This appliance must be grounded. In the event of a malfunction or breakdown, grounding will reduce the risk of electric shock by providing a path of least resistance for electric current.

This appliance is equipped with a cord having an equipment-grounding conductor and a grounding plug. The plug must be inserted into an appropriate outlet that is properly installed and grounded in accordance with all local codes and ordinances.

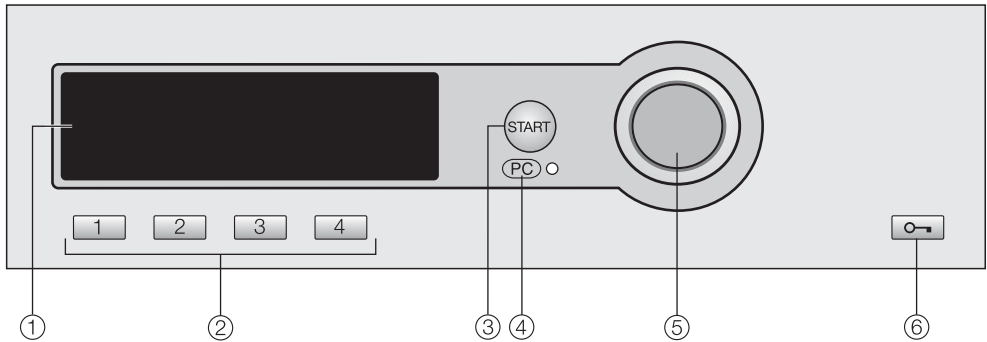
▶ **WARNING** – Improper connection of the equipment grounding conductor can result in a risk of electric shock. Contact a qualified electrician if you are in doubt as to whether the appliance is properly grounded.

▶ Do not modify the plug provided with the appliance: if it will not fit the outlet, have a proper outlet installed by a qualified electrician.

▶ Before this appliance is removed for service or discarded, remove the door to the drying compartment.

SAVE THESE INSTRUCTIONS

Control panel



① **Display***

See the following pages for more information

② **Direct select buttons**

To select a drying program directly. You can also save "Favorite" drying programs on these buttons.

③ **"Start" button**

④ **Optical interface PC**

Allows a service technician to check and update the drying programs

⑤ **Jog shuttle**

Turn to select
Press to confirm the selection

⑥ **Key button**

To open the drum door.

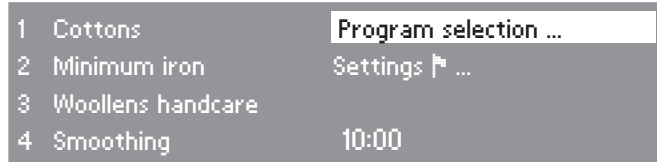
*Contents in the display will vary with program offering.

Guide to the dryer

Display function

Contents in the display will vary with program offering.

Main menu



The display shows the main menu (with factory default settings). "Program selection" is highlighted.

If the display is dark (in Stand-by mode) turn the jog shuttle.

Jog shuttle

Turn the jog shuttle to select a program or setting.

Press the jog shuttle to confirm the selection.

Direct select buttons

The first four programs shown in the display on the left are the "Favorites". They can be selected with the direct select buttons.

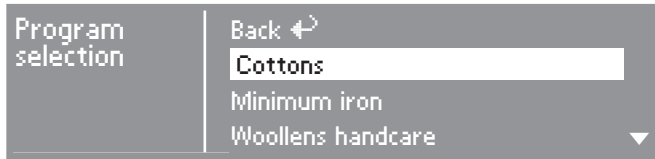
The Favorites can be individually set to your desire. See "Favorites" for more information.

The direct select buttons have different functions in the other menus. In these menus an arrow ▼ is displayed above the respective button with the function description of the button.

Program selection possibility

- **Possibility 1** Select and confirm the menu "Program selection" in the display with the jog shuttle.
- **Possibility 2** Press one of the direct select buttons and access directly the basic menu of the program.

Menu Program selection

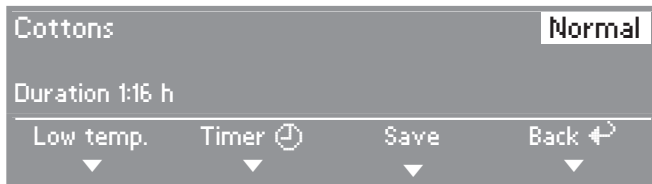


- All pre-set programs can be selected with the jog shuttle. Depending on the direction the jog shuttle is turned the highlighter moves up or down.

The arrows ▼▲ at the right side of the display show that more selections are available.

- Press the jog shuttle to open the basic menu of the selected program.

Basic menu of a drying program



- The "Drying level" or "Program" can be selected by turning the jog shuttle.
 - The selected component is highlighted. Press the jog shuttle to select or adjust the component.
 - Select "Low temp." or "Timer" by pressing [1] - [2].
 - Press [4] to get back to the Basic menu.

All components can also be selected and confirmed using only the jog shuttle.

Settings 🏠

The "Settings 🏠" menu allows you to adjust the dryer to individual needs. See "Settings 🏠" for more information.

Before using for the first time

The appliance must be correctly installed and connected before the first use. Please see the "Installation instructions."

Welcome screen

The Welcome screen shows when the dryer is turned on for the first time.

Once the total use time of the dryer exceeds one hour the welcome screen will not show again.

The display then shows the language selection.

Language

Select the desired language and confirm with "OK".

Set the time of day

- Set the hour by turning the jog shuttle, press to confirm.
- Repeat to set the minutes and confirm.
- Press again to save the time of day.

Fabric care labels

Before drying, check fabric care labels for special drying instructions.

- ☺ = Drying with normal temperature
- ☺ = Drying with low temperature
- ☒ = Do not dry in a tumble dryer

Drying tips

- Observe the maximum loads, see the "Program guide".


Overloading the dryer will result in poor drying and wrinkling.

- Do not place **dripping wet items** in the dryer. Spin the laundry after the wash for at least 30 seconds.
- Dry **delicate fabrics** (with the fabric care symbol ☺) with the "Low temperature" option.
- **Open jackets** to allow even drying.
- **Starched laundry** can be dried in the tumble dryer. The amount of starch should be doubled during the wash.
- Wash **new, colored items** before drying for the first time and do not dry with light-colored items. These fabrics can "bleed" (also onto plastic parts of the dryer). Colored lint may also get on the light colored items.
- **Wool and wool blends** tend to felt and shrink. Dry wool and wool blends in the "Woollen handcare" program.
- The fine fabric of **down filled items** tend to shrink. Dry these items in the "Smoothing" program.
- Dry **pure linen** items only if it is recommended on the fabric care label. The surface of the fabric may become "rough". Dry these items in the "Smoothing" program.
- **Knitted fabrics** (e.g. T-Shirts and underwear) tend to shrink when washed and dried for the first time. Do not overdry these fabrics.
- **Permanent press and delicate fabrics** tend to crease more the bigger the load size. For better drying results reduce the load size or select the "Shirts" program.

Use


1. Sort the laundry

- Loosen up the washed laundry.
- For even drying results sort by desired dryness, fiber/fabric, size and residual moisture after spinning.

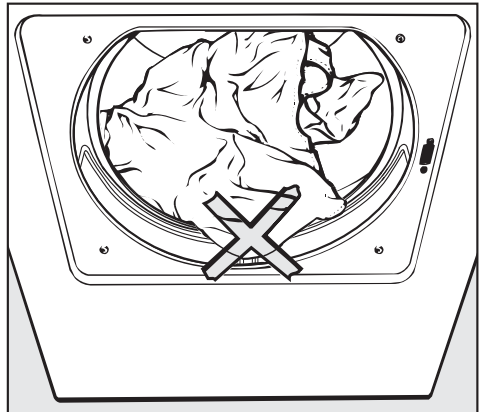
 Do not dry items that may melt or ignite in the dryer such as plastics, rubber or sneakers. They could melt and damage the laundry.

- Check hems and seams, be sure that no filling can come out.
- Comforter covers and pillowcases should be fastened in order to prevent small items from getting trapped inside of them.
- Close zippers, hooks and eyelets.
- Tie fabric belts and apron ties.
- Remove or sew up released bra underwires.

2. Load the laundry

- Use the  button to open the drum door.
- Load the laundry loosely into the drum.

Do not overload the drum. Overloading strains the fabrics and results in poor drying.



To prevent fabric damage, check that laundry is not caught in the closed door. Do not use softener sheets in this dryer. Silicates contained in these sheets could cause the dryer to overheat.

- Close the door with a firm swing or lean against the dryer and push it closed.

3. Select a program

Two program selection possibilities:

- Select a "Favorite" by pressing the respective direct select button.

or

- Select from the "Program selection" menu by turning the jog shuttle.

4. Select "Low temp." and/or "Timer"

- If desired select "Low temp." and/or "Timer" from the respective submenus.

Note:

The displayed duration (remaining time) can vary with every new program selection.

5. Insert coins (if operated by coin mechanism)

- If a coin mechanism operates the machine, please regard the displayed request to pay.

If the door is opened after the program has started or if the program is canceled the credit is lost.

6. Starting a program

"Start" flashes when the program can be started.

- Press the "Start" button.

The "Start" button lights.

- The display shows "Program start" and then "Drying" with the program duration.
- The drying levels are displayed, e.g. machine iron, hand iron, etc.

- Press one of the following buttons during the running program:

- Button 2 "Timer"
The time of day and the approximate program end is displayed.
- Button 3 "Save"
The currently running program can be saved as a "Favorite".
- Button 4 "Cancellation"
To cancel the currently running program.

Use

Remaining time

When a program is selected, the approximate duration is displayed. This is the "remaining time".

The program duration can vary due to some factors: residual moisture after spinning, fabric, load size, room temperature and voltage fluctuations.

The adaptive electronic adjusts to the individual load to display the accurate remaining time. The remaining time is constantly checked which can lead to leaps in time.

The "Woolens handcare" and "Smoothing" programs can be ended ahead of time once a certain temperature is reached. This may be the case with fine fabrics or if the dryer had some residual heat from a previous program.


Before the end of a program

After drying with hot air, the cool down phase finishes the program. "Cooling down" is displayed. Only after the cooling phase has ended is the program finished.

The programs: "Woollen handcare" and "Smoothing" do not have a cooling down phase.

7. At the end of a program

"Anti-crease" (if selected) and "End" mark the end of a program in the display. During the anti-crease phase the drum will turn in intervals if the laundry is not immediately removed from the dryer to prevent the laundry from wrinkling. Run time 1 h.

- Use the  button to open the drum door.
- Remove the laundry.

Check the drum for any missed pieces of laundry. Any items left in the dryer can be damaged because of over-drying.

If the door stays open, the light goes off after a few minutes (saving energy).

- Close the door.

Cleaning and care hints

- See "Cleaning and Care".

Coin mechanism

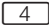

For coin mechanism operated machines: Money or tokens will be lost when the door is opened after program start or when canceling a program.

Technical Service can set a time frame when a program can be changed.


Canceling a program


- Press the  button "Cancel".

The laundry is cooled down.

- Press  "Cancel" once more and "End" is displayed.
- Press the  button.
- Open and close the door.
- Select the new program.
- Press the "Start" button.

Adding/removing laundry during a drying program

- Press the  button.
- Open the door.

 Do not touch the rear of the drum while adding or removing items. Danger of burns due to high temperatures in the drum.

- Add or remove items.
- Close the door.

Continue drying








- Press the "Start" button.

Note

When the program cycle is changed the displayed remaining time may differ from the actual drying time.


Program guide

Programs may vary depending on the offerings of your machine.

Cottons		Load size: 14.3 lbs (6.5 kg)
Extra dry, Normal+, Normal		
Items	Single and multilayered cotton and linen laundry e.g. terry towels, beach towels, bath robes, T-Shirts, underwear, cottons bed linens, baby clothing, etc.	
Note	<ul style="list-style-type: none"> – Select "Low temp." for items with the fabric care symbol . – Select "Extra dry" for multilayered and thick items. – The "Extra dry" program should not be selected for jersey materials. Items may shrink. 	
Hand iron , Hand iron , Machine iron		
Items	Cotton or linen fabrics to be left damp for easier ironing. e.g. table cloths, bed linen, starched laundry, etc.	
Note	<ul style="list-style-type: none"> – Select "Low temp." for items with the fabric care symbol . – Roll up items until they are ironed to keep them moist. 	
Minimum iron		Load size: 7.7 lbs (3.5 kg)
Normal+, Normal, Hand iron 		
Items	Permanent Press items of cotton, mixed fabrics or synthetics. e.g. sweaters, dresses, pants, table cloths, etc.	
Note	<ul style="list-style-type: none"> – Select "Low temp." for items with the fabric care symbol . – Select "Hand iron " for crease-free drying and reduce the load size to (3.3 lbs) 1.5 kg. – Items will be dried wrinkle free, depending on fabric and load. 	

The load size is the dry laundry weight.

Program guide

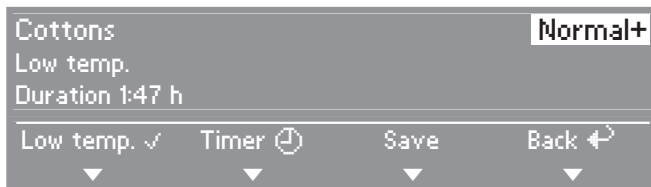
Woollen handcare		Load size: 5.5 lbs (2.5 kg)
Items	Woollen fabrics	
Note	<ul style="list-style-type: none"> – Woollen items will be loosened up and fluffed in a short time, but not completely dried. – Remove the items immediately after the program ends and allow them to air dry. 	
Smoothing		Load size: 6.6 lbs (3.0 kg)
Items	<ul style="list-style-type: none"> – Cotton or linen fabrics – Permanent Press items of cotton, mixed fabrics or synthetics. e.g. khakis, shirts, etc. 	
Note	<ul style="list-style-type: none"> – Program to reduce creasing after spinning in the washer. – Remove the items immediately after the program end and allow to air dry. 	
Cool air		Load size: 14.3 lbs (6.5 kg)
Items	To air items	
Warm air		Load size: 14.3 lbs (6.5 kg)
Items	<ul style="list-style-type: none"> – Final drying of multi-layer fabrics, with unique drying characteristics. e.g. jackets, pillows and large textiles. – Drying of single items: beach towels, bathing suits, etc. 	
Note	<ul style="list-style-type: none"> – Select "Low temp." for items with the fabric care symbol . – Do not select the longest drying for the first run. Check by testing which time is most suitable. 	

Program guide

Jeans		Load size: 7.7 lbs (3.5 kg)
Normal, Hand iron Δ		
Items	Denim fabric items, pants, jackets, skirts or shirts, etc.	
Shirts		Load size: 5.5 lbs (2.5 kg)
Normal, Hand iron Δ		
Items	Shirts and dress shirts.	
Outerwear		Load size: 7.7 lbs (3.5 kg)
Normal, Hand iron Δ		
Items	Outdoor clothing suitable to dry in a tumble dryer.	
Proofing		Load size: 5.5 lbs (2.5 kg)
Items	For dryer suitable items, e.g. ski and outdoor clothing, tablecloths and poplin items.	
Note	<ul style="list-style-type: none"> – This program has an additional step for water proofing. – Water proofed items must only be treated with a water repellent that is "Suitable for membrane textiles". These chemicals are based on flourochemicals. – Do not dry items which were treated with agents containing paraffin! This is a fire hazard. 	
Towelling		Load size: 14.3 lbs (6.5 kg)
Normal+		
Items	Terry laundry, e.g. towels, beach towels, bath robes.	

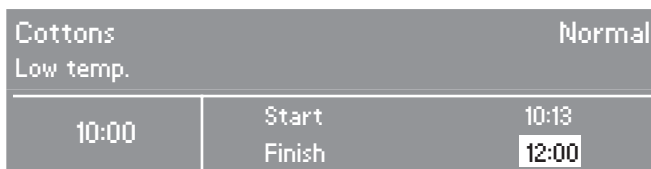
The timer allows the user to select the time of day for the program end. The program start can be delayed from 30 minutes to 24 hours.

Select the submenu Timer



- Press the direct select button **[2]**. The "Timer" menu shows.

Select the time



- Select the desired program end time with the jog shuttle and confirm.

The program end time is adjusted to the next full or half hour. The program start will be delayed in accordance with the desired program end time.

Starting the timer function

- Press the "Start" button.
The elapsed time is displayed and will count down in minutes.
The drum turns briefly every hour to prevent creases.

Canceling the timer

- Press the **[4]** button to cancel the timer.
- Press it once more to get back to the main menu.

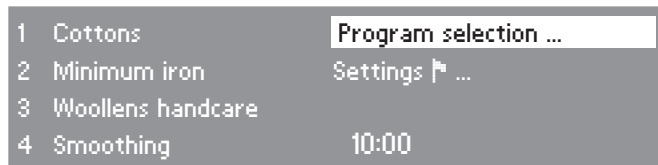
Favorites

The dryer has the option to save the most used drying programs on the direct select buttons. The option "Save" must be selected in "Settings - Supervisor level". Contact Technical Service for access to this level.

Selecting/Changing a Favorite

- Close the door.

Main menu



- Press the button.

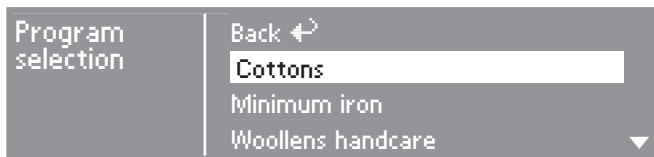
Basic menu



- Turn the jog shuttle to select the component you would like to adjust: program ("Cottons") or the drying level ("Normal").
- Press the jog shuttle to confirm the selection.

Depending on the selection the display shows one of the following submenus

– Select a program



- Select the desired program with the jog shuttle and confirm.

Important: If no selection is made in the submenu, the display will switch back to the basic menu after 20 seconds.

– Drying level programs



- Select and confirm the desired drying level with the jog shuttle.

The display shows the drying level range of each program.

– Program "Warm air", "Cool air"



- The duration can be extended or shortened with the jog shuttle (maximum 2 hr cold air / 1 hr warm air).

The program end time is displayed.

– other programs

The defined programs have a fixed drying level and duration and cannot be adjusted.

Favorites

Low temp.

To dry delicate items (fabric care symbol ☺) e.g. made from acrylic, press the "Low temp." button.

- The temperature is reduced and the program duration is extended.

■ Press the "Low temp." button.

Saving a Favorite

The basic menu shows all selected components.




■ Press the "Save" button.

Assigning a direct select button



- Select the desired number for the favorite with the jog shuttle and confirm. The favorite is saved with the individual selections and shown in the main menu.
- To assign more favorites, repeat the process with the remaining direct select buttons.

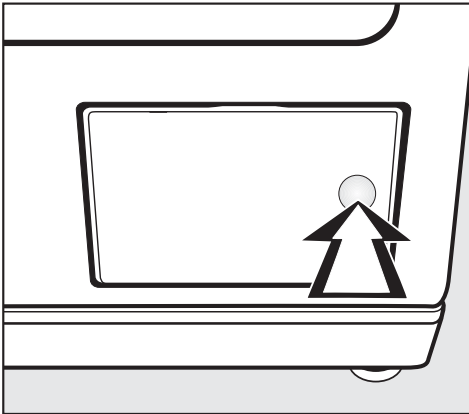
Cleaning the lint filter

 Check and clean the lint filter when the following message shows: "Clean the filters" or "Clean out airways".

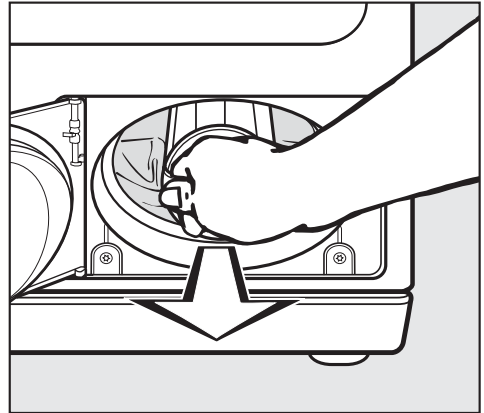
A two-piece lint filter in the dryer fan cavity collects the lint. It has to be removed and disassembled.

Note: Use a vacuum cleaner to clean the lint filter without touching it.

Removing the lint filter

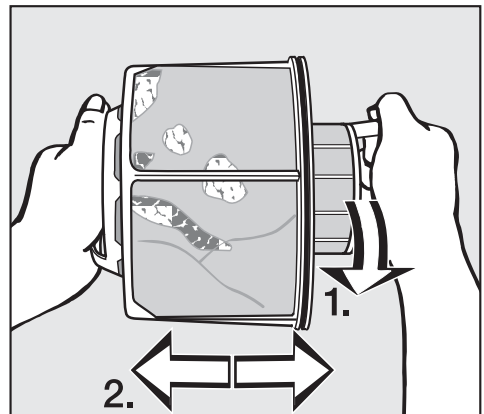


- Press on the right side of the flap to open it.



- Pull the lint filter out by its handle.

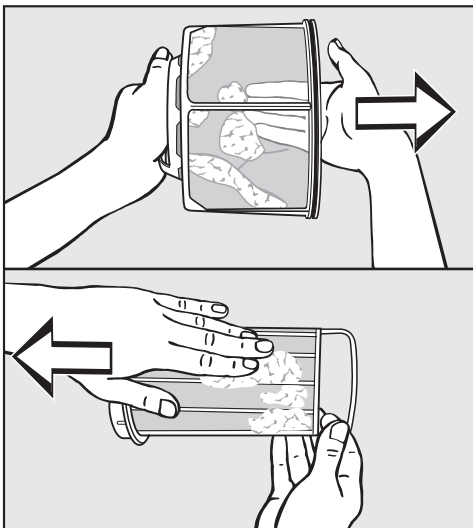
Disassembling the lint filter



- Hold the lint filter with both handles and twist the inner filter towards you, then pull apart (see illustration).

Cleaning and Care


Clean the lint filters - dry



- Remove the lint with your fingers or a vacuum.

Clean the lint filters - wet

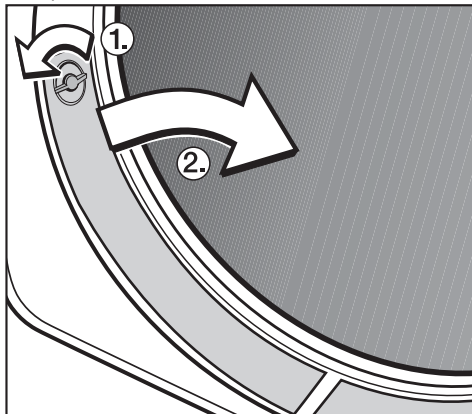
Rinse the lint filters only if clogged.

 Let the lint filters air dry before inserting them. The dryer efficiency can be affected by wet lint filters.

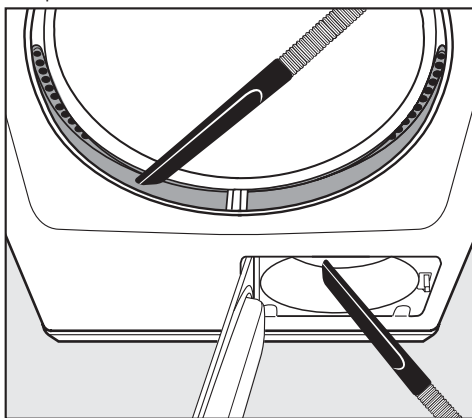
Cleaning the fan cavity

Check the fan cavity regularly. Clean **only** if heavily soiled.

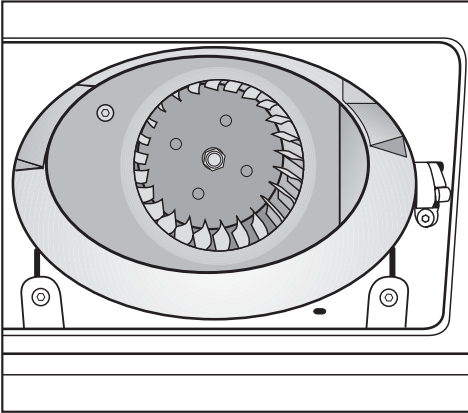
- Open the door.



- Turn the knobs, ①, of the left and right covers until they click.
- Holding by the knobs, pull the covers up, ②, and clean.



- Use a vacuum to clean the lint filter.
- Insert the covers and lock them in place by turning the knobs until they click.



The impeller in the dryer interior can become clogged with detergent residues or lint.

- Clean the impeller, the surrounding area and the inner part of the open flap carefully with a damp cloth. Take care not to damage the gasket.

Inserting the lint filter

- Interlock the inner and outer lint filter part.
- Turn the inner lint filter clockwise until it clicks into place.
- Hold the lint filter by its handle and push it into the fan cavity.
- The handle of the inner lint filter may be turned so that the filter can be conveniently inserted/removed.
- Close the lint filter flap.

Cleaning the exterior and the control panel

⚠ To reduce the risk of electric shock, disconnect the appliance from the power supply by unplugging or tripping the circuit breaker.

⚠ Do not use an abrasive cleaner, glass cleaner or all-purpose cleaner. They will damage the dryer.



⚠ Do not hose the dryer down.

- The exterior and the control panel can be cleaned with warm water and liquid dish soap applied with a soft sponge. Wipe dry using a soft cloth.
- Stainless steel parts can be cleaned with a non-abrasive stainless steel cleaner. Wipe clean with a soft cloth.

Frequently asked questions

Repairs to electrical appliances must only be carried out by a qualified and trained technician in accordance with local and national safety regulations. Unauthorized repairs could cause injury or machine damage. The manufacturer cannot be held responsible for unauthorized work.

Check and fault messages in the display

What if ...	Possible cause	Solution
 Adjust the load	This is not a fault. The electronic reads that no laundry is in the drum and cancels the program. Single items or already dried laundry can also cause a program stop.	Single items should be dried with a "Timed drying" program. To delete the message: – Open the door.
 Technical fault A numerical fault message shows, e.g. "F47".	The fault cannot be detected immediately. In some cases "Clean out airways" is displayed.	– See "Settings - Supervisor level - Cleaning the airways". To delete the message: – Confirm with "OK". If the problem persists contact Miele.

Frequently asked questions

What if ...	Possible cause	Solution
At the end of a program Clean filter or Clean the lint filter appears	The dryer reminds you to clean the lint filter.	<ul style="list-style-type: none"> – Remove and clean the lint filter. To delete this message: <ul style="list-style-type: none"> – Confirm with "OK".
	The cycle of the "Clean filter" message can be adjusted.	<ul style="list-style-type: none"> – See "Settings - Supervisor level - Cleaning the lint filters".
Clean out airways	The dryer does not work at its optimum or not efficiently. Possible cause: clogging by lint or detergent residues.	<ul style="list-style-type: none"> – Check all possibilities as described under "Other faults - The program runs too long or stops". To delete this message: <ul style="list-style-type: none"> – Confirm with "OK".
	The exhaust duct may be very long. This is not a fault.	With a long exhaust duct, program times and energy consumption increase.
		The "Clean out airways" message cycle can be adjusted. <ul style="list-style-type: none"> – See "Settings - Supervisor level - Cleaning the airways".
Program finish time changed	This is not a fault.	While the timer was counting down, the settings were changed or there was a power failure.

Frequently asked questions

Other faults		
What if ...	Possible fault	Solution
The program runs too long or stops.	In some cases "Clean out airways" is displayed. See "Settings - Supervisor level - Clean the airways". Open and close the dryer door.	
	The air supply is insufficient.	Open a window or door to increase the air flow.
	The lint filter is clogged with lint.	Remove the lint.
	The exhaust hose or the connection is clogged with lint.	<ul style="list-style-type: none"> – Check the exhaust parts regularly (e.g. wall vent duct, louvered wall vent, bends, etc.) for air permeability. – Remove the lint.
	The laundry was not spun sufficiently in the washer.	Spin laundry thoroughly before drying.
	The dryer has over-loaded.	Regard the maximum load size per program.
	Metallic zippers prevent a correct measurement of the laundry's residual moisture.	<ul style="list-style-type: none"> – Open the zippers of the laundry before drying. If the problem persists, dry items with long zippers using the "Warm air" program.
The laundry is not dry enough.	The load contained too many dissimilar items (size and fabrics.)	<ul style="list-style-type: none"> – Continue drying using the "Warm air" program. – See the "Program Guide" for suitable programs.

Frequently asked questions

What if ...	Possible fault	Solution
What if there is condensed water in the drum?	The non-return flap of the dryers' collective exhaust duct does not work correctly.	<ul style="list-style-type: none">- The dryer must only be installed with a non-return flap to a collective exhaust duct.- Check the non-return flap regularly for damages and replace if necessary.
Items made of synthetic fabrics have static cling after drying.	Synthetics are prone to static cling.	Use liquid fabric softener in the last rinse of the wash to minimize the static cling during drying.
Lint has built up.	Lint is the result of friction caused by items being worn and washed. This lint is loosened during drying. It has been established by research institutes, that dryers have no detrimental effects on the lifetime of fabrics.	The lint is collected in the lint filters and can be easily cleaned (see "Cleaning and Care").

Frequently asked questions

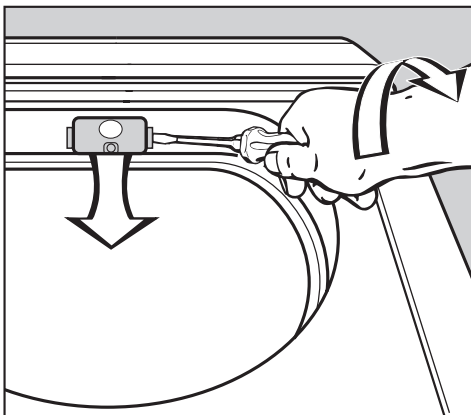
What if ...	Possible cause	Solution
A program cannot be started, the display remains dark.	The fault cannot be detected immediately.	<ul style="list-style-type: none"> – Is the dryer connected to the power mains? – Is the door closed? – Are the fuses blown?
The drum light does not come on.	The light turns off automatically (energy saving).	After closing and opening the door the light comes back on.
	The bulb may be bad or burnt out.	Change the light bulb. See "Dryer Care".
The display shows a foreign language.	A different language was selected under "Settings - Language 🇩🇪".	Select the desired language. The flag symbol leads you to the setting.
The "Start" indicator flashes when selecting a program.	This is not a fault. It indicates that the program can be started.	After the program is started, the indicator lights steadily.
The display is dark, the ring of light around the jog shuttle does not light. The "Start" indicator flashes slowly.	The display and the program selector go into "Standby" mode to save energy.	Press any button to turn the display and jog shuttle back on.
	If pressing a button does not bring the display and light back on, a fault has occurred.	Contact the Miele Technical Service Department.

Changing the light bulb

To reduce the risk of electric shock, disconnect the appliance from the power supply by unplugging or tripping the circuit breaker.

- Open the door.

The bulb cover is located along the upper rim of the drum opening.



- Slide a screwdriver with a wide head underneath the side edge of the bulb cover and twist (see illustration).
- Flip down the bulb cover.
- Replace the light bulb with a temperature proof bulb available from Miele.

The light bulb must not exceed the maximum wattage listed on the data plate.

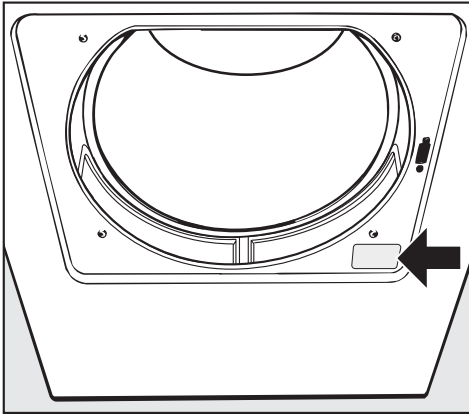
- Replace the light bulb with a new one.
- Flip the light bulb cover upwards and press it firmly into the left and right sides until it clicks into place.

⚠ Make sure the bulb cover is securely closed to prevent a short circuit from penetrating moisture.

After sales service

In the event of a fault which you cannot fix yourself, please contact the Miele Technical Service Department at the address on the back of this booklet.

When contacting the Service Department, please quote the model and serial number of your appliance. They can be found on the data plate located below the drum opening.

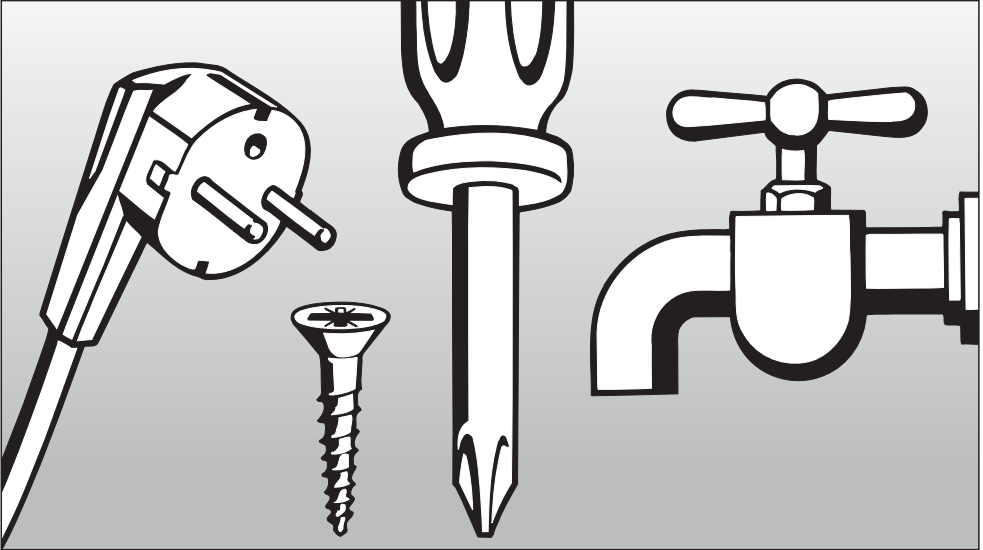


The **PC** indicator allows a service technician to check and update the drying programs.

The update allows future developments of fabrics, detergents and drying programs to be incorporated into the machine's electronic control.

Optional accessories

Optional accessories are available from Miele.



INSTALLATION INSTRUCTIONS

To prevent accidents
and machine damage
read these instructions

before
installation or use.

IMPORTANT SAFETY INSTRUCTIONS

WARNING - Risk of Fire

▶ To reduce the risk of severe injury or death, follow all installation instructions.

▶ Clothes dryer installation must be performed by a qualified installer.

▶ Install the clothes dryer according to the manufacturer's instructions and local codes.

▶ Check the packaging, the dryer and accessories for any signs of damage. Do not use a damaged appliance.

▶ Repair and maintenance work should be performed by a Miele authorized service technician. Work by unqualified persons could be dangerous and may void the warranty.

▶ Before installation, disconnect the dryer from the electrical supply by shutting off the power, unplugging the power cord or tripping the circuit breaker. Do not restore power until installation is complete.

▶ **GROUNDING INSTRUCTIONS**

This appliance must be grounded. In the event of a malfunction or breakdown, grounding will reduce the risk of electric shock by providing a path of least resistance for the electric current. This appliance is equipped with a cord having an equipment grounding conductor and a grounding plug. The plug must be inserted into an appropriate outlet that is properly installed and grounded in accordance with all local codes and ordinances.

▶ **WARNING** – Improper connection of the equipment grounding conductor can result in a risk of electric shock. Check with a qualified electrician, service representative or personnel if you are in doubt as to whether the appliance is properly grounded.

▶ Do not modify the plug provided with the appliance! If it will not fit the outlet, have a proper outlet installed by a qualified electrician.

▶ Do not use an extension cord to connect this appliance to the power supply. Extension cords do not guarantee the required safety of the appliance (e.g. danger of overheating).

▶ This dryer must be vented outdoors to reduce the risk of fire. Be sure to observe local building codes.

▶ Do not install a clothes dryer with flexible plastic venting materials. If flexible metal (foil type) duct is installed, it must be of a specific type identified by the manufacturer as suitable for use with clothes dryers. Flexible venting materials are known to collapse, be easily crushed, and trap lint. These conditions will obstruct clothes dryer airflow and increase the risk of fire.

▶ Use flexible or rigid metal pipe for venting. Non-metallic flexible hose should not be used, it is a potential fire hazard.

▶ The appliance shall not be exhausted into a chimney, a wall, a ceiling, an attic, a crawl space, or a concealed space of a building.

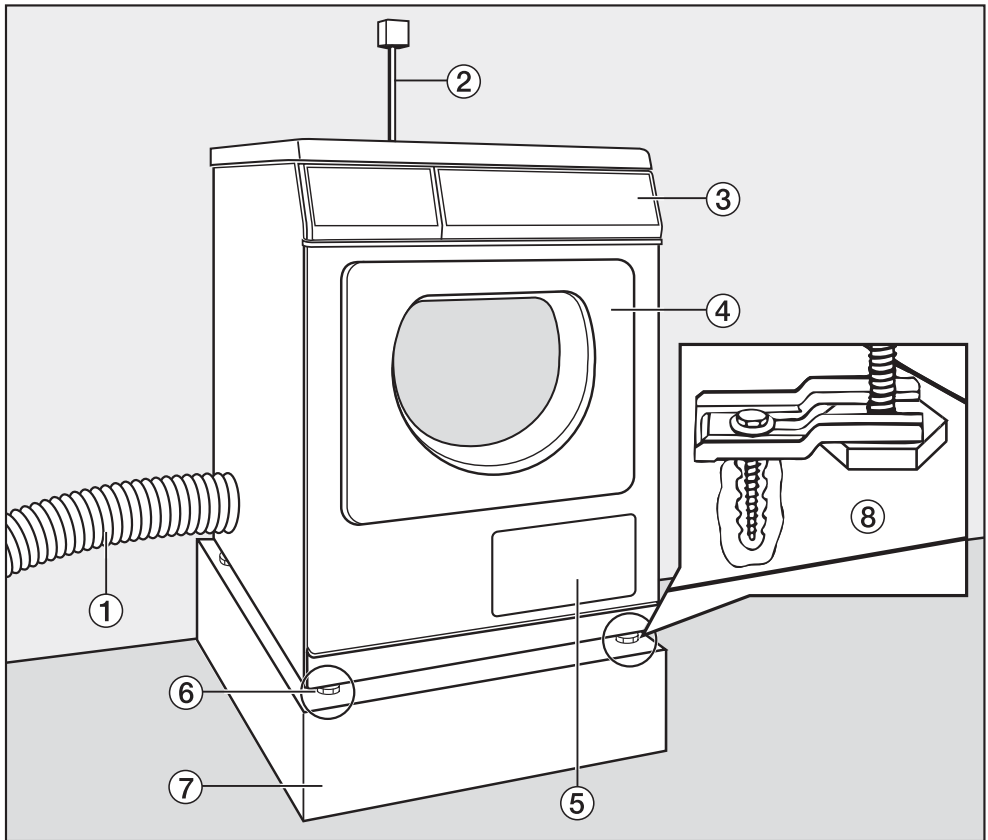
IMPORTANT SAFETY INSTRUCTIONS

- ▶ When installing multiple dryers to one collective exhaust duct, a non-return flap per dryer must be installed directly to the collective duct. Otherwise the dryers could be damaged and the electrical safety affected.
- ▶ The installation of this unit in non stationary locations (e.g. ships) must be performed by a qualified installer or service agency, in strict accordance with national and local safety regulations and standards.
- ▶ Do not install the machine in rooms where temperatures below freezing may occur.
- ▶ If there is any doubt concerning installation, contact Miele's Technical Service Department.

SAVE THESE INSTRUCTIONS

Installation

Front view



① Exhaust connection

The exhaust hose can be installed either at the rear, left or right of the dryer.

② Power cord

③ Control panel

④ Door

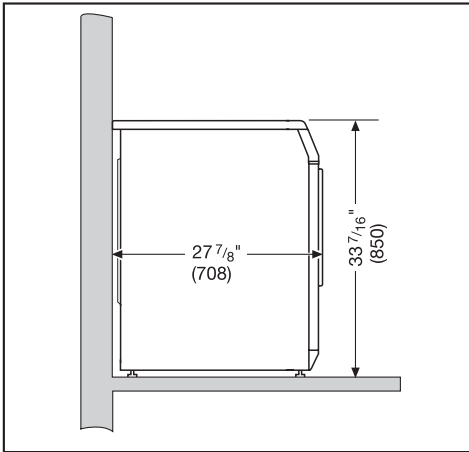
⑤ Lint filter flap

⑥ Four height adjustable feet

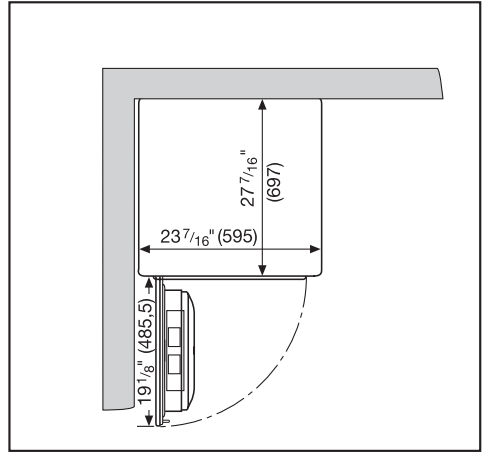
⑦ Stand

⑧ Retaining clips (for concrete stand)

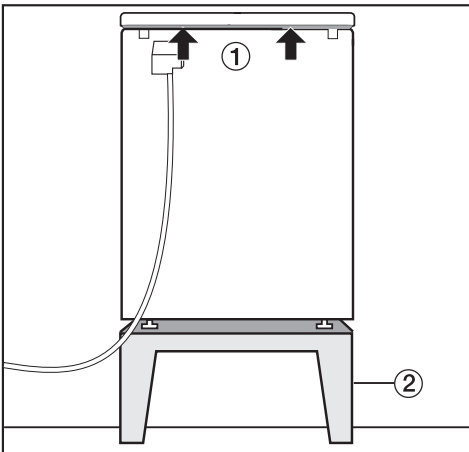
Side view



Top view

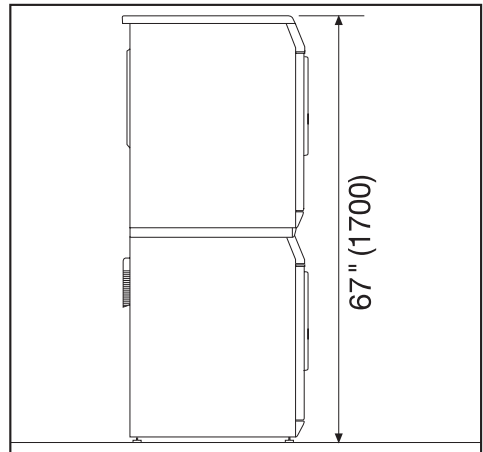


Rear view



- ① Lid over hang with transport grips (arrow)
- ② Stand (optional accessory)

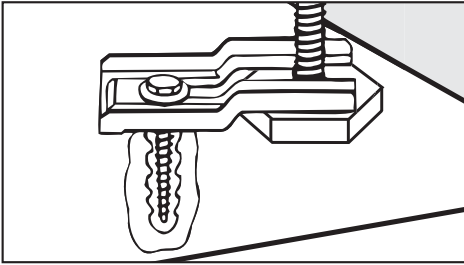
Washer/ Dryer Stack



The Miele dryer can be installed as part of a washer-dryer stack in combination with a Miele washer. An appropriate "stacking kit" available from Miele is required. Installation of the stacking kit must be completed by a Miele Service Technician.

Installation

Installation on a cement base




- Secure the front feet of the dryer with retaining clips on the cement base.


Coin mechanism

The dryer can be equipped with a coin mechanism (optional accessory). Miele's Technical Service will install the coin mechanism and program the electronic.

Empty the coin mechanism regularly to avoid jams.

 Do not install devices to automatically turn the dryer off, e.g. clock timers.

Installation

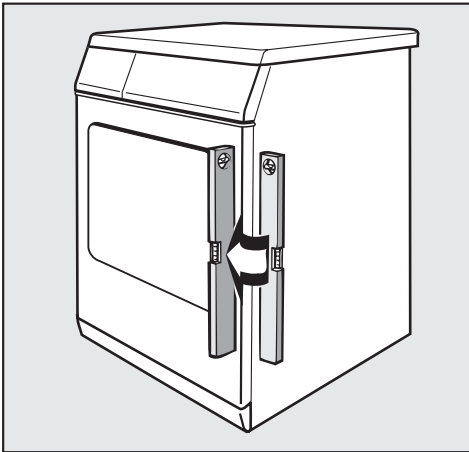
 Do not install a lockable or slide door in the pivoting area of the dryer door.

Transporting the dryer to the installation site

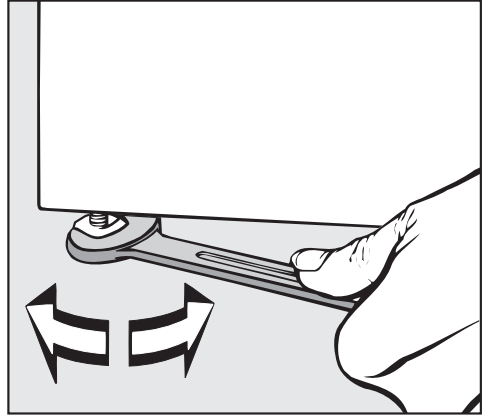
The rear overhang of the lid has transport grips.

- Use the front dryer feet and the rear overhang to transport the dryer from the packaging base to the installation site.


Level the dryer




The dryer must be level to ensure safe and proper operation.



- The machine can be leveled by turning the legs clockwise or counterclockwise as necessary.


 An air gap of $\frac{3}{8}$ " (10 mm) must be provided between the machine and the floor. The vents must not be blocked by toe kicks, long piled carpet, etc.

The appliance is not intended to be mounted in a wall or other vertical surface of a building or cabinet. The unit is allowed for built-in application.

 The machine may **not** be operated without the lid in place.

Installation

Electrical connection

 This installation should be performed by an experienced and qualified technician, in accordance with local codes and regulations.


The dryer comes with a power cord and NEMA L6-30 plug.


The machine is supplied for a connection to a 2 AC 208V 60Hz 2x30A, Single Phase Supply.

For extra safety it is advisable to install a residual current device (RCD) with a trip current of 30 mA.

The machine must only be connected to the voltage and frequency shown on the data plate.

General notes

 The dryer must only run if the moist exhaust air from the drying process is conducted outside by an installed exhaust duct vent.

 Disconnect the dryer from the power supply during installation of the exhaust duct.

The exhaust connection (e.g. a wall pipe) must be installed, so that the moist exhaust air cannot get drawn back into the installation room and cause constructional damage or unreasonable disturbance.

The room air, which is taken in when the dryer is in operation, is blown out via the exhaust vent. It is important, particularly if the room is small, to ensure adequate ventilation and air supply opening a window or installing unlockable ventilation openings in the wall., for example, will allow more air to enter the room. Otherwise drying times and energy consumption may increase.

Danger of suffocation by suction of exhaust fumes.

Installation of exhaust venting

How to calculate the effective duct length

The overall duct length will determine the duct diameter (see the "Additional duct lengths" table). In Canada the exhaust duct must be 4" (102 mm) in diameter.

- Measure the actual duct length needed to go from the dryers exhaust connection to the vent outlet:
 1. Establish the number of elbows or bends necessary, noting the type of bend, angle and radius involved (see Table).
 2. Add the additional duct length (as derived by using the values specified in the table) and the actual duct length to get the effective length.

Note:

Maximum effective duct lengths:

4" (100 mm) diameter	66 ft (20 m)
5" (125 mm) diameter	132 ft (40 m)
6" (150 mm) diameter	328 ft (100 m)

If using flexible metal duct the total length must not exceed 7' 10" (2.4 m).

See the "Additional duct lengths" table for more information on maximum duct lengths and number of bends.

Using the ring adapter, up to an effective duct length of 33 ft (10 m), and a standard duct diameter of 4" (100 mm) will provide optimal drying times and energy consumption.

Do not use the ring adapter if the effective duct length is more than 33 ft (10 m).

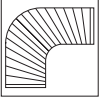

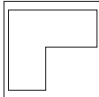
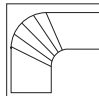
Effective duct lengths over 66 ft (20 m) require a larger duct diameter.

Longer ducts may lead to slight decreases in dryer efficiency if the necessary duct diameter is not employed.

Tips about the ductwork

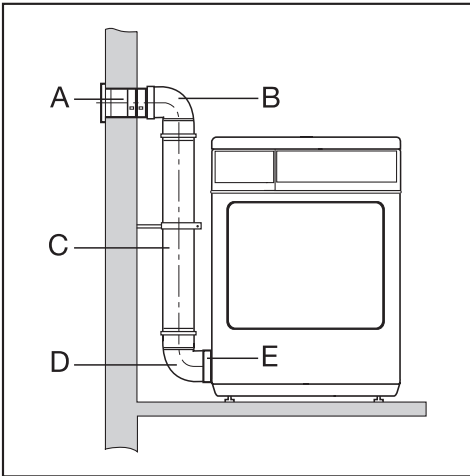
- Check with your local building codes to determine the maximum allowable duct length.
- Only use rigid or flexible metal duct for exhausting. Non-metallic flexible hose should not be used, it is a potential fire hazard.
- In the United States foil-type flexible ducts should only be used if identified for use by the manufacturer as compliant with the Outline for Clothes Dryer Transition Duct, Subject ANSI/UL 2158A. In Canada, only flexible metal (foil-type) ducts specifically identified for use by the manufacturer should be used.
- Use the wall vent or window connection (optional accessories) for venting outdoors.
- For optimal drying results avoid long ducting with too many bends, angles or tight corners.
- Do not assemble the duct with screws or other fastening devices that extend into the duct and catch lint.
- The shorter the exhaust ductwork, the more efficient the dryer will be. Expelled air is slowed down in the ducts due to friction against the inner walls. The shorter and smoother the inner walls are, the less friction will be created.
- An elbow or bend creates more friction than a straight duct. An additional duct length factor must be added for each elbow or bend (see Table). This factor expresses the resistance of the bend in terms of a straight length of duct. The additional length factor is then added to the existing duct to give the effective length. A larger duct diameter helps reduce friction. Therefore the duct diameter and length should be increased simultaneously.

Installation of exhaust venting

Additional duct lengths (4" rigid pipe only)				
Type of bend	Radius		Additional duct length	
	ft	cm	ft	cm
Flexible metal duct – 3' 3" (1 m) straight – 45° angle – 90° angle 	10"	25	5' 11"	180
	10"	25	4' 11"	150
			8' 2"	250
Smooth metal duct – 3' 3" (1 m) straight – 45° angle – 90° angle 	10"	25	3' 3"	100
	10"	25	1' 11"	60
			2' 7"	80
Elbow 90° sharp 			7' 6"	230
Concertina bend – 90° angle 	8"	20	2' 4"	70
Wall vent or window vent – with louvers – with flap			12' 5"	380
			4' 11"	150
Exhaust connection – left or right side			3' 3"	100

Installation of exhaust venting

Example: Calculating the effective duct length and required internal duct diameter



Rigid pipe		Duct length ft	Duct length m
A	Wall duct with louvered wall vent	12' 5"	3.8 m
B	90° bend	2' 7"	0.8 m
C	20" (0.5 m) rigid pipe	1' 7"	0.5 m
D	90° bend	2' 7"	0.8 m
E	left vent opening	3' 3"	1.0 m
Total duct length		22' 5"	6.9 m

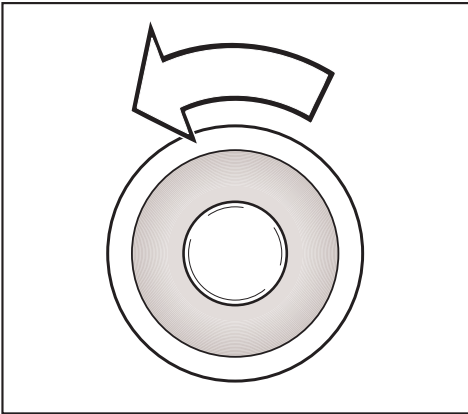
The total duct length is less than 33 feet (10 m), so a duct diameter of 4" (100 mm) with adapter is sufficient.

Installation of exhaust venting

Determining the position of the exhaust connection

The exhaust connection can be left at the rear of the dryer (factory standard) or moved to the left or right side of the dryer.

Changing the position of the exhaust connection



- Remove the cap by turning it counterclockwise.
- Press the supplied cover firmly into the rear opening.

Install the exhaust duct as follows.

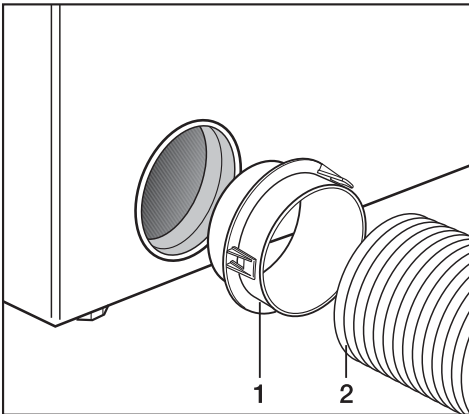
Installation of exhaust venting

Exhaust connection with a flexible exhaust hose or rigid pipe

Using the connector supplied, an exhaust hose (4" [100 mm] diameter) can be installed.

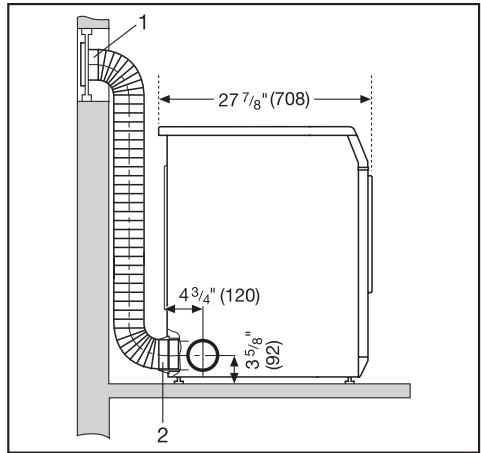
Necessary materials:

- the supplied connector
- a wall or window duct (optional accessory)
- an exhaust hose made of approved non-flammable material.
- rigid pipe is more suitable for long ducts (less friction)



- Install the connector, **1**, with the exhaust hose or pipe, **2**, to the dryer.

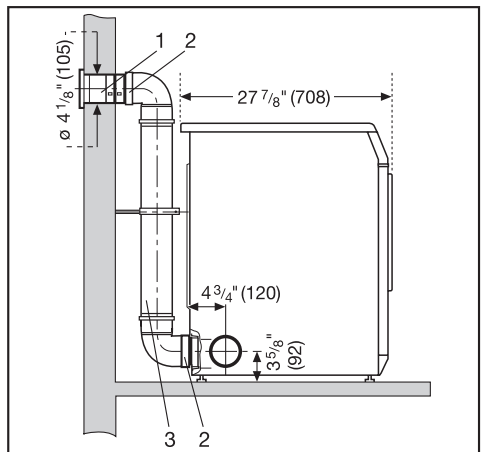
Window connection



1 Window connection (installed in an "plexiglass" pane)

2 Connector for the flexible exhaust hose

Wall connection with rigid pipe



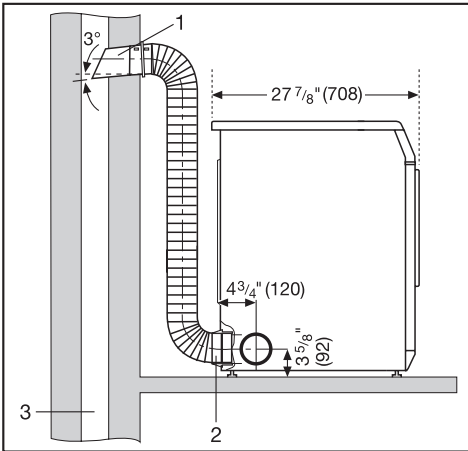
1 Wall pipe

2 Connector


3 Rigid pipe

Installation of exhaust venting

Chimney connection



- 1 Pipe with connection nozzle
(= single parts of the Miele wall pipe)
- 2 Connector for the flexible exhaust hose
- 3 Chimney, humidity insulated

 The appliance must not be connected to a chimney or vent flue which is in use. Neither should it be connected to ducting which ventilates rooms with fireplaces.

Installation of exhaust venting

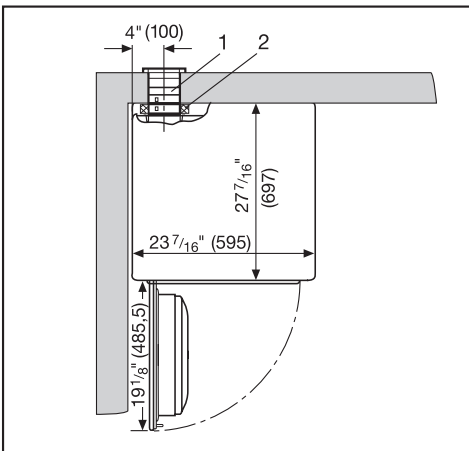
Direct wall connection

This venting type is ideal if the dryer can be installed directly to an outer wall. The shorter the exhaust ductwork, the more efficient the dryer will be. However, for the wall pipe to be installed a hole must be cut through the outer wall. Regard the Install manual for the Miele wall pipe and the dimension illustrations below.

Necessary materials:

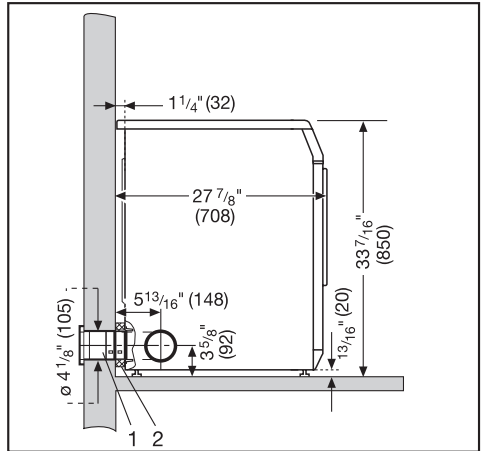
- wall pipe (optional accessory)
- a flexible spacer ring (optional accessory)

Dryer top view

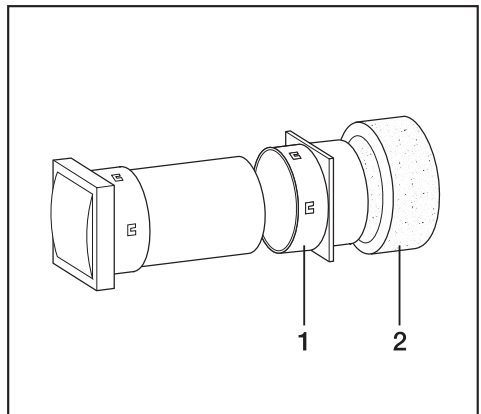


- 1 Wall pipe
- 2 Flexible foam gasket (space ring)

Dryer side view



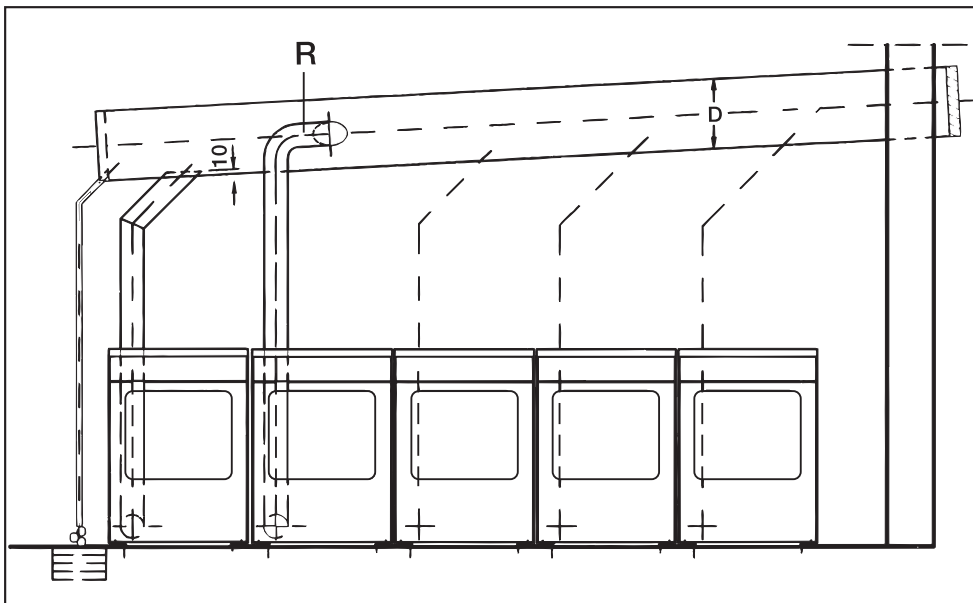
- 1 Wall pipe
- 2 Flexible foam gasket (space ring)




- Connect the flexible space ring, 2, to the wall pipe connector, 1.
- Push the dryer to the wall.

Installation of exhaust venting

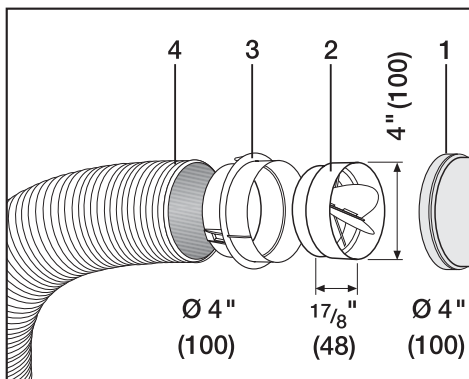
Collective exhaust duct



 A non-return flap* (optional accessory, see right picture) per dryer must be installed directly into the collective exhaust duct. Otherwise the dryers can be damaged and the electrical safety compromised.

When installing multiple dryers, increase the duct diameter.

Number of units	Increasing factor for duct diameter from table 2
2	1
3	1.25
4 - max. 5	1.5



- 1 Connection to collecting duct
- 2 Non-return flap*
- 3 Additional adapter*
- 4 Vent hose*

■ Push the non-return flap, 2, into the adapter, 3.

Technical Data

Height	33 $\frac{7}{16}$ " (850 mm) (adjustable + / - $\frac{1}{4}$ " (7 mm))
Width	23 $\frac{7}{16}$ " (595 mm)
Depth	27 $\frac{9}{16}$ " (700 mm)
Depth with the door open	46 $\frac{3}{4}$ " (1,188 mm)
Weight	123 lbs (56 kg)
Drum	28.6 gal (130 l)
Maximal load	14.3 lbs (6.5 kg) Dry laundry weight
Power cord	63" (1.6 m)
Fuse rating	see data plate
Rated load	see data plate
Fuse rating	see data plate
Light load	see data plate
Maximum floor pressure during operation	approx. 159 lbs (72 kg)
Noise level	< 70 dB (A)

Caring for the environment

Disposal of the packing materials

The cardboard box and packing materials protect the appliance during shipping. They have been designed to be biodegradable and recyclable.

To prevent suffocation, ensure that any plastic wrappings, bags, etc. are disposed of safely and kept out of the reach of children.

Disposal of an appliance

Old appliances may contain materials that can be recycled. Please contact your local recycling authority about the possibility of recycling these materials.

Ensure that a discarded dryer presents no danger to children. While being stored for disposal remove the door to the drying compartment.

Menu Settings to adjust standard settings

The dryer controls can be adjusted to changing demands through the settings.

Depending on default settings:

- some settings are visible and can be changed by all users (Menu "Settings ")

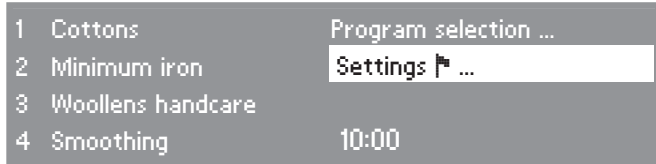
or

- all settings are locked in the "Supervisor level" by a code (Menu "Settings - Supervisor level").

Contact Miele Technical Service.

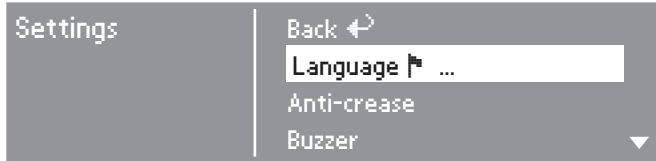
Settings 🚩

Opening the menu Settings



- Select "Settings" 🚩 in the main menu and confirm by pressing the jog shuttle.

Selecting Settings




- Select the setting to be changed and confirm.


If no selection is made in the submenu, the display will switch back to the "Settings" menu after 20 seconds.

Leaving the Settings menu

- Select "Back" and confirm. The display shows the main menu.

Language

The displayed language can be set in the submenu "Language 

The flag behind the word "Language 

 is a guide to find the settings menu in case a foreign language is selected.

- Select the desired language and confirm.

The change is only valid for the current program. At the end of the program the display language will change back to the language set in the "Settings - Supervisor level".

The display will change back to the default language setting if no further entry is made within 15 seconds after setting a new language.

Anti-crease

The drum will continue to turn in intervals for one hour after the program has ended if the laundry is not immediately removed.

Default setting: **on**

Buzzer

When the buzzer is selected a tone sounds at the end of the program.

off

The end-of-program buzzer is turned off (default setting).

However, it does not turn off the warning tone which indicates a fault message.

normal

The buzzer sounds "normal" at the end of a program.

loud

The buzzer sounds "loud" at the end of a program.

Time of day

The selection allows the clock to be shown as 24 hours, 12 hours or not at all. Afterwards the clock will be set to the current time of day.

If the option "Time not displayed" is selected, the "Timer" will be displayed as a 24 hour clock.

- Select the desired clock display and confirm.

The display changes to the clock setting.

- Select the hour with the jog shuttle and confirm. Select the minutes and confirm. The time of day is saved.

Contrast/Brightness

Display contrast and brightness can be adjusted in 10 levels.

The bar shows the selected level.

Standby

The display goes into standby mode after 10 minutes and the "Start" button flashes slowly to save energy.

on

Standby is turned on:

- when no program is selected.
- after pressing the "Start" button.
- at the end of a program.

not during current program (default setting)

Standby is turned on:

- when no program is selected.

Pressing any button or turning the jog shuttle turns the display on again.

off

The display stays turned on.

Lengthening the cooling time

The cooling phase can be lengthened before the program is started. The laundry will be cooled.


The bar shows the selected level.

Delivery status: 0 minutes (normal cooling down phase).

- The program duration is extended respectively.

The cooling time cannot be extended in the programs "Warm air, Cool air, Woollen handcare, Smoothing".

Settings - Supervisor level

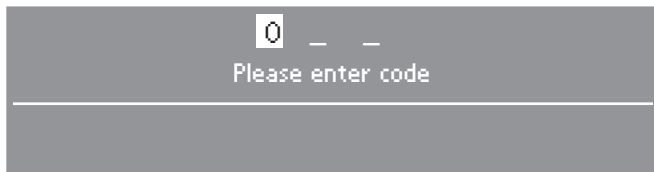
The menu "Settings - Supervisor level" is locked with a code to prevent unauthorized access (except Language ). It must be activated by Technical Service.



- Select "Access via code" and confirm.

Entering the code

- Enter the code "0 0 0" (factory default).
If a wrong code is entered three times, the code entry will be locked for 1 hour.



- Turn the jog shuttle until the first digit shows. Confirm the digit. Enter the second and third digits.




- Confirm the code.

Settings - Supervisor level

Language

The display contents can be shown in different languages.

The fixed default language can be set in the submenu "Language 

- Select the desired language and confirm with "OK".

Sort languages

The order of the first 4 languages in the display can be set, when the option "Language menu - international" or "Language menu - International 4 languages" is selected.

Supervisor level

The access code for the supervisor level can be changed.

- Enter the old code.
- Enter the new code.

Once the new code is confirmed, the display will show the beginning of the "Settings" menu.

Controls


The controls can be set to "Household" (default setting) or laundromat version "WS-KW buttons simple".

WS-KW = Waschsalon-Kurzwahltaeten (Laundromat-Direct select buttons)

The laundromat version displays the four pre-set favorite programs which cannot be changed by the user.

The use is simplified by the direct select buttons - .

- Select the four favorite programs first before activating the laundromat version, see "Favorites".

 Caution: When selecting the laundromat version and exiting the "Settings - Supervisor level", the option "Settings" will no longer be listed. The supervisor level can no longer be opened. Contact Technical Service to adjust more settings.

- The basic menu of a program cannot be opened with the jog shuttle.
- The components "Gentle", "Timer", "Save" and "Program selection" are deactivated.
- The time of day is not shown.
- The "Settings" and the "Supervisor level" can only be accessed by Technical Service.

Language entry

A selection can be set to show an additional welcome menu with language selection before the entry menu and at the end of the program.

national:

no additional welcome menu

international:

The welcome menu shows. A language must be selected. All languages are available. See "Sort languages".

international 4 languages:

The welcome menu shows. A language must be selected. Four languages are available. See "Sort languages".

Timer

The timer allows the user to select the time of the program end, see "Timer". "active" or "inactive" (without function) are available.

When pressing the "Timer" button, the "inactive" option (default setting) shows only the program duration, the estimated time of day of the program end and the current time of day.

Drying levels

The bars show the selected level.
Factory default: medium level

- The program duration shortens (more moist) or lengthens (more dry).

Drying level "Cottons" and "Minimum iron"

The drying level of "Cottons" or "Minimum iron" can be adjusted.

Drying level "Cottons" and "Machine iron"

This drying level can be adjusted.

Settings - Supervisor level

Cleaning the airways

The lint filters must be cleaned after every drying cycle. Additionally the indicator "Clean out airways" lights once a certain level of lint is collected. The user can decide at which level of lint collection the indicator should come on.

off

"Clean out airways" does not light up

heavy

"Clean out airways" shows only when large amount of lint is collected.

normal

Factory default

light

"Clean out airways" shows even when a small amount of lint is collected.

Cleaning the lint filters

The display "Clean filter" reminds the user to clean the lint filter. The user can decide after how many operating hours this reminder should show.

The setting depends on the amount of lint. Adjust the interval depending on the use of the dryer.

Factory default: after 20 hours.

Display the residual moisture as a percentage

In addition to the drying levels, the residual moisture as a % can be displayed in the program cycle.

Factory default: without percent indication

Cool air free

If the dryer is used with a coin mechanism, the program "Cool air" can be provided free of charge.

free (factory default)

Please have the model and serial number of your appliance available before contacting Technical Service.

The Miele logo is displayed in a bold, white, serif font against a solid black rectangular background.

U.S.A.
Miele, Inc.

National Headquarters

9 Independence Way
Princeton, NJ 08540
Phone: 800-843-7231
609-419-9898
Fax: 609-419-4298
www.mieleusa.com

**Technical Service & Support
Nationwide**

Phone: 800-999-1360
Fax: 888-586-8056
TechnicalService@mieleusa.com

Canada
Miele Limited

Headquarters and Showroom

161 Four Valley Drive
Vaughan, ON L4K 4V8
Phone: 800-643-5381
905-660-9936
Fax: 905-532-2290
www.miele.ca
professional@miele.ca
(commercial enquiries)

MieleCare National Service

Phone: 800-565-6435
905-532-2272
Fax: 905-532-2292
customercare@miele.ca
(general and technical enquiries)

Free Manuals Download Website

<http://myh66.com>

<http://usermanuals.us>

<http://www.somanuals.com>

<http://www.4manuals.cc>

<http://www.manual-lib.com>

<http://www.404manual.com>

<http://www.luxmanual.com>

<http://aubethermostatmanual.com>

Golf course search by state

<http://golfingnear.com>

Email search by domain

<http://emailbydomain.com>

Auto manuals search

<http://auto.somanuals.com>

TV manuals search

<http://tv.somanuals.com>