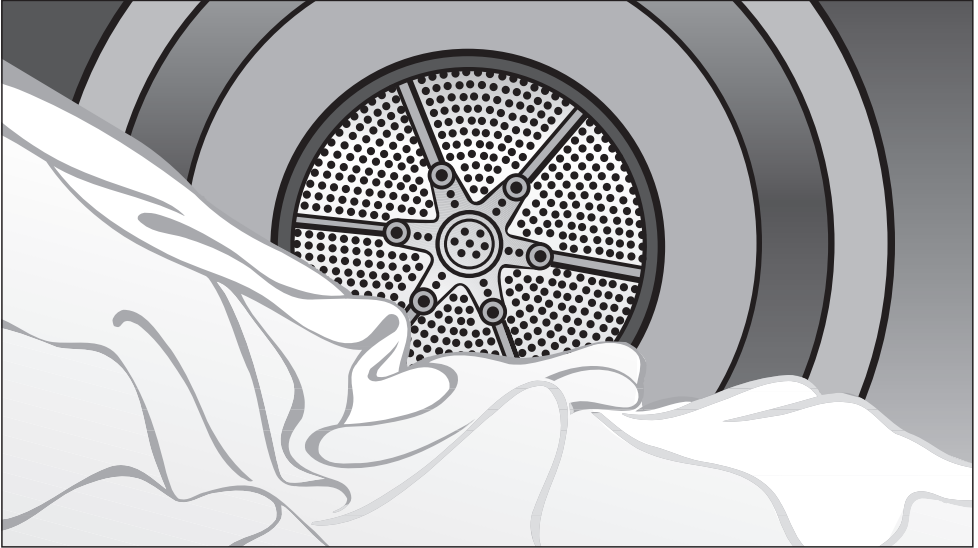


Miele

HONEYCOMB CARE



Operating instructions for condenser tumble dryer T 4809 Ci

To avoid the risk of accidents
or damage to the appliance
it is **essential** to read these
instructions before it is installed
and used for the first time.

en - GB

M.-Nr. 06 984 111

Caring for the environment

Disposal of the packing material

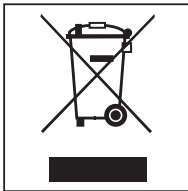
The transport and protective packing has been selected from materials which are environmentally friendly for disposal and can normally be recycled.

Ensure that any plastic wrappings, bags etc. are disposed of safely and kept out of the reach of babies and young children. Danger of suffocation!

Rather than just throwing these materials away, please ensure they are offered for recycling.

Disposal of your old appliance

Electrical and electronic appliances often contain materials which, if handled or disposed of incorrectly, could be potentially hazardous to human health and to the environment. They are, however, essential for the correct functioning of your appliance. Please do not therefore dispose of your appliance with your household waste.



Please dispose of it at your local community waste collection / recycling centre or contact your Dealer for advice. Ensure that it presents no danger to children while being stored for disposal.

Energy saving tips

To avoid unnecessarily long drying times and high consumption of energy:

- Make sure that your laundry is thoroughly spun before drying.

The higher the spin, the greater the savings that can be made in energy and time during drying.

- Load according to the optimum amount of laundry recommended for the programme being used (see Programme chart).

Underloading is uneconomical.

Overloading gives a poorer quality of drying and may cause unnecessary creasing.

- Make sure the room in which the dryer is located is well ventilated.
- Make sure the fluff filters are clean before using the dryer.
- Check the condenser unit from time to time and clean it when necessary.

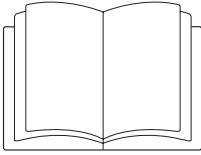
Caring for the environment	2
Warning and Safety instructions	6
Operating the tumble dryer	10
Control panel	10
Notes on laundry care	12
Care symbols	12
Tips on drying	12
How to dry correctly	13
Brief instructions	13
Extra options / Delay start	16
Low temperature	16
Buzzer	16
Delay start	16
Programme chart	17
Changing the programme sequence	20
Once a programme has started	20
- changing the programme	20
- cancelling the programme and then selecting a different programme	20
- cancelling the programme and then removing the laundry	20
Altering Delay start	20
Adding or removing laundry after a programme has started	20
Time remaining	20
Electronic system lock	21

Contents

Cleaning and care	22
Emptying the condensed water container	22
Cleaning the fluff filters	23
Cleaning them whilst dry	23
Cleaning them with water	24
Cleaning the tumble dryer	25
Cleaning the condenser unit	26
Removing the condenser unit	26
Checking the condenser unit	27
Cleaning the condenser unit	27
Replacing the condenser unit	28
Problem solving guide	29
Check and fault messages	29
Other problems	31
Changing the lamp	34
After Sales service	35
Repairs	35
Future updates (PC)	35
Appliance guarantee	35
Optional accessories	35
Installation	36
Front view	36
Installation site	37
Building under a continuous worktop / in a kitchen run	37
Aligning the appliance	38
Room in which the dryer is located	38
Washer-dryer stack	38
Before moving the tumble dryer again (e.g. when moving house)	38
Matching the fascia panel to the height of adjacent drawer fronts	39
Removing the spacer bars	39
Fitting the front panel	40
Front panel dimensions	40
Fitting the front panel	40

Fitting a door front panel made by another manufacturer	41
Preparing the front panel	41
Preparing the fixing points	42
Fitting a plinth facing	43
External condensed water outlet	44
Arranging the drain hose	44
External drainage via a sink or gully	45
Installation conditions requiring a non-return valve	45
Electrical connection	47
Electrical connection U.K.	47
Consumption data	48
Technical data	49
Programmable functions	51
Extending the range of the drying levels	51
Altering the volume of the buzzer	52
Memory function	53
Extending the cooling down time	54
Clean out airways indicator	55
Keypad tone	56
Adjusting the dryer's electronics for very soft water	57

Warning and Safety instructions



► It is **essential** to read these instructions.

This tumble dryer conforms to current safety requirements. Inappropriate use can, however, lead to personal injury and damage to property.

To avoid the risk of accidents and damage to the tumble dryer, please read these instructions carefully before using it for the first time. They contain important information on its safety, installation, use and maintenance.

Keep these instructions in a safe place and ensure that new users are familiar with the content. Pass them on to any future owner.

Correct application

► This tumble dryer is for domestic use only and can only be used to dry items which have been washed in a water solution and which are marked on the manufacturer's care label as being suitable for tumble drying. "Dry cleaning kits" for freshening up garments in a tumble dryer are increasingly available on the market. If using, do so at your own risk, and follow the instructions provided on the packaging.

Any other applications may be dangerous. Miele cannot be held liable for damage resulting from incorrect or improper use or operation.

► This appliance is not intended for use by persons (including children) with reduced physical, sensory or mental capabilities, or lack of experience or knowledge, unless they are supervised whilst using it or have been shown how to use it by a person responsible for their safety.

Safety with children

► Keep children away from the tumble dryer at all times. It is not a toy! To avoid the risk of injury do not allow them to play on or near it or to play with its controls. Supervise children whilst you are using it.

► Older children may only use it if its operation has been clearly explained to them, and they are able to use it safely, recognising the dangers of incorrect use.

Technical safety

▶ Before setting up the tumble dryer, check it for any externally visible damage.

Do not install or use a damaged tumble dryer.

▶ Before connecting the tumble dryer, ensure that the connection data on the data plate (voltage and connected load) match the mains electricity supply. If in any doubt, consult a qualified electrician.

▶ The electrical safety of this tumble dryer can only be guaranteed when continuity is complete between it and an effective earthing system which complies with current local and national safety regulations. It is most important that this basic safety requirement is present and regularly tested, and where there is any doubt the household wiring system should be inspected by a qualified electrician. Miele cannot be held liable for the consequences of an inadequate earthing system (e.g. electric shock).

▶ Do not connect the tumble dryer to the mains electricity supply by an extension lead. Extension leads do not guarantee the required safety of the tumble dryer (e.g. danger of overheating).

▶ Unauthorised repairs could result in unforeseen dangers for the user, for which Miele cannot accept liability. Repairs should only be undertaken by a Miele approved service technician. Ensure current is not supplied to the tumble dryer until after maintenance or repair work has been carried out.

▶ Faulty components must only be replaced by genuine Miele original spare parts. Only when these parts are fitted can the safety standards of the tumble dryer be guaranteed.

▶ If the connection cable is faulty it must only be replaced by a Miele approved service technician to protect the user from danger.

▶ In the event of a fault or for cleaning purposes, the tumble dryer is only completely isolated from the electricity supply when:

- it is switched off at the wall socket and the plug is withdrawn, or
- it is switched off at the mains, or
- the mains fuse is disconnected, or
- the screw-out fuse is removed (in countries where this is applicable).

▶ This tumble dryer may only be used in mobile installations such as ships if a risk assessment of the installation has been carried out by a suitably qualified engineer.

▶ In countries where there are areas which may be subject to infestation by cockroaches or other vermin, pay particular attention to keeping the tumble dryer and its surroundings in a clean condition at all times. Any damage which may be caused by cockroaches or other vermin will not be covered by the guarantee.

▶ Do not make any alterations to the tumble dryer, unless authorised to do so by Miele.

Warning and Safety instructions

Correct use

▶ To prevent the risk of fire, the following textiles must not be dried in this tumble dryer:

- items which have not been washed.
- items, such as workwear, which have not been thoroughly cleaned and which are still soiled with grease, oil or other deposits (such as cosmetics, lotions etc).
If items have not been thoroughly cleaned there is a danger that these might ignite when heated, even after they have been removed from the dryer at the end of the programme.
- items (e.g. mops and floorheads) which have been treated with inflammable cleaning agents or contain residues of acetone, alcohol, benzene, petrol, stain remover, turpentine, wax, wax remover or other chemicals.
- items which have been splashed with hair lacquer, hair spray, nail varnish remover or similar substances.

When washing such heavily soiled items ensure that you use sufficient detergent and select a high temperature. If in doubt, wash the items several times.

▶ To prevent the risk of fire, the following must not be dried in this tumble dryer:

- items which have been cleaned using chemicals (e.g. professional dry-cleaning agents).
- fabrics which contain a large proportion of rubber, foam rubber or rubber-like materials. For example, products made from latex foam rubber, shower caps, waterproof textiles, rubberised articles and items of clothing and pillows with foam rubber filling.
- damaged items which contain padding or fillings (e.g. pillows, jackets). When damaged, the filling can get out with the risk of igniting in the dryer.

▶ In many programmes, the heating phase is followed by a cooling down phase to ensure that the items are not too hot to handle when you remove them (this also avoids the danger of the laundry self-igniting). The programme is not finished until the cooling down phase has been completed. Ensure that you always wait until the end of the programme before removing the laundry.

▶ **Warning:** Do not switch the tumble dryer off before the end of the drying programme. If this was done and the laundry was then removed immediately it could give off a great amount of heat.

▶ Fabric conditioner and similar products must be used according to the instructions on the manufacturer's packaging.

Warning and Safety instructions

▶ The dryer must not be used without the fluff filters in place or if the fluff filters are damaged in any way.

▶ The fluff filters must be cleaned regularly.

▶ The dryer must not be used without the condenser unit in place.

▶ The fluff filters must be thoroughly dried after cleaning. Damp or wet filters could cause operational faults.

▶ Do not install the tumble dryer in a room where there is a risk of frost occurring. At temperatures around freezing point the tumble dryer may not be able to operate properly. There is a risk of damage if the condensed water is allowed to freeze in the pump, hoses and / or condensed water container.

The ambient room temperature should be between +2°C and +35°C.

▶ If the water is drained externally through the drain hose instead of being collected in the condensed water container, make sure the drain hose is securely attached if you hang it in a sink or basin to avoid the hose slipping and the water causing damage.

▶ Condensed water is not drinking water.

It can cause health problems in both people and animals.

▶ Always keep the area around the tumble dryer free of dust and fluff. Dust drawn into the tumble dryer can cause blockages in the condenser unit over time.

▶ Do not let anyone sit or lean on the door, as this can cause the tumble dryer to tip up.

▶ Always close the door after use. This way you will avoid the danger of:

- children climbing onto or into the dryer or hiding things in it.
- pets or other small animals climbing into it.

▶ The tumble dryer must not be hosed down.

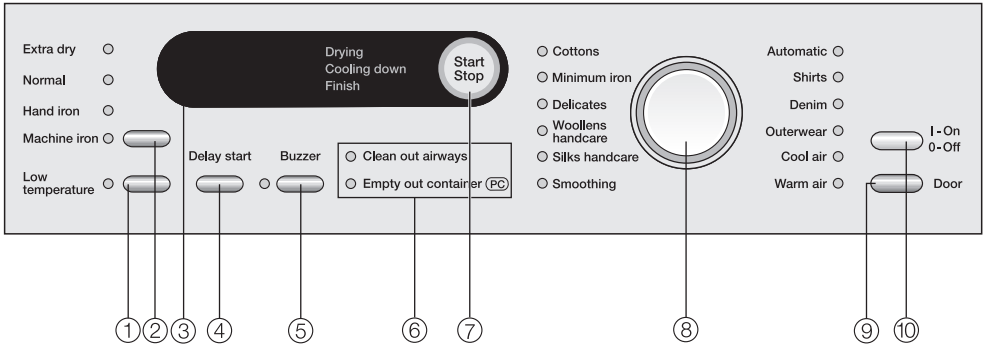
Accessories

▶ Only use genuine Miele spare parts and accessories with this appliance. If non-Miele parts are used, guarantee, performance and product liability claims may be invalidated.

Miele cannot be held liable for damage caused by non-compliance with these Warning and Safety instructions.

Operating the tumble dryer

Control panel



① **Low temperature button**

Delicate fabrics are dried at a lower temperature.

② **Drying level button**

with indicator lights

③ **Display**

④ **Delay start button**

This button is used for:

- Selecting the duration of the *Timed drying* programmes
- Delaying the start of a programme

⑤ **Buzzer button**

An audible tone sounds at the end of the programme.

⑥ **Check lights**

For a description of these lights see: "Problem solving guide" / "After sales service".

⑦ **Start/Stop button**

For starting the programme selected and cancelling a programme once it has started.

The indicator light flashes while a programme is being selected and then is on constantly when the programme has started.

⑧ **Programme selector**

with indicator lights

⑨ **Door button**

Pressing this button will open the door even when the dryer is switched off.

⑩ **On/Off button**

For switching the dryer on and off.

Display

The following are selected via the display:

- Delay start
- Duration of the Cool air and Warm air programmes
- Programmable functions

The display also shows:

- Programme duration
- Programme stage
 - Drying*
 - Cooling down*
 - Finish*
- Check and fault messages

Programme duration / Estimated time remaining

When a programme is selected, the estimated duration (time remaining) will appear in the display. Please be aware that it is only an estimate!

The following factors all affect the estimated time remaining: residual moisture content after spinning; type of fabric; size of load; room temperature; fluctuations in power supply.

The electronics continually assess conditions in the dryer and adjust the estimated time remaining for a more accurate reading. Because of this, the time displayed can alter during the course of a programme.

In the same way, the *Woollens handcare*, *Silks handcare* and *Smoothing* programmes can finish earlier than expected if a certain temperature is reached. This can happen with particularly fine fabrics, very small loads or if items were partly dry beforehand.

Delay start

The delay start time selected will appear in the display.

After the Start/Stop button has been pressed, the delay start time will start counting down.

Once the delay start time has elapsed, the programme will begin and the estimated programme duration will appear in the display.




Programmable functions

The programmable functions can be used to tailor drying programmes to suit your individual requirements. In programming mode, the display will show the function selected.

Notes on laundry care

Care symbols


Before drying check the drying symbol on the care label. If there are no symbols, dry at your own risk!

-  Dry at normal temperature
-  Dry at low temperature
-  Do not tumble dry

Tips on drying

- Always observe the maximum recommended loads given in the "Programme chart". Never overload the drum.

Overloading can cause unnecessary wear and tear to the laundry, give a disappointing drying result and cause more creasing.

- Do not put soaking wet items into the tumble dryer. Spin them thoroughly after washing using the appropriate spin speed.
- For delicates and fabrics with the following care label  select *Low temperature*.
- Use the *Automatic* programme for drying mixed loads of cottons and minimum iron fabrics.
- Open jackets so that they can dry evenly.
- Woollens and wool blends tend to become matted and shrink if dried in a tumble dryer. They can, however, be partially dried using the *Woollens handcare* programme.

- Down-filled garments have linings which have a tendency to shrink, depending on the quality of the item. They can be partially dried using the *Smoothing* programme.
- Pure linen should only be machine dried if specified as suitable by the manufacturer on the care label, as the surface of the fabric may otherwise become rough. They can be partially dried using the *Smoothing* programme.
- Loopknit garments (e.g. T-shirts and underwear) tend to shrink depending on their quality. Do not over-dry these textiles. When purchasing these garments it is advisable to take their shrinkage properties into account.
- For garments made from very fine weave fibres, such as shirts or blouses, only use the *Shirts* or *Delicates* programme to avoid creasing. If in doubt, reduce the load or use the *Smoothing* programme.
- Starched laundry can be dried in the tumble dryer. To achieve the usual finish, double the amount of starch should be used.
- New dark coloured garments should be washed and dried separately from light coloured garments to avoid the danger of colours running and discolouring other garments or even plastic components in the appliance. Dark coloured fibres can also settle on light coloured garments and vice versa.


Brief instructions

The headings numbered (1, 2, 3 ...) show the operating sequence and can be used as a brief guide to using your dryer.

1 Sort the laundry

To ensure an even drying result separate the washed laundry and sort it according to:

- ... the drying level required
- ... the type of fibre or weave
- ... size
- ... the moisture content after spinning.

 Make sure that objects e.g. detergent dispensing balls have been removed from the laundry. They could melt, and cause damage to the dryer or the laundry.

- Check seams and stitching to ensure that padding and linings are intact.
- Fasten duvet covers and pillow cases to prevent small items from being trapped inside them.
- Fasten hooks and eyes etc.
- Tie fabric belts and apron strings.
- Sew in or remove underwiring from bras.

2 Turn on the tumble dryer

- Switch the dryer on by pressing the *On/Off* button in.

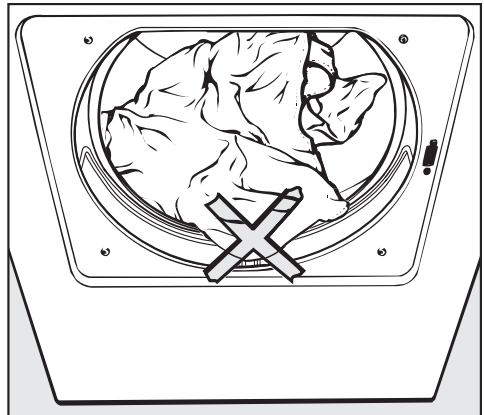
The tumble dryer may be switched on after loading, saving energy as the light will not come on.

3 Load the tumble dryer

- Press the *Door* button to open the door.
- Load the laundry loosely into the drum.

Do not overload the drum. See the "Programme chart" for recommended loads for each programme. Overloading can cause unnecessary wear and tear to the laundry and give a disappointing drying result.

- Before closing the door make sure the fluff filter is correctly positioned.

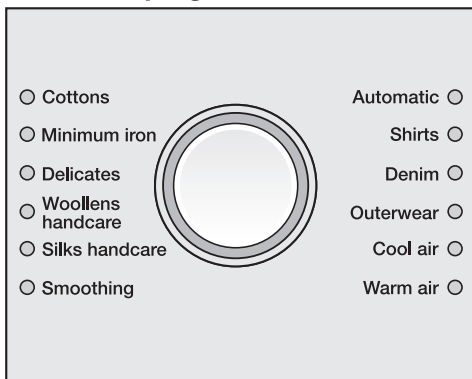


Check the laundry is right inside the drum so that it cannot get trapped or damaged when the door is shut.

- Shut the door either with a gentle swing, or lean against it and push it shut.

How to dry correctly

4 Select a programme

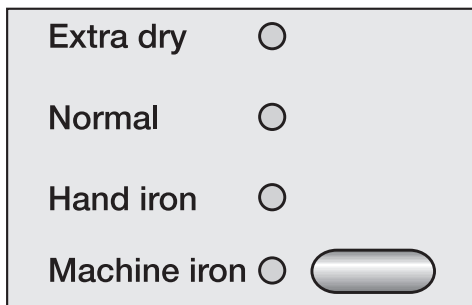


- Select the programme you want.

The indicator light for the programme selected will light up.

A drying level or extra option indicator light may also light up, and the duration may also be displayed.

Cottons, Minimum iron, Delicates, Automatic, Shirts, Denim and Outerwear programmes



- Press the Drying level button repeatedly until the indicator light for the drying level you want lights up.

Any of the drying levels can be selected for the *Cottons* programme. A more limited range is available when using other programmes.

Important: Please note that the programme duration shown in the display will vary according to the programme selected (see "Programme duration/Estimated time remaining").

The Woollens handcare, Silks handcare and the Smoothing programmes cannot be changed.

Timed drying programmes

The indicator light for the *Delay start* button will flash when the *Cool air* or *Warm air* programme is selected.

- Press the *Delay start* button repeatedly until the required duration shows in the display.

You can select a duration of **20** minutes up to **2:00** hours in 10 minute steps.

5 Select any Extra options / Delay start

- *Low temperature, buzzer and delay start* are selected by pressing the appropriate button (see "Extra options / Delay start"). *Anti-crease* (see next page) is permanently switched on.

N.B.: It is not possible to select Delay start when using the *Warm air* or *Cool air* programme.

⑥ Start the programme

The *Start/Stop* button will flash when a programme is being selected. The flashing indicates that a programme can be started.

- Press the *Start/Stop* button.

The *Start/Stop* button will now light up constantly.

Drying will appear in the display and the time remaining will start counting down.

Before the end of a programme

There is a cooling down phase at the end of the drying sequence (*Cooling down* will appear in the display). The programme will not finish until the cooling down phase has been completed.

There is no cooling down phase at the end of the *Woollens handcare*, *Silks handcare* and *Smoothing* programmes.

⑦ Remove the laundry when the programme has finished

0 and *Finish* will appear in the display to indicate that the programme has finished. The buzzer (if selected) will sound at intervals.

The drum will continue to rotate at intervals for up to an hour to prevent laundry creasing, if you do not wish to remove it immediately (*anti-crease*). There is no *anti-crease* phase at the end of the *Woollens handcare* or *Silks handcare* programmes.

- Press the *Door* button.
- Open the door.
- Remove the laundry.


Check that all items have been removed from the drum. If items are left in the dryer, they could be damaged by overdrying when the dryer is next used.

If the dryer is switched on at the mains and the door is opened, the drum lighting will come on. It will go out a few minutes later to save energy.

- Switch the dryer off by pressing the *On/Off* button.
- Clean the fluff filters.
- Close the door.
- Empty the condensed water container (unless the dryer has been connected for external drainage).
- The condenser unit should be checked at regular intervals and cleaned if necessary (see "Cleaning and care").

Extra options / Delay start

Low temperature

For all delicate or minimum iron fabrics with the  symbol on the care label (e.g. acrylic garments).

- The programme duration is longer.
- On some programmes *Low temperature* is a standard part of the programme and so cannot be deselected.

Buzzer

A buzzer sounds (at intervals for a maximum of 1 hr) to let you know the programme has finished.

The buzzer will still sound if there is a fault, even if it has been switched off.

Delay start

The start of a programme can be delayed by 30 minutes up to 24 hours to allow you to take advantage of economy electricity at night, for example.

After selecting a programme:

- Press the *Delay start* button repeatedly until the required delay period shows in the display.
- The *Delay start* indicator light will flash.
- Times of:
 - up to **10h** are selected in 30 minute steps
 - more than **10h** in 1 hour steps

- If you keep the *Delay start* button pressed in, the time will continue to increase up to **24h**.

To begin delay start

- Press the *Start/Stop* button.
- The *Delay start* indicator light will light up constantly.

The delay start time counts down towards the start of the programme as follows:

- more than **10h** by the hour
- less than **10h** in minutes

The drum will turn briefly every hour to help prevent creasing.

While the delay start time is counting down, you can still add laundry to the drum:

- Switch the dryer off.
- Open the door and add the laundry.
- Close the door and switch the dryer back on again.

To cancel/alter delay start

- Press the *Start/Stop* button.

This cancels delay start.

- To alter the delay start time, press the *Delay start* button repeatedly until the required delay period shows in the display.

- Press the *Start/Stop* button.

The altered delay start time will start counting down from the beginning again.

Programme chart

Cottons		Max. load 6 kg*
Extra dry, Normal**		
Fabric type	Single and multi-layered cotton fabrics such as towelling, jerseywear, T-shirts, underwear.	
Notes	<ul style="list-style-type: none"> – Select <i>Extra dry</i> for multi-layered and very thick fabrics. – Do not use <i>Extra dry</i> for loopknit fabrics (e.g. T-shirts, underwear), as they have a tendency to shrink. 	
Low temperature	Select the Low temperature option for delicate fabrics with the ☐ symbol on the care label.	
Hand iron**, Machine iron		
Fabric type	Cottons or linen fabrics, e.g.: table linen, bed linen, starched laundry.	
Note	– To prevent laundry from drying out it should be rolled up until you are ready for ironing.	
Low temperature	Select the Low temperature option for delicate fabrics with the ☐ symbol on the care label.	
Minimum iron		Max. load 3 kg*
Extra dry, Normal**, Hand iron		
Fabric type	Minimum iron items made of cotton, synthetic or blended fabrics, e.g.: shirts, blouses, skirts and table cloths.	
Notes	<ul style="list-style-type: none"> – Select <i>Hand iron</i> for delicate fabrics and to reduce creasing even more, reduce the load to 1.5 kg*. – In the Minimum iron programme with the <i>Hand iron</i> drying level, items are dried with very little creasing, depending on fabric type and amount of laundry. 	
Low temperature	Select the Low temperature option for delicate fabrics with the ☐ symbol on the care label.	
Delicates		Max. load 2 kg*
Normal, Hand iron		
Fabric type	Delicate items made of synthetic fibres, easy care cotton or blended fabrics, e.g. shirts, blouses, lingerie and appliquéd garments.	
Low temperature	Low temperature cannot be deselected.	

* Weight of dry laundry




** Note for test institutes: Use this programme without selecting Low temperature for testing according to EN 61121 Standard.

Programme chart

Woollens handcare		Max. load: 2 kg*
Fabric type	Woollen fabrics	
Note	<ul style="list-style-type: none"> – This programme only fluffs up woollen garments. – Fabrics are not completely dried in this programme. Remove garments as soon as the programme has finished and leave to finish drying at room temperature. 	
Low temperature	Low temperature cannot be deselected.	
Silks handcare		Max. load: 1 kg*
Fabric type	Silks, e.g. blouses and shirts.	
Notes	<ul style="list-style-type: none"> – Smooths out creasing. – Fabrics are not completely dried in this programme. Remove garments as soon as the programme has finished and leave to finish drying at room temperature. 	
Low temperature	Low temperature cannot be deselected.	
Smoothing		Max. load: 3 kg*
Fabric type	<ul style="list-style-type: none"> – Cotton and linen fabrics. – Minimum iron mixed fibre, cotton or synthetic items, e.g.: trousers, jackets, shirts. 	
Notes	<ul style="list-style-type: none"> – Smooths out creasing caused during the spin cycle in the washing machine. – Fabrics are not completely dried in this programme. Remove garments as soon as the programme has finished and leave to finish drying at room temperature. 	
Low temperature	Low temperature cannot be deselected.	

* Weight of dry laundry

Programme chart

Automatic		Max. load: 3.5 kg*
Normal, Hand iron		
Fabric type	Mixed loads of garments suitable for the <i>Cottons</i> and <i>Minimum iron</i> programmes. Sort according to colour.	
Shirts		Max. load: 2 kg*
Normal, Hand iron		
Fabric type	Shirts and blouses.	
Low temperature	Select the Low temperature option for delicate fabrics with the  symbol on the care label.	
Denim		Max. load: 3 kg*
Normal, Hand iron		
Fabric type	Denim garments, e.g. jeans, jackets, skirts, shirts.	
Low temperature	Select the Low temperature option for delicate fabrics with the  symbol on the care label.	
Outerwear		Max. load: 2 kg*
Normal, Hand iron		
Fabric type	Outerwear which is suitable for drying in a tumble dryer.	
Low temperature	Low temperature cannot be deselected.	
Cool air		Max. load: 6 kg*
Fabric type	Any item which only needs airing.	
Warm air		Max. load: 6 kg*
Fabric type	<ul style="list-style-type: none"> – Multi-layered fabrics whose layers have different drying characteristics, e.g. jackets, pillows. – For drying individual items, e.g. bath towels, bathing costumes, tea-towels and small loads. 	
Note	– Do not select the longest drying time to start with. Check the items as you are drying them to find the optimum time.	
Tip	You can use the <i>Warm air</i> programme to help remove odours from cotton clothing which has been worn but it still clean (select a duration of between 1/2 and 1 hour). Items must be suitable for drying in a tumble dryer. Dampen the garments a little beforehand or add a fabric conditioner sheet. The Warm air programme will not be as effective at removing odours from any parts of the garments which are made of synthetic fibres.	
Low temperature	Select the Low temperature option for delicate fabrics with the  symbol on the care label.	

* Weight of dry laundry

Changing the programme sequence

Once a programme has started

- changing the programme

You cannot change to another programme once a programme has started (this prevents unintentional alterations).

You will need to cancel the current programme before you can select a new one.

- cancelling the programme and then selecting a different programme

- Press the *Start/Stop* button.

The items will be cooled down, depending on the temperature reached and how long they have been dried for.

If you press the *Start/Stop* button again during the cooling down phase, *Finish* will light up in the display.

- Press the *Door* button.
- Close the door.
- Select another programme and start it.

- cancelling the programme and then removing the laundry

- Proceed as described in "Adding or removing laundry after a programme has started" below.
- Switch the dryer off after closing the door.

Altering Delay start

- See "Delay start".

Adding or removing laundry after a programme has started

- Press the *Door* button.
- Open the door.



Danger of burning:

Do not touch the back of the drum when adding or removing items. The drum and the items can get very hot.

- Add or remove items as required.
- Close the door.
- Press the *Start/Stop* button.


Time remaining

The time left shown in the display may now vary from the actual drying time.

The system lock prevents the dryer being used without your knowledge.

It can be activated if wished.

The dryer's electronics are then locked. The dryer can still be switched on but a programme cannot be started.

- If an attempt is made to start a programme, the indicator light for the *Low temperature* button will come on and a key symbol  will appear in the display.

The door is not locked and can be opened at any time.

To activate the lock

Before you begin, first ensure that:

- The tumble dryer is switched off.
- The door is closed.


➊ Press the *Low temperature* button and keep it pressed in whilst carrying out steps ➋ to ➍.

➋ Press the  button in.

The *Automatic* indicator light will come on.

➌ Slowly turn the programme selector three positions stage by stage in a clockwise direction. Each of the three programme indicator lights must come on one after the other.

➍ Now slowly turn the programme selector six positions stage by stage in an anti-clockwise direction. Each of the six programme indicator lights must come on one after the other.

The indicator light for the *Low temperature* button will flash and a key symbol  will appear in the display.

➎ Release the *Low temperature* button.

The electronics have now been locked.


- Switch the dryer off.

To deactivate the lock

Before you begin, first ensure that:

- The tumble dryer is switched off.
- The door is closed.

■ The procedure is the same as for activating the lock. Carry out steps ➊ to ➍ as described previously.

At step ➍ the indicator light for the *Low temperature* button will stop flashing and the key symbol  will go out.

The electronics are no longer locked.

Cleaning and care

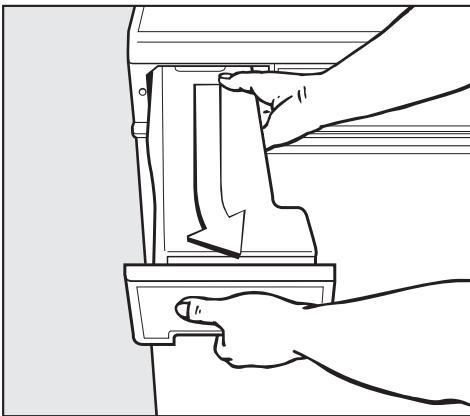
Emptying the condensed water container

The condensed water will be collected in the condensed water container unless the appliance has been fitted with a drain hose (see "Installation").

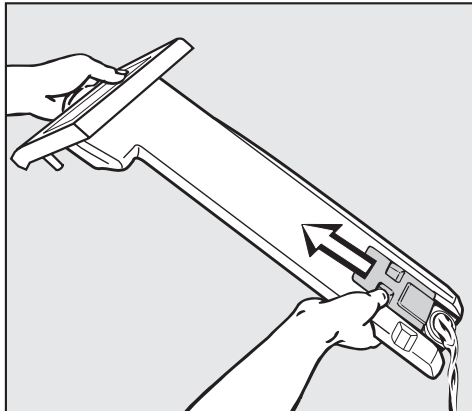
Empty the condensed water container after every drying programme.

The *Empty out container* indicator light will come on if the maximum level of the condensed water container is reached.

The indicator light will go out when the door is opened and closed again.



- Holding the container firmly in both hands, as shown, pull it out slightly towards the right-hand side.
- Hold the container with both hands and carry it in a horizontal position.



- Open the shutter and empty out the water.
- To replace the container, hold it at a slight angle (as when removing it) and push it in gently until you feel it click into position.

⚠ Condensed water should not be consumed. It could lead to health problems for people and animals.

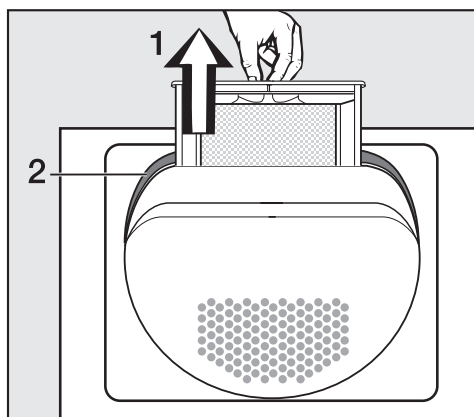
Condensed water can be put to household use (e.g. in a steam iron or humidifier). To ensure that any residual particles of fluff in the condensed water are removed before use, pass it through a fine sieve or paper filter first.

Cleaning the fluff filters

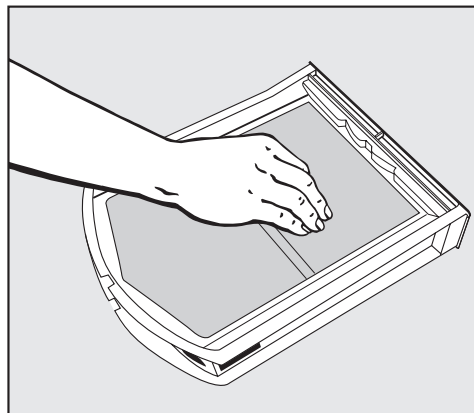
The fluff which is created by the drying process is collected by the fluff filters in the door and the door opening. Clean the filters after **each** drying programme*.

Cleaning them whilst dry

Tip: You can also use a vacuum cleaner to remove the fluff.

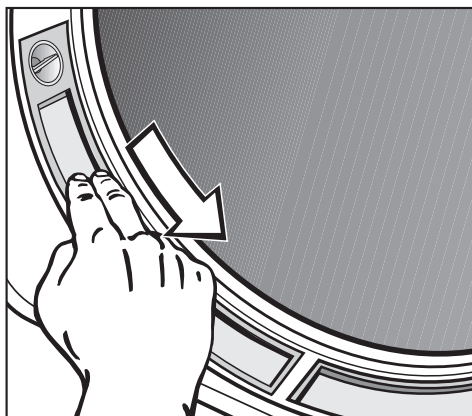


- Open the door and pull the fluff filter (1) out of the door as illustrated.



- Use your fingers to remove the fluff from the surface of the filter.

- Remove any fluff from the hollow part of the door opening. You could also use a cleaning brush which is available as an optional extra from your Miele dealer or the Miele Spare Parts Department, or use a vacuum cleaner.
- Also clean the door seal (2) with a damp cloth.
- Once clean, push the filter back into the door holder until it clicks into position. Ensure it is facing the correct way.



- Use your fingers or a vacuum cleaner to remove the fluff from the two fluff filters in the door opening.
- Close the door.

* Always check the fluff filters if the *Clean out airways* indicator light comes on.

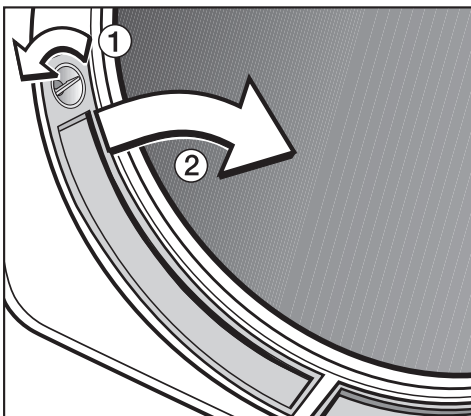
Cleaning and care

Cleaning them with water

If there is a great deal of compacted fluff on any of the filters, they can be removed and cleaned under hot running water.

- Open the door and pull the fluff filter out of the door as described previously.

The two filters in the door opening can also be removed if you need to clean them with water.



- Turn dial ① and pull the filter by the dial out of the door opening as shown ②. Do the same on the other side.
- Rinse all the filters under hot, running water.
- Then shake the filters until no more water droplets are visible.
- Dry the filters thoroughly with care.
- Clean the area underneath these filters, e.g. with a vacuum cleaner.

⚠ Do not replace them if they are damp or wet. Damp or wet filters could cause operational faults.

- Push the large filter back into the door holder until it clicks into position. Ensure it is facing the correct way.
- Replace the filters in the door opening by first inserting them at the bottom and then pressing them into place at the top.
- Lock both dials.

Cleaning the tumble dryer

Disconnect the tumble dryer from the mains electricity supply.

Miele branded cleaning and conditioning products are available to order via the internet on www.miele-shop.com.

- Clean the housing and control panel with a slightly damp cloth and a mild detergent or soapy water.
- The drum and other stainless steel parts can be cleaned with a suitable stainless steel cleaner following the manufacturer's instructions.

Do not use solvents, abrasive cleaners, glass cleaners or all-purpose cleaners. These could damage plastic surfaces and other parts. The tumble dryer must never be hosed down.

- Dry all parts with a soft cloth.

Cleaning and care

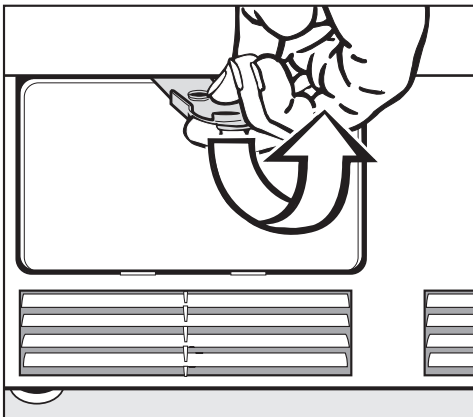
Cleaning the condenser unit

Detergent residue, hair and fine fluff from the dryer can get through the fluff filters and block the condenser unit. Dust from the room in which the dryer is installed can also get into the condenser unit and cause a blockage.

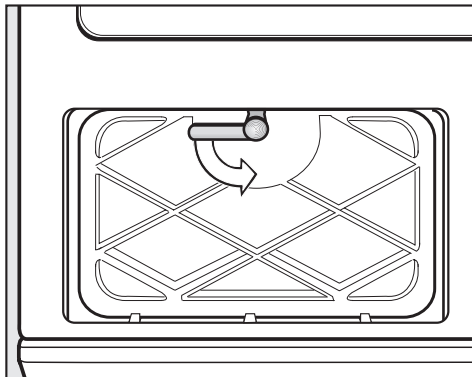
Check the condenser unit at least once a year. Always check it if the *Clean out airways* indicator light comes on. Clean it if necessary.

Removing the condenser unit

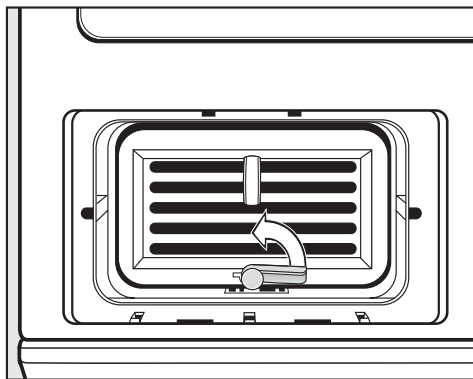
- Open the service panel. Hold the panel securely when doing this.



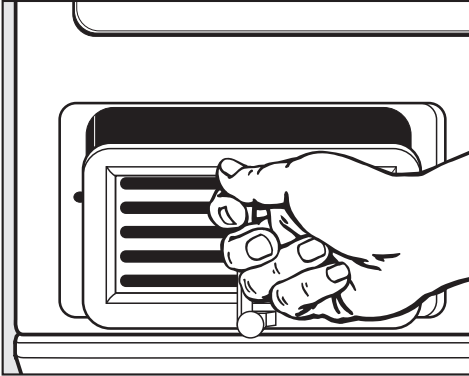
- Now remove the panel by pulling it diagonally upwards and place it to one side.



- Turn the lever on the inner cover downwards to the vertical position.
- Tilt the cover forwards.
- Remove it by pulling it diagonally upwards.

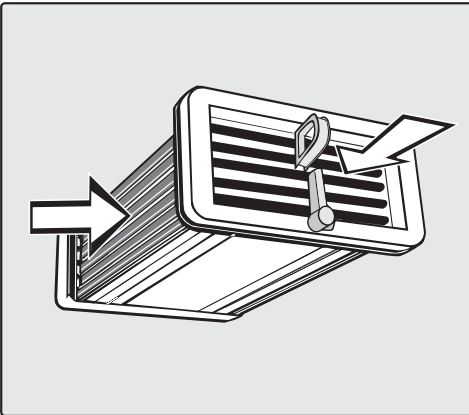


- Turn the lever on the condenser unit upwards to the vertical position so that the hook on the lever is no longer in the groove at the bottom of the condenser unit housing.



- Pull the condenser unit out of its housing by the handle.

Checking the condenser unit



- Hold the condenser unit up to the light **as shown**.
- Check to see if there is any fluff inside it.
The arrows in the illustration above indicate where to look.

If you cannot see any fluff:

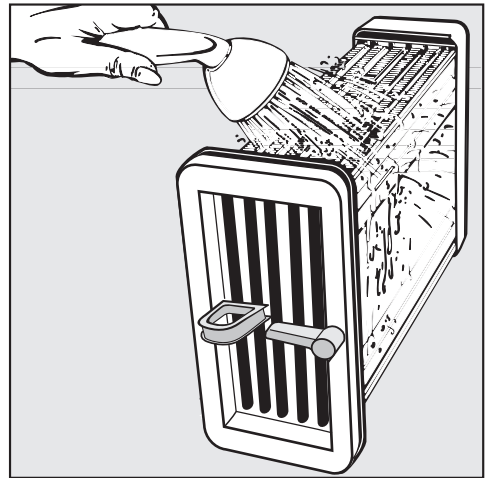
- Replace the condenser unit (see following page).

If you can see some fluff:

- Clean the condenser unit as described below.

Cleaning the condenser unit

- **When rinsing the condenser unit, make sure you position it as shown in the next two illustrations.**



- Use a shower head or similar to rinse the unit out **as shown**.

Cleaning and care



- Then flush the unit through from the front.
- Check the condenser unit again for any visible fluff and if necessary flush it through again until it has all gone.
- Also make sure the rubber seals are clean.
The rubber seals must not be removed and must be free of kinks.

Checking and cleaning the condenser unit housing


- Remove any soiling still visible inside the housing unit by hand using a damp cloth. Do not try and access areas you cannot reach by hand!

Replacing the condenser unit

- **With the handle facing upwards,** push the condenser unit back into position in its housing.
- Turn the lever down to the horizontal position, making sure that the hook on the lever clicks into the groove.


When replacing the inner cover after cleaning, ensure that the rubber seal fits correctly into the groove.

- Replace the inner cover making sure the hooks locate correctly. Hold it at an angle and push it gently downwards.
- Then turn the lever upwards into the horizontal position to lock the cover.
- Replace the service panel and press the upper edge until it clicks into position.




 It is important to ensure that both the condenser unit and the cover are correctly positioned and locked, otherwise water may leak from the dryer.

Problem solving guide

With the help of the following notes, minor faults in the performance of the appliance, some of which may result from incorrect operation, can be put right without contacting the Service Department.

 Repair work to electrical appliances should only be carried out by a suitably qualified person in strict accordance with current local and national safety regulations. Repairs and other work by unqualified persons could be dangerous. The manufacturer cannot be held liable for unauthorised work.

Check and fault messages

Problem	Possible cause	Remedy
<p>The programme stops and  and Finish appear in the display.</p> <p>The buzzer sounds.</p>	<p>This is not a fault.</p> <p>The electronic unit has recognised that there is no laundry in the drum and cancelled the programme.</p> <p>Drying individual garments or items which are already dry can also cause the programme to be cancelled.</p>	<ul style="list-style-type: none"> – Use the <i>Warm air</i> programme (timed drying) to dry individual items. – To select a new programme, switch the dryer off and on, or – Open the door, place more laundry in the drum, then close the door.
<p>The <i>Low temperature</i> indicator light starts flashing after the dryer has been switched on and - appears in the display.</p>	<p>The electronic system lock is activated.</p>	<p>You will need to deactivate the system lock before the dryer can be used (see "Electronic system lock").</p>
<p>The programme stops and <i>Cooling down</i> or <i>Finish</i> flashes in the display.</p> <p>The buzzer sounds.</p>	<p>No obvious cause.</p>	<ul style="list-style-type: none"> – Switch the dryer off and then on again. – Then start the programme again. <p>If the programme stops again and <i>Cooling down</i> or <i>Finish</i> flashes again, there is a fault. Contact the Miele Service Department.</p>

Problem solving guide

Problem	Possible cause	Remedy
<p>The <i>Clean out airways</i> indicator light comes on.</p>	<p>This indicator light comes on to warn you that the dryer is not working efficiently.</p> <p>Possible cause: the fluff filters are clogged with fluff or with detergent residues.</p>	<ul style="list-style-type: none"> – Cleaning the fluff filters is usually all that is required. However, if the <i>Clean out airways</i> indicator light does not go out after you have cleaned the filters, then also check all the possible causes described under "The drying process goes on too long or even switches off". <p>To switch off the indicator light:</p> <ul style="list-style-type: none"> – With the dryer switched on, open and close the door.
		<p>The <i>Clean out airways</i> indicator light can be deactivated (see "Programmable functions").</p>
<p>The programme stops.</p> <p>The <i>Clean out airways</i> indicator light comes on.</p> <p>The buzzer sounds.</p>	<p>See above for possible causes and their remedies.</p>	<p>To switch off the indicator light:</p> <ul style="list-style-type: none"> – With the dryer switched on, open and close the door. – Then start the programme again. – If the <i>Clean out airways</i> indicator light comes on again, contact the Miele Service Dept.
<p>The <i>Empty container</i> indicator light comes on.</p> <p>The buzzer sounds.</p>	<p>The condensed water container is full or there is kink in the drain hose.</p>	<ul style="list-style-type: none"> – Empty out the condensed water container. – Check the drain hose. <p>To switch off the indicator light:</p> <ul style="list-style-type: none"> – With the dryer switched on, open and close the door.

Other problems		
Problem	Possible cause	Remedy
<p>The drying process goes on too long or even switches off.</p> <p>In some circumstances, the <i>Clean out airways</i> indicator light still comes on, even though the filters are clean.</p>	<p>Please check all the possible causes and switch the dryer off and then back on again.</p>	
	<p>Ventilation to and from the dryer may be insufficient (e.g. because it is installed in a small room). This has caused the temperature in the room to rise sharply.</p>	<p>Open a door or window while the tumble dryer is in operation for increased air flow.</p>
	<p>The fluff filters are clogged up with fluff or were still wet when they were replaced.</p>	<ul style="list-style-type: none"> – Remove any fluff. – The fluff filters must be completely dry.
	<p>The laundry has not been spun sufficiently.</p>	<p>Make sure that your laundry is thoroughly spun at the appropriate spin speed.</p>
	<p>The tumble dryer has been overloaded.</p>	<p>Do not exceed the maximum load for the programme selected.</p>
	<p>Metallic components, e.g. zips have prevented the dryer from registering the correct moisture level in the laundry.</p>	<ul style="list-style-type: none"> – Open zips next time. <p>If the problem occurs again, dry garments with long zips using the Warm air programme (timed drying).</p>
	<p>Detergent residues, hair and fine fibres can block up the condenser unit.</p>	<p>Check the condenser unit from time to time and clean it if necessary.</p>
<p>The vents below the door are blocked.</p>	<p>Remove any objects that are blocking the vents.</p>	
<p>The laundry is not sufficiently dry.</p>	<p>The load consisted of different fabrics.</p>	<ul style="list-style-type: none"> – Finish drying using the Warm air programme. – Select a different programme next time.

Problem solving guide

Problem	Possible cause	Remedy
Water leaks from the dryer after the condenser unit has been cleaned.	<ul style="list-style-type: none">- The inner cover of the condenser unit has not been locked properly and/or the condenser unit has not been positioned correctly.- Fluff has collected in the condenser unit housing.	<ul style="list-style-type: none">- Ensure that the condenser unit is positioned correctly and lock the inner cover.- Check the rubber seals.- Use a cloth to remove any visible fluff from the inside of the condenser unit housing.
Items made of synthetic fibres are charged with static electricity after drying.	Synthetic fibres tend to attract static charge.	Static charge can be reduced by adding a fabric conditioner to the final rinse in the washing programme or a fabric conditioner sheet to the load when drying.
There is a build-up of fluff.	Fluff is principally the result of friction when garments are being worn and washed. Machine drying does not affect the lifetime of fabric.	Fluff is collected by the fluff filters and can be easily removed (see "Cleaning and Care").

Problem solving guide

Problem	Possible cause	Remedy
The tumble dryer fails to start when switched on.	No obvious cause.	<ul style="list-style-type: none">– Is the dryer switched on?– Is the plug correctly inserted into the socket and switched on?– Is the door closed properly?– Has the fuse or circuit breaker tripped?
Power cut.	A programme which was running previously will continue automatically when power is restored to the tumble dryer as long as the Cooling down phase had not been reached.	
The interior drum lighting does not come on.	The lighting switches off automatically (to save energy).	Switch the dryer off and then on again.
	The lamp needs changing.	Change the lamp as described at the end of this section.

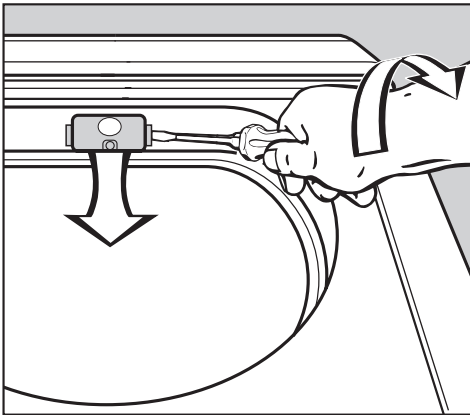
Problem solving guide

Changing the lamp

Disconnect the tumble dryer from the mains electricity supply.

- Open the door.

You will find the interior lamp cover at the top of the drum aperture.



- Insert a suitable tool, such as a wide bladed screwdriver, under the side edge of the lamp cover as illustrated.
- Apply a little pressure and whilst doing so turn your wrist in the direction of the arrow to open the cover.

The cover will open downwards.

The temperature resistant lamp should only be ordered from your Miele Dealer or the Miele Spare Parts Department.

The lamp specification and maximum wattage is stated on the data plate and on the lamp cover.

- Replace the lamp.
- To close the cover push it upwards and press it on the left and right until you hear it click into position.

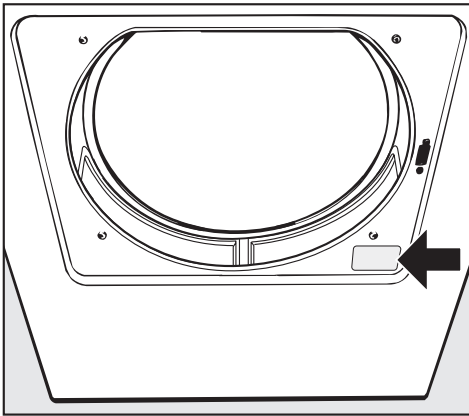
⚠ Ensure that it is fitted into position securely, as any moisture could cause a short circuit.

Repairs

In the event of any faults which you cannot remedy yourself, please contact

- your Miele dealer or
- the Miele Service Department (see back cover for contact details).

When contacting your dealer or the Service Department, please quote the model and serial number of your appliance, both of which are shown on the data plate situated on the right hand side below the drum aperture.



N.B. A call-out charge will be applied for service visits where the problem could have been resolved as described in these instructions.

Future updates (PC)

The indicator or check light marked **PC** on the fascia panel is the interface used by the Miele service technicians during service work for testing purposes and for updating the appliance's programme data.

Appliance guarantee

Please see the guarantee card supplied with your appliance.

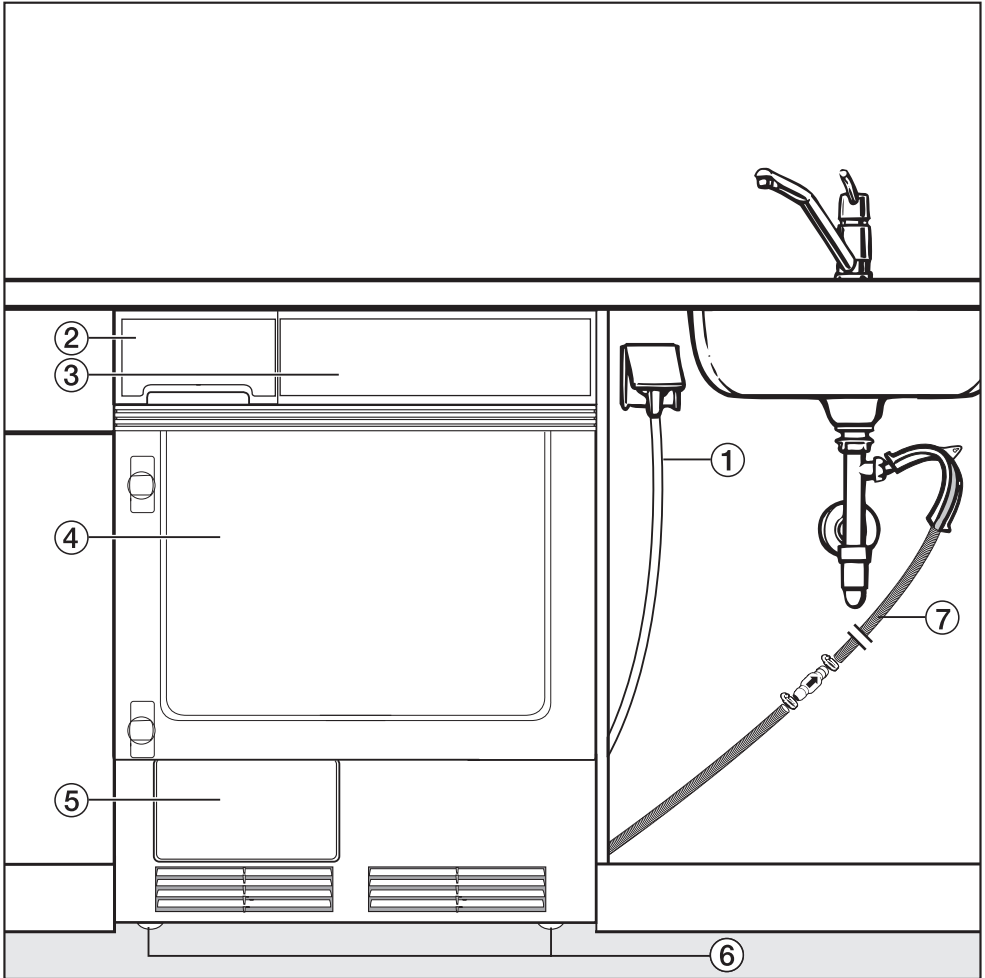
Optional accessories

Optional accessories for this dryer are available from your Miele Dealer, the Miele Spare Parts Department or via the internet at www.miele-shop.com.

Please note that telephone calls may be monitored and recorded for training purposes.


Installation

Front view



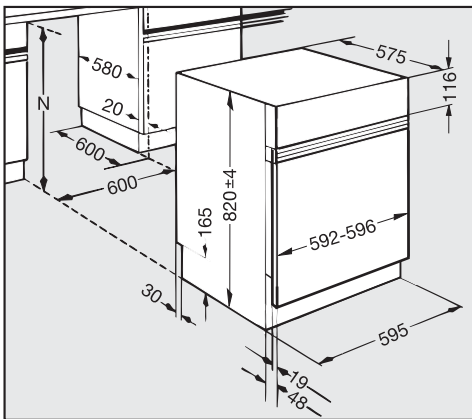
- ① Mains connection cable
- ② Condensed water container
- ③ Control panel
- ④ Door (can be fitted with a decor panel)
- ⑤ Service panel for condenser unit
- ⑥ Four height adjustable screw feet
- ⑦ External drainage options (e.g. via wash basin, wash basin drain outlet or gully)

Installation site

 Make sure the dryer door can be opened without hindrance after installation.

Building under a continuous worktop / in a kitchen run

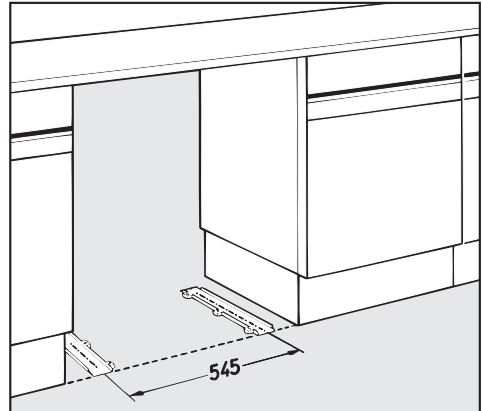
This tumble dryer is specially designed for installation under a continuous worktop run in a fitted kitchen.



N = Niche height (820-930 mm)

It is supplied fitted with a cover plate instead of an appliance lid. The cover plate is necessary to ensure electrical safety and must not be removed.

When moving the dryer do not hold it by the door.



- The slides (available to order) should be used to protect the floor from damage when the dryer is pushed into position or taken out for servicing.
- The electrical socket must be located in an accessible position near the machine.

Please note:

Niche height	Accessory
820 mm	None required
from 830-840 mm	Fit longer screw feet* (set to approx. 40 mm)
from 870-885 mm	Use one raising kit*
from 915-930 mm	Use two raising kits*

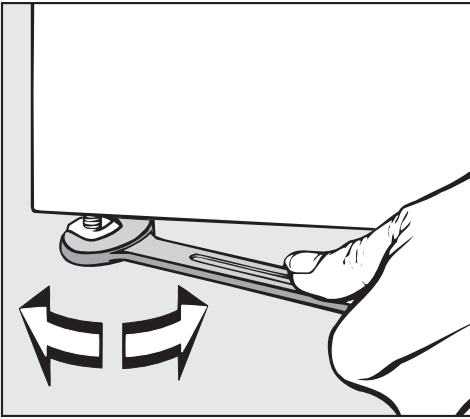
* optional accessory

The dryer must not be used without the front panel in place.

If the kitchen run has a continuous furniture plinth in place, a gap must be made for the tumble dryer.

Installation


Aligning the appliance



- Turn the 4 screw feet to adjust the dryer to the correct height and level.

Longer screw feet are available as an optional accessory. Unscrew and remove the feet supplied with the dryer before fitting the longer screw feet.

The cover plate on the dryer must be aligned horizontally underneath the worktop.


 The ventilation gaps in the plinth must not be covered over as this would prevent a sufficient intake of air.

Room in which the dryer is located

Air taken in for use in the drying process will be warm when it is expelled from underneath the dryer. This expelled air heats up the air in the room. It is therefore very important to ensure that the room is adequately ventilated, particularly if the dryer is located in a small room. Otherwise running times and energy consumption could be increased.

Washer-dryer stack

The tumble dryer can also be combined with a Miele washing machine in a washer-dryer stack. To do this the appropriate stacking kit (WTV) (available to order) is required.

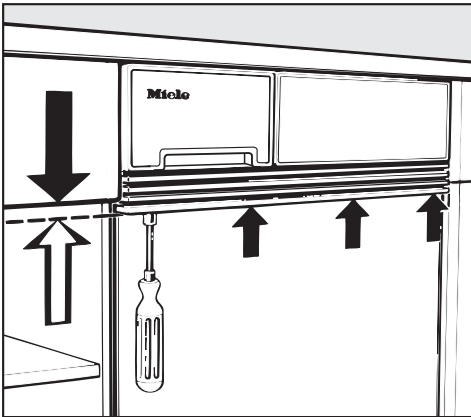
 The stacking kit must be fitted by suitably qualified fitter.

Before moving the tumble dryer again (e.g. when moving house)

After each use a small quantity of condensed water will collect in the area around the pump. This water can run out, if the dryer is tipped up when it is being moved. It is a good idea to run the *Cool air* programme for approximately 1 minute before moving the dryer. Any remaining condensed water will then be fed into the condensed water container or out through the drain hose.

Matching the fascia panel to the height of adjacent drawer fronts

The fascia panel can be aligned with the drawer fronts by adjusting the spacer bars.



- Using a socket spanner, turn clockwise or anti-clockwise until the required height is reached.

If necessary individual bars can be removed or more added.

- To do this, use the socket spanner to loosen the nuts.

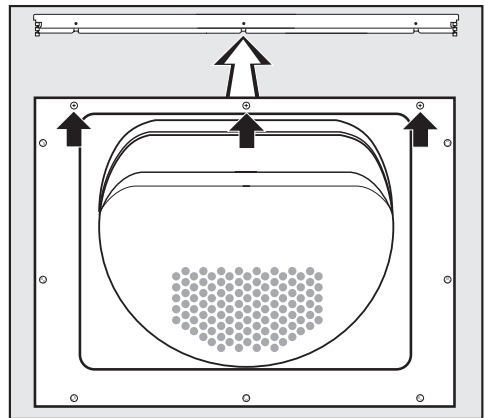
An adapter kit with spacer bars and longer screws can be ordered as an optional accessory. This can be used to add spacer bars from below up to a maximum of 25 mm.

After fitting the bars, cut or pinch off any excess length from the screws.

Removing the spacer bars

All the spacer bars can be removed if the upper edge of the front panel needs to be flush with the upper edge of the appliance front directly underneath the fascia panel. See "Fitting a front panel made by another manufacturer".

- Open the door.



- Unscrew and remove the 3 screws (see arrows).
- Remove all the spacer bars.

The 3 holes which are now free should be used to screw the front panel to the machine front later on.

Installation

Fitting the front panel

The appliance front can be fitted with a door panel to match other kitchen units.

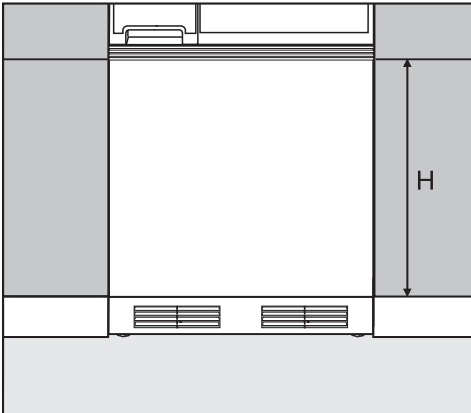
If fitted in a Miele kitchen, the door panel can be ordered pre-drilled with the necessary fixing holes.

If fitted in a non-Miele kitchen, a suitable panel will have to be drilled to suit by a qualified kitchen fitter. See "Fitting a door front panel made by another manufacturer" for details on preparing and drilling the fixing holes.

Front panel dimensions

Width: 592-596 mm

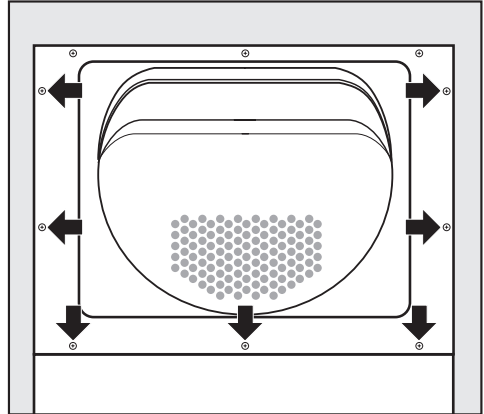
Thickness: 17 to 19 mm (corresponding to the thickness of the adjacent unit door front panels)



Height: The height of the door front panel corresponds to the door height (**H**) of the adjacent units.

Fitting the front panel

- Open the door.
- Hold the front panel in the correct position in front of the appliance



door.

- Screw the front panel to the machine door.

If all the spacer bars have been removed:

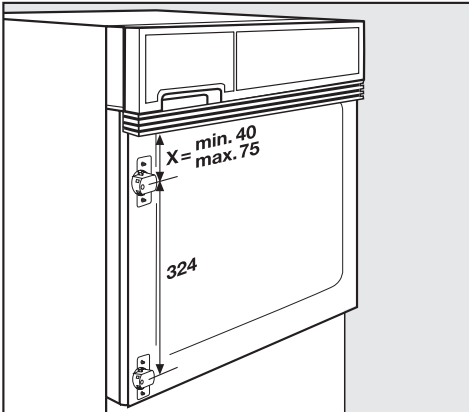
You can also make use of the 3 holes at the top of the door plate to screw the front panel to the door plate.

Fitting a door front panel made by another manufacturer

Preparing the front panel

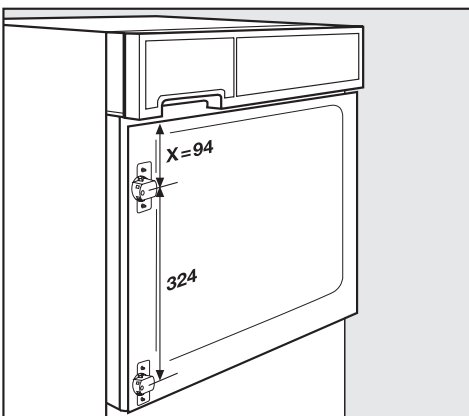
- 1 Measure distance **X** for drilling the hinge holes.

– with spacer bars:



– without spacer bars:

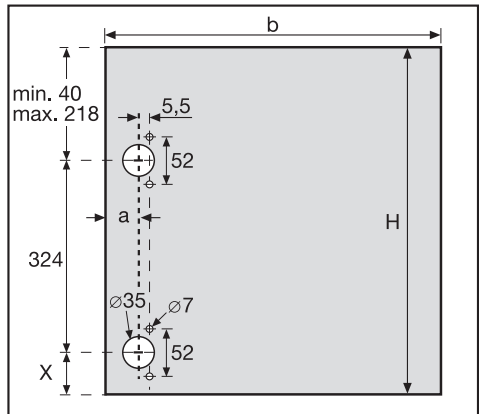
(the front panel must be correspondingly higher)



- 2 Mark the two hinge holes and the four smaller holes as shown in the diagram.

For left hand hinging only:

- front panel shown decor side face down, upper edge at the bottom:



if width (**b**) increases, measurement **a** must also be increased

b = 592 mm → **a** = 21.5 mm

b = 593 mm → **a** = 22.0 mm

b = 594 mm → **a** = 22.5 mm

b = 595 mm → **a** = 23.0 mm

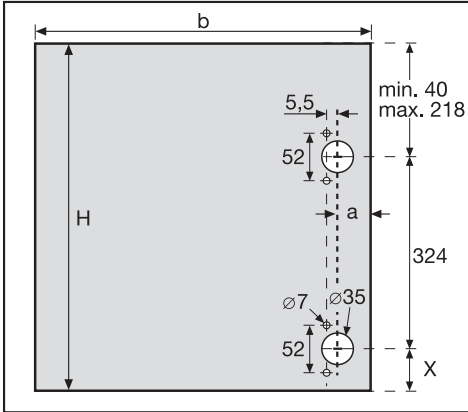
b = 596 mm → **a** = 23.5 mm

H = height of adjacent furniture unit doors.

Installation

For right hand hinging only:

- front panel shown decor side face down, upper edge at the bottom:



if width (**b**) increases, measurement **a** must also be increased

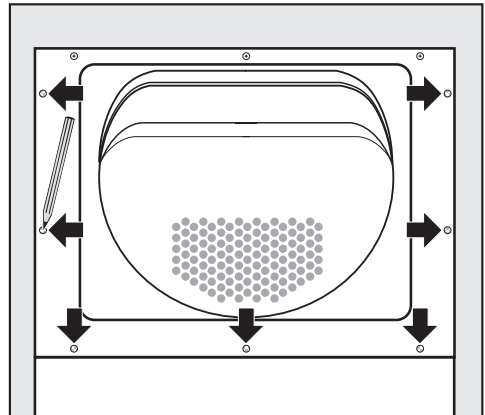
- b** = 592 mm → **a** = 21.5 mm
- b** = 593 mm → **a** = 22.0 mm
- b** = 594 mm → **a** = 22.5 mm
- b** = 595 mm → **a** = 23.0 mm
- b** = 596 mm → **a** = 23.5 mm

H = height of adjacent furniture unit doors.

- 3 Drill the two hinge holes (∅ 35 mm/15.5 mm deep) in the back of the front panel.
- 4 Next, drill the four smaller holes (∅ 7 mm/10 mm deep) in the back of the front panel.
- 5 Shorten the front panel from the bottom to height **H**.

Preparing the fixing points

- 6 Hold the pre-drilled front panel in the correct position in front of the machine door.



- 7 Mark the fixing points on the back of the front panel through the holes in the machine door plate (see arrows in the illustration).
- 8 Remove the front panel.
- 9 Now drill holes (∅ 2.5 mm/10 mm deep) in the back of the front panel.

Fitting a plinth facing

The gap between the lower edge of the tumble dryer plinth and the floor can be closed up using a suitable kitchen furniture plinth facing.

The tumble dryer plinth has a special groove in which a plinth facing can be fitted.

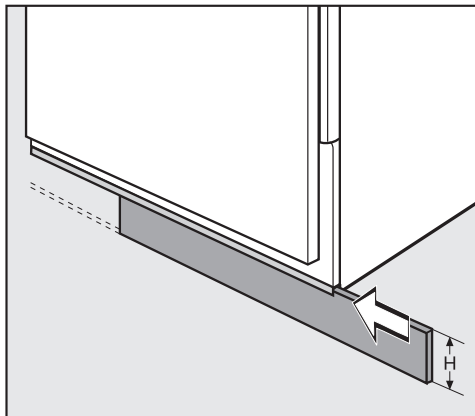
Plinth facing dimensions

Length: 592 - 596 mm

Thickness: 8 mm

Height (H): The plinth facing height must be calculated after aligning the height of the appliance with the screw feet or after fitting the raising kit(s).

Installation



- Calculate height (**H**) from the floor up into the groove (on the underside of the tumble dryer).
- Cut the plinth facing to size.
- Slide it into the groove.

Useful tip:

If the dryer is fitted on a raising kit, you can use double-sided adhesive tape on the back of the plinth facing to secure it to the raising kit.

Installation

External condensed water outlet

General notes

When drying is in progress, condensed water is pumped into the condensed water container through the drain hose at the back of the dryer. The condensed water can also be drained off directly if the dryer is installed near a sink, drain outlet etc. so that the condensed water container does not have to be emptied.

Drain hose length 1.00 m

Extension hose 2.00 m
(accessory)

Maximum delivery head 1.50 m

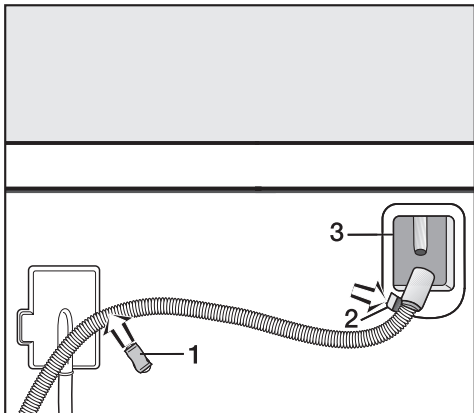
Maximum drain hose length 4.00 m

⚠ If the on-site water drainage system is not fitted with a non-return valve or an appropriate air gap, an air gap or the non-return valve supplied with the dryer must be fitted to prevent the risk of back-flow. (See "Installation conditions requiring a non-return valve").

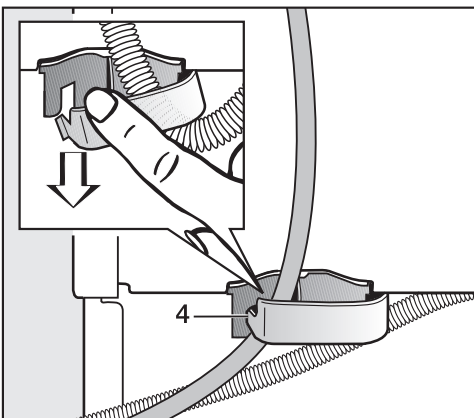
Maximum delivery head
with non-return valve fitted 1.00 m

Arranging the drain hose

⚠ Do not pull on the drain hose and do not stretch it or allow it to become kinked as it could get damaged.




- Unclip the drain hose from clips **(1)** and **(2)**.
- Then pull it off connection **(3)**.



- The lower clip **(4)** can be opened to allow you to take the drain hose out or to feed the mains cable through it.


External drainage via a sink or gully

- See "Front view" illustration.

 If you want to drain the water off into a sink you will need to secure the hose carefully, e.g. by tying it to a tap to make sure it cannot slip during use. Otherwise there is a risk of overflowing water which could cause damage.

- Use the bow-shaped guide to prevent the drain hose from becoming kinked (see "Front view" illustration).

Installation conditions requiring a non-return valve

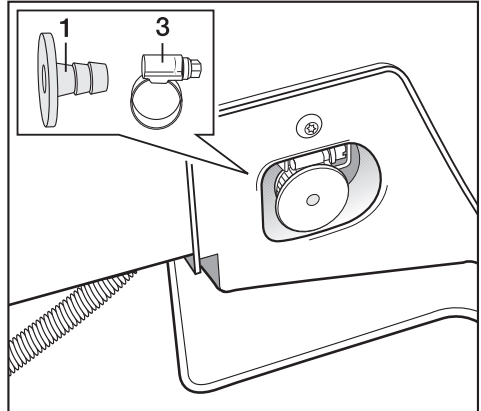
 If the on-site water drainage system is not fitted with a non-return valve or an appropriate air gap, an air gap or the non-return valve supplied with the machine must be fitted to prevent the risk of back-flow. Otherwise water could leak out of the dryer and cause damage.

A non-return valve is required:

- If the tumble dryer is connected to a sink drain outlet (see the following section).
- If the tumble dryer is to be connected to a drainage system **already in use** by another appliance, e.g. a dishwasher or washing machine.

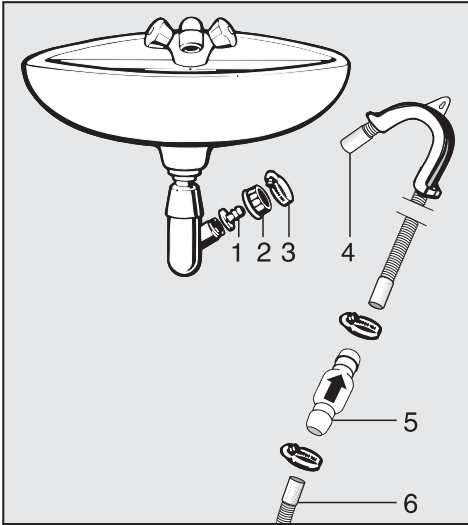
Example: Connection to a sink drain outlet

The drain hose with non-return valve fitted can be connected directly to a suitable sink drain outlet.



- Remove the following from the back of the dryer at the bottom:
Adapter **1** and hose clip **3** behind it.

Installation




- 1 Adapter
- 2 Nut
- 3 Hose clip
- 4 Extension hose (accessory)
- 5 Non-return valve (accessory)
- 6 Tumble dryer drain hose

- Fit adapter **1** to the sink drain outlet using nut **2**.

If this nut has a flat disc in it you should take the disc out first.

- Attach the end of the extension hose **4** to adapter **1**.
- Use a screwdriver to tighten hose clip **3** up close to the nut.

 Non-return valve **5** has to be fitted with the arrow pointing in the direction of flow (i.e. towards the sink). Otherwise water will not drain out of the machine.

- Fit non-return valve **5** to the drain hose on the dryer **6** (make sure it is fitted correctly (see arrow on non-return valve).
- Secure the non-return valve using hose clips.

Electrical connection U.K.

All electrical work should be carried out by a suitably qualified and competent person, in strict accordance with current national and local safety regulations (BS 7671 in the UK).

Ensure power is not supplied to the appliance until after installation work has been carried out.

The appliance is supplied with a mains cable with moulded plug ready for connection to a 230-240V mains supply. Please ensure the connection data quoted on the data plate match the household mains supply.

Connection should be made via a suitable switched socket which is easily accessible after installation.

For extra safety it is advisable to protect the appliance with a suitable residual current device (RCD). Contact a qualified electrician for advice.

Do not connect via an extension lead. Extension leads do not guarantee the required safety of the appliance (e.g. danger of overheating).

Non-rewireable plugs BS 1363

The fuse cover must be refitted when changing the fuse, and if the fuse cover is lost, the plug must not be used until a suitable replacement is obtained. The colour of the correct replacement cover is that of the coloured insert in the base of the plug, or the colour that is embossed in words on the base of the plug (as applicable to the design of plug fitted).

Replacement fuses should be ASTA approved to BS 1362 and have the correct rating. Replacement fuses and fuse covers may be purchased from your local electrical supplier.

**WARNING: THIS APPLIANCE
MUST BE EARTHED**

Consumption data

Programme	Load kg*	Final spin speed in a domestic washing machine	Energy kWh	Duration Minutes
		rpm		
Cottons Normal	6.0	1000 (60 % residual moisture)**	3.35	94
		1200	3.05	86
		1400	2.90	82
		1600	2.55	74
		1800	2.50	73
Cottons Hand iron	6.0	1000 (60 % residual moisture)**	2.65	71
		1200	2.35	63
		1400	2.20	60
		1600	1.90	52
		1800	1.80	51
Minimum iron Normal	3.0	1200 (40 % residual moisture)**	1.15	34
Minimum iron Hand iron	3.0	1200	1.05	31
Delicates Normal	2.0	800	1.20	81
Automatic Normal	3.5	800	2.10	119
Shirts Normal	2.0	600	1.25	43
Denim Normal	3.0	900	2.40	119
Woollens handcare	2.0	1000	0.15	4
Silks handcare	1.0	400	0.15	5
Smoothing	3.0	1000	0.30	8
Outerwear Normal	2.0	800	1.40	72

* Weight of dry laundry

** EN 61121:2005 test programme

All data without a "star" against it was calculated using EN 61121:2005.

Before testing in accordance with EN 61121, dry a 3 kg load of cotton laundry with 70% residual moisture as per the above standard using the Cottons Normal programme without any extra options.

Consumption data can vary from the nominal values given above depending on the size of the load, types of textiles, residual moisture levels after spinning, fluctuations in the electricity supply and any extra options selected.

Technical data

Height	820 mm
Width	595 mm
Depth	575 mm
Suitable for stacking	Yes
Weight	54 kg
Drum volume	100 litres
Maximum capacity	6 kg dry weight
Capacity of condensed water container	approx. 3.5 litres
Drain hose length	950 mm
Maximum delivery head	1.5 m
Maximum drain hose length	4 m
Length of connection cable	2 m
Voltage	see data plate
Connected load	see data plate
Fuse rating	see data plate / plug
Lamp wattage	see data plate
Energy consumption	see "Consumption data"
Test certificates awarded	see data plate

Programmable functions for changing default settings

The programmable functions are used to alter the tumble dryer's electronics to suit changing requirements. Programmable functions can be altered at any time.

Extending the range of the drying levels

You can extend the range of the drying levels for many of the programmes:

Machine iron+

(drier than Machine iron).

Hand iron+

(drier than Hand iron).

Normal+

(drier than Normal).

In addition the *Extra dry* drying level can be made available for the *Delicates* and *Denim* programmes.

You can use this programmable function to extend the range of the drying levels for the following programmes:

Cottons, *Minimum iron**, *Delicates*, *Automatic*, *Denim*.

* Machine iron+ cannot be programmed for this programme.

Follow steps 1 to 5 to programme and store in memory.

Before you begin, first ensure that:

- The tumble dryer is switched off.
- The door is closed.

1 Press the *Start/Stop* button and keep it pressed in whilst carrying out steps 2-3.

2 Press the *I-On/O-Off* button in.

Wait until the indicator light for the *Start/Stop* button lights up constantly . . .

3 . . . and then release the *Start/Stop* button.

- The *Low temperature* indicator light will briefly flash on and off twice.
- *P* and *D* (default setting) will flash alternately in the display.

The number which appears alternately in the display with *P* means:

D Default setting

1 Drying level range extended

(The *Automatic* indicator light will also flash).

- 4 Pressing the *Start/Stop* button switches from one to the other.
- 5 Switch the dryer off with the *I-On/O-Off* button.

The setting you have selected is now stored in memory. You can change it again at any time.

To select the extended drying level

- Select a programme.
- Press the drying level button repeatedly until one or two indicator lights come on.
 - Indicator lights *Extra dry* and *Normal* = Normal+
 - Indicator lights *Hand iron* and *Normal* = Hand iron+
 - Indicator lights *Machine iron* and *Hand iron* = Machine iron+

Programmable functions

Altering the volume of the buzzer

The buzzer has two volumes.

Follow steps ① to ⑥ to programme and store in memory.

Before you begin, first ensure that:

- The tumble dryer is switched off.
- The door is closed.

① Press the *Start/Stop* button and keep it pressed in whilst carrying out steps ②-③.

② Press the *I-On/O-Off* button in.

Wait until the indicator light for the *Start/Stop* button lights up constantly . . .

③ . . . and then release the *Start/Stop* button.

④ Press the *Low temperature* button once.

– The *Low temperature* indicator light will briefly flash on and off four times.

– *P* and *0* (default setting) will flash alternately in the display.

The number which appears alternately in the display with *P* means:

0 **Normal buzzer**
(Default setting)

1 **Loud buzzer**
(The *Automatic* indicator light will also flash).

⑤ Pressing the *Start/Stop* button switches from one to the other. You will hear the two buzzer volumes as you do so.

⑥ Switch the dryer off with the *I-On/O-Off* button.

The setting you have selected is now stored in memory. You can change it again at any time.

Memory function

The electronics will memorise any extra options selected for a programme.

The duration selected for a timed drying programme will also be stored in memory.

These settings will be selected automatically the next time the programme is chosen. You can either accept these or change them by pressing the appropriate button.

Follow steps ① to ⑥ to programme and store in memory.

Before you begin, first ensure that:

- The tumble dryer is switched off.
- The door is closed.

① Press the *Start/Stop* button and keep it pressed in whilst carrying out steps ②-③.

② Press the *I-On/O-Off* button in.

Wait until the indicator light for the *Start/Stop* button lights up constantly . . .

③ . . . and then release the *Start/Stop* button.

④ Press the *Low temperature* button twice.

- The *Low temperature* indicator light will briefly flash on and off six times.
- *P* and *0* (default setting) will flash alternately in the display.

The number which appears alternately in the display with *P* means:

0 Memory deactivated
(Default setting).

1 Memory activated
(The *Automatic* indicator light will also flash).

⑤ Pressing the *Start/Stop* button switches from one to the other.

⑥ Switch the dryer off with the *I-On/O-Off* button.

The setting you have selected is now stored in memory. You can change it again at any time.

Programmable functions

Extending the cooling down time

The cooling down phase which takes place before the end of a programme can be lengthened if required. This makes the garments easier to handle.

The cooling down time

- can be extended by 5 minutes or 10 minutes.
- is not available for timed drying, smoothing or handcare programmes.

Follow steps ❶ to ❸ to programme and store in memory.

Before you begin, first ensure that:

- The tumble dryer is switched off.
- The door is closed.

❶ Press the *Start/Stop* button and keep it pressed in whilst carrying out steps ❷-❸.

❷ Press the *I-On/O-Off* button in.

Wait until the indicator light for the *Start/Stop* button lights up constantly . . .

❸ . . . and then release the *Start/Stop* button.

❹ Press the *Low temperature* button three times.

– The *Low temperature* indicator light will briefly flash on and off seven times.

– *P* and *U* (default setting) will flash alternately in the display.

The number which appears alternately in the display with *P* means:

U Default setting

1 **The cooling down time will be five minutes longer.**

(The *Automatic* indicator light will also flash once).

2 **The cooling down time will be ten minutes longer.**

(The *Automatic* indicator light will also flash twice).

❺ Pressing the *Start/Stop* button switches from one to the other.

❻ Switch the dryer off with the *I-On/O-Off* button.

The setting you have selected is now stored in memory. You can change it again at any time.

Clean out airways indicator

Fluff should be removed after drying. The *Clean out airways* indicator will remind you to clean the filters when a certain amount of fluff has collected in the filters. You can decide at what level of fluff this reminder should be given.

You will have an idea of which of the four options to select after a few drying programmes.

Follow steps ① to ⑥ to programme and store in memory.

Before you begin, first ensure that:

- The tumble dryer is switched off.
- The door is closed.

① Press the *Start/Stop* button and keep it pressed in whilst carrying out steps ②-③.

② Press the *I-On/O-Off* button in. Wait until the indicator light for the *Start/Stop* button lights up constantly . . .

③ . . . and then release the *Start/Stop* button.

④ Press the *Low temperature* button four times.

- The *Low temperature* indicator light will flash on and off slowly once.
- *P* and *2* (default setting) will flash alternately in the display.

The number which appears alternately in the display with *P* means:

0 **The *Clean out airways* indicator light is deactivated**

1 **The *Clean out airways* indicator light will come on when there is a heavy build-up of fluff**
(The *Automatic* indicator light will also flash once).

2 **Default setting**
(the *Automatic* indicator light will also flash twice).

3 **The *Clean out airways* indicator light will come on when there is only a light build-up of fluff**
(The *Automatic* indicator light will also flash three times).

⑤ Pressing the *Start/Stop* button switches from one to the other.

⑥ Switch the dryer off with the *I-On/O-Off* button.

The setting you have selected is now stored in memory. You can change it again at any time.

Programmable functions

Keypad tone

An audible tone sounds each time a button is pressed.

Follow steps ① to ⑥ to programme and store in memory.

Before you begin, first ensure that:

- The tumble dryer is switched off.
- The door is closed.

① Press the *Start/Stop* button and keep it pressed in whilst carrying out steps ②-③.

② Press the *I-On/O-Off* button in.

Wait until the indicator light for the *Start/Stop* button lights up constantly . . .

③ . . . and then release the *Start/Stop* button.

④ Press the *Low temperature* button five times.

– The *Low temperature* indicator light will flash on and off slowly once and will then flash on and off quickly once.

– *P* and *U* (default setting) will flash alternately in the display.

The number which appears alternately in the display with *P* means:

***U* Keypad tone deactivated**
(Default setting)


***I* Keypad tone activated**
(The *Automatic* indicator light will also flash)

⑤ Pressing the *Start/Stop* button switches from one to the other.

⑥ Switch the dryer off with the *I-On/O-Off* button.

The setting you have selected is now stored in memory. You can change it again at any time.

Adjusting the dryer's electronics for very soft water

 Extremely soft water can affect the sensitivity of the control electronics. If the dryer is installed in an area with very soft water, you should contact your local water supplier for information and advice regarding water hardness and water conductivity. If the water conductivity is less than 150 μS , the following programmable function will need to be activated.

Important. This programmable function should not be activated if, despite the water being extremely soft (as would be the case if a water softener were used), its conductivity is greater than 150 μS .

Follow steps ① to ⑥ to programme and store in memory.

Before you begin, first ensure that:

- The tumble dryer is switched off.
- The door is closed.

① Press the *Start/Stop* button and keep it pressed in whilst carrying out steps ②-③.

② Press the *I-On/O-Off* button in.

Wait until the indicator light for the *Start/Stop* button lights up constantly . . .

③ . . . and then release the *Start/Stop* button.

④ Press the *Low temperature* button six times.

– The *Low temperature* indicator light will flash on and off slowly once and will then flash on and off quickly twice.

– *P* and *U* (default setting) will flash alternately in the display.

The number which appears alternately in the display with *P* means:

U **Default setting**

I **Adjusted for very soft water**

(with low conductivity)

(The *Automatic* indicator light will also flash)

⑤ Pressing the *Start/Stop* button switches from one to the other.

⑥ Switch the dryer off with the *I-On/O-Off* button.

The setting you have selected is now stored in memory. You can change it again at any time.

Miele

United Kingdom

Miele Co. Ltd.
Fairacres, Marcham Road
Abingdon, Oxon, OX14 1TW
Tel: 0845 365 0555
Fax: 0845 365 0777
Customer Contact Centre Tel: 0845 365 6600
E-mail: info@miele.co.uk
Internet: www.miele.co.uk

Australia

Miele Australia Pty. Ltd.
ABN 96 005 635 398
1 Gilbert Park Drive, Knoxfield, VIC 3180
Tel: (03) 9764 7130, Fax: (03) 9764 7149
Internet: www.miele.com.au

China

Miele Shanghai
Suite 4105-06, Plaza 66
1266 Nanjing Road West
Jing An District
Shanghai 200040, PRC
Tel: +86 21 6288 4200, Fax: +86 21 6288 4100
E-mail: mieleshanghai@cn.miele.com
Internet: www.miele.cn

Hong Kong

Miele (Hong Kong) Limited
AIA Plaza, 24th Floor
18 Hysan Avenue
Causeway Bay
Tel: +852- 2610-1331, Fax: +852-2610-1013
E-mail: mielehk@miele.com.hk
Internet: www.miele.hk

India

Miele Appliances India Pvt. Ltd.
Ground Floor, Copia Corporate Suites
Plot No. 9, Jasola
New Delhi – 110025
Tel: 011-46 900 000, Fax: 011-46 900 001
E-mail: customercare@miele.in
Internet: www.miele.in

Ireland

Miele Ireland Ltd.
Broomhill Road, Tallaght, Dublin 24
Tel: (01) 461 0710, Fax: (01) 461 07 97
E-Mail: info@miele.ie
Internet: www.miele.ie

New Zealand

Miele New Zealand Limited
Unit L, 10-20 Sylvia Park Road
Mt. Wellington, 1060, Auckland, NZ
Tel: 0800 264 353, Fax: 0800 463 453
Internet: www.miele.co.nz

Singapore

Miele Southeast Asia
Miele Pte. Ltd.
163 Penang Road
04 - 02/03 Winsland House II
Singapore 238463
Tel: +65 6735 1191, Fax: +65 6735 1161
E-Mail: infosea@miele.com.sg
Internet: www.miele.sg

South Africa

Miele (Pty) Ltd
63 Peter Place, Bryanston 2194
P.O. Box 69434, Bryanston 2021
Tel: +27 (0) 11 548-1900
Fax: +27 (0) 11 548-1935
E-mail: info@miele.co.za
Internet: www.miele.co.za

United Arab Emirates

Miele Appliances Ltd.
P.O. Box 11 47 82
Gold & Diamond Park
Sheikh Zayed Road
Building 6 / Offices Nos. 6-214 to 6-220
Dubai
Tel: +971-4-341 84 44
Fax: +971-4-341 88 52
E-Mail: info@miele.ae
Internet: www.miele.ae

Free Manuals Download Website

<http://myh66.com>

<http://usermanuals.us>

<http://www.somanuals.com>

<http://www.4manuals.cc>

<http://www.manual-lib.com>

<http://www.404manual.com>

<http://www.luxmanual.com>

<http://aubethermostatmanual.com>

Golf course search by state

<http://golfingnear.com>

Email search by domain

<http://emailbydomain.com>

Auto manuals search

<http://auto.somanuals.com>

TV manuals search

<http://tv.somanuals.com>