

Operating instructions for condenser tumble dryer T 277 C

To avoid the risk of accidents or damage to the machine it is **essential** to read these operating instructions before it is installed or used for the first time.



M.-Nr. 05 993 060

Contents

Warning and Safety instructions	4
Caring for the environment	7
Disposal of the packing material	7
Disposal of your old appliance	7
Energy saving tips	7
Guide to the appliance	8
Control panel / Features.	8
Notes on laundry care	10
Programme chart	11
How to dry correctly	14
❶ Prepare the laundry.	14
❷ Load the drum and switch on the dryer	14
❸ Selecting a programme.	15
❹ Selecting additional options	15
Anti-crease	15
Short	16
Low temperature.	16
Buzzer.	16
❺ Delay start	16
❻ Starting a programme	17
❼ After drying	17
Additional notes	17
Brief instructions	18
Altering a programme	19
To interrupt a programme	19
To cancel a programme and select a different programme	19
To open the door during a programme to add or remove garments	19
Electronic system lock	20
Cleaning and care	21
Emptying the condensed water container.	21
Cleaning the fluff filters	22
Cleaning the tumble dryer	23
Cleaning the condenser unit	24
Removing the condenser unit.	24
Checking the condenser unit	25
Cleaning the condenser unit.	25
Replacing the condenser unit.	26

Problem solving guide	27
General problems	27
Check and fault indicator lamps	30
To change the interior drum lamp	33
After sales service	34
Repairs	34
Future updates (PC)	34
Appliance guarantee	34
Optional accessories	34
Installation	35
Front view	35
Installation site	36
Room in which the dryer is located	36
Transporting the machine to its installation site	36
Aligning the machine	36
Before moving the machine again (e.g. when moving house)	36
External condensed water outlet	37
Pulling out the drain hose	37
Connection to a wash basin drain outlet	38
If you no longer wish to use an external condensed water outlet:	38
Electrical connection	39
Electrical connection U.K.	39
Consumption data	41
Technical data	42
Programmable functions	44
Increased drying level	44
Memory	45

Warning and Safety instructions

To avoid the risk of accidents and damage to the machine please read these instructions carefully before using it for the first time. They contain important information on its safety, use and maintainence. Keep these operating instructions in a safe place and ensure that new users are familiar with the content. Pass them on to any future owner of the machine.

Correct use

The tumble dryer is only intended for drying fabrics which have been washed in a water solution, marked on the manufacturer's wash care label as being suitable for tumble drying. "Dry Cleaning Kits" for freshening up garments in a tumble dryer are increasingly available on the market. If using, do so at your own risk and follow the instructions provided on the packaging. Any other applications may be dangerous. The manufacturer is not liable for damage resulting from improper use or operation.

This machine is not a toy! To avoid the risk of injury, do not allow children to play on or near it, or to play with the controls. Supervise its use by the elderly or infirm.

Technical safety

Before setting up the machine check it for any externally visible damage. Do not install or use a damaged machine.

Before connecting the machine, ensure that the connection data on the data plate (fusing, voltage and frequency) matches the mains electricity supply. If in any doubt, consult a qualified electrician.

The electrical safety of this machine can only be guaranteed when continuity is complete between the machine and an effective earthing system which complies with local and national regulations. It is most important that this basic safety requirement is regularly tested, and where there is any doubt the household wiring system should be inspected by a qualified electrician. The manufacturer cannot be held liable for the consequences of an inadequate earthing system (e.g. electric shock).

Do not connect the machine to the mains electricity supply by an extension lead. Extension leads do not guarantee the required safety of the machine (e.g. danger or overheating).

The machine is built in accordance with current safety requirements. Unauthorised repairs could result in unforeseen dangers for the user, for which the manufacturer cannot accept liability. Repairs should only be undertaken by a Miele approved technician.

Ensure current is not supplied to the machine while maintenance or repair work is being carried out.

Faulty components must only be exchanged for Miele original spare parts. Only when these parts are fitted can the safety standards of the machine be guaranteed.

Warning and Safety instructions

■ If the connection cable is faulty it must only be replaced by a Miele approved service technician to protect the user from danger.

■ In the event of a fault or for cleaning purposes, the machine is only completely isolated from the electricity supply when:

- it is switched off at the wall socket and the plug is withdrawn, or
- it is switched off at the mains, or
- the mains fuse is withdrawn.

Operation

■ This equipment is not designed for maritime use or for use in mobile installations such as caravans, aircraft etc. However it may be suitable for such usage subject to a risk assessment of the installation being carried out by a suitably qualified engineer.

■ The dryer must not be used without the fluff filters in place or if the fluff filters are damaged in any way.

■ The fluff filters must be thoroughly dried after cleaning. If they are still damp or wet when replaced there is a risk of faults occurring when the machine is used.

■ The dryer must not be used without the condenser unit in place.

■ Do not install the machine in a room where the temperature may drop down to or below freezing. At very cold temperatures the machine may be difficult to start.

There is a risk of damage if the

condensed water is allowed to freeze in the pump, hoses and / or condensed water container.

■ If the water is drained externally through the drain hose instead of being collected in the condensed water container, make sure the drain hose is securely attached if you hang it in a sink or basin to avoid the hose slipping and the water causing damage.

■ Condensed water is not drinking water. It can cause health problems in both people and animals.

■ Always keep the area around the machine free of dust and fluff. Dust drawn into the machine can, over time, cause blockages in the condenser unit.

Warning and Safety instructions

■ Always close the door after use.
■ This way you will avoid the danger of:

- children climbing onto or into the dryer or hiding things in it.
- pets or other small animals climbing into it.

■ Do not let anyone sit or lean on the door, as this can cause the machine to tip up.

■ There is danger of fire with fabrics which:

- contain a large proportion of rubber, foam rubber or rubber like materials.
- have been treated with inflammable cleaning agents.
- have been splashed with hair lacquer, hair spray, nail varnish remover or similar substances.
- which contain padding or fillings (e.g. pillows, jackets). If these were damaged the filling could leak out with the risk of igniting in the dryer.
- are soiled with oil or grease.

In countries where there are areas which may be subject to infestation by cockroaches or other vermin, pay particular attention to keeping the machine and its surroundings in a clean condition at all times. Any damage which may be caused by cockroaches or other vermin will not be covered by the machine guarantee.

Using accessories

■ Accessory parts may only be fitted when expressly approved by Miele. If other parts are used, guarantee, performance and product liability claims may be invalidated.

■ The manufacturer cannot be held liable for damage caused by non-compliance with these Warning and Safety instructions.

Disposal of the packing material

The transport and protective packing has been selected from materials which are environmentally friendly for disposal and can normally be recycled.


Ensure that any plastic wrappings, bags etc. are disposed of safely and kept out of the reach of babies and young children. Danger of suffocation!

Rather than just throwing these materials away, please ensure they are offered for recycling.

Disposal of your old machine

Old machines contain materials which can be reclaimed or recycled. Please contact your dealer, your local waste collection centre or scrap merchant about potential recycling schemes.

Ensure that the machine presents no danger to children while being stored for disposal.

 Before throwing an old machine away unplug it and render the plug useless. Cut off the cable directly behind the machine to prevent misuse. This should be done by a competent person.

Energy saving tips

- Make sure that your laundry is thoroughly spun before drying.

The higher the spin, the greater the savings that can be made in energy and time during drying.

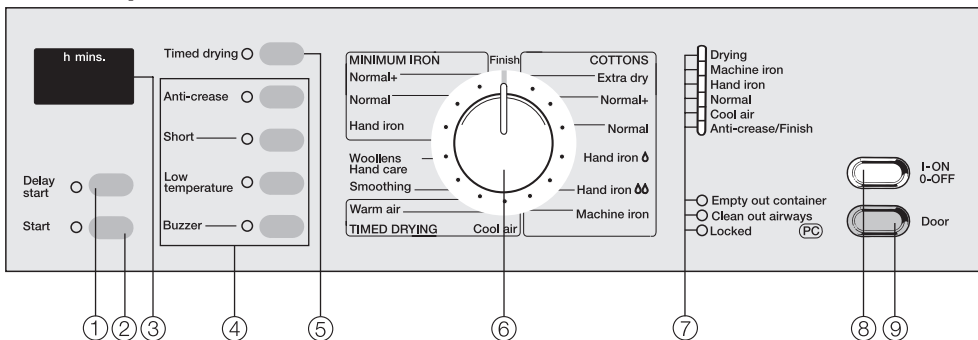
- Load according to the optimum amount of laundry recommended for the programme being used (see Programme chart).

Underloading is uneconomical. Overloading gives a poorer quality of drying and may cause unnecessary creasing.

- To save energy and time:
 - Make sure the room in which the dryer is located is well ventilated.
 - Make sure the fluff filters are clean before using the dryer.

Guide to the appliance

Control panel / Features



① **Delay Start** button

The start of a programme can be delayed by up to 24 hours.

② **Start** button

Press the *Start* button to start a programme. The indicator lamp will flash to indicate that a programme can be started. It lights up constantly once the programme has started.

③ **Display**

The display fulfills several functions. See next page for details.

④ **Additional option** buttons

Indicator lamps:
on = option selected
off = option not selected
See "How to dry correctly - selecting additional options" for details on these options.

⑤ **Timed drying** button

To select the time required for timed drying with hot or cold air (max. 2 hours).

⑥ **Programme selector**

The programme selector can be turned clockwise or anti-clockwise. The light ring around the programme selector comes on during a programme and goes out a few minutes after it has ended to save energy. It will go out a few minutes after switching on the dryer if a programme has not been selected or if the programme selected is not started.

⑦ **Programme sequence indicator lamps:**

show the drying stage reached;
Check lamps: see "Problem solving guide" for details.

⑧ **I-On/0-Off** button

For switching the machine on and off or to interrupt a programme.

⑨ **Door** button

To open the door / cancel a programme. Pressing this button will open the door even when the machine is switched off at the mains. To save energy, the interior drum lighting will go out after a while if the dryer is switched on and the door is left open.

Display

The display shows a variety of functions:

- it displays how long a programme has to run in hours and minutes;
- with "Delay start" it displays the time remaining until the programme starts;
- it displays programmable functions being selected and de-selected.

Time left display for Cottons and Minimum Iron programmes

Once a sensor programme has started the time left for a programme to run will be calculated by the machine. During this calculation period the following bars will flash in the display:

=== ... -== ... == After approx. 1 minute the programme duration will appear in the display and proceed to count down in minutes.

The programme duration can vary each time a programme is run because it is affected by a variety of factors e.g:

- the moisture content after spinning
- the type of textiles
- the quantity of laundry in the drum
- the ambient room temperature
- fluctuations in the electricity supply

The electronic unit adapts to each individual load of laundry. The time remaining for a programme to run shown in the display is calculated constantly during a programme. This means that the time displayed may fluctuate during the programme. If the time remaining in the display has

flashing bars in front of it, this indicates that the programme is about to enter the cooling down phase and is not indicative of a fault.

The time remaining displayed should not be taken as an accurate time measurement. It is an estimate of when your laundry should reach the level dryness you have selected.

Future updates

The indicator lamp marked "PC" is explained in "After Sales Service".

Electronic lock and programmable functions

Electronic lock

Prevents the machine being operated by others.

Programmable functions

Programmable functions enable the machine to be adapted to suit personal requirements.

See the relevant section for detailed instructions.

Notes on laundry care

Wash care labels

Before drying check the drying symbol on the wash care label.

Significance of symbols:

- Dry at normal temperature
- Dry at low temperature
- Do not tumble dry

If no symbol is featured, dry at your own risk applying the following principles:

Cotton and minimum iron items should be dried using the appropriate programme for the degree of drying required. See programme chart.

For delicates and fabrics with the following wash care label dry using the *Low temperature* option.

Never overload the drum. Do not exceed the maximum recommended loads given in the "Programme chart". Overloading can cause unnecessary wear and tear to the laundry, give a disappointing drying result and cause more creasing.

Do not put soaking wet items into the tumble dryer. Spin them thoroughly after washing using the appropriate spin speed.

Tips on drying

Woollens and wool blends tend to become matted and shrink if dried in a tumble dryer. They can, however, be partially dried using the *Woollens hand care* programme.

Items filled with down.

The fabric lining on these garments may shrink depending on the quality. They can be partially dried using the *Smoothing* programme.

Pure linen should only be machine dried if specified as suitable by the manufacturer on the wash care label, as the surface of the fabric may otherwise "roughen". These items can be partially dried using the *Smoothing* programme.

Woven and loopknit materials (e.g. T-shirts, knitted garments) have a tendency to shrink, depending on their quality and this is made worse by over-drying. When purchasing these garments it is advisable to take their shrinkage properties into account.

Minimum iron fabrics and 100% cotton shirts or blouses tend to crease more, the larger the load being dried, particularly when the weave of the fabric is very fine. Reduce the load or use the MINIMUM IRON - *Hand iron* programme with a max. load of 1 kg. If this is unsatisfactory use the Special care "Smoothing" setting, then hang the garments on a hanger to dry.

Starched laundry can be dried in the tumble dryer. In order to achieve the usual finish, double the amount of starch should be used.

New dark coloured garments should be dried separately from light coloured garments to avoid the danger of colours running.

Programme chart

Programmes	Fabric type	Special notes
Drying levels		
COTTONS		maximum load: 5 kg ⁽¹⁾
Extra dry	Multi-layered fabrics, which would not be thoroughly dried using the "Normal +" programme.	Do not dry jersey wear in the Extra dry programme - tendency to shrink.
Normal +	Single and multi-layered fabrics, e.g. mixed load of cotton fabrics (e.g. towelling, jerseywear).	-
Normal ⁽²⁾	Load of similar fabrics (jersey wear, flannelette sheets, towelling).	If laundry is still too damp, then: - finish drying using Timed drying "Warm air". - Use the "Normal +" programme next time.
Hand iron Δ	Cotton or linen fabrics (e.g. table linen, bedlinen, starched laundry etc).	-
Hand iron ΔΔ ⁽²⁾		If laundry is still too damp for hand ironing, then select "Hand iron Δ" in the future.
Machine iron	Cotton or linen fabrics, including starched laundry, for machine ironing.	The laundry should be rolled up to prevent it from drying out before it can be ironed.

⁽¹⁾ Weight of dry laundry

⁽²⁾ Note for test institutes: These programmes are to be used when testing according to EN 61121 standard

Programme chart

Programme	Fabric type	Special notes
Drying levels		
MINIMUM IRON		maximum load: 2.5 kg ⁽¹⁾
Normal +	Minimum iron items which are made of synthetic or blended fabrics (e.g. pullovers, dresses, trousers) which are not dried adequately in the "Normal" programme.	Spin minimum iron fabrics for at least 30 seconds in the washing machine before drying.
Normal ⁽²⁾	Minimum iron shirts, table cloths etc. made of blended fabrics (e.g. cotton/synthetics).	Spin minimum iron fabrics for at least 30 seconds in the washing machine before drying.
Hand iron	Minimum iron shirts, table cloths etc. made of blended fabrics (e.g. cottons and synthetics), which are still to be hand ironed.	Spin minimum iron fabrics for at least 30 seconds in the washing machine before drying. For extra special care of delicate fabrics and to reduce creasing even more, reduce the load to 1 kg. See also "Special care programmes")
TIMED DRYING		maximum load: 5 kg ⁽¹⁾
Warm air	Individual items (e.g. bathing costumes, bath towels, tea-towels). Multi-layered fabric whose layers have different drying characteristics.	-
Cool air	Items which are to be aired only.	-


⁽¹⁾ Weight of dry laundry

⁽²⁾ Note for test institutes: These programmes are to be used when testing according to EN 61121 standard.

Programme chart

Programme	Fabric type	Special notes
Special care programmes		
Woollens hand care		maximum load: 2 kg ⁽¹⁾
	Woollen fabrics	To refresh and fluff up woollen garments quickly. Remove garments immediately at the end of the programme. Do not repeat. Woollen fabrics are not dried completely by this programme.
Smoothing		maximum load: 2.5 kg ⁽¹⁾
	Cottons and linen fabrics. Minimum iron items made of cotton, blended fabrics or synthetics, e.g. cotton trousers, shirts.	Smooths out creasing caused during the spin cycle in the washing machine. Fabrics are not completely dried in this programme. Remove garments immediately at the end of the programme and place on a line or hangers to dry.

⁽¹⁾ Weight of dry laundry

Selecting additional options	
Programme	Additional option button(s)
COTTONS	Anti-crease, Short, Low temperature, Buzzer
MINIMUM IRON	Anti-crease, Short, Low temperature, Buzzer
TIMED DRYING - Warm air	Anti-crease, Low temperature, Buzzer
- Cool air	Buzzer
Woollens hand care	Buzzer
Smoothing	Buzzer
For delicates and fabrics with the following wash care label  select the <i>Low temperature</i> option.	

How to dry correctly

1 Prepare the laundry

- As far as possible, sort laundry for:
 - the type of fibre or weave,
 - the degree of dryness required,
 - similar size of items,
 - the moisture content after spinning.

This will help towards achieving an even drying result.

Fasten duvet covers etc. to prevent small items from being rolled up inside them.

Do up zips, hooks and eyes etc.

Tie fabric belts, apron strings.

Sew in or remove underwiring from bras.

Make sure there is no detergent dispenser ball etc. in with the laundry, as this could melt and damage the machine and the laundry.

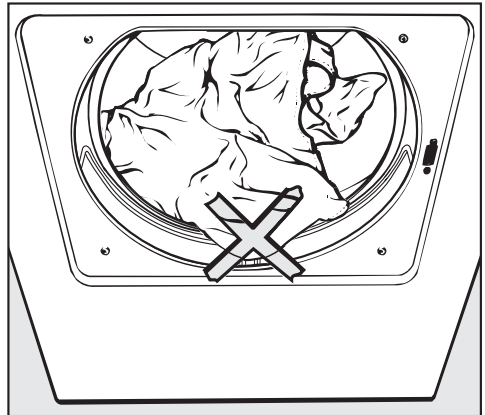
2 Load the drum and switch on the dryer

- Press the door button and open the door.
- Load the laundry loosely into the drum.

Do not overload the drum. Overloading can cause unnecessary wear and tear to the laundry and give a disappointing drying result.

See the "Programme chart" for maximum recommended loads.

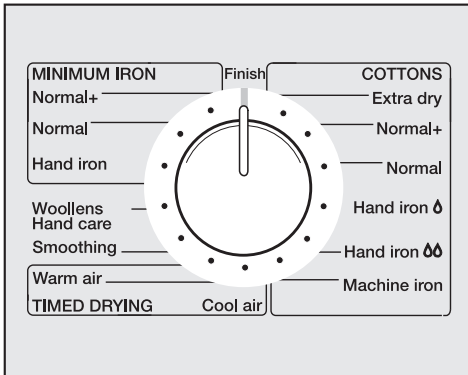
- Before closing the door check that the fluff filter is correctly positioned in the door.



When closing the door make sure items of laundry cannot be trapped by the door, as this will cause damage to the laundry.

- Shut the door either with a gentle swing or lean against it and push it shut.
- Switch the dryer on by pressing the "I-On/O-Off" button.

3 Selecting a programme



- Turn the programme selector to the programme required.

COTTONS and MINIMUM IRON

The length of the programme is electronically calculated according to the residual moisture content of the load. Approx. drying times are given in the "Consumption data" chart.

Woollens Hand care and Smoothing

See the "Consumption data" chart for programme times.

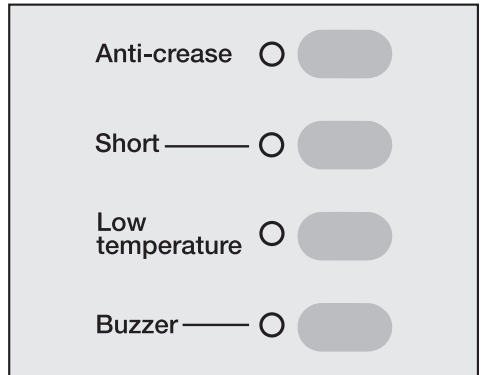
TIMED DRYING

When choosing Warm or Cool air TIMED DRYING you select the duration of the programme.

- Press the *Timed drying* button repeatedly until the required time appears in the display. Times are chosen as follows:
 - 15-30 minutes in 5 minute stages
 - Over 30 minutes in 10 minute stages.

If the *Timed drying* button is held pressed in, the time will automatically run up to 2 hours and then go back to 15 minutes again.

4 Selecting additional options



- Additional options are selected before starting a programme by pressing the relevant buttons.

It is not possible to activate additional options which are incompatible with the drying programme selected. The indicator light will go out when the option button is released. If an inappropriate combination of options is selected (e.g. "Short" and "Low temperature") only the last option selected will be activated.

Anti-crease

By selecting the anti-crease option the drum will turn at regular intervals after the end of the programme to prevent the laundry from settling into creases and folds.

The anti-crease option

- should be selected if laundry is not going to be removed from the drum as soon as the programme has finished.
- can be selected or de-selected after a programme has started.


How to dry correctly

Short

For drying fabrics which can withstand high temperatures, e.g. pure linens and cottons. Do not use on minimum iron or delicate fabrics.

- Because the heater rating is increased clothes dry faster thus shortening drying times.

Low temperature

For drying delicate fabrics with the symbol  (e.g. acrylic garments) at a lower temperature.

Because the heater rating is reduced clothes dry more slowly thus lengthening drying times.

Buzzer

An audible tone sounds repeatedly at the end of a programme.

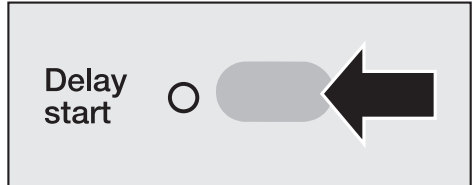
- The buzzer can be switched on or off after a programme has started.

The volume (and pitch) of the buzzer can be adjusted before a programme is started:

- Select the programme.
- Press the "Buzzer" button (the "Buzzer" indicator lamp will light up) until the desired volume / pitch is achieved. Then release the button.

5 Delay start

Once a programme has been selected, the start can be delayed by 30 minutes (30) up to 24 hours (24h).



- Press the *Delay start* button repeatedly until the required time appears in the display :
 - up to 10h in 30 minute stages.
 - over 10h in 1 hour stages.The time will run up to 24h by keeping the button pressed in.

Press the *Start* button. The chosen time will count down as follows:

- from 24h to 10h in 1 hour stages.
- less than 10h in 1 minute stages.

The dryer starts automatically once the delay start period has elapsed. The time left will appear in the display approx. 1 minute into the programme.

To cancel "Delay start":

Before the *Start* button has been pressed:

- Press the *Delay start* button once when 24h is showing in the display;

After the *Start* button has been pressed:

- Turn the programme selector to the *Finish* position.

6 Starting a programme

- Press the *Start* button.

The drying cycle begins.

The drying stage reached is shown by the sequence indicator lamps on the right hand side of the control panel.

At the end of the drying phase, a cooling down phase commences to cool the laundry down (the *Cool air* indicator lamp lights up).

The drying level required has now been reached.

7 After drying

The *Anti-crease/Finish* and the drying stage reached indicator lamps light up. The buzzer will sound at intervals during the anti-crease phase if it has been selected.

0 will then appear in the display.

- Press the *Door* button to open the drum door.
- Remove the laundry.

Make sure that the drum is empty. If items are left in the dryer, they could be damaged by overdrying when the dryer is next used.

- After every cycle remove the fluff from the fluff filter in the door and in the door opening (see "Cleaning and Care").
- Empty the condensed water container (where there is no external drainage of the water).

- The condenser unit should be checked and cleaned on a regular basis.

See "Cleaning and Care".

- After each use, switch the dryer off by pressing the *I-On / O-Off* button.
- Always close the door after use.

Additional notes

... *Clean out airways indicator lamp*

This indicator lamp comes on to warn you that the dryer is not working efficiently.

This may be because:

- the fluff filters are clogged;
- the condenser unit is clogged.

How to dry correctly

Brief instructions

These instructions are designed as a brief guide only. Please make sure that you also read the detailed instructions at the beginning of this section.

1 Sort the laundry

2 Load the dryer and switch it on

- Press the *Door* button to open the door.
- Load the drum.
- Close the door.
- Switch the dryer on by pressing the *I-On/0-Off* button.

3 Select a programme

- Turn the programme selector to the required programme.

For TIMED DRYING (warm or cool air):

- Press the *Timed drying* button repeatedly until the required drying time shows in the display.

Points 4 and 5 are optional.

4 Select any additional options as required

- Press the relevant button for the additional option(s) required.


5 Select Delay start

- Press the *Delay start* button repeatedly until the required delay period shows in the display.

6 Start the programme

- Press the *Start* button

7 At the end of a programme

- The *Anti-crease / Finish* indicator lights up.
-  appears in the display.
- Open the door and remove the laundry.
- Press the *I-On/0-Off* button to switch the machine off and close the door.

To change a programme

Programmes cannot be changed after the start button has been pressed. If the programme selector is turned to a different programme after a programme has begun, this will not affect the programme. The *Anti-crease / Finish* indicator lamp will flash. The indicator lamp will go out when the selector is returned to its original position.

After a programme has started, not all additional options can be switched on or off (see section "How to dry correctly").

To interrupt a programme

- Switch the machine off with the *I-On / O-Off* button.

To continue drying:

- Switch the dryer on with the *I-On / O-Off* button.

The programme will continue, as long as the cooling down phase has not been reached.

To cancel a programme and select a different programme

- Turn the programme selector to *Finish*.


The programme has been successfully cancelled when only the *Anti-crease/Finish* indicator lamp is on.

- Turn the programme selector to the required programme.
- Switch additional options on or off as required.

- Press the *Start* button.

Adding or removing items

- Press the *Door* button and open the door.

 Do not touch the back of the drum when adding or removing items. The drum could be very hot - danger of burning.

- Items can now be added or removed early.

To continue drying:

- Close the door.
- Switch additional options on or off as required.
- Press the *Start* button.
 - The programme will continue.
 - The time left shown in the display may now vary from the actual drying time.

Electronic system lock

The system lock prevents anyone from interfering with the dryer.

If the system lock has been activated it is not possible to start a programme.

The following **steps** (1, 2, 3...) must be carried out in the **correct order**.

Please proceed step by step:

To activate the system lock

- 1 Ensure that the door is closed and that the programme selector is turned to *Finish*.
- 2 Switch on the dryer with the *I-On/O-Off* button.
- 3 Press the *Anti-crease* button and keep it pressed in while carrying out steps 4 to 6.
- 4 Slowly turn the programme selector clockwise stage by stage until it reaches the COTTONS/*Normal* position.
- 5 Slowly turn the programme selector anti-clockwise stage by stage until it reaches the *Finish* position.
- 6 Slowly turn the programme selector anti-clockwise stage by stage until it reaches the MINIMUM IRON/*Hand iron* position.

The *Locked* indicator lamp will flash.

- 7 Release the *Anti-crease* button.

The system lock is now activated.

- 8 Switch off the dryer with the *I-On/O-Off* button.

To de-activate the system lock

- Repeat steps 1-7.

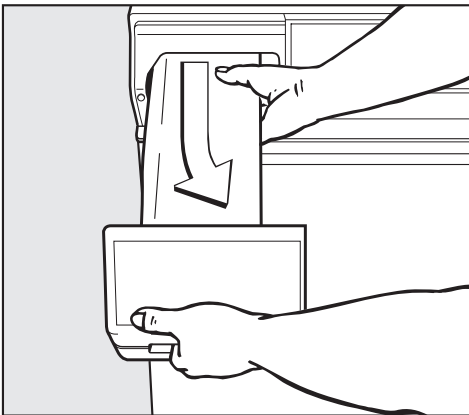
The *Locked* indicator lamp will go out after step 6.

Emptying the condensed water container

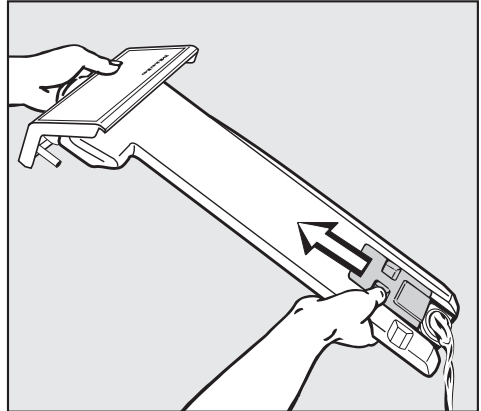
The condensed water will be collected in the condensed water container unless the machine has been fitted with a drain hose (see installation).

The condensed water container should be emptied **after every drying cycle** or as soon as the *Empty out container* indicator lamp comes on.

The drying programme will be interrupted if the maximum level of the condensed water container is reached. The *Empty out container* indicator lamp comes on and the buzzer sounds.



- Grip the container firmly with both hands, as shown, and pull it out slightly towards the right-hand side.
- Hold the container with both hands and carry it in a horizontal position.



- Open the shutter and empty out the water.
- To replace the container hold it at a slight angle (as when removing it) and push it in gently until you feel it click into position.
- Before starting a new programme, first switch the machine off and then on again. The *Empty out container* indicator lamp will go out.

Condensed water should not be consumed. It could lead to health problems for people and animals.

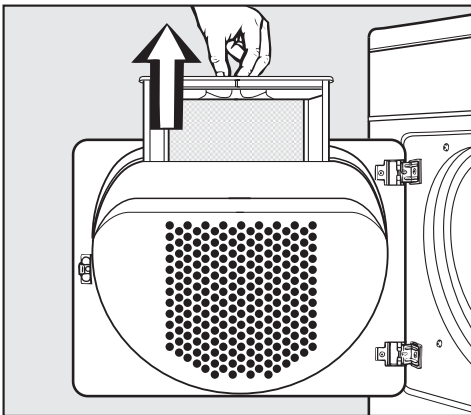
Condensed water can be put to household use (e.g. used in a steam iron or humidifier). To ensure that any residual particles of fluff in the condensed water are removed before use, pass it through a fine sieve or paper filter first.

Cleaning and care

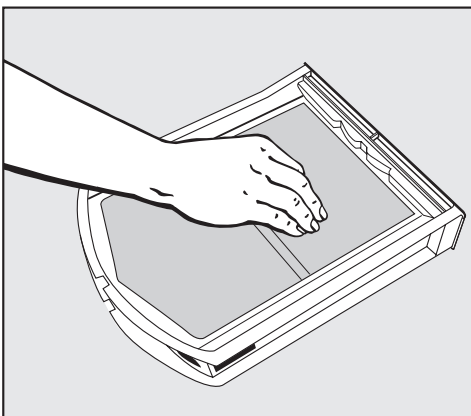
Cleaning the fluff filters

The fluff which is created by the drying process is collected by the fluff filters in the door and the door opening. Clean the filters after **each** drying programme.

Cleaning them whilst dry



- Open the door and pull the fluff filter out of the door as illustrated.

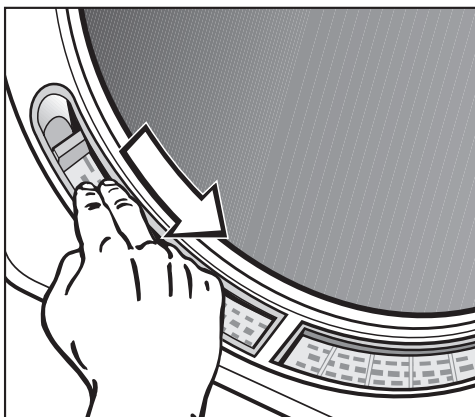


- Use your fingers to remove the fluff from the surface of the filter.

- Remove any fluff from the hollow part of the door holder. A cleaning brush is available as an optional extra from your Miele dealer or the Miele Spare Parts Department.

Tip: You can also use a vacuum cleaner.

- Once clean, push the filter back into the door holder until it clicks into position. Ensure it is facing the correct way.

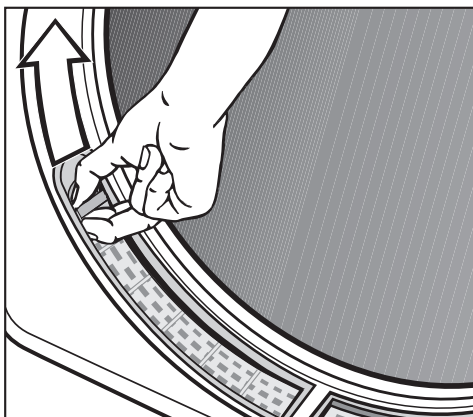


- Use your fingers to remove the fluff from the two fluff filters in the door opening.
- Close the door.


Cleaning them with water

If there is a great deal of compacted fluff on any of the filters, they can be removed and cleaned under hot running water.

- To remove the fluff filter from the door holder see previous page.



- Grip the holder and push the filter in the door opening upwards in the direction of the arrow to remove it. Do the same on the opposite filter.
- Rinse the filters under hot, running water.
- Then shake the filters until no more water droplets are visible.
- Dry the filters thoroughly with care.

 Do not replace them if they are damp or wet. Damp or wet filters could cause operational faults.

- Push the large filter back into the door holder until it clicks into position. Ensure it is facing the correct way.

- Place the filters back in the door opening (the left and right filters are identical) with the finger holders facing upwards. See illustration.

Cleaning the tumble dryer

Disconnect the machine from the mains electricity supply.

- Clean the housing and control panel with a slightly damp cloth and a mild detergent or soapy water.
- The drum and other stainless steel parts can be cleaned with a suitable proprietary stainless steel cleaner following the manufacturer's instructions.

Do not use solvents, abrasive cleaners, glass cleaners or all-purpose cleaners. These could damage plastic surfaces and other parts. The machine must never be hosed down.

- Dry all parts with a soft cloth.
- A microfibre E-Cloth is available from the Miele UK Spare Parts Department which is suitable for cleaning surfaces such as stainless steel, glass, plastic and chrome without the use of chemicals. It can be washed 300 times.

Cleaning and care

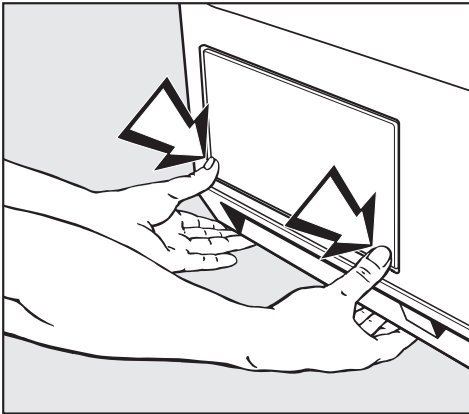
Cleaning the condenser unit

Detergent residue, hair and fine fluff from the dryer can get through the fluff filters and block the condenser unit.

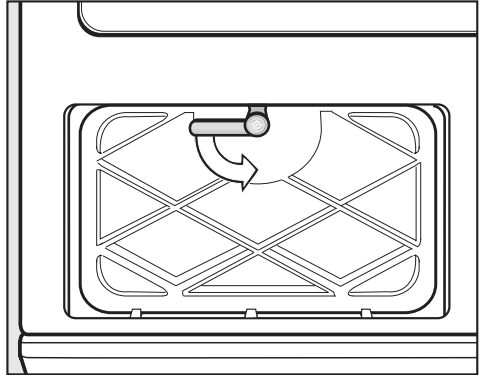
Dust from the room in which the dryer is installed can also get into the condenser unit and cause a blockage.

Check the condenser unit at least twice a year. If the dryer is used frequently then clean the condenser unit after approx. 100 drying cycles.

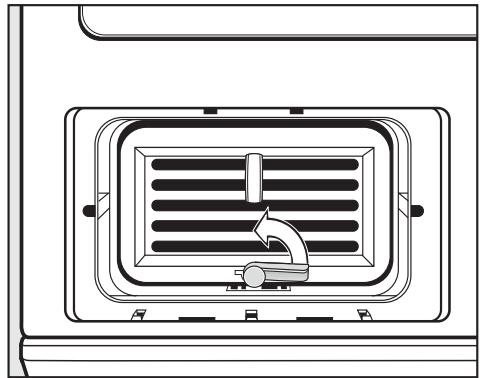
Removing the condenser unit



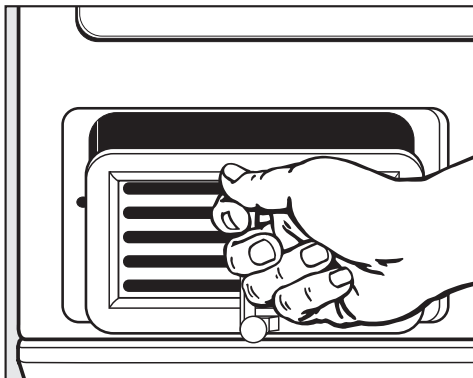
- Open the service panel by pressing the two lower corners at the same time (see illustration). The hooks at the side will prevent the panel from falling off.
- Now the remove the panel by pulling it diagonally upwards.
- Then place it to one side.



- Turn the lever on the inner cover downwards to the vertical position.
- Pull the cover forwards
- Then remove it by pulling it diagonally upwards.

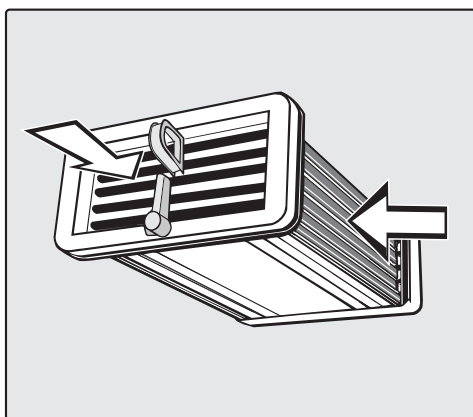


- Turn the lever on the condenser unit to the vertical position.



- Pull the condenser unit out of its housing by the handle.

Checking the condenser unit



- Hold the condenser unit up to the light **as shown**.
- Check to see if there is any fluff inside it.
The arrows in the illustration above indicate where to look.

If you cannot see any fluff:

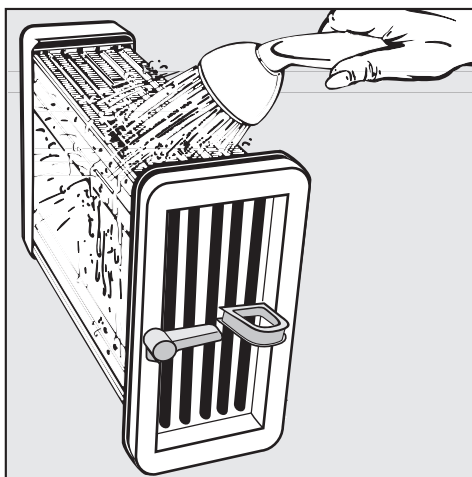
- Replace the condenser unit (see following page).

If you can see some fluff:

- Clean the condenser unit as described below.

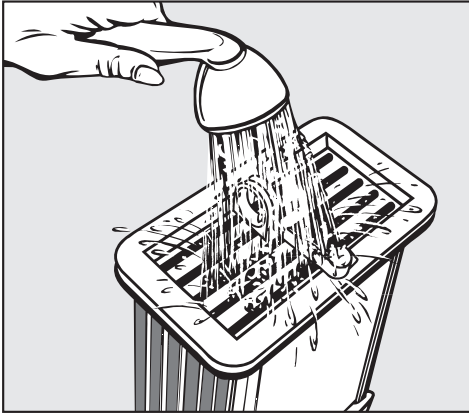
Cleaning the condenser unit

- When rinsing the condenser unit, make sure you position it as shown in the next two illustrations.



- Use a shower head or similar to rinse the unit out **as shown**.

Cleaning and care



- Then flush the unit through from the front.
- Check the condenser unit again for any visible fluff and if necessary flush it through again until it has all gone.
- Remove any soiling still visible inside the housing unit.
- Also make sure the rubber seals are clean.
The rubber seals must not be removed and must be free of kinks.
- Shake any excess water out of the unit until no more water droplets are visible.

Replacing the condenser unit

- With the handle facing upwards, push the condenser unit back into position in its housing.
- Turn the lever down to the horizontal position, making sure that the hook on the lever clicks into the groove.


When replacing the cover after cleaning, ensure that the rubber seal fits correctly into the groove.

- Replace the cover making sure the hooks locate correctly. Hold it at an angle and push it gently downwards.
- Then turn the lever upwards into the horizontal position to lock the cover.
- Replace the service panel and press the upper edge until it clicks into position.

It is important to ensure that both the condenser unit and the cover are correctly positioned and locked. Otherwise water may leak from the machine.

Problem solving guide

With the help of the following notes minor faults in the performance of the machine, some of which may result from incorrect operation, can be put right without contacting the Service Department.

 Repair work to electrical equipment should only be carried out by a suitably qualified person in accordance with local and national safety regulations. Repairs and other work by unqualified persons could be dangerous. The manufacturer cannot be held liable for unauthorised work.

General problems

Problem	Possible cause	Remedy
The tumble dryer fails to start when switched on.	No obvious cause.	<ul style="list-style-type: none">– Have you followed the switch-on procedure correctly (see “How to dry correctly”)?– Is the plug correctly inserted in the socket and switched on?– Is the door closed properly?– Has the fuse or circuit breaker tripped?
Items made of synthetic fibres are charged with static electricity after drying.	Synthetic fibres tend to attract static charge.	Static charge can be reduced by adding a fabric conditioner to the final rinse in the washing machine or a fabric conditioner sheet to the load in the dryer.

Problem solving guide

Problem	Possible cause	Remedy
There is a build up of fluff.	Fluff is principally the result of friction when garments are being worn and washed. Machine drying hardly causes any fluff to form and has been established by research institutes to have no effect on the lifetime of fabric.	Fluff is collected by the fluff filters and can be easily removed (see "Cleaning and Care").
The laundry is not sufficiently dry.	The load consisted of different fabrics.	<ul style="list-style-type: none">– Finish drying using "Timed drying - Warm air".– Select a more suitable drying programme next time (see "Programme chart").
There are water droplets at the upper edge of the drum aperture.	A double filter system with dual insulation prevents fluff from being deposited in the condenser unit. This insulation can lead to a build-up of condensation.	Laundry being removed from the machine may come into contact with these water droplets, but they will dry off in a matter of minutes.

Problem solving guide

Problem	Possible cause	Remedy
The drying process goes on too long or even switches off.	Important: Before attempting to remedy one of the following causes, switch the dryer off and switch on again to start the programme again.	
	Ventilation to and from the dryer may be insufficient (e.g because it is installed in a small room). This has caused the temperature in the room to rise sharply.	Open a door or window while the machine is in operation for increased air flow.
	The fluff filters are clogged up with fluff or were still wet when they were replaced.	<ul style="list-style-type: none"> – Remove any fluff. – The fluff filters must be completely dry.
	The laundry has not been spun sufficiently.	Make sure that your laundry is thoroughly spun at highest spin speed for the type of fabric.
	The tumble dryer has been overloaded.	Do not exceed the maximum load for the programme selected.
	Metallic components, e.g. zips have prevented the dryer from registering the correct moisture level in the laundry.	<ul style="list-style-type: none"> – Close zips and fasten any hooks next time. If the problem occurs again, dry garments with long zips using "Timed drying - Warm air".
	Detergent residues, hair and fine fibres can block up the condenser unit.	Check the condenser unit from time to time and clean it if necessary (see "Cleaning and Care").
	The vents below the door are blocked.	Remove any objects that are blocking the vents.

Problem solving guide

Problem	Possible cause	Remedy
The condenser unit service panel will not shut.	The inner cover of the condenser unit has not been locked properly and/or the condenser unit has not been positioned correctly.	<ul style="list-style-type: none"> – Ensure that the condenser unit is positioned correctly and lock the cover. – Check the rubber seals.
Water leaks from the machine after the condenser unit has been cleaned.	Fluff has collected at the bottom of the condenser unit housing.	<ul style="list-style-type: none"> – Use a cloth to remove any fluff from the inside of the condenser unit housing.
The interior drum lighting does not come on.	The lighting switched off automatically.	The lighting only comes on when the door is opened if the dryer is switched on. To save energy the lighting goes out after a while if the door is left open.
	The lamp needs changing.	Change the lamp as described at the end of this section.
The ring around the programme selector does not light up.	The lighting switched off automatically.	It lights up when drying is in progress and goes out shortly after the end of the programme to save energy.

Check and fault indicator lamps

Problem	Possible cause	Remedy
The <i>Anti-crease / Finish</i> indicator lamp flashes while drying is in progress.	The programme selector was moved after the start of a programme. The programme continues to run as normal.	Turn the selector back to the original position and the indicator lamp will go out.
The <i>Locked</i> indicator lamp flashes when the machine is switched on and the programme cannot be started.	The system lock is activated.	If you wish to use the dryer, the system lock must be deactivated (see "Electronic system lock").


Problem solving guide

Problem	Possible cause	Remedy
The <i>Clean out airways</i> lamp comes on.	The fluff filters may be blocked.	Remove any fluff (see "Cleaning and care").
	The condenser unit may be blocked with fluff and detergent residues.	Please note that the condenser unit must be cleaned regularly (see "Cleaning and care").
		The check lamp will go out when the door is opened.
The programme stops and the <i>Clean out airways</i> lamp flashes.	Possible causes and remedies are described above in (The <i>Clean out airways</i> lamp comes on).	
	There is no obvious cause.	<ul style="list-style-type: none"> – Switch off the dryer. – Then switch the dryer back on and start the programme again. <p>If the programme stops again and the <i>Clean out airways</i> lamp flashes, there is a fault. Contact the Miele Service Department.</p>
The <i>Empty out container</i> indicator lamp comes on.	The condensed water container is full or there is kink in the drain hose.	<ul style="list-style-type: none"> – Empty out the condensed water container. – Check the drain hose. – Before starting a new programme, first switch the dryer off and then on again.

Problem solving guide

Problem	Possible cause	Remedy
The programme has been interrupted, the indicator lamp for <i>Hand iron</i> or <i>Machine iron</i> is flashing, and the buzzer sounds.	No obvious cause.	<ul style="list-style-type: none"> – Switch the dryer off and then on again. – Then start the programme again. <p>If the programme stops again and an indicator lamp flashes, there is a fault. Contact the Miele Service Department.</p>

Check and fault indicator messages in the display

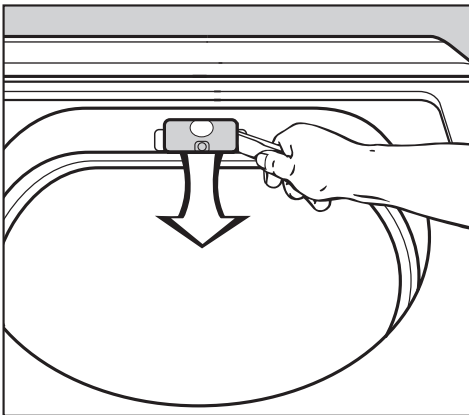
After the beginning of the programme the following symbols flash in the display: "=== ... -== ... == ...".	This is not a fault.	The electronic unit is calculating the drying time for the programme (see "Guide to the appliance").
Shortly before the end of the programme, the count down of the time left to run halts at 11 or 5, horizontal bars flash but the dryer continues to dry.	<p>This might be because:</p> <ul style="list-style-type: none"> – items of laundry may have rolled up together. – the types of fabrics being dried may take different times to dry. – the fluff filters are clogged. – the temperature in the room may have changed. 	The drying process is not yet complete. The programme needs more time than the electronic unit calculated at the start of the programme. The time count down is suspended until the degree of drying selected has been reached.
The programme has been stopped, the <i>Anti-crease/Finish</i> lamp comes on,  appears in the display and the buzzer sounds.	This is not a fault. The electronic unit has recognised that there is no laundry in the drum and cancelled the programme. Drying individual garments or items which are already dry can also cause the programme to be stopped.	<p>Use the "Timed drying - Warm air" programme to dry individual items.</p> <p>Before changing a programme: Open and close the drum door.</p>

To change the interior drum lamp

- Open the door.

Before changing the lamp, disconnect the machine from the mains power supply.

You will find the interior lamp cover at the top of the drum aperture.



- Insert the opener under the side edge of the cover as illustrated.
- Turn your wrist to make the cover open downwards.

The temperature resistant lamp should only be ordered from your Miele dealer or the Miele Spare Parts Department.

The lamp must not exceed the maximum wattage quoted on the data plate and on the lamp cover.

- Replace the lamp.

- To close the flap push it upwards and press it on the left and right until you hear it click into position.

The cover must be fixed securely, as otherwise moisture may seep in and cause a short circuit.

Problem solving guide

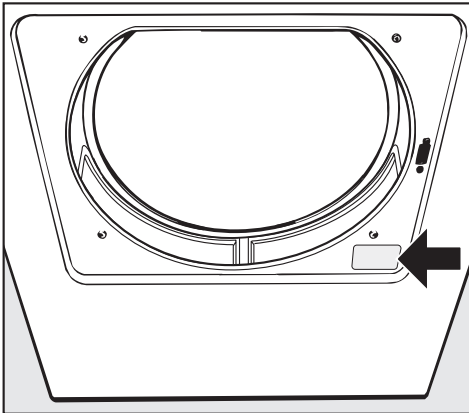
After sales service

Repairs

In the event of any faults which you cannot remedy yourself, please contact

- Your Miele Dealer or
- The nearest Miele Service Department (see back cover for address).

When contacting the Service Department, please quote the Model and Serial numbers both of which are located on the data plate situated on the right hand side below the drum aperture.



Please note that telephone calls may be monitored and recorded to improve our service.

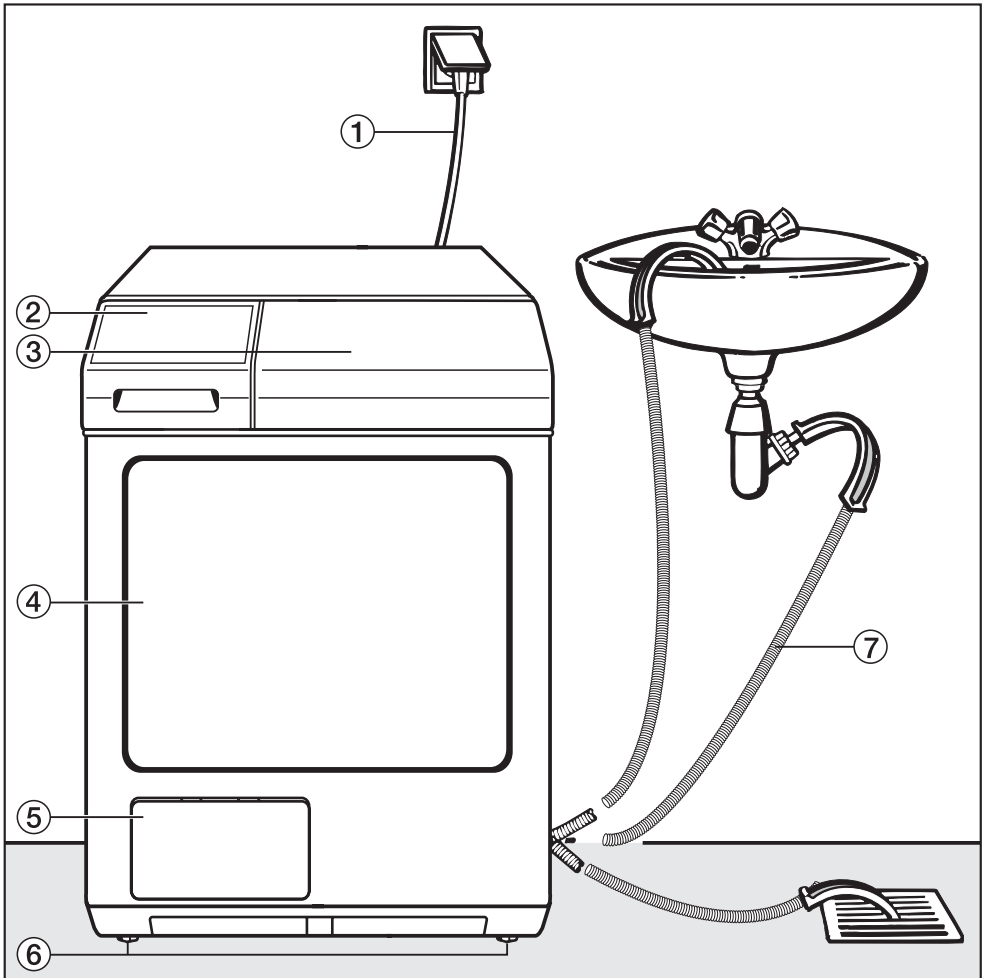
Future updates (PC)

The indicator or check lamp marked PC on the fascia panel is the interface used by the Miele service technicians during service work for testing purposes and for updating the machine's programme data.

Optional accessories

Optional accessories for these dryers are available from your Miele Dealer or from the Miele Spare Parts Department.


Front view



- ① Supply cable for electrical connection
- ② Condensed water container
- ③ Control panel
- ④ Door
- ⑤ Service panel for condenser unit
- ⑥ Four height-adjustable screw feet
- ⑦ External drainage options (e.g. via wash basin, wash basin drain outlet, or gully).

Installation

Installation site

 Make sure the dryer door can be opened without hindrance after installation.

Room in which the dryer is located

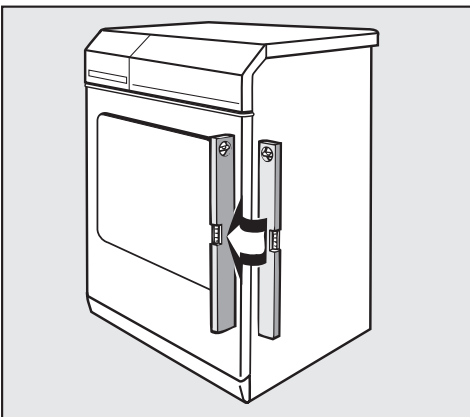
Air taken in for use in the drying process will be warm when it is expelled from the rear of the dryer. This expelled air heats up the air in the room. It is therefore very important to ensure that the room is adequately ventilated, particularly if the dryer is located in a small room. Otherwise running times and energy consumption could be increased.

Transporting the machine to its installation site

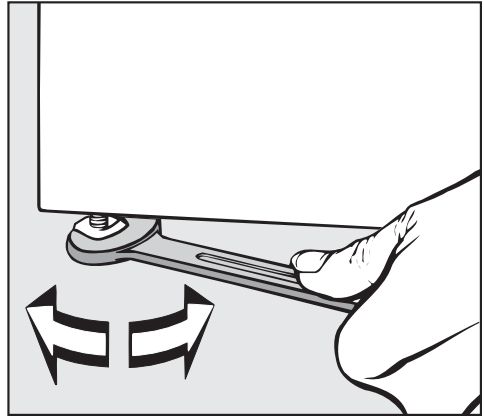
When moving the machine you can hold it by the lid where it protrudes to the rear of the dryer.

To manoeuvre the dryer out of its packing case to its installation site you will also need to hold it by the front feet.


Aligning the machine



The machine must be perfectly level to ensure safe and proper operation.



- The screw feet can be adjusted to compensate for any unevenness in the floor.

 The ventilation gaps in the plinth must not be covered over as this would prevent a sufficient intake of air.

This tumble dryer is not suitable for building under (due to its sloping fascia).

Before moving the machine again (e.g. when moving house)

After each use a small quantity of condensed water will collect in the area around the pump. This water can run out if the machine is tipped up when it is being moved. It is a good idea to run the *Cool air* programme for approximately 1 minute before moving the machine. Any remaining condensed water will then be fed into the condensed water container or out through the drain hose.

External condensed water outlet

When drying is in progress, condensed water is pumped into the condensed water container through the drain hose at the back of the dryer. The condensed water can also be drained off directly if the machine is installed near a sink, drain outlet etc. so that the condensed water container does not have to be emptied.

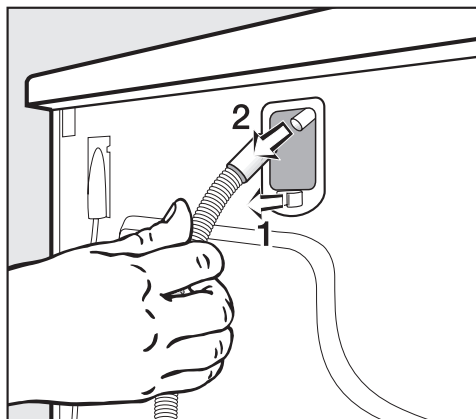
The drain hose (approx. 2 m long) is stored in the dryer. It must be pulled out of the dryer to its full extent if condensed water is to be drained externally.

Maximum delivery head: 1 m.

If it is not long enough, an extension hose is available as an optional accessory through your dealer or from the Miele Spare Parts Dept.

Pulling out the drain hose

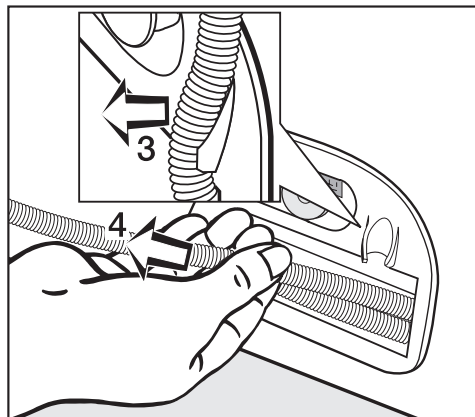
From the back of the dryer at the top:



- Unclip the drain hose (1).
- Then pull it off holder (2).

From the back of the dryer at the bottom:

- Unclip the drain hose from holder (3).



- Then pull the drain hose **completely out of the dryer towards the left (4)** (See illustration).

⚠ Important: do not let the drain hose become kinked as this could damage it.

⚠ If you want to drain the water off into a sink you will need to secure the hose carefully, e.g. by tying it to a tap to make sure it cannot slip during use. Otherwise there is a risk of overflowing water which could cause damage.

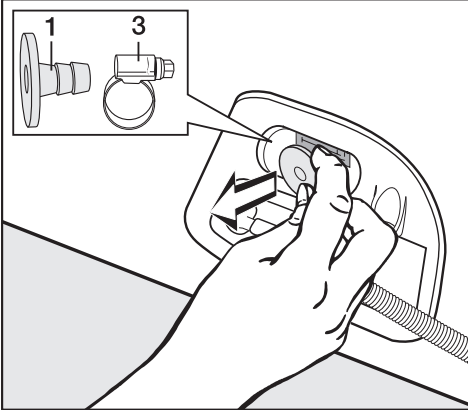
Use the bow-shaped guide to prevent the drain hose from becoming kinked (see "Front view" illustration).

Installation

Connection to a sink drain outlet

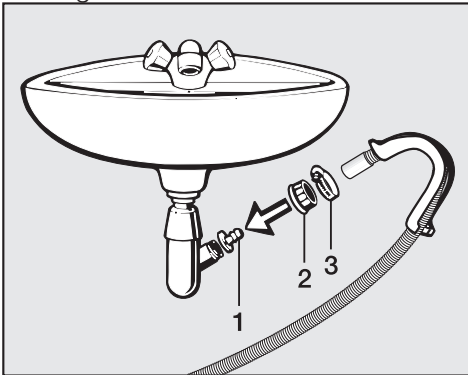
The drain hose can be connected directly to a sink drain outlet.

- Remove the following from the back



of the dryer at the bottom:
Adapter **1** and hose clip **3** behind it.


- Fit adapter **1** to the sink drain outlet using nut **2**.



If this nut has a flat disc sealing it you should take the disc out first.
Important: if this nut has a washer or seal in it this must not be removed!

- Attach the end of the hose to adapter **1**.
- Use a screwdriver to tighten hose clip **3** up close to the nut.

If you no longer wish to use an external condensed water outlet

 **Do not** push the drain hose back into the dryer. Doing this could cause it to become kinked and damaged in the dryer.

- Loop the drain hose up.
- Use a suitable cable tie to secure the looped hose to the back of the dryer, or simply lay the looped hose behind the dryer.
- Attach the open end of the drain hose back onto the holder at the back of the dryer at the top (see holder **2** in "Pulling out the drain hose").

Electrical connection U.K.

All electrical work should be carried out only by a suitably qualified and competent person, in strict accordance with national and local safety regulations.

Ensure power is not supplied to the machine while installation work is being carried out.

The machine is supplied with a mains cable with moulded plug for connection to a 230-240V mains supply. **The voltage, rated load and fuse rating are given on the data plate.** Please ensure these match the household mains supply.

Connection should be made via a fused plug and suitable switched socket which is easily accessible after installation.

For extra safety it is advisable to install a residual current device (RCD), with a trip current of 30 mA (in accordance with DIN VDE 0664, VDE 0100, section 739).

Do not connect via an extension lead.

Important

The wires in the mains lead are coloured in accordance with the following code:

Green/yellow = earth

Blue = neutral

Brown = live

Electrical connection U.K. Non-rewireable plugs BS 1363

If this machine is fitted with a non-rewireable plug and the socket outlets are not suitable for the plug supplied or if the existing plug needs to be replaced by a new one, the old plug will need to be cut off and an appropriate plug fitted. The fuse carrier and the fuse should be removed from the old plug and disposed of.

The plug cut from the cable should then be disposed of and on no account be inserted into any socket elsewhere in the house (electric shock hazard).

The fuse cover must be refitted when changing the fuse, and if the fuse cover is lost, the plug must not be used until a suitable replacement is obtained. The colour of the correct replacement cover is that of the coloured insert in the base of the plug, or the colour that is embossed in words on the base of the plug (as applicable to the design of plug fitted).

Replacement fuses should be ASTA approved to BS 1362 and have the correct rating. Replacement fuses and fuse covers may be purchased from your local electrical supplier or Service agent.

Electrical connection

If the colours of the wires in the mains lead of this machine do not correspond with the coloured markings identifying the terminals of your plug, proceed as follows:

- The wire which is coloured green and yellow must be connected to the terminal in the plug which is marked with the letter E or by the earth symbol \perp or coloured green, or green and yellow.
- The wire which is coloured blue must be connected to the terminal in the plug which is marked with the letter N or coloured black.
- The wire which is coloured brown must be connected to the terminal in the plug which is marked with the letter L or coloured red.

**WARNING: THIS APPLIANCE
MUST BE EARTHED**

Consumption data

Programme	Capacity	Final spin speed (in a domestic washing machine)	Electricity consump- tion	Drying time incl. cooling down time
	kg	rpm	kWh	Minutes
COTTONS				
Extra dry	5.0	1200	3.25	86
		1400	3.10	83
		1600	2.85	76
Normal +	5.0	1200	2.80	76
		1400	2.65	73
		1600	2.40	66
Normal ⁽¹⁾	5.0	800 (70 % residual moisture)	3.40	89
Normal	5.0	1200	2.65	73
		1400	2.55	70
		1600	2.25	63
Hand iron ∆∆ ⁽¹⁾	5.0	800 (70 % residual moisture)	2.75	72
Hand iron ∆∆	5.0	1200	2.00	55
		1400	1.90	52
		1600	1.60	46
Machine iron	5.0	1200	1.60	46
		1400	1.50	43
		1600	1.20	36
MINIMUM IRON				
Normal ⁽¹⁾	2.5	1000 (50 % residual moisture)	1.25	40
Hand iron	2.5	1000	1.10	36
Special care				
Woollens hand care	2.0	-	0.20	4
Smoothing	2.5	-	0.30	9

⁽¹⁾ EN 61121 test programme

EN 61121 Standard testing

Before testing in accordance with EN 61121, dry a 3 kg load of cotton laundry with 70% residual moisture as per the above standard using the Normal Cottons programme without selecting any additional functions.

Consumption data can vary from the nominal values given above depending on the size of the load, types of textiles, residual moisture levels after spinning, fluctuations in the electricity supply and any additional options selected.

Technical data

Height	85 cm (adjustable +0.7/- 0.7 cm)
Width	59.5 cm
Depth	58 cm
Weight	54 kg
Drum volume	100 litres
Maximum capacity	5 kg dry weight
Capacity of condensed water container	approx. 3.5 l
Length of connection cable	1.60 m
Maximum delivery head	1 m
Maximum drain hose length	3 m
Voltage	see data plate
Rated load	see data plate
Fuse rating	see data plate
Lamp wattage	see data plate
Energy consumption	see "Consumption data"
Test certificates awarded	Radio/TV suppressed, VDE

Programmable functions for changing standard settings

Programmable functions

Increased drying level

The Sensitive System aims to dry using as little energy as possible. However, if you require the laundry to be drier, it is possible to reduce the final moisture level in the COTTONS and MINIMUM IRON programmes.

The machine is delivered with this programmable function switched off.

Programming and storing in memory

The programmable functions are activated to call up further features not shown on the control panel by using the additional option buttons in combination with the programme selector.

Before you begin, first ensure that:

- The tumble dryer is switched off.
- The door is closed.
- The programme selector is at *Finish*.

- ① Press the additional option buttons *Short* and *Low temperature* at the same time, hold pressed in and ...
- ② ... switch on the dryer with the *I-On/O-Off* button.
- ③ Let go of all these buttons.
 - "P" will appear in the display.
 - The *Drying* and *Cool air* indicator lights will flash.

④ Turn the programme selector to **COTTONS, Extra dry**.

⑤ The number of the programmable function will flash alternately with the "P" on the left of the display -
P: P...1...P... 1... .

The number on the right will show constantly:

0 = Increased drying level - **off**

1 = Increased drying level - **on**

⑥ Press the *Start* button to change the number on the right from

0 to 1 = on or from

1 to 0 = off.

The setting you have selected is now stored in memory.

⑦ Switch the machine off with the *I-On/O-Off* button.

To check:

■ Carry out steps ① to ⑤.

■ Switch off the dryer.

The check is complete.

Memory

The additional options selected previously for specific programmes are stored in the machine's memory.

The machine is delivered with this programmable function deactivated. It can be activated if wished.

Programming and storing in memory

The programmable functions are activated to call up further features not shown on the control panel by using the additional option buttons in combination with the programme selector.

Before you begin, first ensure that:

- The tumble dryer is switched off.
- The door is closed.
- The programme selector is at *Finish*.

- 1 Press the additional option buttons *Short* and *Low temperature* at the same time, hold pressed in and ...
- 2 ... switch on the dryer with the *I-On/O-Off* button.
- 3 Let go of all these buttons.
 - "P" will appear in the display.
 - The *Drying* and *Cool air* indicator lights will flash.

- 4 Turn the programme selector to **COTTONS, Normal**.

- 5 The number of the programmable function will flash alternately with the "P" on the left of the display -
P: P...3...P... 3...

The number on the right will show constantly:

0 = Memory function - **off**

1 = Memory function - **on**

- 6 Press the *Start* button to change the number on the right from
0 to 1 = on or from
1 to 0 = off.

The setting you have selected is now stored in memory.

- 7 Switch the machine off with the *I-On/O-Off* button.

To check:

- Carry out steps 1 to 5.
- Switch off the dryer.

The check is complete.

**United Kingdom:**

Miele Co. Ltd.
Fairacres, Marcham Road
Abingdon, Oxon, OX14 1TW
tel. Abingdon (01235) 554455
Service Office: (01235) 554466
fax (01235) 554477
Internet: www.miele.co.uk

Ireland:

Miele Ireland Ltd.
Broomhill Road, Tallaght, Dublin 24
Tel: (01) 46 10 710, Fax: (01) 46 10 797
Email: info@miele.ie
Internet: <http://www.miele.ie>

Australia:

Miele Australia Pty. Ltd.
A.C.N. 005635398
1 Gilbert Park Drive
Knoxfield, VIC 3180
Telephone: (03) 9764 7100
Fax: (03) 9764 7129
Internet: www.miele.com.au

Distributor New Zealand:

Steelfort Engineering Company. Ltd.
500 Rangitikei Street
Palmerston North, Priv. Bag 11045, NZ
Telephone: (06) 350 1350
Fax: (06) 356 1507

South Africa:

Miele (Pty) Ltd
304 Tungsten Road
Strijdom Park 2194
P.O.Box 1654, Randburg 2125
Tel. (011) 793-7452
Telefax (011) 793-7447
E-mail: info@miele.co.za
Internet: www.miele.co.za

Singapore:

Miele Southeast Asia
Miele Pte. Ltd.
163 Penang Road
04 - 02/03 Winsland House II
Singapore 238463
Tel : +65-67351191
Fax: +65-67351161
Email: mielesea@miele.com.sg

Hong Kong:

Miele (Hong Kong) Limited
AIA Plaza, Room 401, 4th Floor
18 Hysan Avenue
Causeway Bay
Hong Kong
Tel.: (852) 2610 1331
Fax: (852) 2610 1013
E-mail: mielehk@netnavigator.com

Free Manuals Download Website

<http://myh66.com>

<http://usermanuals.us>

<http://www.somanuals.com>

<http://www.4manuals.cc>

<http://www.manual-lib.com>

<http://www.404manual.com>

<http://www.luxmanual.com>

<http://aubethermostatmanual.com>

Golf course search by state

<http://golfingnear.com>

Email search by domain

<http://emailbydomain.com>

Auto manuals search

<http://auto.somanuals.com>

TV manuals search

<http://tv.somanuals.com>