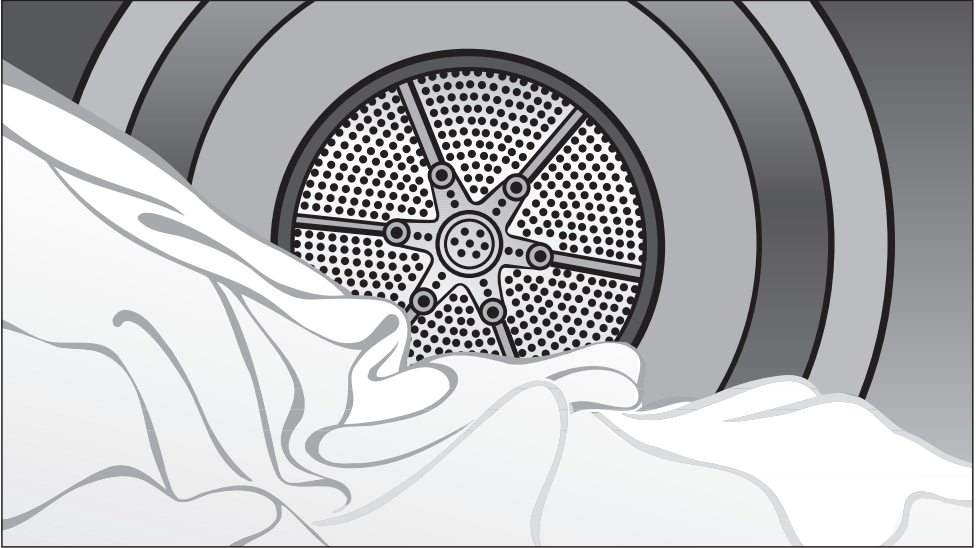


Miele

NOVOTRONIC



Operating instructions for condenser tumble dryer T 294 C

To avoid the risk of accidents
or damage to the appliance
it is **essential** to read these
instructions before it is installed
and used for the first time.

en - GB

M.-Nr. 06 985 870

Caring for the environment

Disposal of the packing material

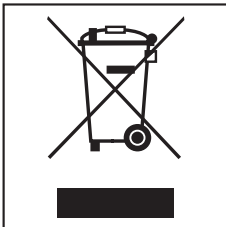
The transport and protective packing has been selected from materials which are environmentally friendly for disposal and can normally be recycled.

Ensure that any plastic wrappings, bags etc. are disposed of safely and kept out of the reach of babies and young children. Danger of suffocation!

Rather than just throwing these materials away, please ensure they are offered for recycling.

Disposal of your old appliance

Electrical and electronic appliances often contain materials which, if handled or disposed of incorrectly, could be potentially hazardous to human health and to the environment. They are, however, essential for the correct functioning of your appliance. Please do not therefore dispose of your appliance with your household waste.



Please dispose of it at your local community waste collection / recycling centre or contact your Dealer for advice. Ensure that it presents no danger to children while being stored for disposal.

Energy saving tips

To avoid unnecessarily long drying times and high consumption of energy:

- Make sure that your laundry is thoroughly spun before drying.

The higher the spin, the greater the savings that can be made in energy and time during drying.

- Load according to the optimum amount of laundry recommended for the programme being used (see Programme chart).

Underloading is uneconomical.

Overloading gives a poorer quality of drying and may cause unnecessary creasing.

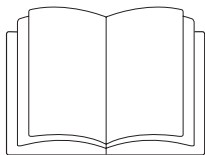
- Make sure the room in which the dryer is located is well ventilated.
- Make sure the fluff filters are clean before using the dryer.
- Check the condenser unit from time to time and clean it when necessary.

Caring for the environment	2
Warning and Safety instructions	5
Control panel	9
Notes on laundry care	10
Care symbols	10
Tips on drying	10
How to dry correctly	11
Brief instructions	11
Low temperature	12
Changing the programme sequence	13
Changing a programme once it has started	13
Cancelling a programme once it has started and then selecting a different programme	13
Cancelling a programme once it has started and then removing the laundry	13
Adding or removing laundry after a programme has started	13
Programme chart	14
Cleaning and care	16
Emptying the condensed water container	16
Cleaning the fluff filters	17
Cleaning them whilst dry	17
Cleaning them with water	18
Cleaning the tumble dryer	19
Cleaning the condenser unit	20
Removing the condenser unit	20
Checking the condenser unit	21
Cleaning the condenser unit	21
Replacing the condenser unit	22
Problem solving guide	23
General problems	23
Check and fault messages	26
Changing the lamp	27
After Sales service	28
Future updates (PC)	28
Appliance guarantee	28
Optional accessories	28

Contents

Installation	29
Front view	29
Rear view	30
Installation site	30
Transporting the tumble dryer to its installation site	30
Building under a continuous worktop / in a kitchen run	30
Levelling the tumble dryer	31
Room in which the dryer is located.	31
Washer-dryer stack.	31
Before moving the tumble dryer again (e.g. when moving house).	31
External condensed water outlet	32
Arranging the drain hose	32
External drainage via a sink or gully	33
Installation conditions requiring a non-return valve	33
Electrical connection	35
Electrical connection U.K.	35
Consumption data	36
Technical data	37
Programmable functions	40
Altering the residual moisture level in the Cottons programmes	40
Altering the residual moisture level in the Minimum iron programmes	41
Activating and deactivating the buzzer	42
Extending the cooling down time.	43
Anti-crease.	44
Changing the standard drying level in the Minimum iron - Normal programme	45
Changing the standard drying level in the Automatic programme	46

Warning and Safety instructions



► It is **essential** to read these instructions.

This tumble dryer conforms to current safety requirements. Inappropriate use can, however, lead to personal injury and damage to property.

To avoid the risk of accidents and damage to the tumble dryer, please read these instructions carefully before using it for the first time. They contain important information on its safety, installation, use and maintenance.

Keep these instructions in a safe place and ensure that new users are familiar with the content. Pass them on to any future owner.

Correct application

► This tumble dryer is only intended for drying fabrics which have been washed in a water solution, and marked on the manufacturer's care label as being suitable for tumble drying.

"Dry cleaning kits" for freshening up garments in a tumble dryer are increasingly available on the market. If using, do so at your own risk, and follow the instructions provided on the packaging.

Any other applications may be dangerous. Miele cannot be held liable for damage resulting from incorrect or improper use or operation.

► This appliance is not intended for use by persons (including children) with reduced physical, sensory or mental capabilities, or lack of experience or knowledge, unless they are supervised whilst using it or have been shown how to use it by a person responsible for their safety.

Safety with children

► Keep children away from the tumble dryer at all times. It is not a toy! To avoid the risk of injury do not allow them to play on or near it or to play with its controls. Supervise children whilst you are using it.

► Older children may only use it if its operation has been clearly explained to them, and they are able to use it safely, recognising the dangers of incorrect use.

Warning and Safety instructions

Technical safety

▶ Before setting up the tumble dryer, check it for any externally visible damage.

Do not install or use a damaged tumble dryer.

▶ Before connecting the tumble dryer, ensure that the connection data on the data plate (voltage and connected load) match the mains electricity supply. If in any doubt, consult a qualified electrician.

▶ The electrical safety of this tumble dryer can only be guaranteed when continuity is complete between it and an effective earthing system which complies with current local and national safety regulations. It is most important that this basic safety requirement is present and regularly tested, and where there is any doubt the household wiring system should be inspected by a qualified electrician. Miele cannot be held liable for the consequences of an inadequate earthing system (e.g. electric shock).

▶ Do not connect the tumble dryer to the mains electricity supply by an extension lead. Extension leads do not guarantee the required safety of the tumble dryer (e.g. danger of overheating).

▶ Unauthorised repairs could result in unforeseen dangers for the user, for which Miele cannot accept liability. Repairs should only be undertaken by a Miele approved service technician. Ensure current is not supplied to the tumble dryer until after maintenance or repair work has been carried out.

▶ Faulty components must only be replaced by genuine Miele original spare parts. Only when these parts are fitted can the safety standards of the tumble dryer be guaranteed.

▶ If the connection cable is faulty it must only be replaced by a Miele approved service technician to protect the user from danger.

▶ In the event of a fault or for cleaning purposes, the tumble dryer is only completely isolated from the electricity supply when:

- it is switched off at the wall socket and the plug is withdrawn, or
- it is switched off at the mains, or
- the mains fuse is disconnected, or the screw-out fuse is removed (in countries where this is applicable).

▶ This tumble dryer may only be used in mobile installations such as ships if a risk assessment of the installation has been carried out by a suitably qualified engineer.

▶ In countries where there are areas which may be subject to infestation by cockroaches or other vermin, pay particular attention to keeping the tumble dryer and its surroundings in a clean condition at all times. Any damage which may be caused by cockroaches or other vermin will not be covered by the guarantee.

▶ Do not make any alterations to the tumble dryer, unless authorised to do so by Miele.

Warning and Safety instructions

Correct use

► To prevent the risk of fire, the following textiles must not be dried in this tumble dryer:

- items which have not been washed.
- items, such as workwear, which have not been thoroughly cleaned and which are still soiled with grease, oil or other deposits (such as cosmetics, lotions etc).
If items have not been thoroughly cleaned there is a danger that these might ignite when heated, even after they have been removed from the dryer at the end of the programme.
- items which have been treated with inflammable cleaning agents or contain residues of acetone, alcohol, benzene, petrol, stain remover, turpentine, wax, wax remover or other chemicals (e.g. mops and floor cloths).
- items which have been splashed with hair lacquer, hair spray, nail varnish remover or similar substances.

When washing such heavily soiled items ensure that you use sufficient detergent and select a high temperature. If in doubt, wash the items several times.

► To prevent the risk of fire, the following must not be dried in this tumble dryer:

- fabrics which contain a large proportion of rubber, foam rubber or rubber-like materials. For example, products made from latex foam rubber, shower caps, waterproof textiles, rubberised articles and items of clothing and pillows with foam rubber filling.
- items which contain padding or fillings (e.g. pillows, jackets). If these were damaged the filling could get out with the risk of igniting in the dryer.

► In many programmes, the heating phase is followed by a cooling down phase to ensure that the items are not too hot to handle when you remove them (this also avoids the danger of the laundry self-igniting). The programme is not finished until the cooling down phase is complete.

Ensure that you always wait until the end of the programme before removing the laundry.

► **Warning:** Do not switch the tumble dryer off before the end of the drying programme. If this was done and the laundry was then removed immediately, it could give off a great amount of heat.

► Fabric conditioner and similar products must be used according to the instructions on the manufacturer's packaging.

Warning and Safety instructions

▶ The dryer must not be used without the fluff filters in place or if the fluff filters are damaged in any way.

▶ The fluff filters must be cleaned regularly.

▶ The dryer must not be used without the condenser unit in place.

▶ The fluff filters must be thoroughly dried after cleaning. Damp or wet filters could cause operational faults.

▶ Do not install the tumble dryer in a room where there is a risk of frost occurring. At temperatures around freezing point the tumble dryer may not be able to operate properly. There is a risk of damage if the condensed water is allowed to freeze in the pump, hoses and / or condensed water container.

The ambient room temperature should be between +2°C and +35°C.

▶ If the water is drained externally through the drain hose instead of being collected in the condensed water container, make sure the drain hose is securely attached if you hang it in a sink or basin to avoid the hose slipping and the water causing damage.

▶ Condensed water is not drinking water.

It can cause health problems in both people and animals.

▶ Always keep the area around the tumble dryer free of dust and fluff. Dust drawn into the tumble dryer can cause blockages in the condenser unit over time.

▶ Do not let anyone sit or lean on the door, as this can cause the tumble dryer to tip up.

▶ Always close the door after use. This way you will avoid the danger of:

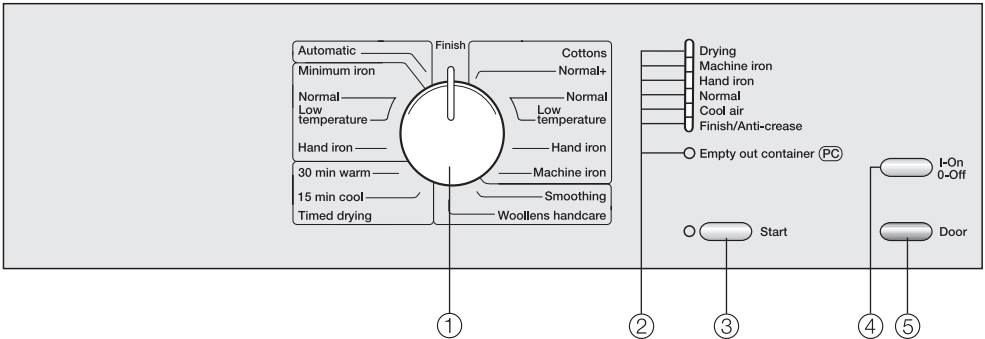
- children climbing onto or into the dryer or hiding things in it.
- pets or other small animals climbing into it.

▶ The tumble dryer must not be hosed down.

Accessories

▶ Only use genuine Miele spare parts and accessories with this appliance. If non-Miele parts are used, guarantee, performance and product liability claims may be invalidated.

Miele cannot be held liable for damage caused by non-compliance with these Warning and Safety instructions.



① Programme selector

The programme selector can be turned clockwise or anti-clockwise.

② Programme sequence and check lamps

③ Start button

Press the *Start* button to start a programme.
The *Start* indicator lamp will flash as soon as a programme can be started. It lights up constantly once the programme has started.

④ I-On/0-Off button

To switch the appliance on or off / to interrupt a programme.

The *Finish/Anti-crease* lamp will light up as confirmation that the tumble dryer has been switched on.

⑤ Door Button

To open the door / to cancel a programme.

Pressing this button will open the door even when the appliance is switched off at the mains.

If the appliance is switched on at the mains and the door is opened the drum lighting will come on. It will go out a few minutes later to save energy.

Notes on laundry care

Care symbols

Before drying check the drying symbol on the care label. If there are no symbols, dry at your own risk!

- ☉ Dry at normal temperature
- ☺ Dry at a low temperature
- ☒ Do not tumble dry

– For delicates and fabrics with the following care label ☺ select *Low temperature*.

Tips on drying

– Always observe the maximum recommended loads given in the "Programme chart". Never overload the drum.

Overloading can cause unnecessary wear and tear to the laundry, give a disappointing drying result and cause more creasing.

- Do not put soaking wet items into the tumble dryer. Spin them thoroughly after washing using the appropriate spin speed.
- Use the *Automatic* programme for drying mixed loads of cottons and minimum iron fabrics.
- Open jackets so that they can dry evenly.
- Woollens and wool blends tend to become matted and shrink if dried in a tumble dryer. They can, however, be partially dried using the *Woollens handcare* programme.

- Down-filled garments have linings which have a tendency to shrink, depending on the quality of the item. They can be partially dried using the *Smoothing* programme.
- Pure linen should only be machine dried if specified as suitable by the manufacturer on the care label, as the surface of the fabric may otherwise become rough. They can be partially dried using the *Smoothing* programme.
- Loopknit garments (e.g. T-shirts and underwear) tend to shrink depending on their quality. Do not over-dry these textiles. When purchasing these garments it is advisable to take their shrinkage properties into account.
- Minimum iron fabrics and 100% cotton shirts or blouses tend to crease more, the greater the load. This is especially true of very fine weaves. Reduce the load or use the *Minimum iron - Hand iron* programme.
- Starched laundry can be dried in the tumble dryer. To achieve the usual finish, double the amount of starch should be used.
- New dark coloured garments should be washed and dried separately from light coloured garments to avoid the danger of colours running and discolouring other garments or even plastic components in the appliance. Dark coloured fibres can also settle on light coloured garments and vice versa.


Brief instructions

The headings numbered (1, 2, 3 ...) show the operating sequence and can be used as a brief guide to using your dryer.

1 Sort the laundry

To ensure an even drying result separate out the washed laundry and sort it according to:

- ... the drying level required
- ... the type of fibre or weave
- ... size
- ... the moisture content after spinning.

 Make sure that objects e.g. detergent dispensing balls have been removed from the laundry. They could melt, and cause damage to the dryer or the laundry.

- Check seams and stitching to ensure that padding and linings are intact.
- Fasten duvet covers and pillow cases to prevent small items from being trapped inside them.
- Fasten hooks and eyes etc.
- Tie fabric belts and apron strings.
- Sew in or remove underwiring from bras.

2 Turn on the tumble dryer

- Switch the dryer on by pressing the *I-On/0-Off* button in.

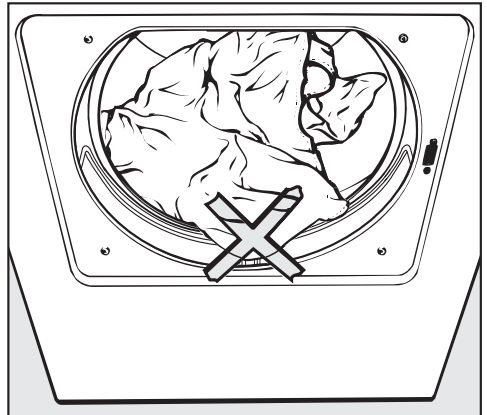
The tumble dryer may be switched on after loading, saving energy as the light will not come on.

3 Load the tumble dryer

- Press the *Door* button to open the door.
- Load the laundry loosely into the drum.

Do not overload the drum. See the "Programme chart" for recommended loads for each programme. Overloading can cause unnecessary wear and tear to the laundry and give a disappointing drying result.

- Before closing the door make sure the fluff filter is correctly positioned.

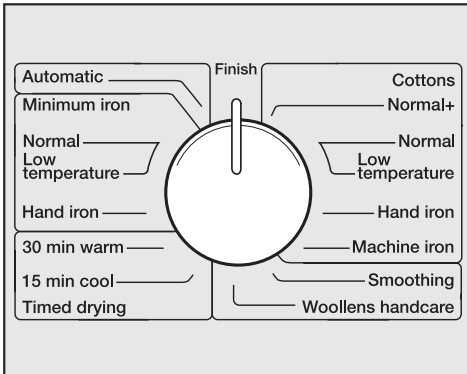


Check the laundry is right inside the drum so that it cannot get trapped or damaged when the door is shut.

- Shut the door either with a gentle swing, or lean against it and push it shut.


How to dry correctly

4 Select a programme



- Turn the programme selector to the required programme.

Low temperature

- For drying particularly sensitive fabrics (care symbol ) e.g. acrylics turn the programme selector to the *Low temperature* position.

Because the heater rating is reduced for the *Low temperature* setting clothes dry more slowly thus lengthening drying times.

5 Start the programme

- Press the *Start* button.

The indicator lamp for the *Start* button will then change from flashing to being on constantly.

The drying cycle begins.

Depending on the programme selected, the drying stage reached is shown by the sequence indicator lamps on the right hand side of the control panel.

Before the end of a programme

The cooling down phase takes place before the end of a programme so that the garments are not too hot to handle (the *Cool air* indicator lamp will come on). The programme is not finished until the cooling down phase is complete. The *Woollens handcare* and *Smoothing* programmes do not include a cooling down phase.

At the end of a programme

The *Finish/Anti-crease* indicator lamp comes on.

The drum will continue to rotate at intervals to prevent laundry creasing, if you do not wish to remove it immediately. The anti-crease phase lasts for an hour. There is no anti-crease phase on the *Woollens handcare* programme.

During the anti-crease phase . . .
. . . (depending on the programme selected) the indicator lamp for the drying stage reached will also light up.
. . . the buzzer will sound at intervals.

6 Remove the laundry

- Press the *Door* button.
- Open the door.
- Remove the laundry.

Check that all items have been removed from the drum. If items are left in the dryer, they could be damaged by overdrying when the dryer is next used.

- Switch the dryer off by pressing the *I-On/O-Off* button.
- Clean the fluff filters.
- Close the door.
- Empty the condensed water container (unless the dryer has been connected for external drainage).
- The condenser unit should be checked and cleaned on a regular basis (see "Cleaning and care").

Changing the programme sequence

Changing a programme once it has started

You cannot change to another programme once a programme has started (this prevents unintentional alterations).

If you try and change a programme the *Finish/Anti-crease* light will start flashing.

You will need to cancel the current programme before you can select a new one.

Cancelling a programme once it has started and then selecting a different programme

- Turn the programme selector to *Finish*.

When the *Anti-crease/Finish* indicator light comes on:


- Select another programme and start it.

Cancelling a programme once it has started and then removing the laundry

- Proceed as described in "Adding or removing laundry after a programme has started" below.
- Switch the dryer off after closing the door.



Adding or removing laundry after a programme has started

- Press the *Door* button.
- Open the door.

 **Danger of burning:**
Do not touch the back of the drum when adding or removing items. The drum and the items can get very hot.

- Add or remove items as required.
- Close the door.
- Press the *Start* button.

Programme chart

Cottons		Max. load: 6 kg*
Normal+, Normal**, Low temperature		
Fabric type	Single and multi-layered cottons fabrics such as towelling, jerseywear, underwear, flannelette bed linen.	
Note	– Select <i>Low temperature</i> for fabrics with the  symbol. Laundry is dried at a lower temperature.	
Hand iron**, Machine iron		
Fabric type	Cottons and linen fabrics, e.g. table linen, bedlinen, starched laundry.	
Note	To prevent laundry from drying out it should be rolled up until you are ready for ironing.	
Minimum iron		Max. load: 3 kg*
Normal**, Low temperature, Hand iron		
Fabric type	Minimum iron items made of cotton, synthetic or blended fabrics, e.g. shirts, blouses, skirts and table cloths.	
Notes	<ul style="list-style-type: none"> – Select <i>Low temperature</i> for fabrics with the  symbol (e.g. acrylic garments). Laundry is dried at a lower temperature. – Select <i>Hand iron</i> for delicate fabrics and to reduce creasing even more, reduce the load to 1.5 kg*. – In the Minimum iron <i>Hand iron</i> programme, items are dried with very little creasing, depending on fabric type and amount of load. 	

* Weight of dry laundry

** Note for test institutes:

Programme setting for testing in accordance with EN 61121

Programme chart

Automatic		Max. load: 3.5 kg*
Fabric type	Mixed load of garments suitable for Cottons and Minimum iron programmes.	
Timed drying		Max. load: 6 kg*
Warm air		
Fabric type	<ul style="list-style-type: none"> – Multi-layered fabrics whose layers have different drying characteristics, e.g. jackets, pillows. – For drying individual items, e.g. bath towels, bathing costumes, tea-towels. 	
Cool air		
Fabric type	Any item which only needs airing.	
Woollens handcare		Max. load: 2 kg*
Fabric type	Woollen fabrics	
Notes	<ul style="list-style-type: none"> – To refresh and fluff up woollen garments quickly. Woollen fabrics are not dried completely by this programme. – Remove garments as soon as the programme has finished and leave to finish drying at room temperature. 	
Smoothing		Max. load: 3 kg*
Fabric type	<ul style="list-style-type: none"> – Cottons and linen fabrics. – Minimum iron mixed fibre, cotton or synthetic items, e.g. trousers, jackets, shirts. 	
Notes	<ul style="list-style-type: none"> – Smooths out creasing caused during the spin cycle in the washing machine. – Fabrics are not completely dried in this programme. Remove garments as soon as the programme has finished and leave to finish drying at room temperature. 	

* Weight of dry laundry

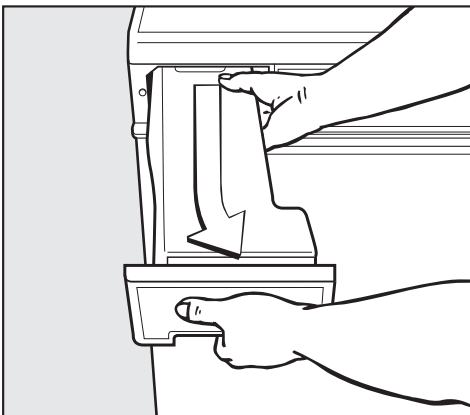
Cleaning and care

Emptying the condensed water container

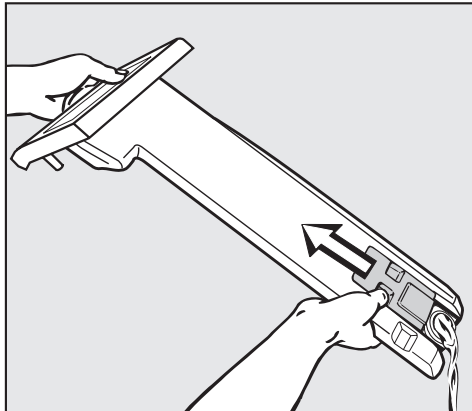
The condensed water will be collected in the condensed water container unless the tumble dryer has been fitted with a drain hose (see installation).

The condensed water container should be emptied **after every drying cycle** or as soon as the *Empty out container* indicator lamp comes on.

The drying programme will be interrupted if the maximum level of the condensed water container is reached. The *Empty out container* indicator lamp comes on and the buzzer sounds.



- Grip the container firmly with both hands, as shown, and pull it out slightly towards the right-hand side.
- Hold the container with both hands and carry it in a horizontal position.



- Open the shutter and empty out the water.
- To replace the container hold it at a slight angle (as when removing it) and push it in gently until you feel it click into position.
- Before starting a new programme, first switch the tumble dryer off and then on again. The *Empty out container* indicator lamp will go out.

Condensed water should not be consumed. It could lead to health problems for people and animals.

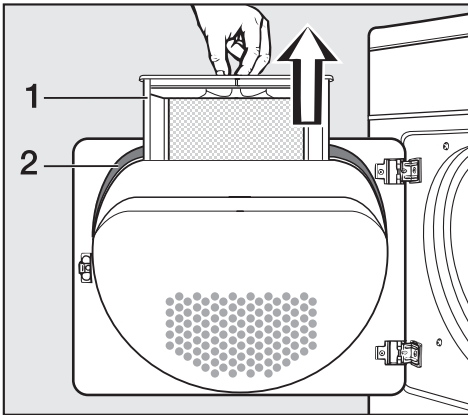
Condensed water can be put to household use (e.g. used in a steam iron or humidifier). To ensure that any residual particles of fluff in the condensed water are removed before use, pass it through a fine sieve or paper filter first.

Cleaning the fluff filters

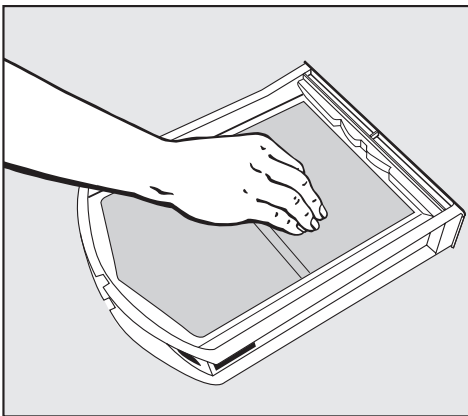
The fluff which is created by the drying process is collected by the fluff filters in the door and the door opening. Clean the filters after **each** drying programme.

Cleaning them whilst dry

Tip: You can also use a vacuum cleaner.

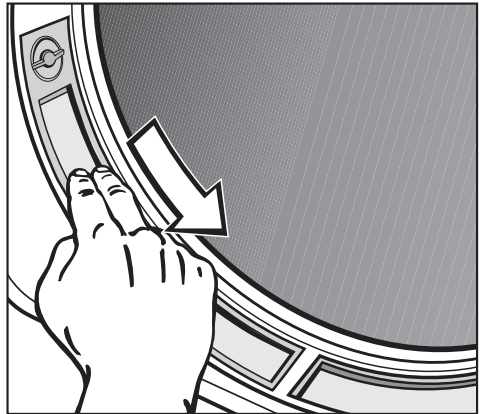


- Open the door and pull the fluff filter (1) out of the door as illustrated.



- Use your fingers to remove the fluff from the surface of the filter.

- Remove any fluff from the hollow part of the door holder. A cleaning brush is available as an optional extra from your Miele dealer or the Miele Spare Parts Department, or use a vacuum cleaner.
- Once clean, push the filter back into the door holder until it clicks into position. Ensure it is facing the correct way.
- Also clean the door seal (2) with a damp cloth.



- Use your fingers to remove the fluff from the two fluff filters in the door opening.
- Close the door.

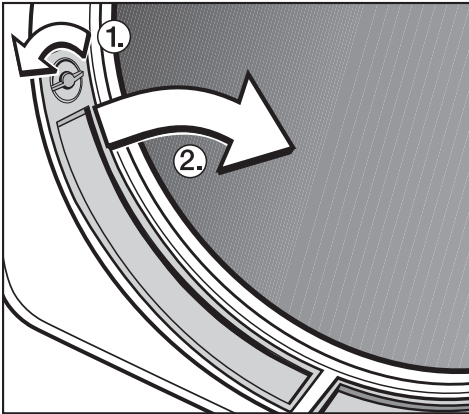
Cleaning and care

Cleaning them with water

If there is a great deal of compacted fluff on any of the filters, they can be removed and cleaned under hot running water.

- Open the door and pull the fluff filter out of the door as described previously.

The two filters in the door opening can also be removed if you need to clean them with water.



- Turn dial ① and pull the filter by the dial out of the door opening as shown ②. Do the same on the other side.
- Rinse all the filters under hot, running water.
- Then shake the filters until no more water droplets are visible.
- Dry the filters thoroughly with care.
- Clean the area underneath these filters, e.g. with a vacuum cleaner.

⚠ Do not replace them if they are damp or wet. Damp or wet filters could cause operational faults.

- Push the large filter back into the door holder until it clicks into position. Ensure it is facing the correct way.
- Replace the filters in the door opening by first inserting them at the bottom and then pressing them into place at the top.
- Lock both dials.

Cleaning the tumble dryer

Disconnect the tumble dryer from the mains electricity supply.

Miele branded cleaning and conditioning products are available to order from your Dealer, the Miele Spare Parts Department or via the internet on www.miele-shop.com.

- Clean the housing and control panel with a slightly damp cloth and a mild detergent or soapy water.
- The drum and other stainless steel parts can be cleaned with a suitable proprietary stainless steel cleaner following the manufacturer's instructions.

Do not use solvents, abrasive cleaners, glass cleaners or all-purpose cleaners. These could damage plastic surfaces and other parts. The tumble dryer must never be hosed down.

- Dry all parts with a soft cloth.

Cleaning and care

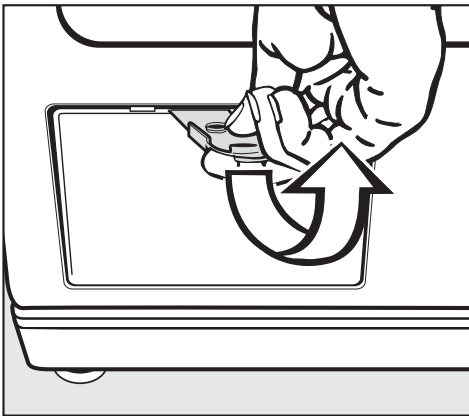
Cleaning the condenser unit

Detergent residue, hair and fine fluff from the dryer can get through the fluff filters and block the condenser unit.

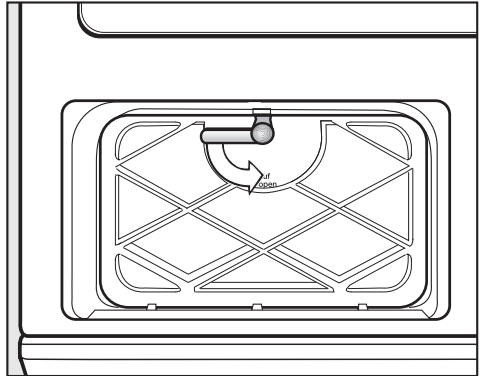
Dust from the room in which the dryer is installed can also get into the condenser unit and cause a blockage.

Check the condenser unit at least twice a year. If the dryer is used frequently then clean the condenser unit after approx. 100 drying cycles.

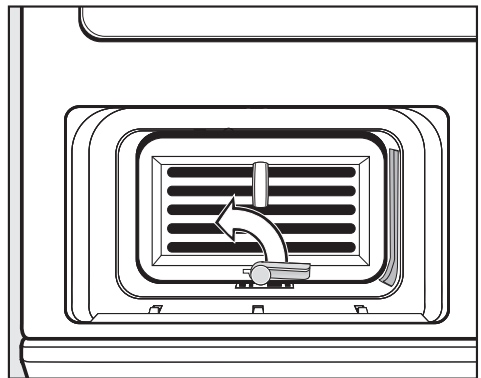
Removing the condenser unit



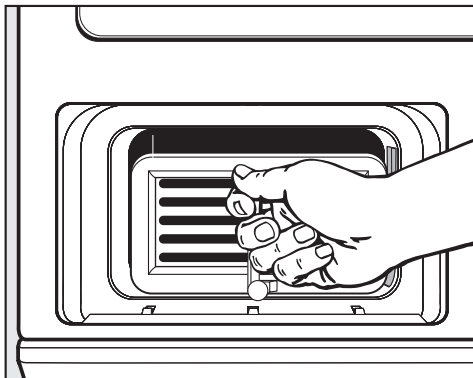
- Open the service panel. The hooks at the side will prevent the panel from falling off.
- Now remove the panel by pulling it diagonally upwards.
- Then place it to one side.



- Turn the lever on the inner cover downwards to the vertical position.
- Pull the cover forwards
- Then remove it by pulling it diagonally upwards.

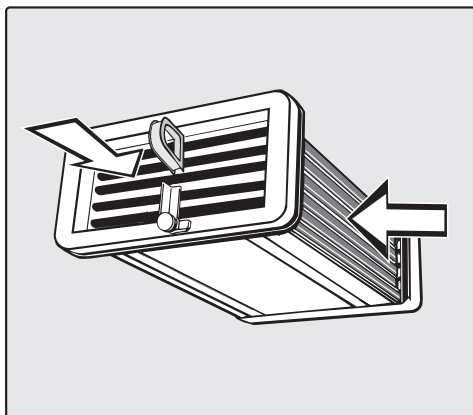


- Turn the lever on the condenser unit to the vertical position.



- Pull the condenser unit out of its housing by the handle.

Checking the condenser unit



- Hold the condenser unit up to the light **as shown**.
- Check to see if there is any fluff inside it.
The arrows in the illustration above indicate where to look.

If you cannot see any fluff:

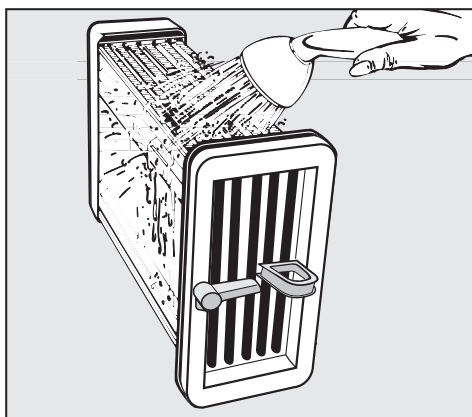
- Replace the condenser unit (see following page).

If you can see some fluff:

- Clean the condenser unit as described below.

Cleaning the condenser unit

- **When rinsing the condenser unit, make sure you position it as shown in the next two illustrations.**



- Use a shower head or similar to rinse the unit out **as shown**.

Cleaning and care



- Then flush the unit through from the front.
- Check the condenser unit again for any visible fluff and if necessary flush it through again until it has all gone.
- Remove any soiling still visible inside the housing unit by hand using a damp cloth. Do not try and access areas you cannot reach by hand!
- Also make sure the rubber seals are clean.


The rubber seals must not be removed and must be free of kinks.

Replacing the condenser unit

- With the handle facing upwards, push the condenser unit back into position in its housing.
- Turn the lever down to the horizontal position, making sure that the hook on the lever clicks into the groove.


When replacing the inner cover after cleaning, ensure that the rubber seal fits correctly into the groove.

- Replace the inner cover making sure the hooks locate correctly. Hold it at an angle and push it gently downwards.
- Then turn the lever upwards into the horizontal position to lock the cover.
- Replace the service panel and press the upper edge until it clicks into position.

 It is important to ensure that both the condenser unit and the cover are correctly positioned and locked otherwise water may leak from the dryer.

Problem solving guide

With the help of the following notes minor faults in the performance of the appliance, some of which may result from incorrect operation, can be put right without contacting the Service Department.

 Repair work to electrical appliances should only be carried out by a suitably qualified person in strict accordance with current local and national safety regulations. Repairs and other work by unqualified persons could be dangerous. The manufacturer cannot be held liable for unauthorised work.

General problems

Problem	Possible cause	Remedy
The tumble dryer fails to start when switched on.	No obvious cause.	<ul style="list-style-type: none">– Have you followed the switch-on procedure correctly (see “How to dry correctly”)?– Is the plug correctly inserted in the socket and switched on?– Is the door closed properly?– Has the fuse or circuit breaker tripped?
Items made of synthetic fibres are charged with static electricity after drying.	Synthetic fibres tend to attract static charge.	Static charge can be reduced by adding a fabric conditioner to the final rinse in the washing machine or a fabric conditioner sheet to the load in the dryer.

Problem solving guide

Problem	Possible cause	Remedy
There is a build-up of fluff.	Fluff is principally the result of friction when garments are being worn and washed. Machine drying hardly causes any fluff to form and has been established by research institutes to have no appreciable effect on the lifetime of fabric.	Fluff is collected by the fluff filters and can be easily removed (see "Cleaning and care").
The laundry is not sufficiently dry.	The load consisted of different fabrics.	<ul style="list-style-type: none"> – Finish drying using the Warm air programme. – Select a more suitable drying programme next time (see "Programme chart").
Water leaks from the tumble dryer after the condenser unit has been cleaned.	<ul style="list-style-type: none"> – The inner cover of the condenser unit has not been locked properly and/or the condenser unit has not been positioned correctly. – Fluff has collected in the condenser unit housing. 	<ul style="list-style-type: none"> – Ensure that the condenser unit is positioned correctly and lock the inner cover. – Check the rubber seals. – Use a cloth to remove any visible fluff from the inside of the condenser unit housing.
The interior drum lighting does not come on.	The lighting switches off automatically (to save energy).	Switch the dryer off and then on again.
	The lamp needs changing.	Change the lamp as described at the end of this section.

Problem solving guide

Problem	Possible cause	Remedy
Drying is taking too long, or the programme has been cancelled	The dryer is not working efficiently or economically*. The most likely cause is a build-up of fluff, hair or detergent residue on the fluff filters.	<ul style="list-style-type: none"> – Remove any fluff, hair or residual detergents. – Rinse the filters if necessary and then dry them thoroughly before replacing them. If not thoroughly dry faults will occur. – If the above measures do not remedy the problem follow the advice below.
	Ventilation to and from the dryer may be insufficient (e.g because it is installed in a small room). This has caused the temperature in the room to rise sharply.	<ul style="list-style-type: none"> – Open a door or window while the tumble dryer is in operation for increased air flow.
	The vents below the door are blocked.	<ul style="list-style-type: none"> – Remove any objects that are blocking the vents.
	Detergent residues, hair and fine fibres can block the condenser unit.	<ul style="list-style-type: none"> – Check the condenser unit from time to time and clean it if necessary (see "Cleaning and Care").
	The laundry has not been spun sufficiently.	<ul style="list-style-type: none"> – Make sure that your laundry is thoroughly spun at the appropriate spin speed.
	The tumble dryer has been overloaded.	<ul style="list-style-type: none"> – Do not exceed the maximum load for the programme selected.
	Metallic components, e.g. zips have prevented the dryer from registering the correct moisture level in the laundry.	<ul style="list-style-type: none"> – Open zips next time. – If the problem occurs again, dry garments with long zips using "Warm air" (timed drying).

*** Before attempting to remedy the problem:**

- Open and close the door.
- Switch the dryer off and then on again to start a programme.

Problem solving guide

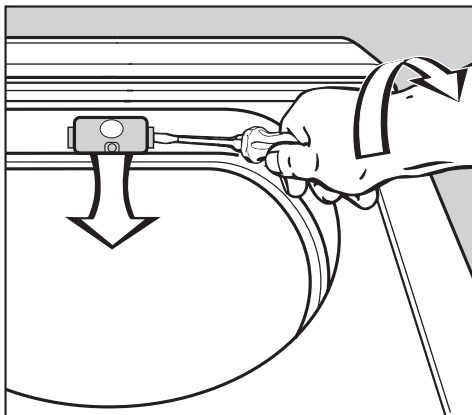
Check and fault messages		
Problem	Possible cause	Remedy
The <i>Empty out container</i> indicator lamp comes on.	The condensed water container is full or there is kink in the drain hose.	<ul style="list-style-type: none"> – Empty out the condensed water container. – Check the drain hose. – The indicator lamp will go out if you switch the dryer off and then back on again.
The programme stops and the <i>Machine iron</i> or <i>Hand iron</i> indicator lamp flashes. The buzzer sounds.	No obvious cause.	<ul style="list-style-type: none"> – Switch the dryer off and then on again. – Then start the programme again. <p>If the programme stops again and the indicator lamp flashes again there is a fault. Contact the Miele Service Department.</p>
The <i>Finish/Anti-crease</i> indicator lamp flashes while drying is in progress.	The programme selector was moved after the start of a programme. The programme continues to run as normal.	Turn the selector back to the original position and the indicator lamp will go out.
The programme stops and the <i>Finish/Anti-crease</i> indicator lamp comes on. The buzzer sounds.	This is not a fault. The electronic unit has recognised that there is no laundry in the drum and cancelled the programme. Drying individual garments or items which are already dry can also cause the programme to be cancelled.	Use the Warm air programme (timed drying) to dry individual items. Before changing a programme: Open and close the door.
The <i>Cool air</i> indicator lamp comes on and a continuous alarm sounds.	The dryer is not working efficiently or economically.	See the previous page under "Drying is taking too long ...".

Changing the lamp

Disconnect the tumble dryer from the mains electricity supply.

- Open the door.

You will find the interior lamp cover at the top of the drum aperture.



- Insert a suitable tool, such as a wide bladed screwdriver, under the side edge of the lamp cover as illustrated.
- Apply a little pressure and whilst doing so turn your wrist in the direction of the arrow to open the cover.

The cover will open downwards.

The temperature resistant lamp should only be ordered from your Miele Dealer or the Miele Spare Parts Department.

The lamp specification and maximum wattage is stated on the data plate and on the lamp cover.

- Replace the lamp.
- To close the cover push it upwards and press it on the left and right until you hear it click into position.

⚠ Ensure that it is fitted into position securely, as any moisture could cause a short circuit.

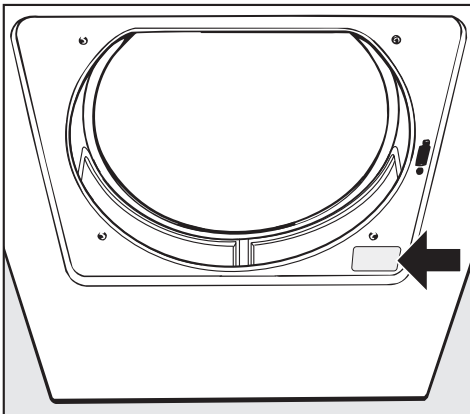
After Sales service

In the event of any faults which you cannot remedy yourself, please contact

- your Miele dealer or
- the Miele Service Department (see back cover for contact details).

N.B. A call-out charge will be applied for unnecessary service visits where the problem could have been rectified by the customer as described in this instruction manual.

When contacting your dealer or the Service Department, please quote the model and serial number of your appliance, both of which are shown on the data plate situated on the right hand side below the drum aperture.



Future updates (PC)

The indicator or check light marked **PC** on the fascia panel is the interface used by the Miele service technicians during service work for testing purposes and for updating the appliance's programme data.

Appliance guarantee

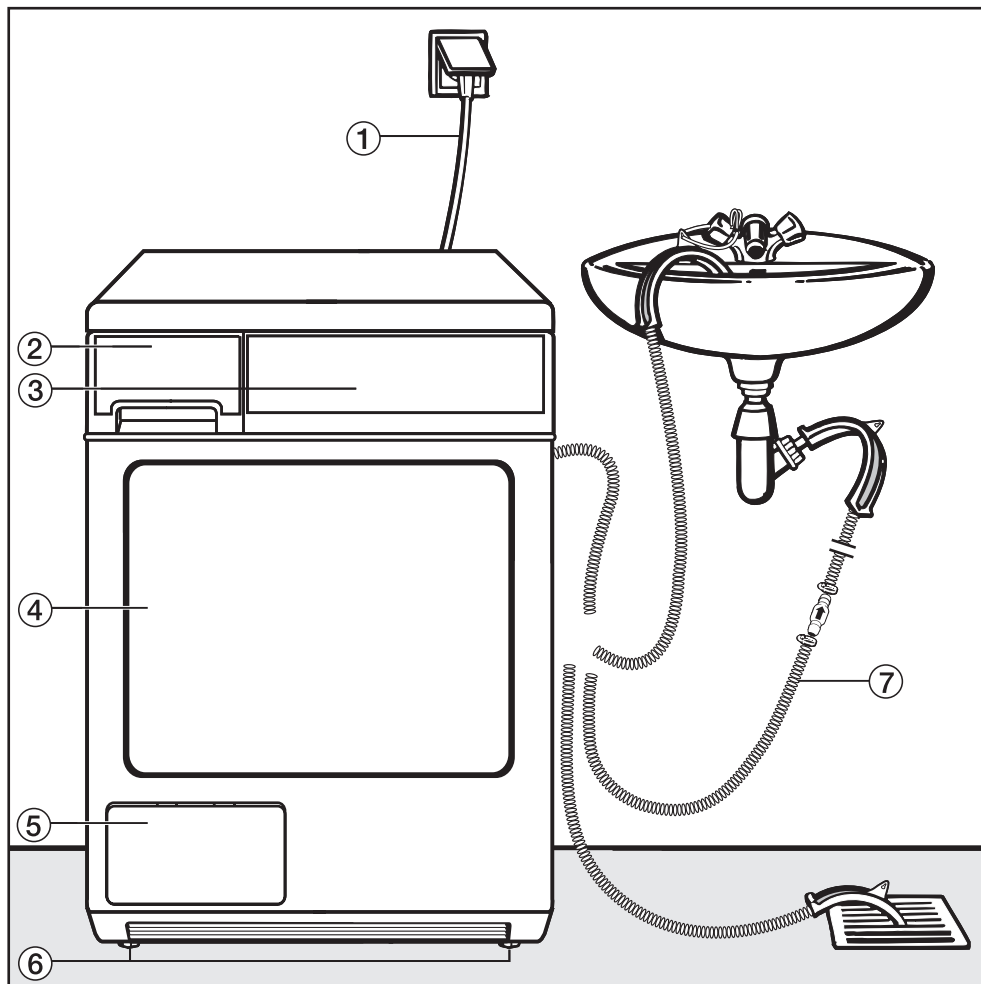
Please see the guarantee card supplied with your appliance.

Optional accessories

Optional accessories for this dryer are available from your Miele Dealer, the Miele Spare Parts Department or via the internet at www.miele-shop.com.

Please note that telephone calls may be monitored and recorded for training purposes.

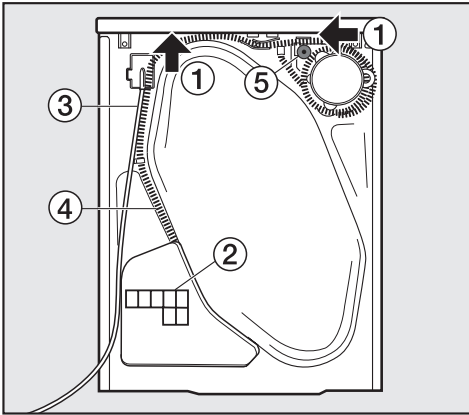
Front view



- ① Mains connection cable
- ② Condensed water container
- ③ Control panel
- ④ Door
- ⑤ Service panel for condenser unit
- ⑥ Four height-adjustable screw feet
- ⑦ External drainage options (e.g. via wash basin, wash basin drain outlet, or gully).


Installation

Rear view



- ① Protruding lid for holding when moving the appliance (see arrows)
- ② Air inlet vent for cooling the condenser unit
- ③ Mains connection cable
- ④ External drainage of the condensed water
- ⑤ Accessories for connection to a sink drain outlet


Installation site

 Make sure the dryer door can be opened without hindrance after installation.

Transporting the tumble dryer to its installation site

When moving the appliance, you can hold it by the lid where it protrudes to the rear of the dryer. To manoeuvre the dryer out of its packing case to its installation site you will also need to hold it by the front feet. Do not lift the appliance by the drum door.

Building under a continuous worktop / in a kitchen run

 A **building-under kit*** with a coverplate to replace the appliance lid is required. It must be fitted by a suitably qualified person to ensure electrical safety.

N.B. If you wish to push your appliance under a worktop and there is space to do this **without removing the lid** the building under kit is not necessary. Otherwise the building under kit is essential.

- The building-under kit is supplied with its own installation instructions.
- N.B. When built under drying times may be longer.
- The electrical socket must be located in an accessible position near the tumble dryer.

With niche heights of:

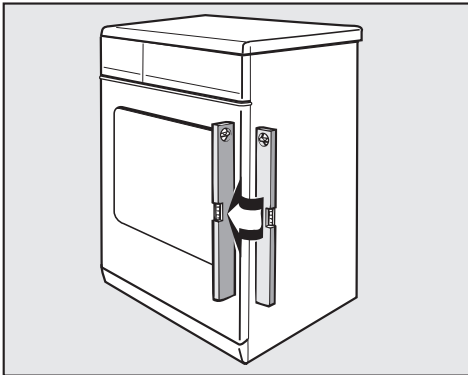
- 830-840 mm, longer screw feet* are required.
- 870-885 / 915-930 mm, one or two raising kits* are required.

* accessory available to order.

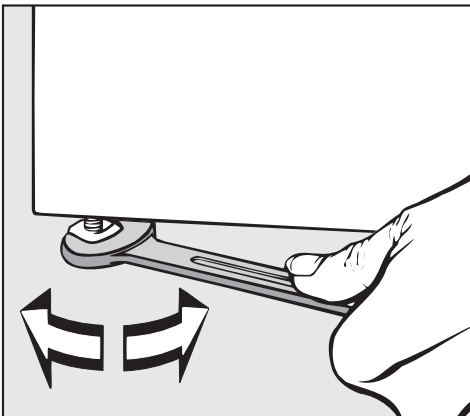
Replacing the lid

If the lid has been removed in order to fit a coverplate, ensure that, if the lid is ever replaced, it fits securely into the rear holders. Otherwise, it is not properly secure for transport.


Levelling the tumble dryer



The appliance must be perfectly level to ensure safe and proper operation.



- The screw feet can be adjusted to compensate for any unevenness in the floor.


 The air inlet and outlet vents on the front of the tumble dryer must not be covered as this would prevent sufficient ventilation for cooling the condenser unit.

Room in which the dryer is located

Air taken in for use in the drying process will be warm when it is expelled from the front of the dryer. This expelled air heats up the air in the room. It is therefore very important to ensure that the room is adequately ventilated, particularly if the dryer is located in a small room. Otherwise running times and energy consumption could be increased.

Washer-dryer stack

The tumble dryer can also be combined with a Miele washing machine in a washer-dryer stack. The appropriate "WTV" stacking kit (available to order) to match your dryer is required.

 Stacking kits must only be installed by a suitably qualified fitter.

Before moving the tumble dryer again (e.g. when moving house)

After each use a small quantity of condensed water will collect in the area around the pump. This water can run out if the tumble dryer is tipped up when it is being moved. It is a good idea to run the *Cool air* programme for approximately 1 minute before moving the tumble dryer. Any remaining condensed water will then be fed into the condensed water container or out through the drain hose.

Installation

External condensed water outlet

General notes

When drying is in progress, condensed water is pumped into the condensed water container through the drain hose at the back of the dryer. The condensed water can also be drained off directly if the tumble dryer is installed near a sink, drain outlet etc. so that the condensed water container does not have to be emptied.

Drain hose length 1.50 m

Maximum delivery head 1.50 m

Maximum drain hose length 4.00 m

⚠ If the on-site water drainage system is not fitted with a non-return valve or an appropriate air gap, one must be fitted to prevent the risk of back-flow. (See "Installation conditions requiring a non-return valve").

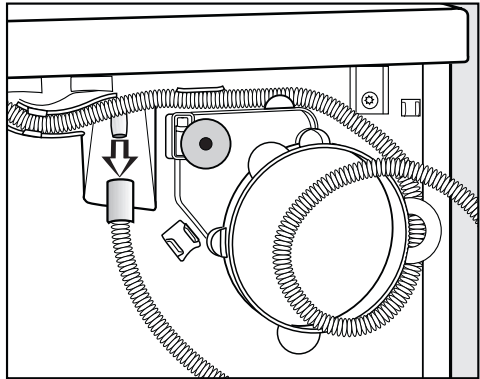
The following optional accessories are available:

- an extension hose
- a non-return valve kit for connection to an external condensed water outlet (includes an extension hose).
Maximum delivery head with non-return valve fitted: 1.00 m

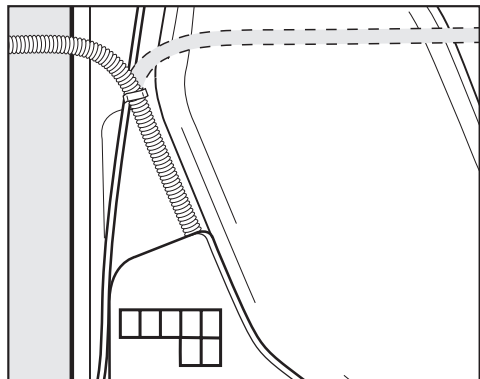
Arranging the drain hose

⚠ Do not pull on the drain hose and do not stretch it or allow it to become kinked as it could get damaged.

- There will be a small amount of residual water in the drain hose. Have a container ready to collect this.



- Pull the hose off its connection (see arrow).
- Allow any residual water to run into the container.
- Unwind the hose and pull it carefully out of the holders.




- Position the hose to the right or left hand side as necessary.

Leave the hose in the middle holder to prevent it from becoming kinked inadvertently.


External drainage via a sink or gully

- See "Front view" illustration.

 If you want to drain the water off into a sink you will need to secure the hose carefully, e.g. by tying it to a tap to make sure it cannot slip during use. Otherwise there is a risk of overflowing water which could cause damage.

- Use the bow-shaped guide to prevent the drain hose from becoming kinked.

Installation conditions requiring a non-return valve

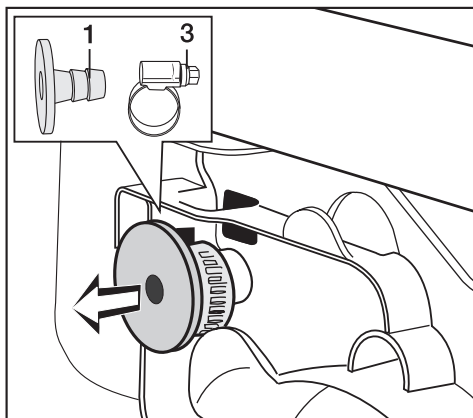
 Certain installation conditions require the fitting of a non-return valve (available as an optional accessory). A non-return valve will prevent the risk of back-flow out of the dryer which could cause damage.

A non-return valve is required:

- If the tumble dryer is connected to a sink drain outlet (see the following section).
- If the tumble dryer is connected to a drainage system **already in use** by another appliance, e.g. a dishwasher or washing machine.

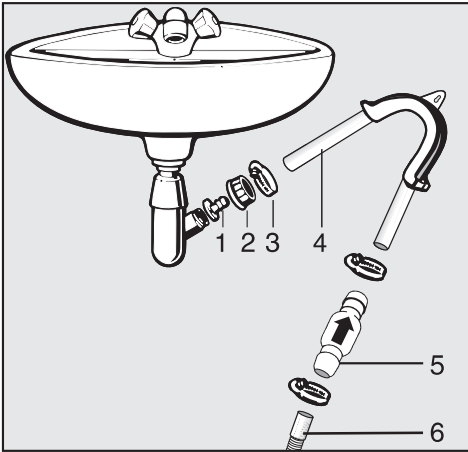
Example: Connection to a sink drain outlet

The drain hose with non-return valve fitted can be connected directly to a suitable sink drain outlet.




- Remove the following from the back of the dryer at the top:
Adapter **1** and hose clip **3** behind it.

Installation



- 1 Adapter
- 2 Nut
- 3 Hose clip
- 4 End of the hose
- 5 Non-return valve
- 6 Tumble dryer drain hose

- Fit adapter **1** to the sink drain outlet using nut **2**.
If this nut has a flat disc in it you should take the disc out first.
- Attach the end of the hose **4** to adapter **1**.
- Use a screwdriver to tighten hose clip **3** up close to the nut.

 Non-return valve **5** has to be fitted with the arrow pointing in the direction of flow (i.e. towards the sink). Otherwise water will not drain out of the appliance.

- Fit non-return valve **5** to the tumble dryer drain hose **6** (make sure it is fitted in the correct direction (see arrow on non-return valve).
- Secure the non-return valve using hose clips.

Electrical connection U.K.

All electrical work should be carried out by a suitably qualified and competent person, in strict accordance with current national and local safety regulations (BS 7671 in the UK).

Ensure power is not supplied to the appliance until after installation work has been carried out.

The appliance is supplied with a mains cable with moulded plug ready for connection to a 230-240V mains supply. Please ensure the connection data quoted on the data plate match the household mains supply.

Connection should be made via a suitable switched socket which is easily accessible after installation.

For extra safety it is advisable to install a suitable residual current device (RCD). Contact a qualified electrician for advice.

Do not connect via an extension lead. Extension leads do not guarantee the required safety of the appliance (e.g. danger of overheating).

Non-rewireable plugs BS 1363

The fuse cover must be refitted when changing the fuse, and if the fuse cover is lost, the plug must not be used until a suitable replacement is obtained. The colour of the correct replacement cover is that of the coloured insert in the base of the plug, or the colour that is embossed in words on the base of the plug (as applicable to the design of plug fitted).

Replacement fuses should be ASTA approved to BS 1362 and have the correct rating. Replacement fuses and fuse covers may be purchased from your local electrical supplier.

**WARNING: THIS APPLIANCE
MUST BE EARTHED**

Consumption data

Programme	Load	Final spin speed in a domestic washing machine	Energy	Time
	kg*			
Cottons Normal	6.0	1000 (60 % residual moisture)**	3.30	89
		1200	3.00	81
		1400	2.85	78
		1600	2.55	70
		1800	2.50	69
Cottons Hand iron	6.0	1000 (60 % residual moisture)**	2.65	71
		1200	2.35	63
		1400	2.20	60
		1600	1.85	52
		1800	1.80	51
Minimum iron Normal	3.0	1200 (40 % residual moisture)**	1.20	37
Minimum iron Hand iron	3.0	1200	1.00	32
Automatic	3.5	800	2.10	85
Woollens handcare	2.0	1000	0.15	4
Smoothing	3.0	1000	0.30	8

* Weight of dry laundry

** EN 61121:2005 test programme

All data without a "star" against it was calculated using EN 61121:2005.

Before testing in accordance with EN 61121, dry a 3 kg load of cotton laundry with 70% residual moisture as per the above standard using the Cottons Normal programme.

Consumption data can vary from the nominal values given above depending on the size of the load, type of textiles, residual moisture levels after spinning and fluctuations in the electricity supply.

Technical data

Height	850 mm
Height for building under	820 mm
Width	595 mm
Depth	580 mm
Depth with door open	1060 mm
Suitable for pushing under a worktop	Yes
Suitable for stacking	Yes
Weight	51 kg
Drum volume	111 litres
Maximum capacity	6 kg dry weight
Capacity of condensed water container	approx. 3.5 litres
Drain hose length	1.5 m
Maximum delivery head	1.5 m
Maximum drain hose length	4 m
Length of connection cable	2 m
Voltage	see data plate
Connected load	see data plate
Fuse rating	see data plate / plug
Lamp wattage	see data plate
Energy consumption	see "Consumption data"
Test certificates awarded	see data plate

Programmable functions for changing default settings

The programmable functions are used to alter the tumble dryer's electronics to suit changing requirements.
Programmable functions can be altered at any time.

Programmable functions

Altering the residual moisture level in the Cottons programmes

The tumble dryer is designed to dry effectively using as little energy as possible.

However, if you require the laundry to be drier, it is possible to reduce the default residual moisture level in the Cottons programmes.

Please note that programme durations will be longer if this option is activated.

Follow steps ① to ⑦ to programme and store in memory.

Before you begin, first ensure that:

- The tumble dryer is switched off.
- The door is closed.
- The programme selector is at *Finish*.

- ① Press the *Start* button and keep it pressed in whilst carrying out steps ②-③.
- ② Switch the dryer on with the *I-On/O-Off* button.
- ③ Wait until the *Start* indicator lamp lights up constantly . . .
- ④ . . . and then release the *Start* button.
- ⑤ Turn the programme selector to the *Cottons Normal* position.

- ⑥ Pressing the *Start* button switches between activating and deactivating the drier setting.

- If the *Drying* indicator lamp is flashing: the **drier setting is activated**
- If the *Drying* indicator lamp is not flashing, the **drier setting is not activated** and the residual moisture level is on the standard default setting.

Whilst doing this, the *Cool air* indicator lamp will flash twice.

- ⑦ Switch the appliance off with the *I-On/O-Off* button.

The setting you have selected is now stored in memory. You can change it again at any time.

To check:

- Make sure the dryer is switched off, the door is closed and the programme selector is at *Finish* and then carry out steps ① to ⑤.

The *Drying* indicator lamp will show you if the drier setting has been selected.

- Switch off the dryer.

The check is complete.

Altering the residual moisture level in the Minimum iron programmes

The tumble dryer is designed to dry effectively using as little energy as possible.

However, if you require the laundry to be drier, it is possible to reduce the default residual moisture level in the Minimum iron programmes.

Please note that programme durations will be longer if this option is activated.

Follow steps ① to ⑦ to programme and store in memory.

Before you begin, first ensure that:

- The tumble dryer is switched off.
- The door is closed.
- The programme selector is at *Finish*.

- ① Press the *Start* button and keep it pressed in whilst carrying out steps ②-③.
- ② Switch the dryer on with the *I-On/O-Off* button.
- ③ Wait until the *Start* indicator lamp lights up constantly . . .
- ④ . . . and then release the *Start* button.
- ⑤ Turn the programme selector to the *Cottons Low temperature* position.

- ⑥ Pressing the *Start* button switches between activating and deactivating the drier setting.

- If the *Drying* indicator lamp is flashing, the **drier setting is activated**
- If the *Drying* indicator lamp is not flashing, the **drier setting is not activated** and the residual moisture level is on the standard default setting.

Whilst doing this, the *Cool air* indicator lamp will flash three times.

- ⑦ Switch the appliance off with the *I-On/O-Off* button.

The setting you have selected is now stored in memory. You can change it again at any time.

To check:

- Make sure the dryer is switched off, the door is closed and the programme selector is at *Finish* and then carry out steps ① to ⑤.

The *Drying* indicator lamp will show you if the drier setting has been selected.

- Switch off the dryer.

The check is complete.

Programmable functions

Activating and deactivating the buzzer

A buzzer sounds (at intervals for a maximum of 1 hr) to let you know the programme has finished.

The tumble dryer is delivered with the buzzer activated but you can deactivate it if wished.

The buzzer will still sound if there is a fault, even if it has been deactivated.

Follow steps ① to ⑦ to programme and store in memory.

Before you begin, first ensure that:

- The tumble dryer is switched off.
- The door is closed.
- The programme selector is at *Finish*.

- ① Press the *Start* button and keep it pressed in whilst carrying out steps ②–③.
- ② Switch the dryer on with the *I-On/O-Off* button.
- ③ Wait until the *Start* indicator lamp lights up constantly . . .
- ④ . . . and then release the *Start* button.
- ⑤ Turn the programme selector to the *Cottons Hand iron* position.

- ⑥ Pressing the *Start* button switches between activating and deactivating the buzzer.

- If the *Drying* indicator lamp is not flashing:

the buzzer is deactivated

- If the *Drying* indicator lamp is flashing:

the buzzer is activated

Whilst doing this, the *Cool air* indicator lamp will flash four times.

- ⑦ Switch the appliance off with the *I-On/O-Off* button.

The setting you have selected is now stored in memory. You can change it again at any time.

To check:

- Make sure the dryer is switched off, the door is closed and the programme selector is at *Finish* and then carry out steps ① to ⑤.

The *Drying* indicator lamp will show you if the buzzer is activated.

- Switch off the dryer.

The check is complete.

Extending the cooling down time

The cooling down phase which takes place before the end of a programme can be lengthened if required. This makes the garments easier to handle.

The dryer is delivered with the extended cooling down time option deactivated. You can extend the cooling down time by 5 minutes or 10 minutes.

The option of extending the cooling down time is available with the *Cottons*, *Minimum iron* and *Automatic* programmes.

Follow steps ① to ⑦ to programme and store in memory.

Before you begin, first ensure that:

- The tumble dryer is switched off.
- The door is closed.
- The programme selector is at *Finish*.

- ① Press the *Start* button and keep it pressed in whilst carrying out steps ②-③.
- ② Switch the dryer on with the *I-On/O-Off* button.
- ③ Wait until the *Start* indicator lamp lights up constantly . . .
- ④ . . . and then release the *Start* button.
- ⑤ Turn the programme selector to the *Cottons Machine iron* position.

- ⑥ Pressing the *Start* button alters the cooling down time.

- If the *Drying* indicator lamp flashes once:
The cooling down time will be five minutes longer.
- If the *Drying* indicator lamp flashes twice:
The cooling down time will be ten minutes longer.
- If the *Drying* indicator lamp is not flashing:
The cooling down time is not extended.

Whilst doing this, the *Cool air* indicator lamp will flash five times.

- ⑦ Switch the appliance off with the *I-On/O-Off* button.

The setting you have selected is now stored in memory. You can change it again at any time.

To check:

- Make sure the dryer is switched off, the door is closed and the programme selector is at *Finish* and then carry out steps ① to ⑤.

The *Drying* indicator lamp will show you if the cooling down time has been extended.

- Switch off the dryer.

The check is complete.

Programmable functions

Anti-crease

If laundry is not removed as soon as the programme has finished, the drum will continue to rotate at intervals for one hour to prevent creasing.

The anti-crease function

- is activated when the tumble dryer is delivered. You can deactivate it if wished.
- is present on all programmes except *Woollens handcare*.
- should be left activated, if laundry is not normally removed immediately after the end of a programme.

Follow steps ① to ⑦ to programme and store in memory.

Before you begin, first ensure that:

- The tumble dryer is switched off.
- The door is closed.
- The programme selector is at *Finish*.

- ① Press the *Start* button and keep it pressed in whilst carrying out steps ②–③.
- ② Switch the dryer on with the *I-On/O-Off* button.
- ③ Wait until the *Start* indicator lamp lights up constantly . . .
- ④ . . . and then release the *Start* button.
- ⑤ Turn the programme selector to the *Minimum iron Low temperature* position.

- ⑥ Pressing the *Start* button switches between activating and deactivating this setting.

- If the *Drying* indicator lamp is not flashing:

Anti-crease is deactivated

- If the *Drying* indicator lamp is flashing:

Anti-crease is activated

(Factory default setting)

Whilst doing this the *Cool air* indicator lamp will flash on and off, alternating with 1 long and 1 short flash.

- ⑦ Switch the appliance off with the *I-On/O-Off* button.

The setting you have selected is now stored in memory. You can change it again at any time.

To check:

- Make sure the dryer is switched off, the door is closed and the programme selector is at *Finish* and then carry out steps ① to ⑤.

The *Drying* indicator lamp will show you which setting has been programmed.

- Switch the dryer off.

The check is complete.

Changing the standard drying level in the Minimum iron - Normal programme

The drying level for this programme is set at a standard level. You have the option of changing this to an increased drying level.

The tumble dryer is delivered with the drying level set at *Normal*

You can change this to *Normal+* (drier than the standard drying level).

Important: the "Normal+" drying level will work in addition to the "Altering the residual moisture level in the *Minimum iron programmes*" programmable function, if you have already set this.

Follow steps ① to ⑦ to programme and store in memory.

Before you begin, first ensure that:

- The tumble dryer is switched off.
- The door is closed.
- The programme selector is at *Finish*.

- ① Press the *Start* button and keep it pressed in whilst carrying out steps ②-③.
- ② Switch the dryer on with the *I-On/O-Off* button.
- ③ Wait until the *Start* indicator lamp lights up constantly . . .
- ④ . . . and then release the *Start* button.
- ⑤ Turn the programme selector to *Minimum iron - Normal*.

- ⑥ Pressing the *Start* button alters the drying level.

- If the *Drying* indicator lamp is flashing:

the standard drying level is *Normal+*

- If the *Drying* indicator lamp is not flashing, the **increased drying level is not activated** and the drying level will remain on the standard setting (*Normal*).

Whilst doing this, the *Cool air* indicator lamp will flash on and off, alternating with 1 long flash and 2 short flashes.

- ⑦ Switch the appliance off with the *I-On/O-Off* button.

The setting you have selected is now stored in memory. You can change it again at any time.

To check:

- Make sure the dryer is switched off, the door is closed and the programme selector is at *Finish* and then carry out steps ① to ⑤.

The *Drying* indicator lamp will show you if the *Normal+* drying level has been set.

- Switch off the dryer.

The check is complete.

Programmable functions

Changing the standard drying level in the Automatic programme

The drying level for this programme is set at a standard level. You have the option of changing this to an increased drying level.

The dryer is delivered with the drying level set at *Normal*

You can change this to *Hand iron* (damper) or *Normal+* (drier than the standard drying level).

Follow steps ① to ⑦ to programme and store in memory.

Before you begin, first ensure that:

- The tumble dryer is switched off.
- The door is closed.
- The programme selector is at *Finish*.

- ① Press the *Start* button and keep it pressed in whilst carrying out steps ②–③.
- ② Switch the dryer on with the *I-On/O-Off* button.
- ③ Wait until the *Start* indicator lamp lights up constantly . . .
- ④ . . . and then release the *Start* button.
- ⑤ Turn the programme selector to the *Automatic* position.

⑥ Pressing the *Start* button alters the drying level.

- If the *Drying* indicator lamp flashes twice:

the standard drying level is *Normal+*

- If the *Drying* indicator lamp is not flashing:

the standard drying level is *Hand iron*

- If the *Drying* indicator lamp flashes once, the **drying level has not been changed and** will remain on the standard setting (*Normal*).

Whilst doing this, the *Cool air* indicator lamp will flash on and off, alternating with 1 long flash and 3 short flashes.

⑦ Switch the appliance off with the *I-On/O-Off* button.

The setting you have selected is now stored in memory. You can change it again at any time.

To check:

- Make sure the dryer is switched off, the door is closed and the programme selector is at *Finish* and then carry out steps ① to ⑤.

The *Drying* indicator lamp will show you if the drying level has been changed.

- Switch off the dryer.

The check is complete.



United Kingdom

Miele Co. Ltd.
Fairacres, Marcham Road
Abingdon, Oxon, OX14 1TW
Tel: (01235) 554455
Fax: (01235) 554477
Customer Contact Centre Tel: (08707) 554466
E-mail: info@miele.co.uk
Internet: www.miele.co.uk

Australia

Miele Australia Pty. Ltd.
A.C.N. 005635398
1 Gilbert Park Drive, Knoxfield, VIC 3180
Tel: (03) 9764 7130
Fax: (03) 9764 7149
Internet: www.miele.com.au

China

Miele Shanghai Rep. Office
Room 4105 - 6, 41 Floor
Plaza 66, 1266 Nan-Jing Road/ West
Shanghai 200040
Tel: +86 21 6288 4200
Fax: +86 21 6288 4100
E-mail: mieleshanghai@cn.miele.com
Internet: www.miele.cn

Hong Kong

Miele (Hong Kong) Limited
AIA Plaza, 24 Floor
18 Hysan Avenue
Causeway Bay
Tel: +852- 2610-1331
Fax: +852-2610-1013
E-mail: mielehk@miele.com.hk
Internet: www.miele.hk

Ireland

Miele Ireland Ltd.
Broomhill Road, Tallaght, Dublin 24
Tel: (01) 461 0710
Fax: (01) 461 07 97
E-Mail: info@miele.ie
Internet: www.miele.ie

New Zealand

Miele New Zealand Limited
Unit L, 10-20 Sylvia Park Road
Mt. Wellington, 1060, Auckland, NZ
Tel: 0800 264353
Fax: 0800 463453
Internet: www.miele.co.nz

South Africa

Miele (Pty) Ltd
63 Peter Place, Bryanston 2194
P.O. Box 69434, Bryanston 2021
Tel: +27 (0) 11 548-1900
Fax: +27 (0) 11 548-1935
E-mail: info@miele.co.za
Internet: www.miele.co.za

Singapore

Miele Southeast Asia
Miele Pte. Ltd.
163 Penang Road
04 - 02/03 Winsland House II
Singapore 238463
Tel: +65 6735 1191
Fax: +65 6735 1161
E-Mail: infosea@miele.com.sg
Internet: www.miele.sg

United Arab Emirates

Miele Appliances Ltd.
P.O. Box 11 47 82
Gold & Diamond Park
Sheikh Zayed Road
Building 6 / Offices Nos. 6-214 to 6-220
Dubai
Tel: +971-4-341 84 44
Fax: +971-4-341 88 52
E-Mail: info@miele.ae
Internet: www.miele.ae



Free Manuals Download Website

<http://myh66.com>

<http://usermanuals.us>

<http://www.somanuals.com>

<http://www.4manuals.cc>

<http://www.manual-lib.com>

<http://www.404manual.com>

<http://www.luxmanual.com>

<http://aubethermostatmanual.com>

Golf course search by state

<http://golfingnear.com>

Email search by domain

<http://emailbydomain.com>

Auto manuals search

<http://auto.somanuals.com>

TV manuals search

<http://tv.somanuals.com>