

Miele

Operating and installation instructions



Built-in coffee machine CVA 6431 (C)

To avoid the risk of accidents or damage to the machine, it is **essential** to read these instructions before it is installed and used for the first time.

en - GB

M.-Nr. 09 549 580

Caring for the environment

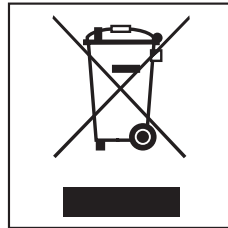
Disposal of the packing material

The packaging is designed to protect the appliance from damage during transportation. The packaging materials used are selected from materials which are environmentally friendly for disposal and should be recycled.

Recycling the packaging reduces the use of raw materials in the manufacturing process and also reduces the amount of waste in landfill sites.

Disposal of your old machine



Electrical and electronic machines often contain valuable materials. They also contain materials which, if handled or disposed of incorrectly, could be potentially hazardous to human health and to the environment. They are, however, essential for the correct functioning of your machine. Please do not therefore dispose of it with your household waste.



Please dispose of it at your local community waste collection/recycling centre, or contact your Dealer for advice. Ensure that it presents no danger to children while being stored for disposal.

Caring for the environment	2
Guide to the machine	6
Accessories	9
Warning and Safety instructions	10
Preparing the coffee machine for use	17
Before using for the first time	17
Switching on for the first time	17
Water hardness	18
Operation	20
Filling the water container	21
Switching on and off	22
Switching off for longer periods of time	22
Filling the machine with coffee capsules	23
Filling the capsule carousel	23
Taking capsules out of the capsule carousel	24
Making drinks	25
Making espresso or coffee	25
Preparing two portions	25
Cancelling preparation	25
After preparing drinks	25
Preparing hot milk, milk froth and cappuccino	26
Notes on using the cappuccinatore	26
Dispensing froth directly into the cup	27
Preparing cappuccino	28
Frothing milk in the cappuccinatore	28
Preparing hot milk	28
After preparing milk	28
Making drinks using a profile	29
Allocating the types of coffee (Type allocation)	30
Calling up "Type allocation"	30
Select type	30
Allocate type	30
Change type	31
Delete type	31

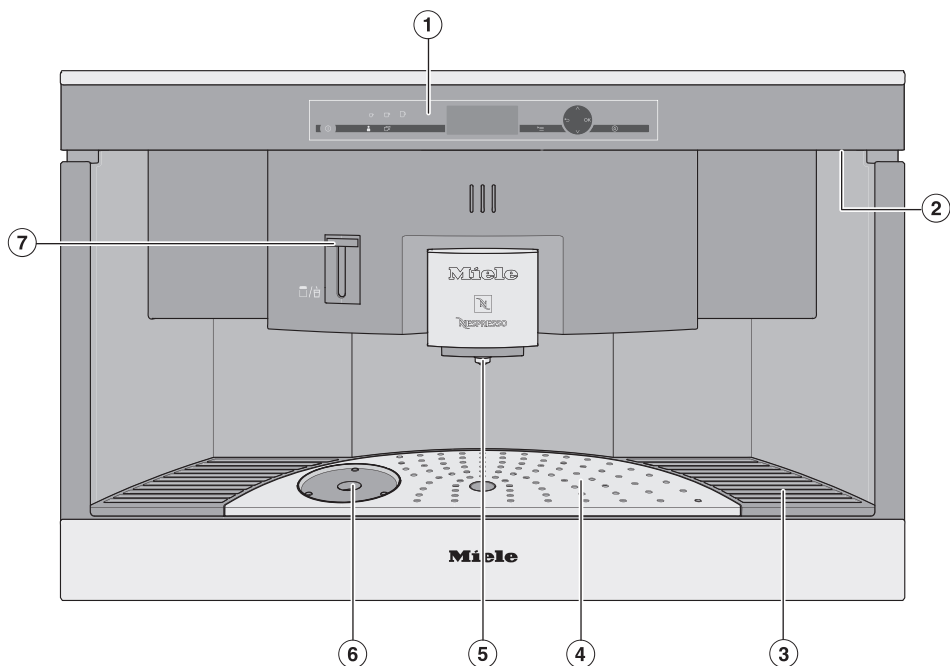
Contents

Changing the portion sizes	32
Changing the portion size while making a drink	32
Setting the portion size from the Settings menu	33
Changing portion sizes for different profiles	33
Setting up profiles	34
Calling up a profile	34
Create profile	34
Select profile	35
Change name	35
Delete profile	35
Change profile	36
Settings	37
Calling up the Settings menu	37
Changing and saving settings	37
Possible setting options	38
Language	40
Time of day	40
Display (Time of day display)	40
Clock format	40
Setting the time	40
Date	40
Timer	40
Selecting a timer	41
Allocating days of the week	41
Activating and deactivating the timer	42
Eco mode	42
Lighting	42
Setting the brightness	42
Setting the time the lighting switches off (Switch off after)	42
Info (Display information)	43
Locking the coffee machine (System lock )	43
Activating and deactivating the system lock 	43
To override the System lock	43
Water hardness	43
Display brightness	43
Volume	43
Factory default	43
Showroom programme (Demo mode)	44

Cleaning and care	45
Quick guide	45
Rinsing the coffee machine	46
Water container	46
Waste container	47
Drip tray with grid	47
Grille with drip tray cover	48
Capsule carousel and carousel runners	49
Central spout cover and drip catcher	50
Interior	50
Capsule plate	51
Steam valve	51
Cappuccinatore	52
Machine front	53
Maintenance	54
Descaling	55
Descaling after being prompted by the display	55
Descaling without being prompted by the display	57
Problem solving guide	58
After Sales / Guarantee	69
Saving energy	70
Electrical connection U.K., ZA, IRL	71
Installation	72
Building-in and combination options	72
Ventilation	73
Installation	73
Adjusting the hinges	74

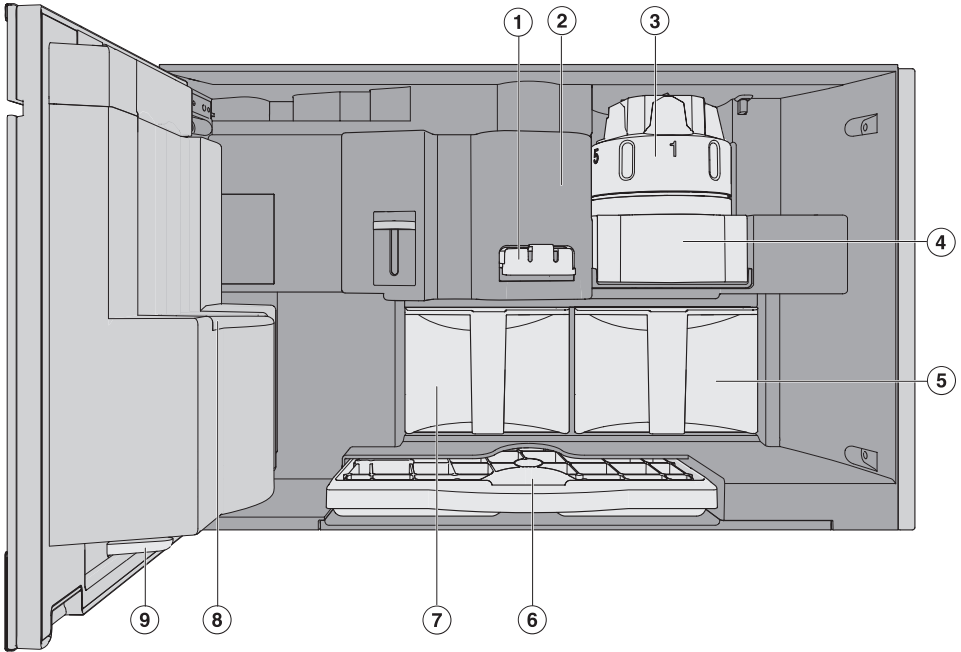
Guide to the machine

Exterior view



- ① Controls and display
- ② Handle
- ③ Plastic grille
- ④ Metal drip tray cover
- ⑤ Central spout
- ⑥ Inset for Cappuccinatore
- ⑦ Steam valve

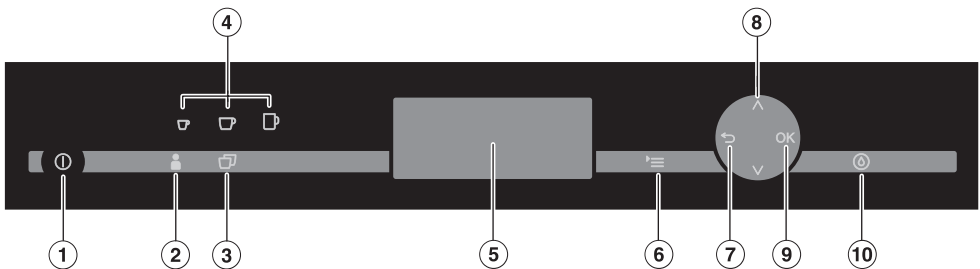
Interior view



- ① Capsule plate
(replace with the red descaling funnel when descaling is carried out)
- ② Brew unit
- ③ Capsule carousel
- ④ Carousel runners
- ⑤ Water container
- ⑥ Drip tray with grid
- ⑦ Waste container
- ⑧ Central spout cover
- ⑨ Drip catcher

Guide to the machine

Controls and display



① On/Off sensor ①	For switching the coffee machine on and off
② "Profiles" 👤	For saving and editing profiles
③ "Two portions" ☕☕	For preparing two portions of a drink
④ Drinks sensors	For dispensing ☕ Espresso ☕ Coffee ☕ Long coffee
⑤ Display	Shows information about the current action or status
⑥ "Settings" ⋮	For altering settings, displaying information or checking which settings are currently active
⑦ "Back" ↩	For returning to the previous menu, cancelling unwanted actions
⑧ Arrow sensors ^ v	For displaying further options and highlighting a selection
⑨ OK sensor	For confirming display messages and saving settings
⑩ "Maintenance" ⌚	For calling up the maintenance programme

Accessories supplied

- **Cappuccinatore**
glass jug for making hot milk and milk froth
- **Descaling funnel** (red)
for descaling the water pipework
- **Descaling tablets**
for descaling the water pipework (Starter set)
- **Cleaning tablets**
for degreasing the capsule plate (Starter set)
- **Test strips**
for determining the water hardness level
- **Maintenance tool**
for changing the capsule hopper and releasing the steam valve

Optional accessories

Miele accessories and cleaning and conditioning products are available for your coffee machine.

- **Microfibre cloth**
for removing finger marks and light soiling
- **Capsule hopper**
must be replaced after approx. 15,000 coffee capsules have been dispensed
- **Cappuccinatore**
glass jug for making hot milk and milk froth
- **Descaling tablets**
for descaling the water pipework
- **Cleaning tablets**
for degreasing the capsule plate
- **GCEO dishwasher insert**
for cleaning the Cappuccinatore in a dishwasher

These products and other useful accessories can be ordered via the internet, from Miele (see back cover for contact details) or from your Miele dealer.



www.miele-shop.com

Warning and Safety instructions

This coffee machine complies with all relevant legal safety requirements. Improper use can, however, lead to personal injury and damage to property.

To avoid the risk of accidents and damage to the machine, please read these instructions carefully before using it for the first time. They contain important information on installation, safety, use and maintenance.


Miele cannot be held liable for damage caused by non-compliance with these Warning and Safety instructions.

Keep these instructions in a safe place and ensure that new users are familiar with the content. Pass them on to any future owner.

Correct application

- ▶ This coffee machine is intended for use in domestic households and similar working and residential environments. It is not intended for outdoor use.
- ▶ It must be used as a domestic appliance and only for the preparation of espresso, cappuccino, latte macchiato etc. Any other usage is not supported by the manufacturer and could be dangerous.
- ▶ The coffee machine can only be used by people with reduced physical, sensory or mental capabilities, or lack of experience and knowledge, if they are supervised whilst using it, or have been shown how to use it in a safe way and recognise and understand the consequences of incorrect operation.

Safety with children

 Caution. The central spout and the steam valve present a danger of burning and scalding. Children's skin is very sensitive and reacts to hot temperatures. Do not allow them to touch hot components of the coffee machine or to place any part of their body under the spouts.

- ▶ Install the coffee machine where it is out of the reach of children.
- ▶ Children under 8 years of age must be kept away from the machine unless they are constantly supervised.
- ▶ Children 8 years and older may only use the machine unsupervised if they have been shown how to use it in a safe way and recognise and understand the consequences of incorrect operation.
- ▶ Children must not be allowed to clean or maintain the machine unsupervised.
- ▶ Please supervise children in the vicinity of the coffee machine and do not allow them to play with it.

Remember that coffee and espresso are not suitable drinks for children.

- ▶ Danger of suffocation. Packaging, e.g. plastic wrappings, must be kept out of the reach of babies and children. Whilst playing, children could become entangled in packaging or pull it over their head and suffocate.

Warning and Safety instructions

Technical safety

- ▶ A damaged coffee machine could be dangerous. Before building in the machine, check it for any externally visible damage. Do not use a damaged machine.
- ▶ Before connecting the machine to the mains supply, make sure the connection data (voltage and frequency) on the data plate corresponds to the household supply. Consult a qualified electrician if in any doubt.
- ▶ The electrical safety of this machine can only be guaranteed if correctly earthed. It is essential that this standard safety requirement is met. If in any doubt, please have the electrical installation tested by a qualified electrician.
- ▶ Do not connect the machine to the mains electrical supply by a multi-socket adapter or an extension lead. These are a fire hazard and do not guarantee the required safety of the machine.
- ▶ For safety reasons, this machine may only be used when it has been built in.
- ▶ If the coffee machine is to be built in above another appliance, there must be a full-width, closed shelf between them.
- ▶ The coffee machine must not be used in a non-stationary location (e.g. on a ship).
- ▶ Only use the coffee machine in rooms where the ambient temperature is between +10 °C and +38 °C.


Warning and Safety instructions

- ▶ Ensure that there is sufficient ventilation around the coffee machine. Otherwise condensation can build up and damage the machine and / or the housing unit.
- ▶ If the coffee machine is installed behind a kitchen furniture door, it may only be used with the furniture door open. Do not close the furniture door while the coffee machine is in use.
- ▶ Repairs may only be carried out by a Miele authorised service technician. Repairs and other work by unqualified persons can cause considerable danger to users. The manufacturer cannot be held liable for unauthorised work.
- ▶ While the appliance is under guarantee, repairs should only be undertaken by a Miele authorised service technician. Otherwise the guarantee is invalidated.
- ▶ Miele can only guarantee the safety of the machine when original Miele replacement parts are used. Faulty components must only be replaced by genuine Miele original spare parts.
- ▶ The machine must be disconnected from the electrical supply during installation or repair work.
- ▶ Do not open the outer casing of the machine. Tampering with electrical connections or components and mechanical parts is highly dangerous to the user and can cause operational faults.

Warning and Safety instructions


► Only use genuine original Miele accessories with this appliance. Using spare parts or accessories from other manufacturers will invalidate the guarantee, and Miele cannot accept liability.

Correct use

 Caution. The central spout and the steam valve present a danger of burning and scalding. The liquids and steam dispensed are very hot.

Please note:

- Keep well away from the area underneath the central spout and steam valve when hot liquids and steam are being dispensed.
- Do not touch hot components.
- The spouts can spray hot liquid or steam.
- Water in the drip tray can be very hot. Take care when emptying it.

 Danger of injury. Do not touch the brew unit when the machine is connected to the electrical supply. Do not clean the inside of the capsule plate opening.

 Never look directly at the lighting or use optical instruments to look at it.

► Clean the coffee machine and the cappuccinatore (milk frother) thoroughly before using for the first time (See "Cleaning and care").

Warning and Safety instructions

- ▶ Please note the following regarding water:
 - Only use cold, fresh tap water to fill the water container. Warm or hot water or other liquids could damage the machine.
 - Change the water every day to prevent a build-up of bacteria.
 - Do not use mineral water. Mineral water will cause serious limescale deposits to build up in your machine and damage it.
 - Do not use water from a reverse osmosis unit in this machine. This would damage it.
- ▶ Do not put anything other than Nespresso coffee capsules in the capsule carousel. Other manufacturers' capsules etc. would damage the machine.
- ▶ The coffee capsules must be intact before use. Do not use coffee capsules which are damaged, broken or dented. These could become jammed in the machine and damage it.
- ▶ Do not use milk with additives. Sugar additives will stick to the milk pipework and damage the coffee machine and the cappuccinatore.
- ▶ If using animal milk, use only pasteurised milk.
- ▶ Never place a drink with ignited alcohol under the central spout of the coffee machine. The flames could ignite plastic components and cause fire damage.
- ▶ Do not swing from or hang anything on the machine front when it is open as this could damage the machine.

Warning and Safety instructions

▶ Please note the following with regard to cleaning the coffee machine:

- Clean the coffee machine and the cappuccinatore daily (see "Cleaning and care").
- Do not use a steam cleaner to clean the machine. Steam could reach electrical components and cause a short circuit.
- Descale the coffee machine regularly using the appropriate number of Miele descaling tablets for the water hardness level in your area. Descale the machine more frequently in areas with very hard water. The manufacturer cannot be held liable for damage arising from insufficient descaling.

▶ Do not use the coffee machine or the cappuccinatore for cleaning other objects.

For machines with a stainless steel front:

▶ Do not use sticky notes, transparent adhesive tape, masking tape or other types of adhesive on stainless steel surfaces. These damage the surface, causing it to lose its dirt repellent protective coating.

▶ The finish on stainless steel surfaces is susceptible to scratching. Even magnets can cause scratching.

Preparing the coffee machine for use

Please read the operating instructions and take the time to familiarise yourself with the coffee machine before using it for the first time.


Before using for the first time

- The machine must be correctly installed and connected (see "Electrical connection" and "Installation") before it is used for the first time.
- Remove any protective foil.

Clean the coffee machine thoroughly (see "Cleaning and care") before filling it with water and coffee capsules.

Switching on for the first time

When you switch the coffee machine on for the first time, you will be prompted to set the following:

- Language and Country
- Time of day
- Date
- Display (Time of day display)
- Touch the On/Off sensor .

The welcome message "Miele - Willkommen" will appear in the display briefly.

Selecting the language

- Touch the arrow sensors until the language you want is highlighted. Touch the OK sensor.

- Touch the arrow sensors until the country you want is highlighted. Touch the OK sensor.

The setting is now saved.

Setting the time of day

- Touch the arrow sensors until the current hour appears. Touch the OK sensor.
- Touch the arrow sensors until the current minutes appear. Touch the OK sensor.

The setting is now saved.

Setting the date

- Touch the arrow sensors until the current year appears. Touch the OK sensor.
- Touch the arrow sensors until the current month appears. Touch the OK sensor.
- Touch the arrow sensors until the current day appears. Touch the OK sensor.

The setting is now saved.

Preparing the coffee machine for use

Selecting the display

You can choose from the following options:

- **On:** the display will always show the date and time (even when the machine is switched off).
 - **Off:** the date and time are not displayed when the machine is switched off.
 - **Night dimming:** the date and time are only displayed between the hours of 5:00 and 23:00.
- Touch the arrow sensors until the option you want is highlighted. Touch the OK sensor.

The coffee machine will use more energy depending on the option you choose for the display. Information about this will appear in the display.

"Set-up successfully completed" will appear in the display.

"Fill and replace the water container" will appear in the display.

- Fill the water container with fresh, cold tap water.

Tip: Please continue to work through the further steps outlined in the operating instructions so that you can familiarise yourself with the coffee machine and set it up for your specific requirements.

Water hardness

The water hardness level indicates how much calcium is dissolved in the water. The higher the calcium content, the harder the water, and the harder the water, the more often the coffee machine will need to be descaled.

The coffee machine measures the quantity of water and steam used. The number of drinks which can be dispensed before the machine needs to be descaled will depend on the water hardness level set.

Set the water hardness level on the coffee machine to the water hardness level for the local area to ensure that the machine functions correctly and is not damaged. This will ensure that the reminder to descale the machine will appear in the display at the correct time.

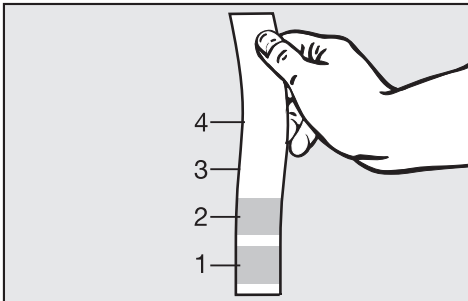
The machine has four programmable levels:

Water hardness	Local water hardness level	Setting (Hardness level)
0 - 8.4 °dH (0 - 1.5 mmol/l)	Soft	Soft
8.4 - 14 °dH (1.5 - 2.5 mmol/l)	Medium	Medium
14 - 21 °dH (2.5 - 3.7 mmol/l)	Hard	Hard
> 21 °dH (> 3.7 mmol/l)	Hard	Very hard

Preparing the coffee machine for use

Checking the water hardness level

You can use the test strip supplied to check the water hardness level, or your local water supplier will be able to advise you on the hardness of the water in your area.



- Dip the test strip in your drinking water for a second, then shake off any excess water. The result will be evident after about a minute.

You can now set the water hardness level for the coffee machine.

Setting the water hardness level

- Touch '≡'.
- Touch the arrow sensors until "Water hardness" is highlighted. Touch the OK sensor.
- Touch the arrow sensors until the hardness level you want is highlighted. Touch the OK sensor.

The setting is now saved.

Operation

The coffee machine is operated by touching the sensors.

You are in the drinks menu when the display shows:



To prepare a drink, press one of the drinks sensors

Calling up and navigating in a menu

To call up a menu, touch the relevant sensor. You will be able to start actions or alter settings in the selected menu.



A scroll bar on the right hand side of the display indicates more options or text. These can be displayed using the arrow sensors.

The setting which is currently selected will have a tick ✓ beside it.

To select an option, touch the ∨ and ∧ arrow sensors to highlight the option you want.

Touch the OK sensor to confirm your selection.

Exiting a menu or cancelling an action

To exit the current menu, touch "Back" ↩.

If none of the sensors has been touched for a while, the coffee machine will revert to the drinks menu.

Filling the water container

Warning. Bacteria can cause infection.

It is important to empty and fill the container with fresh tap water **every day** to avoid the risk of bacteria building up.

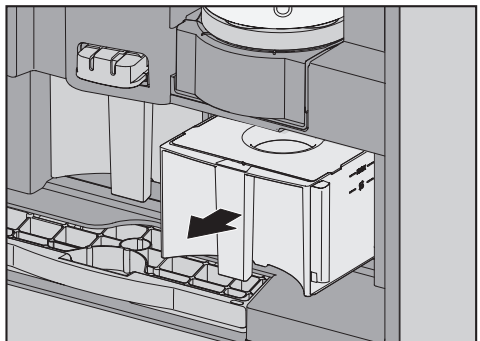
Only use fresh, cold tap water.

Hot or warm water or other liquids could damage the coffee machine.

Do not use mineral water. Mineral water will cause serious limescale deposits to build up in your machine and damage it.



- Open the front of the machine.



- Lift the water container up and pull it forwards to remove it.
- Fill the water container with fresh, cold tap water up to the "Max." mark.
- Push the water container into the machine until it clicks into place. Close the front.

If the water container protrudes slightly or is a little high, check whether the surface that the water container sits on is dirty. If the water container is not positioned correctly, the outlet valve will not connect properly and could leak. Clean the surface, if necessary.

Switching on and off

Switching on

- Touch the On/Off sensor ①.

Tip: If you do not want the water from the rinsing process to flow into the drip tray, place a suitable container underneath the central spout before preparing the first coffee of the day.

At first "Heating-up phase" appears in the display and after the coffee machine has heated up, the pipework is rinsed out. Hot water will be dispensed from the central spout.

If the coffee machine still has an operating temperature higher than 60 °C , then rinsing will not take place.

The machine will now align the capsule carousel and check the chambers. You will be able to hear this happening.

When the different types of coffee appear in the display, you can prepare a drink.

Switching off

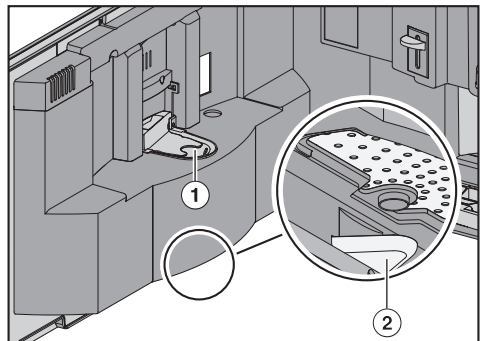
- Touch the On/Off sensor ①.

If coffee has been dispensed, the coffee machine will carry out a rinse automatically before switching off.

Switching off for longer periods of time

If the machine is not going to be used for a longer period of time, e.g. whilst on holiday

- Empty the drip tray, the waste container and the water container.



- Clean all components thoroughly, including the central spout cover ① and the drip catcher ② in the machine front.
- Switch the machine off.

If you are leaving the front open while the coffee machine is not in being used for a long time, disconnect it from the mains to save energy.

Filling the machine with coffee capsules

The Nespresso coffee capsules are loaded into the capsule carousel. The capsule carousel has five chambers, each holding four capsules.

The five chambers can be filled with five different types of coffee. It is important to allocate the chambers correctly so that you can select the type of coffee you want to prepare.

Filling the capsule carousel

This appliance can only be used with Nespresso coffee capsules available exclusively through the Nespresso Club or your Nespresso authorised representative.

Nespresso quality is only guaranteed when Nespresso capsules are used in Nespresso appliances.

Do not use Nespresso coffee capsules which are damaged, broken or bent up at the edges. They can get stuck in the machine and cause damage.

Only the use of Nespresso capsules will guarantee the proper functioning and lifetime of your Nespresso machine.

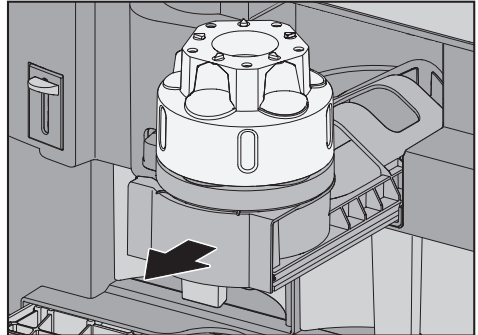
So that you can select the different types of coffee from the display, make sure

- that you fill the chambers with capsules of the appropriate coffee type.

- or, if you are using different types of coffee, make sure you re-allocate the chambers (see "Allocating the types of coffee (Type allocation)").

You can fill all of the chambers with the same type of coffee if you wish.

- Open the front of the machine.

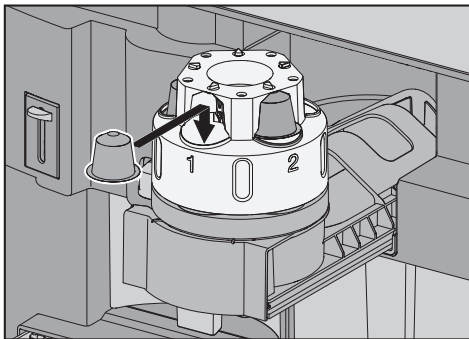


- Pull the carousel runners out as far as possible.

When the coffee machine is switched on and the carousel runners are pulled out, the type of coffee allocated to the chamber is shown in the display. This allows you to allocate the coffee types correctly.

Lift the capsule carousel to remove it or fill it while it is on the runners.

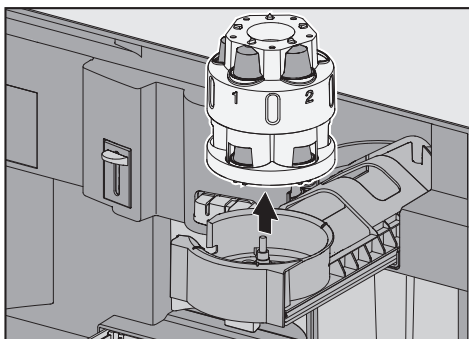
Filling the machine with coffee capsules



- Make sure you put the capsules into the chambers of the capsule carousel correctly with the foil facing downwards.

Please note that the individual capsules sit loosely in the capsule carousel to prevent them from becoming jammed.

If you have removed the capsule carousel,

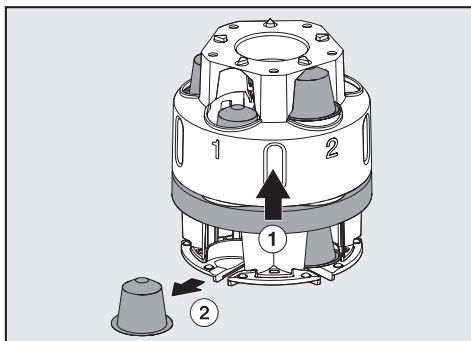


- place it onto the carousel runners before pushing it back into the machine.
- Push the carousel runners fully back into the machine and close the machine front.

The machine will now align the capsule carousel and check the chambers. You will be able to hear this happening.

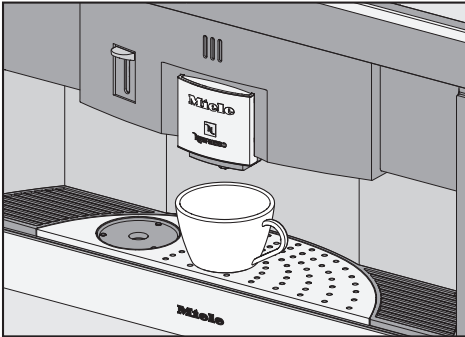
Taking capsules out of the capsule carousel

- Pull the capsule runners out and remove the capsule carousel.



- Push upwards on the ring underneath the carousel ① and then remove the capsules ②.

Making espresso or coffee



- Place a cup under the central spout.
- Touch the arrow sensors until the type of coffee you want is highlighted.

Now select the type of drink you want.

- Touch ☐, ☐ or ☐.

The coffee or espresso will be dispensed into the cup.

Preparing two portions

You can request two portions of espresso or coffee at once either in one cup or in two separate cups. The two portions will be dispensed **one after the other**.

- Place a cup under the central spout.
- Touch the arrow sensors until the type of coffee you want is highlighted.
- Touch ☐.

The ☐ sensor will now light up.

- Touch ☐, ☐ or ☐.

Two portions of the desired drink will be dispensed from the central spout.

After a while, if no drink is selected "Two portions ☐" disappears from the display.

Cancelling preparation

Drink preparation can be cancelled while "Stop" is showing in the display.

- Touch the OK sensor.

Preparation will be cancelled.


The preparation of the first of two portions can be stopped by touching the OK sensor once. The whole preparation can be cancelled by pressing the OK sensor for longer.

After preparing drinks

If coffee has been dispensed, the coffee machine will carry out a rinse automatically before switching off.

Making drinks

Preparing hot milk, milk froth and cappuccino

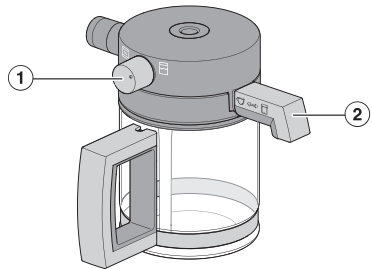
 Danger of burning and scalding on the steam valve.

Steam and water produced are very hot.

Do not place any part of your body under the steam valve when it is open.

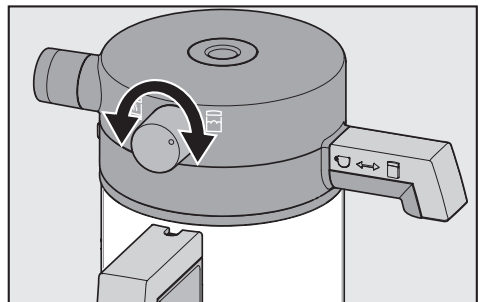
Do not touch hot components.



The steam valve must engage in the lower position in order to connect properly with the cappuccinator.



The cappuccinator must always be assembled correctly with valve ① above the handle and spout ② at the side.

The valve has two settings:



-  hot milk
(turn it anti-clockwise)
-  milk froth
(turn it clockwise)

Turn the valve clockwise or anti-clockwise so that it is at one of the symbols. Setting it between the symbols will cause the milk to sputter.

If the steam valve was open, it will be a while before steam is produced. In Eco mode, particularly, the steam system needs to heat up first. No messages appear in the display during milk preparation.

Notes on using the cappuccinator

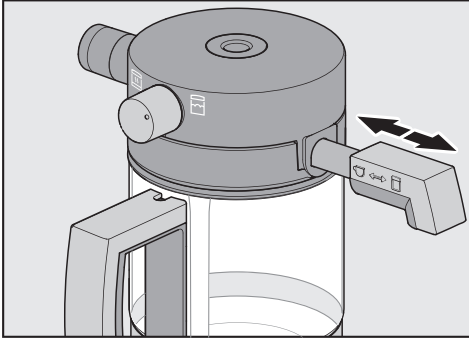
Do not use milk with additives. Sugar additives will stick to the milk pipework and damage the coffee machine and the cappuccinator.

Tip: For best results use cold milk (below 13 °C).

This machine comes with a cappuccinator (milk frother) which makes it easy to prepare hot milk, milk froth and cappuccino.

Before using the cappuccinator for the first time, clean it thoroughly, preferably in a dishwasher (see "Cleaning and care").

Milk can be frothed or dispensed straight into a cup, or heated or frothed into the cappuccinatore jug first and then poured manually into the cup. The spout must be pushed in or pulled out:



Milk spout pushed in (☐) :

Milk will be frothed and dispensed directly into the cup

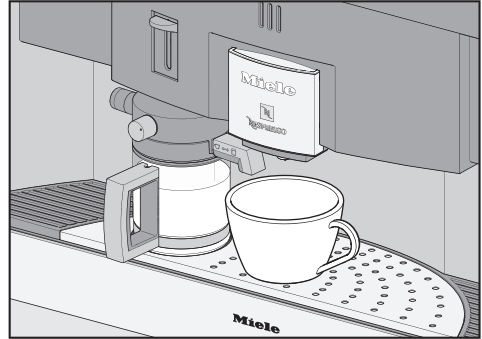
Milk spout pulled out (☐) :

Milk will be frothed in the cappuccinatore jug

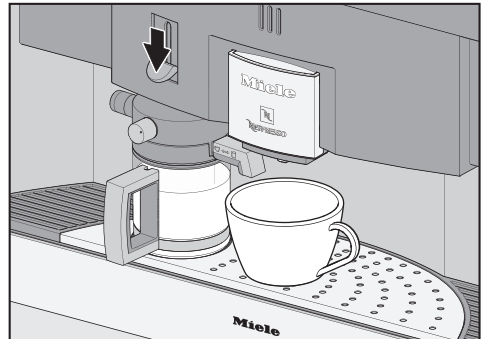
Tip: Heating the milk in the cappuccinatore jug gives you hotter milk.

Dispensing froth directly into the cup

- Push the spout into the lid as far as it will go (☐).
- Turn the valve on the cappuccinatore clockwise to ☐.
- Fill the cappuccinatore up to the **upper** mark with cold milk and replace the lid.



- Place the cappuccinatore into the inset in the drip tray and place a cappuccino cup under the central spout.




- Push the steam valve downwards slowly and carefully to connect it to the cappuccinatore.
- When you have enough froth in the cup push the steam valve up again.

Steam release is controlled by a timer. If you have not got enough milk froth, and no more steam is emerging from the steam nozzle, push the steam valve up then push it back down again.



Making drinks

Preparing cappuccino




- Dispense milk froth into the cup, as described above. Fill the cup 2/3 full with milk froth.
- Touch the arrow sensors until the type of coffee you want is highlighted.
- Touch  to make an espresso.

Espresso will be dispensed from the central spout. The cappuccino is ready.

Frothing milk in the cappuccinatore

- Pull the spout out of the lid as far as it will go (.
- Turn the valve on the cappuccinatore clockwise to .
- Fill the cappuccinatore up to the **lower** mark with cold milk and replace the lid.
- Place the cappuccinatore in the inset in the drip tray.
- Push the steam valve downwards slowly and carefully to connect it to the cappuccinatore.
- When you have sufficient froth push the steam valve up again.

Preparing hot milk

- Turn the valve on the cappuccinatore anti-clockwise to .
- Fill the cappuccinatore up to the **upper** mark with cold milk and replace the lid.
- Push the milk spout in as far as it will go  (for frothing hot milk into a cup) or pull the milk spout out  (for frothing hot milk in the cappuccinatore jug) and place the cappuccinatore in the inset of the drip tray.
- Push the steam valve downwards slowly and carefully to connect it to the cappuccinatore.

Tip: Heating the milk in the cappuccinatore jug gives you hotter milk.

After preparing milk

Warning.


Milk naturally contains bacteria which proliferate rapidly with inadequate cleaning. A dirty machine can be harmful to health. Clean the cappuccinatore and the steam valve regularly to avoid a build-up of bacteria.

If more than an hour elapses between milk preparations, dismantle and rinse the lid of the cappuccinatore and the glass jug. Milk residue can clog up the cappuccinatore.

Making drinks using a profile

By using the profiles you can make your coffee or espresso exactly the way you like it (see "Profiles").

If you have already set the machine up for a specific profile, you can select the profile first before dispensing a drink.

- Touch .
- Touch the arrow sensors until "Select profile" is highlighted.
Touch the OK sensor.
- Touch the arrow sensors until the profile you want is highlighted.
Touch the OK sensor.



The name of the profile selected will appear in the top of the display.

Now you can prepare your chosen drink as described in "Making espresso or coffee".

Allocating the types of coffee (Type allocation)


There are 16 different types of Nespresso coffee available for use in this machine (as well as occasional "special" brands). They vary in taste, aroma and how they are roasted. Preparation time also affects the taste.

You can store five different types of coffee in this machine (e.g. for five different users with different tastes).

The capsule carousel has five chambers numbered from 1 to 5.

The chambers are allocated a type of Nespresso coffee at the factory.

Calling up "Type allocation"

- Touch .
- Touch the arrow sensors until "Type allocation" is highlighted. Touch the OK sensor.
- Touch the arrow sensors until the chamber you want is highlighted. Touch the OK sensor.

For this chamber you can now

- **Select type** from the (factory default) types of coffee which have already been allocated to the coffee machine.
- **Allocate type** if you want to enter the name of a new type of coffee.

The following options are available if you have already allocated a chamber with a type of coffee yourself:

- **Change type**, to change the name of a type of coffee and
- **Delete type**, if you want to delete a type of coffee completely.

Select type

- Touch the arrow sensors until "Select type" is highlighted. Touch the OK sensor.

There will be a tick ✓ beside the type of coffee which is currently allocated to the chamber.

- Touch the arrow sensors until the type of coffee you want is highlighted. Touch the OK sensor.

The setting is now saved.

Allocate type


- Touch the arrow sensors until "Allocate type" is highlighted. Touch the OK sensor.

Letters will now appear in the display. Use the arrows to select the letters you require. You can select numbers and upper and lower case letters using the arrow sensors.

- Touch the arrow sensors to select the character you require. Touch the OK sensor.

The character you have selected will appear in the display.

- Repeat the process until the name of the type of coffee required appears in the top line of the display.

Tip: If you make a mistake, touch  to delete the last character.

Allocating the types of coffee (Type allocation)

When you have finished making your entry and want to **save** it,

- touch the arrow sensors until the tick ✓ is highlighted. Touch the OK sensor.

If you **do not want to save** your entry,

- Touch ↵ until all the characters have been deleted and the coffee machine returns to the previous selection.

Change type

You can only change the type of coffee for those types allocated in addition to the default types.

- Touch the arrow sensors until "Change type" is highlighted. Touch the OK sensor.

Now proceed as described in "Allocate type"

- To delete a character, select ↵,
- to enter new characters, select the relevant character and confirm with OK.
- save the altered name by selecting ✓ and touching the OK sensor.

Delete type

You can only change the type of coffee for those types allocated in addition to the default types.

- Touch the arrow sensors until "Delete type" is highlighted. Touch the OK sensor.
- Use the arrow sensors to select the type of coffee you want to delete.
- Touch the OK sensor.

A tick ✓ will appear beside the type of coffee and after a short while the type will be deleted.

Changing the portion sizes

The flavour of the coffee produced depends on the type of coffee, how finely the beans are ground and the quantity of water used. You can programme the amount of water used for each portion of espresso, coffee or hot water to suit your taste and your cups.

A newly saved portion size applies to the currently selected drink type. It is not distinguished by coffee type or chamber.

There is a maximum amount which can be programmed for each type of drink. Preparation stops when this is reached. The maximum amount possible for that type of drink will then be saved.

The changed portion size is always saved in the current profile. The name of the current profile is shown in the top left of the display.

There are two ways of programming the portion size, either:

- with the drinks sensor while making a coffee, or
- by selecting "Portion size" in the Settings menu.

If there is insufficient water in the water container, the process will be stopped and the amount **will not** be saved.

Changing the portion size while making a drink

Touch the ☐, ☐ and ☐ sensors for at least 3 seconds to start portion size programming.

- Place the desired cup under the central spout.
- Touch the sensor for the drink you want until "Change" appears in the display.

The desired drink will be prepared and "Save" will appear in the display.

- Touch the OK sensor when the cup has been filled to the level you want.

The portion size you have saved will now be dispensed every time that particular drink is selected.

Tip: You can cancel the portion size programming as long as "Stop" is visible in the display.


Setting the portion size from the Settings menu

- Touch '☰'.
- Touch the arrow sensors until "Portion size" is highlighted in the display. Touch the OK sensor.
- Touch the arrow sensors until the coffee drink you want is highlighted. Touch the OK sensor.

Now proceed to set the portion size as described under "Changing the portion size while making a drink".

Changing portion sizes for different profiles

You can change the portion sizes for espresso, coffee and long coffee for each individual profile.

- Touch .
- Select the profile you want.

The name of the current profile is shown in the top left of the display.

Now you can proceed as described above, either by selecting "Portion size" in the Settings menu, or by changing the portion size while making a drink.

Setting up profiles

To cater for different tastes and preferences, you can enter up to 7 individual profiles. For each individual profile you can select the portion sizes for each drink (see "Changing the portion sizes").



The name of the current profile is shown in the top left of the display.

Calling up a profile

- Touch .

The  sensor will now light up.

You can now create a profile.

If you have already created a profile in addition to the standard Miele profile, you have the following options:

- **Select profile** from the profiles which are already allocated.
- **Change name**, if you want to alter the name of a profile.
- **Delete profile**, if you want to delete a profile.
- **Change profile**, to programme the coffee machine so that it always changes back to the Miele standard profile or so that it retains the most recently selected profile.

Tip: Touch  or  to return to the main menu.

Create profile


- Touch the arrow sensors until "Create profile" is highlighted in the display. Touch the OK sensor.

Letters will now appear in the display. Use the arrows to select the letters you require. You can select numbers and upper and lower case letters using the arrow sensors.


- Touch the arrow sensors to select the character you require. Touch the OK sensor.

The character you have selected will appear in the display.

- Repeat the process until the name required appears in the top line of the display.

Tip: If you make a mistake, touch  to delete the last character.

When you have finished making your entry and want to **save** it,

- touch the arrow sensors until the  tick symbol is highlighted. Touch the OK sensor.

If you **do not want to save** your entry,

- touch ↵ until all characters have been deleted and the coffee machine returns to the previous selection.

The most recently created profile is selected as the current profile.

Select profile

This selection is only possible if you have already created a profile in addition to the standard Miele profile.

- Touch the arrow sensors until "Select profile" is highlighted in the display. Touch the OK sensor.
- Touch the arrow sensors until the profile you want is highlighted. Touch the OK sensor.

The name of the current profile is shown at the top of the display in the "Select drink" menu.

Change name

This selection is only possible if you have already created a profile in addition to the standard Miele profile.

- Touch the sensor arrows until "Change name" is highlighted in the display. Touch the OK sensor.

Now proceed as described in "Create profile".

- to delete a character, select ↵,
- to enter new characters, select the relevant character and confirm with OK.

- save the altered name by selecting ✓ and touching the OK sensor.

Delete profile

This selection is only possible if you have already created a profile in addition to the standard Miele profile.

- Touch the arrow sensors until "Delete profile" is highlighted. Touch the OK sensor.
- Use the arrow sensors to select the profile you want to delete.
- Touch the OK sensor.

A tick ✓ will appear beside the profile and after a short while the profile will be deleted.

Setting up profiles

Change profile

You can programme the machine so that it always changes back to the Miele standard profile or so that it retains the most recently selected profile.

This selection is only possible if you have already created a profile in addition to the standard Miele profile.

- Touch the arrow sensors until "Change profile" is highlighted in the display. Touch the OK sensor.

You now have the following options:

- **Manually:** The currently selected profile will remain active until you select another profile.
 - **After each use:** The machine will automatically change back to the Miele standard profile after a drink is dispensed.
 - **When switched on:** Each time the machine is switched on it will automatically select the Miele standard profile regardless of user profile was selected before the machine was last switched off.
- Touch the arrow sensors until the option you want is highlighted. Touch the OK sensor.

You can use the Settings menu to customise the coffee machine to suit your requirements.

Calling up the Settings menu

- Touch '☰.

You can now check or alter settings.

Options which are currently selected will have a tick ✓ next to them.

Touch ← to return to the menu above.
Touch '☰ to return to "Select drink".

Tip: If you have switched on the time of day display or selected "**Night dimming**", you can alter settings **without** switching the coffee machine on by touching '☰.

Changing and saving settings

- Touch '☰.
- Select the setting you want with the arrow sensors and touch the OK sensor.
- Touch the arrow sensors until the setting you want is highlighted.
- Touch the OK sensor.

The setting is now saved.

Settings

Possible setting options

The factory setting for the option is shown in **bold**.

Option	Available settings
Language	Deutsch , English and other languages Country
Set the date	Year/Month/Day
Time of day	Display Off / On / Night dimming Clock format 12 h / 24 h Set
Timer	Timer 1 Set switch on at / switch off after (1:00) / switch off at Days of the week Monday / Tuesday / Wednesday / Thursday / Friday / Saturday / Sunday / Accept Activate switch on at (Yes/ No) / switch off at (Yes / No) Timer 2 Set switch on at / switch off at Days of the week Monday / Tuesday / Wednesday / Thursday / Friday / Saturday / Sunday / Accept Activate Switch on at (Yes / No) / switch off at (Yes / No)
Type allocation	Chamber 1 Select type / Allocate type / Change type* / Delete type* Chamber 2 Select type / Allocate type / Change type* / Delete type* Chamber 3 Select type / Allocate type / Change type* / Delete type* Chamber 4 Select type / Allocate type / Change type* / Delete type* Chamber 5 Select type / Allocate type / Change type* / Delete type*
Portion size	Espresso Coffee Long coffee
Eco mode	On / Off


Option	Available settings
Lighting	Brightness Machine switched on / machine switched off Switch off after
Info	Number of drinks Total no. of portions / Espresso / Coffee / Long coffee / Steam No. of uses until descaling
System lock	On / Off
Water hardness	Soft Medium Hard Very hard
Display brightness	
Volume	Buzzer tones Keypad tone
Showroom programme	Demo mode (On/ Off)
Factory default	Do not reset Reset

* Only appears when an additional coffee type has been allocated.

Settings

Language

You can select the language (and country variant of that language) for all the display text.

Tip: If you select the wrong language by mistake, follow the flag symbol  to find the Language option again.

Time of day

You can set the time of day display, the clock format and the time.

Display (Time of day display)

You can choose from the following options:

- **On:** The time will still show in the display when the machine is switched off.
- **Off:** The time will not show in the display when the machine is switched off.
- **Night dimming:** The time of day will only show in the display during the daytime.

The coffee machine will use more energy depending on the option you choose for the display. Information about this will appear in the display.

Clock format

The options are:

- 24-hour display (24 h)
- 12-hour display (12 h)

Setting the time

Use the arrow sensors to set the hours and minutes.

Date

Use the arrow sensors to set the year, month and day.

Timer

There are two timers with the following functions:

The coffee machine:

- switches on at a particular time, e.g. in the morning for breakfast ("Switch on at").
- switches off at a particular time ("Switch off at")
- switches off after a particular length of time if none of the sensors have been touched or no drink has been prepared ("Switch off after"; Timer 1 only).

You can also allocate timer functions to individual days of the week.

For "Switch on at" and "Switch off at", the timer must be **activated** and **at least** one day of the week allocated.

Selecting a timer

The options are:

- Timer 1
Switch on at, Switch off at, Switch off after
- Timer 2
Switch on at, Switch off at

Switch on at:

Please note that the coffee machine will **not** switch on at the required time if you have activated the system lock.

Use the arrow sensors to set the hours and minutes.

If the coffee machine has switched itself on using the "Switch on at" function **3 times** and no drinks have been dispensed, the machine will not switch itself on again automatically. This prevents the coffee machine from switching itself on unnecessarily, for example whilst you are away on holiday.

The programmed times will, however, remain in memory and will be reactivated after manually switching the machine on again.

Switch off at

Use the arrow sensors to set the hours and minutes.

The programmed times will remain in memory and will be reactivated after a long absence after manually switching the machine on again (See "Switch on at").

Switch off after

The timer function "Switch off after" is only available in Timer 1.

If none of the sensors have been touched or no drink has been prepared, the coffee machine will switch itself off after 30 minutes to save energy.

You can change this to another time of between 15 minutes and 9 hours.

Allocating days of the week

Select the day of the week you want. The week day selected is marked with a symbol.

When all week days required are marked,

- touch the ∨ arrow sensor repeatedly until "Accept" is highlighted.
Touch the OK sensor.

Settings

Activating and deactivating the timer

If the timer is activated for "Switch on at", the symbol ⊕ and the desired switching-on time appear in the display 23:59 hours before, as long as "On" or "Night dimming" are selected.

When the system lock is activated, the "Switch on at" option for the timer will **not work**.

Select the timer function you want. The timer function selected is marked with a ☑ symbol.

- Touch the ∨ arrow sensor repeatedly until "Accept" is highlighted.
Touch the OK sensor.

Eco mode

The Eco mode is an energy-saving mode. The steam system only heats up when steam is required for hot milk or milk froth.

With Eco mode switched off, milk froth or hot milk, and coffee or espresso can be made in rapid succession. The steam system remains heated up and this uses considerably more energy.

The altered energy consumption mode is displayed.

Lighting

You have the following options:

- You can set the brightness when the machine is switched on.
- You can set the brightness when the machine is switched off.
- You can specify when the lighting should switch off ("Switch off after").

Setting the brightness

First select:

- Machine switched on
- Machine switched off

Alter the brightness using the arrow sensors.

To switch the lighting off:

- touch the ∨ arrow sensor, until no more segments are filled in and "Switched off" appears.

Setting the time the lighting switches off (Switch off after)

You can adjust the length of time that the coffee machine remains lit after switching off.

When the coffee machine is switched on, it remains lit for 10 minutes after the last action. This time cannot be altered.

Use the arrow sensors to set the hours and minutes.

Info (Display information)

In the "Info" option, the number of portions prepared for each individual drink can be displayed.

You can also see whether more than 50 portions can be dispensed before the machine needs to be descaled ("No. of uses until descaling").

To return to the previous display,

- touch the OK sensor.

Locking the coffee machine (System lock)

You can lock the coffee machine to prevent it being used without your knowledge, by children, for example.

Activating and deactivating the system lock

When the system lock is activated, the "Switch on at" option for the timer will not work.

To override the System lock

When "Press the OK button for 6 seconds to unlock" appears in the display,

- Touch the OK sensor for 6 seconds.

As soon as you switch the coffee machine off, the system lock will be activated again and the coffee machine is locked again.

Water hardness

Please see "Preparing the coffee machine for use" for information about water hardness.

Display brightness

Alter the Display brightness using the arrow sensors.

Volume

You can alter the volume of the buzzer and keypad tones using the arrow sensors.

To switch the tones off:

- touch the V arrow sensor, until no more segments are filled in and "Switched off" appears.

Factory default

You can reset the settings back to the ones which were set when the coffee machine was delivered - the factory default settings.

Please refer to the "Possible setting options" chart for the factory settings which are shown in bold.

Please note that the following settings will **not** be reset:

- Language
- Time of day
- Number of drinks (dispensed)
- Profile
- Portion size

Settings

Showroom programme (Demo mode)

Do not activate this setting for domestic use!

The coffee machine can be demonstrated in the showroom or at exhibitions in "demo mode". In this mode the machine lights up but no drinks are prepared or actions carried out.

The coffee machine cannot be switched off with the On/Off sensor ① when demo mode is activated.

Quick guide

Clean the coffee machine every day to prevent a build-up of bacteria.

Recommended frequency	What do I have to do?
After dispensing milk if it is going to be more than an hour until milk is dispensed again	Rinse the lid of the cappuccinatore
Every day (usually at the end of the day, before the machine is switched off)	Clean the cappuccinatore
	Clean the water container
	Clean the waste container
	Clean the drip tray
	Clean the grille and the drip tray cover
Once a week (or more often if needed)	Clean the central spout cover
	Clean the capsule carousel and carousel runners
	Clean the small drip catcher inside the front of the machine
	Clean the inside of the machine
	Clean the steam valve
	Clean the front of the machine (especially straight after descaling)
Once a month	Clean the capsule plate (with a cleaning tablet)
After approx. 15,000 drinks have been dispensed	Replace the capsule hopper
Depending on the hardness of the water	Descale the machine

Some components of the coffee machine are dishwasher safe. Cleaning these in the dishwasher frequently can cause them to become discoloured due to regular contact with food residues (e.g. tomatoes) in the dishwasher. The surface can also become damaged.

All removable parts can be cleaned in the dishwasher **except for:**

- Capsule plate
- Plastic grille
- Capsule carousel and carousel runners

Cleaning and care



Danger of burning.

Always allow the machine to cool down before cleaning. Please be aware that water in the drip tray will be hot.

Switch the machine off before cleaning the interior.

Do **not** clean the inside of the capsule plate opening.

Do not use a steam cleaner to clean the machine. Steam could reach electrical components and cause a short circuit.

To avoid damaging the surfaces of your machine, do not use:

- cleaning agents containing soda, ammonia, acids or chlorides,
- solvent-based cleaning agents,
- cleaning agents containing descaling agents,
- stainless steel cleaning agents,
- dishwasher cleaner,
- oven cleaner,
- abrasive cleaning agents, e.g. powder cleaners and cream cleaners,
- hard, abrasive sponges, e.g. pot scourers, brushes or sponges which have been previously used with abrasive cleaning agents,
- melamine eraser blocks,
- sharp metal scrapers.

Rinsing the coffee machine

If coffee has been dispensed, the coffee machine will carry out a rinse automatically before switching off to remove any remaining coffee residue.

You can however also rinse the coffee pipework manually.

■ Touch

■ Touch the arrow sensors until "Rinse appliance" is highlighted in the display. Touch the OK sensor.

The machine will be rinsed out.

Water container

Change the water every day to prevent a build-up of bacteria.

- The water container can be cleaned in the dishwasher or by hand using hot water and a little washing-up liquid. After cleaning, dry the water container.
- Carefully clean the surface the water container sits on, taking special care to clean the recesses properly.

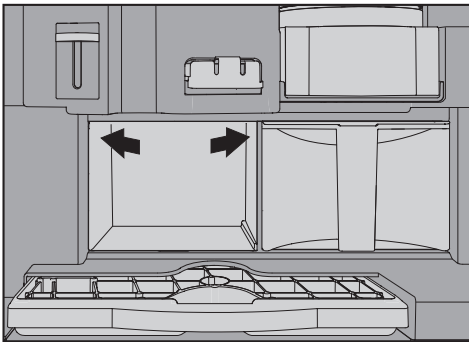
Make sure that the valve, the underside of the water container and the surface the water container sits on are clean. Otherwise the water container will not sit correctly.

Waste container

Clean the drip tray and waste container **every day** to avoid unpleasant odours and mildew.

The waste container will usually contain some residual water from the rinsing process.

- Lift the waste container and pull it forwards to remove.
- The waste container can be cleaned in the dishwasher or by hand using hot water and a little washing-up liquid. Dry with a cloth.



- Also thoroughly clean the now accessible area in the machine where the waste container sits.


Ensure that the space to the top right and left (see arrows) is clean. otherwise the machine will not be able to detect that the waste container is present or requires emptying.

- Push the waste container into the machine.

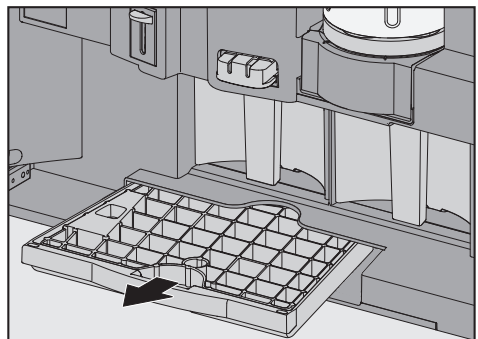
Drip tray with grid

Clean the drip tray **every day** to avoid unpleasant odours and mildew.

A message will appear in the display when the drip tray is full and needs to be emptied. Remove the tray and empty it at the latest when this message appears.

 **Danger of burning.** If the rinsing process is in progress, wait a while before removing the drip tray as the water used for rinsing will run out of the central spout.

The water in the drip tray can be very hot. Take care when emptying it.



- Open the front of the coffee machine. Remove the drip tray from the machine with care.

The grid in the drip tray prevents the water from spilling out of the tray when it is being carried.

Cleaning and care

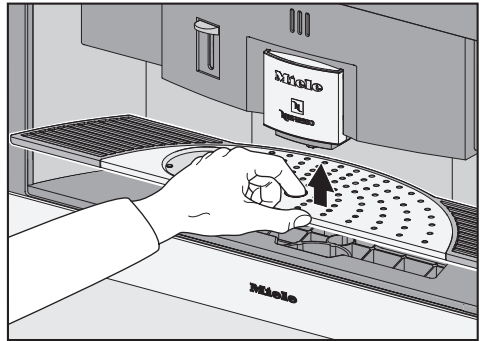
- The drip tray and grid can be cleaned in the dishwasher or by hand using hot water and a little washing-up liquid. Dry all parts thoroughly.

Make sure that the metal contact discs on the drip tray are cleaned and dried properly. The discs will not be able to detect that the drip tray is full if they are dirty or damp.

- Clean the space under the drip tray
- Push the drip tray back into the coffee machine.

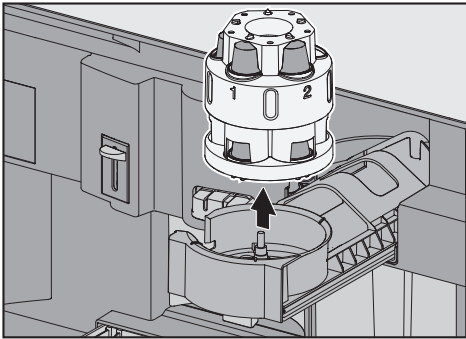
Make sure the drip tray has been pushed right into the machine as far as it will go.

Grille with drip tray cover

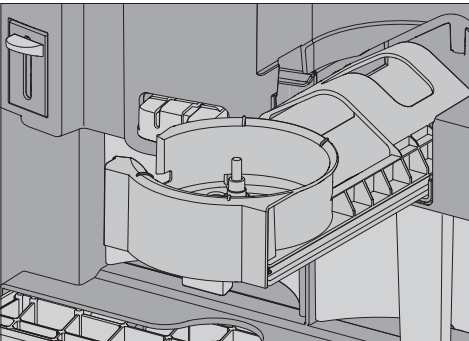


- Take out the grille and the drip tray cover.
- Clean the plastic grille **by hand** using hot water and a little washing-up liquid.
- The metal drip tray cover can be cleaned in the dishwasher or by hand using hot water and a little washing-up liquid.
- Dry all parts thoroughly and replace them.

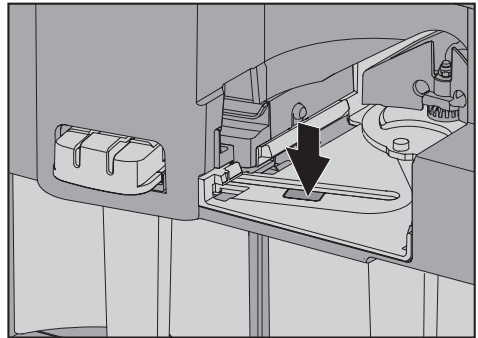
Capsule carousel and carousel runners



- Open the front of the coffee machine. Pull the carousel runners out as far as possible and remove the capsule carousel.



- Lift the carousel runner up at the front a little and then pull it out completely.
- Clean the capsule carousel and carousel runners **by hand** using hot water and a little washing-up liquid. Dry all parts thoroughly and replace them.



- Also clean the area under the carousel runners.

It is particularly important to clean the sensor which is used to recognise the capsule chambers as well as the recess in the floor.

- Dry everything with a soft cloth.
- Place the carousel runners on the guide rails.
- Insert the capsule carousel.
- Push the carousel runners with the capsule carousel fully back into the machine.

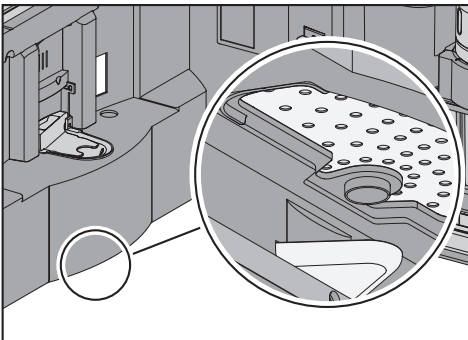
Cleaning and care

Central spout cover and drip catcher

- Open the front of the coffee machine.



- Push up and remove the cover in the middle of the inside of the machine front.
- The cover can be cleaned in the dishwasher or by hand using hot water and a little washing-up liquid.



Also clean the small drip catcher in the lower part of the inside of the front of the machine thoroughly.

- Clean the inside of the machine front with a solution of hot water and washing-up liquid.
- Dry all parts thoroughly.

- Push the cover back onto the central spout.

Interior

Take all removeable parts out of the interior and

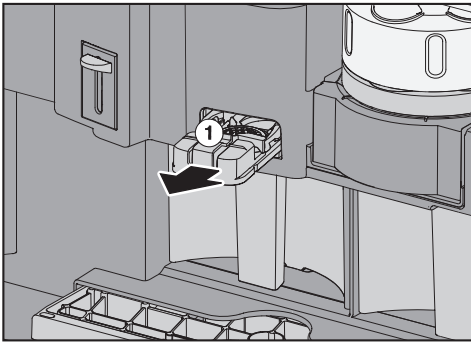
- clean the interior with a solution of lukewarm water and a little washing-up liquid.
- Dry the interior using a soft cloth.
- Replace all parts in the machine.

Capsule plate

How quickly the capsule plate becomes soiled will depend on the content of natural oils in the coffee used.

It should be cleaned once a month (or more often, if necessary) using the cleaning tablets supplied with the machine, and at the latest, when the machine is descaled.

The cleaning tablets for degreasing the capsule plate have been specially formulated for use in this coffee machine and are available from your Miele dealer or Miele (see "Optional accessories").




- Open the front of the coffee machine.
- Press on the handle ①, and pull the capsule plate forwards to remove it.
- Fill a small container with hot water and dissolve one cleaning tablet in it.
- Place the capsule plate in the cleaning solution and leave for approx. one hour.

- Once all the coffee remains have been removed, rinse it thoroughly and dry it.
- Push the capsule plate back into the machine until it clicks into place.

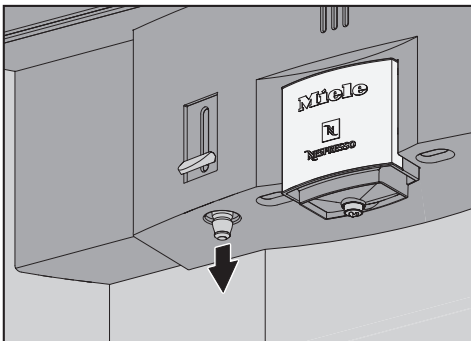
Steam valve

The small rubber sleeve which connects the steam valve and cappuccinatore can be removed for cleaning. The sleeve and also the tip of the steam valve underneath should be cleaned regularly.

 Danger of burning and scalding. Even when the coffee machine is switched off, hot steam and liquid can escape. After pushing the steam valve down, wait a moment before removing the rubber sleeve and cleaning the valve.

- Open the front of the coffee machine.



Cleaning and care



Cappuccinatore

Clean the cappuccinatore regularly, preferably once a day after use. The lid of the cappuccinatore can be dismantled for cleaning. It is best to clean the cappuccinatore in the dishwasher if possible - all parts are dishwasher safe.

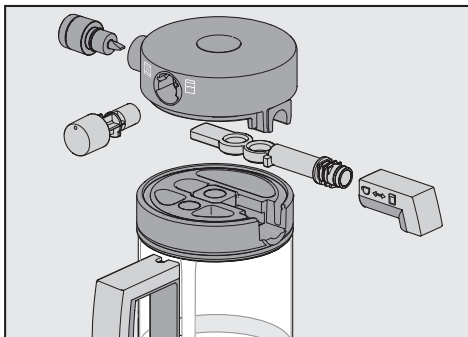
- Dismantle the cappuccinatore lid. Remove the spout and valve.

The valve can only be removed when the dot is in the middle position between the hot milk symbol  and the milk froth symbol .

- All the lid components and the glass jug can be cleaned in the dishwasher or by hand using hot water and a little washing-up liquid.

- Push the steam valve down and pull the rubber sleeve off.
- Use a mild solution of hot water and washing-up liquid to clean the rubber sleeve and the tip of the steam valve.
- Dry them and then put the sleeve back onto the tip of the steam valve. Make sure that the sleeve sits securely on the tip.
- Push the steam valve back upwards.

If you forget to push it back up, it could break when you shut the machine front.



- Reassemble the parts of the lid as shown.

Check that the cappuccinatore is correctly assembled

- and that there is no gap between the two parts of the lid.
- Also make sure that the reassembled lid is fitted onto the capuccinatore jug correctly. The valve sits above the cappuccinatore handle. If this is not the case, the cappuccinatore will not operate correctly.

Machine front

If soiling is not removed promptly it could cause the surface of the machine to alter or discolour. Remove any soiling immediately.

Make sure that water cannot get in behind the display.

All external surfaces are susceptible to scratching. Scratches on glass surfaces could even cause a breakage.

Contact with unsuitable cleaning agents can discolour the surfaces.

Wipe up any **spillages or splashes of descaling agent** immediately.

- Switch the machine off with the On/Off sensor (ⓘ).
- Clean the casing with a clean, soft sponge and hot water with a little washing-up liquid. Dry using a soft cloth.

Tip: You can also use a microfibre cloth to clean the front.

Cleaning and care

Maintenance


The capsule hopper in the brew unit needs to be replaced after approx. 15,000 coffee capsules have been dispensed. Replacement capsule hoppers are available from your Miele dealer or from Miele (see "Optional accessories").

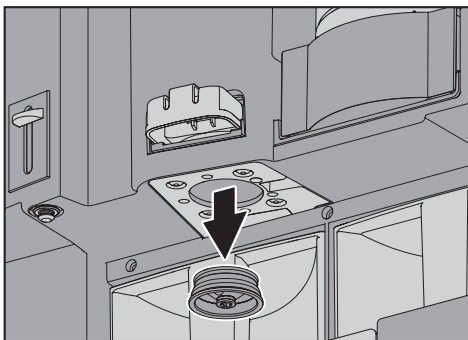
- Touch .

- Touch the arrow sensors until "Maintenance" is highlighted in the display. Touch the OK sensor.

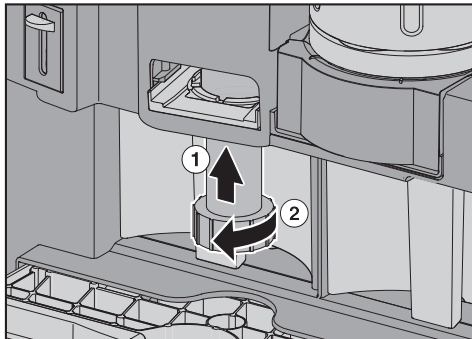
The capsule hopper inside the machine will be lowered. "Remove capsule plate and change the capsule hopper" will then appear in the display.

- Open the front of the coffee machine.
- Take out the capsule plate.

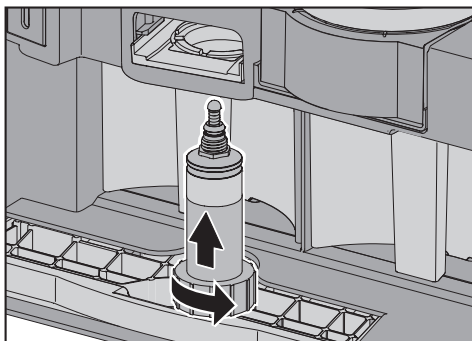
 Danger of injury.
Do not reach into the openings in the brew unit.



- Pull the rubber connector downwards.



- Insert the maintenance tool into brew unit ① from below and turn capsule hopper ② to the left to remove it.



- Screw the new capsule hopper to the right into position in the brew unit, as shown above. The spring with the ball must be inserted in the capsule hopper so that the ball is at the top.
- Replace the rubber connector and the capsule hopper.
- Insert the capsule plate and close the machine front.

Warning. When descaling the machine, cover delicate surfaces and natural flooring or place a tea towel over the waste container to prevent damage from splashes of descaling solution. Ensure that any splashes of descaling solution are wiped up immediately.

Limescale builds up in the coffee machine during use. How often, will depend on the hardness of the local water supply. Limescale must be removed regularly.

The machine will guide you through the descaling procedure. Various instructions will appear in the display, e.g. you will be prompted to empty the drip tray, fill the water container, etc.

Descaling **must be carried out**. The programme takes approx. 12 minutes.

During the descaling programme, water containing descaling agent will run out of the central spout and steam valve. This is followed by an activation period before a little more descaling agent is dispensed.

The coffee machine will remind you when the descaling programme needs to be carried out. The following message will appear in the display: "No. of uses until descaling: 50". The remaining number of drinks that can be made before descaling will now show in the display after each drink is made.

- Confirm the message by touching the OK sensor.

When 0 is reached, the coffee machine will lock out. "Start descaling?" will appear in the display.

You can switch the coffee machine off if you do not want to run the descaling programme at this time. However, you will not be able to make any more drinks until the descaling programme has been carried out.

For descaling you will need:

- the red descaling funnel and
- Miele descaling tablets.

Descaling after being prompted by the display

- Touch the OK sensor to start the descaling process.

The descaling process cannot be cancelled once it has started. The process has to be carried through to the end.


Descaling solution

The descaling tablets supplied have been specially formulated for use with this coffee machine. They are available from Miele (see back cover for contact details) or via the internet from www.miele-shop.com.

You will need **two** descaling tablets for each descaling process.

Descaling

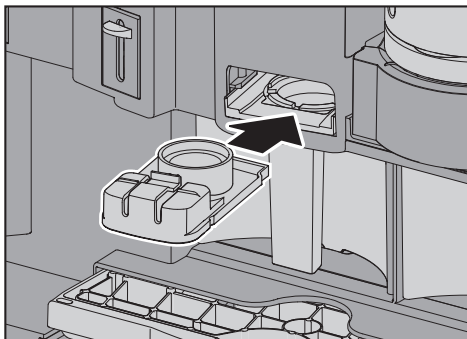
Only use the Miele descaling tablets. Other types of descaling agents will damage the coffee machine and affect the taste.

- Follow the instructions given in the display.
- Fill the water container up to the  mark with lukewarm water.
- Drop **two** descaling tablets in the water.

Follow the instructions for the mixing ratio carefully. It is important that you fill the water container with the correct amount of water (not less or more), otherwise descaling will be cut short and must then be repeated.

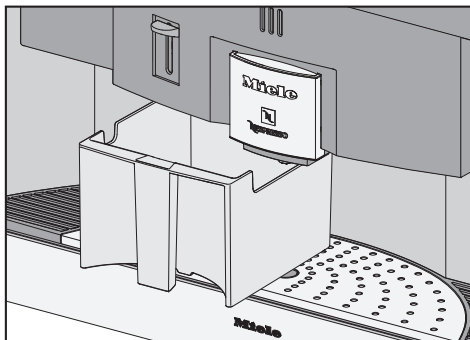
- Replace the water container.

When "Remove capsule plate Insert descaling funnel and close the door" appears,




- remove the capsule plate and replace it with the red descaling funnel.

Please follow the instructions which appear in the display.



Tip: Place the waste container under the central spout and the steam valve.

When "Rinse the water container and fill with fresh water up to the  symbol" appears,

- remove the water container and rinse it carefully with clean water. Make sure that no descaling agent is left in the water container. Also empty the waste container.


Descaling is finished when "Empty the drip tray and clean the contacts. Process finished" appears in the display.

- Touch the OK sensor.

The coffee machine has now been descaled and can be used for making drinks again.

When descaling the machine, wipe up any spillages or splashes of descaling agent immediately. These would damage the surface.

Descaling without being prompted by the display

- Touch .
- Use the arrow sensors to highlight "Descale".

The descaling process cannot be cancelled once it has started. The process has to be carried through to the end.

- Touch the OK sensor.

The descaling process will begin.

Problem solving guide

With the aid of the following guide, minor problems can be easily corrected without contacting Miele.



Warning. Do not open the outer casing of the machine.

Repairs may only be carried out by a suitably qualified and competent person in strict accordance with national and local safety regulations. Repairs and other work by unqualified persons can cause considerable danger to users. The manufacturer cannot be held liable for unauthorised work.

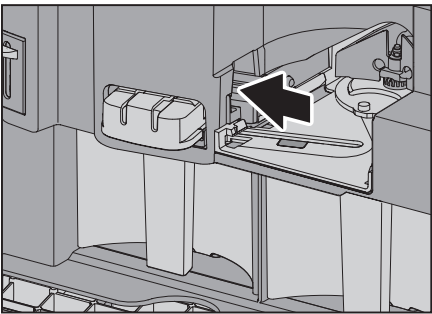
If you cannot resolve the problem following these instructions please contact Miele (see back cover for contact details).

Messages in the display



- Follow the instructions to remedy the problem.

Message	Possible cause and remedy
Fault 1 to Fault 4 Fault 80 to Fault 83	There is a fault. <ul style="list-style-type: none">■ Switch the coffee machine off with the On/Off sensor ①. Wait for one hour and then switch it back on again. If the fault message appears in the display again, contact Miele.
Fault 71	The capsule carousel is jammed and cannot turn properly. <ul style="list-style-type: none">■ Open the front of the coffee machine.■ Pull the carousel runners out and check whether one of the capsules is not positioned correctly in the carousel.■ If all capsules are correctly positioned, push the carousel back into the machine.■ Close the front. If the fault message appears in the display again, contact Miele.

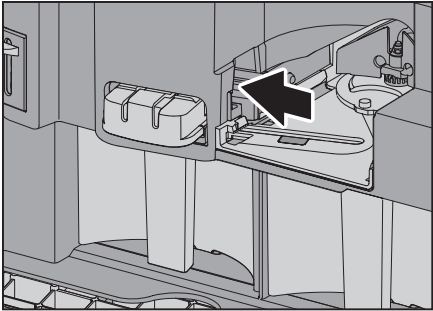
Problem solving guide

Message	Possible cause and remedy
Fault 72	<p>A coffee capsule has become jammed between the capsule carousel and the capsule plate.</p> <ul style="list-style-type: none">■ Try to remove the capsule plate.■ Look for the capsule in the brewing area and try to remove it. Dispose of this coffee capsule as it is likely to be damaged or dented and could become stuck again if reused.■ Insert the capsule plate and close the front of the coffee machine. <p>If the message appears again or if you cannot remove the capsule, contact Miele.</p>
Fault 73 Fault 76	<p>The coffee capsule was not pushed onto the capsule plate correctly and could have been damaged.</p> <ul style="list-style-type: none">■ Open the front and remove the waste container, the capsule carousel and the carousel runners.  <ul style="list-style-type: none">■ There is an opening to the right of the slot for the capsule plate. Check if a coffee capsule has become stuck there. <p>If a coffee capsule is lying on the capsule plate:</p> <ul style="list-style-type: none">■ Push the coffee capsule with the handle of a wooden spoon or similar item back into the waste container.■ Replace all parts and close the machine front.



Problem solving guide

Message	Possible cause and remedy
Fault 73 Fault 76	<p data-bbox="314 225 891 288">There is no coffee capsule on the capsule plate: The capsule is probably stuck in the brew unit.</p> <div data-bbox="314 300 1042 395" style="border: 1px solid black; padding: 5px;"><p data-bbox="333 316 1025 379"> Danger of injury. Do not touch the brew unit. Only use a wooden spoon handle or similar to do this.</p></div> <div data-bbox="325 424 787 756"></div> <ul data-bbox="311 799 1009 906" style="list-style-type: none"><li data-bbox="311 799 1009 858">■ Try to remove the coffee capsule from the upper area of the brew unit using a wooden spoon handle or similar.<li data-bbox="311 874 1009 906">■ Replace all parts and close the machine front. <p data-bbox="314 927 1009 983">If the message appears again or if you cannot remove the capsule, contact Miele.</p>

Problem solving guide

Message	Possible cause and remedy
Fault 75	<p>The sensors which recognise the waste container are dirty.</p> <ul style="list-style-type: none">■ Remove the waste container and clean the interior where it is located. Ensure that the space to the top right and left is clean.■ Push the waste container into the machine as far as it will go. Close the front.
	<p>The coffee capsule was not pushed onto the capsule plate.</p> <ul style="list-style-type: none">■ Open the machine front and remove the capsule carousel and carousel runners.■ Clean the area under the carousel runners. It is particularly important to clean the sensor which is used to recognise the capsule chambers as well as the recess in the floor. Dry everything with a soft cloth.■ Replace all parts and close the machine front.
	<p>The coffee capsule was not pushed onto the capsule plate correctly and could have been damaged.</p> <ul style="list-style-type: none">■ Open the machine front and remove the capsule carousel and carousel runners.  <ul style="list-style-type: none">■ There is an opening to the right of the slot for the capsule plate. Check whether a coffee capsule is lying on top of the capsule plate.

Problem solving guide

Message	Possible cause and remedy
Fault 75	<ul style="list-style-type: none"> ■ Push the coffee capsule with the handle of a wooden spoon or similar item back into the waste container. ■ Close the machine front. <p>If the message appears again or if you cannot remove the capsule, contact Miele.</p>
"Push water container right in"	<p>The water container has not been correctly positioned inside the machine.</p> <ul style="list-style-type: none"> ■ Remove the water container and replace it. <p>This fault message also appears if the water container was not correctly filled and positioned for descaling.</p> <ul style="list-style-type: none"> ■ Fill the water container with fresh tap water up to the  symbol and start the descaling process again. <p>If the fault message appears in the display again, contact Miele.</p>
"Empty drip tray" appears in the display although the drip tray has been emptied.	<p>The drip tray has not been correctly positioned inside the machine.</p> <ul style="list-style-type: none"> ■ Push the drip tray back in as far as it will go. <p>The sensors on the drip tray are not working properly.</p> <ul style="list-style-type: none"> ■ Switch the machine off with the On/Off sensor . <p>The metal contact discs are dirty.</p> <ul style="list-style-type: none"> ■ Clean and dry the metal contacts thoroughly (see "Cleaning and care - Drip tray with grid"). <p>If the fault message appears in the display again, contact Miele.</p>

Unusual performance of the coffee machine

Problem	Possible cause and remedy
When the coffee machine is switched on the lighting does not come on.	The lighting has been switched off. ■ Switch it back on (see "Settings - Lighting").
	The lighting is faulty. ■ Call Miele.
The display remains dark when the coffee machine is switched on using the On/Off sensor ①.	The On/Off sensor ① was not touched for long enough. ■ Touch the depression in middle of the On/Off sensor ① for at least 2 seconds.
	The plug is not inserted in the socket correctly. ■ Insert the plug in the socket correctly and switch on.
	The main fuse has tripped due to a problem with the coffee machine, the electricity supply or another appliance. ■ Switch off at the wall socket and unplug it. ■ Contact a qualified electrician or Miele.
The coffee machine switches off suddenly.	The switching off time programmed using the timer has been reached. ■ If required, you can select a new switching off time (see "Settings - Timer").
	The plug is not inserted in the socket correctly. ■ Insert the plug in the socket correctly and switch on.
The lighting suddenly switches off.	The lighting will switch itself off automatically after 10 minutes, if the coffee machine is not used for a certain length of time.
The sensors do not react to touch. You cannot operate the coffee machine.	There is a fault. ■ Open the front of the coffee machine.
	The current process is stopped. ■ Disconnect the coffee machine from the power supply.

Problem solving guide

Problem	Possible cause and remedy
<p>The coffee machine does not switch itself on, although the "Switch on at" setting has been activated for the timer.</p>	<p>The system lock is activated.</p> <ul style="list-style-type: none"> ■ Deactivate the system lock (see "Settings - System lock").
	<p>The day of the week has not been selected.</p> <ul style="list-style-type: none"> ■ Check the timer settings and change these if necessary (see "Settings - Timer").
	<p>The machine was not used after being switched on automatically 3 times in succession.</p> <ul style="list-style-type: none"> ■ Switch the machine on and make a drink.
<p>You cannot read the display.</p>	<p>The display brightness has been set too low.</p> <ul style="list-style-type: none"> ■ Adjust the brightness (see "Settings - Display brightness")
<p>The machine front will not open or close.</p>	<p>The steam valve is not closed and is not in the upper position.</p> <ul style="list-style-type: none"> ■ Push the steam valve right down and then push it upwards as far as it will go.
	<p>The hinges are not aligned correctly.</p> <ul style="list-style-type: none"> ■ Adjust the hinges (see "Installation - Adjusting the hinges").
<p>The machine does not rinse when it is switched on.</p>	<p>If the coffee machine still has an operating temperature higher than 60 °C , then rinsing will not take place.</p>
<p>The date and time of day must be reset.</p>	<p>If the coffee machine is disconnected from the electrical supply or in the case of a power cut, the date and time of day will be saved for at least 3 days. After that, they must be reset. Timer settings are not lost.</p>
<p>Coffee preparation is interrupted.</p>	<p>A double portion was selected.</p> <p>The machine uses two capsules for double portions. However, if only one capsule of the selected capsule type remains in the capsule carousel, preparation is interrupted.</p> <ul style="list-style-type: none"> ■ Replenish the coffee capsules.

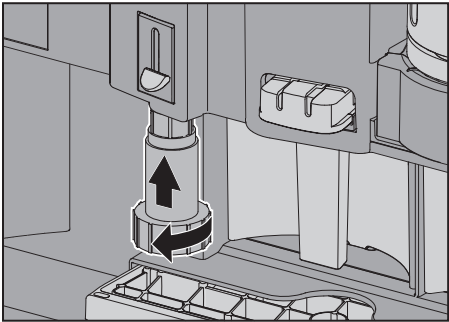
Problem solving guide

Problem	Possible cause and remedy
Drinks are not dispensed, even though there are coffee capsules in the capsule carousel and there is enough water in the water container.	<p>The water container is not positioned correctly inside the machine.</p> <ul style="list-style-type: none"> ■ Remove the water container and replace it.
	<p>A coffee capsule has jammed in the capsule carousel.</p> <ul style="list-style-type: none"> ■ Open the front of the coffee machine. ■ Pull the carousel runners out, lift the capsule carousel upwards and release the coffee capsules so that they can move without hindrance. ■ Replace the capsule carousel on its runners, and push the runners as far as they will go into the machine. Close the front.
While carrying out the procedure for changing the portion size (programming the amount of water used for a drink), the drink stops being dispensed.	<p>The maximum possible water quantity was reached. Preparation is halted and the maximum portion size possible will be saved.</p>
	<p>There is insufficient water in the water container. The process for changing the portion size will be cancelled and the portion size will not be saved.</p> <ul style="list-style-type: none"> ■ Remove the water container, fill and replace it and carry out the procedure for changing the portion size again.
The descaling programme was started by mistake.	<p>The descaling process cannot be cancelled once you have touched the OK sensor.</p> <p>The process has to be carried through to the end. This is a safety measure to ensure that the machine is fully descaled, and is important for the long-term protection of the machine and to ensure it functions correctly.</p> <ul style="list-style-type: none"> ■ Descal the coffee machine (see "Descaling").

Problem solving guide

Problem	Possible cause and remedy
<p>Milk (steam) and espresso / coffee cannot be prepared at the same time.</p>	<p>The energy-saving Eco mode is activated. In this mode, the steam system is heated up for preparing hot milk or milk froth. After preparation the steam system will cool down again.</p> <p>If you want to prepare milk without having to wait until the steam system has heated up,</p> <ul style="list-style-type: none"> ■ switch off "Eco mode" in the "Settings" menu. <p>If Eco mode is deactivated, the steam system will remain heated and you can prepare drinks made with milk without the need for heating up beforehand. However, with Eco mode deactivated, the coffee machine will use considerably more energy.</p>
<p>Eco mode is switched on. However, milk (steam) and espresso / coffee can still be prepared at the same time.</p>	<p>If the steam system is still heated up, milk (steam) and espresso / coffee can be prepared at the same time.</p> <p>When the steam system has cooled down, milk (steam) and espresso / coffee can only be prepared one after the other (not at the same time).</p>
<p>The steam valve has been pushed downwards and has engaged with the cappuccinatore, but no steam is coming out. Milk is not being heated or frothed.</p>	<p>If the steam valve was open, it will be a while before steam is produced. The steam system needs to heat up again. No instructions appear in the display.</p> <p>If you want to prepare milk without having to wait until the steam system has heated up,</p> <ul style="list-style-type: none"> ■ switch off "Eco mode" in the "Settings" menu. <p>If Eco mode is deactivated, the steam system will remain heated and you can prepare drinks made with milk without the need for heating up beforehand. However, with Eco mode deactivated, the coffee machine will use considerably more energy.</p> <hr/> <p>The steam valve is not properly engaged with the cappuccinatore.</p> <ul style="list-style-type: none"> ■ Push the steam valve upwards then back down again so that it clicks into place.

Problem solving guide

Problem	Possible cause and remedy
The steam valve has been pushed downwards and has engaged with the cappuccinatore, but no steam is coming out. Milk is not being heated or frothed.	<p>The steam valve is blocked.</p> <ul style="list-style-type: none">■ Open the front of the coffee machine.■ Push the steam valve back down again, and pull the rubber sleeve off.  <p>■ Using the small end of the tool for removing the capsule hopper, turn the tip of the steam valve to the left to remove it.</p> <p>■ Clean the tip thoroughly and then screw it back on again.</p>
No milk froth is coming out of the cappuccinatore.	<p>The spout in the lid is pulled out (☐). Milk will be frothed in the cappuccinatore jug.</p> <ul style="list-style-type: none">■ Push the spout back in (☐).
	<p>The cappuccinatore lid is incorrectly assembled.</p> <ul style="list-style-type: none">■ See "Cleaning and care - Cappuccinatore" for more information.
	<p>The milk system of the cappuccinatore is blocked.</p> <ul style="list-style-type: none">■ Clean the cappuccinatore thoroughly (see "Cleaning and care - Cappuccinatore").

Problem solving guide

Unsatisfactory results

Problem	Possible cause and remedy
Coffee residue is left behind in the coffee cups.	The capsule plate is dirty. ■ Clean the capsule plate (see "Cleaning and care").
The coffee is not hot enough.	The cup has not been pre-heated. Pre-heat the cups, e.g. with hot water. The smaller and thicker the cup, the more important it is to pre-heat it.
The coffee is weak.	Too much water was saved as the portion size for the type of coffee capsule used. ■ Change the portion size (see "Changing the portion size").
The preparation time and colour of the coffee varies.	The preparation time, colour and taste of the coffee will vary depending on the type of coffee capsule and the type of drink selected (espresso, coffee and long coffee). This is not a fault. ■ Please follow the recommendations for the individual capsule types (see packaging for more details).
There is residual water in the waste container.	The water is left over from the brewing and cleaning process. This is not a fault.
The heating-up time is getting longer, the amount of water being dispensed is no longer correct and the coffee machine is not performing properly.	The coffee machine need to be descaled. ■ Descale the coffee machine (see "Descaling").

In the event of a fault which you cannot correct yourself, or if the appliance is under guarantee, please contact:

– your Miele Dealer

or

– Miele (see back cover for contact details).

Please note that telephone calls may be monitored and recorded for training purposes (UK only).

When contacting your Dealer or Miele, please quote the model and serial number of your machine. These are shown on the data plate inside the machine.

N.B. A call-out charge will be applied for service visits where the problem could have been resolved as described in these instructions.

Guarantee

For information on the appliance guarantee specific to your country please contact Miele. See back cover for address.

In the U.K. your coffee machine is guaranteed for 2 years from the date of purchase. However, you must activate your cover by calling 0845 365 6640 or registering online at www.miele.co.uk.

Saving energy

Changing the following settings from their factory default will increase the energy consumption of the coffee machine:

- Eco mode
- Lighting
- Time of day display
- Timer

When altering these settings, the message "This setting increases energy consumption" will appear in the display.

All electrical work should be carried out by a suitably qualified and competent person only, in strict accordance with current national and local safety regulations (BS 7671 in the UK).

Installation, repairs and other work by unqualified persons could be dangerous. The manufacturer cannot be held liable for unauthorised work.

Ensure power is not supplied to the machine until after installation work has been carried out.

The voltage and frequency are given on the data plate. Please ensure these match the household mains supply. The fuse rating is quoted on the plug.

The machine is supplied with a mains cable with moulded plug for connection to a 230 - 240 V mains supply.

Connection should be made via a fused plug and suitable switched socket which is easily accessible after installation.

Do not connect via an extension lead.

For extra safety it is advisable to protect the appliance with a suitable residual current device (RCD). Contact a qualified electrician for advice.

If the socket is not accessible after installation (depending on country) an additional means of disconnection must be provided for all poles.

**WARNING: THIS APPLIANCE
MUST BE EARTHED**

Non-rewireable plugs BS 1363

The fuse cover must be refitted when changing the fuse, and if the fuse cover is lost, the plug must not be used until a suitable replacement is obtained. The colour of the correct replacement cover is that of the coloured insert in the base of the plug, or the colour that is embossed in words on the base of the plug (as applicable to the design of plug fitted).

Replacement fuses should be ASTA approved to BS 1362 and have the correct rating. Replacement fuses and fuse covers may be purchased from your local electrical supplier.

Do not connect the machine to an inverter such as those used with an autonomous energy source e.g. **Solar power**.

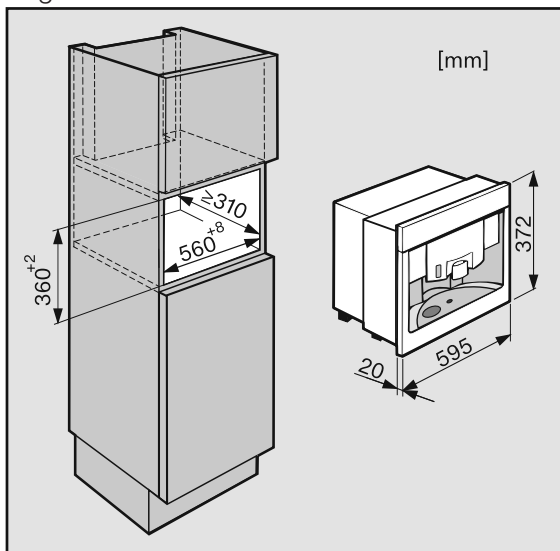
When switched on peak loads in the system can cause the safety switch off mechanism to be triggered. This can damage the electronic unit.

The machine must not be used with so-called **Energy saving devices** either. These reduce the amount of energy supplied to the machine causing it to overheat.

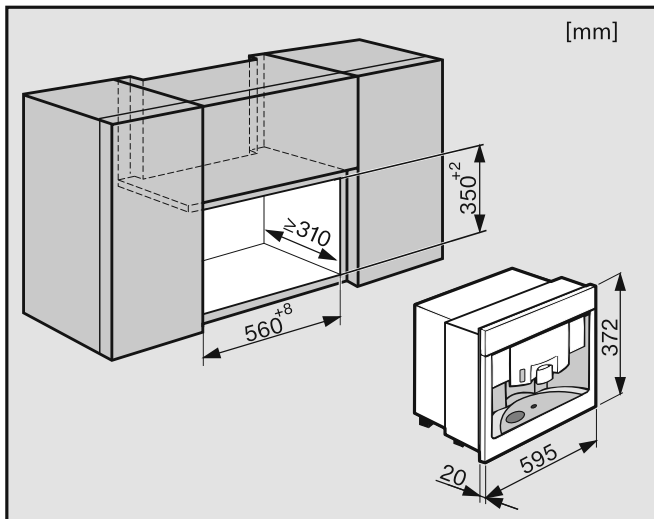
Installation

Building-in and combination options

This machine is designed to be built into a tall unit



or in a wall unit.



It can also be combined with other Miele built-in appliances. If the coffee machine is to be built in above another appliance, there must be a full-width, closed shelf between them.

Ventilation

Ensure that the back of the coffee machine is sufficiently ventilated, so that steam and warm air can dissipate freely.

Otherwise condensation can build up and damage the machine or the housing unit.

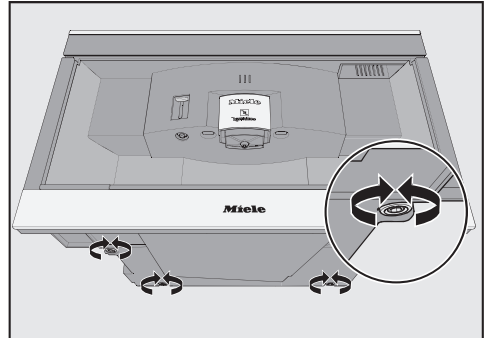
Installation

Before installation make sure that there is no power supply to the machine. This also applies should it ever need to be taken out of its housing unit.

The machine may only be used when it has been built in. It can only be used in ambient temperatures of +15 °C to +38 °C .

You will need two allen keys (size 3 and 5) for installing the machine.

Tip: It is useful to have somewhere at the height of the niche to place the machine on. This makes electrical connection easier.



- Using the large allen key, unscrew all four feet underneath the machine out by approx. 2 mm.

The feet can be unscrewed by up to approx. 10 mm.

If the furniture unit walls are 19 mm thick you will need to drill four holes in the sides for securing the machine.

To mark the position of these holes:

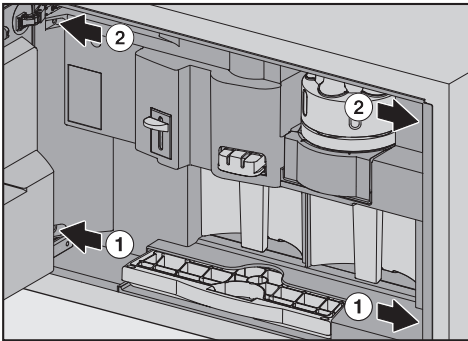
- Align the machine in the niche. Screw the side socket screws inside the machine in a little so that they make indents in the side walls, and then unscrew them again.
- Take the machine out of the niche and drill \varnothing 4.5 mm holes, approx. 2 mm deep where you made the indentations.

Installation

- Connect the machine to the electrical supply.
- Push it all the way into the niche until you feel resistance.

Take care not to damage the electrical connection, when pushing the coffee machine into the the niche.

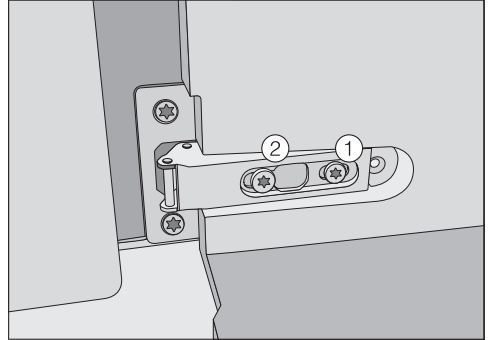
- Open the front of the machine, and partially tighten the side socket screws.



- Carefully turn the lower socket screws ① to centre the machine in the niche.
- Tighten both upper socket screws ② by hand to secure the machine in the unit. Do not overtighten them.

Adjusting the hinges

If the machine front becomes difficult to open or close after installation you can adjust the hinges to realign it:



- Turn screw ① to align the front of the machine so that it is flush with the front of the housing unit.
- Turn screw ② to align the front of the machine horizontally and vertically.

United Kingdom

Miele Co. Ltd.

Fairacres, Marcham Road

Abingdon, Oxon, OX14 1TW

Tel: 0845 365 0555, Fax: 0845 365 0777

Customer Contact Centre Tel: 0845 365 6600

E-mail: info@miele.co.uk

Internet: www.miele.co.uk

Australia

Miele Australia Pty. Ltd.

ABN 96 005 635 398

1 Gilbert Park Drive, Knoxfield, VIC 3180

Tel: 1300 464 353, Fax: (03) 9764 7149

Internet: www.miele.com.au

China

Miele (Shanghai) Trading Ltd.

1-3 Floor, No. 82 Shi Men Yi Road

Jing' an District

200040 Shanghai, PRC

Tel: +86 21 6157 3500, Fax: +86 21 6157 3511

E-mail: mieleshanghai@cn.miele.com

Internet: www.miele.cn

Miele (Hong Kong) Limited

41/F - 4101, Manhattan Place

23 Wang Tai Road

Kowloon Bay

Hong Kong

Tel: (852) 2610 1331, Fax: (852) 2610 1013

Email: mielehk@miele.com.hk

India

Miele India Pvt. Ltd.

Ground Floor, Copia Corporate Suites

Plot No. 9, Jasola

New Delhi - 110025

Tel: 011-46 900 000, Fax: 011-46 900 001

E-mail: customercare@miele.in, Internet: www.miele.in

Ireland

Miele Ireland Ltd.

2024 Bianconi Avenue

Citywest Business Campus, Dublin 24

Tel: (01) 461 07 10, Fax: (01) 461 07 97

E-Mail: info@miele.ie, Internet: www.miele.ie

Manufacturer: Miele & Cie. KG

Carl-Miele-Straße 29, 33332 Gütersloh, Germany

Miele

Malaysia

Miele Sdn Bhd

Suite 12-2, Level 12

Menara SapuraKencana Petroleum

Solaris Dutamas No. 1, Jalan Dutamas 1

50480 Kuala Lumpur, Malaysia

Phone: +603-6209-0288

Fax: +603-6205-3768

New Zealand

Miele New Zealand Limited

Unit L, 10-20 Sylvia Park Road

Mt. Wellington, 1060, Auckland, NZ

Tel: 0800 264 353, Fax: 0800 463 453

Internet: www.miele.co.nz

Singapore

Miele Southeast Asia

Miele Pte. Ltd.

163 Penang Road

04 - 02/03 Winsland House II

Singapore 238463

Tel: +65 6735 1191, Fax: +65 6735 1161

E-Mail: infosea@miele.com.sg

Internet: www.miele.sg

South Africa

Miele (Pty) Ltd

63 Peter Place, Bryanston 2194

P.O. Box 69434, Bryanston 2021

Tel: (011) 875 9000, Fax: (011) 875 9035

E-mail: info@miele.co.za

Internet: www.miele.co.za

United Arab Emirates

Miele Appliances Ltd.

P.O. Box 11 47 82

Gold & Diamond Park

Sheikh Zayed Road

Building 6 / Offices Nos. 6-214 to 6-220

Dubai

Tel: +971-4-341 84 44

Fax: +971-4-341 88 52

E-Mail: info@miele.ae, Internet: www.miele.ae

Alteration rights reserved / 1313

M.-Nr. 09 549 580 / 00

CVA 6431, CVA 6431 C



Free Manuals Download Website

<http://myh66.com>

<http://usermanuals.us>

<http://www.somanuals.com>

<http://www.4manuals.cc>

<http://www.manual-lib.com>

<http://www.404manual.com>

<http://www.luxmanual.com>

<http://aubethermostatmanual.com>

Golf course search by state

<http://golfingnear.com>

Email search by domain

<http://emailbydomain.com>

Auto manuals search

<http://auto.somanuals.com>

TV manuals search

<http://tv.somanuals.com>