

Operating instructions




Oven H 394

To prevent accidents
and machine damage,
read these instructions
before installation or use.



M.-Nr. 06 189 710

Contents

IMPORTANT SAFETY INSTRUCTIONS	4
Guide to the oven	7
Guide to the display	8
Oven accessories	9
Wire rack	9
Roasting pan	9
Anti-splash tray	9
Grease filter	10
Slide opener	10
Locking the oven	11
Using the oven display	12
SETTINGS	13
Language 	14
Clock	14
Temperatures	15
Oven Light	16
Temperature °F/°C	16
Display	16
Tone Options	17
Reset	19
Before using the oven	20
Using the oven	22
Selecting a function	22
Adjusting the oven temperature	23
Preheating	24
Delay Start	25
Desired End Time	26
Interrupting cooking	27
Turning off the oven	27
At the end of cooking	27
Setting the timer	28
Guide to the functions	29
BAKE	30
ROAST	35
Roasting tips	38
BROIL	39
FAVORITES	42

SABBATH	43
DEHYDRATE	44
PROOF	45
DEFROST	46
Defrosting tips	46
Cleaning	47
PerfectClean	48
Removing the oven door	50
Removing the runners	51
Lowering the upper heating element	52
Catalytic liners	53
Changing the light bulb	55
Frequently asked questions	58
Technical Service	59
Optional accessories	60
Caring for the environment	62
Disposal of the packing materials	62
Disposal of an old appliance	62
Electrical connection	63
Appliance and Cut-out Dimensions	64
Installing the oven	65

IMPORTANT SAFETY INSTRUCTIONS

This appliance is intended for residential use only.

Only use the appliance for its intended purpose. The manufacturer can not be held responsible for damages caused by improper use of this oven.

This appliance complies with current safety requirements. Improper use of the appliance can lead to personal injury and material damage.

Read all instructions before installing or using the oven for the first time.

Keep these operating instructions in a safe place and pass them on to any future user.

Installation

■ Before installation, make sure that the voltage and frequency listed on the data plate correspond with the household electrical supply. This data must correspond to prevent injury and machine damage. Consult a qualified electrician if in doubt.

■ Be certain your appliance is properly installed and grounded by a qualified technician.

To guarantee the electrical safety of this appliance, continuity must exist between the appliance and an effective grounding system. It is imperative that this basic safety requirement be met. If there is any doubt, have the electrical system of the house checked by a qualified electrician.

The manufacturer can not be held responsible for damages caused by the lack, or inadequacy of, an effective grounding system or the failure to adhere to national and local electrical codes.


■ The oven is not to be operated until it has been properly installed within cabinetry.

■ Installation, maintenance and repair work should be performed by an authorized service technician. Work by unqualified persons could be dangerous and may void the warranty.

■ Before installation or service, disconnect the power supply to the work area by removing the fuse, "tripping" the circuit breaker, or shutting off the power main.

IMPORTANT SAFETY INSTRUCTIONS

Oven use

 **WARNING:** Ovens can produce high temperatures that can cause burns.

- Prevent children from touching the appliance when in use.
- Use heat-resistant oven mitts when placing items in the oven, turning them, or removing them from the oven. The upper heating element and oven racks can become very hot and cause burns.
- To prevent burns, always place oven racks at their desired height while the oven is cool.
- Always open the door carefully. Allow hot air or steam to escape before placing or removing food.
- To prevent burns, allow the heating element to cool before cleaning by hand.
- Only clean parts listed in this manual.
- Caution: Heating elements may be hot even though they are not glowing. During and after use, do not let clothing or other flammable materials come in contact with heating elements or interior surfaces of the oven until they have had sufficient time to cool. External parts of the oven such as the door glass, vents, and control panel can become hot.
- The door gasket is essential for a good seal. Care should be taken not to rub, damage or move the gasket. The door gasket should only be cleaned with a solution of warm water and soap.
- Do not block oven vents.
- Do not let metal objects (aluminum foil, metal pans) or the meat probe come in contact with the heating element.
- Do not slide pots or pans on the oven floor. This could scratch and damage the surface.
- Do not lean, sit, or place heavy items on the open oven door.
- Do not heat unopened containers of food in the oven, as pressure may build up and cause them to explode.
- Never add water to food on a hot tray or pan or directly onto food in a hot oven. The steam created could cause serious burns or scalds.
- This oven must only be used for cooking. Do not use it as a dryer, kiln, dehumidifier, etc. Due to the heat generated in the catalytic converter of the oven, any fumes or vapors given off by glues, plastics or other non-food items could ignite and cause property damage or injury.
- Flammable liquids and materials should never be stored in, above or under an oven, or near cooking surfaces.

IMPORTANT SAFETY INSTRUCTIONS

General notes

■ Do not use a steam cleaner to clean the oven. Steam could penetrate electrical components and cause a short circuit.

■ Children should not be left alone or unattended in an area where an oven is in use. Never allow children to sit or stand on any part of the oven.

Caution: Do not store items of interest to children in cabinets above an oven. Children climbing on the oven to reach these items could be injured.

■ Do not leave the oven unattended when cooking with oils or fats, they can be a fire hazard if overheated.

■ Do not use water on grease fires! Smother the fire with a properly rated dry chemical or foam fire extinguisher.

■ Wear proper clothing. Loose-fitting or hanging garments should never be worn while using the oven.

■ Do not use the oven to heat the room.

■ Make certain that the power cords of small appliances do not come in contact with or get caught in the oven door.

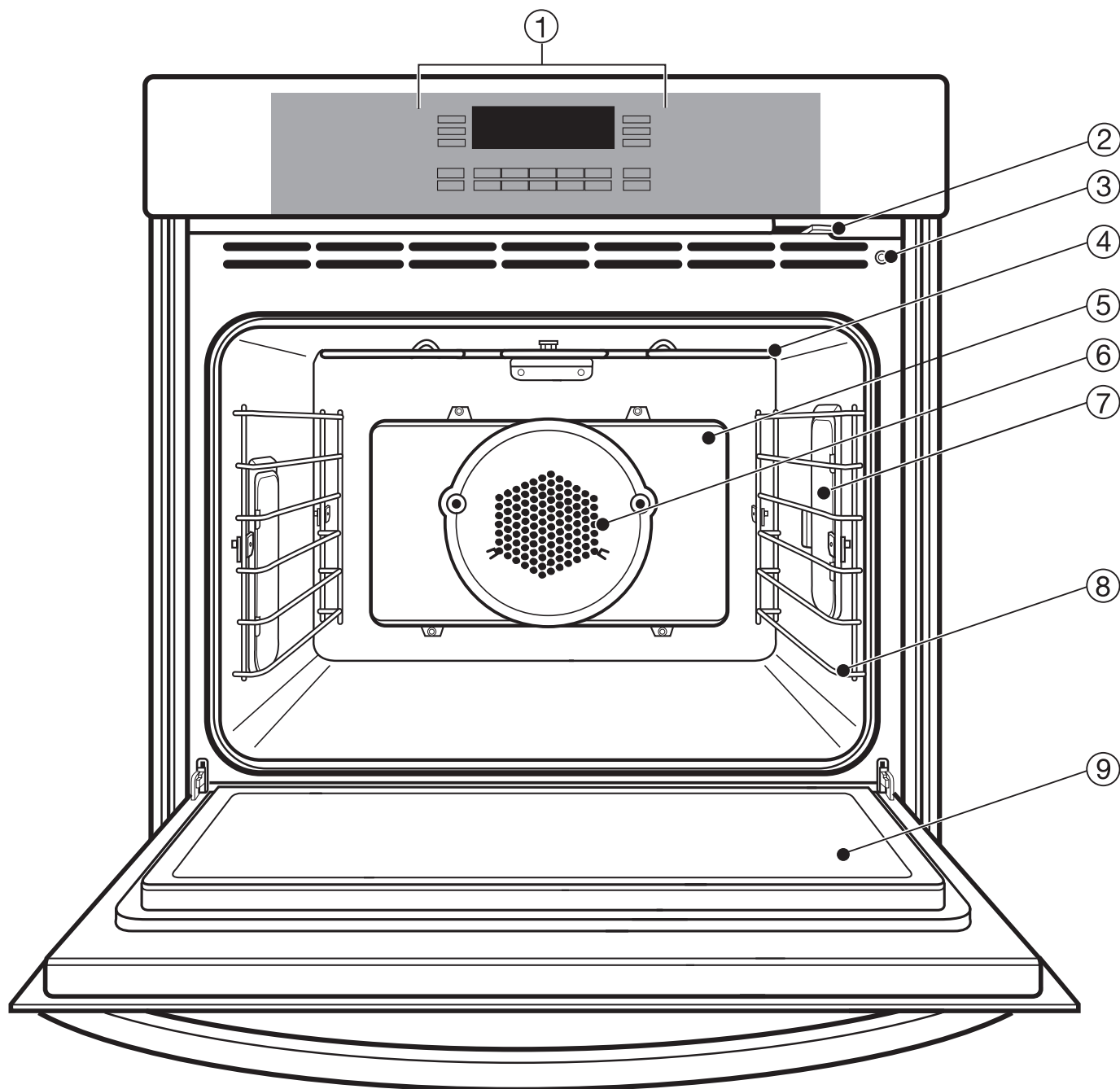
■ Use only dry, heat resistant potholders. Moist or damp potholders used on hot surfaces may result in steam burns. Do not let potholders come in contact with oils. Do not substitute towels or other bulky items for potholders.

■ Always make sure food is cooked thoroughly before eating.

■ It is recommended to cover all cooked food that is left in the oven to be kept warm. This will prevent moisture from condensing on the interior of the oven.

Disposal of an old oven

■ When discarding an old oven, disconnect it from the power supply and cut off the power cord. Remove the door to prevent trapping hazards.



① Control panel

② Child safety lock

③ Door contact switch*

④ Upper heating element

⑤ Catalytic liner

⑥ Convection fan

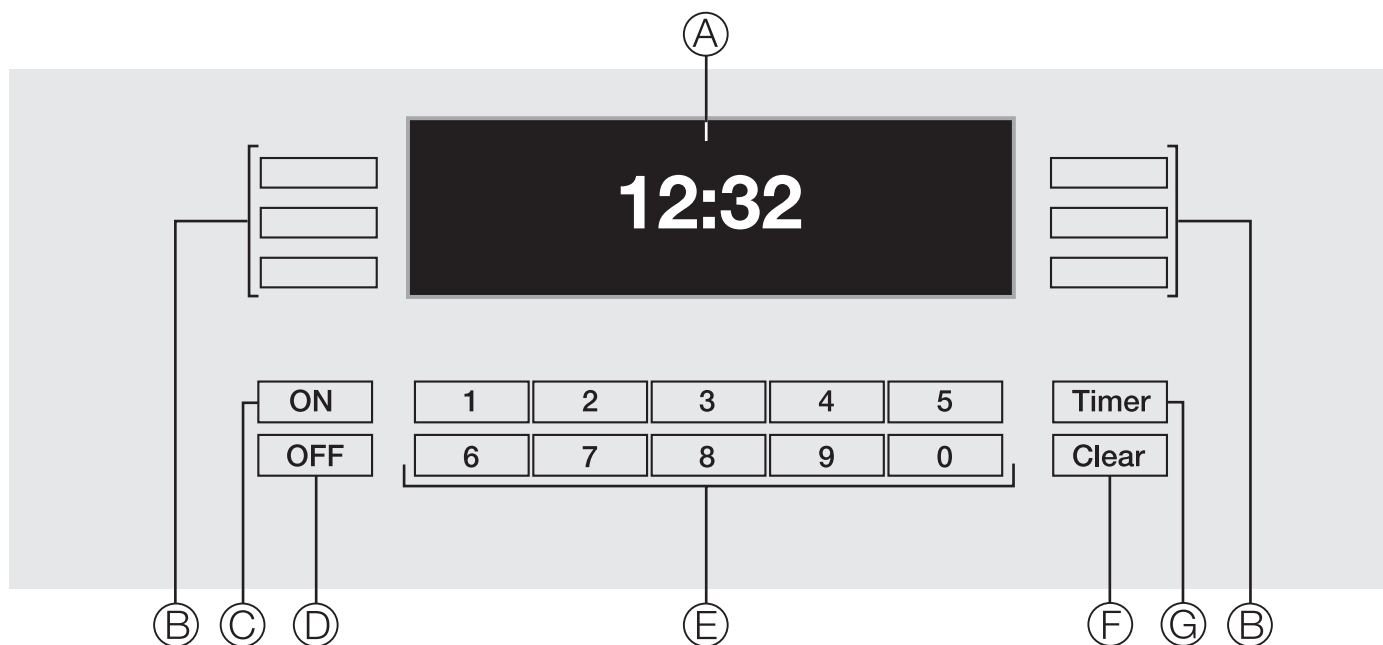
⑦ Light

⑧ Non-tip, six level runners

⑨ Oven door

*This switch shuts off the heating element and convection fan when the door is opened during use.

Guide to the display



Ⓐ Display

shows the time or the functions.

Ⓑ Touch controls

to select or set a function.

Ⓒ "ON" touch control

to turn the oven on.

Ⓓ "OFF" touch control

to turn the oven off.

Ⓔ Keypad

to enter times or temperatures.

Ⓕ "Clear" touch control

to delete the last entry or to clear menu items.

Ⓖ "Timer" touch control

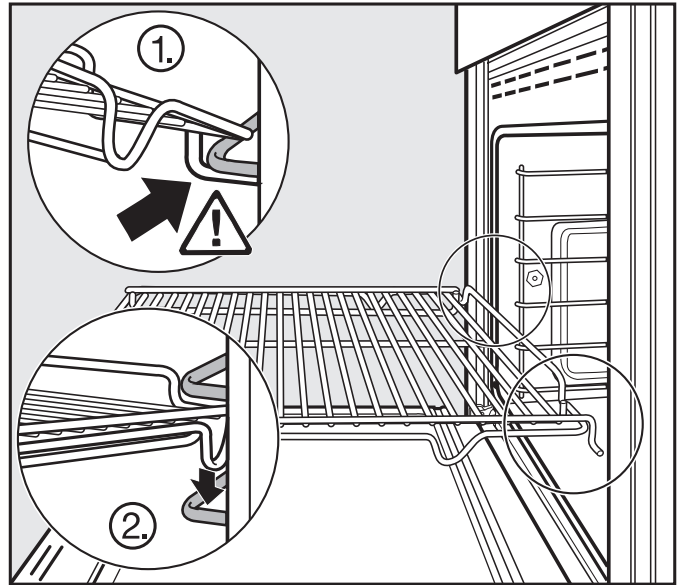
to set a timer independent of an oven function.

Wire rack

The racks have non-tip safety notches which prevent them from being pulled out completely while the oven is in use.

When inserting a rack, always check that the safety notches are at the rear of the oven.

The rack can only be removed by raising it upwards and then pulling out.

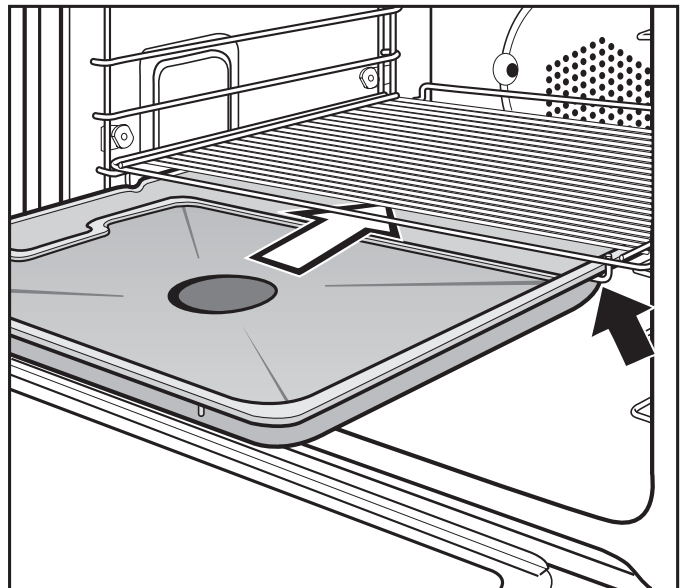


Roasting pan

The roasting pan is ideal for catching drippings from meat or poultry roasted or broiled directly on the rack. Slide the roasting pan onto the rail below the wire rack. See illustration.

It can also be used as a baking tray.

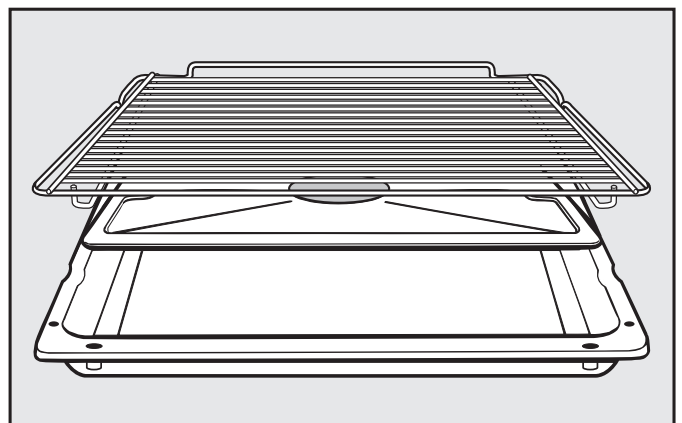
The roasting pan is coated with PerfectClean enamel and can be easily cleaned with a sponge and dish soap.



Anti-splash tray

The anti-splash tray may be placed in the roasting pan to reduce splattering of drippings from meat or poultry.

The anti-splash tray is coated with PerfectClean enamel and can be easily cleaned with a sponge and dish soap.

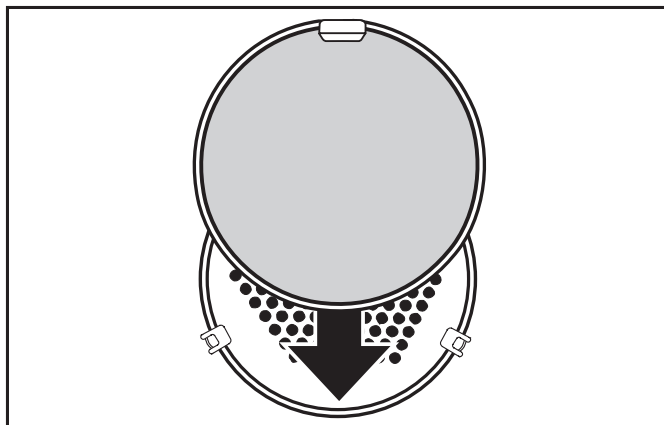


Oven accessories

Grease filter

The filter helps to keep the oven fan clean from moisture and grease.

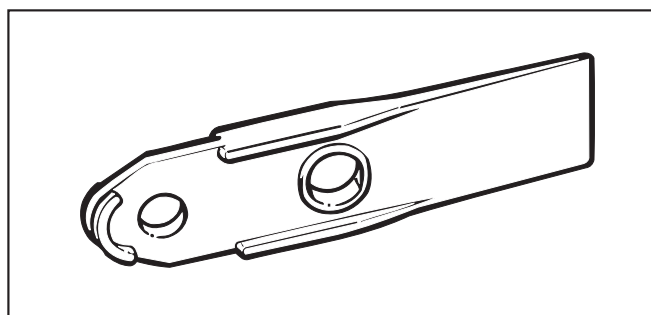
When roasting or broiling, insert the grease filter in front of the fan opening.



Slide opener

The slide opener is necessary for removing the light cover when changing a light bulb.

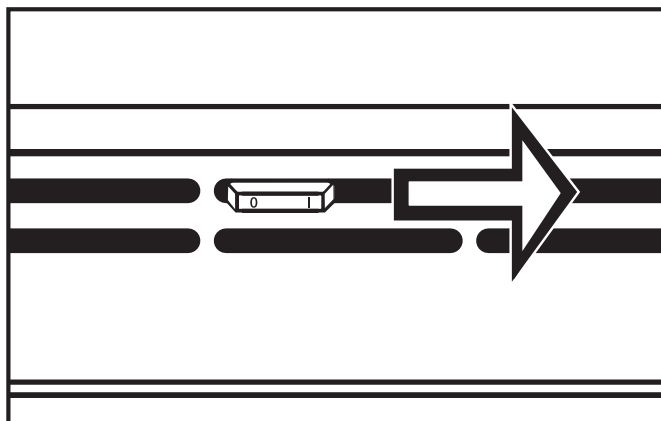
The flat end of the slide opener is wedged beneath the light cover to pry it off.



Child safety lock

The child safety lock can be activated to prevent children from operating the oven or to conserve standby power when the oven will not be used for some time (e.g. vacation).

The child safety lock is located below the right side of the control panel, only visible when the door is open.



To activate the child safety lock:

- Slide the lock to position "0".

The oven can not be operated now.
The clock will not be displayed.

To deactivate the child safety lock:

- Slide the lock to position "1".

The oven can now be used.
The clock will be displayed.

Note: If the child safety lock is activated for more than 4 days, the oven clock will have to be reset.

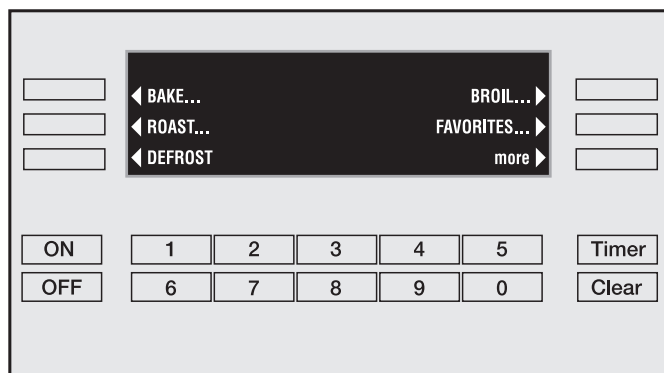
Using the oven display

This oven uses soft key technology and an LCD display for the selection of a function.

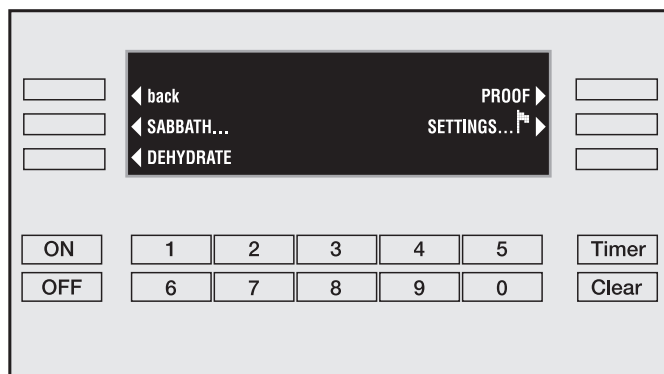
To select a function, touch the control next to the displayed function. The arrow next to each function points to its corresponding control.

- Touch the "ON" control to activate the display.

Additional functions are displayed by touching the "more" control.

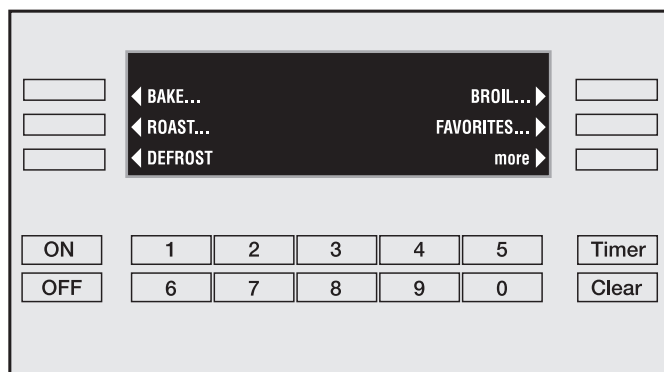


The previous display can be recalled by touching the "back" control.



Dots after a function indicate a sub-menu.

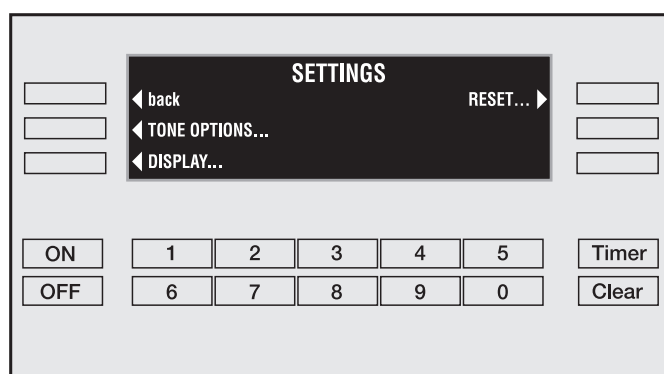
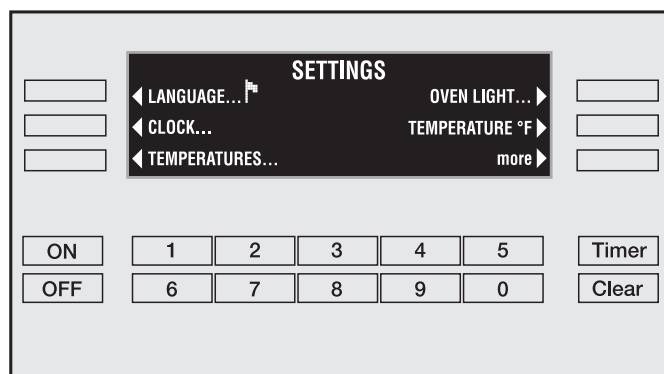
The sub-menu will appear when the function is selected.



SETTINGS

The default oven settings can be changed in the function "SETTINGS". In this function you can customize the oven to suit your preferences. Settings may be adjusted by touching the appropriate touch control.



Available settings:

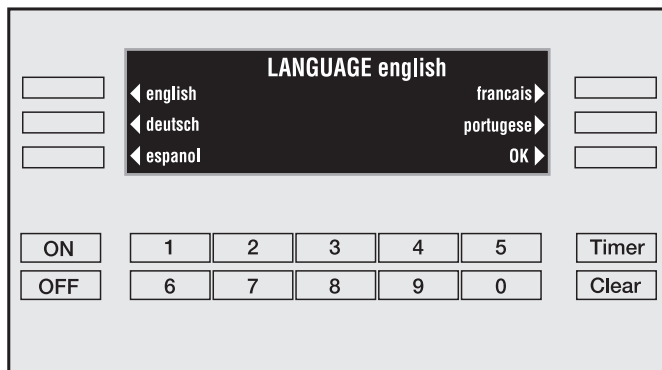


SETTINGS

Language

- Select the touch control next to the desired language and confirm by touching "OK".

The  symbol indicates the "Language" setting. If you accidentally select an unfamiliar language, simply look for the  symbol. Touch the control next to the flag symbol and select your language of choice.



Clock

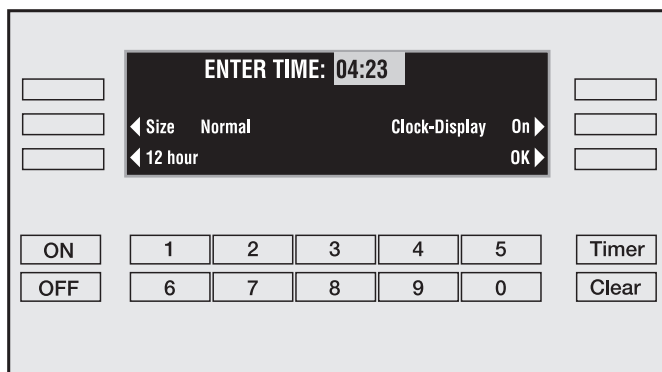
"Enter Time" appears in the display.

- Enter the current time using the keypad.

Different settings can be selected by touching the control next to the option:

- the size of the clock display
 - Size Normal
 - Size Large
 - the time format
 - 12 hour
 - 24 hour
 - whether or not the time is displayed
 - Clock-Display On
 - Clock-Display Off
- Touch the "OK" control to confirm the entries.

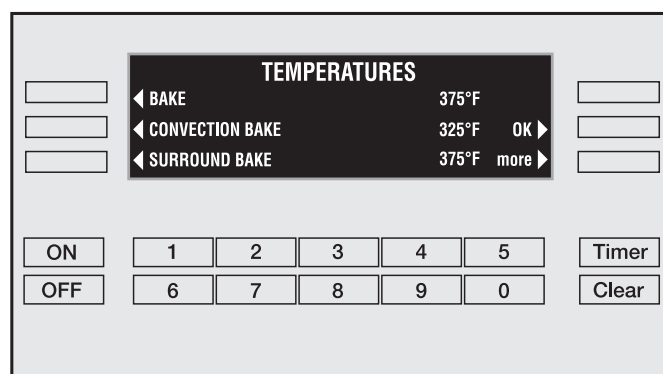
If power to the oven is cut off for more than 4 days, the clock will have to be reset.



Temperatures

The default temperature of each function can be adjusted within the range shown below. If a temperature out of the range is selected, the oven will revert to the default temperature.

- Touch the control of the function whose default temperature you wish to alter.
- Enter the new default temperature using the keypad.



The next time this function is selected, the new temperature will be used.

Function	°F		°C	
	default	range	default	range
Bake	375 °F	200-500°F	190 °C	100-260°C
Convection Bake	325 °F	125-500°F	160 °C	50-260°C
Surround Bake	375 °F	125-550°F	190 °C	50-290°C
Browning	375 °F	200-500°F	190 °C	100-260°C
Intensive	325 °F	200-500°F	160 °C	100-260°C
Auto Roast	325 °F	200-425°F	160 °C	100-210°C
Convection Roast	325 °F	125-500°F	160 °C	50-260°C
Surround Roast	400 °F	175-550°F	200 °C	80-290°C
Broil	no default	400-575°F	no default	200-300°C
Maxi Broil	no default	400-575°F	no default	200-300°C
Convection Broil	no default	200-500°F	no default	100-260°C
Defrost	75 °F	75-125°F	25 °C	25-50°C

SETTINGS

Oven Light

The "on" duration of the oven light can be altered.

- Touch the control of the light setting you wish to choose.

– "Off after 1 minute"

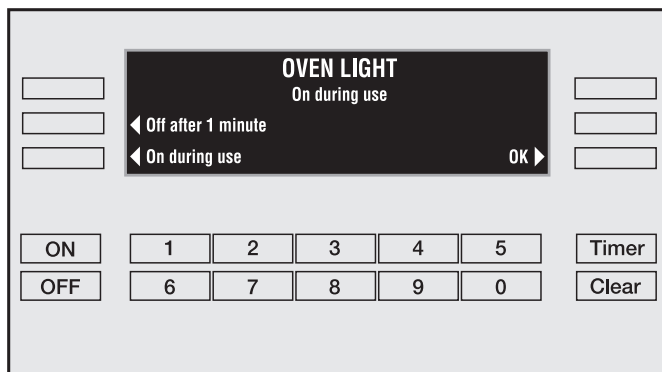
The light goes off after the first minute of a function.

– "On during use"

The oven light remains lit during a function.

The selected setting will appear in the display.

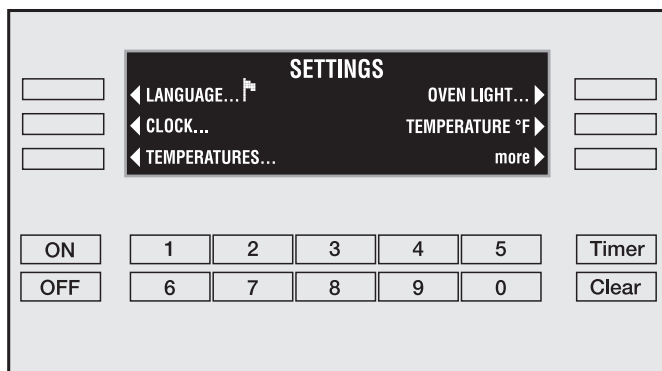
- Touch the "OK" control to confirm the selection.



Temperature °F/°C

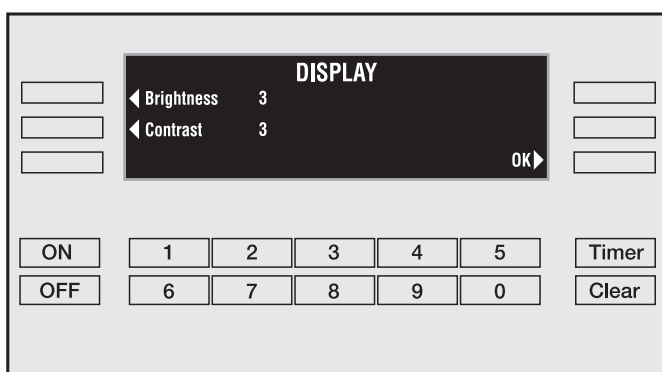
All oven temperatures can be displayed in either Fahrenheit or Celsius degrees.

- Touch the "TEMPERATURE" control to toggle between °F and °C.



Display

The brightness and contrast of the oven display can be adjusted by touching the controls next to "Brightness" and "Contrast".



Tone Options

Unique tones may be set for each of the two timers to differentiate the timers from an oven function tone.

"Timer 1" and "Timer 2"

The tone of Timer 1 and Timer 2 can be set to one of five tone options.

- Select "Timer 1 Tone" or "Timer 2 Tone" by touching the corresponding control to the left.

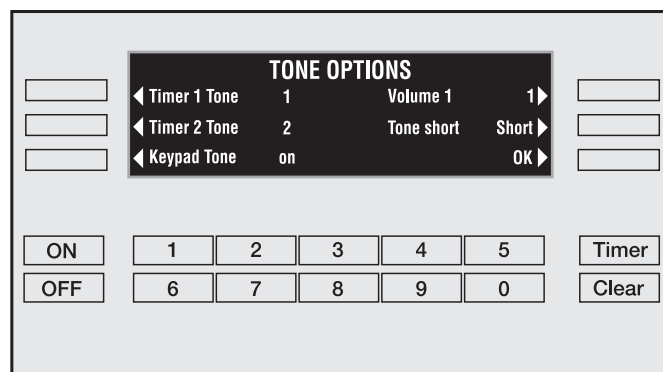
With every touch on the respective control, another tone will sound and the display will show the tone number. For example, Timer1 Tone1.

- Select the tone for each timer.

"Keypad Tone on/off"

The keypad can be set to make a sound with every touch of a control.

- Touch the "Keypad tone" control to toggle between the on and off settings.



SETTINGS

"Volume"

This control adjusts the volume of the tone options.

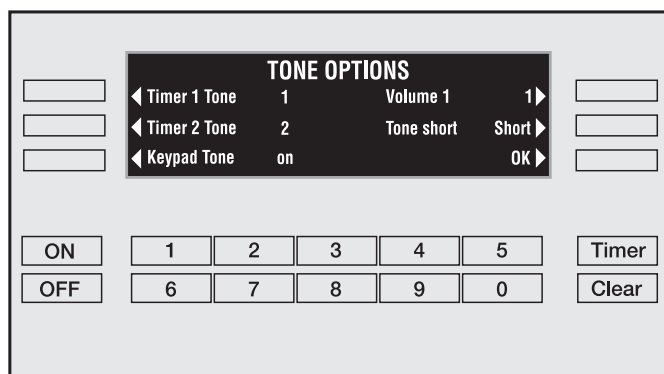
- Touch the "Volume" control until you hear the desired volume.

"Tone short/long"

The duration of the timer and oven tones can be modified.

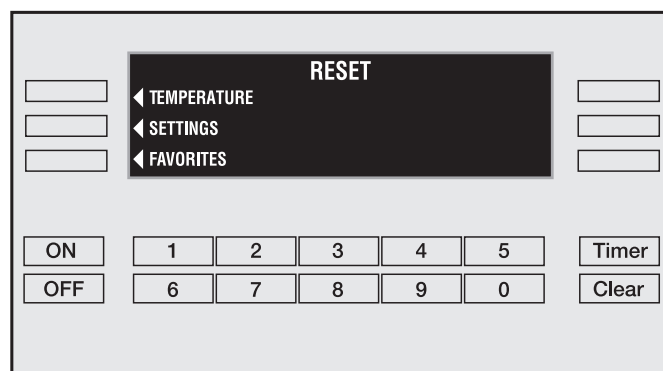
- "Tone short" will beep in quick succession when an oven signal or the oven timer sounds.
- "Tone long", a continuous tone will sound when an oven signal or the oven timer sounds.
- Touch the "Tone" control to toggle between the short and long setting.
- Touch the "OK" control to confirm the "TONE OPTIONS" entries.

When the tone sounds to indicate an oven signal or the timer, touch any number on the keypad to turn off the tone.



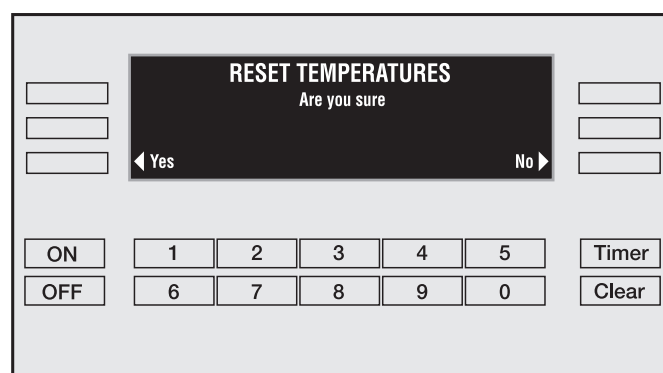
Reset

The factory settings of the oven can be restored through the "RESET" function.



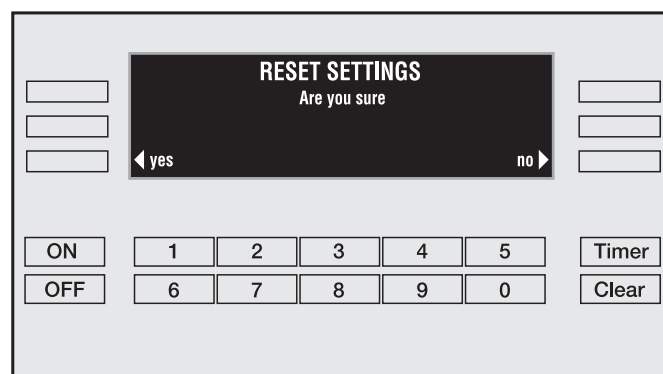
Reset Temperatures

If the request is confirmed with "yes", all changed temperatures will be restored to the factory default setting.



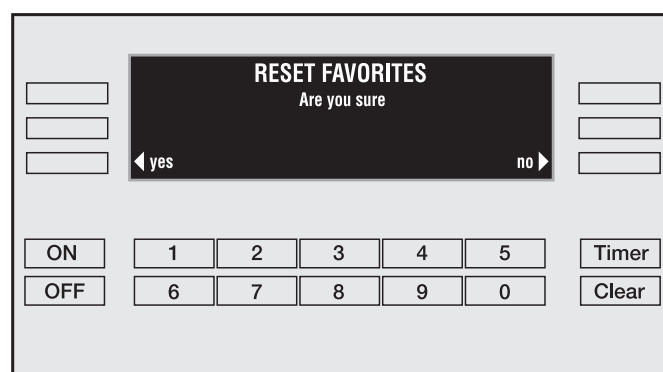
Reset Settings

If the request is confirmed with "yes", all changed settings will be restored to the factory default settings.



Reset Favorites

If the request is confirmed with "yes", all "favorite" entries will be deleted. Once deleted, these entries can not be restored.



Before using the oven

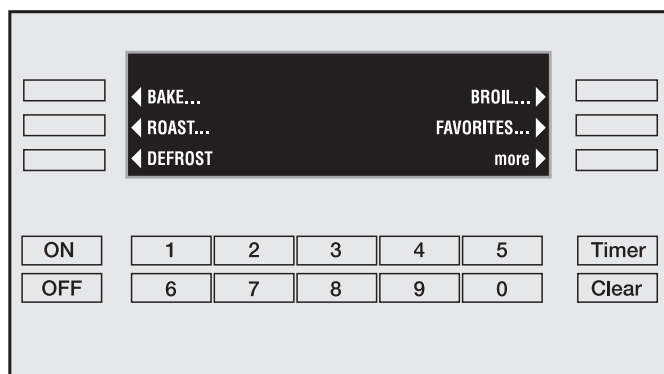
Heat the oven

New ovens may have a slight odor during the first few uses. To eliminate the odor quickly, the oven should be operated at a high temperature for 2 hours.

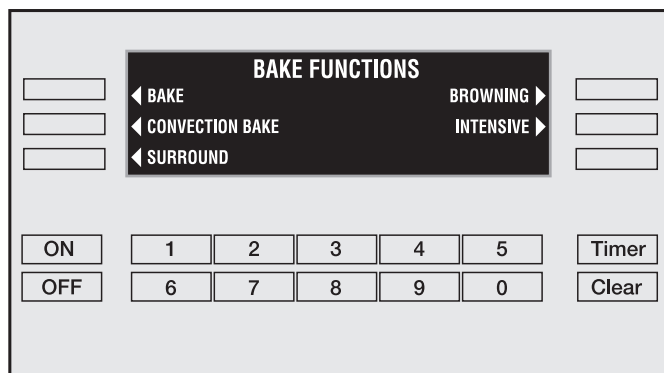
Before heating the oven, remove all accessories and labels from the oven.

Make sure the room is well ventilated during this process.

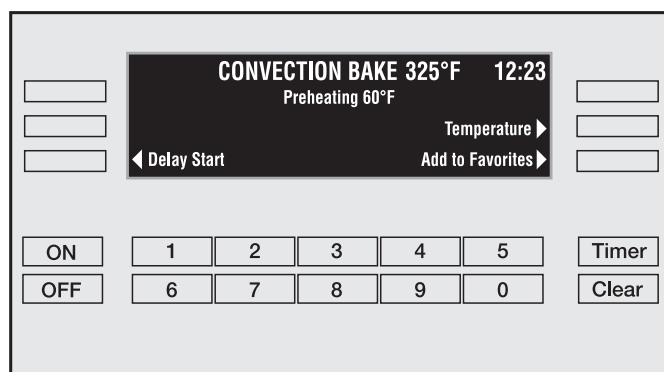
- Touch the "ON" control.
- Select function "BAKE".



- Select "CONVECTION BAKE".

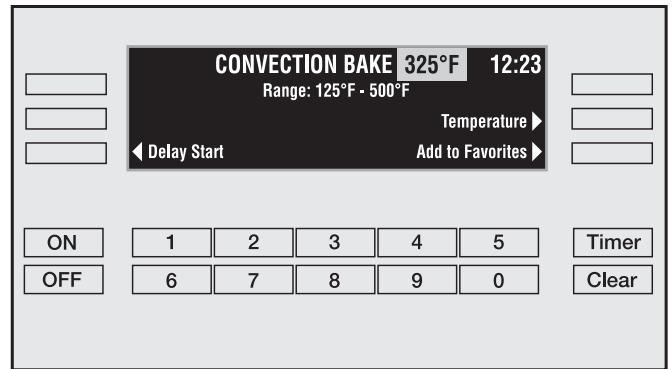


- Select "Temperature".

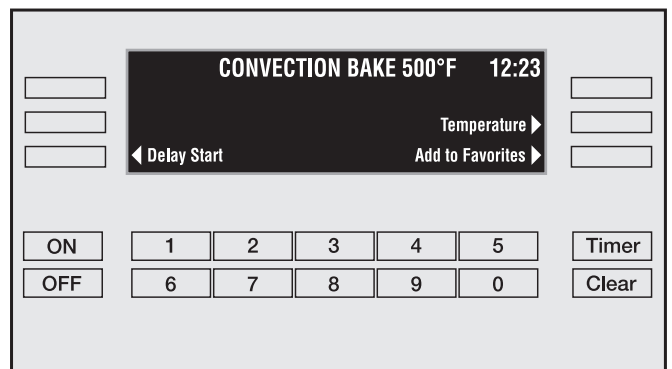


Before using the oven

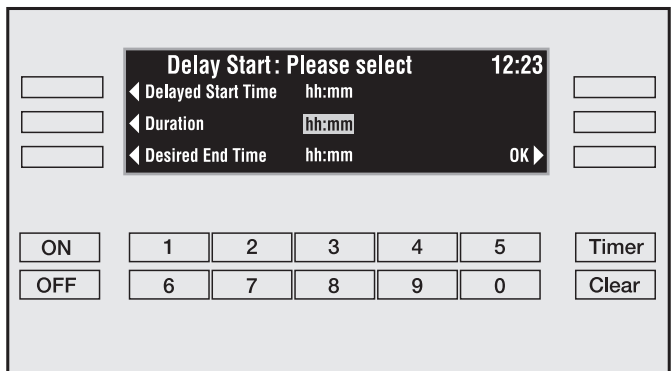
- Set the temperature to 500°F (260°C) using the keypad.



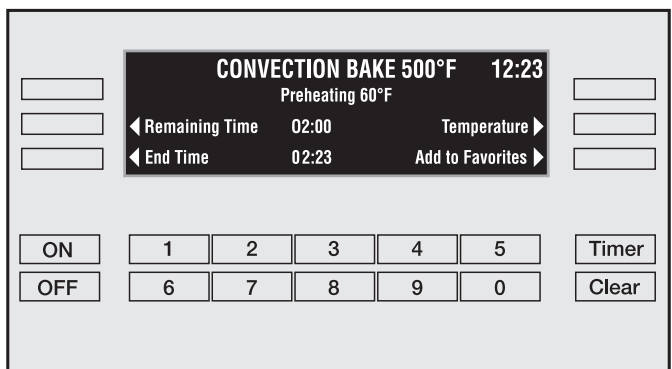
- Set the timer to run the oven for 2 hours by touching the "Delay Start" control.



- Select "Duration". Set the duration by entering "2", "0", "0" using the keypad.
- Touch the control to the right of "OK".



The oven will run for 2 hours and the count down will appear in the display.



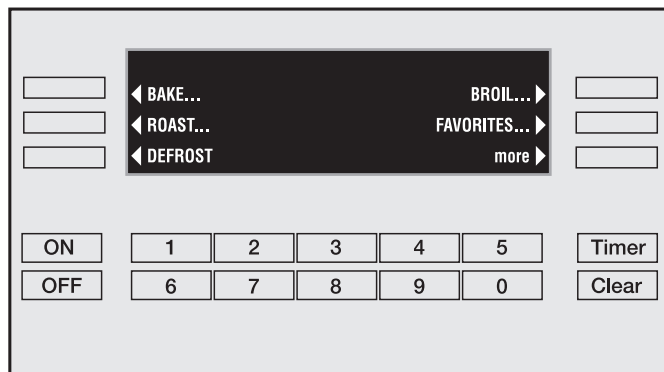
Using the oven

Selecting a function

■ Touch the "ON" control to activate the display.

■ Touch the control next to the function you wish to select.

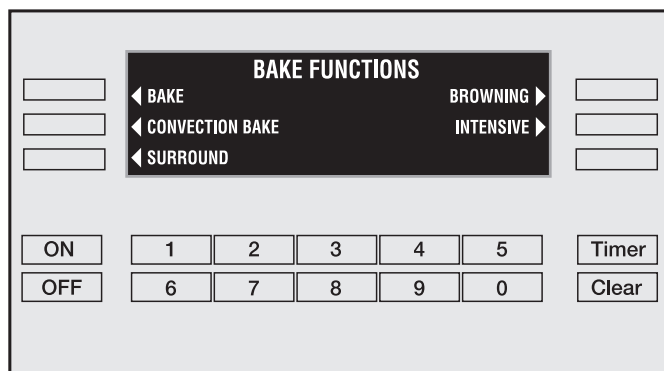
For example, touch the control to the left of the word "BAKE" to select this function.



The "BAKE" function submenu will appear in the display.

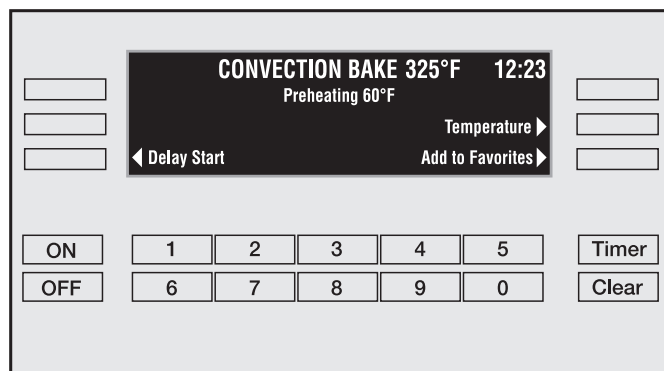
■ Touch the control next to the submenu function you wish to select.

For example, touch the control left of "CONVECTION BAKE".



The "CONVECTION BAKE" function will appear in the display.

The default temperature of 325 °F (160 °C) will be displayed next to the function name.



Adjusting the oven temperature

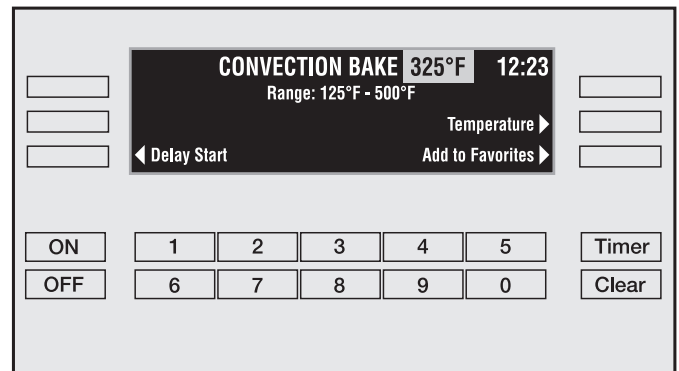
This oven has been factory tested for the optimum operating temperature of each function. This temperature can be adjusted if needed.

- Touch the control to the right of "Temperature".

The temperature will be highlighted in the display.

- Enter the new temperature using the keypad.

The oven will heat to the adjusted temperature.



Using the oven

Preheating

For proper cooking results, most recipes call for a preheated oven.

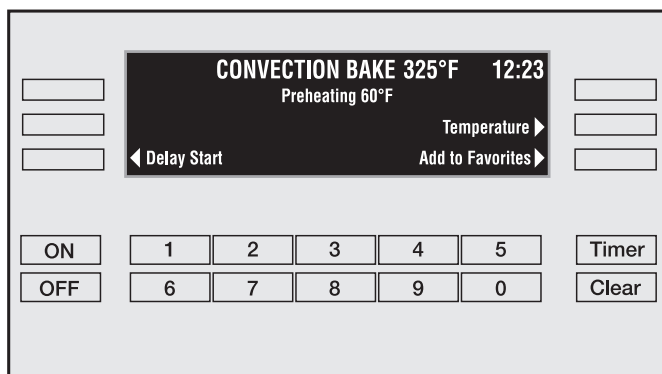
After a temperature has been selected, the rising temperature can be viewed in the display.

"Preheating" will show in the display until the oven has reached the selected temperature.

A tone will sound once the oven has finished preheating.

- Place the food in the oven once the temperature has been reached.

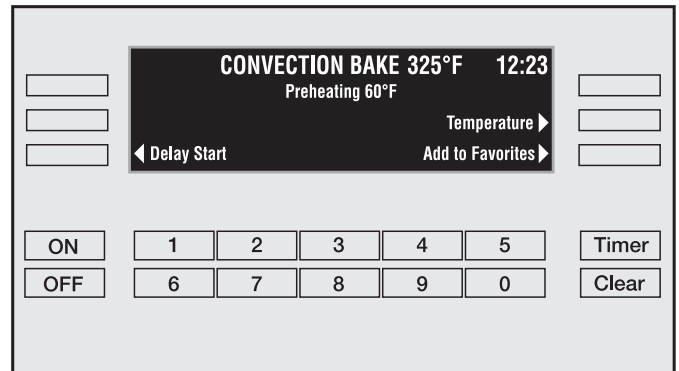
The oven should not be preheated when using "AUTO ROAST".



Delay Start

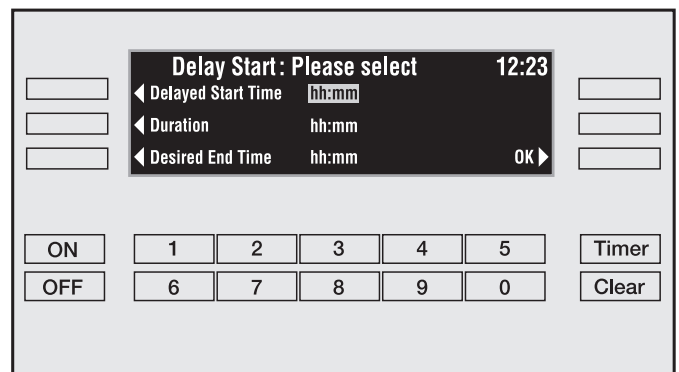
This feature allows you to delay the start of a function, from 1 minute to 23 hours 59 minutes, so that the cooking process begins at a specified time.

- Touch the control left of "Delay Start".



- Touch the control to the left of "Delayed Start Time" and enter a start time.

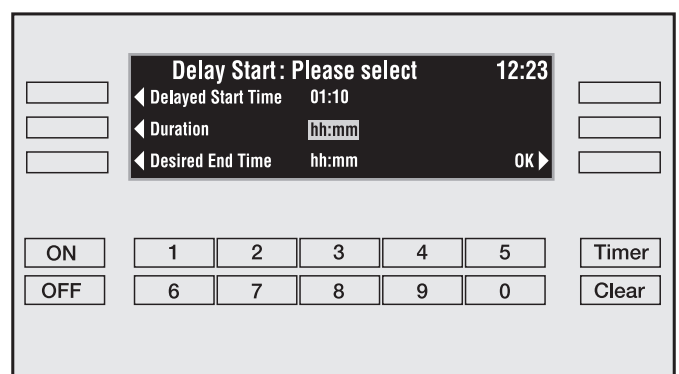
For example, "01:10" for the function to start cooking at 1:10.



- Touch the control to the left of "Duration" and enter the cooking time.

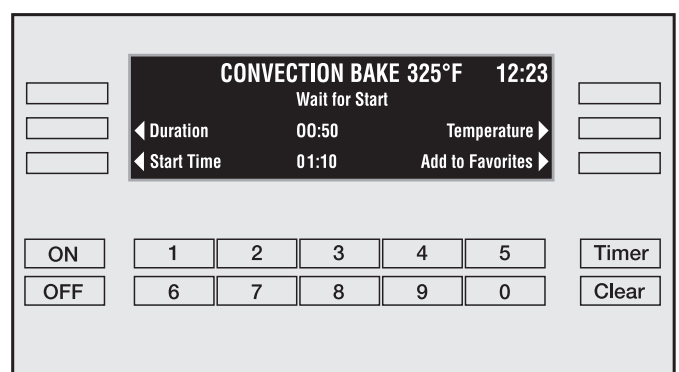
For example, "00:50" for the function to run 50 minutes.

The "duration" must be entered for this feature to operate correctly.



- Confirm the entries by touching the "OK" control or cancel by touching "Clear".

The end time will automatically be calculated.

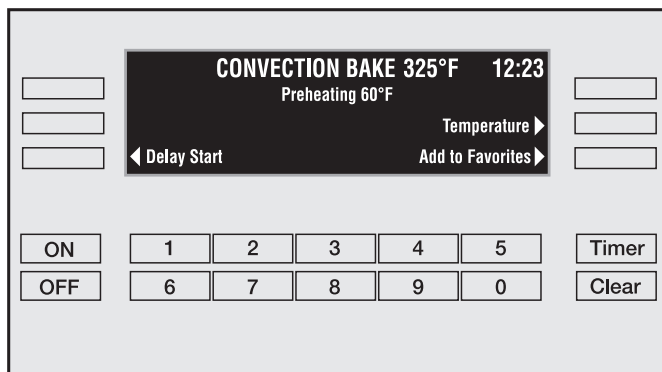


Using the oven

Desired End Time

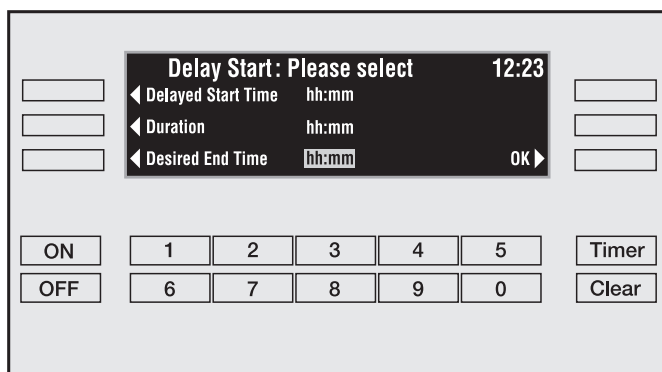
The desired end time allows you to set the actual time you would like cooking to complete. This time is limited to 24 hours from the current time.

- Touch the control left of "Delay Start".



- Touch the "Desired End Time" control and enter the desired end time.

For example, "02:15" for the function to finish cooking at 2:15.

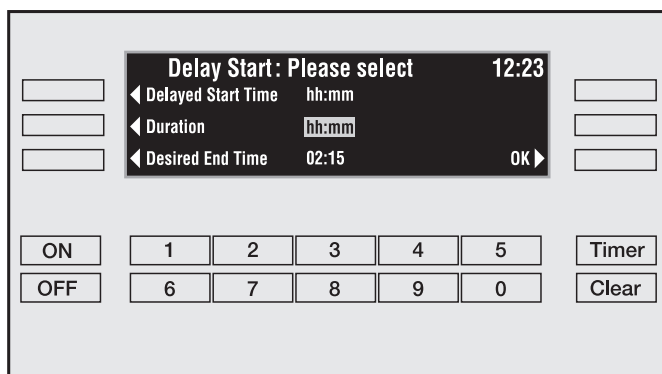


- Touch the "Duration" control and enter the cooking time.

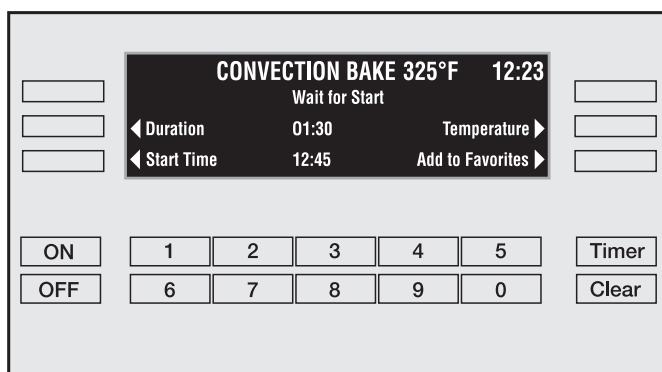
For example, "01:30" for 1 hour and 30 minutes.

If a duration time is entered, a delayed start time will automatically be calculated.

If no duration time is entered, the oven will calculate a duration based on the current time.

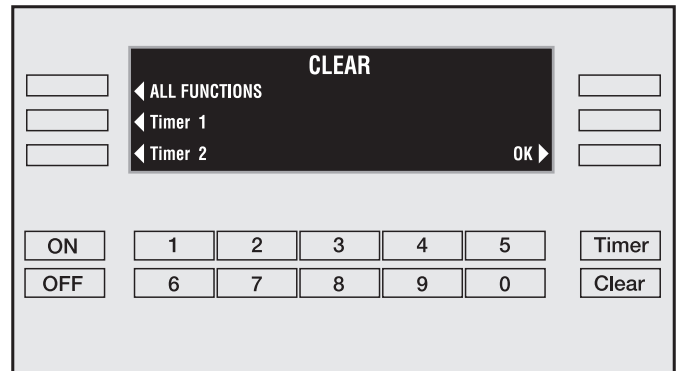


- Confirm the entry by touching the "OK" control or cancel by touching "Clear".



Interrupting cooking

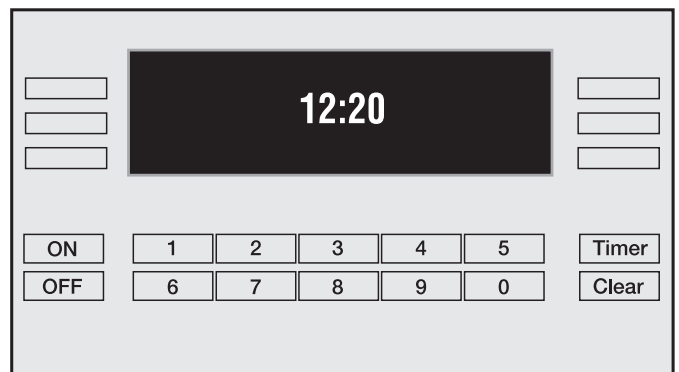
- Touch the "Clear" control.
- Select which option you wish to clear.



Turning off the oven

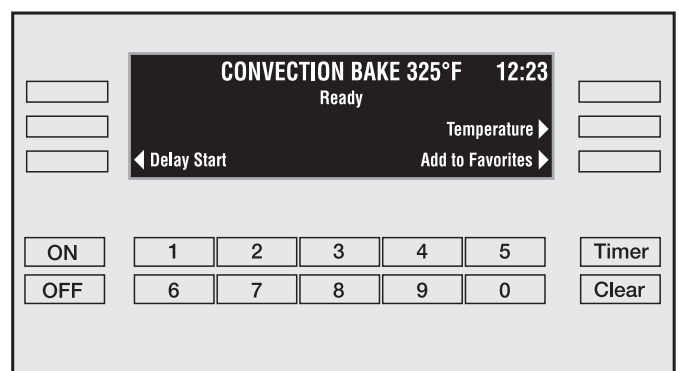
- Touch the "OFF" control.

The oven will turn off and the time of day will appear in the display.



At the end of cooking

- a tone will sound.
- "Ready" will appear in the display under the function name.
- the oven will shut off automatically.



Setting the timer

Setting a timer

The timer can be used to time any activity in the kitchen and can be set independently of a cooking function.

Two alarms (Timer1 and 2) can be selected simultaneously.

A maximum time of 99 minutes and 59 seconds can be selected.

To set a timer:

- Touch the "Timer" control.
- Use the keypad to enter the desired time in minutes and seconds.

The second timer can be set in the same way as the first.

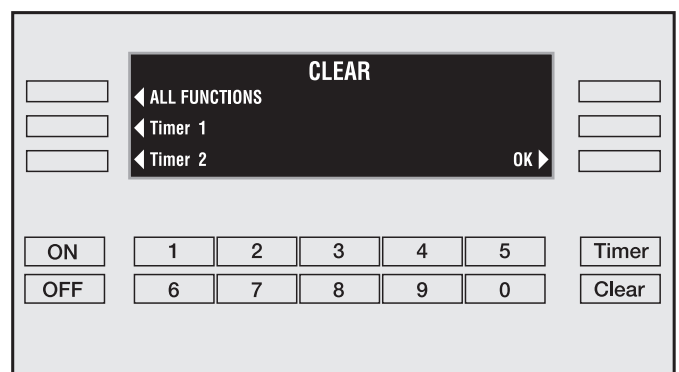
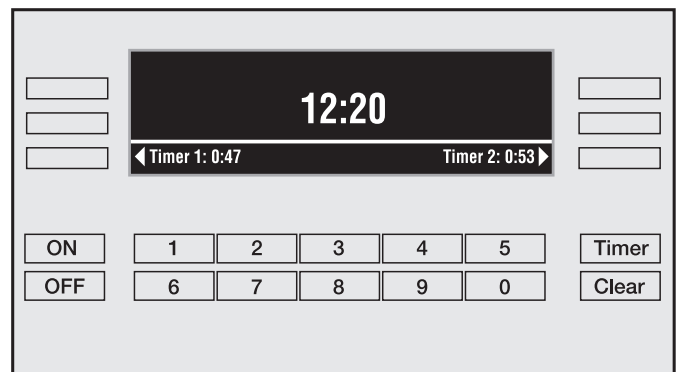
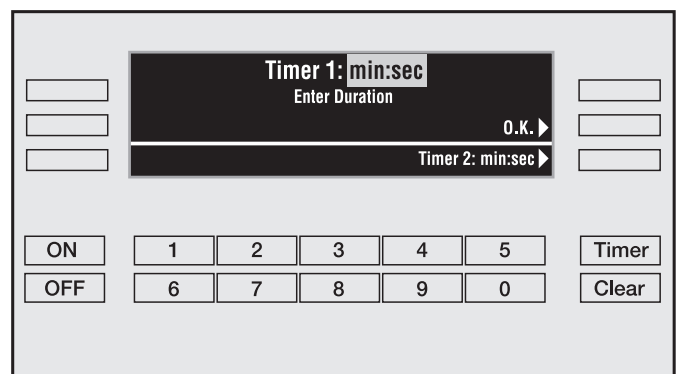
The count down of Timer 1 and 2 is shown in the lower area of the display.

At the end of the timed period, a tone sounds.

- Touch "Clear" to cancel the timer tone.

To cancel the timer:

- Touch the "Clear" control.
- Touch the control for the timer to be cancelled or to cancel both timers and a running function touch "ALL FUNCTIONS".
- Touch "OK".





Guide to the functions

BAKE

BAKE

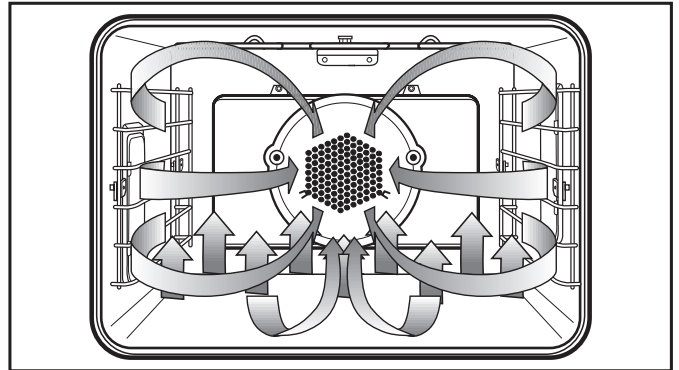
Default temperature 375°F (190°C)

The "BAKE" function works by heating food from below. This is similar to the "bake mode" of a conventional oven.

Use this function for:

- cakes,
- baked apples,
- quick breads,
- spare ribs.

The recommended positions are the 2nd or 3rd runners from the bottom.



CONVECTION BAKE

Default temperature 325°F (160°C)

This function actively circulates heated air throughout the oven cavity for a constant baking temperature.

Use this function for:

- cookies, cakes
- soufflés, casseroles, quiche
- frozen dinners
- salmon, lobster tails
- meat loaf, prime rib

When using the convection function, several runner levels can be used at the same time.

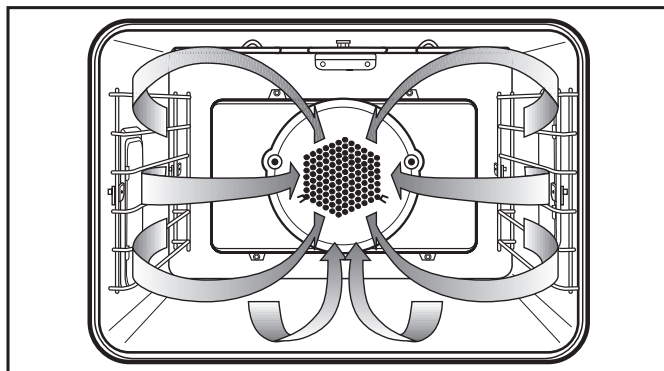
The recommended positions are:

1 tray = 1st runner from the bottom

2 trays = 1st and 4th runners
from the bottom

3 trays = 1st, 3rd and 5th runners
from the bottom

When baking 3 trays of cookies or small cakes at the same time, remove the respective tray when the desired browning is reached.



As a general rule, the temperature of a recipe not designed for baking in a convection oven should be lowered by 25 °F (15 °C.)

Remember to remove the grease filter from the fan opening when baking pastries. If the filter is not removed, increase the baking time.

BAKE

SURROUND

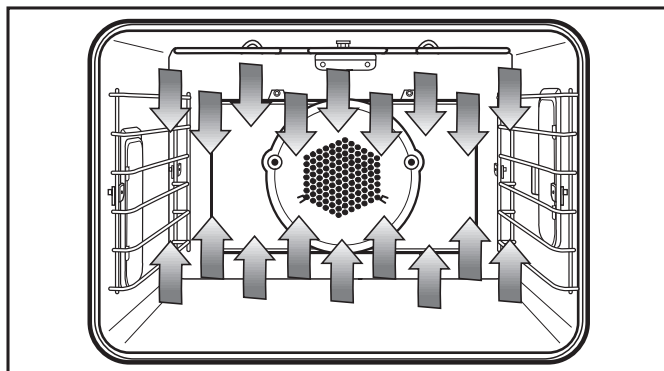
Default temperature 375°F (190°C)

The "SURROUND" function is a premium conventional baking mode. The oven heats with both the upper and lower heating elements without the convection fan.

Use this function for:

- cookies, cakes
- angel food cake,
- cream puffs,
- meringue.

The recommended positions are the 1st or 2nd runners from the bottom.



BROWNING

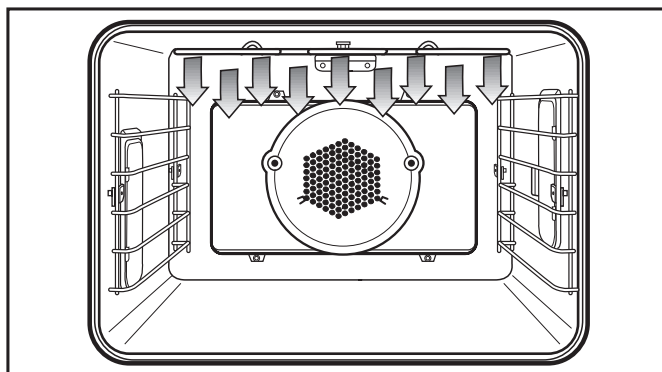
Default temperature 375°F (190°C)

In the "BROWNING" function, food is heated from above.

Use this function for:

- browning meringue,
- melting a cheese topping,
- dense quick bread.

The recommended position is the 4th runner from the bottom.



BAKE

INTENSIVE

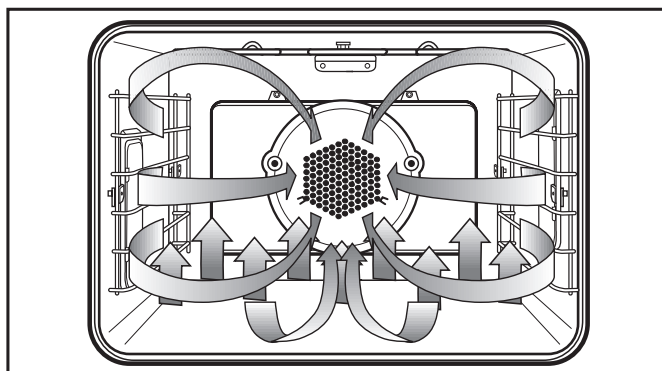
Default temperature 325°F (160°C)

The "INTENSIVE" function generates heat from the lower heating element. The oven's fan gently circulates the heated air to create a brick oven environment.

Use this function for:

- baked potatoes, french fries,
- pizza, stromboli,
- brisket, pot roast,
- cheesecake, pies.

Use the 1st runner from the bottom. Should the bottom of the food burn, raise the rack to a higher runner.



When using "INTENSIVE", recipe temperatures should be lowered by 25°F (15 °C).

Intensive is not recommended for roasting or shallow baking.

Since only the lower heating element is used, bake only on one level. Do not bake on the oven floor.

Remove the grease filter from the fan opening. If the filter is not removed, increase the baking time.

AUTO ROAST

Default temperature 325°F (160°C)

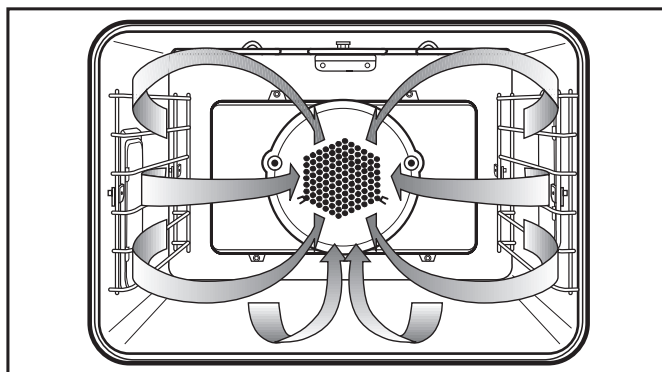
This premium convection function heats the oven to a high temperature to sear the meat, retaining moisture and tenderness.

Once the oven cavity temperature has exceeded the set temperature, "Searing" will appear in the display. Once the meat is seared, the function returns to the selected temperature.

Use this function for:

- large cuts of meat,
- poultry.

The recommended position is the 1st runner from the bottom.



The oven should not be preheated when using "AUTO ROAST".

ROAST

CONVECTION ROAST

Default temperature 325°F (160°C)

This function uses the convection fan to actively circulate heated air throughout the oven.

This function does not spike the oven temperature for searing.

Use this function for:

- chicken pieces,
- small poultry,
- small cuts of meat,
- fish.

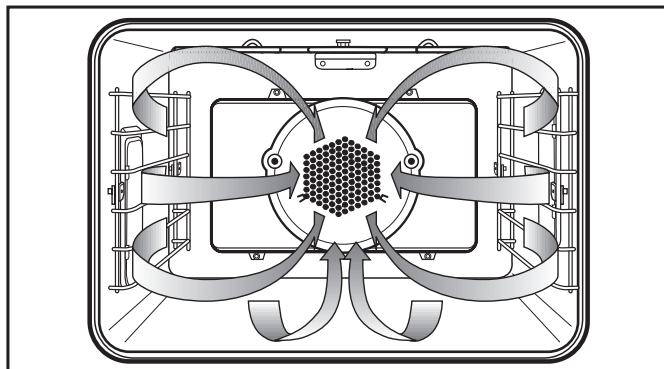
When using the convection function, it is possible to roast simultaneously on multiple runner levels.

The recommended positions are:

1 tray = 1st runner from the bottom

2 trays = 1st and 3rd runners
from the bottom

3 trays = 1st, 2nd and 5th runners
from the bottom



SURROUND ROAST

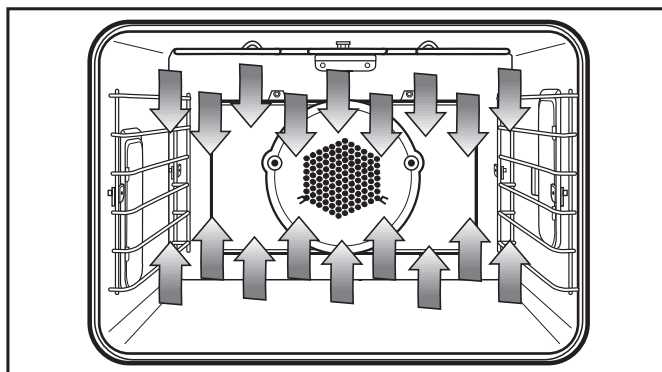
Default temperature 400°F (200°C)

"SURROUND ROAST" is a conventional roasting program for traditional recipes.

Use this function for:

- pot roast,
- leg of lamb,
- pork loin.

The recommended position is the 2nd runner from the bottom.



ROAST

Roasting tips

- Always install the grease filter in the back of the oven before roasting.
- The larger the cut of meat to be roasted, the lower the temperature that should be used.
The roasting process will take a little longer, but the meat will be cooked evenly and the outside will become crisp.

Roasting in a covered pot

When roasting in a covered pot, increase the recipe temperature by 70°F (20°C).

Season the meat and place in the pot. Add some butter or margarine or a little oil. Add about 1/2 cup of water when roasting a large piece of meat or roasting poultry with a high fat content.

Roasting on the rack

Add a little oil to very lean meat or place a few strips of bacon on top to help retain moisture. Place a little water in the roasting pan on the rack below the meat to catch drippings.

Roasting poultry

For crispy skin, baste the poultry ten minutes before the end of cooking with salt water.

BROIL

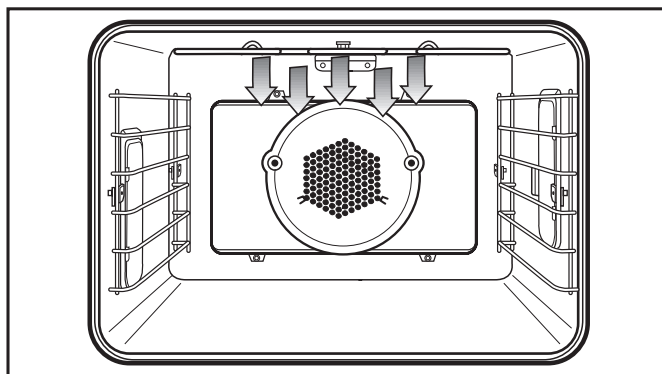
No default temperature

Only the inner part of the upper heating element is used for a smaller area of intense heating from above. This function is excellent for broiling or searing small quantities.

Use this function for:

- chops,
- small or thin pieces of meat,
- browning small dishes.

The recommended position is the 5th runner from the bottom.



BROIL

MAXI BROIL

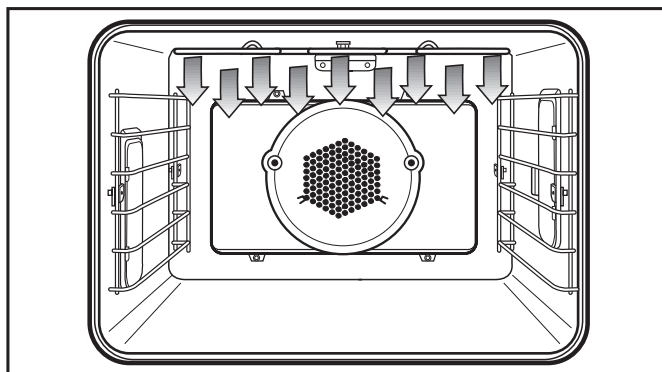
No default temperature

The entire upper heating element is used for intense heating from above. This function gives excellent browning and searing results.

Use this function for:

- london broil,
- chops,
- large quantities of meat,
- browning large dishes.

The recommended position is the 5th runner from the bottom.



CONVECTION BROIL

No default temperature

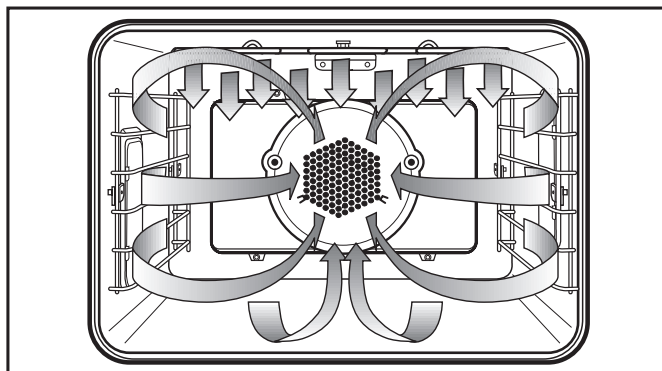
The hot air from the upper heating element is distributed over the food by the fan. This enables a lower temperature than conventional broiling to be used.

Use this function for:

- steak,
- lamb

The recommended position is the 2nd runner from the bottom.

Always insert the grease filter over the convection fan in the back of the oven when using this function.

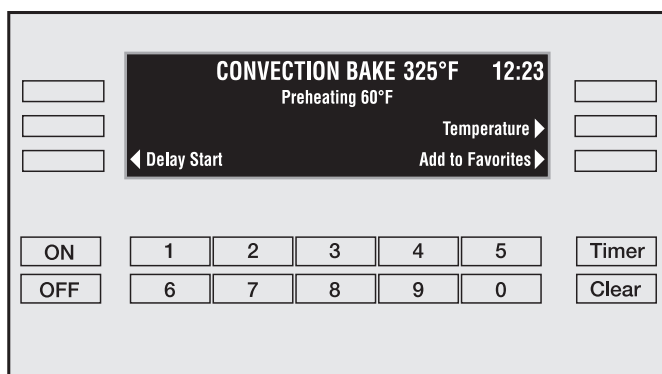


FAVORITES

If you often cook a recipe with the same settings (function, times, temperature) you can save those settings as a "favorite" for easy recall.

To save a favorite:

- Enter the function, temperature and cooking times of the recipe. The oven will begin heating.
- Touch the "Add to Favorites" control.



Your "favorite" must be named before it can be saved to the memory.

- Enter the letters and numbers of the name by touching the controls left and right of the alpha-numeric list. Confirm each character entry by touching the "Select" control.
- Touch the "OK" control when naming is complete to save the "favorite" to memory.



Your "favorite" can now be recalled from the "FAVORITES" list. When selected, the oven will automatically use the saved settings.

- Touch "Clear" to cancel the running function if you are not cooking.

SABBATH

Default temperature 375°F/190°C

For religious observance, the oven can be set to run for the duration of the Sabbath. There will be no visual change to the control panel and the clock will not be displayed.

In this function, only "BAKE" and "SURROUND" are available.

- Select the desired Sabbath function while the door is closed.

The oven will stay in "Hold" mode until the oven door is opened again.

- Open the oven door.
- Place the food in the oven.
- Close the oven door.

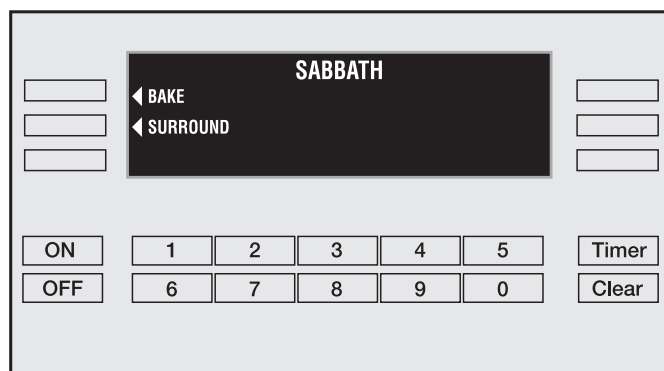
After a 5 minute delay, the oven will start heating until the set temperature is reached. This temperature will be held constant for 72 hours.

Once the Sabbath function has started the settings can not be changed. The oven can only be turned off with the "ON/OFF" control.

At the end of Sabbath

After 72 hours, the oven will shut off and "F 55" will appear in the display.

Turn the oven off to reset it to normal operation.



DEHYDRATE

DEHYDRATE

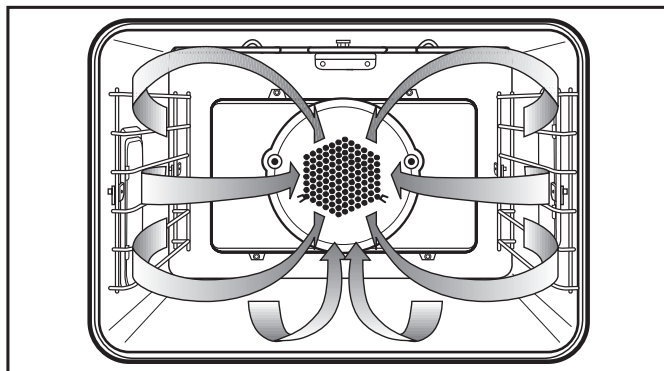
Default temperature 175°F (80°C)

This function is for dehydrating fruits, vegetables and herbs.

A constant low temperature and the fan maintain the ideal conditions for the long dehydration process.

For best results, blot food with a paper towel before dehydrating.

Foods to be dehydrated should be placed directly on the oven racks or on a drying screen (not supplied with oven.)

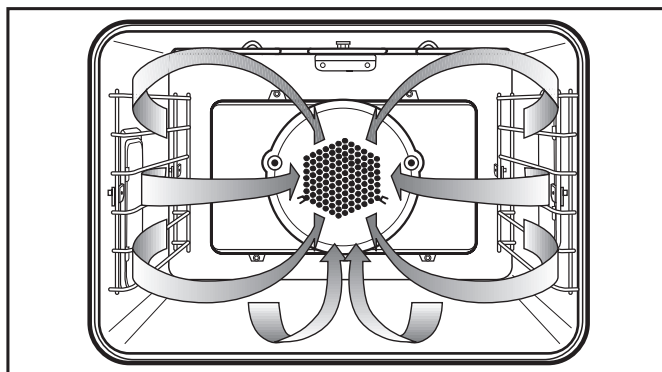


PROOF

Default temperature 125°F (50°C)

The warm environment created in the proof function will allow you to effectively proof dough. This function maintains a low temperature perfect for yeast to rise.

Place the dough in a large bowl on the oven rack positioned at the lowest runner level. Keep the oven door closed during this process.



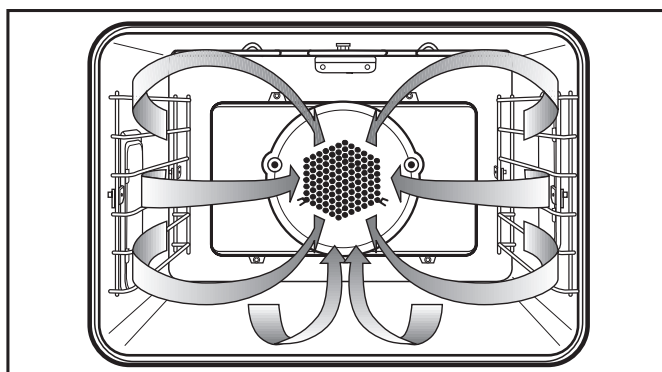
DEFROST

DEFROST

Default temperature 75°F (25°C)

This function allows you to defrost food at a constant temperature.

Defrosting times depend on the type and weight of the food, and at what temperature it was deep-frozen.



Defrosting tips

- Remove the frozen food from the packaging and place in the roasting pan or into an appropriate dish.
- Meat and poultry should be fully thawed before cooking. Do not use the liquids from defrosting.
- Fish does not need to be fully defrosted before cooking. Defrost so that the surface is soft enough to absorb herbs and seasoning.
- Cook all food immediately after defrosting.

Appliance front

The glass front of the appliance and the control area can be cleaned with glass cleaner when cool.

Stainless steel

Stainless steel surfaces can be cleaned using a non-abrasive stainless steel cleaner.

To help prevent resoiling, a conditioner for stainless steel can also be used. Apply sparingly with even pressure.

Accessories

Grease filter

Clean with liquid dish soap and hot water, or in the dishwasher.

Depending on the detergent, cleaning the grease filter in a dishwasher may cause permanent discoloration of the filter surface. Performance of the filter will not be affected by the discoloration.

Cleaning


PerfectClean

The revolutionary PerfectClean enamel is a smooth, nonstick surface that cleans up easily with a sponge.

The following have been treated with "PerfectClean":

- oven walls,
- roasting pan,
- anti-splash tray,
- runners.
- Do not clean items with PerfectClean in a dishwasher. Dishwasher detergents may damage the enamel.
- Clean after each use with a sponge and a solution of hot water and liquid dish soap.
- Do not use abrasive cleaners, ceramic cleaners, metal scourers, or oven cleaners on PerfectClean surfaces.
- After cleaning, rinse thoroughly with water. The water should run off the surface easily. Any residue will hinder this effect.
- Stubborn baked on grease may need to be soaked first to loosen deposits.
- Clean up spills on PerfectClean surfaces as soon as possible to prevent stains.
- Spilt fruit juices may permanently discolor surfaces. This discoloration is permanent but will not affect the efficiency of the enamel.

Cleaning the oven cavity by hand

 Danger of burns! Allow the oven to cool before cleaning.

To make cleaning easier

- remove the oven door,
 - remove the runners,
 - lower the upper heating element.
- Clean the oven surfaces with a solution of hot water and liquid dish soap and a sponge or soft nylon brush.

Do not use abrasive cleaning agents, hard brushes, metal scouring pads, steel wool, knives or other abrasive materials.

Do not use oven sprays on any part of this oven.

- Dry surfaces before reassembly.

Cleaning

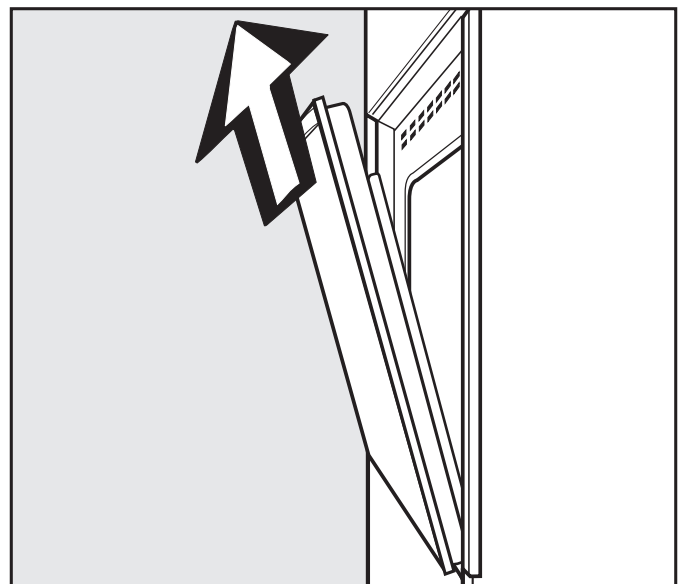
Removing the oven door

Please note: the oven door is quite heavy. It should be gripped firmly at the sides when being removed or refitted.

- Open the door fully.
- Flip up the locking clamps on each door hinge.



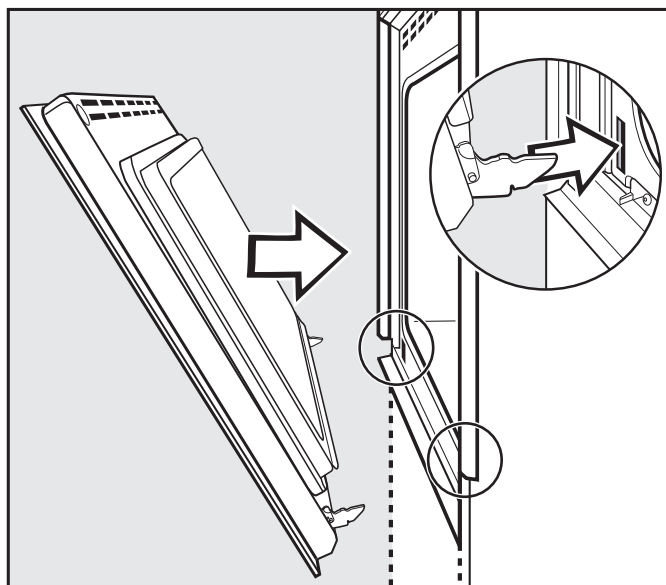
- Slowly shut the door until the protruding clamps stop the movement. Pull the door upward. See illustration.



Refitting the oven door

- Insert the door onto the hinges and open the door completely.
- Flip the locking clamps down.

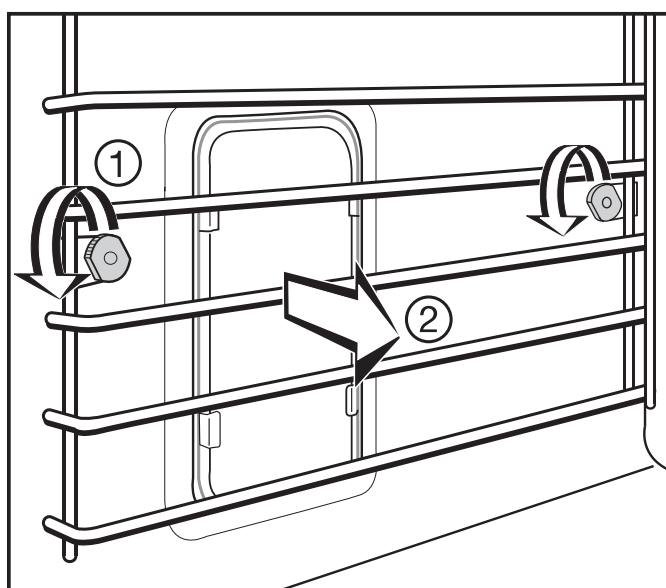
Check that the locking clamps are flipped down when the door is reinstalled. Otherwise, on closing the door, the hinges could work loose from the guide holes and cause damage.



Removing the runners

- Turn the two screws, ①, counterclockwise and remove.
- Remove the runners, ②, from the oven by pulling them away from the oven wall.

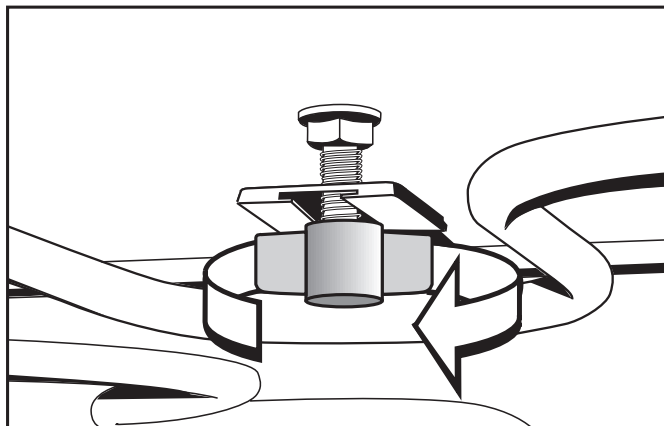
Reassemble in the reverse order, ensuring all parts are correctly in place.



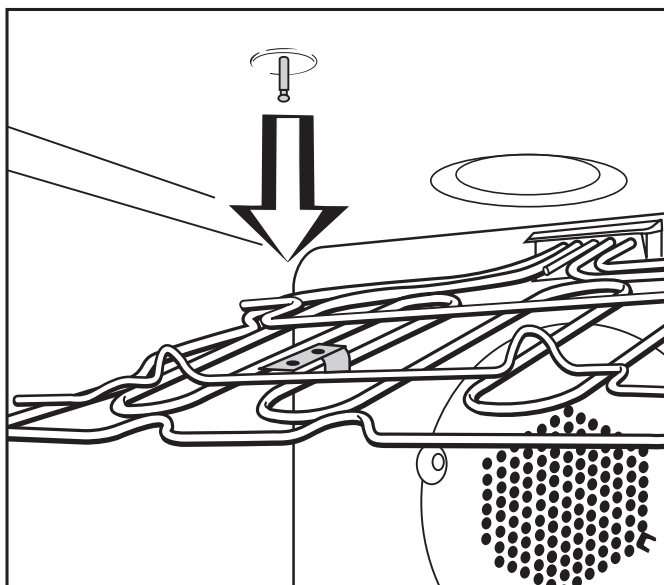
Cleaning

Lowering the upper heating element

- Remove the runners first.
- Loosen the wing nut.



- Gently lower the element.

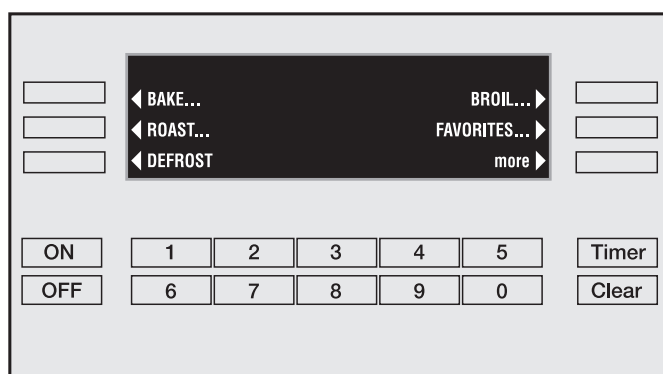


Catalytic liners

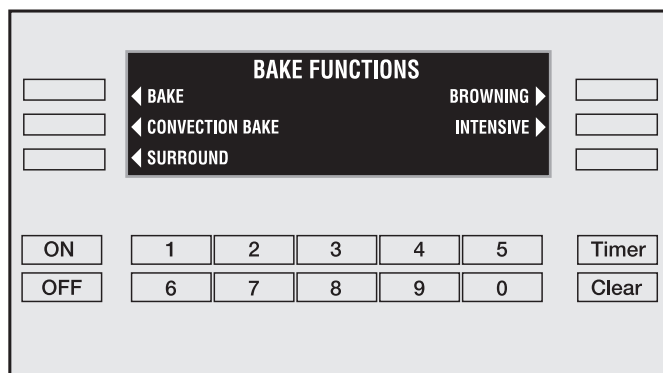
Circulating air in the oven deposits oil and fat on the back of the oven. These deposits are burnt off from the catalytic liner when the temperature of the oven reaches over 400°F/200°C.

Cleaning at high temperatures:

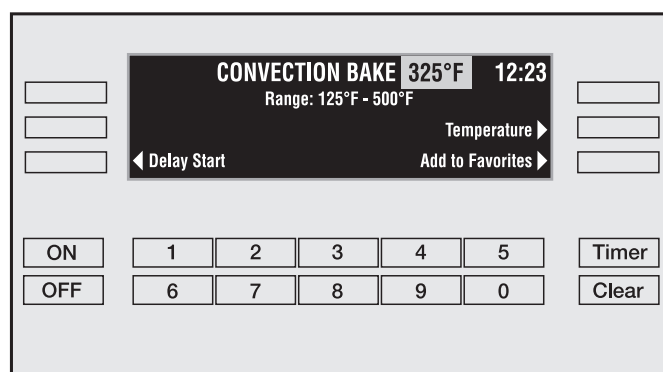
- Touch the "ON" control.
- Select function "BAKE".



- Select "CONVECTION BAKE".

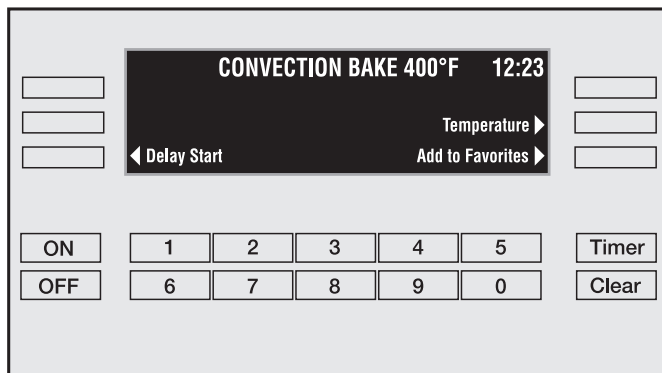


- Select "Temperature".
- Adjust the function temperature to 400°F (200 °C).



Cleaning

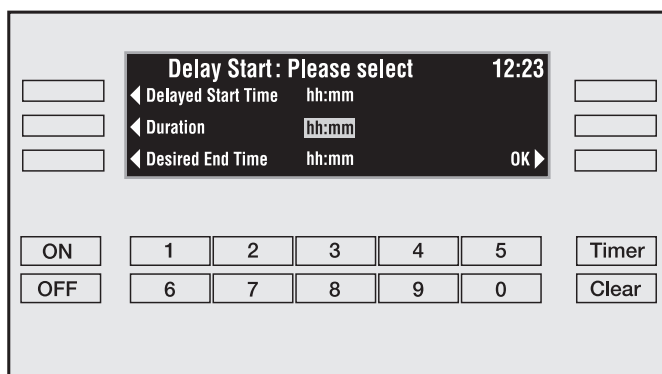
- Touch the "Delay Start" control.



- Select "Duration" and set the duration for 1 hour.


More time may be needed if the oven is heavily soiled.

- Touch "OK".



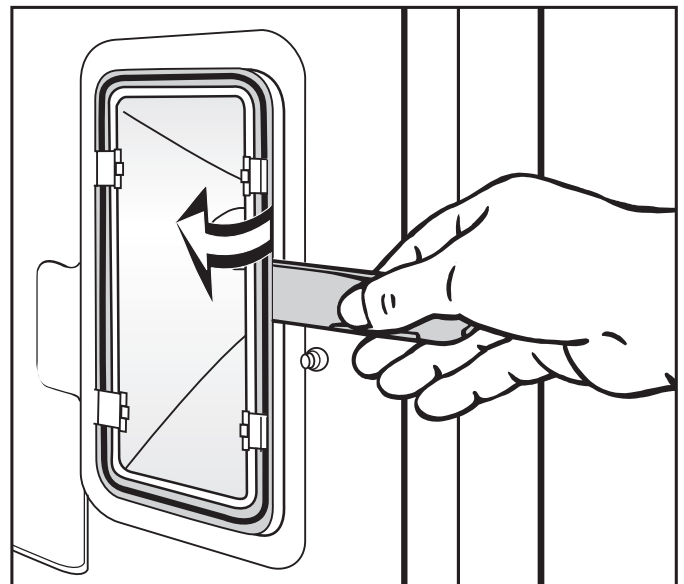
If the catalytic liner is damaged, a replacement may be purchased from your Miele dealer or the Technical Service Department.

Changing the light bulb

 To reduce the risk of electric shock, disconnect this appliance from the power supply by shutting off the power main or tripping the circuit breaker.

Changing the light bulb

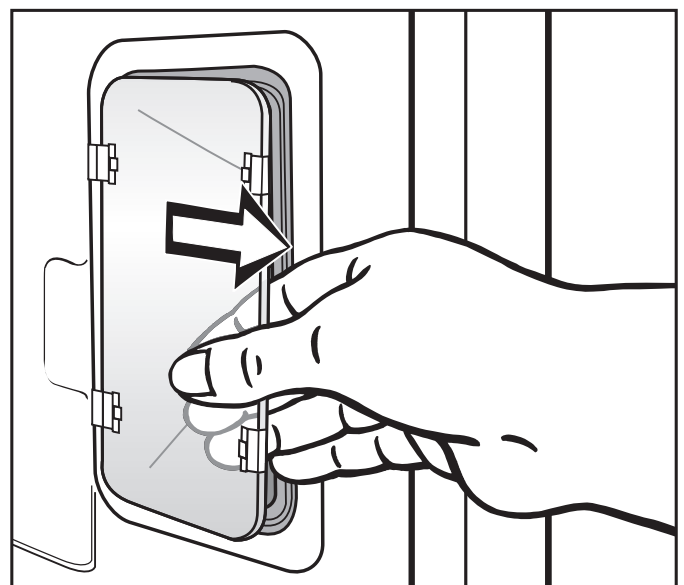
- Remove the runners.
- Spread a dishtowel on the oven floor to protect the enamel, in case the light cover falls.
- Insert the supplied slide opener between the light cover and the metal frame of the light along the edge closest to the oven door.
- Pry the light cover out of the metal frame.



- Slide the light cover out of the two clamps secured to the metal frame.

Do not bend these metal clamps. The clamps and the reflector could be damaged.

On some models the bulb cover is connected to the light cover so you will have to remove it as one piece.



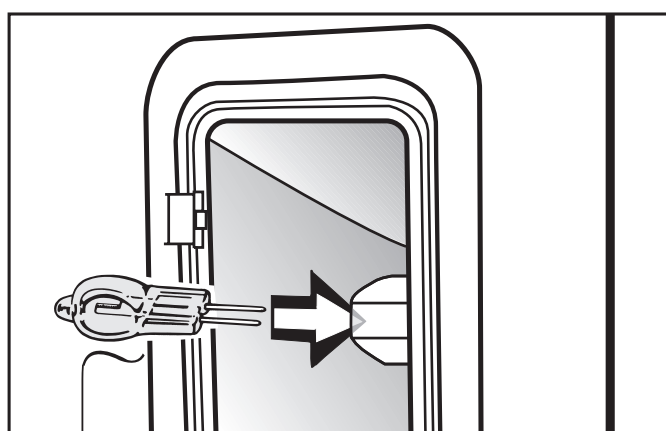
Changing the light bulb

- Replace the halogen bulb.

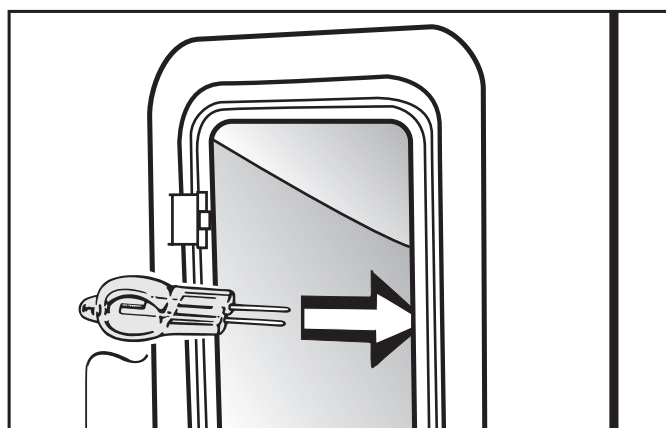
Only use a 12 V, 10 W, 572°F (300°C) heat resistant, Osram, type w818 bulb.

Do not touch the new light bulb with your fingers; touching the bulb will reduce its life. Follow the bulb manufacturer's instructions.

with bulb cover

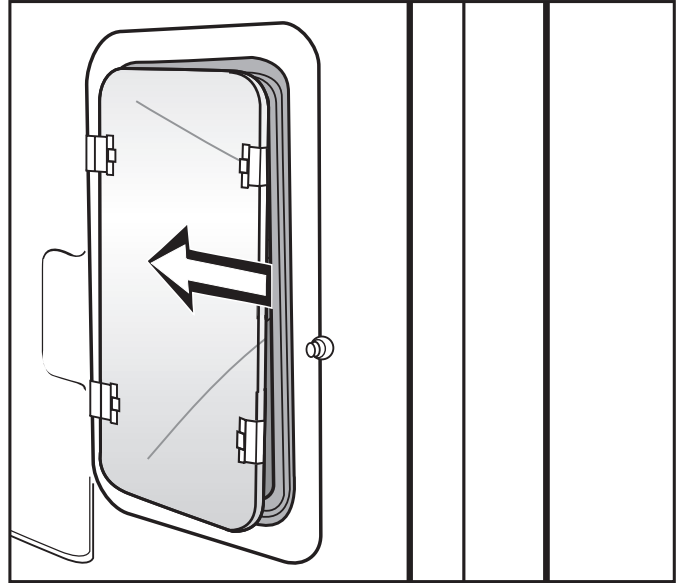


without bulb cover

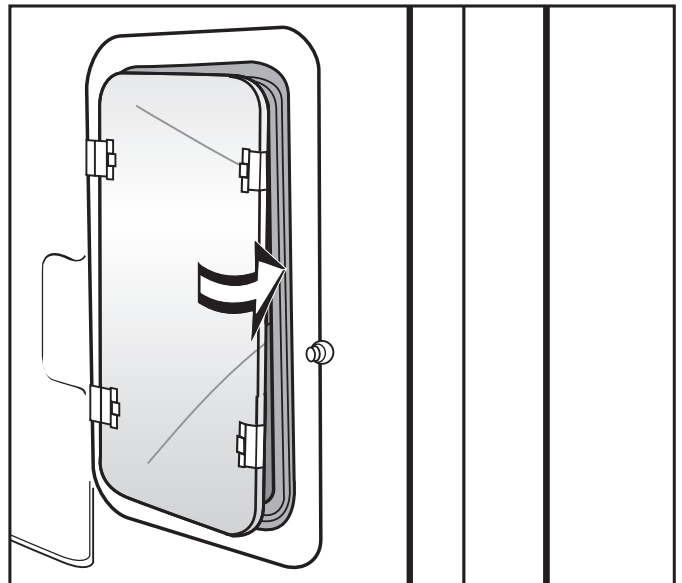


Changing the light bulb

- Put the light cover back in place with the notch to the rear of the metal clamps.



- Press the light cover in to the metal frame.
- Reassemble the runners.



Frequently asked questions

What if the oven does not heat?

Possible fault

The child safety lock is activated.

The circuit breaker has tripped.

The delay start has been set.

The door is not fully closed.

Fix

Deactivate the child safety lock.

Check the breaker.

Cancel the delay start.

Close the door firmly.

Why is there no noise when the oven door is opened during operation?

This is normal. If the door is opened during operation, a safety contact switch causes the heating elements and the fan to shut off.

Should a noise be heard after turning the oven off?

This is normal. The fan will continue to run for a short time to cool the oven. When the oven has cooled sufficiently, the fan will turn off automatically.

Why is the display dark when the oven is first turned on?

Possible fault

The clock display has been turned off.

Fix

Turn the display on: Touch "ON".

Select "Settings" - "Clock" - "Display on".

What if the time of day can not be entered after a power failure?

Possible fault

The child safety lock is set to "0".

Fix

Slide the child safety lock to "1".

What if cakes and cookies are not cooked enough?

Possible fault

The grease filter was not removed.

Fix

If the grease filter is not removed, increase baking by 10 to 15 minutes.

Why is there uneven browning?

Possible fault

Oven not preheated.

Oven temperature too high.

Grease filter was not removed.

Shiny or thin pans were used.

Fix

Allow the oven to preheat.

Lower the oven temperature.

Remove the grease filter next time.

Use dark, matte finish pans.

What if a 3 digit code ("F" followed by two numbers) appears in the display?

Possible fault

An electronic fault has occurred.

"F 55" the oven has shut down or the Sabbath function has finished.

Fix

Call Technical Service for assistance.

Turn off the oven to reset it to normal operation.

In the event of a fault which you cannot easily fix yourself, please contact the Miele Technical Service Department

USA 1-800-999-1360
techserv@mieleusa.com

CDN 1-800-565-6435
service@miele.ca

When contacting Technical Service please quote the serial number and model of your oven. This information is visible on the silver data plate along the right side of the oven.

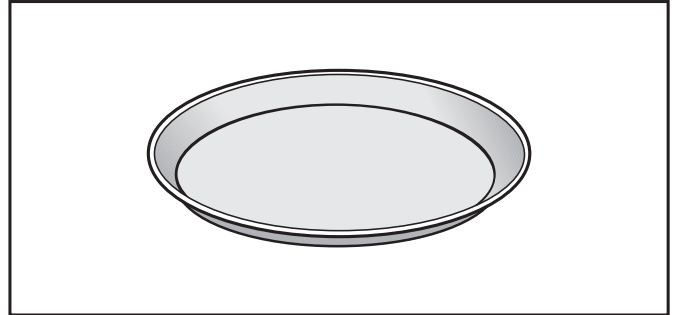
Optional accessories

The following accessories are available for purchase from your Miele Dealer or Technical Service.

Pizza pan

This circular pan is suitable for cooking fresh or frozen pizzas, flat cakes, tarts, and baked desserts.

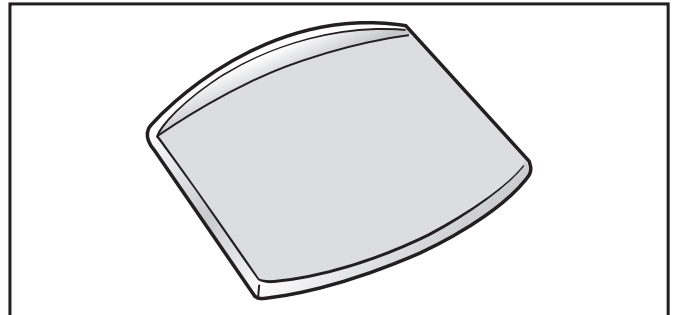
Part# 05 182 760



Pizza stone

The pizza stone is ideal for baking dishes with a crisp bottom like pizza and bread.

Part # 22 996 071

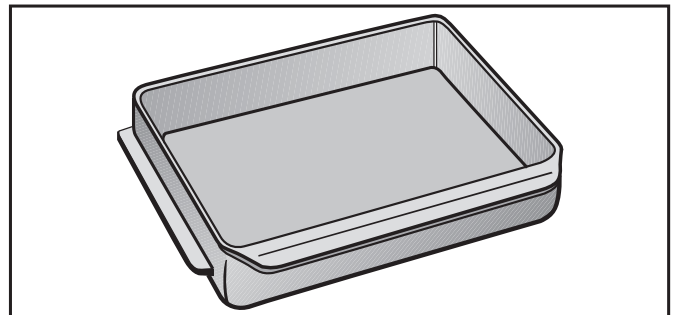


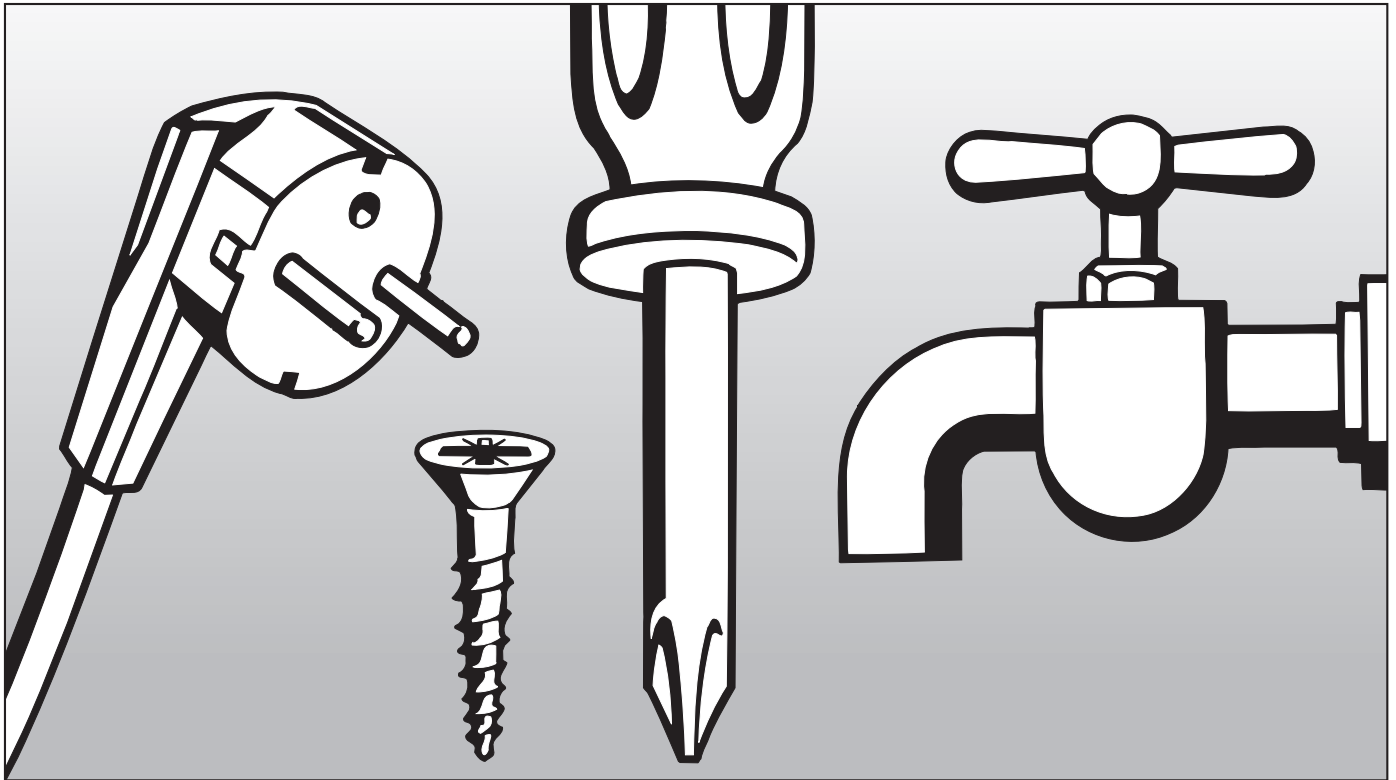
Deep sided universal oven dish

The deep sided universal oven dish has a special non-stick coating. A lid is also available separately.

Small dish part# 22 99 6078

Large dish part# 22 99 6077





INSTALLATION INSTRUCTIONS

Caring for the environment

Disposal of the packing materials

The cardboard box and packing materials protect the appliance during shipping. They have been designed to be biodegradable and recyclable.


Ensure that any plastic wrappings, bags, etc. are disposed of safely and kept out of the reach of children.

Danger of suffocation!

Disposal of an old appliance

Old appliances may contain materials that can be recycled. Please contact your local recycling authority about the possibility of recycling these materials.

Ensure the appliance presents no danger to children while being stored for disposal. Before discarding an old appliance, unplug it from the outlet and cut off its power cord. Remove any doors to prevent trapping hazards.

 **CAUTION:** Before servicing, disconnect the power supply by either removing the fuse, shutting off the power main or manually "tripping" the circuit breaker.

Installation work and repairs should only be performed by a qualified technician in accordance with all applicable codes and standards. Repairs and service by unqualified persons could be dangerous and the manufacturer will not be held responsible.

Before connecting the appliance to the power supply, make sure that the voltage and frequency listed on the data plate correspond with the household electrical supply. This data must correspond to prevent machine damage. Consult an electrician if in doubt.

Only operate the appliance after it has been installed into cabinetry.

Installer:
Please leave these instructions with the consumer.

Power supply

The oven is equipped with a 6 ft. (2.2 m) flexible power cord consisting of 4 wires ready for connection to a dedicated 3 pole, 4 wire grounded power supply:

– 120/240 V, 60 Hz, 30 A fuse rating

or

– 120/208 V*, 60 Hz, 30 A fuse rating

*A conversion kit is necessary for the installation of a 208 V oven.

Please contact Technical Service for details.

Black wire: connect to L1 (hot)

Red wire: connect to L2 (hot)

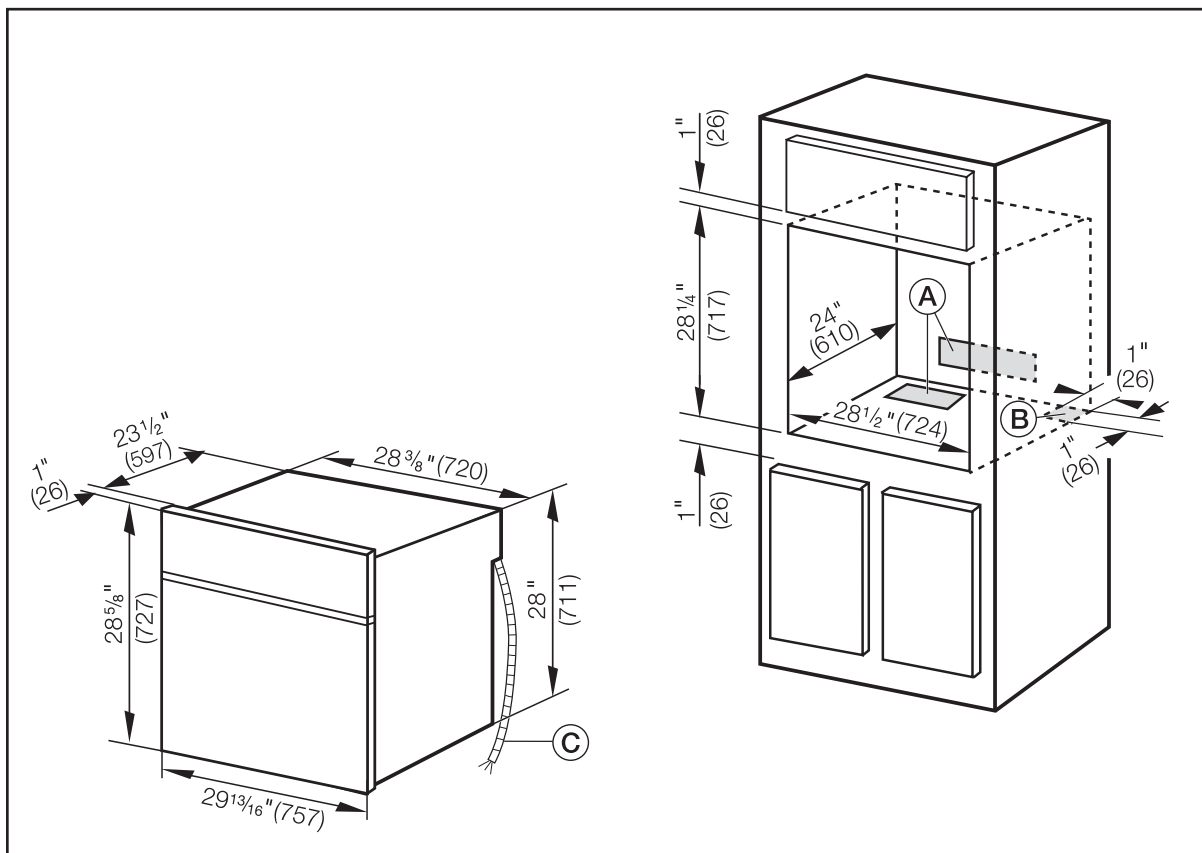
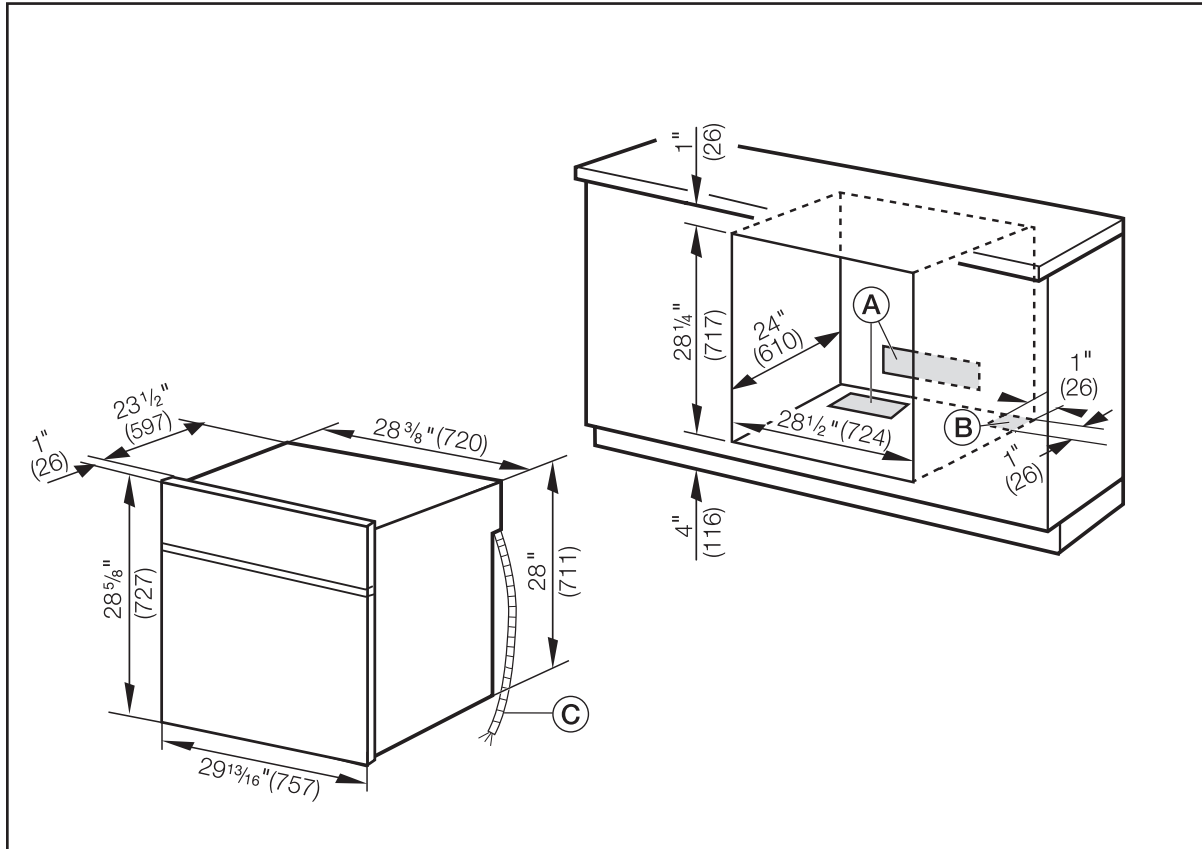
White wire: connect to N (neutral)

Green wire: connect to GND (ground)

A dedicated line and junction box should be used to connect the oven to a 30 A circuit.

Connection details are also given on the diagram located on the top of the oven.

Appliance and Cut-out Dimensions



- Ⓐ Vent (min. 24" ² / 150 cm²) cut-out possible at rear **or** platform of cabinet
- Ⓑ Cut-out for power cord (min. 1" ² / 3 cm²)
- Ⓒ Power cord

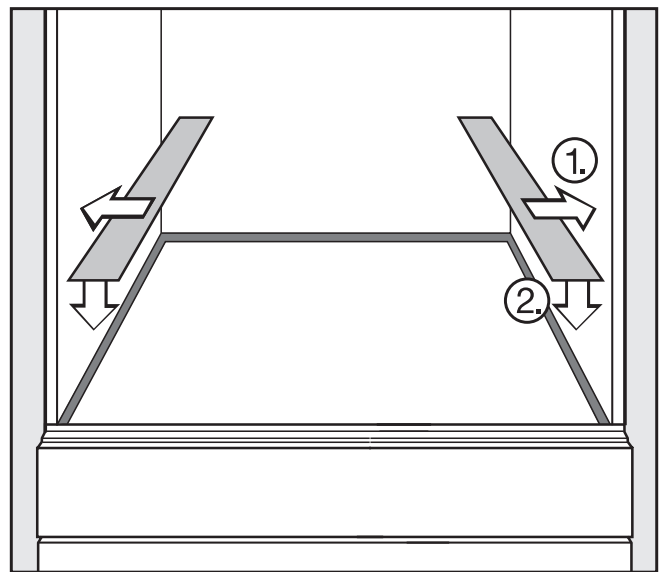
Installing the oven

The oven must be installed into cabinetry and be supported from underneath.

For proper heat ventilation a 12" x 2" (30 cm x 5 cm) opening must be made at the rear of the cabinet or to the rear of the platform under the oven.

Do not insulate the cabinet. This will prevent proper ventilation.

- Adhere the skid plates to the cabinet floor.

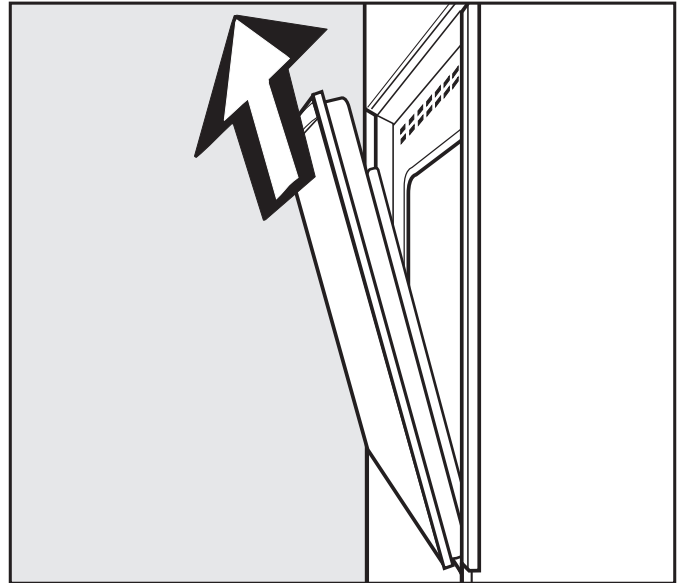


- Prepare the door for removal. Flip up the locking clamps on each door hinge.

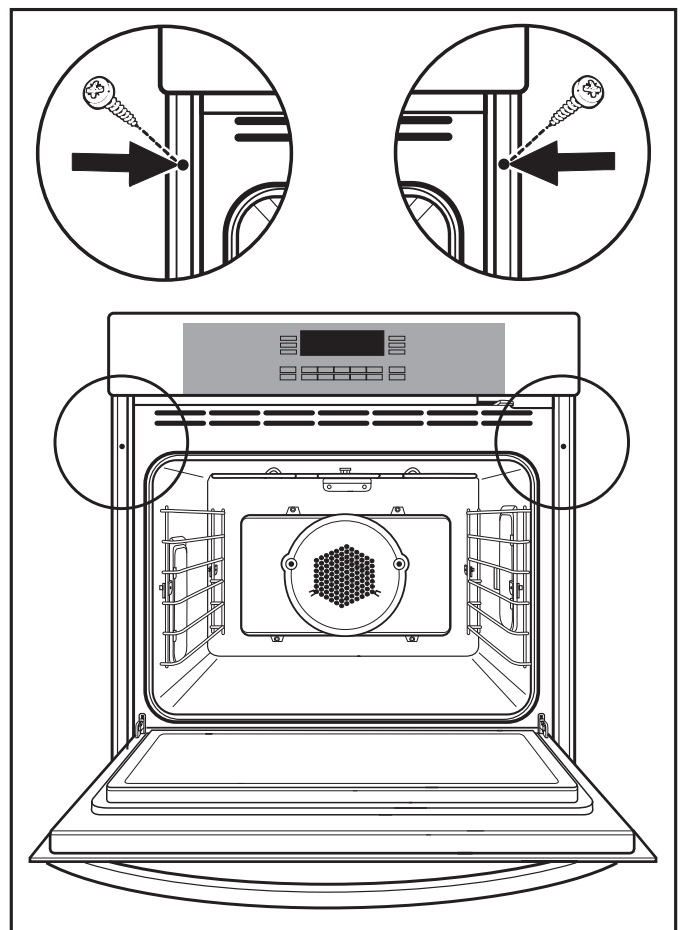


Installing the oven

- Slowly shut the door until the protruding clamps stop the movement. Pull the door upward.



- Connect the oven to the electrical supply.
- Slide the oven into the cabinet and align.
- Reinstall the door.
- Open the oven door and locate the two mounting screw holes in the oven frame. Mark and drill 6 mm pilot holes. Secure the oven to the cabinetry by inserting screws through the frame and into the cabinetry.



Set the time

"Enter Time: hh:mm" will appear in the display once the oven is connected to electricity.

- Set the current time using the keypad.
- Save the time by touching the control to the right of "OK".

When contacting the Technical Service,
please quote the model and serial number
of your appliance.



Miele, Inc. (USA)

National Headquarters

9 Independence Way
Princeton, NJ 08540
Phone: 800-843-7231
609-419-9898
Fax: 609-419-4298
www.mieleusa.com

Technical Service & Support

Nationwide

Phone: 800-999-1360
Fax: 888-586-8056

Miele Limited (CDN)

National Headquarters

55G East Beaver Creek Road
Richmond Hill, ON L4B 1E5
Phone: 800-643-5381
905-707-1171
Fax: 905-707-0177
www.miele.ca
info@miele.ca (general enquiries)
professional@miele.ca (commercial
enquiries)

Mielecare National Service

Phone: 800-565-6435
905-850-7456
Fax: 905-850-6651
service@miele.ca (Tech. Service)

Free Manuals Download Website

<http://myh66.com>

<http://usermanuals.us>

<http://www.somanuals.com>

<http://www.4manuals.cc>

<http://www.manual-lib.com>

<http://www.404manual.com>

<http://www.luxmanual.com>

<http://aubethermostatmanual.com>

Golf course search by state

<http://golfingnear.com>

Email search by domain

<http://emailbydomain.com>

Auto manuals search

<http://auto.somanuals.com>

TV manuals search

<http://tv.somanuals.com>