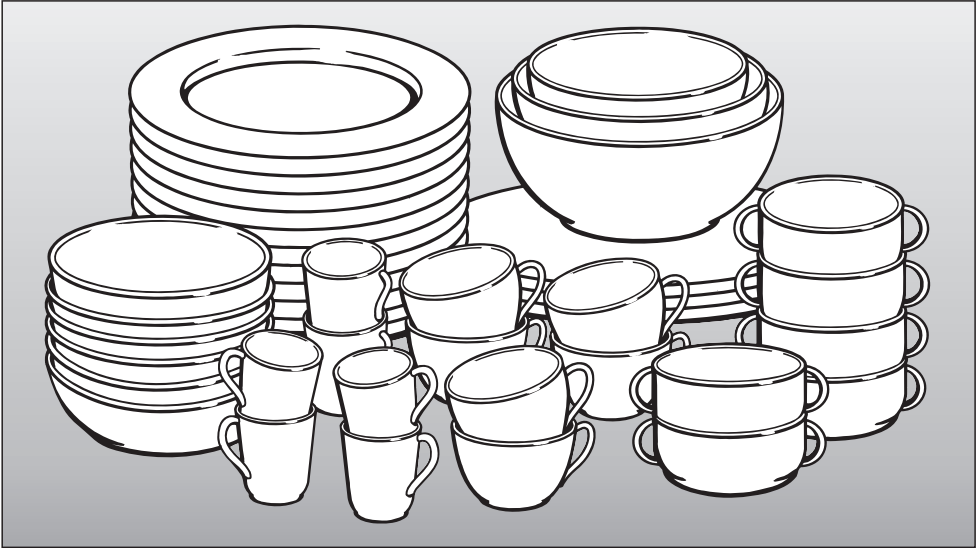


Operating and Installation Instructions



System Drawer ESS 2062

To prevent accidents and
appliance damage,
read these instructions

before

installation or use.

en - US, CA

M.-Nr. 07 342 360

Contents

IMPORTANT SAFETY INSTRUCTIONS	3
Guide to the System Drawer	4
Use	5
Opening and closing	5
Capacity	5
Cleaning and Care	6
Technical Service	7
Installation	10
Help protect our environment	12

IMPORTANT SAFETY INSTRUCTIONS

WARNING- When using your appliance follow basic precautions, including the following:

Read all instructions before installation or use to prevent injury and appliance damage.

This appliance conforms to all uniform safety codes and regulations.

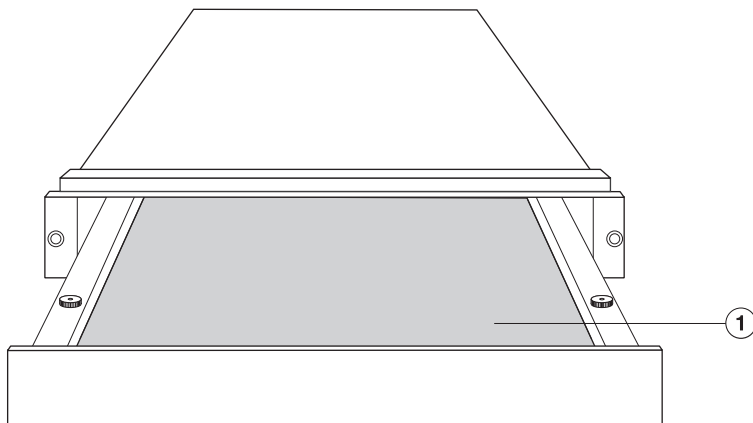
Keep these operating instructions in a safe place and pass them on to any future user.

SAVE THESE INSTRUCTIONS

► The System Drawer is intended for residential use only, and for the purposes described in this manual. Other uses are not permitted and can be dangerous.

- The drawer is only to be built-in with the Miele Coffee System CVA.
- Use the drawer only once it has been installed into cabinetry.
- Do not keep cooked food in the drawer. The condensation may cause damage.
- Do not sit or lean on the opened drawer. This will damage the drawer which can hold a maximum of 33 lbs (15 kg).
- Installation, repair and maintenance work should be performed by a Miele authorized service technician. Work by unqualified persons could be dangerous and may void the warranty.
- Do not let children access or play with the drawer.
- Ensure that any packing material, is disposed of safely and kept out of the reach of children. Danger of suffocation!

Guide to the System Drawer



① Non-slip mat

The drawer is only intended to store dishes.

Do not store food or drinks in the drawer. The condensation may damage the drawer.

The floor of the warming drawer has a non-slip mat to prevent plates and dishes from sliding when the drawer is opened and closed.

Opening and closing

- To open and close gently press the center of the drawer.

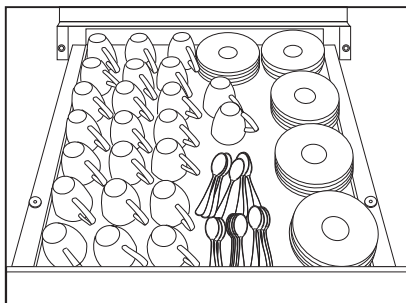
Capacity

The quantity which can be loaded will depend on the size of your dishes.

The maximum load is 33 lbs (15 kg).

For example:

Combination with CVA



- 24 Espresso cups, with saucers and spoons,
or
- 15 Cappuccino cups with saucers and spoons

Combination with steam oven is not possible.

Cleaning and Care

Do not use a steam cleaner to clean the drawer. Pressurized steam could cause permanent damage to the surface and to components of the drawer.

Do not use commercial cleaning agents. Only use agents recommended for domestic use.

All surfaces of the appliance are susceptible to scratching. Breakages can occur on glass surfaces.

Appliance front / interior

Remove spills as soon as possible. Otherwise the soiling may become hard to remove. If spills are allowed to sit for an extended period of time or if unsuitable cleaning agents are used the surfaces may discolor or change.

- Clean the appliance with a solution of warm water and liquid soap applied with a soft sponge. Dry with a soft cloth.

Glass cleaners may be used to clean the exterior. However **do not** allow them to sit or "puddle", this can cause damage to the surface.
Remove the cleaner promptly.

To better maintain your appliance avoid the following:

- cleaners containing soda, ammonia, thinners, or chlorides
- cleaners containing descaling agents,
- abrasive cleaners,
- stainless steel cleaners,
- dishwasher soap (powder),
- caustic (oven) cleaners,
- scouring pads, steel wool, hard brushes,
- metal scrapers.

Non-slip mat

The mat can be removed to clean the bottom of the drawer.

- Clean the mat by hand with warm water and liquid dish soap.
- Dry thoroughly. Do not return the mat until it is completely dry.

Do not wash in a dishwasher or clothes washer.

In the event of a fault which you cannot easily fix yourself, please contact the Miele Technical Service Department at the address on the back of this booklet.

When contacting Technical Service please quote the serial number and model of the appliance. This information is visible on the silver data plate supplied with the appliance.

MieleCare

(USA only)

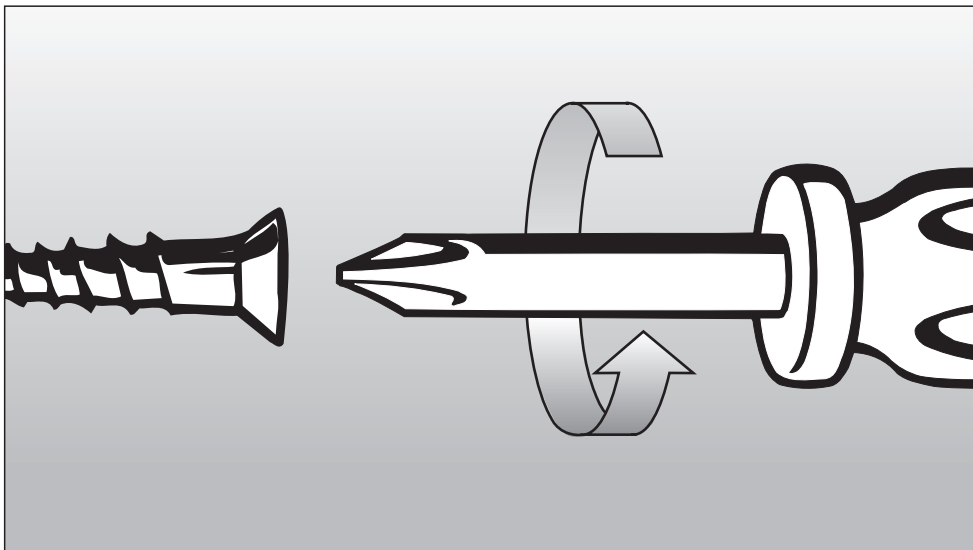
MieleCare, our Extended Service Contract program; gives you the assurance of knowing that your appliance investment is covered by 5 years of worry free ownership.

MieleCare is the only Extended Service Contract in the industry that guarantees repairs by a Miele Authorized Service Provider using genuine Miele parts. Only genuine Miele parts installed by factory trained professionals can guarantee the safety, reliability and longevity of your Miele appliance.

Please note that unless expressly approved in writing by the Miele Service department, Extended Service Contracts offered by other providers for Miele products will not be recognized by Miele. Our goal is to prevent unauthorized (and untrained) service personnel from working on your Miele products, possibly doing further damage to them, you and/or your home.

To learn more about **MieleCare** Extended Service Contracts, please contact your appliance dealer or visit us online at:

<http://miele.com/mielecare>



Installation Instructions

To prevent accidents
and appliance damage
read these instructions

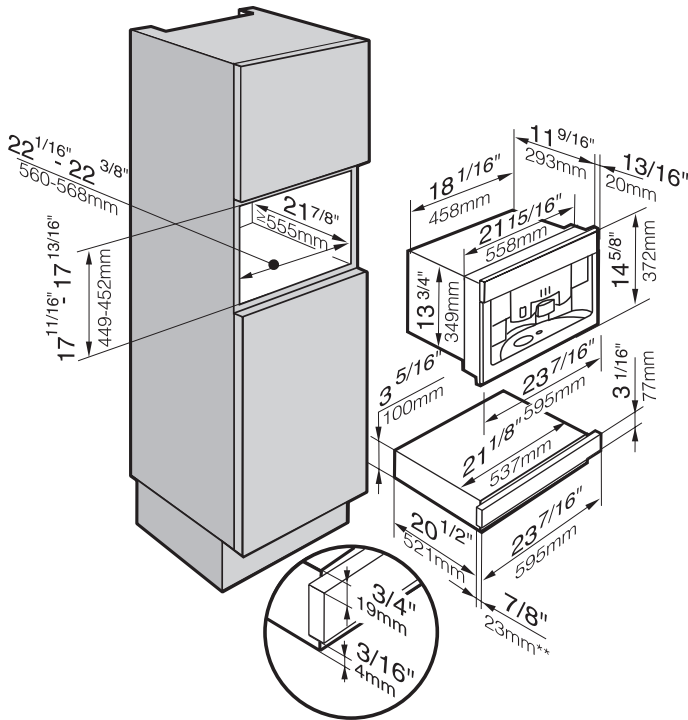
before
installation or use.

Installation

Installation dimensions

Miele appliances can be installed flush or proud. Discuss your installation requirements with your architect, designer and installer.

Combination with coffee system CVA



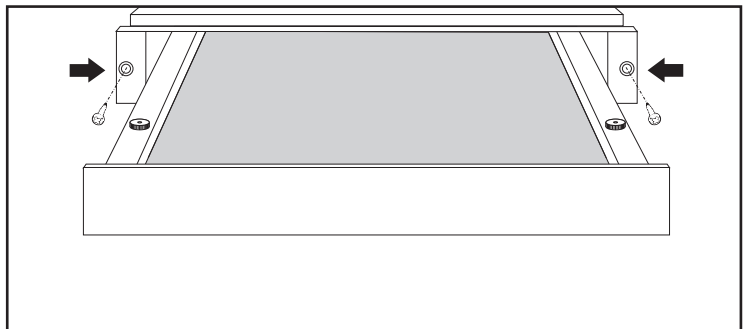
Installing the appliance

To install the combination appliance, please read the installation manual supplied with that machine.

The niche measurement depends on the appliance that will be built in combination with the system drawer.

To install the drawer in combination with another appliance, a built-in shelf must exist in the cabinet to support the weight of both appliances.

When installed with another appliance, the drawer must always be installed beneath the other appliance. The combination appliance can be set without a base directly onto the drawer. A shelf between the appliances is not necessary.



- Set the drawer into the niche, push it all the way in and align it at a right angle.
- Open the drawer and fix the appliance with the two supplied screws to the side panels of the cabinet.
- Install the combination appliance regarding the manual supplied with that machine.

Help protect our environment

Disposal of packing materials

The cardboard box and packing materials are biodegradable and recyclable. Please recycle.

Ensure that any plastic wrappings, bags, etc. are disposed of safely and kept out of the reach of children.

Danger of suffocation!

Disposal of an old appliance

Old appliances contain materials that can be recycled. Please contact your local recycling authority about the possibility of recycling these materials.

Before discarding an old appliance disconnect it from the electrical supply and cut off the power cord to prevent it from becoming a hazard.

Please have the model and serial number of your appliance available before contacting Technical Service.



U.S.A. Miele, Inc.

National Headquarters

9 Independence Way
Princeton, NJ 08540
Phone: 800-843-7231
609-419-9898
Fax: 609-419-4298
www.miele.com

Technical Service & Support Nationwide

Phone: 800-999-1360
Fax: 888-586-8056
TechnicalService@mieleusa.com

Canada Miele Limited

Headquarters and Showroom

161 Four Valley Drive
Vaughan, ON L4K 4V8
Phone: 800-643-5381
905-660-9936
Fax: 905-532-2290
www.miele.ca
info@miele.ca (general enquiries)
professional@miele.ca (commercial enquiries)

MieleCare National Service

Phone: 800-565-6435
905-532-2272
Fax: 905-532-2292
customercare@miele.ca (technical enquiries)

Free Manuals Download Website

<http://myh66.com>

<http://usermanuals.us>

<http://www.somanuals.com>

<http://www.4manuals.cc>

<http://www.manual-lib.com>

<http://www.404manual.com>

<http://www.luxmanual.com>

<http://aubethermostatmanual.com>

Golf course search by state

<http://golfingnear.com>

Email search by domain

<http://emailbydomain.com>

Auto manuals search

<http://auto.somanuals.com>

TV manuals search

<http://tv.somanuals.com>