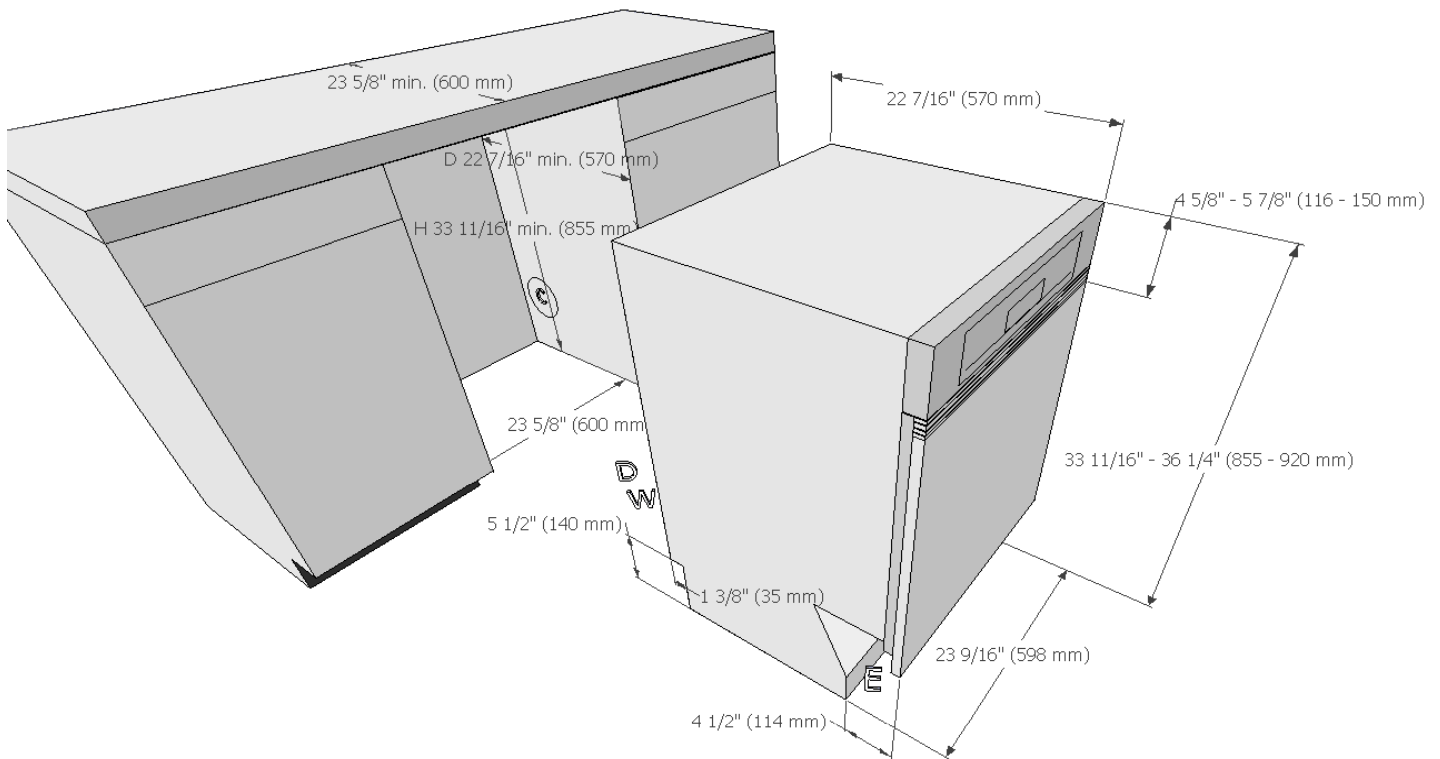


Product and Cut-out Dimensions Diamond G 5915 SCi Integrated Dishwasher



Location Codes

C - Cutout 1 3/8" x 1 3/4" (34 mm x 35 mm) for water, drain and electric pass-through.

Adjust according to water and drain location.

D - 5 foot (1.5 meter) flexible drain hose connects lower center rear.

E - 5 foot (1.5 meter)– 120 Volt – 15 Amp 3-wire molded plug power supply connects front terminal or can be hardwired.

W - 5 foot flexible water intake hose with a 3/8" compression fitting nut connects lower center rear.

Notes

All installations must be done in accordance with local codes.

Drawing is not to scale

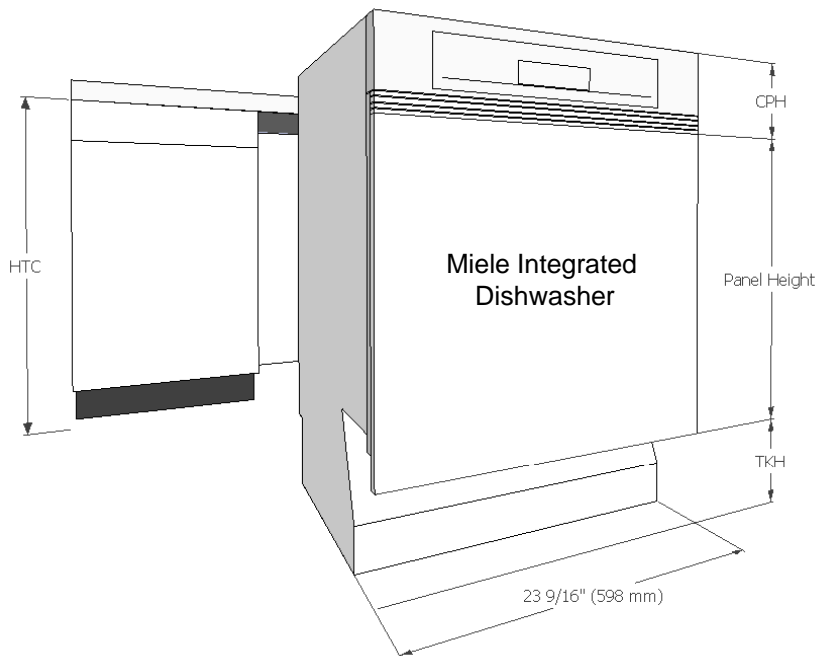
Specification Sheets OJS 11012011

Product and Cut-out Dimensions

Diamond G 5915 SCi Integrated Dishwasher

Custom Panel Installations

Some Miele dishwashers do not come equipped with a front panel. These dishwashers are designed to accept a custom door panel supplied by the cabinet maker. Miele has a unique panel integration system which allows the dishwasher to align with the surrounding cabinets.



Width: 23 7/16" (598 mm) in all cases

Thickness: 3/4" (19 mm) in all cases

Height: Determined using the following calculation:

$$\text{Panel Height} = \text{HTC} - \text{CPH} - \text{TKH}$$

HTC = Height to the underside of countertop

CPH = Control panel height (**Note 1**)

TKH = Toe kick height

Note: Control panel height is determined by the height of the adjoining drawers in the cabinets. The height is adjustable between 4 5/8" and 5 7/8" (116-150 mm) with spacer strips provided.

Maximum panel height: 27 1/4" (692 mm)

Minimum panel height: 21 1/4" (540 mm)

Maximum panel weight: 23 Pounds (10.4 kg)

GDU Kit Installations

Miele offers pre-fabricated panels for all integrated units called GDU kits. These panels are designed for various toe-kick heights and include a black plastic toe kick cover.

GDU 60/65-1 4" Toekick

This GDU accepts a custom insert:
 Height: 25 11/16" (650 mm)
 Width 23 1/8" (587 mm)
 Thick 1/8" (3 mm)

Exposed toe-kick

GDU 60/60-1 6" Toekick

This GDU accepts a custom insert:
 Height: 23 5/8" (600 mm)
 Width 23 1/8" (587 mm)
 Thick 1/8" (3 mm)

Exposed toe-kick

Product and Cut-out Dimensions

Diamond G 5915 SCi Integrated Dishwasher

		Height to underside of countertop									
		33 3/4	34	34 1/4	34 1/2	34 3/4	35	35 1/4	35 1/2	35 3/4	36
Toe Kick Height	2 1/2	Acceptable combinations	Acceptable combinations	Acceptable combinations	Acceptable combinations	Acceptable combinations	Acceptable combinations	Acceptable combinations	Acceptable combinations	Acceptable combinations	Acceptable combinations
	3	Acceptable combinations	Acceptable combinations	Acceptable combinations	Acceptable combinations	Acceptable combinations	Acceptable combinations	Acceptable combinations	Acceptable combinations	Acceptable combinations	Acceptable combinations
	3 1/2	Acceptable combinations	Acceptable combinations	Acceptable combinations	Acceptable combinations	Acceptable combinations	Acceptable combinations	Acceptable combinations	Acceptable combinations	Acceptable combinations	Acceptable combinations
	4	Acceptable combinations	Acceptable combinations	Acceptable combinations	Typical American installation	Acceptable combinations	Acceptable combinations	Acceptable combinations	Acceptable combinations	Acceptable combinations	Acceptable combinations
	4 1/2	Acceptable combinations	Acceptable combinations	Acceptable combinations	Acceptable combinations	Acceptable combinations	Acceptable combinations	Acceptable combinations	Acceptable combinations	Acceptable combinations	Acceptable combinations
	5	Acceptable combinations	Acceptable combinations	Acceptable combinations	Acceptable combinations	Acceptable combinations	Acceptable combinations	Acceptable combinations	Acceptable combinations	Acceptable combinations	Acceptable combinations
	5 1/2	Acceptable combinations	Acceptable combinations	Acceptable combinations	Acceptable combinations	Acceptable combinations	Acceptable combinations	Acceptable combinations	Acceptable combinations	Acceptable combinations	Acceptable combinations
	6	Acceptable combinations	Acceptable combinations	Acceptable combinations	Acceptable combinations	Acceptable combinations	Acceptable combinations	Acceptable combinations	Acceptable combinations	Acceptable combinations	Acceptable combinations
	6 1/2	Acceptable combinations	Acceptable combinations	Acceptable combinations	Acceptable combinations	Acceptable combinations	Acceptable combinations	Acceptable combinations	Acceptable combinations	Acceptable combinations	Acceptable combinations
	7	Acceptable combinations	Acceptable combinations	Acceptable combinations	Acceptable combinations	Acceptable combinations	Acceptable combinations	Acceptable combinations	Acceptable combinations	Acceptable combinations	Acceptable combinations
	7 1/2	Acceptable combinations	Acceptable combinations	Acceptable combinations	Acceptable combinations	Acceptable combinations	Acceptable combinations	Acceptable combinations	Acceptable combinations	Acceptable combinations	Acceptable combinations
	8	Acceptable combinations	Acceptable combinations	Acceptable combinations	Acceptable combinations	Acceptable combinations	Acceptable combinations	Acceptable combinations	Acceptable combinations	Acceptable combinations	Acceptable combinations
8 1/2	Acceptable combinations	Acceptable combinations	Acceptable combinations	Acceptable combinations	Acceptable combinations	Acceptable combinations	Acceptable combinations	Acceptable combinations	Acceptable combinations	Acceptable combinations	

Acceptable combinations

Typical American installation

Free Manuals Download Website

<http://myh66.com>

<http://usermanuals.us>

<http://www.somanuals.com>

<http://www.4manuals.cc>

<http://www.manual-lib.com>

<http://www.404manual.com>

<http://www.luxmanual.com>

<http://aubethermostatmanual.com>

Golf course search by state

<http://golfingnear.com>

Email search by domain

<http://emailbydomain.com>

Auto manuals search

<http://auto.somanuals.com>

TV manuals search

<http://tv.somanuals.com>