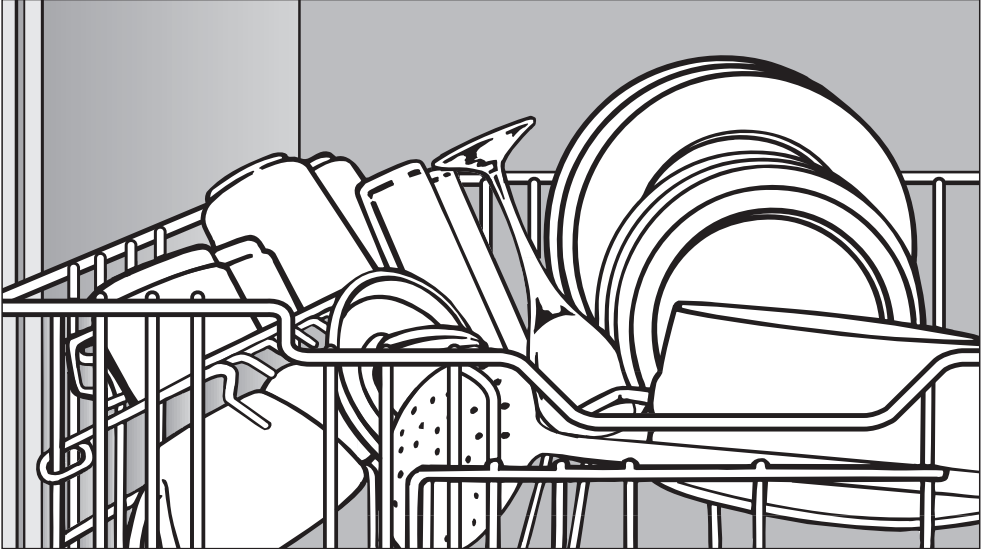


Miele

Operating instructions



for G 886 dishwasher

To prevent accidents and machine damage, read the Operating Instructions before installing or using the machine.

HG01



M.-Nr. 05 419 800

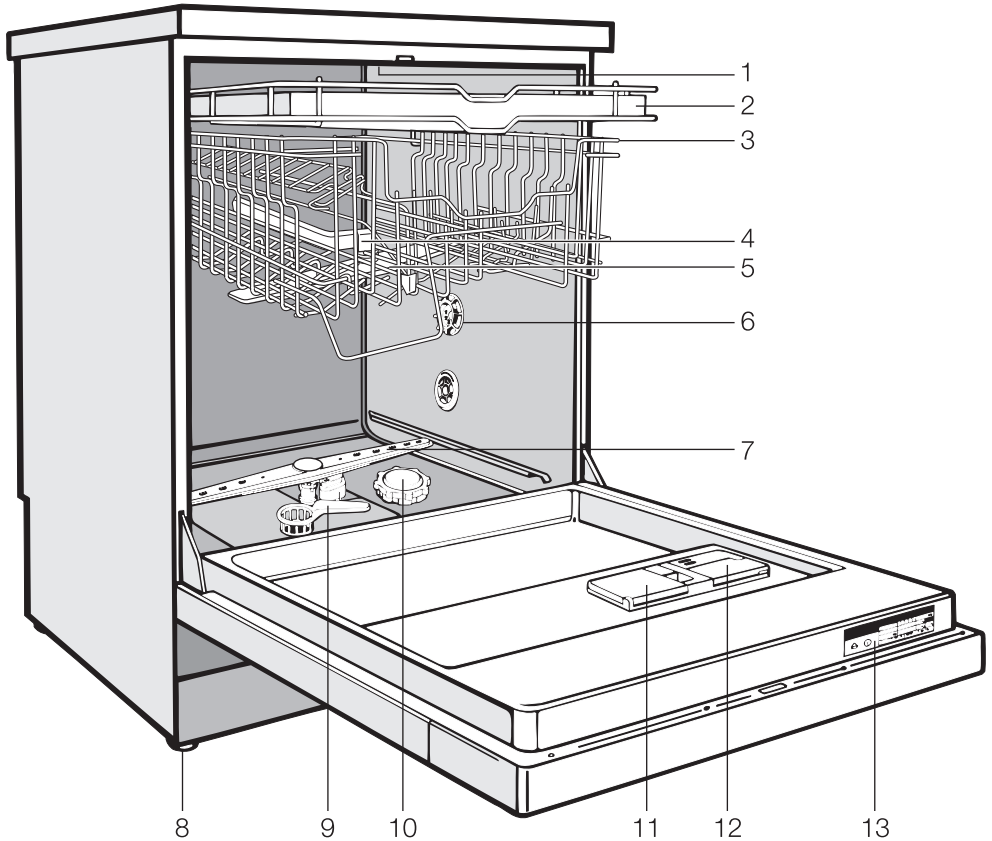
Contents

Guide to the appliance	4
View of the dishwasher	4
Control panel (fascia)	5
IMPORTANT SAFETY INSTRUCTIONS	6
INSTRUCTIONS IMPORTANTES SUR LA SÉCURITÉ	8
Caring for the environment	10
Disposal of the packing material	10
Disposal of an old machine	10
Energy saving washing	10
Before using for the first time	11
To open the door	12
To close the door	12
Child Safety Lock	12
Water softener	13
Programming and setting the water hardness level	14
Programming and changing the water hardness level	14
Setting the water hardness selector in the wash cabinet	15
Before using for the first time	16
Filling the salt reservoir	16
Salt indicator	17
Rinse aid	18
Adding rinse aid	18
Rinse aid indicator	19
Setting the dosage	20
Loading the dishwasher	21
Loading examples	22
Upper basket	22
Adjustable cup racks	23
Adjusting the upper basket	24
Lower basket	25
Glassware insert	26
Bottle holder	26
Cutlery	27
Items not suitable for dishwashers	28

Operating the dishwasher	29
Adding detergent	29
Program selection	30
Turning on the dishwasher	31
Starting a program	31
Program sequence indicator lights	32
Time display	32
Light ring	32
At the end of a program	33
Turning off the dishwasher	33
Interrupting a program	34
Changing a program	34
Additional features	35
“Top Solo”	35
Delay start	37
Unloading the dishwasher	39
Cleaning and care	40
“Filter” indicator light	40
Cleaning the filters in the wash cabinet	40
Cleaning the spray arms	42
Cleaning the wash cabinet	43
Cleaning the door and the door seal	43
Cleaning the control panel	43
Cleaning the door panel	43
Problem solving guide	44
Solving problems	52
Cleaning the water intake filter	52
Cleaning the drain pump and non-return valve	53
After sales service	55
Special accessories	56
Transport	57
Program chart	58
Technical data	60

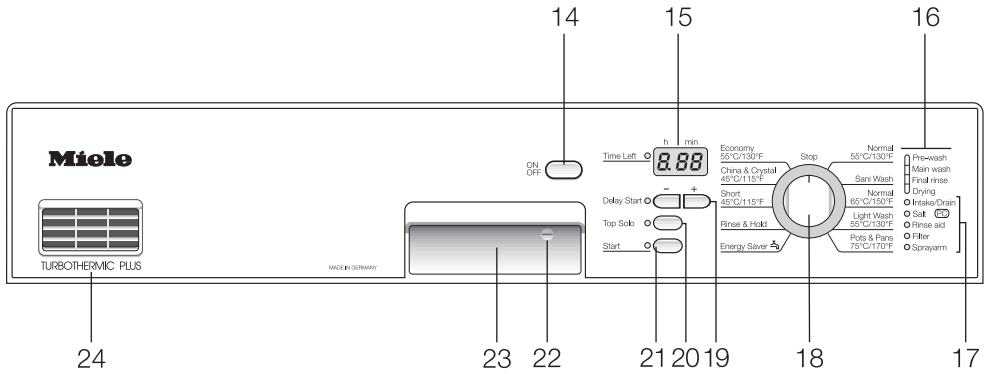
Guide to the appliance

View of the dishwasher



- | | |
|-----------------------------------|---|
| 1 Upper spray arm (not visible) | 8 Four height adjustable feet |
| 2 Cutlery tray (select models) | 9 Filter combination |
| 3 Upper basket | 10 Salt reservoir |
| 4 Water feed for middle spray arm | 11 Dual compartment detergent dispenser |
| 5 Middle spray arm | 12 Rinse aid reservoir (with dosage selector) |
| 6 Water hardness selector | 13 Data plate |
| 7 Lower spray arm | |

Control panel (fascia)



- 14 "On/Off" button
- 15 Time display
- 16 Program sequence display
- 17 Check/Refill indicators
- 18 Program selector with light ring
- 19 "Delay Start" buttons
- 20 "Top Solo" button
- 21 "Start" button
- 22 Child safety lock
- 23 Door release
- 24 Vent for drying fan

IMPORTANT SAFETY INSTRUCTIONS

WARNING

Please follow all basic safety precautions when operating this dishwasher.

This appliance conforms with all uniform safety codes and regulations. To avoid injury and machine damage, read the operating instructions carefully.

The manufacturer cannot be held responsible for damage or injury caused by improper use or for uses other than those for which the appliance is intended.

■ Repairs should only be performed by a qualified and competent person. Disconnect the appliance from the power supply before servicing (pull out the plug or “trip” the circuit breaker).

■ This dishwasher should only be installed under a continuous countertop secured to adjacent cabinetry.

■ The dishwasher must be electrically grounded. Install the dishwasher as outlined in the included Installation instructions.

■ Only use detergents and rinse aids recommended for residential dishwashers.

■ Do not use the dishwasher unless all panels are in place.

■ Do not allow children to play in or on the dishwasher.

■ Keep all detergents and rinse aids out of the reach of children.

■ Dishwasher detergents contain Sodium Silicate and Sodium Carbonate. In case of eye contact, immediately flush with water. Call a physician or poison control.

■ Do not tamper with the controls.

■ Do not drink water from the dishwasher.

IMPORTANT SAFETY INSTRUCTIONS

- When loading dishes and cutlery:
 - Place sharp items away from the door seal to prevent damaging the seal.
 - Load knives pointing down to prevent injuries.
- Do not wash plastic items unless they are labeled “dishwasher safe”. For items not labeled, check the manufacturer’s recommendations.
- Do not abuse, sit, or stand on the door or baskets of the dishwasher.
- When disposing of a dishwasher, unplug it from the outlet, remove the front door and cut off the power cord. This will help protect children from injury and accidentally locking themselves in.
- Under certain conditions, hydrogen gas may be produced in a hot water system that has not been used for two weeks or more. **HYDROGEN GAS IS EXPLOSIVE.** If the hot water system has not been used for such a period, turn on all hot water faucets and let the water flow from each for several minutes before using the dishwasher. This will release any accumulated hydrogen gas. Do not smoke or use an open flame during this time.

SAVE THESE INSTRUCTIONS

INSTRUCTIONS IMPORTANTES SUR LA SÉCURITÉ

AVERTISSEMENT

Au moment d'utiliser votre lave-vaisselle, veuillez observer toutes les mesures de sécurité de base.

Cet appareil électroménager est conforme à tous les règlements et codes sur la sécurité. Pour éviter de vous blesser et d'endommager l'appareil, veuillez lire soigneusement les instructions sur l'utilisation.

Le fabricant ne peut être tenu responsable des dommages ou blessures causés par une utilisation inadéquate ou par des utilisations autres que celles auxquelles l'appareil est destiné.

- Les réparations doivent être effectuées uniquement par une personne compétente. Débrancher l'appareil de la prise de courant avant d'en faire l'entretien (enlever la fiche de la prise ou fermer le disjoncteur).
- Installer uniquement ce lave-vaisselle sous un comptoir continu qui est fixé à des meubles adjacents.
- Vous devez mettre le lave-vaisselle à la terre. Installer le lave-vaisselle en observant les instructions pour l'installation ci-jointes.
- Utiliser uniquement des détergers et des produits de rinçage recommandés pour les lave-vaisselle domestiques.
- Ne pas utiliser le lave-vaisselle à moins que tous les panneaux soient bien en place.
- Ne pas permettre aux enfants de jouer dans ou sur le lave-vaisselle.
- Ranger tous les détergers et produits de rinçage hors de la portée des enfants.
- Les détergers pour lave-vaisselle contiennent du silicate de soude et du carbonate de soude. En cas de contact avec les yeux, les rincer immédiatement à grande eau. Téléphoner à un médecin ou à un centre de traitement antipoison.
- Ne pas modifier les commandes.
- Ne pas boire l'eau du meuble de lavage.

INSTRUCTIONS IMPORTANTES SUR LA SÉCURITÉ

■ Au moment de remplir le lave-vaisselle :

- Mettre les articles pointus de manière à ce qu'ils n'endommagent pas le seau étanche de la porte.
- Mettre le tranchant des couteaux vers le bas afin d'éviter les risques de blessure.

■ Ne pas laver les articles en plastique à moins qu'ils n'indiquent "Va au lave-vaisselle". Vérifier les recommandations du fabricant pour les articles non étiquetés.

■ Ne pas abuser et ne pas vous asseoir ni vous tenir sur la porte ou sur les paniers du lave-vaisselle.

■ Enlever la porte et couper le cordon du lave-vaisselle avant de l'enlever aux déchets afin d'empêcher les enfants de se blesser ou de s'enfermer dans l'appareil par accident.

■ Dans certaines conditions, un système d'eau chaude qui n'a pas été utilisé pendant plus de deux semaines, peut dégager de l'azote. L'AZOTE EST EXPLOSIF. Si le système d'eau chaude n'a pas été utilisé pendant une telle période de temps, ouvrir tous les robinets d'eau chaude et laisser l'eau couler pendant plusieurs minutes avant d'utiliser le lave-vaisselle. Ceci dissipera tout l'azote accumulé. Ne pas fumer ni utiliser une flamme nue durant ce temps.

CONSERVER CES INSTRUCTIONS.

Caring for the environment

Disposal of the packing material

The cardboard box and packing material protects the appliance during shipping. These materials are biodegradable and recyclable, please recycle.

Disposal of an old machine

Before disposing of an appliance make sure that the machine has been made safe as outlined in the “Important Safety Instructions” by removing power cords and doors.

Energy saving washing

This dishwasher is exceptionally economical in the use of water and electricity. For best results follow these tips:

The dishwasher can internally heat water to the temperatures required by the wash program. This capability allows the option of connecting the machine to either a hot or cold water source.

- For lowest energy consumption and the gentlest washing of china and crystal, connect the dishwasher to a cold water source.
- For fastest possible wash times, yet higher energy consumption, connect the dishwasher to a hot water source.
- Make full use of the baskets without overloading for the most economical washing.
- For small loads:
Select the “Top Solo” function (see “Additional features”).
- Choose a program that best suits the degree of soiling and the type of dishes being washed.
- If baskets are only half full, select the “Economy” program.
- Use the correct amounts of detergent and rinse aid.

Before using for the first time

Before using for the first time, please note the following.

Setting the water softener

The water softener must be set to correspond to the water hardness in your area. The water hardness can be determined by calling your local water company, or by using a test kit that can be purchased from the Miele Technical service Department.

The salt reservoir must only be filled with water and salt. Never fill it with detergent.

Adding rinse aid

Accidentally filling the rinse aid reservoir with detergent will damage the reservoir.

Only use detergents and rinse aids formulated for domestic dishwashers.

Choose the correct program

Wash programs should be selected depending on load size and degree of soiling. See the Program Chart for program descriptions.

Add correct detergent amount

Generally, 1 ½ tablespoons (25 ml) of detergent is enough for most normally soiled loads. Not enough or too much detergent can lead to poor wash results. See "Adding detergent".

Cleaning results vary among detergent brands. If you are not satisfied with the wash results, try another brand of detergent.

Load dishes correctly

Load dishes so that water can reach all surfaces. Check that the spray arms are not blocked by tall or large items. If necessary, manually rotate the spray arms to check clearance.

The combination filter in the base of the wash cabinet and the spray arms must be kept clean.

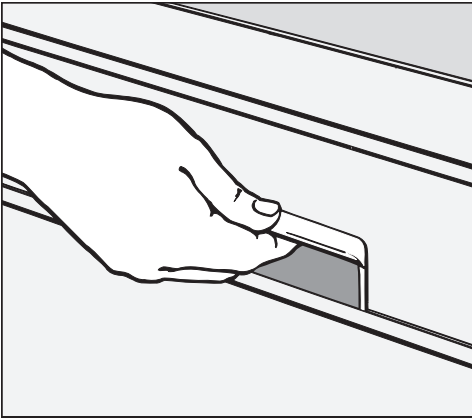
These should be regularly inspected and cleaned.

See the "Cleaning and care" section for more detailed information.

Every dishwasher is tested before leaving the factory. Any water remaining in the machine is from these tests and does not indicate that the machine has been used.

Before using for the first time

To open the door



- Press the release catch inside the door grip.

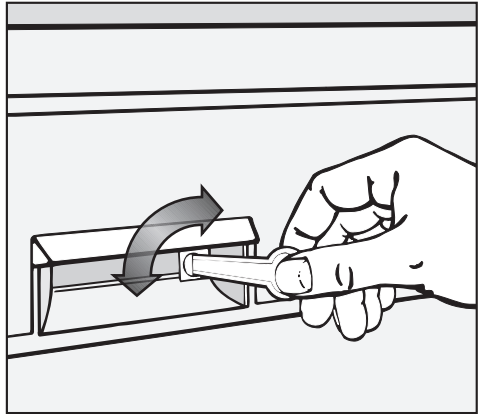
If the door is opened during operation, all functions will be interrupted.

To close the door

- Push the baskets in.
- Lift the door and push until it clicks into position.

Child Safety Lock

The yellow key for the Child Safety Lock is shipped on one of the spikes at the front of the upper basket. Remove the key before using the dishwasher.



The Child Safety Lock is designed to prevent children from opening the dishwasher.

- Use the provided key to lock or unlock the Child Safety Lock.



Horizontal =
the door is locked



Vertical =
the door can be opened

Before using for the first time

Water softener

To achieve good cleaning results, the dishwasher needs soft water. Hard water results in the build up of calcium deposits on tableware and in the dishwasher. If your tap water hardness is above 8 gr/gal (140 ppm), the water should be softened. This takes place automatically in the integrated water softener.

- The water softener must be filled with dishwasher salt for reactivation.
- The dishwasher must be programmed to correspond to the water hardness in your area.
- Your local water authority will be able to advise you of the water hardness level in your area.

If the hardness of your tap water is constantly lower than 8 gr/gal (140 ppm), do not add dishwasher salt. However, the dishwasher must still be programmed to correspond to the water hardness level in your area.

Where the water hardness fluctuates e.g. between 9 - 17 gr/gal (160 - 310 ppm), always program the machine to the higher value (17 gr/gal, 310 ppm in this example).

If there is a fault, it will help the service technician to know the hardness of your tap water.

■ Enter the water hardness below:

_____ gr/gal (ppm)

Settings

gr/gal	ppm	Setting shown in time display
1	20	1
2	40	2
3	50	3
4*	70	4
5	90	5
6	110	6
7	130	7
8	140	8
9	160	9
10	180	10
11	200	11
12	220	12
13	230	13
14	250	14
15	270	15
16	290	16
17	310	17
18	320	18
19	340	19
20	360	20
21	380	21
22	400	22
23	410	23
24	430	24
25	450	25
26	470	26
27	490	27
28	500	28
29	520	29
30	540	30
31	560	31
32	580	32
33	590	33
34	610	34
35	630	35
36-70	650-1260	36

* The dishwasher is programmed at the factory for a water hardness level of 4 gr/gal (70 ppm).


Before using for the first time

Programming and setting the water hardness level

The water hardness level of your water supply must be programmed into the dishwasher using the buttons on the control panel. The water hardness selector in the wash cabinet is then also set to the water hardness level in your area.

Programming and changing the water hardness level

The water hardness level which has been programmed into the machine can be checked and adjusted by using the buttons on the control panel.

- Turn the appliance off with the “On/Off” button.
- Press  and “Start” simultaneously and at the same time turn the dishwasher on using the “On/Off” button.

A “P” and 2 figures will appear in the time display.

- Turn the program selector to “Sani Wash”.

The value corresponding to the programmed water hardness level e.g. “22” will appear in the time display. The water hardness level is 22 gr/gal (400 ppm).

If the water hardness level in memory is the correct one:

- Turn the appliance off with the “On/Off” button.

If you wish to program a different water hardness level:

- Press the “Top Solo” button repeatedly until the value corresponding to your water hardness level appears in the display. This figure will be in gr/gal. For instance if your water hardness level is 30 gr/gal (540 ppm) then the figure “30” will show in the display.

Note:

Once the figure “36” is reached the counter returns to “1”.

- Press the “Start” button. “SP” appears in the time display.
- Press the “Start” button again.

The new water hardness level is stored in memory.

The running time of the program which the selector dial is set to is now shown in the display in hours and minutes. The “Time Left” indicator next to the time display lights up.

- Turn the program selector to the “Stop” position.
- Turn off the dishwasher with the “On/Off” button.

Before using for the first time

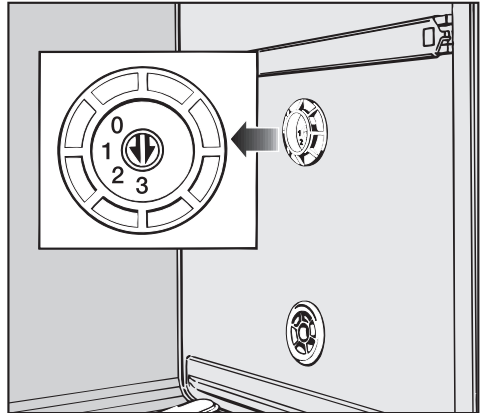
Setting the water hardness selector in the wash cabinet

- Turn off the dishwasher with the “On/Off” button.

The water hardness selector in the wash cabinet must be set according to the following table.

The correct water hardness setting will enhance wash results. Too high a setting will lead to poor cleaning results and an increase in water spots left on glasses, dishes and cutlery.

- Use a screwdriver to take the cover off the water hardness selector in the wash cabinet.



- Use a coin or screwdriver to adjust the water hardness selector. There is a click as each setting is reached.

gr/gal	ppm	Selector setting (level)
1- 7	20- 130	3
8-10	140- 180	2
11-14	200- 250	1
15-70	270-1260	0

The water hardness selector is preset to setting “3”.

Example:

For a water hardness level of 8 gr/gal (140 ppm).

Turn the water hardness level selector to setting 2 (8 - 10 gr/gal).

- Return the cover on the water hardness selector.

Before using for the first time

Filling the salt reservoir

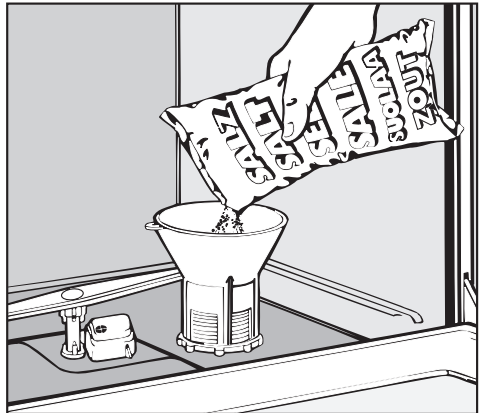
If your water hardness level is greater than 8 gr/gal, the salt reservoir should be filled before the first use and when the “Salt” indicator lights. Only use water softener reactivation salt (1 - 4 mm grain size); other salts may contain insoluble additives which can impair the water softener.

The salt reservoir holds approximately 4 lbs (2 kg) of salt.

Inadvertently filling the salt reservoir with dishwashing detergent will damage the water softener. Make sure that only water softener reactivation salt of the proper grain size is used.

To fill the salt reservoir:

- Remove the lower basket.
- Unscrew and remove the salt reservoir cap.



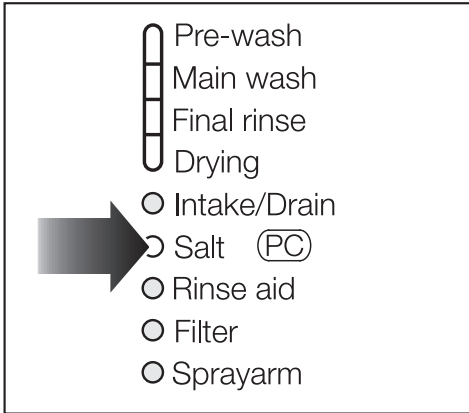
Before adding salt for the first time, fill the reservoir with approximately 2 quarts (2 l) of water.

- Place the provided funnel over the salt reservoir.
- Carefully fill with salt, grain size of 1 - 4 mm. The salt reservoir holds approximately 4 lbs (2 kg) of salt depending of the brand used. As it is filled, water will run out.
- Clean any excess salt from the threads of the reservoir opening.
- Screw the cap on firmly.

If the dishwasher will not be used immediately after reactivation, run the “Rinse & Hold” program. This will remove any traces of salt from inside the wash cabinet.

Salt indicator

When the salt reservoir is empty, the “Salt-PC” indicator will light, indicating that it should be refilled with reactivation salt.



After the reservoir has been filled, the water softener is automatically reactivated the next time the dishwasher is started. The “Softener” indicator will light during this process.

Note:

If your water is soft (below 8 gr/gal) the salt reservoir should not be filled with salt. The indicator will remain lit and should be disregarded or deactivated.

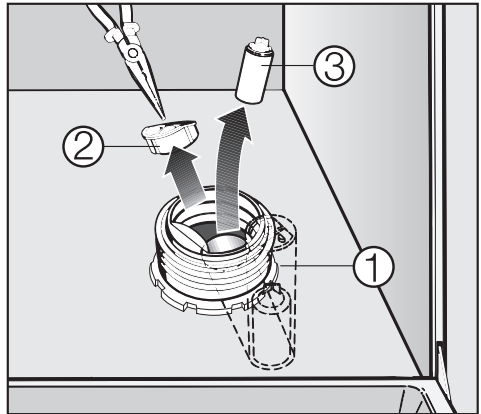
The “Salt-PC” indicator has also been designed so that future program updates can be entered into the dishwasher. See the “After Sales Service”.

Bypassing the Salt indicator

To bypass the salt indicator, you will need a screwdriver and needle nose pliers.

- Remove the salt reservoir cap.

Looking into the salt reservoir, you will see the top of the float chamber on the right hand side ①.



- Using a screwdriver, carefully pivot the float chamber towards the center of the reservoir.
- Using needle nose pliers, pull off the cap ② from the float chamber and remove the float ③.
- Replace the float chamber cap, push the chamber back into its upright position, and replace the salt reservoir cap. The indicator should now remain off.

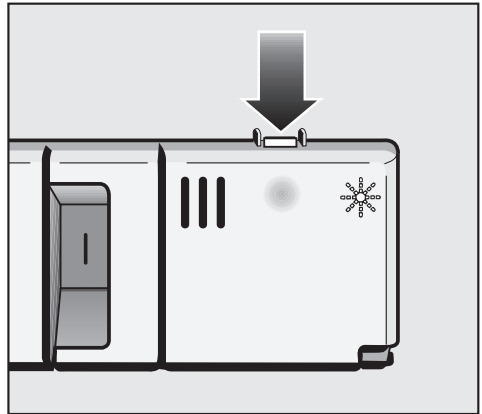
Before using for the first time

Rinse aid

Rinse aid is recommended to prevent spotting on dishes and glassware that normally occurs during the drying cycle.

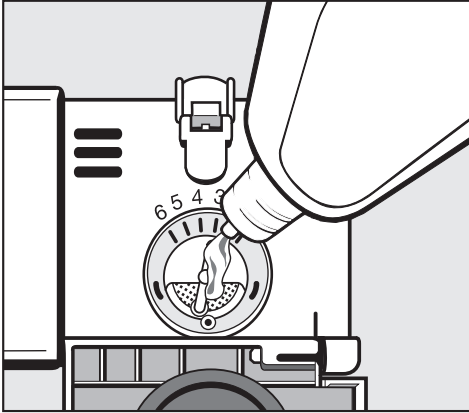
Filling the rinse aid reservoir with detergent will damage the reservoir. Only pour rinse aid formulated for residential dishwashers into the reservoir.

Adding rinse aid



- Add rinse aid before the first use and when ever the “Rinse aid” indicator lights.
- Press the button in the direction of the arrow until the flap springs open.

Before using for the first time



- Pour liquid rinse aid into the reservoir until it is visible on the surface of the screen. Do not refill until the “Rinse aid” indicator lights.

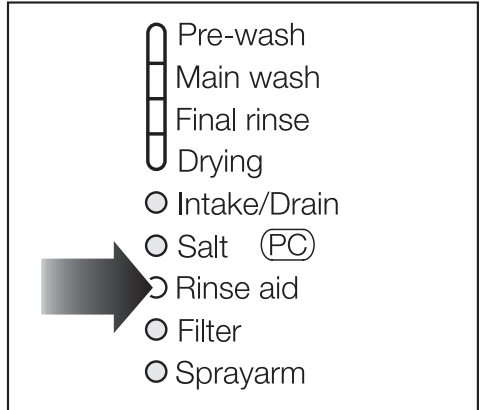
Only use rinse aid labeled for residential dishwashers. Inadvertently adding detergent to the rinse aid dispenser will damage the dispenser.

- Press on the flap until you hear it click shut. Failure to close it all the way will allow water to enter the reservoir during the wash program.
- Wipe up any spilled rinse aid.

The flap will remain closed during normal operation.

Rinse aid indicator

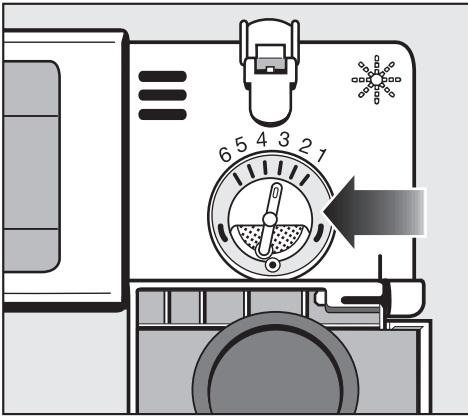
The rinse aid indicator on the control panel will light when the rinse aid reservoir needs refilling.



There will be enough rinse aid left for 2 - 3 washes after it first lights.

Before using for the first time

Setting the dosage



The dosage selector is preset to 3. This dispenses approximately 3 ml of rinse aid per program. It can be adjusted from 1 to 6, depending on your needs.

- Use a higher setting if spots appear on dry glassware.
- Use a lower setting if streaking appears on dishes or glasses.

Loading the dishwasher

Do not wash items soiled with ash, wax, grease or paint in the dishwasher.

Ash does not dissolve and will be distributed through out the inside of the dishwasher. Wax, grease and paint will cause permanent discoloration or damage to the dishwasher.

- Scrape food from dishes before placing in the dishwasher but, do not rinse dishes.
- Load dishes so that water can reach all surfaces.
- Do not place dishes and cutlery inside other pieces where they may be hidden.
- Hollow items such as cups and glasses should be inverted and placed in the upper basket.
- Concave based items should be placed at an angle on top of the coffee bar, so that water does not pool.
- To ensure good water coverage tall, narrow, hollow pieces should be placed in the center of the basket, rather than in the corners.

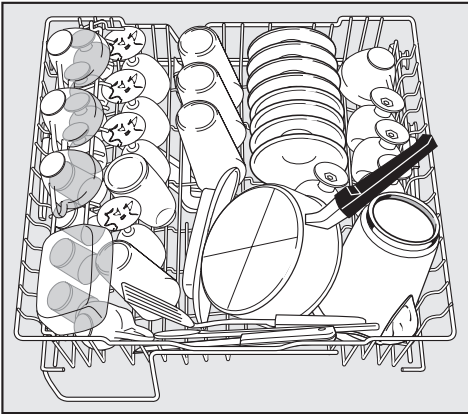
- Small cups and glasses should be placed on the cup racks. Taller mugs and glasses can be placed underneath the rack.
- The spray arms must not be blocked by items that are too tall or hang through the baskets. Check clearance by manually rotating the spray arms.

Some food may contain natural dyes that can discolor plastics in the dishwasher (e.g. carrots, tomatoes, ketchup, etc.). The stability of plastic items are not affected by this discoloration.

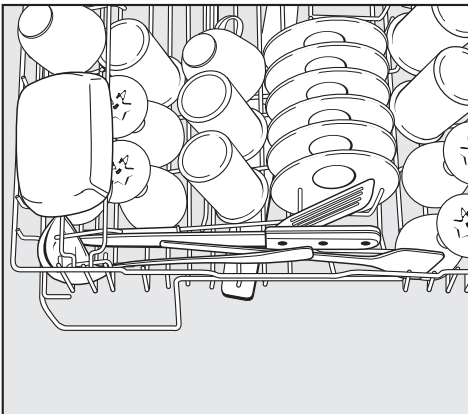
Loading the dishwasher

Loading examples

Upper basket



For small, lightweight, or delicate items such as cups, saucers, glasses, and dessert bowls. Flat pans can also be placed in the upper basket.



Long items such as soup ladles, mixing spoons and knives should be placed across the front of the top basket.

Using “Top Solo”

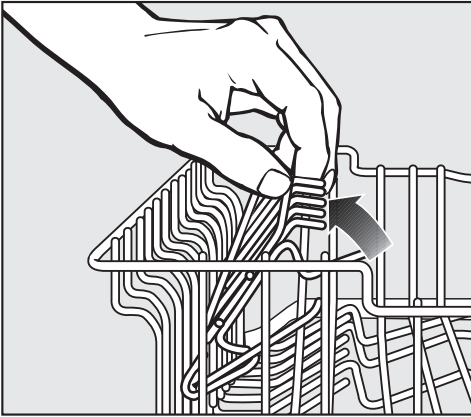
If “Top Solo” has been selected for use with a wash program, all items must be loaded into the upper basket and cutlery tray. If your machine has a cutlery basket, space the items so that water can reach all sides of the cutlery.

Lightly soiled plates or platters can also be placed in the lower basket if they are spaced. Do not place dishes, pans or other hollow items in the lower basket when using “Top Solo”.

See “Additional features” for more information on “Top Solo”.

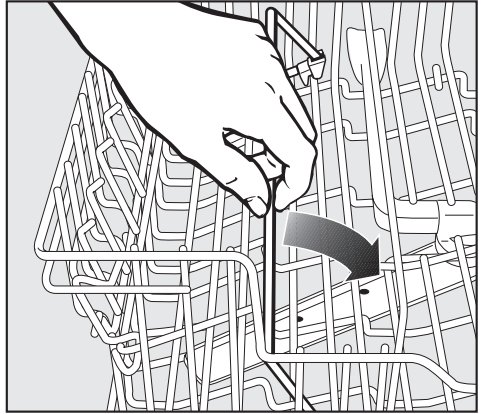
Loading the dishwasher

Adjustable cup racks



To make room for tall glasses raise the rack and lower it to double stack smaller pieces.

Coffee bar (select models)



To allow water to run off the bottom of coffee mugs, place slanted on top of the coffee bar. The bar can also be used to separate two rows of glasses to protect them from leaning against each other. To stack wide items, flip the bar to the right.

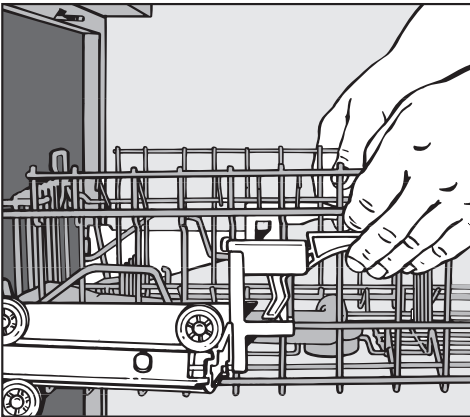
Loading the dishwasher

Adjusting the upper basket

The upper basket height is adjustable. If tall items are being washed, more room can be created by raising or lowering the upper basket.

Do not set the angle to the extreme; one side at the highest setting and one side at the lowest. This will block the middle spray arm.

- Slide the upper basket out.



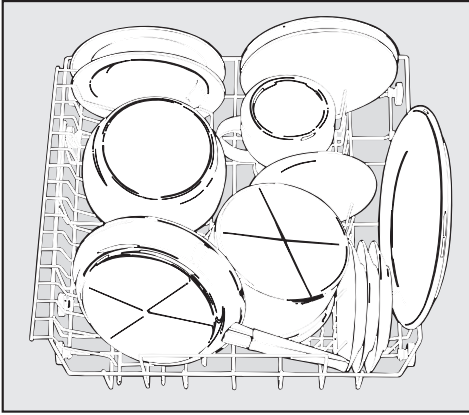
- Pull up the levers at the sides of the upper basket and adjust the basket height.
- Release the levers and the basket will lock in place.

Depending on the setting of the upper basket, the following plate dimensions can be accommodated:

Upper Basket position	Plate diameter	
	Upper basket	Lower basket
Upper	7 3/4" 20 cm	11 3/4" 30 cm
Middle	8 1/2" 22 cm	11" 28 cm
Lower	9 3/8" 24 cm	10 1/4" 26 cm

Loading the dishwasher

Lower basket

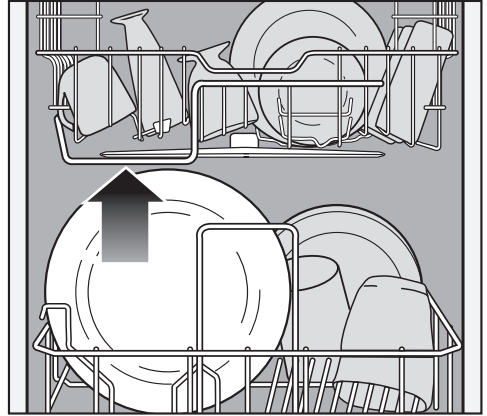


For larger and heavier items such as plates, serving platters, sauce pans, bowls.

Small items such as saucers can also be placed in the lower basket.

Do not place thin, delicate glassware in the lower basket unless a special glassware insert or lower basket is installed.

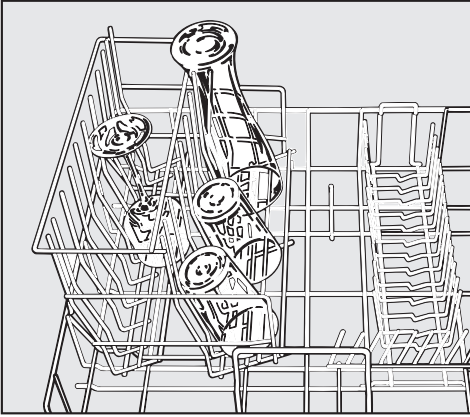
Height limit



The guide at the front of the upper basket determines the maximum height for items placed in the lower basket so that the middle spray arm is not blocked.

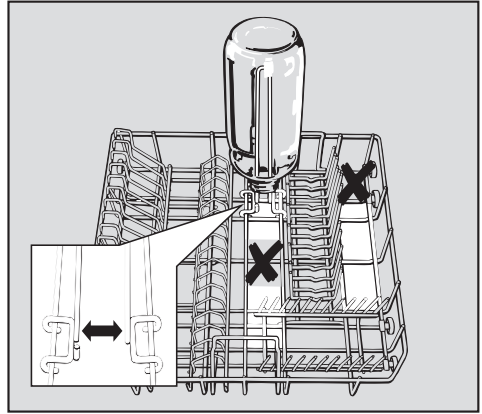
Loading the dishwasher

Glassware insert



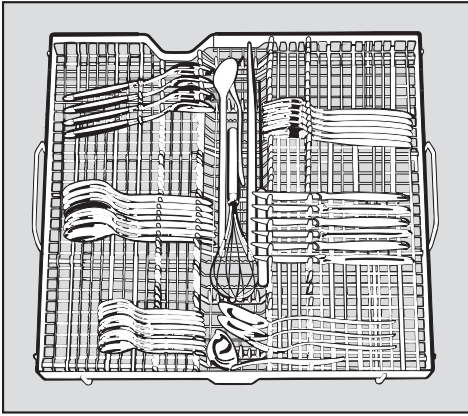
The insert for glasses can be fitted in the left or right of the bottom basket in place of a removable insert. Very tall glasses can be held more securely by the vertical supports.

Bottle holder



The bottle holder e.g. for milk or baby bottles, can be inserted into the bottom basket in more than one place. Position in any area marked white in the illustration. Do not position in areas marked "X", water cannot properly cover bottles in these areas.

Cutlery



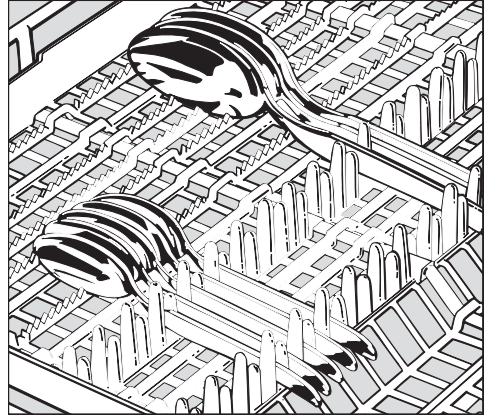
For best results cutlery should be grouped in zones, one for knives, one for forks, etc. making unloading easier.

Place the blades of knives and the tines of forks between the holders. Spoons should be placed in the opposite direction with the handles between the holders.

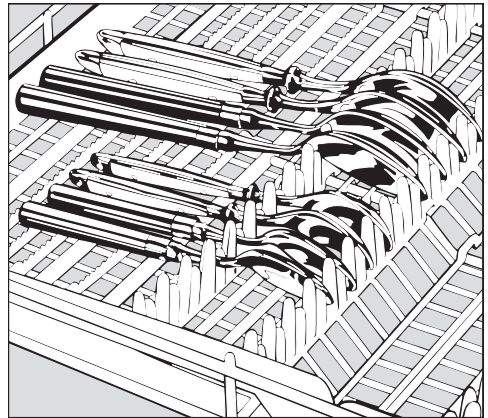
Longer items such as soup ladles, mixing spoons and long knives should be placed lengthwise in the indentation in the middle of the cutlery tray.

The upper spray arm must not be blocked.

The cutlery tray insert is removable (select models).



Spoon heads should be placed so that water runs off freely.



If the spoon handles do not fit between the holders then position them like the forks and knives.

Loading the dishwasher

Items not suitable for dishwashers:

- Cutlery with wooden handles.
- Wooden cutting boards.
- Glued items such as old knives with handles that are glued together around the shank of the blade.
- Hand made craft items, antique or decorative glassware.
- Copper, brass or tin.
- Plastic items that are not heat resistant.

Please note:

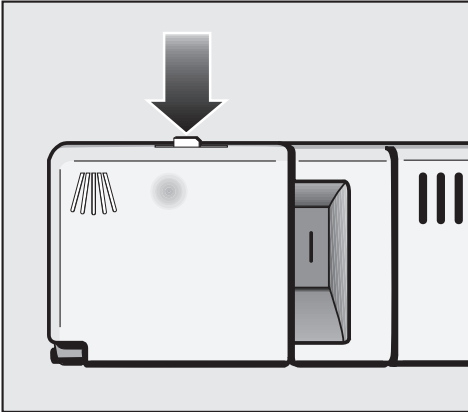
- Silver or aluminum items may tarnish.
- Silverware previously cleaned with a silver polish may be damp or spotted at the end of a program where water has adhered to the polish. This can be rubbed off with a soft, dry cloth. Silver that has been cleaned in an immersion dip is usually dry at the end of a program, but may tarnish.
- If let to dry, foods containing sulfur can discolor silver. These include egg yolk, onions, mayonnaise, mustard, legumes, fish, fish brine and marinades.
- Color painted over the glaze of dishes may fade over time.
- Clouding or etching may occur on glasses after frequent washing.

Miele recommends:

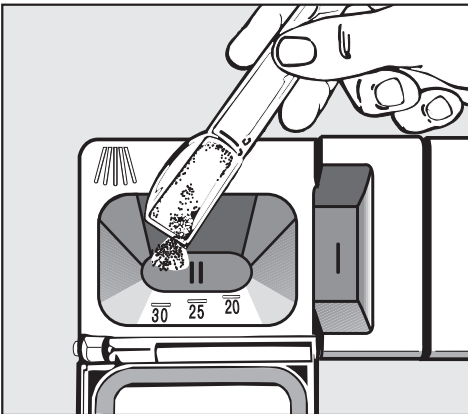
- Wash delicate glassware using the “Economy” program or the “China & Crystal” program to reduce the risk of clouding.
- There are no standard guidelines for washing glassware but, when in doubt wash by hand.
- When purchasing new dishes and cutlery, make sure they are dishwasher safe.
- If crystal or delicate glasses will be washed frequently, connect the dishwasher to cold, rather than hot water.

Adding detergent

Only use powder detergents or tablets formulated for residential dishwashers. Do not use gels or liquid detergents.



- Press the latch on the detergent dispenser. The cover will spring open.



- Fill the dispenser with 1 ½ tablespoons of powder detergent, or place a detergent tablet into compartment II.

- Close the cover. The cover will always be open at the end of a wash program (except "Rinse & Hold").

Generally, filling the dispenser with 1 ½ tablespoons (25 ml) of detergent is enough for most normally soiled loads. For heavily soiled loads, or if food has dried on the dishes, a program containing a prewash cycle should be selected. Add an extra tablespoon (15 ml) of detergent to compartment I, or place directly on the inner door panel.

Dishwasher detergents contain irritant and corrosive ingredients. They can cause burns in the mouth and throat if swallowed, or inhibit breathing. Keep children away from detergent and from the dishwasher when the door is open.

To prevent children from coming into contact with dishwasher detergent, do not fill the detergent dispenser until you are ready to start the dishwasher.

Capacities:

Compartment I (prewash) holds a maximum of 3/4 ounce (20 ml) and Compartment II (main wash) holds a maximum of 2 3/4 ounces (70 ml) when completely filled. The horizontal marks in Compartment II indicate levels of approximately 3/4, 1, and 1 1/4 ounces (20, 25 and 30 ml) respectively.

Operating the dishwasher

Program selection

Choose a wash program depending on the type of dishes and the degree of soiling.

In most cases the “Light Wash”, “Normal” or “Sani Wash” program will give excellent results.

Available programs and their applications are listed in the Program Chart. The “Top Solo” feature can be used with each of these programs.

For further information on “Top Solo”, see “Additional features”.

“Energy Saver” Program

Approximately 0.20 kWh of electricity is used during this cycle.

- Use this program for light to normally soiled dishes. The water is not heated in this program.

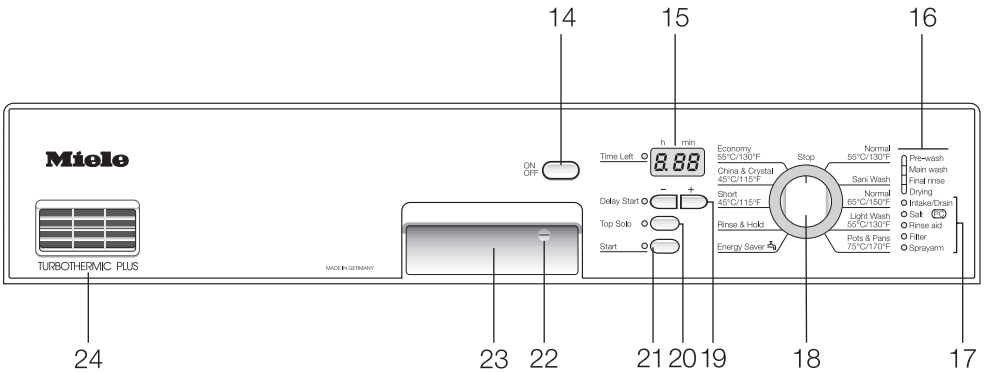
The dishwasher must be connected to hot water of at least 45 °C/115 °F for this program to clean well.

The drying result may not match that of a program with a full drying cycle.

The higher the temperature of the incoming water, the better the washing and drying results will be.

- Opening the door of the dishwasher 2-3 inches (5-6 mm) at the end of the program will speed drying.

Operating the dishwasher



Turning on the dishwasher

- Check that the spray arms are not blocked.
- Close the door.
- Open the water valve, if closed.
- Press the “On/Off” button (14).

The light ring around the program selector (18) and the decimal point in the time display (15) light.

Starting a program

- When selecting a program, refer to the program chart of the operating instructions.
- Turn the program selector (18) clockwise or counterclockwise to the selected program.

The running time of the program selected shows in the time display (15) in hours and minutes. The “Time Left” indicator light next to the time display (15) and the “Start” indicator (21) light up.

Note:

If selecting “Delay Start” or “Top Solo” this must be done before the program is started (see “Additional features”).

- Press the “Start” button (21).

The program begins. The “Start” indicator light (21) goes out and the “Pre-wash” or “Main Wash” indicator light (16) comes on.

Do not finish a program prematurely or important program stages (e. g. reactivating the water softener) could be omitted.

Operating the dishwasher

Program sequence indicator lights (16)

Once a program has been started the program sequence indicator lights (16) show which stage of a program is currently in progress.

Time display (15)

The running time of the program selected shows in the time display (15) in hours and minutes before a program is started. During a program the time left until the end of the program is displayed. The "Time Left" indicator light next to the time display lights.

The time displayed for a program may vary. This is because of the water inlet temperature at each intake and because of the load size being washed.

When the dishwasher is turned on the display shows an average time for a cold water intake.

Times shown in the program chart refer to normal loads and average temperatures and are for guidance only.

Each time a program is run the electronic unit takes into account the new conditions and calculates the program time required. This new figure is then displayed.

Light ring (18)

The light ring illuminates when the dishwasher is turned on and goes out at the end of a program.

It will come on again if the program selector is turned to "Stop" or the door is opened and then closed again.

If the "Delay Start" function is activated the light ring will go out 10 minutes after you have set the delay start time.

It will come on again for 10 minutes if a button on the control panel is pressed or if the program selector is moved during this delay period.

At the end of a program

A program has finished when there are no indicator lights illuminated in the program sequence display (16) and “0” appears in the time display (15).

The dishwasher can now be opened and unloaded (see “Unloading the dishwasher”).

If the dishwasher is not opened the fan will continue for a few more minutes to remove any remaining moisture. This process is not part of the program time.

Only open the door immediately after a program has ended if dishes or cutlery are urgently needed.

Always turn the dishwasher off if another program will not be started immediately.

Turning off the dishwasher

At the end of a program:

- Turn the program selector (18) to “Stop”.

The decimal point in the time display (15) and the light ring around the program selector light.

- Press and release the “On/Off” button (14).

The decimal point in the time display (15) and the light ring around the program selector go out.

The dishwasher continues to use electricity until turned off using the “On/Off” button.

If the dishwasher is not to be used for a longer period of time, e. g. while vacationing, the water valve should be turned off.

Operating the dishwasher

Interrupting a program

A program is interrupted as soon as the door is opened.

If the door is closed again, the program will continue from the point it was at before the door was opened.

Warning:

Water in the dishwasher may be hot. There is a danger of being burned!

Only open the door if absolutely necessary and exercise extreme caution when doing so. Before closing the door again, leave it ajar for approximately 20 seconds. This will allow the temperature in the wash cabinet to settle. Close the door firmly until it clicks into place.

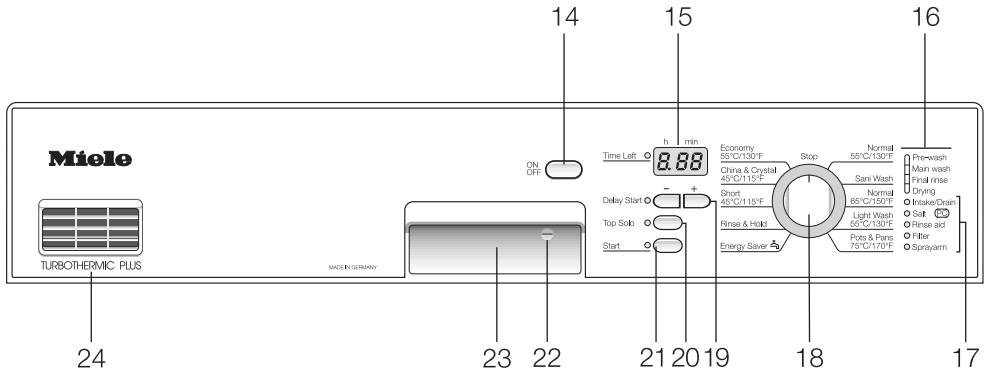
Changing a program

If a program has already started and you wish to change it proceed as follows:

- Turn the program selector (18) to the "Stop" position.
- Leave the program selector (18) in this position for at least one second.
- Then turn the program selector (18) to the program you wish to use.
- Press the "Start" button (21).

The program starts.

Additional features



“Top Solo” (20)

“Top Solo” is recommended when there is only a small load to clean. With this function most of the water is directed only to the top and middle spray arms in the dishwasher. This means that the water jets are only aimed at items in the upper basket and the cutlery tray if the dishwasher has one.

As the middle spray arm also directs water downwards, lightly soiled plates or platters can be placed in the bottom basket, and cutlery may be placed in the cutlery basket if there are large spaces between pieces.

Do not place dishes, bowls or other hollow containers in the bottom basket.

Because a smaller load is being washed the amount of detergent recommended can be reduced to approximately 2/3 of the total amount for the full load.

When reducing the amount of detergent make sure that the cleaning result is not affected.

Using “Top Solo” saves water and energy.

For example, using this function with the “Economy 55 °C/130 °F” program uses only 11 quarts (11 l) of water and approximately 0.8 kWh of electricity.

The “Top Solo” function can be selected with all programs.

Operating the dishwasher

- Turn the dishwasher on using the “On/Off” button (14).

The light ring around the program selector (18) and the decimal point in the time display (15) will light.

- Turn the program selector (18) clockwise or counterclockwise to the selected program.

The running time of the program selected appears in the time display (15) in hours and minutes. The “Time Left” indicator next to the time display (15) and the “Start” (21) indicator illuminate.

- Press the “Top Solo” button (20).

The “Top Solo” indicator light (20) comes on.

The running time shown in the time display (15) for the program selected will change because the electronic unit has taken the “Top Solo” function into account.

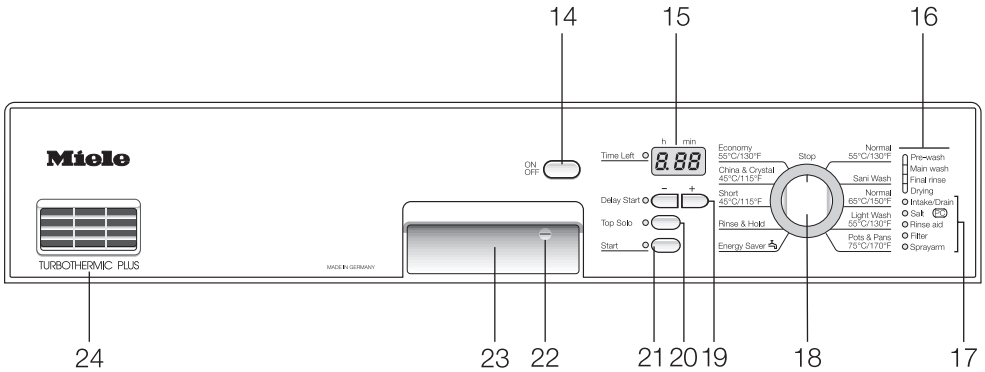
Note:

The “Delay Start” function can now be selected (see next page).

- Press the “Start” button (21).

The program begins. The “Start” indicator light (21) goes out and the “Prewash” or “Main wash” (16) indicator lights come on along with the “Top Solo” (20) indicator light.

The additional function is deleted from the program memory at the end of the wash cycle.



Delay start (19)

The starting time of a program can be delayed between 30 minutes and 24 hours.

With a delay start time between 30 minutes and 9 hours 30 minutes the delay is set in 30 minute stages. For 10 hours or more it is set in one hour periods.

- Turn the dishwasher on with the “On/Off” button (14).

The light ring around the program selector (18) and the decimal point in the time display (15) will light.

- Turn the program selector (18) clockwise or counterclockwise to the selected program.

The running time of the selected program appears in the time display (15) in hours and minutes. The “Time Left” indicator next to the time display (15) and the “Start” (21) indicator illuminate.

- Press button or (19).

The last delay start time used will show in the time display (15). The “Time Left” indicator light (15) goes out and the “Delay start” indicator (19) lights.

- Press button or (19), to reduce or increase the delay start time. If the button is held in the time will automatically increase or decrease.

Note:

“Top Solo” can now be selected (see previous page).

Operating the dishwasher

- Press the “Start” button (21).

The “Start” indicator (21) goes out, and the light ring goes out 10 minutes later. If one of the buttons on the control panel is pressed or the program selector is turned during the delay start period the light ring will be lit for another 10 minutes.

For delayed start times greater than 10 hours the delay time counts down in 1 hour periods until the delay start time has elapsed and in minutes for delay start periods under 10 hours.

Once the delay start period has elapsed the selected program begins automatically. The time left for a program to run then shows in the display, the “Delay Start” indicator light goes out and the “Time Left” indicator and the light ring illuminate.

How the delay start time is shown in the time display:

up to 59 minutes:

example - 30 minutes = **30**

between 1 hour and 9 hours 30 minutes:

example - 5 hours = **5.00**

10 hours and over:

example - 15 hours = **15h**

When using the “Delay Start” function, make sure that the compartment is dry before adding detergent. Wipe dry with a cloth if necessary.

Starting a program before the delay start period has elapsed:

A program can be started before the delay start period has elapsed. Proceed as follows:

- Turn the program selector (18) to “Stop”.
- Hold the selector in this position for at least one second.

The “Delay Start” indicator light (19) goes out.

- Turn the program selector (18) to the selected program.

Note:

If “Top Solo” was selected, then you will need to select it again.

- Press the “Start” button (21).

The program starts. The “Start” indicator light (21) goes out and the “Prewash” or “Main wash” indicator light (16) comes on.

To prevent children from coming into contact with dishwasher detergent: Only fill the detergent dispenser immediately before starting the program, i.e. before pressing the “Start” button, and activate the child safety lock.

Unloading the dishwasher

- Dishes tend to break and chip more easily when hot. Let dishes cool until they are comfortable enough to handle before unloading.
- Dishes will cool much faster if the dishwasher door is opened a few inches after a program has finished.
- First unload the lower basket, then the upper basket and cutlery tray. This will prevent water drops from the upper basket and cutlery tray from falling on dishes in the lower basket.

Cleaning and care

Check your dishwasher regularly (approx. every 4 - 6 months) to avoid faults and problems.

The dishwasher must not be used without all filters in place.

“Filter” indicator light

The filter combination in the base of the wash cabinet retains coarse soil from the suds solution, preventing it from entering the circulation system.

Collection of coarse soil may cause the filters to clog.

The level of soiling and time it takes before the filters need cleaning will vary depending on household.

The “Filter” indicator light comes on after every 40 program cycles. It serves as a reminder to check the filters in the wash cabinet.

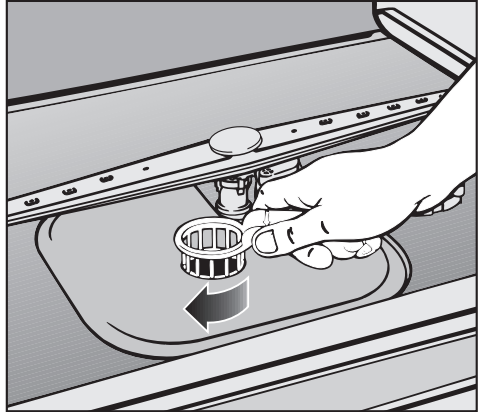
Check the filter combination whenever the “Filter” indicator light comes on, and clean if necessary.

- Turn the program selector to the “Stop” position, the “Filter” indicator light will then go out.

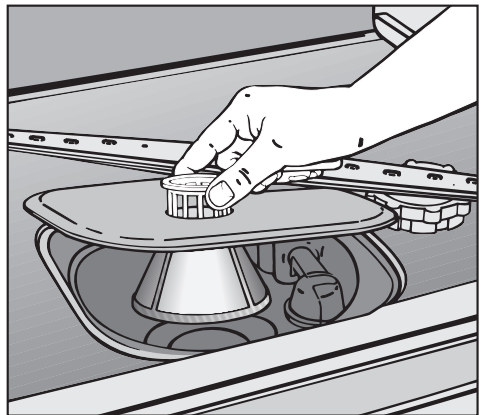
The “Filter” indicator light will also go out when the dishwasher is turned off.

Cleaning the filters in the wash cabinet

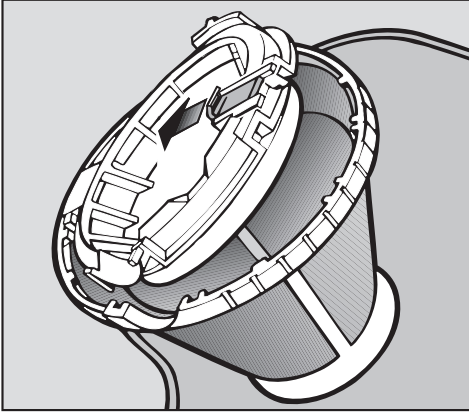
- Turn the dishwasher off.



- Turn the handle counterclockwise to release the filter combination.



- Lift the filter combination out of the machine. Remove any coarse particles and rinse the filter under running water. Use a nylon brush if necessary.

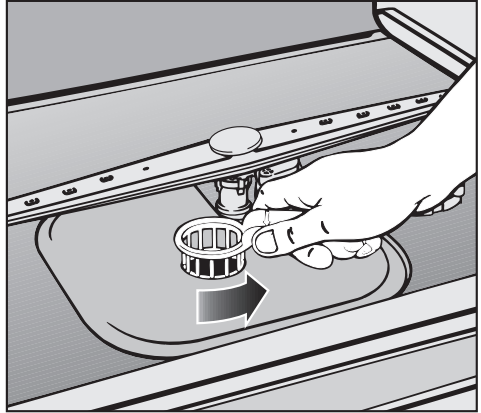


To clean the underside of the filter, the flap must be opened:

- Pull back the yellow clip.
- Rinse all parts under running water, using a nylon brush if necessary.
- Then close the flap so that the clip engages.

Important:

After cleaning make sure that the clip has properly engaged.



- Reseat the filter combination so that it lies flat in the base of the wash cabinet.
- Secure the filter by turning the handle clockwise.

Cleaning and care

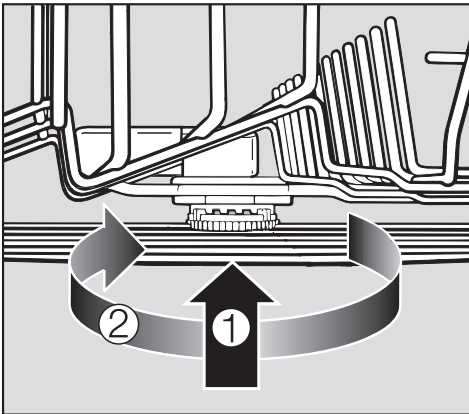
Cleaning the spray arms

Sometimes particles of food get stuck in the spray arm jets. The spray arms should be inspected and cleaned every 4 - 6 months.

- Turn off the dishwasher.

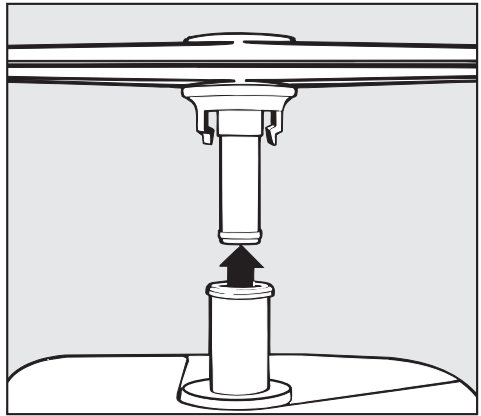
Remove the spray arms as follows:

- Take out the cutlery tray.
- Press the top spray arm upwards to engage the inner ratchet and unscrew the spray arm.

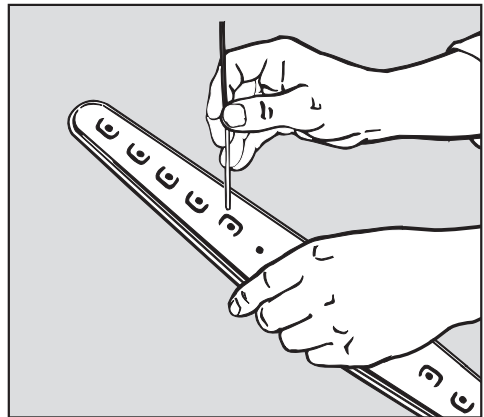


- Lift up the middle spray arm ①, to engage the ratchet and unscrew the spray arm ②.

- Remove the lower basket.



- Pull the lower spray arm firmly upwards to remove.



- Use a pointed object such as a toothpick to push food particles into the spray arm jets.
- Rinse thoroughly under running water.
- Return the spray arms and check that they rotate freely.

Cleaning the wash cabinet

Generally, the wash cabinet is self cleaning, provided that the correct amount of dishwasher detergent is used.

If lime scale or grease deposits form, they can be removed with a dishwasher cleaner.

Cleaning the door and the door seal

- Wipe the door seal with a damp cloth to remove any food particles.
- Food residue and spilt liquids should be wiped from the sides of the dishwasher door. These are outside of the wash cabinet and are not cleaned by water from the spray arms.

Cleaning the control panel

- Clean the control panel with a damp cloth and mild detergent.

Do not use abrasive, all purpose, or glass cleaners, they may damage plastic surfaces.

Cleaning the door panel

- Plastic laminate panels should be cleaned using a non-abrasive cleaner, or mild soapy water.
- Panels made from wood should be cleaned using a soft damp cloth and an appropriate wood cleaner.

Problem solving guide

With the aid of the following guide, minor problems can be corrected without a service call.

Repairs should only be carried out by a qualified and trained person in accordance with local and national safety regulations. Unauthorized or incorrect repairs could cause personal injury or damage the machine.

Problem	Possible cause	Remedy
The light ring around the program selector and the decimal point in the time display do not light, after the machine has been turned on using the “On/Off” button	The door is not properly closed.	Close the door firmly.
	The dishwasher is not plugged in.	Insert the plug.
	The fuse is defective or has tripped.	Reset the circuit breaker.
The dishwasher stops during a program	The fuse has tripped.	Reset the circuit breaker.
The “Spray arm” indicator light is flashing	Tall items are blocking the middle spray arm.	Open the door and rearrange items blocking the spray arm.
	The middle spray arm jets are blocked.	Before fixing the problem you must: <ul style="list-style-type: none">– Turn the program selector to the “Stop” position,– Turn the dishwasher off with the “On/Off” button, then: <ul style="list-style-type: none">– Clean the spray arm.

Problem solving guide

Problem	Possible cause	Remedy
The indicator light “Intake/Drain” is flashing shortly after the program has started	The water valve is closed.	Open the water valve completely. If the program still does not start: <ul style="list-style-type: none"> – Turn the program selector to the “Stop” position. – Turn the dishwasher off using the “On/Off” button. – Start the program again.
	The water pressure at the intake is lower than 5 psi (0.3 bar).	Call a plumber.
	The water inlet filter is blocked.	Before fixing the problem you must: <ul style="list-style-type: none"> – Turn the program selector to the “Stop” position. – Turn the dishwasher off using the “On/Off” button. – Check the water inlet filter and clean if necessary.
The indicator light “Intake/Drain” comes on during the “Energy Saver” program	The incoming water has not reached the minimum required temperature of 115° F (45 °C), the hot water system may be overloaded (see “Program selection”).	<ul style="list-style-type: none"> – Start the program again. – If the indicator light comes on again select a different program.

Problem solving guide

Problem	Possible cause	Remedy
The indicator light “Intake/Drain” is flashing and the program does not continue		Before fixing the problem you must: <ul style="list-style-type: none">– Turn the program selector to the “Stop” position.– Turn the dishwasher off using the “On/Off” button.
	Water intake is restricted.	<ul style="list-style-type: none">– Open the water valve completely.– Check the water inlet filter and clean if necessary, see “Cleaning the water inlet filter”.
	Water outlet is restricted, water remains in the wash cabinet at the end of a program.	<ul style="list-style-type: none">– Clean the filter combination, see “Cleaning and Care”.– Clean the drain pump, see “Cleaning the drain pump and non-return valve”.– Clean the non-return valve, see “Cleaning the drain pump and non-return valve”.– Remove any kink in the drain hose.
Knocking noise	The spray arm is hitting something in the basket.	Interrupt the program, rearrange items blocking the spray arms.
Rattling noise	Dishes are not secure inside the dishwasher.	Interrupt the program and rearrange dishes.

Problem solving guide

Problem	Possible cause	Remedy
<p>A whistling noise is heard during the program</p>	<p>The circulation pump seal sometimes makes a whistling noise. This may be caused by the detergent.</p>	<p>This is not a problem. Try other detergents. Consult the Miele Technical Service Department if the noise is persistent.</p>
<p>Knocking noise in the water pipes</p>	<p>This may be caused by the installation or the or the piping.</p>	<p>This has no affect on dishwasher. If in doubt contact a plumber.</p>
<p>Three horizontal bars show in the time display at the end of the program: - - -</p>	<p>There may be a technical fault.</p>	<ul style="list-style-type: none"> - Turn the program selector to the "Stop" position. - Turn off the dishwasher using the "On/Off" button. <p>After a few seconds:</p> <ul style="list-style-type: none"> - Turn the dishwasher on using the "On/Off" button. - Turn the Program selector to the desired program. - Press the "Start" button. <p>If the three horizontal bars appear again at the end of the program, there is a technical fault.</p> <ul style="list-style-type: none"> - Call the Miele Technical Service Department. <p>Despite the problem the dishwasher can be used in all programs but, the water will not heat. The "Energy Saver" program only works if the dishwasher is connected to a hot water supply.</p>

Problem solving guide

Problem	Possible cause	Remedy
Dishes and glasses are not dry or are flecked	The rinse aid setting may be insufficient, or the rinse aid reservoir empty.	Increase the dosage or refill the reservoir, see “Before using for the first time”.
	The water hardness level selector in the wash cabinet is set too high.	Set the selector to a lower setting, See “Programming and setting the water hardness level”.
	Dishes were taken out of the cabinet too soon.	Leave them in for longer, see “Operating the dishwasher”.
The dishes are not clean	The dishes were not loaded correctly. Dishes were placed inside other pieces, water could not access all surfaces.	See notes in “Loading the dishwasher”.
	The water feed for the middle spray arm was covered. Not enough water flowed into the middle spray arm.	Make sure that dishes inserted in the rear of the upper basket do not cover the outlet.
	The program was not powerful enough.	Select a more intensive program see the “Program chart”.
	Not enough detergent was dispensed.	Use more detergent, see “Operating the dishwasher”.
	Tall items are blocking the spray arms.	Rearrange items so that spray arms can rotate freely.
	The spray arm jets are blocked.	Clean the spray arm jets, see “Cleaning and care”.

Problem solving guide

Problem	Possible cause	Remedy
The dishes are not clean	The filter combination in the base of the wash cabinet is clogged or not correctly seated. This may cause the spray arms jets to be blocked.	Clean and/or refit the filter combination correctly, Clean the spray arms, see "Cleaning and care".
	The drain pump or non-return valve may be blocked.	Clean the drain pump and the non-return valve, see "Cleaning and care".
Tea or lipstick stains have not been completely removed	The wash temperature of the selected program was too low.	Select a program with a higher wash temperature.
	The bleaching effect of the detergent used is too low.	Use detergent containing chlorine.
White residue is visible on cutlery and dishes, clouding occurs on glassware; film can be wiped off	Not enough rinse aid was used.	Increase the dosage, see "Before using for the first time".
	The salt reservoir is empty.	Add reactivation salt, see "Before using for the first time".
	The salt reservoir cap was not correctly screwed on.	Refit it making sure it screws back on correctly.
	The water softener is set too low.	Program a higher setting, see "Before using for the first time".
	Phosphate free detergent was used.	Try detergent containing phosphate.

Problem solving guide

Problem	Possible cause	Remedy
Smearing appears on glasses and cutlery, there is a bluish sheen on the surface of glassware; film can be wiped off	The rinse aid dosage is set too high.	Reduce the dosage, see "Before using for the first time".
Glassware is dull and discolored; film can not be wiped off	The water hardness selector in the wash cabinet is not set correctly.	Set it to the correct setting, see "Before using for the first time". There is no remedy for already damaged glassware.
	Glassware is not dishwasher safe. The surfaces are damaged.	There is no remedy. Purchase dishwasher safe glassware.
Plastic items are discolored	Natural dyes e. g. from carrots, tomatoes or ketchup may be the cause. The amount of detergent used or its bleaching effect was not strong enough to deal with natural dyes.	Use detergent containing chlorine. Use more detergent, see "Operating the dishwasher". Discoloration is permanent.
There are rust stains on cutlery	The salt reservoir cap has not been screwed on properly.	Screw the cap on firmly.
	The affected items are not corrosion resistant.	There is no remedy. Purchase dishwasher safe cutlery.
Detergent residue is left in the dispenser at the end of a program.	The dispenser was still damp when detergent was added.	Make sure the dispenser is dry before adding detergent.
The detergent dispenser lid does not close properly	Clogged detergent residue is blocking the catch.	Remove the residue.

Problem solving guide

Problem	Possible cause	Remedy
Water remains in the wash cabinet at the end of a program		Before fixing the problem: <ul style="list-style-type: none">– Turn the program selector to the “Stop” position.– Turn off the dishwasher using the “On/Off” button.
	The filter combination in the wash cabinet is clogged.	Clean the filter combination, see “Cleaning and Care”
	The drain pump or the non-return valve may be blocked.	Clean the drain pump and the non-return valve, see “Cleaning and care”.
	The drain hose has a kink.	Remove the kink.

Solving problems

Cleaning the water intake filter

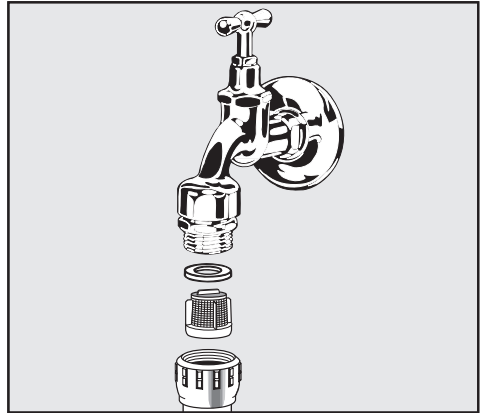
A filter is incorporated in the intake hose attached to the dishwasher's shut-off valve. If your water is hard, or the pipes contain sediment; this filter may clog and prevent enough water from entering the wash cabinet. It can be cleaned as follows:

The plastic valve housing on the intake hose contains electrical components and should not be immersed, or run through water.

Cleaning the filter:

Disconnect the dishwasher from electricity (unplug it or "trip" the circuit breaker).

- Turn off the main shutoff valve and unscrew the intake hose.
- Carefully remove the rubber seal.
- Remove the filter using needle nose pliers and rinse under running water.



- Return the filter and seal. Make sure they are seated correctly.
- Screw the intake hose back on the water valve, checking that it is not cross-threaded.
- Slowly turn on the valve and test for leaks.

Installing an in-line water filter

- If your water contains a large number of insoluble substances, a filter between the valve and the intake hose connection is recommended. These filters can be purchased from the Miele Technical Service Department.

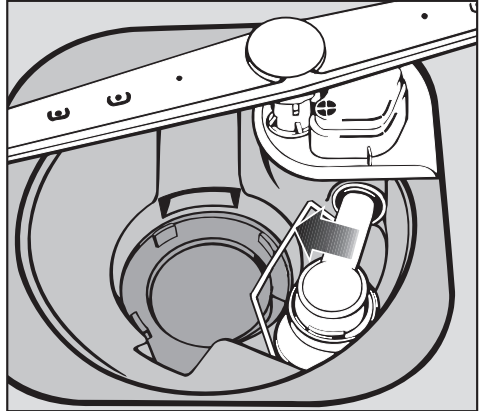
Cleaning the drain pump and non-return valve

Use caution when cleaning the filters, non-return valve or drain pump; glass or bone splinters may be caught in the bottom of the wash cabinet.

If the dishwasher is not completely drained at the end of a program, the drain pump or non-return valve may be blocked.

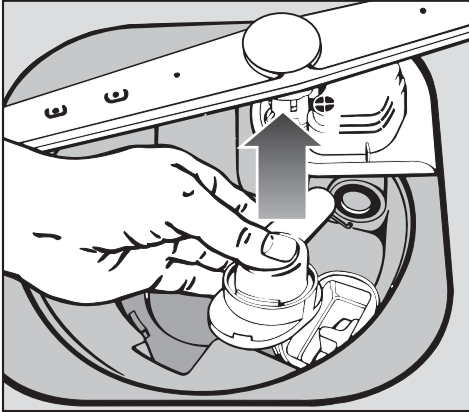
To clean them:

- Remove the combination filter.
- Use a jug or bowl to scoop water out of the wash cabinet.

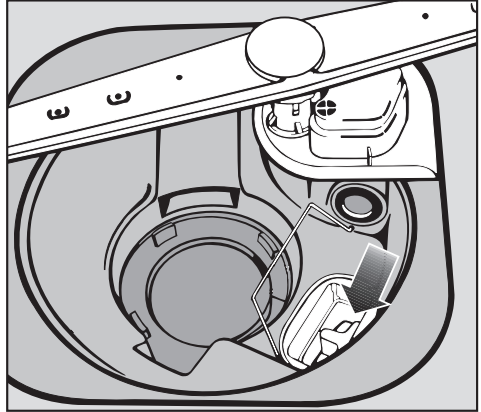


- Tilt the locking clamp to the side.

Solving problems



- Pull out the non-return valve.
- Rinse the non-return valve under running water.



The drain pump is situated under the non-return valve (see arrow).

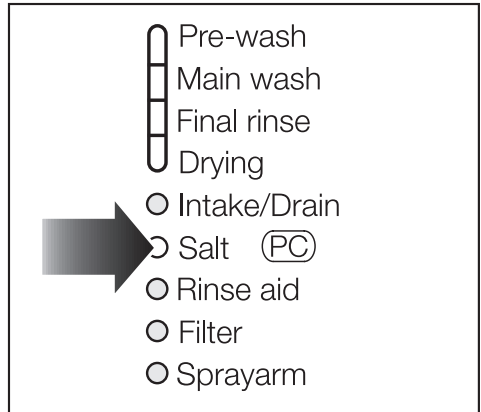
- Before returning the non-return valve, check to make sure that the drain pump is not obstructed. Spin the propeller several times in both directions; it should turn smoothly.
- Carefully refit the non-return valve and secure it with the locking clamp.
- Refit and secure the combination filter.

If you are unable to resolve a problem or if the appliance is under warranty, please contact your Miele Dealer or the Miele Technical Service Department. (See back cover for telephone numbers).

Please have the model and serial number of the appliance available. These can be found on the data plate on the upper inside edge of the dishwasher door.

Program update function - PC

The "PC" indicator has the function of Program Correction (PC). This allows a technician to update the programming of the dishwasher to make use of new technological developments.



For example, if a detergent that gives good wash results using only cold water were to become available, the wash programs can be modified to take advantage of this.

Special accessories

To make the most of your dishwasher

If you would like...	then you need...
...to wash bottles, e. g. milk or baby bottles	... a bottle holder
...to wash a large number of glasses	...a glassware insert for the bottom basket
... to wash long-stemmed glassware	... a glassware insert for the upper basket
... to wash larger plates	... an insert for plates up to 12 ½" (32 cm) diameter

To transport the dishwasher, e.g. when moving to a new home, note the following:

- Empty the dishwasher,
- Secure any loose parts, e. g. hoses, cables, cutlery baskets.
- Transport the dishwasher in the upright position.

If unavoidable it may be transported on its back.

Do not transport it on its side or on the door because residual water in the machine will leak. This residual water could get into the electronic unit and cause damage.

Program chart

Program	When to use	Detergent		
		chlorine free ¹⁾	containing chlorine ²⁾	
		Compartment II (Wash cycle)	Compartment I (Pre-wash)	Compartment II (Wash cycle)
Normal ³⁾ 55 °C/130 °F	for normal everyday loads	100 %	20 %	80 %
Sani Wash	as Normal 55 °C/130 °F, but with longer wash time for heavily soiled loads, also suitable for chlorine free detergents	100 %	20 %	80 %
Normal 65°C/150°F	as Normal 55 °C/130 °F, but at a higher temperature for stubborn dried on food	100%	20 %	80 %
Light Wash 55 °C/130 °F	for normal everyday loads, particularly suitable for chlorine free detergents	100 %		100 %
Economy 55 °C/130 °F	for normal everyday loads, particularly energy saving program	100 %		100 %
Special Program				
Pots & Pans	for normally soiled pots and pans with dried on food	120 %	20 %	100 %
China & Crystal 45 °C/115 °F	"Gentle program", for lightly soiled and heat sensitive tableware.	50 %		50 %
Short 45 °C/115 °F	for lightly soiled dishes that are needed right away e.g., at a party	50 %		50 %
Rinse & Hold	For rinsing dishes when a complete cycle is not needed.			
Energy Saver	for lightly to normally soiled dishware only select Energy Saver if the dishwasher is connected to a hot water supply (min. temperature 45 °C/115 °F). - see "Choosing a program"	100 %	20 %	80 %

The dispensing method will depend on the type of detergent being used.

1) Use this ratio for:

- detergent which is chlorine and phosphate free
 - detergent which is chlorine free but contains phosphates
- In this instance the whole amount is placed in compartment II.**

2) Use this ratio for:

- powder detergent which contains chlorine and phosphates
- Divide the total amount, as shown, between compartment I and compartment II.**

Program chart

Programcycle						Usage			Duration	
						Electric (kWh)		Water	Minutes (approx.)	
1. Pre-liminary pre-wash	2. Pre-wash	Main wash	Interim rinse	Final rinse	Drying	Cold water connection (10 °C/ 50 °F)	Hot water connection (49 °C/ 120 °F)	Liters/ Gallons	Cold water connection (10 °C/ 50 °F)	Hot water connection (49 °C/ 120 °F)
X	X	X 55 °C/ 130 °F	X	X 65 °C/ 150 °F	X	1.62	0.8	24 / 6.3	150	114
	X	X 65 °C/ 150 °F	X	X 75 °C/ 170 °F	X	2.40	1.5	19 / 5	185	145
X	X	X 65 °C/ 150 °F	X	X 65 °C/ 150 °F	X	1.82	1.1	24 / 6.3	156	110
		X 55 °C/ 130 °F	X	X 65 °C/ 150 °F	X	1.62	1.1	14 / 3.7	131	110
		X 55 °C/ 130 °F	X	X 55 °C/ 130 °F	X	1.30	0.75	14 / 3.7	120	90
X	X	X 75 °C/ 170 °F	X	X 65 °C/ 150 °F	X	1.96	1.4	24 / 6.3	154	130
	X	X 45 °C/ 115 °F	X	X 55 °C/ 130 °F	X	1.08	0.55	19 / 5	93	68
		X 45 °C/ 115 °F	X	X 55 °C/ 130 °F		1.11	0.55	14 / 3.7	62	34
	X					0.06	0.06	5 / 1.3	11	11
X	X	X	X	X	X		0.1	24 / 6.3		63

When washing a full load in the Normal program, the Sani Wash program, the Light Wash program or the Economy program at least 1 ½ tablespoons (25 ml) of detergent are required.

If “**Top Solo**” is selected, the appropriate amount of detergent according to the level of soiling should be added to **compartment II only** (approx. 2/3 of the total amount required for a full load).

3) Standard program for comparison tests

Technical data

Series designation HG01

Height	33 1/16" (84 cm) [adj.+ 2"/5.0 cm]
Width	23 9/16" (59.8 cm)
Width of cabinet opening	23 5/8" (60 cm)
Depth	22 7/16" (57 cm)
Depth with door open	47 7/16" (120.5 cm)
Weight	approx. 123 lbs. /56 kg
Voltage	110/120 V AC
Rated load	12.5 A / 1500 W
Fuse rating	15 A
Water pressure	15 – 150 psi (0.3 - 10 bar)
Water connection	max. 140 °F (60 °C)
Drain height	max. 39" (1 m)
Drainage length	max. 13 ft (4 m)
Connection cable	approx. 4 ft (1.2 m)
Capacity	14 place settings



Miele, Inc.

National Headquarters

9 Independence Way,
Princeton, NJ 08540
Phone: 800-843-7231, 609-419-9898
Fax: 609-419-1435
Technical Service: 800-999-1360
www.mieleusa.com

New England Showroom

555 Washington Street
Wellesley, MA 02482
Phone: 781-431-2225
Fax: 781-431-0003

Southeast Regional Headquarters

6400 Congress Avenue
Suite 1700
Boca Raton, FL 33487
Phone: 561-995-8030
Fax: 561-995-8083

West Coast Regional Headquarters

680 Eighth Street
Suite 168 - Sobel Building
San Francisco, CA 94103
Phone: 800-245-8215
415-241-6820
Fax: 415-241-6822

WEST COAST REGIONAL SERVICE 800-245-8215

Southern California Showroom

189 North Robertson Blvd.
Beverly Hills, CA 90211
Phone: 310-855-9470
Fax: 310-358-0238

Mid West Regional Headquarters

3100 West Dundee Road
Suite 901
Northbrook, IL 60062
Phone: 847-714-9433
Fax: 847-714-9434

Miele Limited

Canadian Head Office

55G East Beaver Creek Road
Richmond Hill
Ontario L4B 1E5
Phone: 905-707-1171
Toll-Free: 1-800-565-6435
Fax: 905-707-0177

Internet: www.miele.ca
E-Mail: info@miele.ca
(general enquiries)
E-Mail: service@miele.ca
(technical service)

BC Regional Sales Office

3731 North Fraser Way
Unit 200
Burnaby
British Columbia V5J 5J2
Phone: 604-434-1300
Fax: 604-434-1309

Quebec Regional Sales Office

400 Laurier Avenue West
Suite 600
Montreal
Quebec H2V 2K7
Phone: 514-277-1818
Toll-Free: 1-877-636-4353
Fax: 514-277-1838

Free Manuals Download Website

<http://myh66.com>

<http://usermanuals.us>

<http://www.somanuals.com>

<http://www.4manuals.cc>

<http://www.manual-lib.com>

<http://www.404manual.com>

<http://www.luxmanual.com>

<http://aubethermostatmanual.com>

Golf course search by state

<http://golfingnear.com>

Email search by domain

<http://emailbydomain.com>

Auto manuals search

<http://auto.somanuals.com>

TV manuals search

<http://tv.somanuals.com>