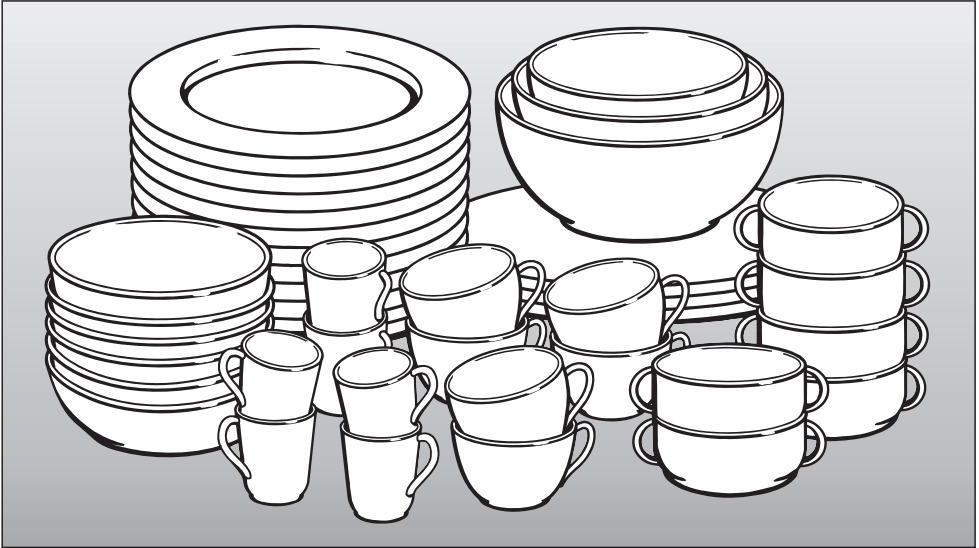


# Miele

## Operating and installation instructions



### Plate warmer EGW 3060-10

To avoid the risk of accidents or damage to the appliance it is **essential** to read these instructions before it is installed and used for the first time.

en - GB

M.-Nr. 07 241 630

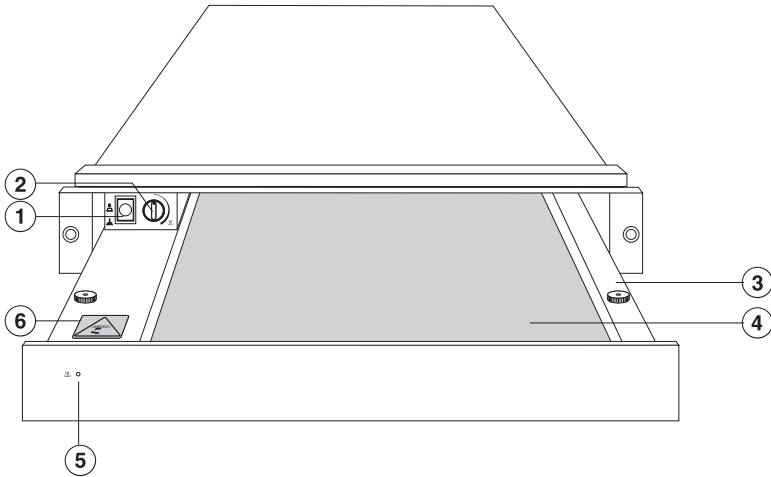
# Contents

---

<b>Guide to the appliance</b> .....	3
<b>Warning and Safety instructions</b> .....	4
<b>Caring for the environment</b> .....	8
<b>Before using for the first time</b> .....	9
Cleaning and heating up for the first time .....	9
<b>Operation</b> .....	10
Opening and closing the drawer .....	10
Controls .....	10
Operation .....	11
Selecting a temperature .....	11
Heating up times .....	12
Capacity .....	13
<b>Cleaning and care</b> .....	14
Appliance front and interior .....	14
Anti-slip mat .....	15
<b>Problem solving guide</b> .....	16
<b>Optional accessories</b> .....	18
<b>Safety instructions for installation</b> .....	19
<b>Building-in dimensions</b> .....	20
Possible combinations .....	20
<b>Installing the appliance</b> .....	21
<b>Aligning the front of the plate warmer</b> .....	22
<b>Electrical connection</b> .....	23
<b>After sales service, data plate</b> .....	26

# Guide to the appliance

---



- ① On/Off switch (lights up)
- ② Temperature control
- ③ Warming drawer
- ④ Anti-slip mat
- ⑤ In-operation indicator
- ⑥ Warning sticker (Caution: Danger of burning on the heating element)

# Warning and Safety instructions

---

This appliance complies with all relevant local and national safety requirements. Inappropriate use can, however, lead to personal injury and damage to property.

To avoid the risk of accidents and damage to the appliance, please read these instructions carefully before using it for the first time. They contain important notes on installation, safety, operation and care of the appliance.

Keep these instructions in a safe place and ensure that all users are familiar with the contents. Pass them on to any future owner of the appliance.

## Correct application

► This appliance is intended for domestic use only, and must only be used as described in these instructions. Any other usage is at the owner's risk and could be dangerous. The manufacturer cannot be held liable for damage resulting from incorrect or improper use or operation.

► This appliance is not intended for use by persons (including children) with reduced physical, sensory or mental capabilities, or lack of experience or knowledge, unless they are supervised whilst using it, or have been given instruction concerning its use by a person responsible for their safety.

# Warning and Safety instructions

---

## Safety with children

▶ This appliance is only intended for use by adults who have read these instructions. The appliance is not a toy! To avoid the risk of injury, keep children away from it at all times, and do not let them play with it or use the controls. They will not understand the potential dangers posed by it. They should be supervised whenever you are working in the kitchen.

▶ Older children may use the appliance only when its operation has been clearly explained to them and they are able to use it safely, recognising the dangers of misuse.

▶ Packaging, e.g. cling film, polystyrene and plastic wrappings, must be kept out of the reach of babies and young children. Danger of suffocation. Dispose of or recycle all packaging safely as soon as possible.

## Technical safety

▶ Before installation, check the appliance for visible signs of damage. Under no circumstances should you use it if it has been damaged. A damaged appliance is dangerous.

▶ The electrical safety of this appliance can only be guaranteed when continuity is complete between it and an effective earthing system. It is most important that this basic safety requirement is present and regularly tested, and where there is any doubt, the household wiring system should be inspected by a qualified electrician. The manufacturer cannot be held liable for the consequences of an inadequate earthing system (e.g. electric shock).

▶ Before connecting the appliance to the mains supply make sure that the connection data on the data plate (voltage and connected load) correspond with the mains electricity supply, otherwise the appliance could be damaged. Consult a qualified electrician if in any doubt.

# Warning and Safety instructions

---

► This appliance may be connected via a fused plug and switched socket. If you wish to connect it to a fused spur connection unit, or if the appliance is supplied without a plug, it must be installed and connected by a suitably qualified and competent person in strict accordance with current local and national safety regulations. The manufacturer cannot be held liable for damage caused by incorrect installation or connection.

► For safety reasons, this appliance may only be used when it has been built in.

► Never open the housing of the appliance. Tampering with electrical connections or components and mechanical parts is highly dangerous to the user and can cause operational faults.

► Installation, maintenance and repairs may only be carried out by a suitably qualified and competent person in strict accordance with current national and local safety regulations. Repairs and other work by unqualified persons could be dangerous. The manufacturer cannot be held liable for unauthorised work.

► If the connection cable is damaged, it must be replaced by a suitably qualified electrician with a specialist connection cable of type H 05 VV-F (pvc insulated), available from the Miele Service Department.

► Faulty components must only be replaced by genuine Miele original parts. The manufacturer can only guarantee the safety of the appliance

when Miele replacement parts are used.

► During installation, maintenance and repair work, the appliance must be disconnected from the mains electricity supply. It is only completely isolated from the electricity supply when:

- the mains fuse is disconnected,
- the screw-out fuse is removed (in countries where this is applicable),
- it is switched off at the wall socket and the plug is withdrawn from the socket, or
- it is switched off at the fused spur connection unit.

► Do not connect the appliance to the mains electricity supply by a multi-socket unit or an extension lead. These do not guarantee the required safety of the appliance (e.g. danger of overheating).

► While the appliance is under guarantee, repairs should only be undertaken by a service technician authorised by the manufacturer. Otherwise the guarantee will be invalidated.

► In countries where there are areas which may be subject to infestation by cockroaches or other vermin, pay particular attention to keeping the appliance and its surroundings in a clean condition at all times. Any damage which may be caused by cockroaches or other vermin will not be covered by the guarantee.

# Warning and Safety instructions

---

## Correct use

- ▶ Depending on the temperature selected and the length of time the appliance is being used, the inside of the drawer can get extremely hot during use, and remain hot for some time after being switched off.
- ▶ For added protection, it is advisable to use heat-resistant pot holders or gloves when using the appliance. Do not let them get damp or wet, as this causes heat to transfer through the material more quickly with the risk of scalding or burning yourself.
- ▶ To minimise the risk of burning yourself on the inside of the drawer, always pull it out as far as it will go before removing crockery.
- ▶ Do not use the appliance to re-heat, cook or keep food or drinks warm, as moisture in the food or drinks could cause corrosion damage to the drawer.
- ▶ Do not store any plastic containers or inflammable objects in the warming drawer. They could melt or catch fire when the appliance is switched on, causing a fire hazard.
- ▶ Do not use the appliance to heat up the room. Due to the high temperatures radiated, objects near the appliance could catch fire. The life of the appliance could also be reduced.
- ▶ Never replace the anti-slip mat supplied with the appliance with paper kitchen towel or similar.

▶ Do not overload the drawer. The maximum load bearing capacity of the drawer is 15 kg.

▶ Do not sit or lean on the opened drawer. This can damage the telescopic runners. The drawer has a maximum load bearing capacity of 15 kg.

The manufacturer cannot be held liable for damage caused by non-compliance with these Warning and Safety instructions.

# Caring for the environment

---

## Disposal of the packing material

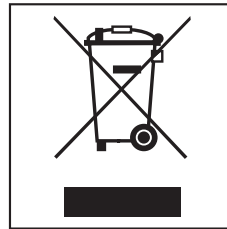
The transport and protective packing has been selected from materials which are environmentally friendly for disposal, and can normally be recycled.

Ensure that any plastic wrappings, bags, etc. are disposed of safely and kept out of the reach of babies and young children. Danger of suffocation.

Rather than just throwing these materials away, please ensure that they are recycled.

## Disposal of your old appliance

Electrical and electronic appliances often contain materials which, if handled or disposed of incorrectly, could be potentially hazardous to human health and to the environment. They are, however, essential for the correct functioning of your appliance. Please do not therefore dispose of it with your household waste.



Please dispose of it at your local community waste collection/recycling centre, and ensure that it presents no danger to children while being stored for disposal.



## Before using for the first time

---

Please stick the extra data plate for the appliance supplied with this documentation in the space provided in the "After sales service" section of this booklet.

### Cleaning and heating up for the first time

- Remove any protective foil and sticky labels.
- Remove the anti-slip mat from the drawer, and clean it with warm water and a little washing-up liquid. Wipe dry using a soft cloth.
- Wipe the appliance inside and out with a damp cloth only, and then dry with a soft cloth.
- Replace the anti-slip mat in the drawer.
- Then heat the empty drawer for at least two hours. Set the temperature control to maximum (see "Selecting a temperature").

Metal components have a protective coating which may give off a slight smell when heated up for the first time. The smell and any vapours will dissipate after a short time, and do not indicate a faulty connection or appliance. Ensure that the kitchen is well ventilated.

# Operation

---

Do not use the appliance to re-heat, cook or keep food or drinks warm. Condensation from the food or drinks could lead to corrosion in the appliance.

Always use oven gloves to remove heated crockery from the drawer.

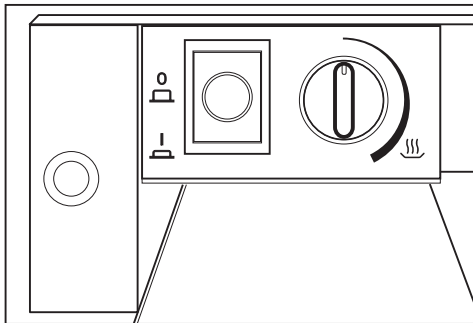
The load bearing capacity of the appliance is 15 kg maximum.

The base of the drawer is fitted with an anti-slip mat which stops crockery sliding about when the drawer is opened and closed.

## Opening and closing the drawer


The drawer can be opened and closed by pressing lightly in the middle of the drawer front.

## Controls



The controls consist of a temperature dial and an On/Off switch. These are only visible when the drawer is open. When the drawer is closed, you can tell when the appliance is switched on because the On/Off switch illuminates through a hole in the front of the drawer.

## Operation

- Place the crockery inside the drawer.
- Select the temperature required.
- Switch on the appliance ()

The switch lights up.

- Close the drawer.

Switch the appliance off () before removing the heated crockery.

Pull the drawer out to its full extent before unloading it.

## Selecting a temperature

The temperature dial allows you to select any temperature between approx. 30 and 50 °C.

The temperature selector must only be turned in a clockwise direction as far as it will go and then back again. Otherwise it will be damaged.

When the temperature is reached, the heating element switches itself off. When the temperature falls below that selected, the heating element switches on again automatically.

The optimum temperature for warming cups is approx. 40 °C. Drinks poured into warmed cups do not cool down so quickly, but cups are still not too hot to handle.

# Operation

---

## Heating up times

Various factors will affect the heating up times:

- The material and thickness of the crockery
- Maximum capacity
- How the crockery is arranged
- The temperature setting.

It is therefore not possible to state precise times.

However, the following information can be used as a guide:

At a temperature setting of approx. 50 °C, it takes approx. 30-40 minutes to heat crockery through to an even temperature.

As you use the plate warmer, you will get to know which setting suits your own needs best.

## Capacity

The quantity that can be loaded will depend to a great extent on the type and size of your own crockery.

### Example

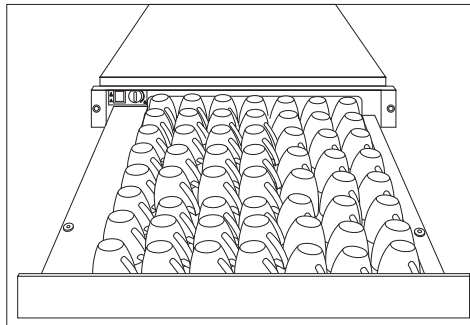
– 25 Cappuccino cups, Ø 88 mm

or

– 56 Espresso cups, Ø 60 mm

Place cups and glasses upside down in the drawer so that they warm through thoroughly.

The maximum load bearing capacity of the appliance is 15 kg.



## Cleaning and care

---

Under no circumstances use a steam cleaning appliance to clean this appliance. The steam could attack the electrical components and cause a short circuit.

Only use domestic washing-up liquid to clean this appliance; commercial cleaning products are not suitable, and may damage the appliance.

### Appliance front and interior

Remove any soiling immediately.  
If not, it might become impossible to remove and could cause the outer surface to alter or discolour.

Clean the front using a Miele microfibre E-cloth or with a clean sponge and a solution of hot water and washing-up liquid. Then dry with a soft cloth.

The external surfaces of this appliance are all susceptible to scratching. Scratches on glass surfaces could even cause a breakage.

Contact with unsuitable cleaning agents can alter or discolour the outer surfaces.

**To avoid damaging the surface of your appliance, do not use:**

- cleaning agents containing soda, ammonia, acids or chlorides,
- cleaning agents containing descaling agents,
- abrasive cleaning agents, e.g. powder cleaners and cream cleaners,
- solvent-based cleaning agents,
- stainless steel cleaning agents,
- dishwasher cleaner,
- oven sprays,
- glass cleaning agents,
- hard, abrasive sponges and brushes, e.g. pot scourers,
- sharp metal scrapers.

### Anti-slip mat

The anti-slip mat can be removed for cleaning.

- Clean the anti-slip mat by hand using warm water and a little washing-up liquid, and then dry with a cloth.


Do not put the anti-slip mat back into the drawer until it is completely dry.

Do not wash the anti-slip mat in a dishwasher or washing machine.

Never place the anti-slip mat in the oven to dry.

# Problem solving guide

---

 Installation work and repairs to electrical appliances must only be carried out by a suitably qualified and competent person in strict accordance with current local and national safety regulations (BS 7671 in the UK). Repairs and other work by unqualified persons could be dangerous. The manufacturer cannot be held liable for unauthorised work.

## What to do if . . .

### . . . the crockery is not warm enough.

Check whether

- the appliance has been switched on.
- the correct temperature setting has been selected.
- the crockery has been allowed to heat up for a sufficiently long time.

Various factors will affect how long the crockery will take to heat up, for example:

- The material and thickness of the crockery
- Maximum capacity
- How the crockery is arranged
- The temperature setting.

The times quoted are only guidelines. As you use the plate warmer you will get to know which setting suits your own needs best.



### **. . . the crockery does not heat up.**

Check whether

- the mains fuse has tripped.

If any of the following problems occur, please contact the Miele Service Department.

### **. . . The crockery is too hot.**

The temperature control is faulty.

### **. . . the On/Off switch does not light up when the appliance is switched on.**

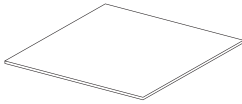
The indicator light for the switch is defective.

## Optional accessories

---

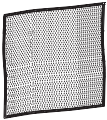
These can be ordered via the internet at [www.miele-shop.com](http://www.miele-shop.com), or from the Miele Customer Contact Centre (see back cover for contact details) or from your Miele dealer.

### Anti-slip mat



Anti-slip mat to keep crockery secure

### E-Cloth (microfibre cloth)



Removes finger marks and light soiling.

## Safety instructions for installation

---

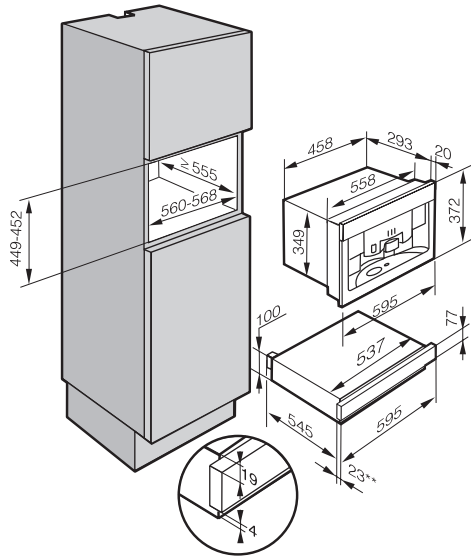
- ▶ Before connecting the appliance to the mains supply make sure that the connection data on the data plate (voltage and connected load) correspond with the mains electricity supply,  
This data must correspond in order to avoid the risk of damage to the appliance. Consult a qualified electrician if in any doubt.
- ▶ The socket and on-off switch should be easily accessible after the appliance has been built in.
- ▶ The plate warmer may only be built in in combination with those appliances quoted by the manufacturer as being suitable. The manufacturer cannot guarantee trouble-free operation if the appliance is operated in combination with appliances other than those quoted by the manufacturer as being suitable.
- ▶ When building in the plate warmer in combination with another suitable appliance, the plate warmer must be fitted above a fixed interim shelf in the housing unit to ensure that the housing unit can support both its weight and that of the other appliance.
- ▶ As the combination appliance is placed directly on top of the plate warmer once it is built in, an interim shelf is not necessary between the two appliances.
- ▶ When building in the combination appliance, it is essential to follow the instructions given in the operating and installation instructions supplied with the combination appliance.
- ▶ This appliance may only be installed in mobile installations such as ships, caravans, aircraft etc. if a risk assessment of the installation has been carried out by a suitably qualified engineer.

All dimensions in this instruction booklet are given in mm.

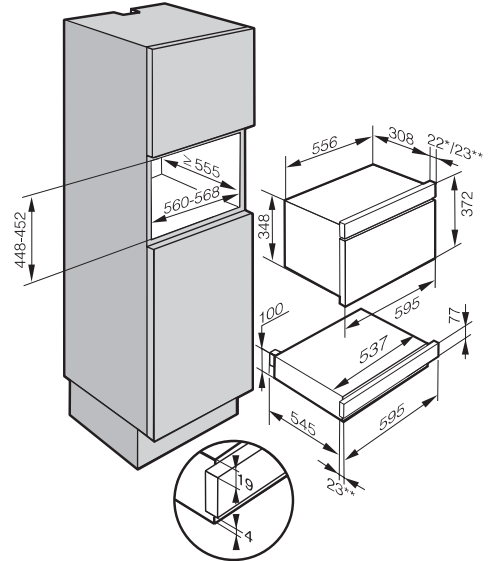
# Building-in dimensions

## Possible combinations

### Coffee machine



### Steam oven



\* Appliances with glass front

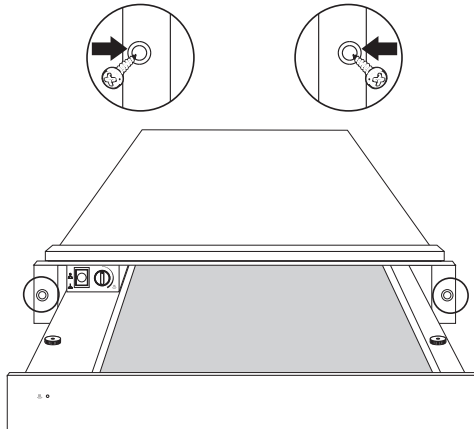
\*\* Appliances with metal front

## Installing the appliance

- Push the appliance into the housing unit as far as the vapour strip and align it.

Ensure that the housing unit is aligned at a right angle.

- Open the drawer, and use the 2 screws supplied to secure the appliance to the side walls of the housing unit.



- Build in the combination appliance in accordance with its own specific operating and installation instructions.

## Aligning the front of the plate warmer

---

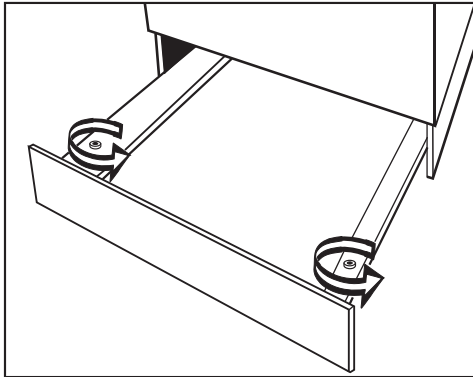
After building in the combination appliance, it may be necessary under certain circumstances to

- align the front of the plate warmer
- align the gap between the plate warmer and the combination appliance.

To help you do this, there are adjusting points underneath the nuts which secure the drawer to the telescopic runners.

- Loosen the nuts and take the plate warmer drawer out.

Use the adjusters to



- raise or lower the drawer
- align the front of the drawer.

All electrical work should be carried out by a suitably qualified and competent person in strict accordance with current local and national safety regulations (BS 7671 in the UK).

If the connection cable is damaged, it must be replaced by a suitably qualified electrician with a specialist connection cable of type H 05 V V-F (pvc insulated), available from the Miele Service Department.

Installation, repairs and other work by unqualified persons could be dangerous. The manufacturer cannot be held liable for unauthorised work.

Ensure power is not supplied to the appliance until after installation or repair work has been carried out.

The appliance must only be operated when built-in. This is to ensure that all electrical parts are shielded. Live parts must not be exposed.

Do not connect the appliance to the mains electricity supply by an extension lead. These do not guarantee the required safety of the appliance.

Please make sure that the connection data quoted on the data plate match the household mains supply.

## Electrical connection

---

Connection should be made via a suitable switched socket or a double pole fused spur connection unit which complies with national and local safety regulations and the on/off switch should be easily accessible after the appliance has been built in.

If the switch is not accessible after installation (depending on country) an additional means of disconnection must be provided for all poles.

For extra safety it is advisable to install a suitable residual current device (RCD).

When switched off there must be an all-pole contact gap of at least 3 mm in the isolator switch (including switch, fuses and relays).

### **Important U.K.**

The appliance is supplied for connection to a 230-240 V, 50 Hz supply with a 3-core cable.

The wires in the mains lead are coloured in accordance with the following code:

Green/yellow = earth

Blue = neutral

Brown = live

**WARNING**  
**THIS APPLIANCE MUST BE**  
**EARTHED**



### **Important**

The electrical safety of this appliance can only be guaranteed when continuity is complete between the appliance and an effective earthing system, which complies with local and national regulations. It is most important that this basic safety requirement is present and tested regularly and if there is any doubt the electrical wiring in the home should be inspected by a qualified electrician. The manufacturer cannot be held liable for the consequences of an inadequate earthing system such as an electric shock.

The manufacturer cannot be held liable for damage which is the direct or indirect result of incorrect installation or connection.

## After sales service, data plate

---

In the event of any faults which you cannot remedy yourself, or if the appliance is under guarantee, please contact:

– your Miele Dealer

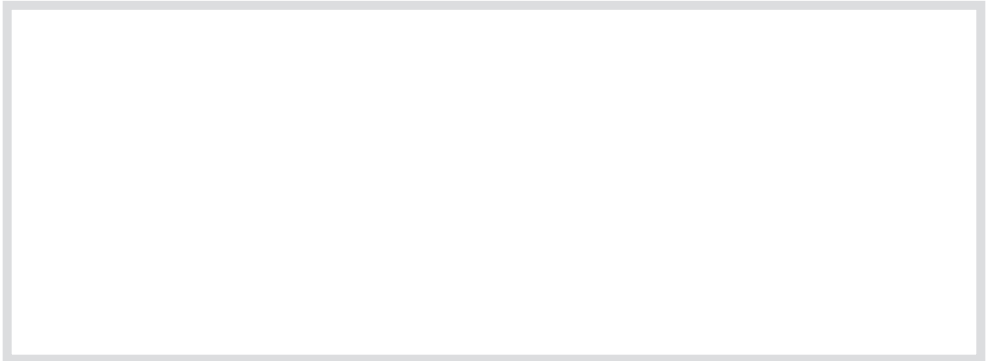
or

– the Miele Customer Contact Centre (see back cover for address).

Please note that telephone calls may be monitored and recorded to improve our service.

When contacting Miele, please quote the model and serial number of your appliance, which are given on the data plate.

Space in which to stick the extra data plate supplied with the appliance. Ensure that the model number is the same as the one on the front of these instructions.





**United Kingdom:**

Miele Co. Ltd.  
Fairacres, Marcham Road  
Abingdon, Oxon, OX14 1TW  
Tel: (01235) 554455  
Fax: (01235) 554477  
Customer Contact Centre Tel: (08707) 554466  
E-mail: [info@miele.co.uk](mailto:info@miele.co.uk)  
Internet: [www.miele.co.uk](http://www.miele.co.uk)

**Australia:**

Miele Australia Pty. Ltd.  
A.C.N. 005635398  
1 Gilbert Park Drive, Knoxfield, VIC 3180  
Tel: (03) 9764 7130  
Fax: (03) 9764 7149  
Internet: [www.miele.com.au](http://www.miele.com.au)

**China**

Miele Shanghai Rep. Office  
Room 4105 - 6, 41 Floor  
Plaza 66, 1266 Nan-Jing Road/ West  
Shanghai 200040  
Tel: +86 21 6288 4200  
Fax: +86 21 6288 4100  
E-mail: [miele.shanghai@cn.miele.com](mailto:miele.shanghai@cn.miele.com)  
Internet: [www.miele.cn](http://www.miele.cn)

**Hong Kong:**

Miele (Hong Kong) Limited  
AIA Plaza, 24 Floor  
18 Hysan Avenue  
Causeway Bay  
Tel: +852- 2610-1331  
Fax: +852-2610-1013  
E-mail: [mielehk@miele.com.hk](mailto:mielehk@miele.com.hk)  
Internet: [www.miele.hk](http://www.miele.hk)

**Ireland:**

Miele Ireland Ltd.  
Broomhill Road, Tallaght, Dublin 24  
Tel: (01) 461 0710  
Fax: (01) 461 07 97  
E-Mail: [info@miele.ie](mailto:info@miele.ie)  
Internet: [www.miele.ie](http://www.miele.ie)

**New Zealand**

Miele New Zealand Limited  
Unit L, 10-20 Sylvia Park Road  
Mt. Wellington, 1060, Auckland, NZ  
Tel: (09) 573 1269  
Fax: (09) 573 1268  
Internet: [www.miele.co.nz](http://www.miele.co.nz)

**South Africa:**

Miele (Pty) Ltd  
63 Peter Place, Bryanston 2194  
P.O. Box 69434, Bryanston 2021  
Tel: +27 (0) 11 548-1900  
Fax: +27 (0) 11 548-1935  
E-mail: [info@miele.co.za](mailto:info@miele.co.za)  
Internet: [www.miele.co.za](http://www.miele.co.za)

**Singapore:**

Miele Southeast Asia  
Miele Pte. Ltd.  
163 Penang Road  
# 04 - 02/03 Winsland House II  
Singapore 238463  
Tel: +65 6735 1191  
Fax: +65 6735 1161  
E-Mail: [infosea@miele.com.sg](mailto:infosea@miele.com.sg)  
Internet: [www.miele.sg](http://www.miele.sg)

**United Arab Emirates**

Miele Appliances Ltd.  
P.O. Box 11 47 82  
Gold & Diamond Park  
Sheikh Zayed Road  
Building 6 / Offices Nos. 6-214 to 6-220  
Dubai  
Tel: +971-4-341 84 44  
Fax: +971-4-341 88 52  
E-Mail: [info@miele.ae](mailto:info@miele.ae)  
Internet: [www.miele.ae](http://www.miele.ae)



## Free Manuals Download Website

<http://myh66.com>

<http://usermanuals.us>

<http://www.somanuals.com>

<http://www.4manuals.cc>

<http://www.manual-lib.com>

<http://www.404manual.com>

<http://www.luxmanual.com>

<http://aubethermostatmanual.com>

Golf course search by state

<http://golfingnear.com>

Email search by domain

<http://emailbydomain.com>

Auto manuals search

<http://auto.somanuals.com>

TV manuals search

<http://tv.somanuals.com>