

Operating and installation instructions



Freezer F 12020 S

To avoid the risk of accidents or damage to the appliance, it is **essential** to read these operating instructions before it is installed or used for the first time.

en - GB

M.-Nr. 07 297 230

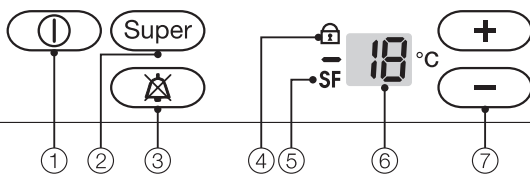
Contents

Guide to the appliance	4
Caring for the environment	5
Warning and Safety instructions	6
How to save energy	11
Switching on and off	12
Safety lock	12
Switching off for longer periods of time	13
The correct temperature	14
Setting the temperature	14
Temperature range	15
Temperature display	15
Temperature display brightness	15
Alarm	17
Temperature alarm	17
Activating the alarm system	17
Switching the alarm off early	17
Super freeze	18
Super freeze	18
Freezing and storing food	19
Maximum freezing capacity	19
Freezing fresh food	19
Storing frozen food	19
Home freezing	20
Hints on home freezing	20
Packing	20
Before placing food in the freezer	21
Placing food in the freezer	21
Freezing large items	21
Defrosting	21
Ice cubes	22
Cooling drinks	22
Cool pack	22
Defrosting	23

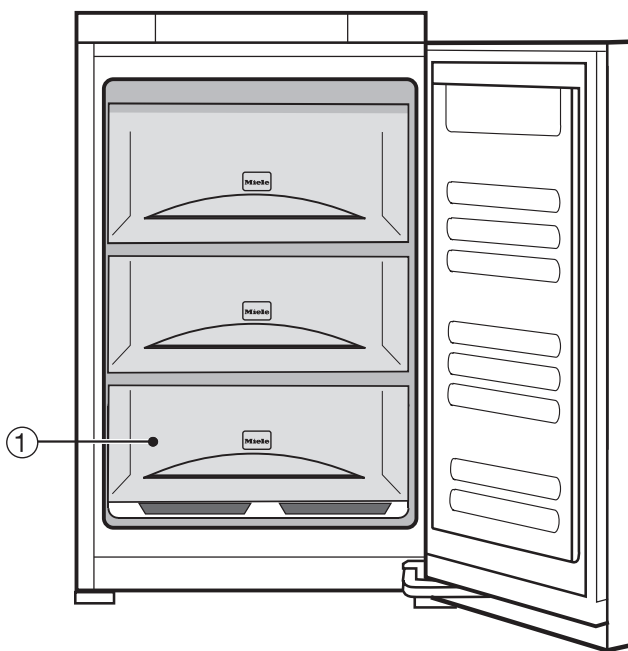
Contents

Cleaning and care	25
Cleaning the outer casing, the interior and accessories	25
Ventilation gaps	25
Door seal	25
Metal grille at the back of the appliance	26
Problem solving guide	27
Noises	30
After Sales / Guarantee	31
Electrical connection	32
Electrical connection U.K.	32
Installation	33
Location	33
Climate range	33
Ventilation	33
Installation	33
Aligning the appliance	34
Appliance dimensions	35
Changing the door hinging	36
Changing over the door handle	37

Guide to the appliance



- ① On/Off button
- ② Super freeze button
- ③ Alarm off button
- ④ Safety lock indicator light
- ⑤ Super freeze indicator light
- ⑥ Temperature display
- ⑦ Temperature selector buttons (+ for warmer; – for colder)



- ① Freezer drawers

Disposal of the packing material

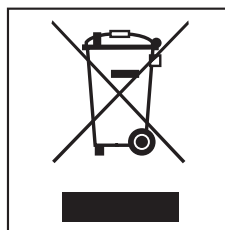
The transport and protective packing has been selected from materials which are environmentally friendly for disposal, and can normally be recycled.

Ensure that any plastic wrappings, bags etc. are disposed of safely and kept out of the reach of babies and young children. Danger of suffocation!

Rather than just throwing these materials away, please ensure that they are recycled.

Disposal of your old appliance

Electrical and electronic appliances often contain materials which, if handled or disposed of incorrectly, could be potentially hazardous to human health and to the environment. They are, however, essential for the correct functioning of your appliance. Please do not therefore dispose of your old appliance with your household waste.



Please dispose of it at your local community waste collection / recycling centre or contact your dealer for advice. Ensure that it presents no danger to children while being stored for disposal.

It should be unplugged or disconnected from the mains electricity supply by a competent person.

Take care not to damage the pipework at the back of it before or during transportation to an authorised collection depot.

In this way, refrigerant in the pipework and oil in the compressor will be contained, and will not leak out into the environment.

Warning and Safety instructions

This appliance complies with all relevant local and national safety requirements. Improper use can, however, present a risk of both personal injury and material damage.

To avoid the risk of accidents and damage to the appliance, please read these instructions carefully before installation and before using it for the first time. They contain important notes on the installation, safety, operation and care of the appliance.

Keep these instructions in a safe place and pass them on to any future user.

Correct application

► This appliance is intended for domestic use only, to store deep frozen food, freeze fresh food, and to make ice.

Any other usage is not supported by the manufacturer and could be dangerous. The manufacturer cannot be held liable for damage resulting from incorrect or improper use or operation.

► This appliance is not intended for use by persons (including children) with reduced physical, sensory or mental capabilities, or lack of experience and knowledge, unless they are supervised whilst using it, or have been shown how to use it by a person responsible for their safety.

Safety with children

► This appliance is not a toy! To avoid the risk of injury, do not allow children to play with it or near it, or to play with the controls. Neither should they be allowed to swing on the door. Please supervise young children whilst you are using it. Older children may only use the appliance when its operation has been clearly explained to them and they are able to use it safely, recognising the dangers of misuse.

Warning and Safety instructions

Technical safety

▶ Before setting up the appliance, check it for any externally visible damage. Do not install and use a damaged appliance.

A damaged appliance is dangerous.

▶ If the connection cable is faulty it must only be replaced by a service technician authorised by the manufacturer to protect the user from danger.

▶ This appliance contains the coolant Isobutane (R600a), a natural gas which is environmentally friendly. Although it is flammable, it does not damage the ozone layer and does not increase the greenhouse effect. The use of this coolant has, however, led to a slight increase in the noise level of the appliance. In addition to the noise of the compressor, you might be able to hear the coolant flowing around the system. This is unavoidable, but does not have any adverse effect on the performance of the appliance.

Care must be taken during the transportation and installation of the appliance that no parts of the cooling system are damaged. Leaking coolant can damage the eyes.

In the event of any damage:

- avoid open flames and anything which creates a spark,
- disconnect from the mains,
- air the room in which the appliance is located for several minutes and
- contact the Service Department for advice.

▶ The more coolant there is in an appliance, the larger the room it should be installed in. In the event of a leakage, if the appliance is in a small room, there is the danger of combustible gases building up. For every 8 g of coolant at least 1 m³ of room space is required. The amount of coolant in the appliance is stated on the data plate inside the appliance.

▶ Safe operation of the appliance is only assured if it has been installed and connected in accordance with these operating and installation instructions.

▶ Before connecting the appliance, make sure that the connection data on the data plate (voltage and connected load) match the mains electricity supply.

This data must correspond in order to avoid the risk of damage to the appliance. Consult a qualified electrician if in any doubt.

▶ Do not connect the appliance to the mains electricity supply by a multi-socket unit or an extension lead. These do not guarantee the required safety of the appliance (e.g. danger of overheating).

Warning and Safety instructions

► The electrical safety of this appliance can only be guaranteed when continuity is complete between it and an effective earthing system which complies with current local and national safety regulations. It is most important that this basic safety requirement is present and tested regularly, and where there is any doubt, the household wiring system should be inspected by a qualified electrician. The manufacturer cannot be held liable for damage or injury caused by the lack of or inadequacy of an effective earthing system (e.g. electric shock).

► Installation, maintenance and repairs may only be carried out by a suitably qualified and competent person in strict accordance with current national and local safety regulations. Repairs and other work by unqualified persons could be dangerous. The manufacturer cannot be held liable for unauthorised work.

► While the appliance is under guarantee, repairs should only be undertaken by a service technician authorised by the manufacturer. Otherwise the guarantee will be invalidated.

► The appliance must be isolated from the electricity supply during installation, maintenance and repair work. The appliance is only completely isolated from the electricity supply when:

- it has been switched off at the socket and the plug has been withdrawn, or
- the fuse from the fused spur connection unit has been withdrawn, or
- the mains fuse has been disconnected, or
- the screw-out fuse has been removed (in countries where this is applicable).

► Faulty components must only be replaced by genuine Miele original spare parts. The manufacturer can only guarantee the safety of the appliance when Miele replacement parts are used.

► This appliance may only be used in mobile installations such as ships if a risk assessment of the installation has been carried out by a suitably qualified engineer.

► In countries where there are areas which may be subject to infestation by cockroaches or other vermin, pay particular attention to keeping the appliance and its surroundings in a clean condition at all times. Any damage which may be caused by cockroaches or other vermin will not be covered by the guarantee.

Warning and Safety instructions

Correct use

▶ Never handle frozen food with wet hands. Your hands may freeze to the frozen food. Danger of frost burn.

▶ Do not take ice cubes out with your bare hands and never place ice cubes or ice lollies in your mouth straight from the freezer.

The very low temperature of the frozen ice or lollies can cause frost burn to the lips and tongue.

▶ Do not refreeze thawed or partially thawed food.

Defrosted food should be used up as quickly as possible, as food soon loses its nutritional value and goes off.

Defrosted food may only be re-frozen after it has been cooked.

▶ Observe the "use by" dates given on food to avoid the risk of food poisoning. Storage times will depend on several factors, including the freshness and quality of the food as well as the temperature at which it is stored. Follow the instructions given on food manufacturer's packaging on storage conditions required, as well as the "use by" date.

▶ Do not store explosive materials in the appliance or any products containing propellants (e.g. spray cans). Thermostats switching on may produce sparks which could present a fire hazard. Flammable compounds could explode.

▶ Do not operate any electrical equipment (e.g. an electric ice-cream maker) inside the appliance. Danger of sparking and explosion.

▶ Do not store cans or bottles containing carbonated drinks or liquids which could freeze in the freezer. The cans or bottles could explode.

Danger of injury and damage to the appliance.

▶ When cooling drinks quickly in the freezer, make sure bottles are not left in for more than one hour, otherwise they could burst, resulting in injury or damage.

▶ Do not use sharp edged objects to

- remove frost and ice,
- separate frozen foods or remove ice trays.

They will damage the evaporator, causing irreversible damage to the appliance.

▶ Do not use any oils or grease on the door seal, as these will cause the seal to deteriorate and become porous with time.

▶ Do not block the ventilation gaps in the appliance as this would impair the efficiency of the appliance, increase the electricity consumption and could cause damage to the appliance.

Warning and Safety instructions

▶ The appliance is designed for use within certain climate ranges (ambient temperatures), and should not be used outside this range. The climate range for your appliance is stated on the data plate inside the appliance.

Installing it in a room with too low an ambient temperature, e.g. a garage, can lead to the appliance switching off for longer periods so that it cannot maintain the required temperature.

▶ Do not place electric heaters or candles in the appliance to defrost it. These can damage the plastic parts.

▶ Do not use defrosting sprays or de-icers, as they might contain substances which could damage the plastic parts or which could cause a build-up of gases and pose a danger to health.

▶ Do not use a steam-cleaning appliance to defrost or clean this appliance. Steam could reach the electrical components and cause a short circuit.

Disposal of your old appliance

▶ Before disposing of an old appliance, first make the door latch or lock unusable.

This way you will prevent children from accidentally locking themselves in and endangering their lives.

▶ Be careful not to damage any part of the pipework whilst awaiting disposal, e.g. by

- puncturing the refrigerant channels in the evaporator.
- bending any pipework.
- scratching the surface coating.

Splashes of refrigerant can damage the eyes.

The manufacturer cannot be held liable for damage caused by non-compliance with these Warning and Safety instructions.

How to save energy

	Normal energy consumption	Increased energy consumption
Installation site	In a ventilated room.	In an enclosed, unventilated room.
	Protected from direct sunlight.	In direct sunlight.
	Not situated near to a heat source (radiator, oven).	Situated near to a heat source (radiator, oven).
	Where the ideal ambient room temperature is approx. 20°C.	Where there is a high ambient room temperature.
Temperature setting with a thermostat which is approximate (set in stages).	With a medium setting of 2 to 3.	With a high setting: the lower the temperature in the compartment, the higher the energy consumption.
Temperature setting with a thermostat which is exact to the degree (digital display).	Cellar section 8 to 12°C	On appliances with winter setting, please make sure that the winter setting is switched off when the ambient temperature is warmer than 16 °C.
	Refrigerator section 4 to 5 °C	
	PerfectFresh zone just above 0 °C	
	Freezer section -18°C	
	Wine storage section 10 to 12 °C	
Use	Only open the doors when necessary and for as short a time as possible.	Frequent opening of the doors for long periods will cause a loss of coldness.
	Store food in an organised way.	If food is not stored in an organised way, searching for an item will mean the door is open for longer.
	Allow hot food and drinks to cool down before placing them in the appliance.	Placing hot food in the appliance will cause the compressor to run for a long time, as the appliance will have to work harder to lower the temperature.
	Store food covered or packaged.	The evaporation or condensation of liquids will cause a loss of coldness in the refrigerator.
	Place frozen food in the refrigerator to defrost.	
	Do not over-fill the appliance to allow air to circulate.	
Defrosting	Defrost the freezer compartment when a layer of ice 0.5 cm thick has built up.	A layer of ice hinders the cold from reaching the frozen food, and causes an increase in energy consumption.

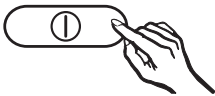
Switching on and off

Before using for the first time

- Clean the inside of the appliance and the accessories with lukewarm water and a little washing-up liquid, and then dry with a soft cloth.

Important:
To ensure the correct functioning of the appliance, let it stand for between 1½ and 2 hours after transporting it to its final location before connecting it to the mains.

Switching on



- Press the On/Off button.

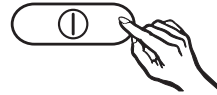
Bars will light up in the temperature display.
The appliance will start cooling.

To enable the temperature to get sufficiently cold inside the appliance, allow the appliance to run for a few hours before placing food in it.

Cool pack

Place the cool pack in the top drawer of the freezer. The cool pack will be at its most effective after it has been in the freezer for approx. 24 hours.

Switching off



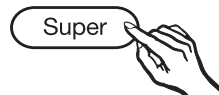
- Press the On/Off button for approx. 2 seconds.

The temperature display will go out and the cooling process will be switched off. If this does not happen, then the safety lock has been activated.

Safety lock

The safety lock can be activated to prevent the appliance being switched off inadvertently.

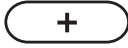
To activate the safety lock




- Press and hold the Super freeze button for approx. 5 seconds.

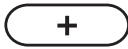
The **SF** indicator light will start to flash and a **c** will appear in the temperature display.

- Then press the Super freeze button again.



- You can now choose between **c 0** and **c 1** by pressing the temperature selector buttons:
0: the safety lock is de-activated,
1: the safety lock is activated.
- Press the Super freeze button to save the setting.

The safety lock indicator light  will light up when the safety lock has been activated.



- Press the On/Off button to come out of setting mode.

If you do not do this, the electronics will switch over to normal operation automatically after a couple of minutes.

Switching off for longer periods of time

If the appliance is not going to be used for a longer period of time, e.g. whilst on holiday:

- switch the appliance off,
- switch off at the wall socket and withdraw the plug,
- defrost and clean the appliance out, and
- leave the door ajar to air the appliance.

If, during a long absence, the appliance is switched off but not cleaned out and the door is left shut, there is a danger of mould and odours building up inside the appliance.

The correct temperature

It is very important to set the correct temperature for storing food in the appliance. Micro-organisms will cause food which is not stored at the correct temperature to deteriorate rapidly. Temperature influences the growth rate of these micro-organisms. Reducing the temperature reduces their growth rate.

To freeze fresh food and to store frozen food for a long time, a temperature of **-18 °C** is required. At this temperature the growth of micro-organisms is generally halted. As soon as the temperature rises above -10 °C, the micro-organisms become active in the food again so that it cannot be kept as long. For this reason, partially defrosted or defrosted food must not be re-frozen. Food may be re-frozen once it has been cooked, as the high temperatures achieved when cooking destroy most micro-organisms.

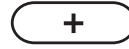
The temperature in the appliance will rise:

- the more often the door is opened and the longer it is kept open,
 - if too much food is stored in it at once,
 - the warmer the food is which is being put into it,
 - the higher the ambient temperature surrounding the appliance.
- The appliance is designed for use in specific ambient temperatures (climate ranges). Do not use in ambient temperatures for which it is not designed.

Setting the temperature

The temperature inside the appliance can be selected by pressing the +/- buttons.

Press the



+ button: to raise the temperature (it gets warmer)

- button: to reduce the temperature (it gets cooler).

The temperature being set will flash in the display.

When pressing the buttons, the following information shows in the display:

- When first pressed, the **last temperature selected** flashes.
- Each subsequent press of the button adjusts the temperature shown in 1 °C steps.
- Keeping the button pressed in adjusts the temperature continually.

Approx. 5 seconds after letting go of the button, the current **actual** temperature of the freezer is automatically shown.

The correct temperature

If you have adjusted the temperature, **wait for approx. 6 hours if the appliance is not very full** and **for approx. 24 hours if the appliance is full** before checking the temperature display as it will take this long for the display to give an accurate reading. If, after this time, the temperature is still too high or too low, you will need to adjust it again.

Temperature range

The temperature can be adjusted from: -14 °C to -28 °C

The ambient temperature in the room and the installation location can affect the time it takes for the appliance to reach the lowest temperature. If the ambient temperature is too high, the appliance may not reach the lowest temperature.

Temperature display

During normal operation, the temperature display on the control panel shows the temperature in the warmest part of the appliance.

If the temperature in the appliance is not within the range that the appliance is able to display (below 0°C), only bars will light up in the temperature display.

The **temperature display will flash** if

- a different temperature is being set,
- the temperature has risen too much, as a warning that the appliance is no longer cold enough.

This loss of coldness is no cause for concern in the following circumstances:

- when the door has been left open for a while, e.g. for removing or storing a large amount of food,
- when fresh food is being frozen.

As soon as the temperature has fallen to approx. -10 °C, the temperature display ceases to flash and lights up constantly.

However, if the temperature remains above -18 °C for a long time, check that the frozen food has not started to defrost. If it has, make sure that the food is safe to use and, if it is, then use it as soon as possible.

Temperature display brightness

The appliance is supplied with the brightness of the temperature display set as low as possible. However, if the door is opened, a setting changed or if the alarm is sounding, the temperature display will appear much brighter.

The level of brightness can be adjusted:



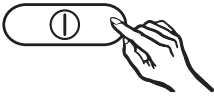
- Press and hold the Super freeze button for approx. 5 seconds.

The **SF** indicator light will start to flash and a **£** will appear in the temperature display.

The correct temperature



- Press one of the temperature selector buttons until a **h** appears in the display.
- Then press the Super freeze button again.
- The brightness of the display can be changed by pressing the temperature selector buttons. The range is from **1** to **5**:
1: dimmest setting,
5: brightest setting.
- Press the Super freeze button to save the setting.



- Press the On/Off button to come out of setting mode.

If you do not do this, the electronics will switch over to normal operation automatically after a couple of minutes.

Your appliance has been fitted with a warning system which ensures that the temperature in the freezer cannot rise unnoticed.

Temperature alarm

An alarm will sound and the temperature display will flash if the temperature becomes too warm.

The alarm will sound and the temperature display will flash,

- if the freezer door has been left open for a while, e.g. in order to load, re-arrange or take food out.
- when freezing large amounts of food at once.
- the appliance has been switched off for an extended period, and is switched on again.

Activating the alarm system

The warning system works automatically once the temperature in the freezer is cold enough.

Switching the alarm off early

As soon as the temperature in the freezer has dropped sufficiently, the alarm switches off and the temperature display stops flashing and lights up constantly. However, if the noise disturbs you, you can switch the alarm off before this if you wish.



- Press the alarm off button.

The alarm will stop. The temperature display will continue to flash until the set temperature has been reached. The display then stops flashing and lights up constantly. The alarm system is now ready should it be needed again.

Super freeze

Super freeze

Switch the Super freeze function on before putting fresh food into the freezer.

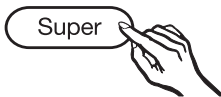
This helps food to freeze quickly and retain its nutrients, vitamins, flavours and appearance.

Exceptions:

- when placing food in the freezer that is already frozen.
- when freezing less than 2 kg fresh food daily.

Switching on Super freeze

When freezing small quantities of food in the freezer, the Super freeze function should be switched on **6 hours before loading the freezer**. When freezing **the maximum load of food** the Super freeze function should be switched on **24 hours before loading the freezer**.



- Press the Super freeze button.

The Super freeze indicator light **5F** comes on.

The temperature in the freezer falls, and the freezer operates on the coldest setting.

Switching off Super freeze

Depending on the amount of food placed in the freezer, the Super freeze function will switch off automatically after a minimum of 30 hours and a maximum of 65 hours. The indicator light goes out and the appliance continues running at normal power.

To save energy the Super freeze function can be switched off once a **constant** temperature of -18°C or colder has been reached in the freezer.

- Press the Super freeze button.

The Super freeze indicator light **5F** goes out, and the appliance continues running at normal power.

Maximum freezing capacity

To ensure that fresh food placed in the freezer freezes through to the core as quickly as possible, the maximum freezing capacity must not be exceeded. The maximum freezing capacity for freezing within a 24-hour period is given on the data plate "Freezing capacitykg/24 hrs".

The maximum freezing capacity given on the data plate has been calculated according to DIN EN ISO 15502 Standard.

Freezing fresh food

Fresh food should be frozen as quickly as possible. This way the nutritional value of the food, its vitamin content, appearance and taste are not impaired.

Food which takes a long time to freeze will lose more water from its cells, which then shrink.

During the defrosting process, only some of this water is reabsorbed by the cells; the rest collects around the food.

If food is frozen quickly, the cells have less time to lose moisture, so they shrink less.

As there is not so much moisture, it is easier for the food to reabsorb it during the defrosting process, and very little water collects around the defrosted food.

Storing frozen food

When buying frozen food to store in your freezer, check

- that the packaging is not damaged,
 - the use-by date,
 - the temperature at which the frozen food is being stored in the shop. The length of time it can be kept is reduced if it has been stored at a temperature warmer than -18 °C.
- Buy frozen food once you have finished the rest of your shopping, and wrap it in newspaper or use a cool bag or cool box to transport it.
 - Store it in the freezer as soon as possible.

Never re-freeze partially or fully defrosted food. Consume defrosted food as soon as possible as it will lose its nutritional value and spoil if left for too long. Defrosted food may only be re-frozen after it has been cooked.

Freezing and storing food

Home freezing

Only freeze fresh food which is in good condition.

Hints on home freezing

- The following types of food **are suitable** for freezing:
Fresh meat, poultry, game, fish, vegetables, herbs, fresh fruit, dairy products, pastry, leftovers, egg yolks, egg whites and a range of pre-cooked meals.
- The following types of food **are not suitable** for freezing:
Grapes, lettuce, radishes, sour cream, mayonnaise, eggs in their shells, onions, whole raw apples and pears.
- To retain colour, taste and vitamin C, vegetables should be blanched after they have been trimmed and washed.
To blanch: bring a large saucepan of water to the boil and immerse the vegetables in the fast boiling water for 2-3 minutes, depending on variety. Remove, and plunge into ice-cold water to cool quickly. Drain and pack ready for freezing.
- Lean meat freezes better than fatty meat, and can be stored for considerably longer.
- To prevent chops, steaks, cutlets or rolled meat from freezing together in solid blocks when packed, separate with a sheet of plastic freezer film.
- Do not season fresh foods or blanched vegetables before freezing. Only season cooked food

lightly before freezing, but care should be taken as the taste of some spices alters when frozen.

- Do not place hot food or drinks in the freezer. This causes already frozen food to thaw and increases the energy consumption considerably. Allow hot food and drinks to cool down before placing them in the freezer.

Packing

- Freeze food in portions.

Suitable packing material

- plastic freezer film
- freezer bags
- freezer containers
- aluminium foil

Unsuitable packing material

- wrapping paper
- grease-proof paper
- cellophane
- dustbin liners
- plastic carrier bags

- Expel as much air as possible from bags etc. before sealing them, to prevent freezer-burn on food.
- Close the packaging tightly with
 - rubber bands
 - plastic clips
 - string or bag ties
 - freezer tape.

Freezer bags may also be sealed using home heat-sealing kits.

- Make a note of the contents and the date of freezing on the packaging.

Before placing food in the freezer

- When freezing more than 2 kg of fresh food, switch on the Super freeze function for some time before placing the food in the freezer (see "Super freeze"). This also helps to prevent food that is already in the freezer from starting to defrost.

Placing food in the freezer

Fresh food can be placed in any drawer for freezing, however it is preferable to use the upper drawers. Large quantities should be placed directly on the glass cold plates to freeze the food quickly. To do this first take out one or several freezer drawers.

Each drawer and glass cold plate can take a maximum of 25 kg.

- Place the food flat in the base of the drawers or on the glass cold plates so that it freezes through to the core as quickly as possible.
- Make sure that the packaging and containers are dry to prevent them sticking together when frozen.

When freezing, make sure that food already frozen does not come into contact with fresh food being frozen as this could cause the frozen food to begin to defrost.

Freezing large items

To freeze a large item such as a turkey or joint of meat, the glass cold plates between the freezer drawers can be removed. To do this:

- Remove the freezer drawers, and carefully slide out the glass cold plate you wish to remove.

Defrosting

Frozen food can be defrosted in different ways:

- in a microwave oven,
- in the oven using the "Fan" or "Defrost" setting,
- at room temperature,
- in the refrigerator (the cold given off by the frozen food helps to keep other food cold),
- in a steam oven.

Poultry It is particularly important to observe food hygiene rules when defrosting poultry. Do not use the liquid from defrosted poultry. Pour it away and wash the container it was in, the sink and your hands. Danger of salmonella poisoning.

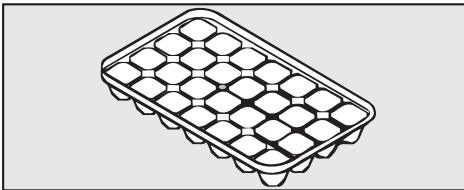
Fruit should be defrosted at room temperature in its packaging, or in a covered bowl.

Most vegetables can be cooked while still frozen. Just put straight into boiling water or hot fat. The cooking time is slightly less than that of fresh vegetables due to changes in the cell structure.

Freezing and storing food

Never re-freeze partially or fully defrosted food. Consume defrosted food as soon as possible as it will lose its nutritional value and spoil if left for too long. Defrosted food may only be re-frozen after it has been cooked.

Ice cubes



- Fill the ice tray three quarters full with water, and place it in the bottom of one of the drawers.
- Once frozen, use a blunt instrument, for example a spoon handle, to remove the ice tray from the freezer.
- Ice cubes can be removed easily from the tray by twisting the tray gently or by holding it under cold running water for a short while.

Cooling drinks

When cooling drinks quickly, make sure bottles are not left in the freezer for **more than one hour**, as they could burst.

Cool pack

The cool pack prevents the temperature in the freezer rising too quickly in the event of a power cut.

Place the cool pack in the upper drawer directly on top of food, or in the freezer tray to save space. The cool pack will be at its most effective after it has been in the freezer for approx. 24 hours.

If there is a power cut, place the cool pack directly on top of the frozen food in the upper drawer so that the food will be kept cold for as long as possible.

When placing fresh food in the freezer, use the cool pack to separate the fresh food from the food which is already frozen so that the frozen food does not begin to thaw.

The cool pack can also be used in a cool bag to keep food or drinks cool for a short period of time.

In normal use, ice and frost will form on the evaporator plates. If allowed to accumulate, this will impair the efficiency of the freezer and increase the consumption of electricity.

Do not scrape ice and frost off the evaporator plates as this can damage them and render the freezer unusable.

The freezer should be defrosted from time to time. It must be defrosted if a layer of ice approx. 5 mm thick has accumulated. It is best to defrost when only very little food or no food at all is left in the freezer.

Before defrosting

- Switch on the Super freeze function at least 4 hours before defrosting to ensure frozen food retains its cold reserve for longer when taken out of the freezer.
- Remove the frozen food from the freezer and place it in another freezer, or cool-box, or wrap it in several layers of newspaper or cloths and store in a cool place until the freezer is ready for use again.
- Remove all the freezer drawers from the freezer.

To defrost

Carry out the defrosting procedure as quickly as possible if food has not been placed in another freezer. The longer the food is left out at room temperature, the faster it defrosts.

- Switch the appliance off.

If the temperature display does not switch off, the safety lock is switched on.

- Unplug the appliance.
- Open the freezer door.

To speed up defrosting, a bowl containing hot water (not boiling) can be placed in the appliance. Closing the door in this instance will help retain the warmth and speed up the defrosting process.

We do not recommend the use of hot air blowers such as hairdryers for defrosting your appliance.

Never place electric heaters or candles in the appliance to defrost it. These can damage the plastic parts.

Do not use defrosting sprays, or de-icers as they could contain substances which could damage the plastic parts and which may cause a build up of gases and pose a danger to health.

Defrosting

After defrosting

- Use a sponge or towel to soak up any water from defrosting still in the appliance.
- Clean the appliance and then dry it thoroughly.
- Close the appliance door, insert the plug in the socket and switch the appliance back on.
- Switch on the Super freeze function so that the freezer can cool down quickly. The **5F** indicator light will come on.
- Once the temperature in the freezer is sufficiently low, place the food back in the freezer drawers and put them back in the freezer.
- The Super freeze function can now be switched off.
The **5F** indicator light will go out.

- A range of Miele branded cleaning agents including a microfibre "E-Cloth" is available from the Miele UK Spare Parts Department, or via the internet at www.miele-shop.com.

Never use cleaning agents containing abrasive substances such as sand, soda, acids or chemical solvents. "Non-abrasive" cleaning agents are also unsuitable as they can cause matt areas to appear.

Make sure that water cannot get into the electronic unit or into the ventilation gaps.

Do not use steam cleaning apparatus to clean the appliance. Steam could reach the electrical components and cause a short circuit.

The data plate located inside the appliance must not be removed. It contains information which is required in the event of a service call.

Before cleaning

- Switch the appliance off, switch off at the socket and remove the plug.
- Take any frozen food out of the appliance and store it in a cool place.
- Defrost the freezer.
- Take out any removable parts, e.g. shelves, for cleaning.

Cleaning the outer casing, the interior and accessories

Use warm water with a little washing-up liquid. Wash all accessories and drawers by hand only. Do not wash in a dishwasher.

- After cleaning, wipe the outer casing, the interior and accessories with a damp cloth and dry with a soft cloth. Leave the door open to air the appliance for a short while.

Ventilation gaps

- The ventilation gaps should be cleaned regularly with a brush or vacuum cleaner. A build-up of dust will increase the energy consumption of the appliance.

Door seal

Do not use any oils or grease on the door seal. These will cause the seal to deteriorate and become porous over time.

The door seal should be cleaned regularly with clean water and then wiped dry with a soft cloth.

Cleaning and care

Metal grille at the back of the appliance

The metal grille at the back of the appliance (heat exchanger) should be dusted at least once a year. A build-up of dust will increase the energy consumption of the appliance.

When cleaning the grille, make sure that the pipework and other components do not get broken or damaged in any way.

After cleaning

- Close the appliance door, insert the plug in the socket and switch the appliance back on.
- Switch on the Super freeze function so that the appliance can cool down quickly.
- Once the temperature in the freezer has reached the required temperature, place the food back in the freezer drawers and put them back in the freezer.
- Switch off Super freeze by pressing the Super freeze button when the temperature in the freezer is a constant -18 °C or colder. The indicator light will go out.

Repairs to electrical appliances should only be carried out by a suitably qualified and competent person in strict accordance with current local and national safety regulations. Repairs and other work by unqualified persons could be dangerous. The manufacturer cannot be held liable for unauthorised work.

Some minor problems can be corrected without contacting Miele.

What to do if . . .

. . . the appliance does not get cool.

- Check whether the appliance has been switched on. The temperature display must be lit up.
- Check that the plug is correctly inserted into the socket and switched on.
- Check that the fuse is not defective and that the mains fuse has not tripped. If it has, contact the Miele Service Department.

. . . the door will not open because it has been opened and closed too many times in succession.

This is not a fault. The suction caused by opening and closing the door is preventing the door from opening. Wait a few minutes and then try again. It should now open without force.

. . . the temperature inside the appliance is too low.

- Select a warmer temperature.
- The Super freeze function is switched on. The indicator light *5F* is on.

. . . the compressor is switching in too frequently and for too long.

- Check whether the ventilation gaps have been covered over or become dusty.
- Check whether the metal grille (heat exchanger) at the rear of the appliance has become dusty.
- The door has been opened too frequently, or a large amount of fresh food has been put in at once for freezing.
- Check that the door has been closed properly.
- Check to see whether a thick layer of ice has built up in the freezer. If it has, then the freezer will need defrosting.

Problem solving guide

. . . the alarm sounds and the temperature display flashes.

The freezer is too warm, because

- the door has been opened too frequently, or large amounts of fresh food have been put in at once for freezing.
- the appliance has been switched off for an extended period, and has been switched on again.
- the ventilation gaps are blocked.

Once the problem has been resolved and the temperature inside the freezer is sufficiently cold, the alarm will stop and the temperature display will light up constantly.

. . . bars light up in the temperature display.

Check the temperature display about 6 hours after switching on the appliance. The temperature will only show in the display once the temperature inside the appliance falls below 0 °C.

. . . F1 to F5 show in the temperature display.

There is a fault. Call the Service Department. A safety switch will maintain the temperature of the appliance as long as the door is kept shut.

. . . the alarm sounds and "nA" appears in the temperature display.

The temperature has risen too high at some point during the last couple of days because of a power cut.

- Press the alarm button whilst "nA" is lit up in the display.

The alarm will stop. The temperature display will show the warmest temperature recorded in the freezer during the power cut.

Depending on the temperature displayed, you should check the condition of food in the freezer. If food has defrosted or started to defrost, check that it is still safe to use, and if so, use it as quickly as possible. Defrosted food may only be re-frozen after it has been cooked.

The warmest temperature will show in the display for about 1 minute. The display will then revert to showing the actual current temperature in the freezer.

The display can be switched off manually by pressing the alarm off button.

. . . food has frozen together.

Use a blunt instrument, e.g. a spoon handle or plastic scraper, to prise it apart carefully.

. there is a thick layer of ice in the freezer.

- Check whether the door closes properly.
- Defrost and then clean the freezer.

Too thick a layer of ice reduces efficiency and increases energy consumption.

. . . the Super freeze indicator light does not light up, even though the appliance is working.

- The indicator light is defective. Call the Service Department.

. . . you cannot switch the appliance off.

The safety lock has been activated.

If you still cannot remedy the fault having followed these suggestions, please contact the Miele Service Department.

To prevent unnecessary loss of temperature it is advisable not to open the door while waiting for the appliance to be serviced.

Noises

Normal noises	What causes them
Brrrrr...	Humming noise made by the motor (compressor). This noise can get louder for brief periods when the motor is switching on.
Blubb, blubb....	A gurgling noise can be heard when coolant is circulating through the pipes.
Click....	Clicking sounds are made when the thermostat switches the motor on and off.
Sssrrrrr....	On multi-zone and frost-free appliances you can sometimes just hear the movement of air circulating inside the appliance.

Remember that the noise of the compressor and the coolant circulating in the system is unavoidable.

Noises that you can easily rectify	What causes them, and what can you do about them?
Rattling, vibrating	The appliance is uneven: Realign the appliance using a spirit level, by raising or lowering the screw feet underneath the appliance.
	The appliance is touching another appliance or piece of furniture: Move it away.
	Drawers, baskets or shelves are unstable or sticking: Check all removable items and refit them correctly.
	Are any bottles or containers unstable or knocking against each other? Separate them.
	The transport cable clips are hanging loose at the back of the appliance: Remove the clips.

In the event of a fault which you cannot correct yourself, or if the appliance is under guarantee, please contact:

- your Miele Dealer or Chartered Agent
- or
- the Miele Service Department
(see back cover for contact details).

When contacting your Dealer/Chartered Agent or Miele, please quote the model and serial number of your appliance. This information is given on the data plate inside your appliance.

Please note that telephone calls may be monitored and recorded for training purposes.

Guarantee

For information on the appliance guarantee specific to your country please contact Miele. See back cover for contact details.

In the U.K. your appliance is guaranteed for 2 years from the date of delivery. However, you must activate your cover by calling 08706 080028 or registering online at www.miele.co.uk.

Electrical connection

Electrical connection U.K.

All electrical work should be carried out by a suitably qualified and competent person in strict accordance with current local and national safety (BS 7671 in the UK).

The appliance is supplied with a mains cable and moulded plug ready for connection to an a.c. single phase 220-240 V 50 Hz supply.

The voltage and frequency are given on the data plate. Please ensure that these match the household mains supply. The fuse rating is quoted on the plug.

Connection should be made via a suitable switched socket which is easily accessible. For extra safety it is advisable to install a suitable residual current device (RCD).

Do not connect the appliance to the mains electricity supply by an extension lead. Extension leads do not guarantee the required safety of the appliance (e.g. danger of overheating).

The appliance must not be connected to an inverter and must not be used with a plug adapter as these can cause damage to the appliance's electronic unit.

Non-rewireable plugs (BS 1363)

The fuse cover must be re-fitted when changing the fuse, and if the fuse cover is lost, the plug must not be used until a suitable replacement is obtained. The colour of the correct replacement cover is that of the coloured insert in the base of the plug, or the colour that is embossed in words in the base of the plug (as applicable to the design of the plug fitted).

Replacement fuses should be ASTA approved to BS 1362 and have the correct rating. Replacement fuses and fuse covers may be purchased from your local electrical supplier.

WARNING
THIS APPLIANCE MUST BE
EARTHED

Do not place any appliance which gives off heat, such as a toaster or microwave oven, on top of this appliance, as this would increase the appliance's energy consumption.

This appliance must not be installed directly next to another refrigerator or freezer. It does not have side-wall heating, so installation next to another refrigerator or freezer could cause a build-up of condensation between them. Further information is available from your dealer.

Location

This appliance should be installed in a dry, well-ventilated room. It should not be installed where it is exposed to direct sunlight or directly adjacent to a heat-producing appliance such as an oven or a radiator. The room temperature should not go above or below the climate range for which the appliance is designed. The higher the ambient temperature of the room, the more energy the appliance requires to operate.

Climate range

The appliance is designed for use within certain climate ranges (ambient temperatures), and should not be used outside this range. The climate range of the appliance is stated on the data plate inside the appliance.

Climate range	Ambient room temperature
SN	+ 10 to +32 °C
N	+16 to +32 °C
ST	+16 to +38 °C
T	+16 to +43 °C
SN-ST	+10 to +38 °C
SN-T	+10 to +43 °C

The appliance will function perfectly down to an ambient temperature of +5 °C.

Ventilation

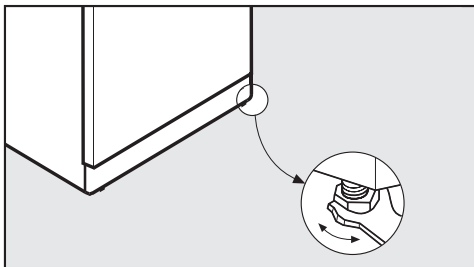
Air at the back of the appliance gets warm. To ensure sufficient ventilation, the ventilation gaps must not be covered over. The air inlet and outlet must not be covered or blocked in any way. They should be dusted on a regular basis.

Installation

- Remove the cable clip from the back of the appliance.
- Check that all parts at the back of the appliance are unhindered. Carefully remove any hindrance.
- Carefully push the appliance into position
- with the back against the wall.

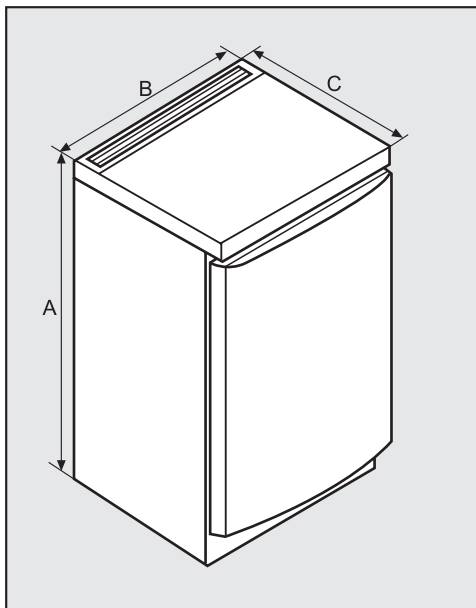
Installation

Aligning the appliance



- To align the appliance, adjust the feet using the spanner supplied.

Appliance dimensions

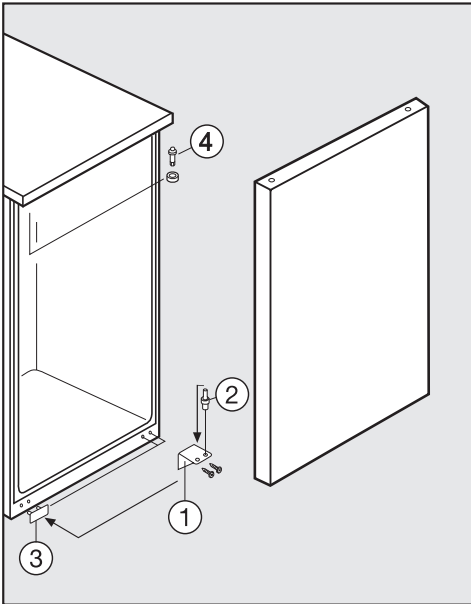


	A	B	C
F 12020 S	850 mm	600 mm	624 mm

Changing the door hinging

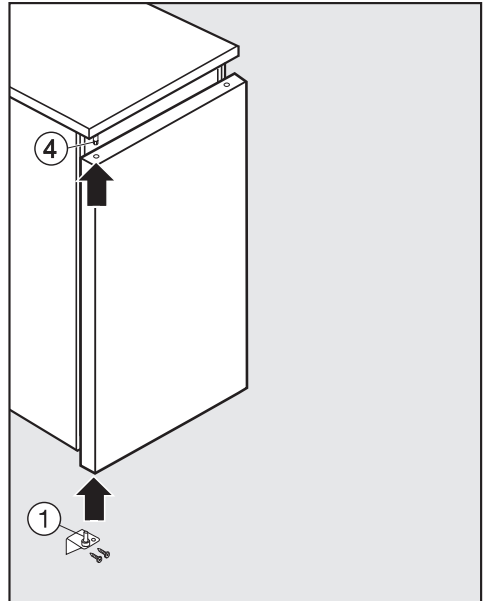
The appliance is supplied right hand hinged. If left hand door hinging is required, follow the instructions below.

- Close the door.



- Unscrew lower hinge bracket (1), and remove.
- Then lift the door down and off.
- Take hinge pin (2) out of hinge bracket (1), then refit in the other hole of the hinge bracket. (Use the spanner supplied to unscrew and refit the hinge pin).

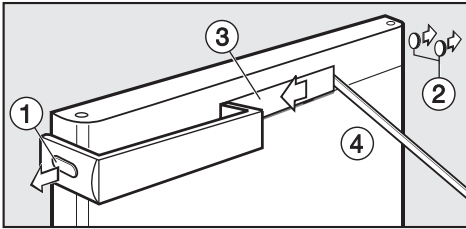
- Remove cover (3) and use it to cover the now empty holes on the opposite side.
- Use the spanner supplied to unscrew upper hinge pin (4) and refit it on the other side.
- Take care not to lose the washer.



- Fit the appliance door onto upper hinge pin (4) and then close the appliance door.
- Screw hinge bracket (1) into the lower door bearing.
- Use the long slots in the hinge bracket to align the door. Make sure you have tightened all screws properly.

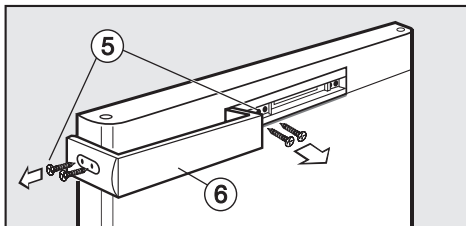
Changing the door hinging

Changing over the door handle

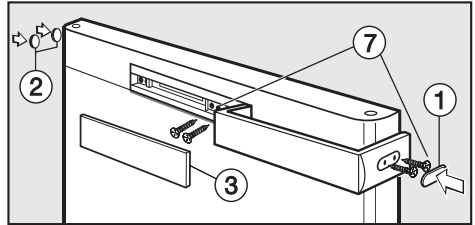


- Carefully remove cover ① and stoppers ② from the sides using a flatheaded screwdriver.
- Push cover ③ to the left by placing a suitable wooden or plastic tool ④ in the groove on the right hand side.
- Carefully remove cover ③.

Be careful not to let the tool slip, causing damage to the appliance.



- Loosen screws ⑤ on the handle side and in the middle, and remove handle ⑥.



- Turn the handle 180° and fit to the opposite side.
- First screw it at the side and then in the middle ⑦.
- In the same way, replace cover ① and stoppers ② on the opposite side.
- Replace centre cover ③ by clipping it in first on the left and then on the right hand side.



United Kingdom

Miele Co. Ltd.
Fairacres, Marcham Road
Abingdon, Oxon, OX14 1TW
Tel: (01235) 554455
Fax: (01235) 554477
Customer Contact Centre Tel: (08707) 554466
E-mail: info@miele.co.uk
Internet: www.miele.co.uk

Australia

Miele Australia Pty. Ltd.
A.C.N. 005635398
1 Gilbert Park Drive, Knoxfield, VIC 3180
Tel: (03) 9764 7130
Fax: (03) 9764 7149
Internet: www.miele.com.au

China

Miele Shanghai Rep. Office
Room 4105 - 6, 41 Floor
Plaza 66, 1266 Nan-Jing Road/ West
Shanghai 200040
Tel: +86 21 6288 4200
Fax: +86 21 6288 4100
E-mail: mieleshanghai@cn.miele.com
Internet: www.miele.cn

Hong Kong

Miele (Hong Kong) Limited
AIA Plaza, 24 Floor
18 Hysan Avenue
Causeway Bay
Tel: +852- 2610-1331
Fax: +852-2610-1013
E-mail: mielehk@miele.com.hk
Internet: www.miele.hk

Ireland

Miele Ireland Ltd.
Broomhill Road, Tallaght, Dublin 24
Tel: (01) 461 0710
Fax: (01) 461 07 97
E-Mail: info@miele.ie
Internet: www.miele.ie

New Zealand

Miele New Zealand Limited
Unit L, 10-20 Sylvia Park Road
Mt. Wellington, 1060, Auckland, NZ
Tel: 0800 264353
Fax: 0800 463453
Internet: www.miele.co.nz

South Africa

Miele (Pty) Ltd
63 Peter Place, Bryanston 2194
P.O. Box 69434, Bryanston 2021
Tel: +27 (0) 11 548-1900
Fax: +27 (0) 11 548-1935
E-mail: info@miele.co.za
Internet: www.miele.co.za

Singapore

Miele Southeast Asia
Miele Pte. Ltd.
163 Penang Road
04 - 02/03 Winsland House II
Singapore 238463
Tel: +65 6735 1191
Fax: +65 6735 1161
E-Mail: infosea@miele.com.sg
Internet: www.miele.sg

United Arab Emirates

Miele Appliances Ltd.
P.O. Box 11 47 82
Gold & Diamond Park
Sheikh Zayed Road
Building 6 / Offices Nos. 6-214 to 6-220
Dubai
Tel: +971-4-341 84 44
Fax: +971-4-341 88 52
E-Mail: info@miele.ae
Internet: www.miele.ae



Free Manuals Download Website

<http://myh66.com>

<http://usermanuals.us>

<http://www.somanuals.com>

<http://www.4manuals.cc>

<http://www.manual-lib.com>

<http://www.404manual.com>

<http://www.luxmanual.com>

<http://aubethermostatmanual.com>

Golf course search by state

<http://golfingnear.com>

Email search by domain

<http://emailbydomain.com>

Auto manuals search

<http://auto.somanuals.com>

TV manuals search

<http://tv.somanuals.com>