

Contents

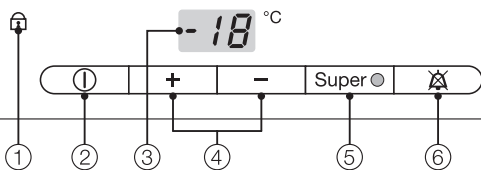
| | |
|--|----|
| Description of the appliance | 4 |
| Optional accessory | 6 |
| Miele@home | 6 |
| Caring for the environment | 7 |
| Warning and Safety instructions | 8 |
| How to save energy | 12 |
| Switching on and off | 13 |
| Safety lock | 13 |
| Switching off for longer periods of time | 14 |
| The correct temperature | 15 |
| Temperature selection | 15 |
| Temperature range | 16 |
| Temperature display | 16 |
| Temperature display brightness | 16 |
| Alarm | 18 |
| Temperature alarm | 18 |
| Door alarm | 18 |
| Switching on the alarm system | 18 |
| Switching the alarm off early | 18 |
| Super freeze | 19 |
| Freezing fresh food | 19 |
| Super freeze | 19 |
| Switching on Super freeze | 19 |
| Switching off Super freeze | 19 |
| Freezing and storing food | 20 |
| Maximum freezing capacity | 20 |
| Isolation plate | 20 |
| To take out the isolation plate | 20 |
| Important | 20 |
| Storing frozen food | 21 |
| Home freezing | 21 |
| Hints on home freezing | 21 |
| Packing | 22 |
| Before placing food in the freezer | 22 |
| Placing food in the freezer | 22 |
| Freezer calendar | 23 |
| Marker system for frozen food | 23 |

Contents

| | |
|---|----|
| Defrosting | 23 |
| Ice cubes | 24 |
| Cooling drinks | 24 |
| Freezer tray | 24 |
| Cool pack. | 25 |
| Defrosting | 26 |
| Cleaning and care | 27 |
| Cleaning the outer casing, the interior and accessories | 27 |
| E-cloth | 27 |
| Door handle | 27 |
| Ventilation gaps | 28 |
| Door seal | 28 |
| Metal grille at the back of the appliance | 28 |
| Problem solving guide | 29 |
| Noises | 32 |
| Service Department | 33 |
| Electrical connection | 34 |
| Electrical connection U.K. | 34 |
| Installation | 35 |
| Location | 35 |
| Climate range | 35 |
| Ventilation. | 35 |
| Installation | 35 |
| Aligning the appliance. | 35 |
| Changing the door hinging | 36 |

Description of the appliance

 NO FROST



① Safety lock indicator light

② On/Off button

③ Temperature display

④ Controls for setting the temperature

Left hand button: warmer

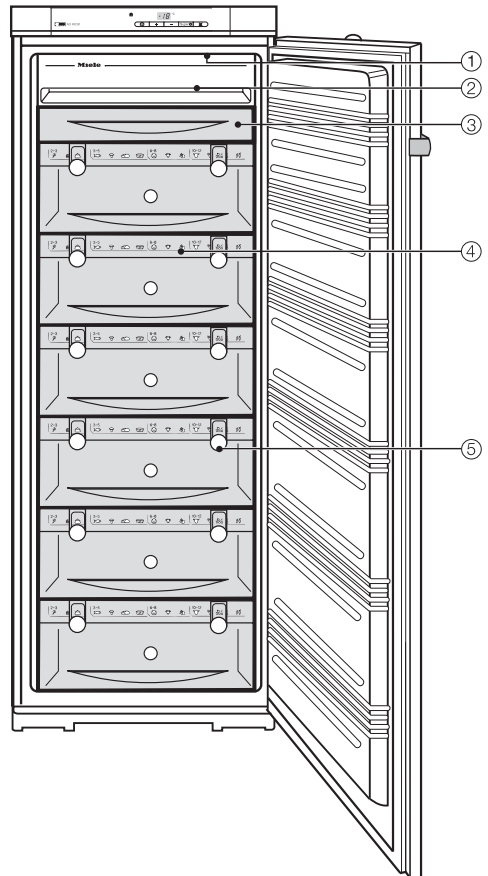
Right hand button: colder

⑤ Super freeze button and indicator light

⑥ Alarm off button

Description of the appliance

- ① Lighting
- ② Frost free system
- ③ Freezer tray
- ④ Freezer drawers with freezer calendar
- ⑤ Marker system for frozen food



Description of the appliance

Optional accessory

Miele@home

The Miele@home system gives you the ability to check information about your appliance at any time.

For example, if a temperature alarm, power cut or other fault message occurs, this information will be relayed directly to the Miele@home system.

You will need a Miele@home system (e.g. the Miele@home InfoControl) and your appliance must be fitted with Communication module (XKM 2000 KF).

Please refer to the leaflet supplied with the Miele@home Communication module for details on how to install it and on how to sign it on to your Miele@home system.

The Miele@home system is supplied with its own operating instructions.

Disposal of packing material

The transport and protective packing has been selected from materials which are environmentally friendly for disposal and can normally be recycled.

Ensure that any plastic wrappings, bags etc. are disposed of safely and kept out of the reach of babies and young children. Danger of suffocation!

Rather than just throwing these materials away, please ensure that they are recycled.

Disposal of your old appliance

Please ensure that your old appliance is disposed of at an authorised disposal centre only. Contact your local authority for advice if required.

Make sure that the pipework is not damaged whilst moving an old appliance. This is to ensure that the refrigerant and oil in the compressor cannot leak into the environment. It is important that they are disposed of in a safe manner by authorised persons only.

Ensure that the appliance presents no danger to children while being stored for disposal.

See the appropriate section in the Warning and Safety instructions.

Warning and Safety instructions

This appliance complies with all relevant legal safety requirements. Improper use can, however, present a risk of both personal injury and material damage.

To avoid the risk of accidents and damage to the appliance, read the operating instructions carefully before installation and before using for the first time. They contain important notes on the installation, safety, operation and care of the appliance.

Keep these operating instructions in a safe place and pass them on to any future user.

Correct use

■ This appliance is intended for domestic use only, to store deep frozen food, freeze fresh food, and to make ice.

Any other usage is not supported by the manufacturer and could be dangerous. The manufacturer cannot be held liable for damage caused by incorrect or improper use of the appliance.

This appliance is not a toy! To avoid the risk of injury, do not allow children to play on or near it, or to play with the controls. Supervise its use by the elderly or infirm.

Technical safety

■ This appliance contains the coolant Isobutane (R600a), a natural gas which is environmentally friendly. Although it is flammable, it does not damage the ozone layer and does not increase the greenhouse effect. The use of this coolant has, however, led to a slight increase in the noise level of the appliance. In addition to the noise of the compressor, you might be able to hear the coolant flowing around the system. This is unavoidable, but does not have any adverse effect on the performance of the appliance. Care must be taken during the transportation and installation of the appliance that no parts of the cooling system are damaged. Leaking coolant can damage the eyes.

In the event of any damage:

- avoid open fires and anything which creates a spark,
- disconnect from the mains,
- air the room in which the appliance is located for several minutes and
- contact the Service Department for advice.

■ The more coolant there is in an appliance, the larger the room it should be installed in. In the event of a leakage, if the appliance is in a small room, there is the danger of combustible gases building up. For every 8 g of coolant at least 1 m³ of room space is required. The amount of coolant in the appliance is stated on the data plate inside the appliance.

Warning and Safety instructions

Before connecting the appliance to the mains supply, make sure that the rating on the data plate corresponds to the voltage and frequency of the household supply. This data must correspond in order to avoid the risk of damage to the appliance. Consult a qualified electrician if in any doubt.

The electrical safety of this appliance can only be guaranteed when continuity is complete between the appliance and an effective earthing system, which complies with local and national safety regulations. It is most important that this basic safety requirement is present and regularly tested. Where there is any doubt, the household wiring system should be inspected by a qualified electrician. The manufacturer cannot be held liable for the consequences of an inadequate earthing system (e.g. electric shock).

Safe operation of the appliance is only assured if it has been installed and connected in accordance with these operating and installation instructions.

This equipment may only be used in mobile installations such as ships, caravans, aircraft etc. if a risk assessment of the installation has been carried out by a suitably qualified engineer.

Installation work, maintenance and repairs may only be carried out by suitably qualified and competent persons in accordance with national and local safety regulations. Repairs and other work by unqualified persons could be dangerous and the manufacturer will not be held liable. Ensure current is not supplied to the appliance while maintenance or repair work is being carried out.

The appliance is only completely isolated from the electricity supply when:

- it has been switched off at the socket and the plug has been withdrawn.
- the mains fuse is withdrawn, or
- the screw-out fuse is removed (in countries where this is applicable).

Do not connect the appliance to the mains electricity supply by an extension lead.

Extension leads do not guarantee the required safety of the appliance (e.g. danger of overheating).

Warning and Safety instructions

Use

■ Never handle frozen food with wet hands. Your hands may freeze to the frozen food. Danger of frost burn.

■ Do not take ice cubes out with your bare hands and never place ice cubes or ice lollies in your mouth straight from the freezer.

The very low temperature of the frozen ice or lollies can cause frost burn to the lips and tongue.

■ Do not allow children to play with the appliance, for example to climb inside the drawers or to swing on the door.

■ Do not refreeze thawed or partially thawed food.

Defrosted food should be used up as quickly as possible, as food soon loses its nutritional value and goes off.

Defrosted food may only be re-frozen after it has been cooked.

■ Storage times will depend on several factors, including the freshness and quality of the food as well as the temperature at which it is stored. To avoid the risk of food poisoning, follow the instructions given on the food manufacturer's packaging on the storage conditions required, as well as the "use by" date.

■ Do not store explosive materials in the appliance or any products containing propellants (e.g. spray cans). Thermostats switching on may produce sparks which could present a fire hazard. Flammable compounds could explode.

■ Do not store cans or bottles containing carbonated drinks or liquids which could freeze in the freezer. The cans or bottles could explode.

Danger of injury and damage to the appliance.

■ When cooling drinks quickly in the freezer, make sure bottles are not left in for more than one hour, otherwise they could burst. This could result in injury or damage.

■ Do not use sharp edged objects to

- remove frost and ice,
- separate frozen foods or remove ice trays. They will damage the evaporator, causing irreversible damage to the appliance.

■ Do not use any oils or grease on the door seals, as these will cause the seals to deteriorate and become porous with time.

■ Do not block the ventilation gaps in the appliance as this would impair the efficiency of the appliance, increase the electricity consumption and could cause damage to the appliance.

Warning and Safety instructions

■ The appliance is designed for use within certain climate ranges (ambient temperatures), and should not be used outside this range. The climate range for your appliance is stated on the data plate inside the appliance. Installing it in a room with too low an ambient temperature, e.g. a garage, will lead to the appliance switching off for longer periods so that it cannot maintain the required temperature.

■ Never place electric heaters or candles in the appliance to defrost it. These can damage the plastic parts.

■ Do not use defrosting sprays or de-icers, as they might contain substances which could damage the plastic parts or which could cause a build-up of gases and pose a danger to health.

■ Never use a steam-cleaning appliance to defrost or clean this appliance. Pressurised steam could reach the electrical components and cause a short circuit.

■ In countries where there are areas which may be subject to infestation by cockroaches or other vermin, pay particular attention to keeping the appliance and its surroundings in a clean condition at all times. Any damage which may be caused by cockroaches or other vermin will not be covered by the guarantee.

Disposal of your old appliance

■ Before disposing of an old appliance, first make the door latch or lock unusable. This way you will prevent children from accidentally locking themselves in and endangering their lives.

■ Disconnect it from the mains. Cut off the cable and render any plug unusable.

■ Be careful not to damage any part of the pipework whilst awaiting disposal, e.g. by

- puncturing the refrigerant channels in the evaporator.
- bending any pipework.
- scratching the surface coating.

Splashes of refrigerant can damage the eyes.

The manufacturer cannot be held liable for damage caused by non-compliance with these Warning and Safety instructions.

How to save energy

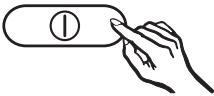
| | normal energy consumption | increased energy consumption |
|--|--|---|
| Installation | In a ventilated room. | In an enclosed, unventilated room. |
| | Protected from direct sunlight. | In direct sunlight. |
| | Not situated near to a heat source (radiator, oven). | Situated near to a heat source (radiator, oven). |
| | Where the ambient room temperature is ideal at approx. 20°C. | Where there is a high ambient room temperature. |
| Temperature setting with a thermostat which is approximate (set in stages). | With a medium setting of 2 to 3. | With a high setting: The lower the compartment temperature, the higher the energy consumption. |
| Temperature setting with a thermostat which is exact to the degree (digital display). | Cellar section 8 to 12°C | On appliances with winter setting, please make sure that the winter setting is switched off when the ambient temperature is warmer than 16 °C. |
| | Refrigerator section 4 to 5 °C | |
| | StayFresh zone approx. 0°C | |
| | Freezer section -18°C | |
| Use | Only open the door when necessary and for as short a time as possible. | Frequent opening of the door for long periods will cause a loss of coldness. |
| | Store food in an organised way. | If food is not stored in an organised way, searching for an item will mean the door is open for longer. |
| | Allow hot food and drinks to cool down before placing them in the appliance. | Placing hot food in the appliance will cause the compressor to run for a long time, as the appliance will have to work harder to lower the temperature. |
| | Store food covered or packaged. | The evaporation or condensation of liquids will cause a loss of coldness in the refrigerator. |
| | Place frozen food in the refrigerator to defrost. | |
| | Do not over-fill the sections to allow air to circulate. | |
| Defrosting | Defrost the freezer section when a layer of ice one centimetre thick has built up. | A layer of ice hinders the cold from reaching the frozen food, and causes an increase in energy consumption. |

Before using for the first time

- Clean the inside of the appliance and the accessories with warm water and a little washing up liquid, and then dry with a soft cloth.

Important:
To ensure the correct functioning of the appliance, let it stand for between ½ and 1 hour after transporting it to its final location before connecting it to the mains.

Switching on



- Press the On/Off button.

The temperature display will light up and the appliance starts cooling.

Allow the appliance to run for a few hours before placing food in it. This will ensure that the temperature is sufficiently low.

Cool pack

Place the cool pack in the top freezer drawer or to save space on the freezer tray. The cool pack will be at its most effective after it has been in the freezer for approx. 24 hours.

Switching off

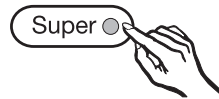
- Press the On/Off button until the temperature display goes out.

The cooling system is switched off. (If this does not happen, the safety lock is still activated).

Safety lock

The safety lock can be activated to prevent the appliance being switched off inadvertently.

Activating or de-activating the safety lock




- Press and hold the Super freeze button pressed in for approx. 5 seconds.

The Super freeze indicator light flashes and a **⏸** flashes in the temperature display.

- Press the Super freeze button again. **⏸** lights up in the temperature display.
- You can now choose between **⏸** and **⏸** by pressing the temperature selector buttons:
 - ⏸**: the safety lock is de-activated,
 - ⏸**: the safety lock is activated.

- Press the Super freeze button to save the setting.

The safety lock indicator light  will light up when the safety lock has been activated.

- Press the On/Off button to come out of the setting mode.

The electronics will then switch over to normal operation after a couple of minutes.

Switching on and off

Switching off for longer periods of time

If the appliance is not going to be used for a longer period of time, e.g. whilst on holiday,

- switch the appliance off,
- switch off at the wall socket and withdraw the plug,
- clean the appliance out and
- leave the door ajar to air the appliance.

If, during a long absence, the appliance is switched off but not cleaned out and the door is left shut there is a danger of mould and odours building up inside the appliance.

The correct temperature

It is very important to set the correct temperature for storing food in the appliance. Micro-organisms will cause food which is not stored at the correct temperature to deteriorate rapidly. Temperature influences the growth rate of these micro-organisms. Reducing the temperature reduces their growth rate.

To freeze fresh food and to store frozen food for a long time, a temperature colder than **-18 °C** is required. At this temperature the growth of micro-organisms is generally halted. As soon as the temperature rises above -10 °C, the micro-organisms become active in the food again so that it cannot be kept as long. For this reason, partially defrosted or defrosted food must not be re-frozen. Food may be re-frozen once it has been cooked, as the high temperatures achieved when cooking destroy most micro-organisms.

The temperature in the appliance will rise:

- the more often the door is opened and the longer it is kept open,
- if too much food is stored in it at once,
- the warmer the food is which is being put into it,
- the higher the ambient temperature surrounding the appliance.

The appliance is designed for use in specific ambient temperatures (climate ranges). Do not use in ambient temperatures for which it is not designed.

Temperature selection

Use the two buttons underneath the temperature display to set the temperature for the freezer.

Press the



left button: to raise the temperature
right button: to reduce the temperature

The temperature being set will flash in the display.

After setting the temperature you can see the following information in the display by pressing the buttons:

- When first pressed, the **last temperature selected** flashes.
- Each subsequent press of the button adjusts the temperature shown in 1 °C steps.
- Keeping the button pressed in adjusts the temperature continually.

Approx. 5 seconds after letting go of the button, the current **actual** temperature of the freezer is automatically shown.

The correct temperature

If you have adjusted the temperature, **wait for approx. 6 hours if the appliance is not very full and for approx. 24 hours if the appliance is full** before checking the temperature display as it will take this long for the display to show the accurate temperature of the appliance. If, after this time, the temperature is still too high or too low, you will need to adjust it again.

Temperature range

The temperature can be adjusted from: -14 °C to -28 °C

The ambient temperature in the room and the installation location can affect the time it takes for the appliance to reach the lowest temperature. If the ambient temperature is too high, the appliance may not reach the lowest temperature.

Temperature display

During normal operation the temperature display on the control panel shows the temperature in the warmest part of the appliance.

If the temperature is not within the range that the appliance is able to display (below 0 °C), bars will flash in the temperature display.

The **temperature display will flash**, if

- a different temperature is being set,
- the temperature in the appliance has risen by several degrees, indicating that the appliance is warming up too much.

This loss of coldness is no cause for concern in the following circumstances:

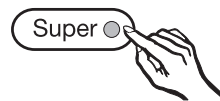
- when the door has been left open for a while, e.g. for removing or storing a large amount of food,
- when fresh food is being frozen.

However, if the temperature in the freezer remains above -18 °C for a long time, check that the frozen food has not started to defrost. If it has started thawing, check that the food is safe to use and if it is, use it as quickly as possible.

Temperature display brightness

The appliance is supplied with the brightness of the temperature display set as low as possible. However, if the door is opened, a setting changed or if the alarm is sounding, the temperature display will appear much brighter for approx. 1 minute.

You can adjust the level of brightness:



- Press and hold the Super freeze button pressed in for approx. 5 seconds.

The Super freeze indicator light flashes and a **C** flashes in the temperature display.

The correct temperature

- Press one of the temperature selector buttons repeatedly until an **h** appears in the display.
- Press the Super freeze button again.
h lights up in the temperature display.
- You can now adjust the level of brightness by pressing the temperature selector buttons. You can choose from settings **1** to **5**:
1: lowest setting,
5: brightest setting.
- Press the Super freeze button to save the setting.
- Press the On/Off button to come out of the setting mode.

The electronics will then switch over to normal operation after a couple of minutes.

Alarm

Your appliance has been fitted with a warning system which ensures that the temperature in the freezer cannot rise unnoticed and to avoid energy being wasted if the door is left open.

Temperature alarm

An alarm will sound and the temperature display will flash if the temperature in the freezer gets too warm. The temperature the appliance is set at determines the temperature the appliance recognises as being too warm.

The alarm will sound and the temperature display will flash,

- if the freezer door has been left open for a while, e.g. in order to load, re-arrange or take food out.
- when freezing large amounts of food at once.
- if there has been a lengthy interruption to the power supply.

Door alarm

If the door has been left open for more than approx. 60 seconds the alarm will sound.

Switching on the alarm system

The alarm system is always active. It does not have to be switched on manually.

Switching the alarm off early

Once the set temperature has been reached in the freezer, the alarm switches off and the temperature display stops flashing and lights up constantly. However, if the noise disturbs you, you can turn the alarm off before this if you wish.



- Press the alarm off button.

The alarm will stop. The temperature display will continue to flash until the set temperature has been reached. The display then stops flashing and lights up constantly. The alarm system is now ready should it be needed again.

Freezing fresh food

Fresh food should be frozen as quickly as possible. This way the nutritional value of the food, its vitamin content, appearance and taste are not impaired.

Food which takes a long time to freeze will lose more water from its cells which then shrink.

During the defrosting process only some of this water is reabsorbed by the cells. The rest collects around the food.

In practice this means that the food loses a large degree of its moisture.

If food is frozen quickly the cells have less time to lose moisture so they shrink less. As there is not so much moisture, it is easier for the food to reabsorb it during the defrosting process. There will be very little water around the defrosted food.

Super freeze

Switch the Super freeze function on before putting fresh food into the freezer.

Exceptions:

- when putting in frozen food.
- when freezing up to 2 kg fresh food daily.

Switching on Super freeze

When freezing small quantities of food in the freezer, the Super freeze function should be switched on **6 hours beforehand**. When freezing **the maximum load of food** the Super freeze function should be switched on **24 hours beforehand**.



- Press the Super freeze button. The Super freeze indicator light will come on.

The appliance works at full power to lower the temperature in the appliance.

Switching off Super freeze

Depending on the amount of food placed in the freezer section, the Super freeze function will switch off automatically after approx. 30 to 60 hours. The Super freeze indicator light will go out and the appliance will continue running at normal power.

Freezing and storing food

Maximum freezing capacity

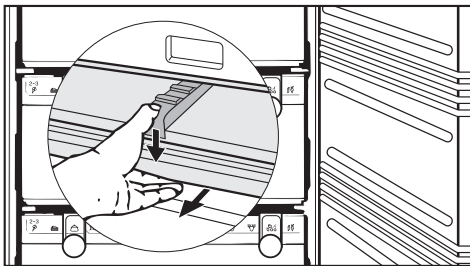
To ensure that fresh food placed in the freezer freezes through to the core as quickly as possible, the maximum freezing capacity must not be exceeded. The maximum freezing capacity for freezing within a 24-hour period is given on the data plate "Freezing capacitykg/24 hrs".

Isolation plate

(depending on model, available as an accessory)

The isolation plate is used to isolate freezer drawers which you do not wish to use, and thus save energy. It should be used if only small amounts of food are being stored in the freezer.

To take out the isolation plate



- Press the securing clip in the middle of the isolation plate and pull the isolation plate forwards and out of the appliance.

Important

- At least 2 freezer drawers must be used for freezing food. The other drawers can be isolated if they are not needed.
- The drawers being used for freezing must always be at the top of the freezer.
- The isolation plate must be fitted **below** the lowest drawer in which food is being frozen.
- The fewer drawers you use, the more energy you will save. Using the isolation plate increases energy savings considerably.

Do not store food in the "inactive" drawers. The temperature is not controlled in these drawers and food stored in them would soon deteriorate.

Example

If you only require 2 freezer drawers for storing frozen food:

- Place food in the top 2 freezer drawers. Leave the other drawers empty.
- Take out the third drawer down and push the isolation plate in **under** the second drawer.

This "isolates" the drawers below.

Storing frozen food

When buying frozen food to store in your freezer, check

- that the packaging is not damaged,
- the use by date,
- the temperature at which the frozen food is being stored in the shop. The length of time it can be kept is reduced if it has been stored at a temperature warmer than $-18\text{ }^{\circ}\text{C}$.
- Buy frozen food once you have finished the rest of your shopping, and wrap it in newspaper or use a cool bag or box to transport it.
- Store it in the freezer as soon as possible.

Never re-freeze partially or fully defrosted food. Consume defrosted food as soon as possible as it will lose its nutritional value and spoil if left for too long. Defrosted food may only be re-frozen after it has been cooked.

Home freezing

Only freeze fresh food which is in a good condition.

Hints on home freezing

- The following types of food **are suitable** for freezing:
Fresh meat, poultry, game, fish, vegetables, herbs, fresh fruit, dairy products, pastry, leftovers, egg yolks, egg whites and a range of pre-cooked meals.
- The following types of food **are not suitable** for freezing:
Grapes, lettuce, radishes, sour cream, mayonnaise, eggs in their shells, onions, whole raw apples and pears.
- To retain colour, taste and vitamin C, vegetables should be blanched after they have been trimmed and washed. To blanch: bring a large saucepan of water to the boil, immerse the vegetables in the fast boiling water for 2-3 minutes, depending on variety. Remove, and plunge into cold water to cool quickly. Drain and pack ready for freezing.
- Lean meat freezes better than fatty meat, and can be stored for considerably longer.
- To prevent chops, steaks, cutlets or rolled meat from freezing together in solid blocks when packed, separate with a sheet of plastic freezer film.

Freezing and storing food

- Do not season fresh foods or blanched vegetables before freezing. Only season cooked food lightly before freezing but care should be taken as the taste of some spices alters when frozen.
- Do not place hot foods or drinks in the freezer. This causes already frozen food to thaw, and increases the energy consumption considerably. Allow hot foods and drinks to cool down before placing them in the freezer.

Packing

- Freeze food in portions.

Unsuitable packing material

- wrapping paper
- grease-proof paper
- cellophane
- bin bags
- plastic carrier bags

Suitable packing material

- plastic freezer film
 - freezer bags
 - aluminium foil
 - freezer containers
- Expel as much air as possible from bags etc. before sealing them, to prevent freezer burn on food.
 - Close the packaging tightly with
 - rubber bands
 - plastic clips
 - string or bag ties
 - freezer tape.

Freezer bags may also be sealed using home heat sealing kits.

- Make a note of the contents and the date of freezing on the packaging.

Before placing food in the freezer

- When freezing more than 2 kg of fresh food, switch on the Super freeze function for some time before placing the food in the freezer (see "Super freeze").

Placing food in the freezer

Food to be frozen can be placed anywhere in the freezer. Large quantities can be placed directly on to the evaporator plates to freeze the food quickly. To do this first take out one or several freezer drawers.

Each drawer and evaporator plate can be loaded with a maximum of 25 kg.

If you remove a freezer drawer make sure that you do not block the ventilation slits in the back wall of the appliance. They are important for trouble-free operation of the appliance.

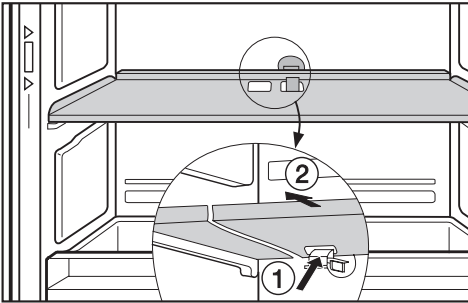
- Place the food flat in the bottom of the drawers or on the evaporator plates so that it freezes through to the core as quickly as possible.
- Make sure that the packaging and containers are dry to prevent them sticking together when frozen.

Freezing and storing food

When freezing, make sure that food already frozen does not come into contact with fresh food being frozen as this could cause the frozen food to begin to defrost.

When freezing **large items**, e.g. a turkey or large joint of meat, the shelf between the 3rd and 4th drawers can be removed:

- Remove the third drawer from the top.



- Press down on the hook ① underneath the rear of the evaporator plate and pull the plate forwards and out ②.

To put the evaporator plate back in, push it back into place making sure it audibly clicks into position.

Freezer calendar

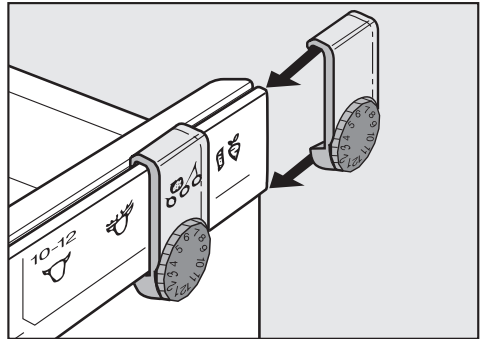
The freezer calendar on the freezer drawer gives the length of time which various foods can be stored for effectively.

Where the storage time given on the packaging differs, follow the advice on the packaging.

Marker system for frozen food

Markers serve as a reminder of how long food has been stored.

Each freezer drawer has two slide markers with dials. The months are represented on the dials as 1 – 12.



- Slide the markers onto the guide runners on the edge of the drawers.

Use the markers to indicate the type of food being frozen, and turn the dials to the appropriate number to indicate the month the food was first placed in the freezer.

Defrosting

Frozen food can be defrosted in different ways:

- in a microwave oven,
- in an oven using the "Fan" or "Defrost" setting,
- at room temperature,
- in a refrigerator,
- in a steam oven.

Freezing and storing food

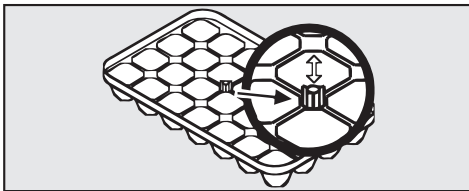
Poultry It is particularly important to observe food hygiene rules when defrosting poultry. Do not use the liquid from defrosted poultry. Pour it away and wash the container it was in, the sink and your hands. Danger of salmonella poisoning!

Fruit should be defrosted at room temperature in its packing, or in a covered bowl.

Most vegetables can be cooked while still frozen. Just put straight into boiling water or hot fat. The cooking time is slightly less than that of fresh vegetables.

Never re-freeze partially or fully defrosted food. Consume defrosted food as soon as possible as it will lose its nutritional value and spoil if left for too long. Defrosted food may only be re-frozen after it has been cooked.

Ice cubes



- Press down the release button on the ice cube tray and fill the tray with water. Any excess will flow out through the outlet.
- Now pull the release button up to seal the ice cube tray. Place the tray on the bottom of one of the freezer drawers.

- Once frozen, use a blunt instrument, for example a spoon handle, to remove the ice tray from the freezer.
- Ice cubes can be removed easily from the tray by twisting the tray gently or by holding it under cold running water for a short while.

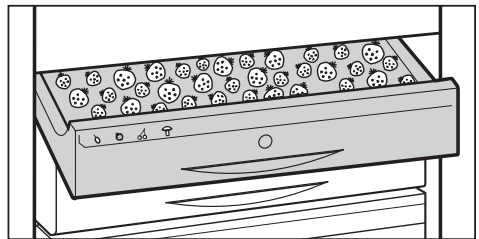
Cooling drinks

When cooling drinks quickly, make sure bottles are **not left in the freezer for more than one hour**, as they could burst.

Freezer tray

(depending on model)

The freezer tray is useful for freezing small items such as berries and vegetables. They can be frozen individually and therefore maintain their shape when defrosted.



- Space the food out loosely on the tray.

Leave food for 10 - 12 hours to freeze thoroughly on the tray. Transfer it to a freezer bag or suitable container once frozen. Place the bag or container in the freezer drawer.

Cool pack

The cool pack prevents the temperature in the freezer rising too quickly in the event of a power cut.

Place the cool pack in the upper drawer directly on top of food or to save space on the freezer tray. The cool pack will be at its most effective after it has been in the freezer for approx. 24 hours.

If there is a power cut, place the cool pack directly on top of the frozen food in the upper drawer so that the food will be kept cold for as long as possible.

When placing fresh food in the freezer, use the cool pack to separate the fresh food from the food which is already frozen so that the frozen food does not begin to thaw.

The cool pack can also be used in a cool bag to keep food or drinks cool for a short period of time.

Defrosting

This freezer is equipped with a Frost free system. The freezer defrosts automatically.

The moisture generated by defrosting collects in the condensor and is automatically dissipated by the condensor from time to time.

This automatic defrosting system enables the freezer to remain permanently ice-free, however, the food stored in the freezer will not defrost.

Never use cleaning agents containing abrasive substances such as sand, soda, acids or chemical solvents.

"Non-abrasive" cleaning agents are also unsuitable as they can cause matt areas to appear.

Make sure that water cannot get into the electronic unit or into the ventilation gaps.

Do not use steam cleaning apparatus to clean the appliance. Pressurised steam could reach the electrical components and cause a short circuit.

The data plate located inside the appliance must not be removed. It contains information which is required in the event of a service call.

- Switch the appliance off, switch off at the wall socket and remove the plug. Take any food out of the appliance and store it in a suitable cool place (e.g. cool-box or another freezer). Remove all the freezer drawers from the appliance.

Cleaning the outer casing, the interior and accessories

Use warm water with a little washing up liquid. Wash all accessories by hand only. Do not wash in a dishwasher.

- After cleaning, wipe the outer casing, the interior and accessories with a damp cloth and dry with a soft cloth. Leave the door open to air the appliance for a short while.

E-cloth

A microfibre "E-Cloth" is available from the Miele UK Spare Parts Department, which is suitable for cleaning surfaces such as stainless steel, glass, plastic and chrome without the use of chemicals.

Door handle

Aluminium is affected by the way that light falls on it, by the surrounding environment and by the angle you observe it from.

The aluminium coloured handle may suffer discolouration or damage if soiling is left on it for too long. Remove any soiling straight away.

Warning: The handle is susceptible to scratches and abrasion.

In addition to the cleaning agents mentioned previously, you should also avoid

- stainless steel cleaners,
- cleaning agents containing descaling agents,
- cleaning agents containing chloride,
- abrasive cleaning agents, e.g. powder cleaners and cream cleaners.
- abrasive sponges, e.g. pot scourers or sponges which have been previously used with abrasive cleaning agents.
- dishwasher detergent.

Cleaning and care

Ventilation gaps

- The ventilation gaps should be cleaned regularly with a brush or vacuum cleaner. A build-up of dust will increase the energy consumption of the appliance.

Door seal

Do not use any oils or grease on the door seal as these will cause the seal to deteriorate and become porous over time.

The door seal should be cleaned regularly with clean water and then wiped dry with a soft cloth.

Metal grille at the back of the appliance

The metal grille at the back of the appliance (heat exchanger) should be dusted at least once a year. A build-up of dust will increase the energy consumption of the appliance.

When cleaning the grille, make sure that the pipework and other components do not get broken or damaged in any way.

After cleaning

- Close the appliance door, insert the plug in the socket and switch the appliance back on.
- Switch on the Super freeze function so that the freezer can cool down quickly.
The indicator light will come on.
- Once the temperature in the freezer has reached the required temperature, place the food back in the freezer drawers and put them back in the freezer.
- Switch off Super freeze by pressing the super freeze button when the temperature in the freezer is a constant -18°C or colder.
The indicator light will go out.

Repairs to electrical appliances should only be carried out by a suitably qualified and competent person in accordance with local and national safety regulations. Repairs and other work by unqualified persons could be dangerous. The manufacturer cannot be held liable for unauthorised work.

Some minor problems can be corrected without contacting the Service Department.

What to do if . . .

. . . the appliance does not get cool.

- Check whether the appliance has been switched on. The temperature display must be lit up.
- Check that the plug is correctly inserted in the socket and switched on.
- Check that the fuse is not defective and that the mains fuse has not blown. If it has, contact the Miele Service Department.

. . . the door will not open because it has been opened and closed too many times in succession.

This is not a fault. The suction caused by opening and closing the door is preventing the door from opening. Wait a few minutes and then try again. It should now open without force.

. . . the temperature is too low.

- Select a warmer temperature.
- The Super freeze function is still switched on. The Super freeze function switches itself off automatically after approx. 30 - 60 hours. The indicator light is still on.

. . . the appliance is switching in too frequently and for too long.

- Check whether the ventilation gaps have been covered over or become too dusty.
- Check whether, the metal grille (heat exchanger) at the back of the appliance has become too dusty.
- The door has been opened too frequently, or a large amount of fresh food has been put in at once for freezing.
- Check that the door has been closed properly.

. . . food has frozen together.

Use a blunt instrument, e.g. a spoon handle or plastic scraper, to prise it apart carefully.

. . . the alarm sounds and the temperature display flashes.

- Has the appliance door been open for longer than 60 seconds?

The freezer temperature has risen above the temperature set because

- the door has been opened too frequently, or large amounts of fresh food have been put in at once for freezing.

Problem solving guide

- the ventilation gaps are blocked.
- there has been a lengthy interruption to the power supply.

Once the problem has been resolved the temperature display will light up constantly and the alarm will stop.

... a bar is lit up or flashing in the temperature display.

Check the temperature display about 6 hours after switching on the appliance. The display will not show a temperature until the temperature in the appliance has reached a certain level.

... the following messages show in the temperature display "F1" to "F5".

There is a fault. Call the Service Department.

... "nA" appears in the temperature display.

The temperature has risen too high at some point during the last couple of days because of a power cut.

- Press the alarm button whilst "nA" is lit up in the display.

The temperature display will show the warmest temperature recorded in the appliance during the power cut.

Depending on the temperature displayed, you should check the condition of food in the freezer. If it has defrosted or started to defrost check that it is still safe to use and if so use it as soon as possible. Defrosted food may only be re-frozen after it has been cooked.

The warmest temperature will show in the display for about 1 minute. The actual current temperature in the freezer will then show in the display again.

... the Super freeze indicator light does not light up although the appliance is working.

The indicator light is defective. Call the Service Department.

... you cannot switch the appliance off.

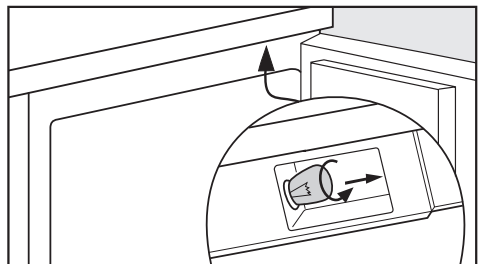
The safety lock has been activated.

... the interior light is not working.

- Was the door left open for too long? The lighting switches itself off automatically after approx. 15 minutes.

If this is not the case, then the lamp is defective:

- Disconnect the appliance from the mains. Switch off at the wall and withdraw the plug from the socket, or disconnect the mains fuse or remove the screw-out fuse in countries where this is applicable.



- Unscrew the lamp and replace it with a new one.

Lamp specification:
220 - 240 V, max. 25 W, E 14 fitting.

- Screw the new lamp into the connection.

If you still cannot remedy the fault having followed these suggestions, please contact the Miele Service Department.

To prevent unnecessary loss of temperature it is advisable not to open the door while waiting for the appliance to be serviced.

Noises

| Normal noises | What causes them |
|-------------------------|---|
| Brrrrr... | Humming noise made by the motor (compressor). This noise can get louder for brief periods when the motor is switching on. |
| Blubb, blubb.... | A gurgling noise can be heard when coolant is circulating through the pipes. |
| Click.... | Clicking sounds are made when the thermostat switches the motor on and off. |
| Sssrrrrr.... | On multi-zone and frost free appliances you can sometimes just hear the movement of air circulating inside the appliance. |

Remember that the noise of the compressor and the coolant circulating in the system is unavoidable.

| Noises that you can easily rectify | What causes them, and what can you do about them? |
|---|---|
| Rattling, vibrating | The appliance is uneven: Realign the appliance using a spirit level, by raising or lowering the screw feet underneath the appliance. |
| | The appliance is touching another appliance or piece of furniture: Move it away. |
| | Drawers, baskets or shelves are unstable or sticking: Check all removable items and refit them correctly. |
| | Are any bottles or containers unstable or knocking against each other? Separate them. |
| | The transport cable clips are hanging loose at the back of the appliance: Remove the clips. |

In the event of a fault which you cannot correct yourself, or if the appliance is under guarantee, please contact:

– Your Miele Dealer

or

– The Miele Service Department (see back cover for address).

When contacting your Dealer or the Service Department, please quote the model and serial number of your appliance. This information is given on the data plate.

Please note that telephone calls may be monitored and recorded to improve our service.

Electrical connection

Electrical connection U.K.

All electrical work should be carried out by a suitably qualified and competent person in accordance with local and national safety regulations.

The appliance is supplied with a mains cable and moulded plug ready for connection to an a.c. single phase 220-240 V 50 Hz supply.

The voltage and connected load are given on the data plate. Please ensure that these match the household mains supply. The fuse rating is quoted on the plug.

Connection should be made via a suitable switched socket which is easily accessible. For extra safety it is advisable to install a residual current device (RCD) with a trip current of 30 mA (in accordance with DIN VDE 0664, VDE 0100, Section 739).

Do not connect the appliance to the mains electricity supply by an extension lead. Extension leads do not guarantee the required safety of the appliance (e.g. danger of overheating).

The appliance must not be connected to an inverter and must not be used with a plug adapter as these can cause damage to the appliance's electronic unit.

Non-rewireable plugs (BS 1363)

The fuse cover must be re-fitted when changing the fuse, and if the fuse cover is lost, the plug must not be used until a suitable replacement is obtained. The colour of the correct replacement cover is that of the coloured insert in the base of the plug, or the colour that is embossed in words in the base of the plug (as applicable to the design of the plug fitted).

Replacement fuses should be ASTA approved to BS 1362 and have the correct rating. Replacement fuses and fuse covers may be purchased from your local electrical supplier.

WARNING
THIS APPLIANCE MUST BE
EARTHED

Do not place any appliance which gives off heat, such as a toaster or microwave oven, on top of this appliance, as this would increase the appliance's energy consumption.

Location

This appliance should be installed in a dry, well ventilated room.

The room temperature should not go above or below the climate range for which the appliance is designed. The higher the ambient temperature of the room the more energy the appliance requires to operate.

It should not be installed where it is exposed to direct sunlight or directly adjacent to a heat-producing appliance such as an oven or a radiator.

Climate range

The appliance is designed for use within certain climate ranges (ambient temperatures), and should not be used outside this range. The climate range of this appliance is stated on the data plate inside the appliance.

| Climate range | Ambient room temperature |
|---------------|--------------------------|
| SN | +10 °C to +32 °C |
| N | +16 °C to +32 °C |
| ST | +18 °C to +38 °C |
| T | +18 °C to +43 °C |
| SN-ST | +10 °C to +38 °C |
| SN-T | +10 °C to +43 °C |

The appliance will function perfectly down to an ambient temperature of +5 °C.

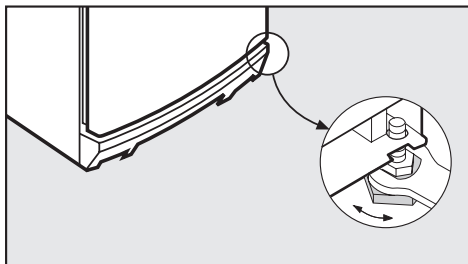
Ventilation

Air at the back of the appliance gets warm. To ensure sufficient ventilation, the ventilation gaps must not be covered over. The air inlet and outlet must not be covered or blocked in any way. They should be dusted on a regular basis.

Installation

- Remove any cable clips from the back of the appliance.
- Check that all parts at the back of the appliance are unhindered. Remove any hindrance.
- Carefully push the appliance into position. The appliance can be placed directly against a wall.

Aligning the appliance



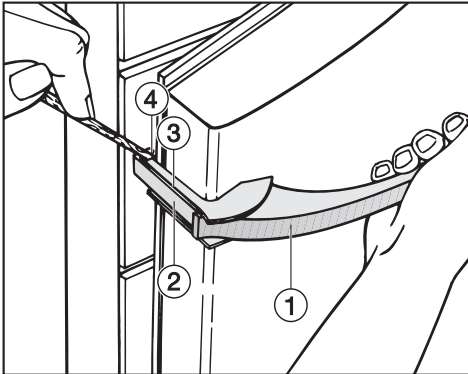
- To align the appliance adjust the feet using the spanner supplied.

Changing the door hinging

The appliance is supplied right-hand hinged. If left-hand door hinging is required, follow the instructions below.

Removing the door handle:

First the side section of the handle must be removed:



- Pull door handle ① towards you. Side section ② slides back, creating a gap ④ between side section ② and mounting plate ③.
- Place a suitable object (e.g. a spoon handle) in gap ④, and slowly lever the handle towards the door.

Be careful not to let the "spoon handle" slip, causing damage to the appliance.

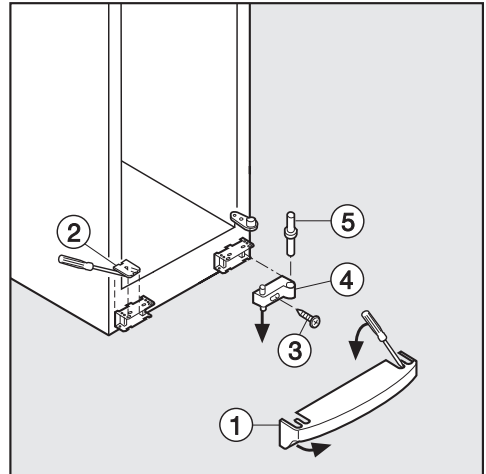
The side section ② can now be removed.

- Pull side section ② out of the guides on the mounting plate.
- Loosen the 4 screws (Torx 15) in the mounting plate, and remove the handle.

- Remove the cover caps from the opposite side, and fit them into the empty holes.

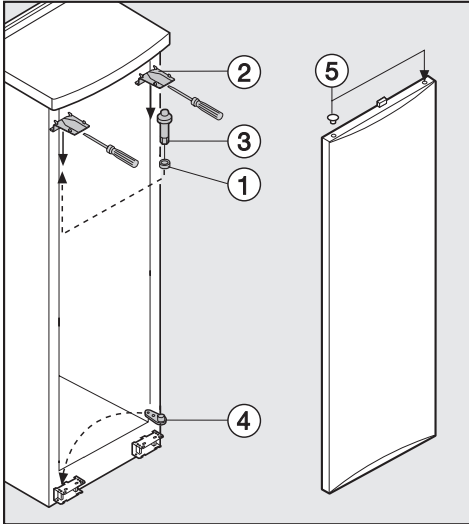
Changing over the door:

- Open the appliance door.

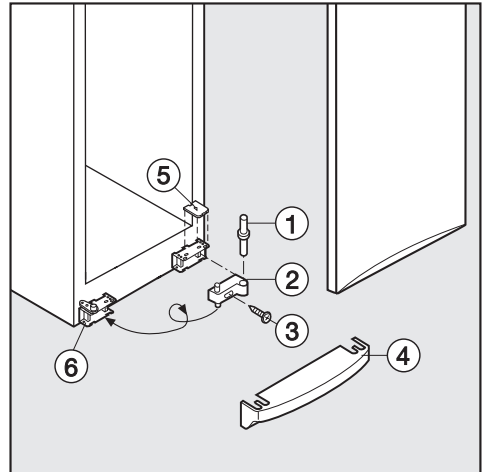


- Use a screwdriver to lever plinth ① out, then pull it forwards and out.
- Use a screwdriver to remove cover ②, then close the door.
- Remove screw ③ completely.
- Pull door support ④ together with hinge pin ⑤ downwards, then tilt it forwards and take it off.

Changing the door hinging



In the following illustration the door is not shown in the closed position to make it easier to see what happens next.



- Open the door, tilt it downwards and take it off. Take care not to lose washer ①.
- Using a screwdriver remove covers ②.
- Unscrew upper hinge pin ③ using the spanner supplied, and refit on the opposite side.
- Put covers ② back on again from behind and then push them firmly into place from the front.
- Remove spacer ④ with a screwdriver and refit it on the opposite side.
- Remove plug ⑤ from the door bearing bush in the door and refit on the opposite side.
- Hang the door in hinge pin ③ (remember to use washer ①), then close the door.
- Turn door support ② around, pull hinge pin ① out, and refit on the opposite side.
- Fit both parts into hinge plate ⑥. To do this push hinge pin ① through hinge plate ⑥ into door support ②. Swing the door support in, push upwards and re-assemble with screw ③.
- Align the door with the appliance housing using the long slot in hinge plate ⑥. Then tighten screw ③.
- Refit plinth fascia ④, pushing it firmly into position.

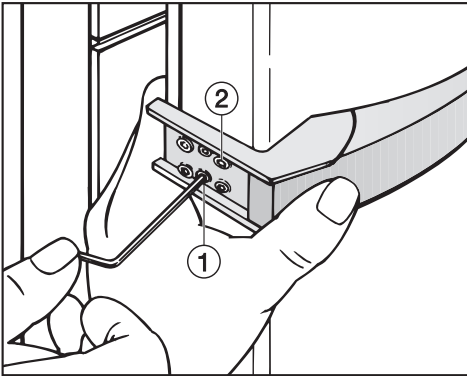
Changing the door hinging

- With the door open, position cover ⑤ in the front of the plinth fascia, and push it firmly into position.

Refitting the handle:

- Loosely screw the handle to the opposite side of the door.

The mounting plate must fit snugly to the door housing. If it doesn't:



- Tighten the two screws ① with the allen key provided as far as they will go.
- Tighten screws ②.
- Slide the side section of the handle into the guides on the mounting plate until it clicks into place.

**United Kingdom:**

Miele Co. Ltd.
Fairacres, Marcham Road
Abingdon, Oxon, OX14 1TW
tel. Abingdon (01235) 554455
Service Office: (01235) 554466
fax (01235) 554477
Internet: www.miele.co.uk

Ireland:

Miele Ireland Ltd.
Broomhill Road, Tallaght, Dublin 24
Tel: (01) 46 10 710, Fax: (01) 46 10 797
Email: info@miele.ie
Internet: <http://www.miele.ie>

Australia:

Miele Australia Pty. Ltd.
A.C.N. 005635398
1 Gilbert Park Drive
Knoxfield, VIC 3180
Telephone: (03) 9764 7100
Fax: (03) 9764 7129
Internet: www.miele.com.au

Distributor New Zealand:

Steelfort Engineering Company. Ltd.
500 Rangitikei Street
Palmerston North, Priv. Bag 11045, NZ
Telephone: (06) 350 1350
Fax: (06) 356 1507

South Africa:

Miele (Pty) Ltd
63 Peter Place
Bryanston 2194
P.O. Box 69434
Bryanston 2021
Tel.: (011) 548 1900
Telefax (011) 548 1935
Internet: www.miele.co.za
E-mail: info@miele.co.za

Singapore:

Miele Southeast Asia
Miele Pte. Ltd.
163 Penang Road
04 - 02/03 Winsland House II
Singapore 238463
Tel : +65-67351191
Fax: +65-67351161
Email: infosea@miele.com.sg

Hong Kong:

Miele (Hong Kong) Limited
AIA Plaza, 24th Floor
18 Hysan Avenue
Causeway Bay
Hong Kong
Tel.: (852) 2610 1331
Fax: (852) 2610 1013
E-mail: mielehk@miele.com.hk

Free Manuals Download Website

<http://myh66.com>

<http://usermanuals.us>

<http://www.somanuals.com>

<http://www.4manuals.cc>

<http://www.manual-lib.com>

<http://www.404manual.com>

<http://www.luxmanual.com>

<http://aubethermostatmanual.com>

Golf course search by state

<http://golfingnear.com>

Email search by domain

<http://emailbydomain.com>

Auto manuals search

<http://auto.somanuals.com>

TV manuals search

<http://tv.somanuals.com>