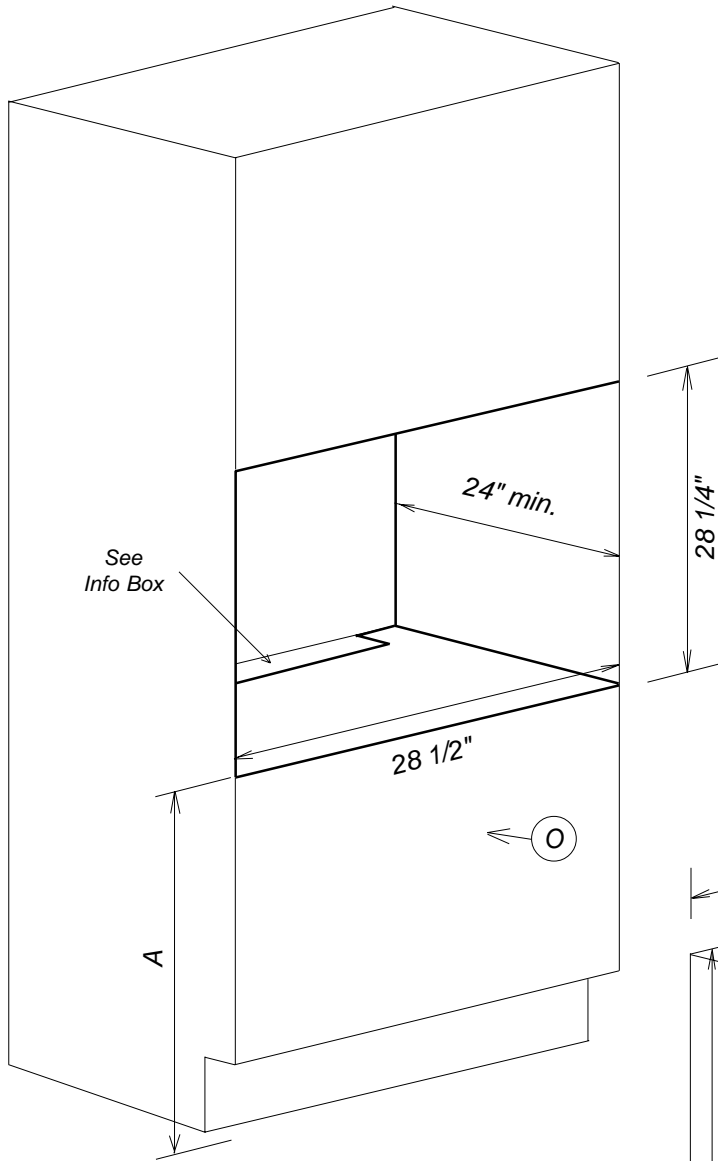


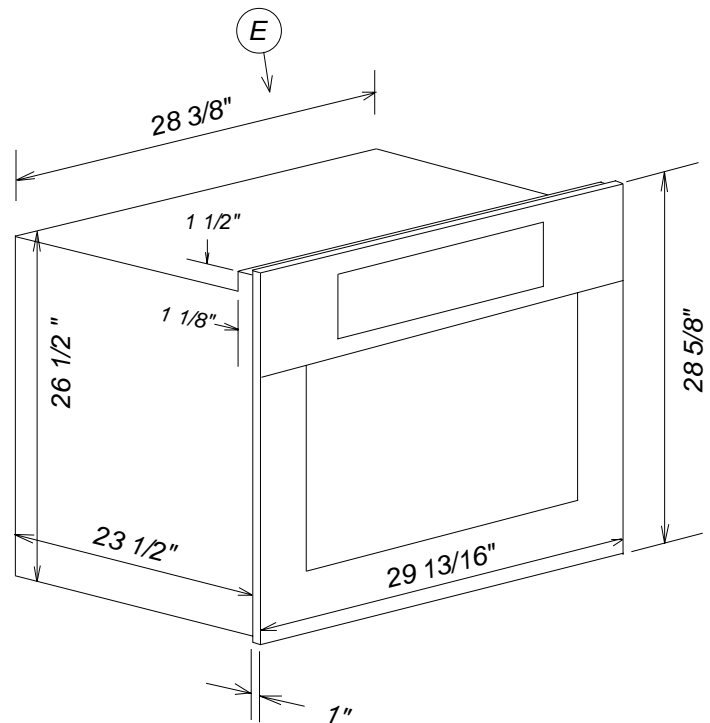
# Product and Cut-out Dimensions

## 30" Single Oven

### H4882BP



**IMPORTANT INFORMATION**  
 For proper heat ventilation  
 a 12" x 2" opening (24 sq inch)  
 must be placed to the rear  
 of the platform under the oven



Location Codes
E - 5 foot electrical main with pigtail connects upper rear right side
O - 208 - 240 Volt - 30 Amp connection box with 4 wires (2 lives / N / ground) Location must be accessible
A - Height to base of oven Locate 30" - 33" from floor Based on user height of 5'6" to 5'10"
Notes
• All installations must be done in accordance with local codes.

NOTE: Drawing is not to scale.  
 SPECIFICATION SHEETS 011008

## Free Manuals Download Website

<http://myh66.com>

<http://usermanuals.us>

<http://www.somanuals.com>

<http://www.4manuals.cc>

<http://www.manual-lib.com>

<http://www.404manual.com>

<http://www.luxmanual.com>

<http://aubethermostatmanual.com>

Golf course search by state

<http://golfingnear.com>

Email search by domain

<http://emailbydomain.com>

Auto manuals search

<http://auto.somanuals.com>

TV manuals search

<http://tv.somanuals.com>