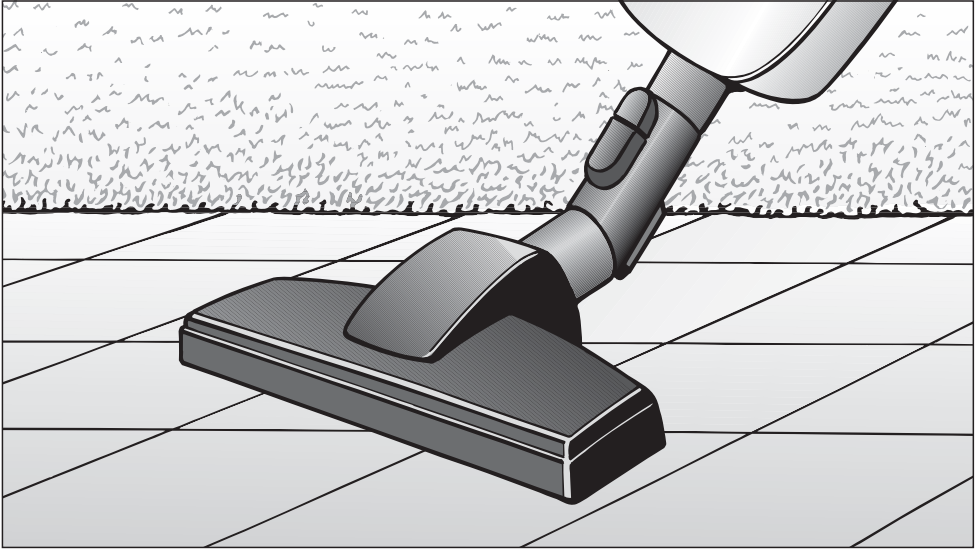


# Miele

## Operating Instructions



## Vacuum cleaner Series S 190

**ONLY MIELE DUSTBAGS, FILTERS AND ACCESSORIES  
WITH THE "ORIGINAL MIELE" LOGO CAN BE USED  
WITH THIS VACUUM CLEANER.  
USE OF NON-MIELE COMPONENTS MAY VOID THE WARRANTY.**

To prevent accidents  
and appliance damage,  
read these instructions  
**before**  
installation or use.


**HS07**

en - US

M.-Nr. 09 226 640

**Only Miele dustbags, filters and accessories with the "Original Miele" logo can be used with this vacuum.** Only then can the suction power of the vacuum cleaner reach its optimum potential creating the best possible cleaning results.

**USE OF NON-MIELE COMPONENTS MAY VOID THE WARRANTY.**

 The use of dustbags made of paper or a similar material, or dustbags with a cardboard retaining plate can lead to serious damage to the vacuum cleaner and may void the warranty, just as with the use of dustbags without the "Original Miele" logo.

**The "Original Miele" Logo will appear on the packaging or directly on the dustbag.**



**Purchasing new dustbags and filters**

Original Miele dustbags and filters can be purchased from an authorized Miele vacuum dealer or by visiting the Miele store at [www.mieleusa.com](http://www.mieleusa.com).

<b>IMPORTANT SAFETY INSTRUCTIONS</b> . . . . .	4
<b>Guide to the vacuum cleaner</b> . . . . .	8
<b>Assembling the vacuum cleaner</b> . . . . .	10
Connecting the suction wand . . . . .	10
Connecting the handle and suction wand . . . . .	10
Connecting the standard floor brush . . . . .	11
Winding up the power cord . . . . .	11
<b>Using the included accessories</b> . . . . .	12
Accessory clip . . . . .	12
<b>Use</b> . . . . .	13
Unwinding the power cord . . . . .	13
Adjusting the telescopic wand . . . . .	13
Plugging the vacuum cleaner in . . . . .	13
Turning the vacuum cleaner on and off . . . . .	14
Adjusting the suction . . . . .	14
Adjusting the rug and floor tool to the floor type . . . . .	15
<b>Parking and storing the vacuum cleaner</b> . . . . .	16
<b>Maintenance</b> . . . . .	17
Purchasing filter bags and filters . . . . .	18
Which filter bags and filters are the right ones? . . . . .	18
When to change the filter bag . . . . .	19
How to change the dust bag . . . . .	20
When to change the dust compartment filter (motor protection) . . . . .	21
Replacing the dust compartment filter . . . . .	21
When to change the exhaust filter . . . . .	21
Replacing the "Air Clean" filter . . . . .	22
Replacing the "Active Air Clean" filter or the "HEPA" filter . . . . .	23
When to change the thread catcher . . . . .	24
Changing the thread catcher . . . . .	24
<b>Exchanging exhaust filters</b> . . . . .	25
<b>Cleaning and care</b> . . . . .	26
<b>Frequently asked questions</b> . . . . .	27
<b>Optional accessories</b> . . . . .	28
<b>Technical Service</b> . . . . .	30
<b>Caring for the environment</b> . . . . .	31

# IMPORTANT SAFETY INSTRUCTIONS

---

When using an electrical appliance, basic precautions should always be followed, including the following:

## READ ALL INSTRUCTIONS BEFORE USING THIS APPLIANCE

### **WARNING-**

**To reduce the risk of fire, electric shock or injury:**

#### **Correct Usage**

▶ This vacuum cleaner is intended for household use and in similar residential locations, such as:

- stores, offices and other similar work environments
- in agricultural properties
- by customers in vacation rental properties and other typical residential environments.

▶ This vacuum cleaner is not intended for outdoor use.

▶ Use the vacuum cleaner only in normal household situations for vacuuming dry material. Do not use on people or animals. Any other use, modification or alteration of the vacuum cleaner is not allowed. Miele cannot be held liable for damage resulting from incorrect or improper use.

▶ Persons who lack physical, sensory, or mental capabilities or experience with the machine should not use it without supervision or instruction by a responsible person.

#### **Children**

▶ Close supervision is necessary when the vacuum cleaner is used near children. Never let children play with the vacuum cleaner.

▶ Children may use the vacuum cleaner without supervision only if they have been shown how to operate it and can use the vacuum cleaner safely. Children must be able to recognize the potential dangers of improper use.

# IMPORTANT SAFETY INSTRUCTIONS

## Technical safety

- ▶ Check the voltage rating of the vacuum cleaner before connecting the power cord to an electrical outlet. Your power source should correspond with the voltage rating plate located on the underside of the vacuum. Use only household AC outlets. Never use DC power sources. If you are not sure of your home's voltage supply, consult a qualified electrician. Connecting the vacuum cleaner to a higher voltage may result in damage to the vacuum cleaner or injury.
- ▶ To reduce the risk of electric shock, this appliance has a polarized plug (one blade is wider than the other.) This plug will fit in a polarized outlet only one way. If the plug does not fit fully in the outlet, reverse the plug. If it still does not fit, contact a qualified electrician to install the proper outlet. Do not alter the plug in any way.
- ▶ Before using the vacuum cleaner, check for externally visible damage. Do not use a damaged vacuum cleaner.
- ▶ A damaged vacuum cleaner is dangerous to your safety.
- ▶ Do not use the vacuum cleaner if the power cable is damaged. A damaged power cable is dangerous to your safety.
- ▶ The electrical outlet must be fitted with a 15 A fuse.
- ▶ Always turn the vacuum cleaner off when you have finished using it, as well as before any maintenance work and cleaning. Unplug the vacuum cleaner from the electrical outlet.
- ▶ Do not pull or carry by the cord, use the cord as a handle to carry the vacuum cleaner and do not pull the plug out by pulling on the cord. Do not pull the cord around sharp edges or corners, for example under doors. The power cable, plug and outlet can be damaged and endanger your safety. You may not use the vacuum cleaner then under any circumstances.
- ▶ Replace a damaged power cord only with a genuine Miele cord. For safety reasons, the exchange should be made only by an authorized Miele technician or the Miele Customer Service Department.
- ▶ While the vacuum cleaners under warranty, repairs should only be performed by a Miele authorized service technician.
- ▶ The outlet on the vacuum cleaner (depending on model) must only be used for the Miele Powerbrush specified in these operating instructions.
- ▶ Never submerge the vacuum cleaner in water. Clean with a dry or slightly damp cloth. If moisture gets into the vacuum cleaner there is the risk of electric shock.

# IMPORTANT SAFETY INSTRUCTIONS

---

## Use

- ▶ Do not use on people or animals.
- ▶ Use only as described in this manual. Use only Miele recommended accessories described in this manual.
- ▶ Do not use the vacuum cleaner without a filter bag, dust compartment filter and exhaust filter. Otherwise it may be damaged.
- ▶ If there is no dust bag in place, you cannot close the dust compartment lid. Do not use any force.
- ▶ Do not use outdoors or on wet surfaces. Only **dry** surfaces should be vacuumed.
- ▶ Do not use the vacuum cleaner to pick up liquids or damp dirt. This can lead to significant malfunctions; in addition it could impair the electrical safety of the vacuum cleaner. Wait for freshly shampooed carpets to dry before vacuuming.
- ▶ Do not vacuum toner dust. Toner, such as that used in printers and photocopiers can conduct electricity. In addition, it may not be completely filtered out by the filter system of the vacuum cleaner and can thus be blown back in the air by the fan.
- ▶ Do not vacuum anything that is burning or smoking such as cigarettes, matches or hot ashes. The vacuum cleaner could catch fire.
- ▶ Do not vacuum flammable or combustible liquids, or vacuum in areas where they may be present. The vacuum cleaner could explode.
- ▶ Do not vacuum items which are heavy, hard or have sharp edges. They could cause a blockage and damage the vacuum cleaner.
- ▶ Unwind the cord completely to aid the vacuum in dissipating heat.
- ▶ This vacuum should not be used to entrap or retain any hazardous materials.
- ▶ Do not pull or carry by the cord, use the cord as a handle, close a door on the cord, or pull the cord around sharp edges or corners. Do not run the appliance over the cord. Keep the cord away from heated surfaces.
- ▶ Do not handle the plug or vacuum with wet hands.
- ▶ Keep hair, loose clothing, fingers, and all parts of body away from openings and moving parts.
- ▶ Do not place anything into the openings of the vacuum. Do not use if any openings are blocked; keep them free of dust, lint, hair or anything that may reduce air flow.
- ▶ Use caution when vacuuming on stairs.

# IMPORTANT SAFETY INSTRUCTIONS

## Accessories

- ▶ When vacuuming with a Miele Powerbrush or Turbobrush do not touch the rotating roller brush. There is risk of injury.
- ▶ Filter bags are disposable. Dispose of full filter bags. Do not reuse. Blocked pores reduce the suction of the vacuum cleaner.
- ▶ Only use Miele filter bags, filters and accessories with the "Original Miele" logo. The manufacturer can guarantee safety for these only.
- ▶ Turn off the vacuum cleaner if you change the accessories; that is especially important when connecting a Powerbrush or Turbobrush.
- ▶ Floor attachments, accessories and wands must not be used at head level to avoid injury to eyes and ears.

## Cleaning, maintenance and repairs

- ▶ Monitor the filter bag change indicator and check or change the filter bag when the change indicator shows a full filter bag. Inspect or replace the dust compartment filter and exhaust filter at this time as well. A full bag or blocked filter will reduce the vacuum cleaner's suction power. A temperature limiter automatically turns the vacuum cleaner off if it gets too hot, see "Frequently asked questions".
- ▶ Repairs during the warranty period should only be performed by an authorized service agent in accordance with national and local safety regulations. Unauthorized repairs could cause injury or machine damage and may void the warranty.

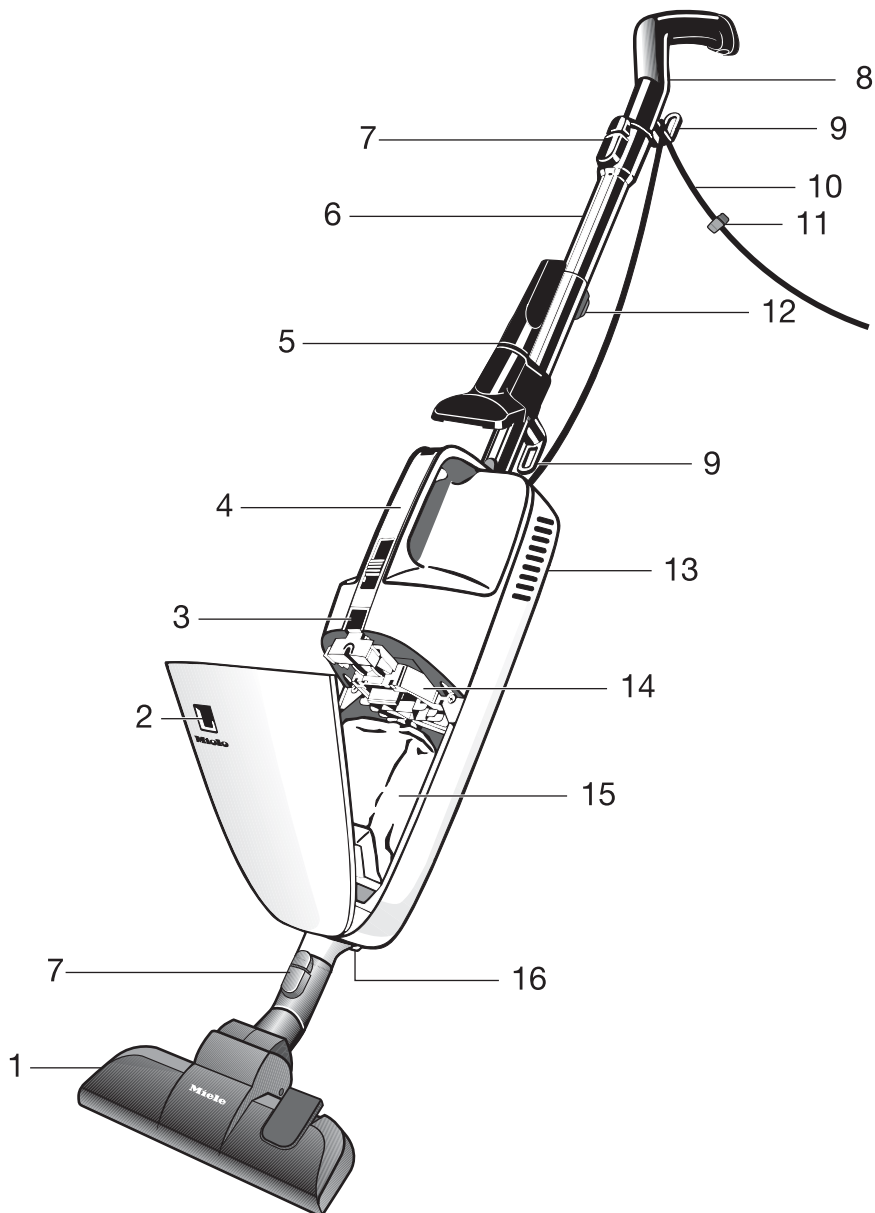
## Disposing of an old appliance

- ▶ Before discarding an old vacuum cleaner, please cut off the power cord, and render the plug useless. Ensure the appliance presents no danger to children while being stored for disposal

# SAVE THESE INSTRUCTIONS

# Guide to the vacuum cleaner

---





# Guide to the vacuum cleaner

---

- ① Rug and floor tool brush \*
- ② Filter bag change indicator
- ③ Dust compartment lid release button
- ④ Carrying handle with On/Off switch \*
- ⑤ Accessory clip \*
- ⑥ Suction wand \*
- ⑦ Locking buttons
- ⑧ Handpiece with anti-slip grip and hook
- ⑨ Power cord hook
- ⑩ Power cord
- ⑪ Cable clip
- ⑫ Telescopic wand adjustment button \*
- ⑬ Exhaust filter compartment (on rear)
- ⑭ Dust compartment filter (motor protection)
- ⑮ Filter bag
- ⑯ Powerbrush outlet \*

\* Features marked with \* do not come standard with all vacuum cleaners and may not be included with your model.

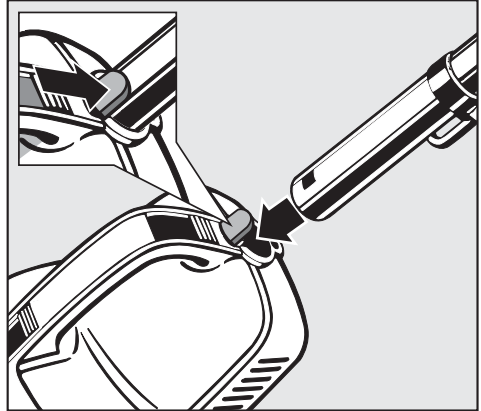
Some models have as standard equipment one of the following accessories that are not shown in this description of the vacuum cleaner. These vacuum cleaners come with a separate operating manual for the corresponding accessory.

- Powerbrush
- Turbobrush

# Assembling the vacuum cleaner

## Connecting the suction wand

- With the square hole facing the carrying handle, insert the wand into the top of the vacuum cleaner body. Gently turn the tube until it locks in place.

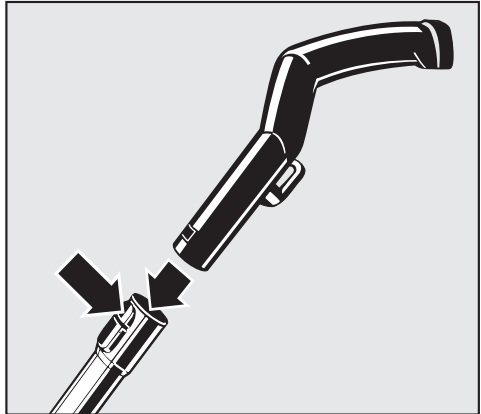


## Removing the suction wand

- Press and hold the release button (see arrow) while gently turning and pulling off the handle.

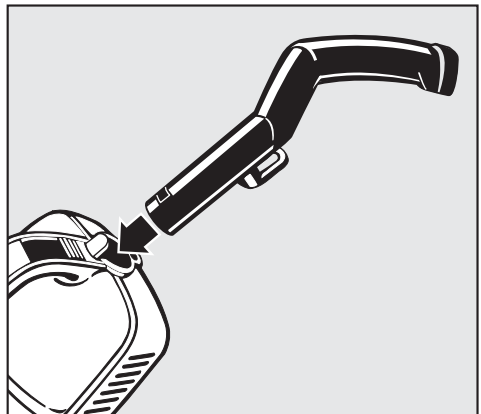
## Connecting the handle and suction wand

- Line up the square hole and the locking button, insert the handle into the suction wand. Gently turn the handle until it locks in place.
- To detach the two parts, press and hold the release button while gently turning and pulling off the handle.



The handle can also be fitted directly to the vacuum cleaner housing.

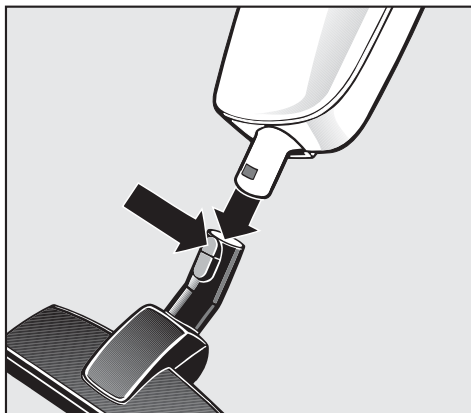
This allows for easier vacuuming of upholstered furniture, mattresses, etc.



# Assembling the vacuum cleaner

## Connecting the standard floor brush

- Insert the lower tube of the vacuum cleaner into the standard floor brush and gently turn until it locks into place.

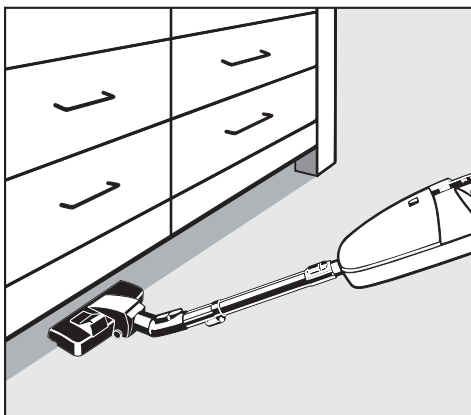


## Removing the standard floor brush

- To remove the floor brush press and hold the release button (see arrow) while gently pulling the standard floor brush off.

You can also attach the suction wand to the nozzle of the vacuum cleaner.

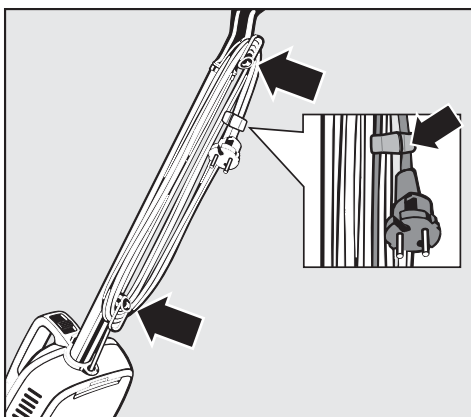
This makes it easier to clean under furniture that is close to the floor.



## Winding up the power cord

When the vacuum cleaner is not in use the power cord can be wound around the two cord hooks.

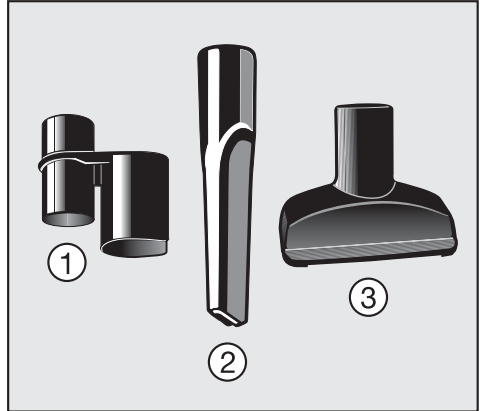
To prevent the cord from unwinding, press the cord into the cable clip (see detail).



## Using the included accessories

The vacuum cleaner includes the following accessories:

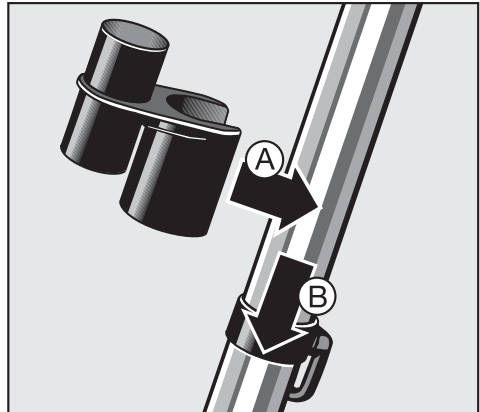
- ① **Accessory clip**  
(depending on model)
- ② **Crevice nozzle**  
For cleaning in folds, crevices and corners.
- ③ **Upholstery nozzle**  
For cleaning upholstered furniture, mattresses, cushions, curtains, etc.



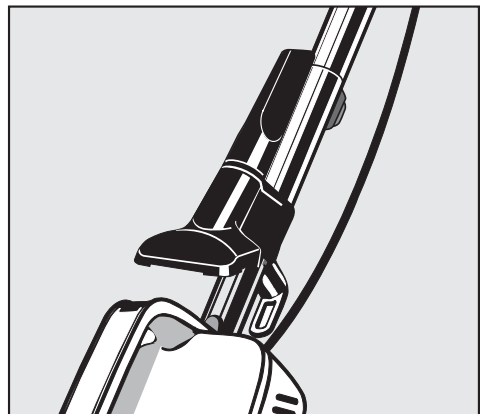
### Accessory clip

(standard on some models)

- If needed attach the accessory clip to the extension / telescopic wand (A).
- Push the accessory clip over the cord hook ring (B).



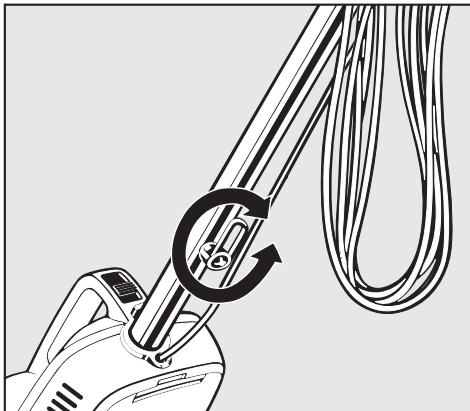
The accessory clip stores the supplied crevice nozzle and upholstery nozzle.



## Unwinding the power cord

The lower cord hook rotates.

- Turn the cord hook upwards to remove the power cord.

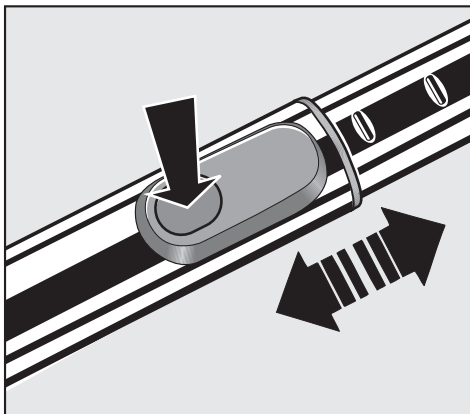


## Adjusting the telescopic wand

(depending on model)

One piece of the telescopic wand is stored inside the other and can be adjusted to suit your height for comfortable vacuum cleaning.

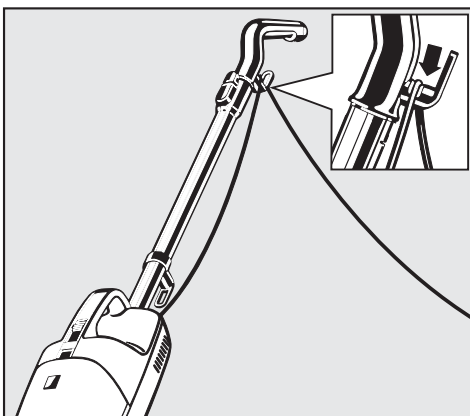
- Press the telescopic wand release button (see arrow) to release the tubes and adjust to the required height.



## Plugging the vacuum cleaner in

- Plug the vacuum cleaner in.
- While vacuuming, hang the cord over the hook on the handle (see insert).

The power cord will be guided so that it does not hinder vacuuming. It also prevents it kinking at the connection to the vacuum cleaner.



# Use

## Turning the vacuum cleaner on and off

There are two slide switches located on the handle to turn the vacuum cleaner on and off easily whether the vacuum cleaner is used upright or horizontally. Either of these slide switches can be used to operate the vacuum cleaner.

### Double slide switch

**0** = vacuum cleaner is off  
**min.** = minimum suction  
**max.** = maximum suction

- To turn the vacuum cleaner on, slide either switch to **max.**
- To turn the vacuum cleaner off, push the slide switch to **0** until it clicks.

Select **min.** for vacuuming light weight items such as throw rugs or curtains.

### Adjusting the suction

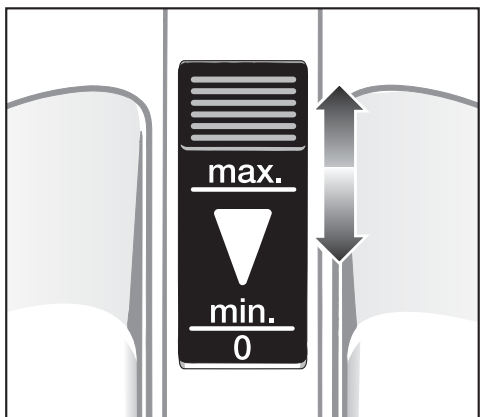
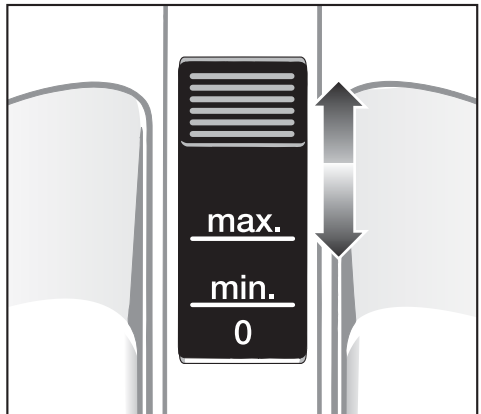
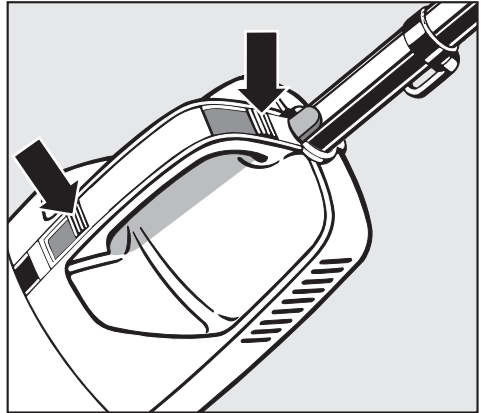
(depending on model)

Some models have an adjustable suction control that allows you to optimize the vacuum cleaner's performance to meet different cleaning needs. By reducing the suction you reduce the force on the rug and floor tool considerably.

The suction can be adjusted to the amount of dirt and the type of material that will be vacuumed.

Lightly soiled or smooth flooring can be vacuumed at a middle setting. Carpets or heavy mats can be vacuumed at the highest setting in order to remove deep seated dirt.

The highest setting should also be used if a Turbobrush is connected to the vacuum cleaner.




## Adjusting the rug and floor tool to the floor type


The rug and floor tool has been designed to give excellent cleaning results on either carpeted or smooth floors. For other floor coverings, we recommend the use of special Miele brushes (see "Optional Accessories").

It is important, however, to observe the cleaning and care instructions of the floor covering manufacturer.

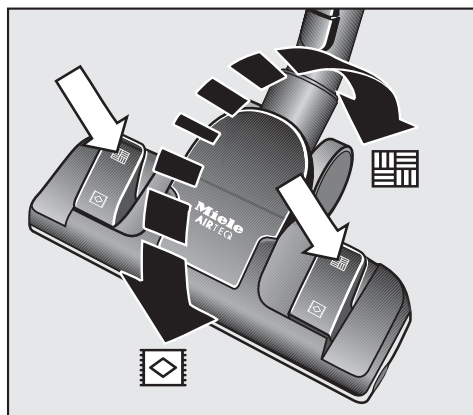
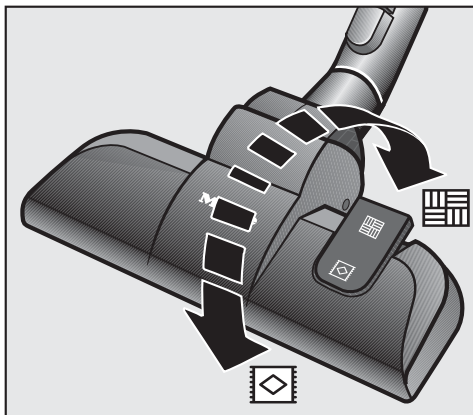
Vacuum carpets and rugs with recessed bristle strip:

- Press the foot switch to the  position.

Vacuum smooth floors with exposed bristle strip:

- Press the foot switch to the  position.

Always vacuum floors with very deep seams or gaps with the rug and floor tool with exposed bristle strip.



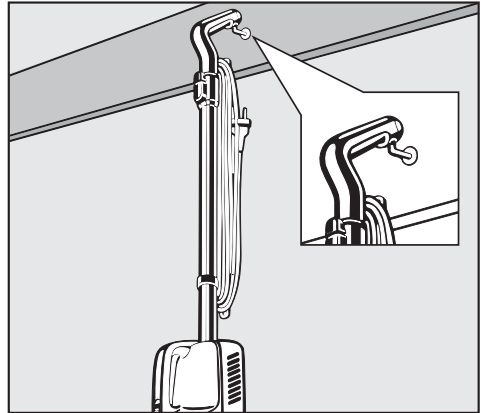
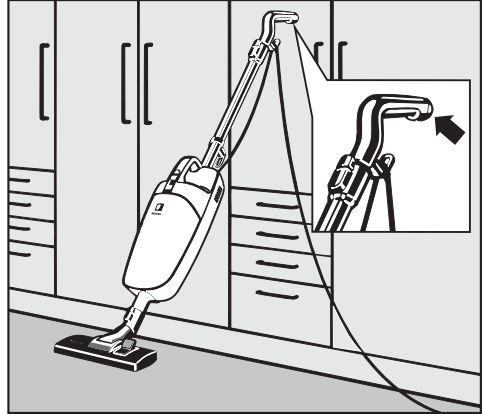
## Parking and storing the vacuum cleaner

There is a non-skid rubber bumper on the vacuum cleaner handle. This allows the vacuum cleaner to be leaned upright against a wall if desired.


Before leaving the vacuum cleaner make sure it is turned off and leaning against a wall at a safe angle.

To protect the bristle rings on the rug and floor tool, we suggest hanging the vacuum cleaner up.

For storage you can hang up the vacuum cleaner easily. There is a hole for this located on the handle.



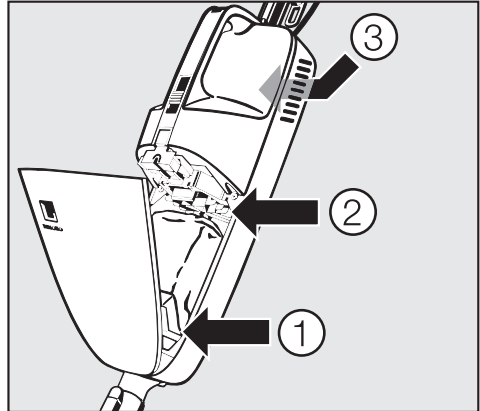


 Always turn off and unplug the vacuum cleaner before performing any maintenance work.


The Miele filter system consists of three components.

- ① Filter bag
- ② Dust compartment filter
- ③ Exhaust filter

Each of these components must be changed periodically to maintain the vacuum cleaner's efficiency.



Only use Miele filter bags, filters and accessories with the "Original Miele" logo. Only then can the suction power of the vacuum cleaner reach its optimum potential creating the best possible cleaning results.

 The use of filter bags made of paper or a similar material, or filter bags with a cardboard retaining plate can lead to serious damage to the vacuum cleaner and possibly voiding the warranty, just as with the use of filter bags without the "Original Miele" logo.

# Maintenance

---

## Purchasing filter bags and filters

Original Miele filter bags and filters can be purchased from an authorized Miele vacuum dealer or by visiting the Miele store at <http://store.miele.com>.

## Which filter bags and filters are the right ones?

Original Miele filter bags with **yellow retaining plate** Type **K/K** and Original Miele filters, have the "Original Miele" logo on the packaging or directly on the filter bags.



An "Air clean" exhaust filter and a dust compartment filter are supplied with every box of Miele filter bags. If you would like to purchase additional Miele filters separately, contact your vacuum dealer or Miele, please quote the model number of your Miele vacuum cleaner to ensure correct parts are ordered. These parts are also available to order from the online Miele store.

The exhaust filter supplied with the vacuum cleaner can be exchanged with another type of Original Miele filter (see "Exchanging exhaust filters").

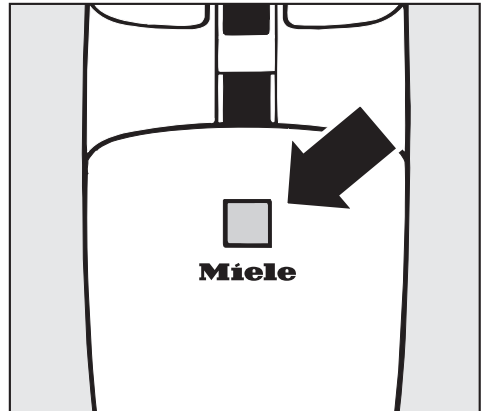
## When to change the filter bag

Change the filter bag when the colored marker in the filter bag change indicator is completely red.

Miele dust bags are disposable. Dispose of full filter bags. Do not attempt to reuse. Blocked pores reduce the suction of the vacuum cleaner.

## Checking the filter bag change indicator

- Attach the rug and floor tool to the vacuum cleaner. Other attachments can affect the function of the filter bag change indicator.
- Turn the vacuum cleaner on and select the highest power setting.
- Lift the floor brush slightly off the floor. If the marker completely fills the indicator window, the filter bag needs to be changed.



## How the filter bag change indicator works

The filter bag change indicator is designed to show when the bag is full of common household dust and measures the amount of air flow through the filter bag. Normal household dust is a mixture of dust, hair, carpet fluff, threads, sand, etc.

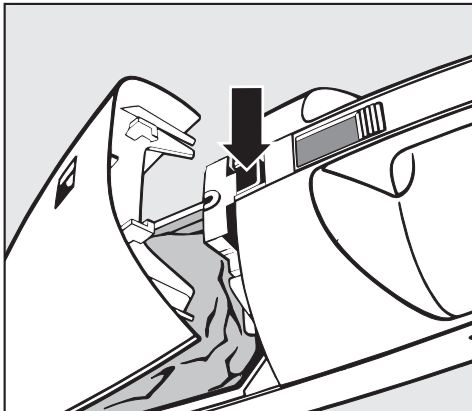
However, if fine dust, such as drill dust, sand, plaster or flour is vacuumed, the pores of the filter bag may become blocked. The marker will indicate that the bag is "full" even when it is not. The filter bag should be changed as the suction power is greatly reduced.

If the bag is bulging with pet fur, hair, carpet fluff, etc. the indicator may not register "full". This is because the air flow of the filter bag may still be high enough not to activate the marker to show maximum. The filter bag should still be changed.

# Maintenance

## How to change the dust bag

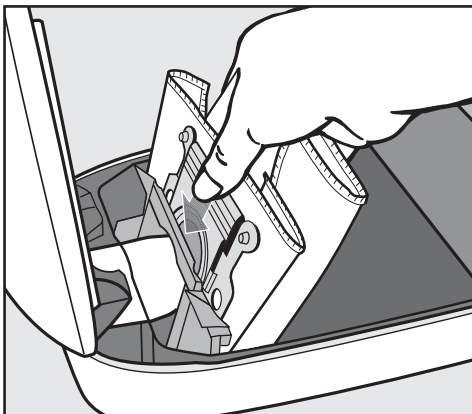
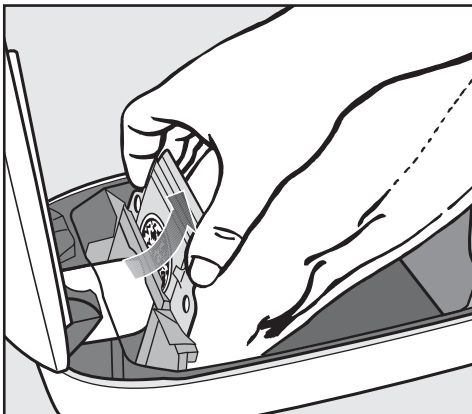
- Press the dust compartment release button, raise the lid until it clicks into place.




- Grasp the collar by the two finger holes, move it away from the suction nozzle and pull it out from the filter bag holder.

The filter bag has a flap which closes automatically to prevent dust from escaping when the filter bag is removed.

- Insert the new filter bag as far as it will go into the **yellow filter bag holder**. Do not unfold the filter bag when taking it out of the box.
- Unfold the filter bag in the dust compartment as far as possible.
- Close the dust compartment lid until it clicks into place. Take care not to jam the filter bag in the lid.



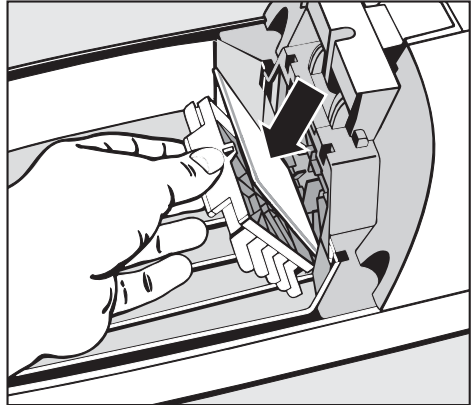
 A no-bag demobilizer blocks the dust compartment lid from closing if no filter bag is inserted or if it is not inserted all the way. Do not force it closed.

## When to change the dust compartment filter (motor protection)

Whenever you open a new box of Miele filter bags, a dust compartment filter is included in every box of genuine Miele filter bags.

## Replacing the dust compartment filter

- Open the compartment lid.
- Open the **yellow filter cartridge**, remove the old filter
- and replace it with a new one.
- Snap the filter cartridge shut and
- close the dust compartment lid firmly.



## When to change the exhaust filter

Depending on the model, one of the following standard exhaust filters is installed.

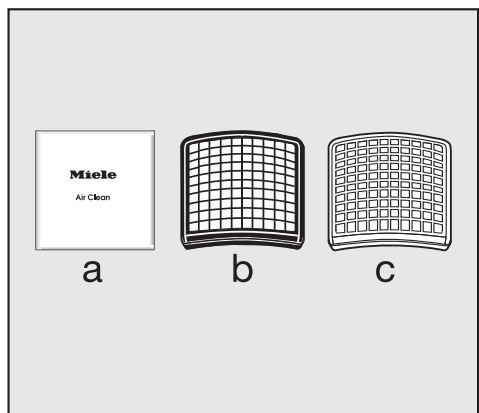
### a Air Clean

Replace this exhaust filter whenever you open a new box of Miele filter bags. An Air Clean exhaust filter is included in every box of genuine Miele filter bags.

### b Active Air Clean

### c HEPA

Replace these exhaust filters about once a year. You can note the date on the exhaust filter.

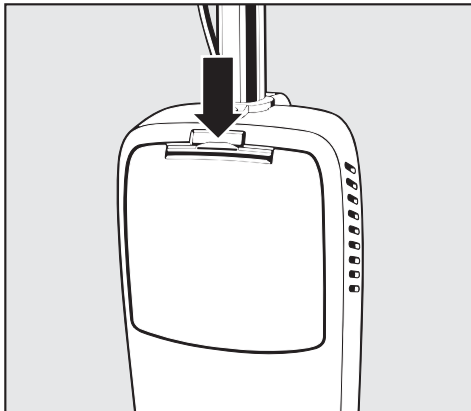


# Maintenance

## Replacing the "Air Clean" filter

Make sure that only one exhaust filter is installed.

- Press the release button for the exhaust filter compartment on the rear of the vacuum cleaner and remove the lid.

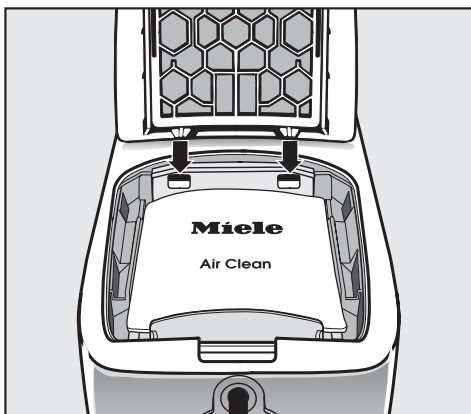


- Remove the used Air Clean exhaust filter by the clean space (see arrow)
- and replace it with a new one.

If you would like to use an Active Air Clean or HEPA filter, see "Exchanging exhaust filters".



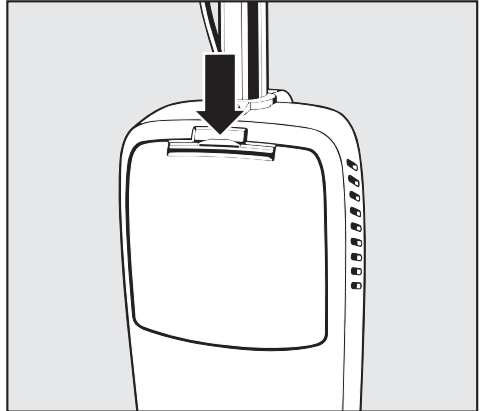
- Put the lid back on and close it.



## Replacing the "Active Air Clean" filter or the "HEPA" filter

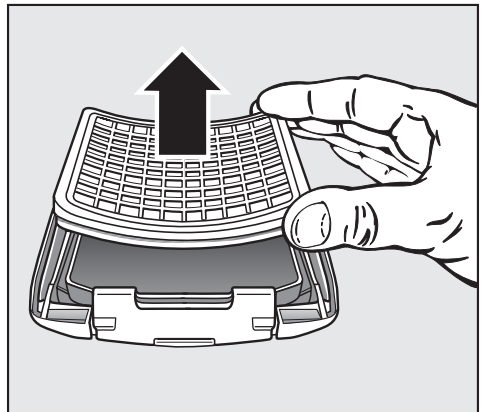
Make sure that only one exhaust filter is installed.

- Press the release button for the exhaust filter compartment on the rear of the vacuum cleaner and remove the lid.

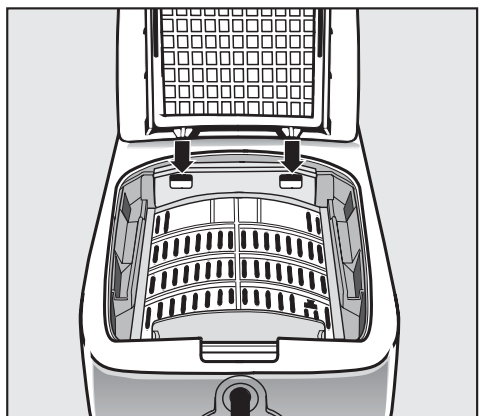


- Remove the used "Active Air Clean" filter or "HEPA" filter.
- Insert the new "Active Air Clean" filter or "HEPA" filter.

If you would like to use an Air Clean filter, see "Exchanging exhaust filters".



- Put the lid back on and close it.



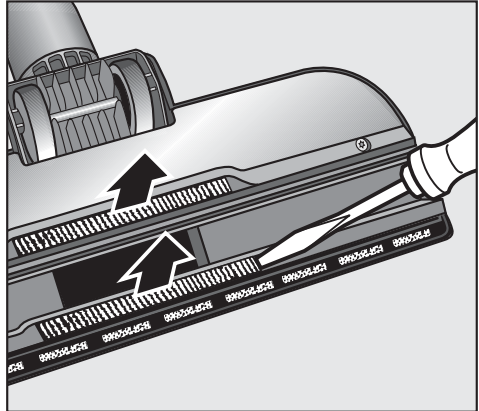
# Maintenance

## When to change the thread catcher

The thread catcher pads on the bottom of the rug and floor tool and the upholstery tool should be replaced as soon as they appear worn.

## Changing the thread catcher

- Use a knife or similar object to remove the thread catcher pads from the slots.
- Press the new thread catcher into the slots.



Spare parts may be obtained from from any authorized Miele vacuum dealer or Miele.



# Exchanging exhaust filters

Depending on the model, one of the following standard exhaust filters is installed.

- a** Air Clean
- b** Active Air Clean (SF-AAC 10)
- c** HEPA (SF-H 10)

All of the above filters are interchangeable and the exhaust filter supplied with the vacuum cleaner can be exchanged with another type.

Make sure that only one exhaust filter is installed.

The exhaust filters have different features (see "Optional accessories").

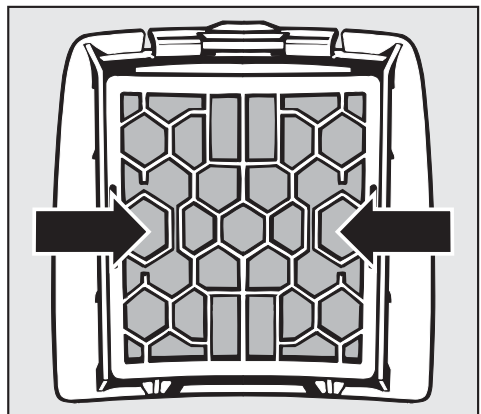
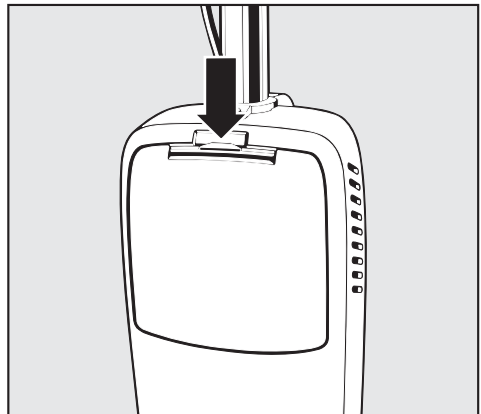
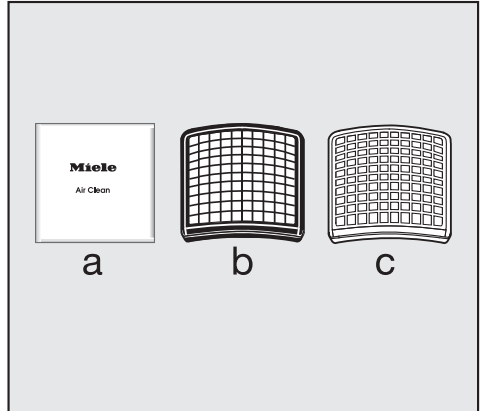
## When changing the filter

1. If you would like to replace filter **a** with filter **b** or **c** it is essential that you also remove the filter frame before inserting the new type of filter.
2. If you would like to replace exhaust filter **b** or **c** with filter **a** it is essential that you install a filter frame \* **in the lid**.

\* Filter frame - see "Optional accessories"


## Removing or inserting the filter frame

- Grasp the sides of the filter frame at the locations shown (see arrows) and squeeze. The frame can now be inserted or removed.




# Cleaning and care

---

 Always turn off and unplug the vacuum cleaner before performing any cleaning.


## Vacuum cleaner and accessories

The vacuum cleaner and other plastic accessories can be cleaned with a damp cloth or a cleaner suitable for plastics.

 Do not use abrasive, glass, all purpose or oil based cleaners!

## Dust compartment

The dust compartment can, if necessary, be cleaned using a **dry** cloth, dusting brush or a second vacuum cleaner to remove any dust.

 Do not submerge the vacuum cleaner in water. If moisture gets into the vacuum cleaner there is the risk of electric shock.

### **The vacuum cleaner shuts off automatically.**

If the vacuum cleaner has overheated the temperature limiter will automatically turn the vacuum cleaner off.

This can occur if, for instance, large articles block the suction tube or when the filter bag is full or contains particles of fine dust. A heavily soiled exhaust or dust compartment filter can also be the cause of overheating. In this case, turn the vacuum cleaner off and unplug it from the outlet.

After eliminating the cause and a wait of about 20 - 30 minutes, the vacuum cleaner has cooled enough that you can turn it on and use it again.

# Optional accessories

---

It is important to observe the cleaning and care instructions of the floor covering manufacturer.

These and many other products can be purchased from an authorized Miele vacuum dealer or by visiting the Miele store at <http://store.miele.com>.

Some models are equipped with one or more of the following accessories.

## Powerbrush

The powerbrushes can only be connected to a vacuum cleaner having a powerbrush outlet.

### **Electro Comfort Powerbrush (SEB 217)**

For intensive cleaning of medium-nap carpeting. It removes firmly packed dirt and prevents the formation of traffic patterns in areas subject to hard wear.

### **Electro Premium Powerbrush (SEB 236)**

In comparison to the SEB 217 this powerbrush is 2 3/8" (60 mm) wider, more powerful and recommended for cleaning large areas.

In comparison to the SEB 217 it also has:

- a height adjustment to adapt to different pile heights
- LEDs for illuminating the work area
- a multifunction indicator light.

## Floor tools / brushes

### **Turbobrush Turbo Comfort (STB 205)**

For cleaning short to medium pile carpeting.

### **Floor brush Hardfloor (SBB 235)**

For vacuuming sturdy hard floors, e.g. tiles and stone floors.

### **Floor brush Parquet (SBB Parquet)**

Special brush with natural bristles intended for cleaning floors susceptible to scratching such as parquet floors.

## Other accessories

### Hand Turbobrush Turbo Mini Compact (STB 20)

Intended for vacuuming upholstery, mattresses or car seats.

### Universal brush (SUB 20)

For dusting rows of books, shelves and the like.

### Radiator brush (SHB 10)

For cleaning radiators, narrow shelves or crevices.

### Mattress tool (SMD 10)

Ideal for cleaning tight spaces near mattresses and in upholstered furniture.

### Crevice nozzle, 300 mm (SFD 10)

For cleaning in folds, crevices and corners.

### Flexible crevice nozzle, 560 mm (SFD 20)

For cleaning hard-to-reach places.

### Upholstery nozzle, 190 mm (SPD 10)

For vacuuming upholstered furniture, mattresses and cushions.

### Dusting brush with natural bristles (SSP 10)

For very delicate items.

## Accessory clip

For storage of the supplied accessories (crevice nozzle and upholstery brush).

## Canister vacuum cleaner accessories

Together with the available extension / telescopic wand you can use the upright vacuum cleaner as a canister vacuum cleaner.

For easy cleaning of door frames, bookshelves, curtains, etc. and for easy vacuuming under cabinets, beds, etc.

When purchasing canister vacuum accessories, indicate the model number of your vacuum cleaner.

## Filters

### Active Air Clean exhaust filter SF-AAC 10

absorbs odors caused by the dirt in the filter bag.

### HEPA exhaust filter SF-H 10

Excellent exhaust air filter for purest exhaust air. Particularly suitable for allergy sufferers.

### Filter frame

The filter frame is needed if you want to use an Air Clean exhaust filter instead of a HEPA or Active Air Clean filter.

## Technical Service

---

In the event of a fault which you cannot fix yourself please contact the Miele Service Department at the phone number listed on the back of this booklet.

- Please quote the model type of your appliance.

This can be found on the data plate on the bottom of the vacuum cleaner.

### **Disposal of the packing material**

The cardboard box and packaging protect the appliance during shipping. These materials are biodegradable and recyclable. Please recycle.

Ensure that any plastic wrappings, bags etc. are disposed of safely and kept out of the reach of children.  
Danger of suffocation!

### **Disposal of an old machine**

Old appliances may contain materials that can be recycled. Please contact your local recycling authority about the possibility of recycling these materials.

**Please have the model and serial number of your appliance available before contacting Technical Service.**

---



## **U.S.A. Miele, Inc.**

### **National Headquarters**

9 Independence Way  
Princeton, NJ 08540  
Phone: 800-843-7231  
609-419-9898  
Fax: 609-419-4298  
[www.mieleusa.com](http://www.mieleusa.com)

### **Technical Service & Support Nationwide**

Phone: 800-999-1360  
Fax: 888-586-8056

[TechnicalService@mieleusa.com](mailto:TechnicalService@mieleusa.com)

## **Canada Miele Limited**

### **Headquarters and Showroom**

161 Four Valley Drive  
Vaughan, ON L4K 4V8  
Phone: 800-643-5381  
905-660-9936  
Fax: 905-532-2290  
[www.miele.ca](http://www.miele.ca)  
[professional@miele.ca](mailto:professional@miele.ca)  
(commercial enquiries)

### **MieleCare National Service**

Phone: 800-565-6435  
905-532-2272  
Fax: 905-532-2292  
[customercare@miele.ca](mailto:customercare@miele.ca)  
(general and technical enquiries)

## **Germany**

Miele & Cie. KG  
Carl-Miele-Straße 29  
33332 Gütersloh

---

Subject to change / S 190 / 1612

M.-Nr. 09 226 640 / 01

INFORMATION IS SUBJECT TO CHANGE. PLEASE REFER TO OUR WEBSITE TO OBTAIN THE MOST CURRENT PRODUCT SPECIFICATIONS, TECHNICAL & WARRANTY INFORMATION.

Download from [Www.Somanuals.com](http://Www.Somanuals.com). All Manuals Search And Download.



## Free Manuals Download Website

<http://myh66.com>

<http://usermanuals.us>

<http://www.somanuals.com>

<http://www.4manuals.cc>

<http://www.manual-lib.com>

<http://www.404manual.com>

<http://www.luxmanual.com>

<http://aubethermostatmanual.com>

Golf course search by state

<http://golfingnear.com>

Email search by domain

<http://emailbydomain.com>

Auto manuals search

<http://auto.somanuals.com>

TV manuals search

<http://tv.somanuals.com>