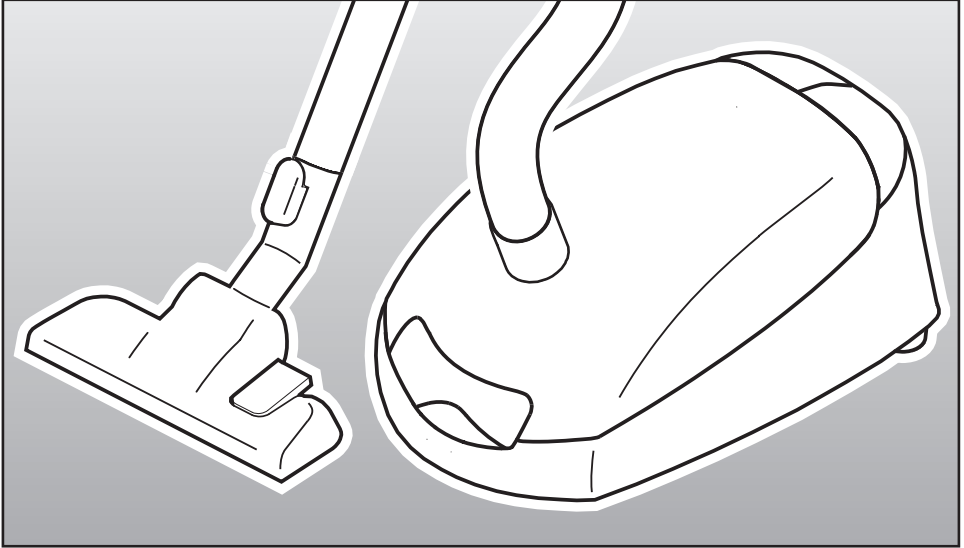


Operating Instructions



Vacuum Cleaner S 2001

To prevent accidents
and machine damage,
read these instructions
before
installation and use.

HS12

en - US

M.-Nr. xx xxx xxx

IMPORTANT SAFETY INSTRUCTIONS	4
Guide to the vacuum cleaner	8
Before using the vacuum cleaner	10
Using the included accessories	12
Operation	14
Power cord	14
Turning the vacuum On/Off	15
Adjusting the suction	16
Opening the air inlet valve	16
Transport and storage	17
Maintenance and care	18
Purchasing new dustbags and filters	18
Which dustbags and filters are the right ones?	18
When to change the dustbag	19
Replacing the dustbag	20
When to change the dust compartment filter (Pre-motor filter)	21
Replacing the dust compartment filter (Pre-motor filter)	21
When to replace the Air Clean exhaust filter	21
Replacing the Air Clean filter	21
Exchanging exhaust filters	22
When to change the Active HEPA exhaust filter	22
Replacing the Active HEPA exhaust filter	22
When to change the thread catcher on the standard floor brush	23
Changing the thread catcher	23
Cleaning and care	24
Frequently asked questions	25
Optional accessories	26
Technical Service	28
Caring for the environment	29

IMPORTANT SAFETY INSTRUCTIONS

When using an electrical appliance, basic precautions should always be followed, including the following:

READ ALL INSTRUCTIONS BEFORE USING THIS APPLIANCE

WARNING-

To reduce the risk of fire, electric shock or injury:

Before Using

▶ Check the voltage rating of the vacuum cleaner before connecting the power cord to an electrical outlet. Your power source should correspond with the voltage rating plate located on the underside of the vacuum. Use only household AC outlets. Never use DC power sources. If you are not sure of your home's voltage supply, consult a qualified electrician. Connecting the vacuum cleaner to a higher voltage may result in damage to the vacuum cleaner or injury.

▶ To reduce the risk of electric shock, this appliance has a polarized plug (one blade is wider than the other.) This plug will fit in a polarized outlet only one way. If the plug does not fit fully in the outlet, reverse the plug. If it still does not fit, contact a qualified electrician to install the proper outlet. Do not alter the plug in any way.

▶ A damaged vacuum cleaner can be dangerous. Check the packaging, vacuum cleaner and accessories for any signs of damage. Do not use a damaged appliance.

▶ Do not use with a damaged cord or plug. If the appliance is not working as it should, has been dropped, damaged, left outdoors or submerged in water, bring it to a service center.

▶ The electrical outlet must be fitted with a 15 A fuse.

IMPORTANT SAFETY INSTRUCTIONS

Use

- ▶ Do not use on people or animals.
- ▶ Do not use outdoors or on wet surfaces. Only **dry** surfaces should be vacuumed.
- ▶ Use only as described in this manual. Use only Miele recommended accessories described in this manual.
- ▶ This appliance is intended strictly for household use only.
- ▶ Do not allow the vacuum cleaner to be used as a toy. Close attention is necessary when used near children.
- ▶ Never use the vacuum cleaner without the dustbag or filters in place. Otherwise, it could be damaged.
- ▶ If the dustbag is not inserted, the dust compartment lid will not close. Do not force it shut.
- ▶ Do not leave the vacuum plugged in. Unplug it from the outlet when not in use and before servicing.
- ▶ On the underside of the vacuum hand piece is a metal insert designed to absorb static electricity. Please make certain that your hand remains around this metal insert when vacuuming.
- ▶ Persons who lack physical, sensory, or mental capabilities or experience with the machine should not use it without supervision or instruction by a responsible person.
- ▶ Unwind the cord completely to aid the vacuum in dissipating heat.
- ▶ This vacuum should not be used to entrap or retain any hazardous materials.
- ▶ Do not use the vacuum cleaner to pick up liquids or damp dirt. This could impair the electrical safety of the vacuum cleaner. Wait for freshly shampooed carpets to dry.
- ▶ Do not vacuum anything that is burning or smoking such as cigarettes, matches or hot ashes. The vacuum could catch fire.
- ▶ Do not vacuum toner dust. Toner, such as that used in printers and photocopiers can conduct electricity.
- ▶ Do not use the vacuum to pick up any flammable or combustible liquids such as gasoline or use in areas where they may be present.
- ▶ Do not vacuum up items which are heavy, hard or have sharp edges. They could cause a blockage and damage the appliance.
- ▶ Do not pull or carry by the cord, use the cord as a handle, close a door on the cord, or pull the cord around sharp edges or corners. Do not run the appliance over the cord. Keep the cord away from heated surfaces.
- ▶ Do not unplug by pulling the cord. To unplug grasp the plug, not the cord.
- ▶ Do not handle the plug or vacuum with wet hands.

IMPORTANT SAFETY INSTRUCTIONS

- ▶ Keep hair, loose clothing, fingers, and all parts of body away from openings and moving parts.
- ▶ Do not place anything into the openings of the vacuum. Do not use if any openings are blocked; keep them free of dust, lint, hair or anything that may reduce air flow.
- ▶ To avoid risk of injury while vacuuming, do not reach into the moving beater bar of the Powerbrush. Danger of injury.
- ▶ This appliance is equipped with a power cord reel. Hold the plug when rewinding onto cord reel. Do not allow plug to whip when rewinding.
- ▶ Turn off all controls before unplugging.
- ▶ Use caution when vacuuming on stairs.
- ▶ Floor attachments, accessories and wands must not be used at head level to avoid injuries to the eyes and ears.

Using accessories

- ▶ The socket on the vacuum cleaner is only to be used with the Miele Powerbrush.
- ▶ Unplug the vacuum when changing accessories, especially when using the Powerbrush.
- ▶ The Miele Powerbrush is a motor-driven accessory for use only with Miele vacuum cleaners. The vacuum must not be used with another manufacturer's Powerbrush.
- ▶ Do not use the vacuum without an accessory attached. The rim could be damaged and injuries could result from sharp edges.
- ▶ Miele dustbags are disposable and intended to be used only once. Do not attempt to reuse them. An over stuffed dustbag will reduce the efficiency of the vacuum cleaner.
- ▶ Only use genuine Miele dustbags with the Miele quality signet and original Miele filters and accessories. Only then will the manufacturer guarantee its safety.
- ▶ Always turn off this appliance before connecting or disconnecting motorized nozzle.

IMPORTANT SAFETY INSTRUCTIONS

Cleaning, maintenance and repairs

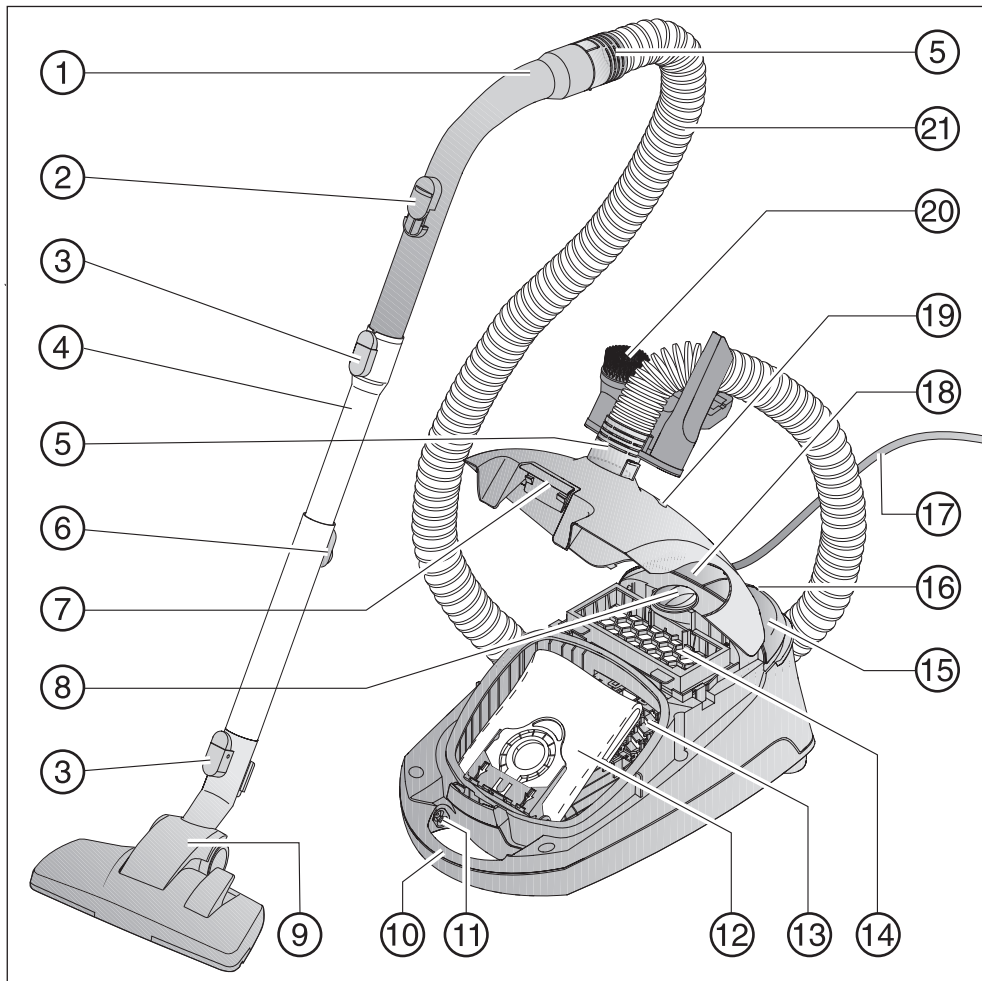
- ▶ Turn the vacuum cleaner off after each use and before every cleaning / maintenance. Pull the plug from the outlet.
- ▶ Never submerge the vacuum cleaner in water. Clean only with a dry cloth or slightly damp cloth when disconnected from the mains supply. If moisture gets into the appliance there is a risk of electrical shock.
- ▶ Monitor the dustbag change indicator and inspect all filters regularly. For best performance, the dustbag and filters should be replaced when necessary. A full bag or blocked filter will reduce the vacuum cleaners' suction power. A temperature limiter automatically switches the vacuum cleaner off if it gets too hot, see "Maintenance and Care - What if the vacuum turns off automatically?".
- ▶ Repairs during the warranty period should only be performed by an authorized service agent in accordance with national and local safety regulations. Unauthorized repairs could cause injury or machine damage and may void the warranty.

Disposing of an old appliance

- ▶ Before discarding an old vacuum cleaner, please cut off the power cord, and render the plug useless. Ensure the appliance presents no danger to children while being stored for disposal

SAVE THESE INSTRUCTIONS

Guide to the vacuum cleaner



- ① Hand piece
- ② Air inlet valve
- ③ Lock release button
- ④ Telescopic wand
- ⑤ Hose connector
- ⑥ Telescopic wand release button
- ⑦ Dust compartment lid release
- ⑧ Suction power selector
- ⑨ Floor brush *
- ⑩ Carrying handle
- ⑪ Socket for Powerbrush
- ⑫ Dustbag
- ⑬ Dust compartment filter (pre-motor filter)
- ⑭ Exhaust filter
- ⑮ On/Off Ⓛ foot switch
- ⑯ Park-System
- ⑰ Power cord
- ⑱ Cord rewind switch
- ⑲ Airflow indicator
- ⑳ Accessory clip with three tools
- ㉑ Suction hose

The features marked * may vary or not be available on your model.

Optional accessories are available from your Miele dealer or Miele.com

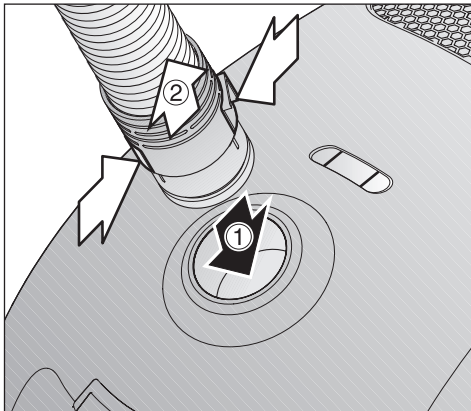
Before using the vacuum cleaner

Connecting the hose ①

- Insert the hose connector in the suction socket until it clicks into place.

Disconnecting the hose ②

- Press the release buttons at the sides of the hose connector and lift the hose from the socket.

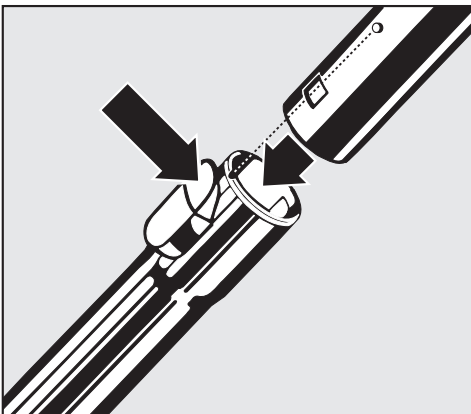


Connecting the hand piece and wand

- Insert the hand piece into the wand until it clicks into place. Use the inlet guides to direct insertion.

Releasing the hand grip

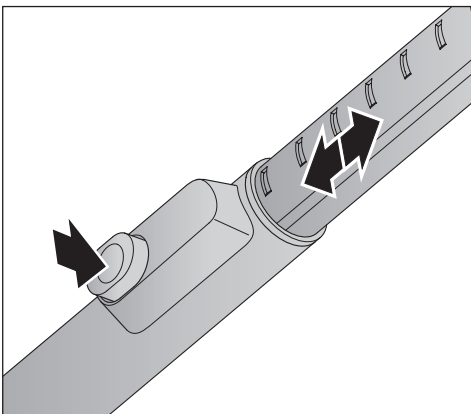
- Press the lock release button and pull the hand piece away from the wand.



Adjusting the telescopic wand

One part of the telescopic wand is fitted inside the other and can be adjusted to your height for comfortable vacuum cleaning.

- Press the telescopic wand release button to release the tubes and adjust to the desired height.



Before using the vacuum cleaner

Using the standard floor brush

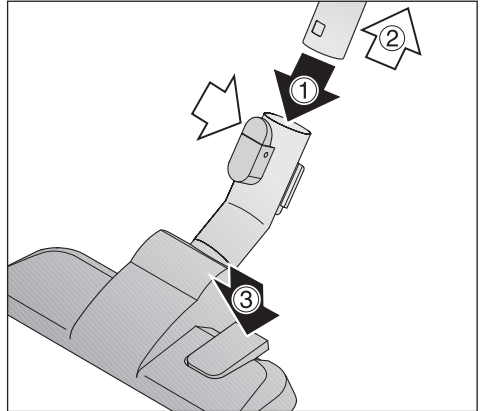
(depending on model)

Observe the cleaning instructions of the floor manufacturer.

The floor brush is suitable for cleaning carpets, rugs, carpeted stairs and hard surfaces that are not susceptible to scratching.


Connecting the floor brush

- Place the floor brush into ① the suction hose and twist until it clicks into place.
- To separate the parts ②, press the lock release button and pull apart.




Adjusting the floor brush ③

For vacuuming carpets and rugs, lower the tool by:

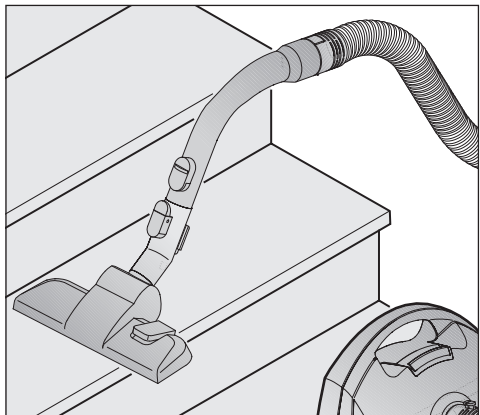
- pressing the foot switch marked .

For cleaning smooth floors, raise the tool by:

- pressing the foot switch marked .

Floor brush

- For safety, when vacuuming stairs it is best to start at the bottom and move upwards.

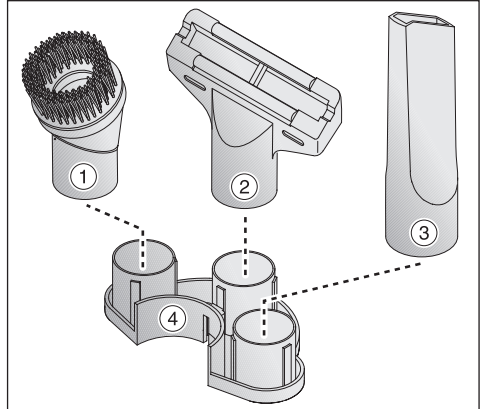


Using the included accessories

The following accessories are included:

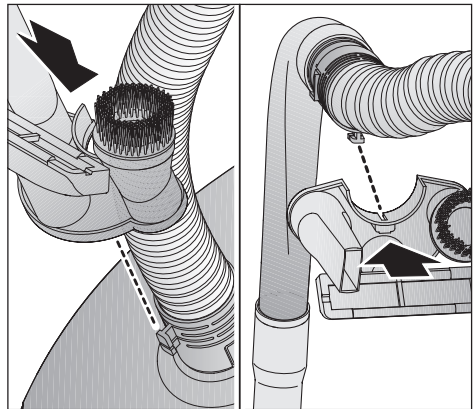
- ① Dust brush with natural bristles
- ② Upholstery tool
- ③ Crevice nozzle
- ④ Accessory clip for the included accessories

Position the accessories as indicated.



Accessory clip

- Press the accessory clip either above the hose connector or below the suction hose. Be sure it clicks into place.

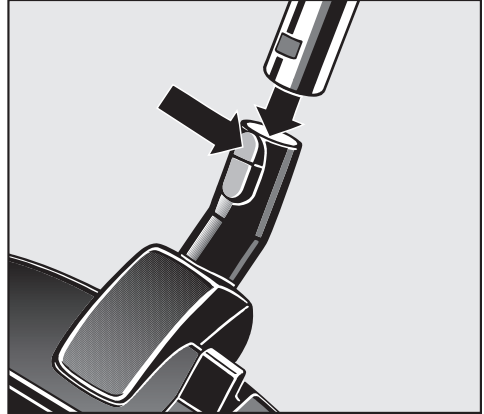


Using the included accessories

Attaching the floor tool/brush

- Insert the wand into the floor brush and twist until it locks with a click.
- To release the floor brush from the telescopic wand, press the locking button (see arrow) and pull the wand out of the floor brush.

Observe the cleaning instructions of the floor manufacturer.



SBB 300-3 Floor brush

(depending on model)

The floor brush is suitable for cleaning all hard flooring.



Floor brush Parquet-3

(depending on model)


Special brush with natural bristles intended for cleaning parquet and laminate floors, especially those susceptible to scratching.

The parquet floor brush can be cleaned with the vacuum cleaner using the crevice nozzle if necessary.



Operation

Power cord

 Unwind the cord completely to aid the vacuum in dissipating heat.


Do not pull or carry by the cord, use the cord as a handle, close a door on the cord, or pull the cord around sharp edges or corners. Do not run the appliance over the cord. Keep the cord away from heated surfaces.

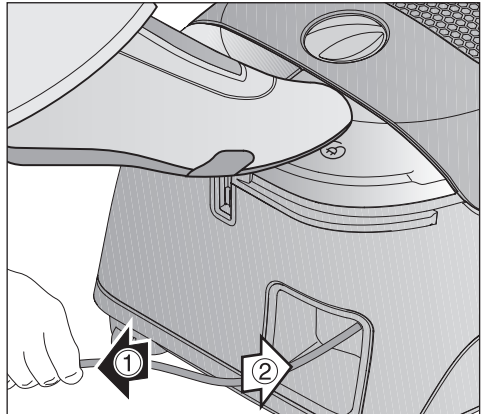
Do not unplug by pulling the cord. To unplug grasp the plug, not the cord.

This appliance is equipped with a power cord reel. Hold the plug when rewinding onto cord reel. Do not allow plug to whip when rewinding.

Unwinding

- Hold the plug and pull ① out the power cord.

 To reduce the risk of electric shock, the vacuum has a polarized plug (one blade is wider than the other). This plug will fit in a polarized outlet only one way. If the plug does not fit fully in the outlet, contact a qualified electrician. Do not alter the plug in any way.
Danger of overheating and damage.



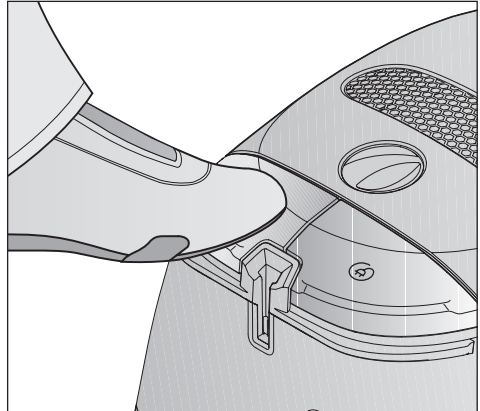
Rewinding

- Unplug the vacuum from the outlet.
- Press the rewind switch - the power cord will rewind automatically ②.
Hold the plug so that it does not whip around when rewinding.

Turning the vacuum On/Off

- Press the On/Off foot switch ①.

⚠ To prevent static electricity your hand must touch the metal inlay on the underside of the vacuum hand piece. Be certain to continuously touch this inlay when vacuuming fine dust, flour or sawdust as these materials are more likely to create a static discharge. To further prevent static discharge, pull the vacuum along by the hose with one hand while continuing to hold the hand piece in the other hand.









Operation

Adjusting the suction

You can adjust the suction power to suit the type of flooring. By reducing the suction power the floor brush can be pushed easier.

The symbols on the controls indicate the type of use the settings are suitable for:

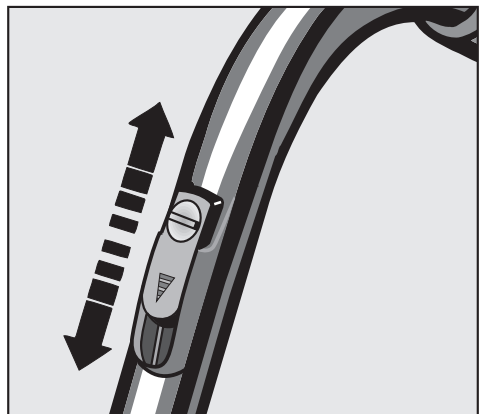
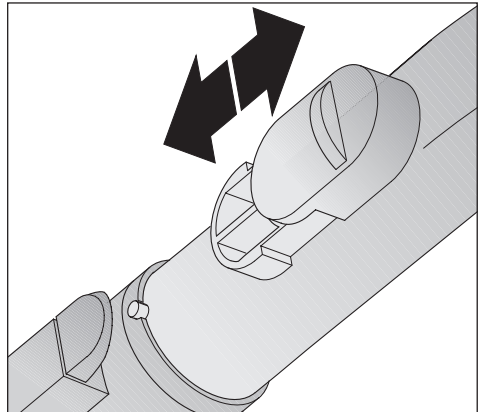
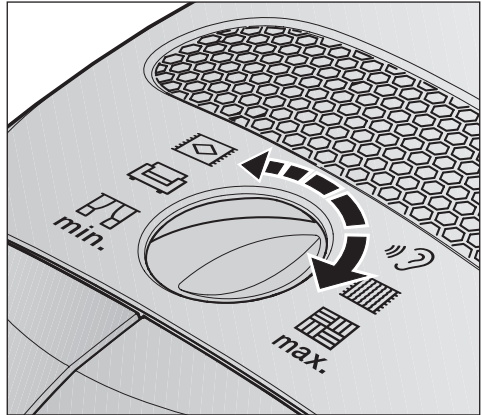
-  curtains, lightweight fabrics
 -  upholstery, cushions
 -  thick pile carpets, rugs and runners
 -  energy saving, daily vacuuming with low noise level
 -  lightly soiled textured carpets
 -  textured hard flooring, and for intensive cleaning of carpets
- Turn the suction power selector to the desired setting.

Opening the air inlet valve

The air inlet valve can be opened to quickly reduce the suction power of the tool being used, e.g. when moving from a carpet to an area rug.

- Open the air inlet valve far enough to reduce the suction power.

Opening the air inlet valve reduces the power to the tool being used.

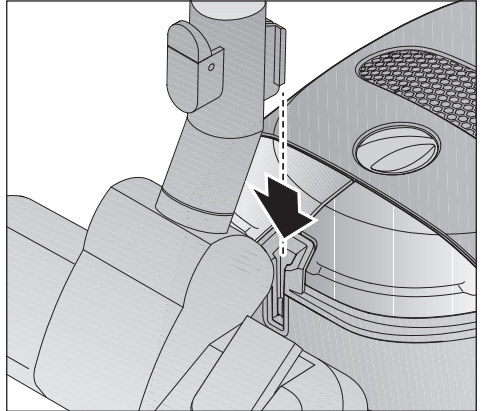


Park-System

(Cannot be used with the Powerbrush SEB 228 / EB03.)

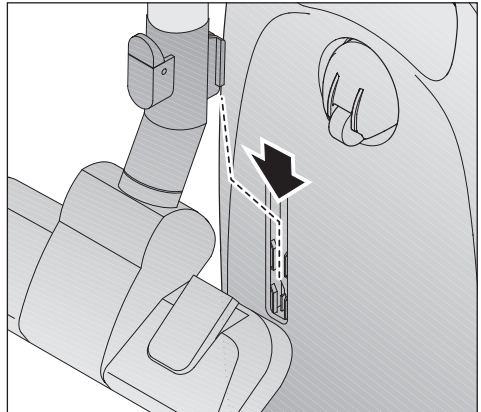
The Park system allows you to conveniently park the wand and floor brush on the vacuum cleaner during brief pauses.

- Insert the lower clip on the floor brush into the slot on the end of the vacuum cleaner from above.




Transport and storage

- For easier transportation and storage stand the vacuum cleaner vertically.
- Insert the parking clip attachment on the floor brush into the parking slot from above (does not apply to Powerbrush SEB 228 / EB03).
- To save space, completely collapse the tubes in the telescopic wand.



Maintenance and care


 Turn off and unplug the vacuum cleaner before performing any maintenance work.

The Miele filter system consists of the following three components.

- Dustbag
- Exhaust filter
- Dust compartment filter

Each of these components must be changed periodically to maintain the vacuum cleaner's efficiency.

Only use Miele dustbags, filters and accessories with the "Original Miele" logo. Only then can the suction power of the vacuum cleaner reach its optimum potential creating the best possible cleaning results.

 The use of dustbags made of paper or a similar material, or dustbags with a cardboard retaining plate can lead to serious damage to the vacuum cleaner and possibly voiding the warranty, just as with the use of dustbags without the "Original Miele" logo.

Purchasing new dustbags and filters

Original Miele dustbags and filters can be purchased from an authorized Miele vacuum dealer or by visiting the Miele store at <http://store.miele.com>.

Which dustbags and filters are the right ones?

This vacuum cleaner uses Original Miele dustbags Type **G/N** and an Original Miele filters, the "Original Miele" Logo will appear on the packaging or directly on the dustbag.



An "Air clean" exhaust filter and a dust compartment filter are supplied with every box of Miele dustbags. If you would like to purchase additional Miele filters separately, contact your vacuum dealer or Miele, please quote the model number of your Miele vacuum cleaner to ensure correct parts are ordered. These parts are also available to order from the online Miele store.

The exhaust filter supplied with the vacuum cleaner can be exchanged with another type of Original Miele filter (see "Exchanging exhaust filters").

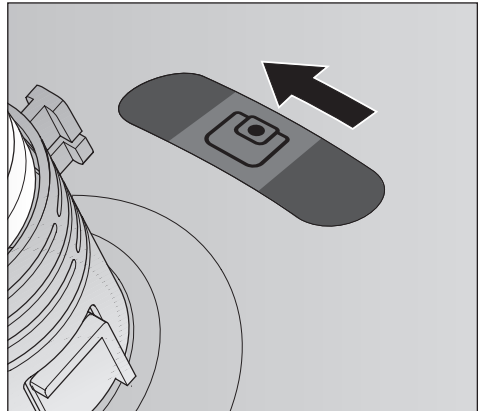
When to change the dustbag

Change the dustbag when the colored marker in the airflow indicator fills the display.

Miele dustbags are disposable and made to be used only once. Do not attempt to reuse.

Checking the airflow indicator

- Attach the floor brush to the vacuum cleaner. Perform this test with the floor brush only, since other attachments can affect the function of the airflow indicator.
- Turn the vacuum cleaner on and select the highest power setting.
- Lift the floor brush slightly off the floor. If the marker completely fills the indicator window, the dustbag needs to be changed.



How the airflow indicator works

The airflow indicator is designed to show when the bag is full of common household dust and measures the amount of air flow through the dustbag. Normal household dust is a mixture of dust, hair, carpet fluff, threads, sand, etc.

However, if fine dust, such as drill dust, sand, plaster or flour is vacuumed, the pores of the dustbag may become blocked. The marker will indicate that the bag is "full" even when it is not. The dustbag should be changed as the suction power is greatly reduced.

If the bag is bulging with pet fur, hair, carpet fluff, etc. the indicator may not register "full". This is because the air flow of the dustbag may still be high enough not to activate the marker to show maximum. The dustbag should still be changed.

Maintenance and care

Replacing the dustbag

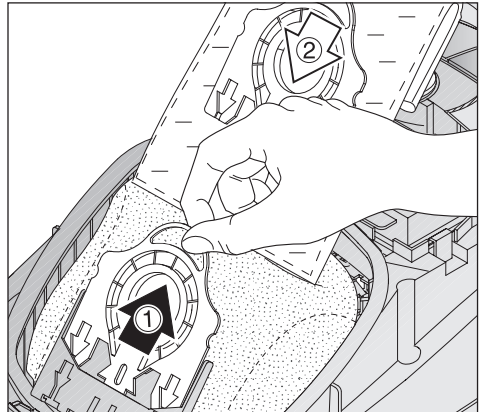
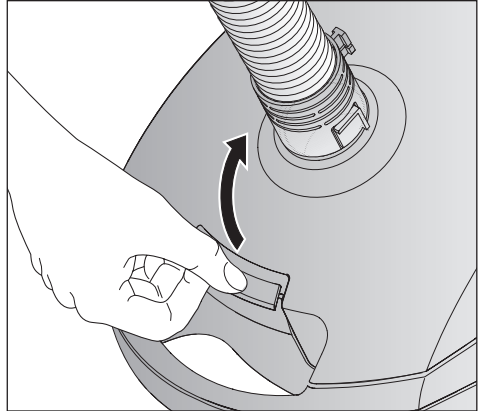
- Open the dust compartment lid and raise until it clicks into place.


The dustbag has a closing flap which closes automatically when the dust compartment lid is raised to prevent any dust from escaping.

- Grasp the finger grip and pull ① the dustbag out of the holder.

- Insert ② the new dustbag as far as it will go into the dustbag holder. Do not unfold the dustbag when taking it out of the box.

- Unfold the dustbag in the dust compartment.
- Push the dust compartment lid closed until it clicks into place. Take care not to jam the dustbag in the lid.



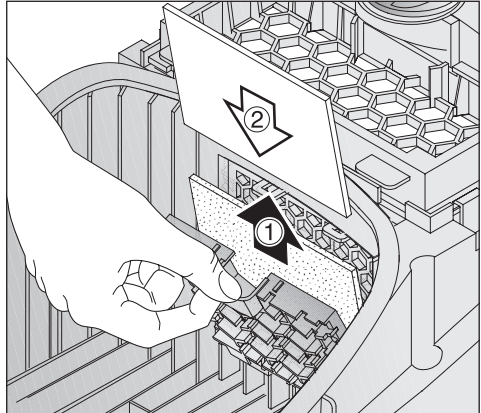
 An empty-operation-barrier blocks the dust compartment lid from closing if no dustbag is inserted. Do not force it closed.

When to change the dust compartment filter (Pre-motor filter)

Change the filter each time you open a new box of genuine Miele dustbags. A dust compartment filter is supplied with each box.

Replacing the dust compartment filter (Pre-motor filter)

- Open the dust compartment lid.
- Open the filter frame, remove the old filter, and insert a new filter.
- Close the filter frame.
- Close the dust compartment lid.



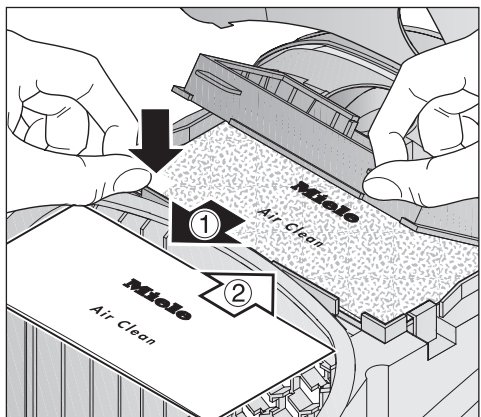
When to replace the Air Clean exhaust filter

Each time a new box of Miele dustbags is opened, this filter should be changed. A new Air Clean exhaust filter is included in every box of Miele dustbags.

Replacing the Air Clean filter

Do not use more than one filter at a time.

- Open the dust compartment lid.
- Open the filter frame until it clicks, grasp the clean corner (see arrow) and remove the used filter ①.
- Insert the new filter ②.
- Close the filter frame.
- Close the dust compartment lid.



Maintenance and care

Exchanging exhaust filters

Depending on the model, there may also be an Active HEPA exhaust filter included which can be used instead of the standard Air Clean exhaust filter.

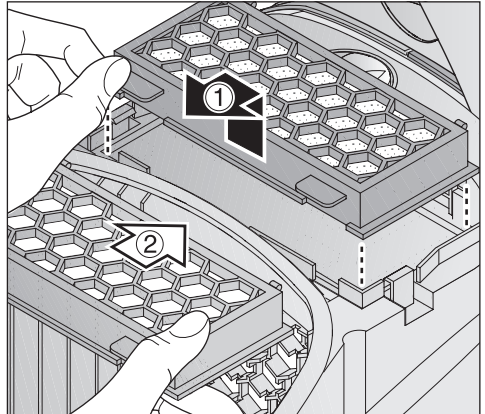
In order to use the Active HEPA filter the Air Clean filter and filter frame must be removed.

When to change the Active HEPA exhaust filter

Change this filter approximately once a year. You can make a note of the date directly on the exhaust filter.

Replacing the Active HEPA exhaust filter

- Open the dust compartment lid.
- Remove the used exhaust filter ①.
- Insert a new filter ②.
- Close the dust compartment lid.



When to change the thread catcher on the standard floor brush

(depending on model)

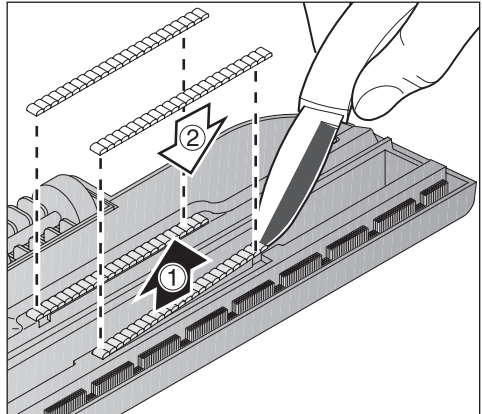
The thread catcher on the floor brush should be replaced as soon as they appear worn.

Changing the thread catcher

Some models may include one of the following floor heads:

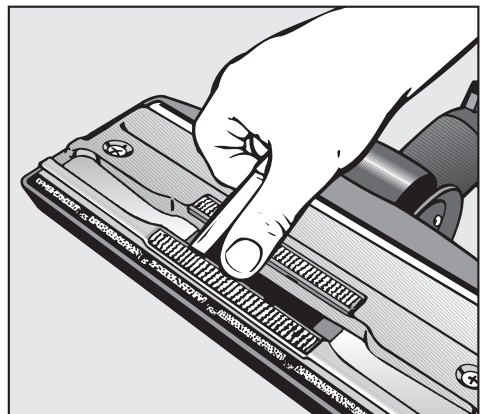
Floor brush SBD 350-3

- Using a knife or similar object, lift the thread catcher out of the slot by the red marking on the side ①.
- Insert a new thread catcher into the slots ②.




Floor brush SBD 350

- Use a knife or similar object to remove the thread catcher pads from the slots.
- Insert a new thread catcher into the slots.




New thread catcher pads can be purchased from any authorized Miele vacuum dealer or Miele.

Cleaning and care

 Turn off the vacuum and unplug it from the outlet before performing any maintenance work.

Vacuum cleaner and accessories


The vacuum cleaner and other plastic accessories can be cleaned with a damp cloth or a cleaner suitable for plastics.


 Do not use abrasive, glass or all purpose cleaners! They will damage the surface.

Dust compartment

The dust compartment can, if necessary, be cleaned using a **dry** cloth, dusting brush or a second vacuum to remove any dust.


Monitor the airflow indicator and inspect all filters regularly. Clean or replace them when necessary according to these Operating Instructions.

 Do not submerge the vacuum in water. If moisture gets into the appliance there is the risk of an electric shock.

 Turn off and unplug the vacuum cleaner before performing any maintenance work.

What if the vacuum turns off automatically?

The vacuum has overheated. The temperature limiter automatically turns the vacuum off.

This can occur if, for instance, large articles block the suction tube or when the filter bag is full or contains particles of fine dust. A heavily soiled exhaust or dust compartment filter can also be the cause of overheating. Turn the vacuum off  and pull the plug from the outlet.

Check for any blockages and allow the vacuum to cool for 30 minutes.



Optional accessories

Powerbrush

Observe the cleaning instructions of the floor manufacturer.

The Powerbrush can only be used with models containing a Powerbrush socket, see "Guide to the Vacuum Cleaner".

Powerbrush SEB 228 (EB03) / SEB 217-3 (EB02)

The Powerbrush is particularly suitable for cleaning and restoring crushed carpet pile of wall to wall carpeting and floor coverings subject to hard wear, especially in high traffic areas.

The Powerbrush can also be used on smooth floor surfaces.

In order to use the Powerbrush with this vacuum you will also need:

- Electro telescopic wand SET 220
- Electro suction hose SES 116.

Turbobrush Turbo Comfort - 3

The Turbobrush is intended for cleaning short to medium pile carpeting. It is mechanically driven by the suction power of the vacuum. In addition to dust particles it also removes stubbornly adhered threads, hairs, fluff, etc.

Observe the cleaning instructions of the floor manufacturer.

Hand Turbobrush Turbo Mini

The Hand Turbobrush is intended for vacuuming upholstery, mattresses, car seats, carpeted stairs and other areas inaccessible with the standard Turbobrush.

Floor brush Hardfloor - 3

To vacuum sturdy hard floors, e.g. tiles and stone floors.

Floor brush Parquet - 3

Special brush with natural bristles intended for cleaning parquet and laminate floors, especially those susceptible to scratching.

The parquet floor brush can be cleaned with the vacuum cleaner using the crevice nozzle if necessary.

Floor brush Parquet Twister

For cleaning all hard flooring, e.g. parquet and tiles. Especially suitable for vacuuming niches and tight spaces.

Floor brush Parquet Twister XL

This floor brush is 3 ½" (90 mm) wider than the **Parquet Twister** floor brush and has a swivel joint making it ideal for cleaning larger floor areas.

Universal brush

For dusting books, shelves, etc.

Flexible crevice tool SFD 20 22" (560 mm)

Extra large tool for vacuuming difficult to reach areas.

Technical Service

After sales service

In the event of a fault which you cannot fix yourself please contact the Miele Service Department at the phone number listed on the back of this booklet.

- Please quote the model type of your appliance.

This can be found on the data plate on the bottom of the vacuum.

Disposal of packing materials

The cardboard box and packing materials protect the appliance during shipping.

Ensure that any plastic wrappings, bags, etc. are disposed of safely and kept out of the reach of children. These items pose a danger of suffocation.

Disposing of the dustbag and filters

These are made from environmentally friendly materials and can be placed in the regular household garbage. However, if the dustbag contains prohibited waste, contact your local waste collection center for disposal instructions.

Please have the model and serial number of your appliance available before contacting Technical Service.



U.S.A. Miele, Inc.

National Headquarters

9 Independence Way
Princeton, NJ 08540
Phone: 800-843-7231
609-419-9898
Fax: 609-419-4298
www.mieleusa.com

Technical Service & Support Nationwide

Phone: 800-999-1360
Fax: 888-586-8056

TechnicalService@mieleusa.com

Canada Miele Limited

Headquarters and Showroom

161 Four Valley Drive
Vaughan, ON L4K 4V8
Phone: 800-643-5381
905-660-9936
Fax: 905-532-2290
www.miele.ca
professional@miele.ca
(commercial enquiries)

MieleCare National Service

Phone: 800-565-6435
905-532-2272
Fax: 905-532-2292
customercare@miele.ca
(general and technical enquiries)

Germany

Miele & Cie. KG
Carl-Miele-Straße 29
33332 Gütersloh

Alteration rights reserved / S2 without electro accessories / xx10

M.-Nr. xx xxx xxx / 00



INFORMATION IS SUBJECT TO CHANGE. PLEASE REFER TO OUR WEBSITE TO OBTAIN THE MOST CURRENT PRODUCT SPECIFICATIONS, TECHNICAL & WARRANTY INFORMATION.

Download from Www.Somanuals.com. All Manuals Search And Download.

Free Manuals Download Website

<http://myh66.com>

<http://usermanuals.us>

<http://www.somanuals.com>

<http://www.4manuals.cc>

<http://www.manual-lib.com>

<http://www.404manual.com>

<http://www.luxmanual.com>

<http://aubethermostatmanual.com>

Golf course search by state

<http://golfingnear.com>

Email search by domain

<http://emailbydomain.com>

Auto manuals search

<http://auto.somanuals.com>

TV manuals search

<http://tv.somanuals.com>