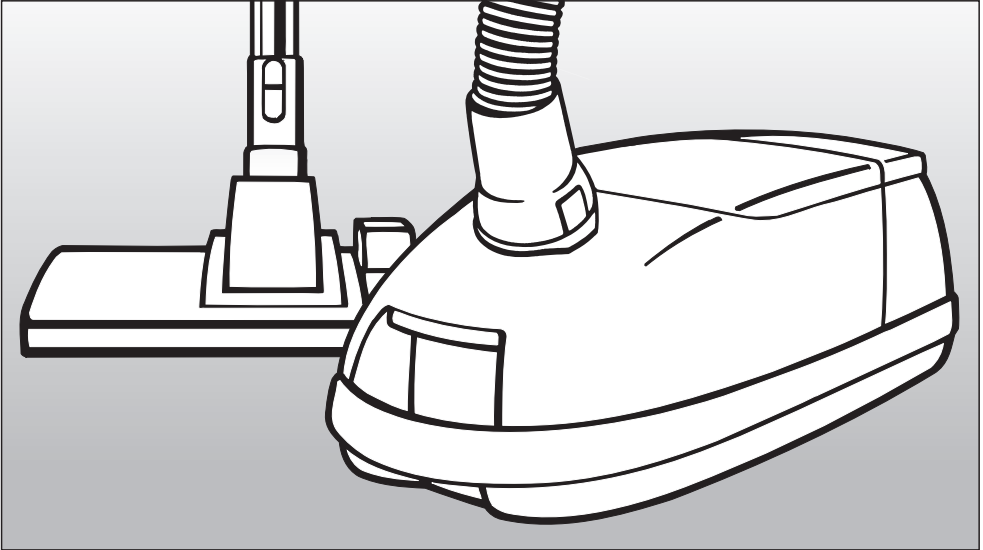


Operating instructions



Vacuum cleaners S 360 - S 388

To avoid the risk of accidents or damage to the appliance, it is **essential** to read these instructions before using it for the first time.

These operating instructions apply to standard models S 360 - S 388 as well as to other S 300 series vacuum cleaners which are distinguished by names rather than numbers.

en - GB

M.-Nr. 07 276 450

Contents

Caring for the environment	3
Description of the appliance	4
Warning and Safety instructions	6
Preparing for use	9
Accessories supplied	12
Using the accessories	13
Floorhead	13
Crevice nozzle	13
Dusting brush	14
Upholstery nozzle	14
Operation	15
Unwinding and rewinding the mains cable	15
Switching on and off	16
Regulating the suction	17
Opening the air inlet valve	17
Park system	18
Transportation and storage	18
Dustbag change indicator	19
Maintenance and care	20
When to change the dustbag and filters	20
Purchasing new dustbags and filters	22
Ordering the correct dustbags and filters	22
To replace the dustbag and filters	23
Changing the thread lifters	25
Cleaning and care	26
Problem solving guide / After sales service	27
Optional accessories	28
Electrical connection for the UK	34

Disposal of packing material

The transport and protective packing has been selected from materials which are environmentally friendly for disposal and can normally be recycled.

Ensure that any plastic, wrappings, bags etc. are disposed of safely and kept out of the reach of babies and young children. Danger of suffocation.

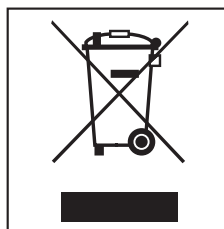
Rather than just throwing these materials away, please recycle them.

Disposing of the dustbag and filters

These are made from environmentally friendly materials, and can be disposed of with the normal household waste, as long as they have been used exclusively for general household dust.

Disposal of your old appliance

Electrical and electronic appliances often contain materials which, if handled or disposed of incorrectly, could be potentially hazardous to human health and to the environment. They are, however, essential for the correct functioning of your appliance. Please do not therefore dispose of it with your household waste.



Please dispose of it at your local community waste collection / recycling centre or ask your Dealer for advice. Ensure that it presents no danger to children while being stored for disposal.

Description of the appliance



Some models are supplied with a Miele Electrobrush or Turbobrush as standard (not illustrated). These brushes are supplied with their own operating instructions.

Description of the appliance

- ① Mains cable with plug (plug varies depending on country)
- ② Park system
- ③ Cable rewind
- ④ Suction power selector *
- ⑤ Overheating warning light *
- ⑥ On / Off switch
- ⑦ Exhaust filter *
- ⑧ Dustbag change indicator
- ⑨ Release button for accessories compartment
- ⑩ Hand piece
- ⑪ Air inlet valve
- ⑫ Locking button
- ⑬ Telescopic tube *
- ⑭ Hose connector
- ⑮ Dust compartment lid catch
- ⑯ Slide control *
- ⑰ Dust compartment filter (for motor protection)
- ⑱ Dustbag
- ⑲ Socket for Electro brush *
- ⑳ Floorhead
- ㉑ Carrying handle
- ㉒ Parking attachment

The illustration shows the maximum number of features available on these Miele vacuum cleaners.

Those features marked * depend on the model and may vary or not be available on your model.

Warning and Safety instructions

This vacuum cleaner meets statutory safety requirements. Improper use can, however, lead to personal injury and material damage.

To avoid the risk of accidents and damage to the vacuum cleaner, read these instructions carefully before using it for the first time. They contain important notes on its safety, operation and maintenance.

Keep these instructions in a safe place and ensure new users are familiar with the content. Pass them on to any future owner.

Always disconnect the vacuum cleaner from the mains supply when you have finished using it, as well as for maintenance work and cleaning. Switch it off at the wall socket and unplug it. If using the ACCU NOVA powerbrush, switch this off as well.

Correct application

▶ This vacuum cleaner must only be used for domestic household purposes to vacuum dry floor surfaces. Do not use on people or animals.

Any other usage, modification or alteration is at the owner's risk and could be dangerous.

The manufacturer cannot be held liable for damage resulting from improper or incorrect use of the appliance.

▶ This vacuum cleaner is not intended for use by persons (including children) with reduced physical, sensory or mental capabilities, or lack of experience or knowledge, unless they are supervised whilst using it or have been shown how to use it correctly by a person responsible for their safety.

Safety with children

▶ This vacuum cleaner is not a toy! To avoid the risk of injury do, keep children well away, and do not allow them to play with it or to use the controls. Supervise children whilst you are using it.

▶ Older children may only use the vacuum cleaner if its operation has been clearly explained to them, and they are able to use it safely, recognising the dangers of incorrect use.

Technical safety

▶ Ensure that the connection data on the data plate (voltage and frequency) match the mains electricity supply. It is essential that they match to avoid damage to the appliance.

▶ The plug must be fitted with a 13 A fuse (UK).

▶ Before using the vacuum cleaner, check for any signs of damage. Do not use a damaged appliance: it could be dangerous.

▶ The socket on the vacuum cleaner (depending on model) must only be used for the Miele Electrobrush specified for use with this appliance.

Warning and Safety instructions

▶ There is a metal inlay underneath the handle which is designed to avoid the unpleasant effects of electrostatic discharges. Please make sure that you keep your hand in constant contact with this metal strip during vacuuming.

▶ Do not pull or carry the vacuum cleaner by the cable and be careful not to damage the cable when withdrawing the plug from the socket.

- Keep the cable away from sharp edges and do not let it be squashed, for example, under a door.
- Avoid running the vacuum cleaner over the cable.

This could damage the cable, plug or socket and pose a safety hazard. The appliance must not be used if any of these have suffered damage.

▶ If the cable is damaged it must be replaced together with a complete cable rewind. For safety reasons this must only be done by the Miele Service Department or a Miele authorised service technician.

▶ While the vacuum cleaner is under guarantee, repairs should only be undertaken by a service technician authorised by Miele. Otherwise the guarantee will be invalidated.

▶ Repairs should only be carried out by a Miele authorised service technician. Repairs and other work by unqualified persons could be dangerous. The manufacturer cannot be held liable for unauthorised work.

▶ It is important to switch the vacuum cleaner off before changing over accessories and floorheads, especially an Electro- or Turbobrush.

▶ Do not let the vacuum cleaner get wet. Clean only with a dry cloth or slightly damp cloth when disconnected from the mains supply. If moisture gets into the appliance, there is a risk of electric shock.

Correct use

▶ To avoid the risk of damage, do not use the vacuum cleaner without the dustbag, dust compartment filter and exhaust filter in place. Otherwise it could get damaged.

▶ If a dustbag is not inserted, the dust compartment cover does not normally close. Do not force it.

▶ Do not vacuum up any water, liquid or damp dirt. This will cause major faults and could seriously impair the functioning and electrical safety of the appliance. Wait until any freshly cleaned or shampooed carpets or floor coverings are completely dry before attempting to vacuum.

▶ Do not vacuum toner dust. Toner, such as that used in printers and photocopiers, can conduct electricity. The filter system in the vacuum cleaner may not filter it completely, causing the toner to be blown back into the room by the fan.

▶ Do not vacuum up anything which has been burning or is still glowing e.g. cigarettes, ashes or coal, whether glowing or apparently extinguished. The cleaner might catch fire.

Warning and Safety instructions

- ▶ Do not vacuum up any inflammable or combustible liquids or gases and do not vacuum in areas where such substances are stored. The cleaner might explode.
- ▶ Do not vacuum up items which are heavy, hard or have sharp edges. They could cause a blockage and damage the appliance.
- ▶ Floor attachments, accessories and tubes must not be used at head level to avoid the risk of injury, e.g. to eyes and ears.
- ▶ Monitor the change dustbag indicator and change the dustbag if necessary. Check the exhaust and dust compartment filters at the same time and change them too if necessary. A full bag or blocked filter will reduce the suction power of the cleaner. A temperature limiter switches the vacuum cleaner off automatically if it gets too hot. See "Problem solving guide".
- ▶ To avoid the risk of injury when vacuuming with a Miele Electrobrush or Turbobrush, do not touch the rotating roller brush.
- ▶ It is not advisable to vacuum directly with the handle, i.e. without an accessory attached as the rim could get damaged and you could hurt yourself on sharp edges.
- ▶ Miele vacuum cleaner bags are disposable and intended to be used only once. Do not attempt to re-use. Blocked pores reduce the efficiency of the cleaner.
- ▶ To ensure safety only use genuine Miele dustbags, filters and accessories. This will ensure optimum performance of the appliance throughout its life.
- ▶ Do not use aroma capsules if your cleaner is fitted with an ACTIVE HEPA filter or an Active Air Clean filter. The active charcoal layer in the filter will absorb the aroma from the capsules rendering them ineffective.

Accessories

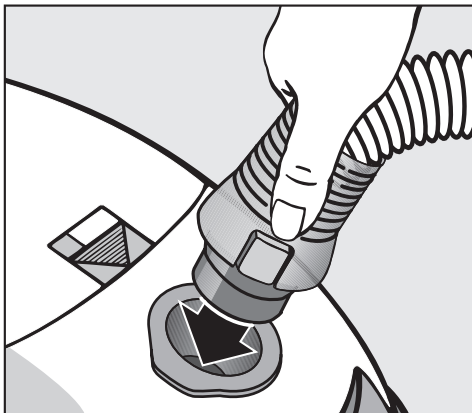
Miele accessories including floorheads, filters and dustbags are available to order from your Dealer, the Miele Spare Parts Department or via the internet on www.miele-shop.com.

The manufacturer cannot be held liable for damage caused by non-compliance with these Warning and Safety instructions.

- ▶ The Miele Electrobrush is a motor driven accessory for use only with Miele vacuum cleaners. The cleaner must not be used with an electrobrush produced by another manufacturer.

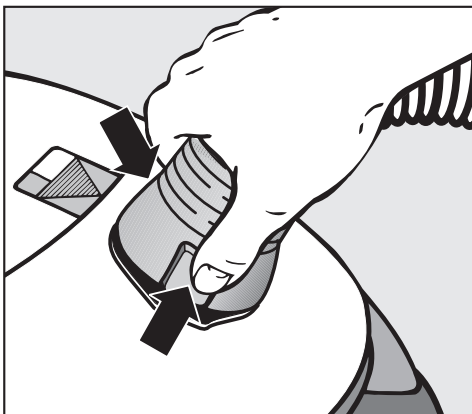
Attaching the suction hose

- Insert the hose connector into the suction socket until it clicks into position.



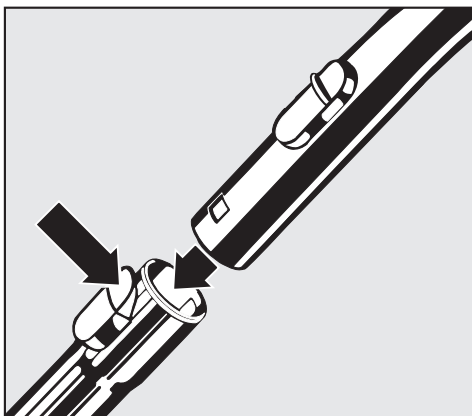
To remove the suction hose from the cleaner

- Press the release buttons at the side of the hose connector and lift the hose from the socket.



Connecting the suction hose and the suction tube

- Fit the hand piece of the suction hose into the suction tube and turn clockwise or anti-clockwise until they lock together with a click.
- To release the hand piece from the suction tube press the locking button (see arrow) and pull the hand piece away from the suction tube.

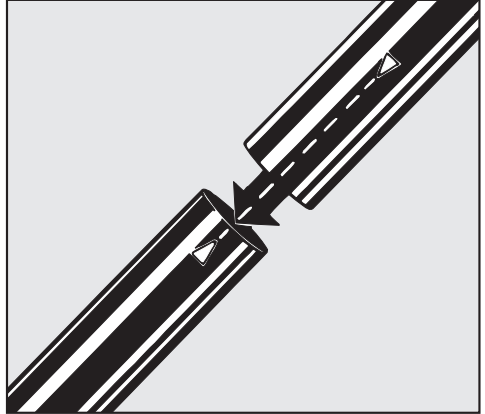


Preparing for use

Connecting the suction tube sections

(depending on model)

Both sections of the suction tube have locating arrows marked on them. When connecting the two sections, ensure that the two arrows point towards each other.

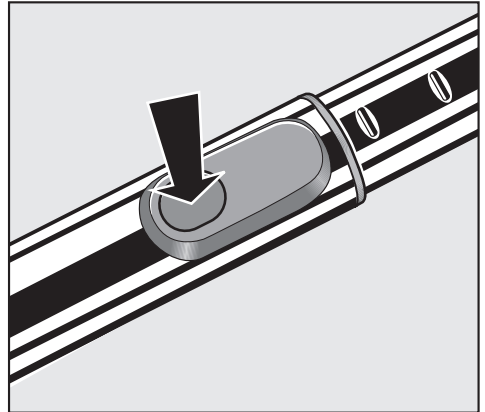


Adjusting the telescopic suction tube

(depending on model)

One part of the telescopic tube is packed inside the other and can be adjusted to suit your height for comfortable vacuum cleaning.

- Press the telescopic tube release button (see arrow) to release the tubes and adjust to the required height.



Attaching the floorhead

- Push the suction tube into the floorhead and turn it clockwise or anti-clockwise until it clicks into position.
- To release the floorhead from the suction tube, press the locking button (see arrow) and pull the suction tube away from the floorhead.

The floorhead can be used for all normal cleaning of carpets and rugs. It can also be used with the brush protruding to vacuum hard flooring. For hard flooring, such as stone and parquet, we recommend using one of the special Miele floor brushes (see "Optional accessories").

It is also important to observe the flooring manufacturer's cleaning and care instructions.

Vacuum carpets and rugs with the brush retracted:

- Press the foot control .

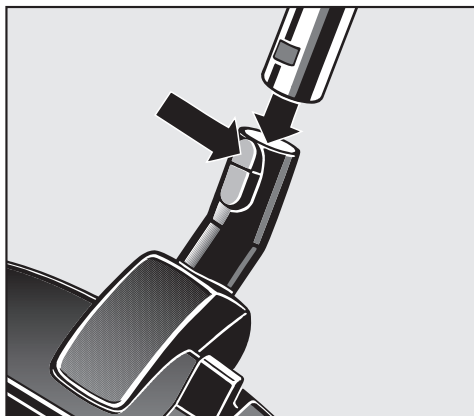
Clean hard flooring which is not susceptible to scratching with the brush protruding:

- Press the foot control .

Electrobrush / Turbobrush

Some models may be supplied as standard with an Electrobrush or a Turbobrush in addition to the normal floorhead (see "Optional accessories").

Please refer to the separate operating instructions supplied with these brushes for instructions on use and maintenance.



Accessories supplied

Other tools, in addition to the floorhead(s), are supplied with the vacuum cleaner to help deal with various types of cleaning.

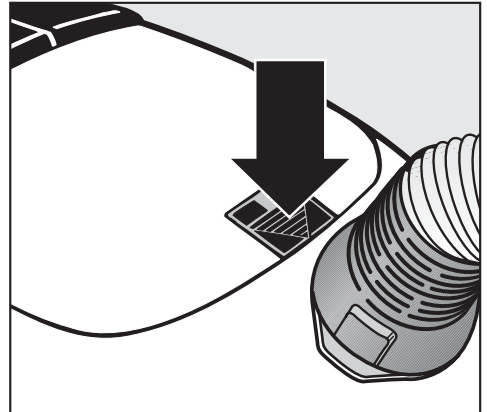
- Crevice nozzle
- Dusting brush
- Upholstery nozzle

These tools are stored in the special compartment in the vacuum cleaner and can be put back after use.

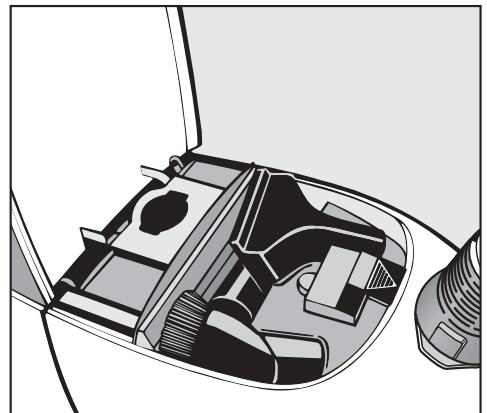


To open the accessories compartment

- Press the release button and the lid will open.



- Take out the accessory you require.
- Press down firmly on the lid to close it.



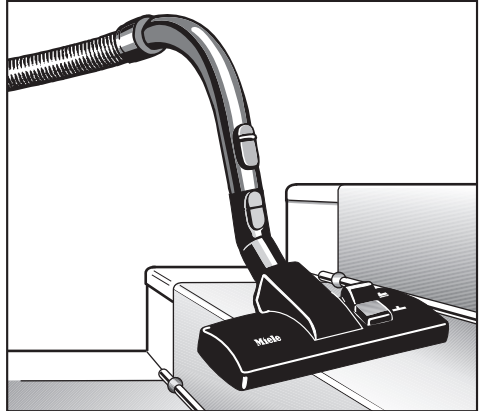
Using the accessories

The different tools can either be fitted to the hand-piece or, as required, to the suction tube.

Floorhead

For general use and also for cleaning stairs.

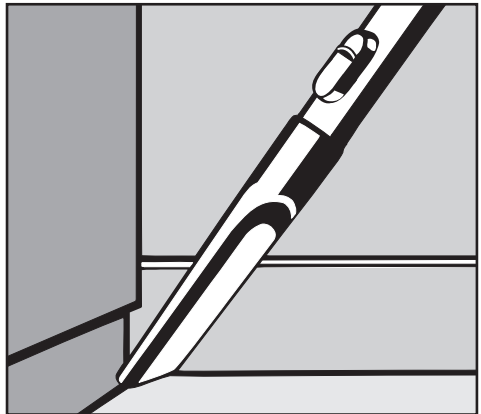
For safety reasons when vacuuming stairs it is best to start at the bottom of the stairs and move upwards.



Crevice nozzle

(depending on model)

For cleaning in folds, crevices or corners.



Using the accessories

Dusting brush

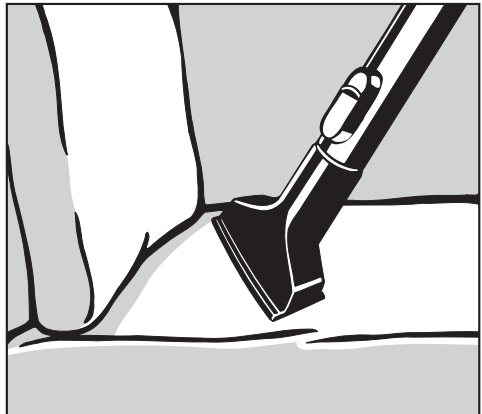
For cleaning skirting boards, ornate or carved articles, etc.

The head of the dusting brush can be swivelled to attain the best cleaning position.



Upholstery nozzle

For cleaning upholstery, mattresses, cushions, curtains, covers etc.

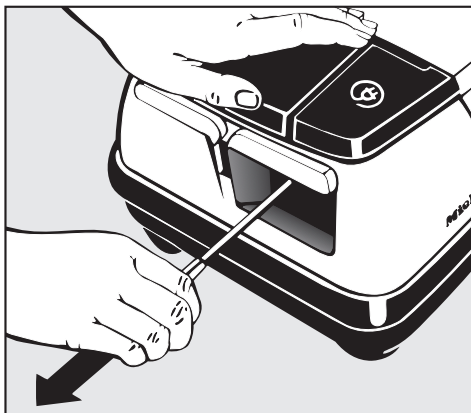


Unwinding and rewinding the mains cable

Unwinding

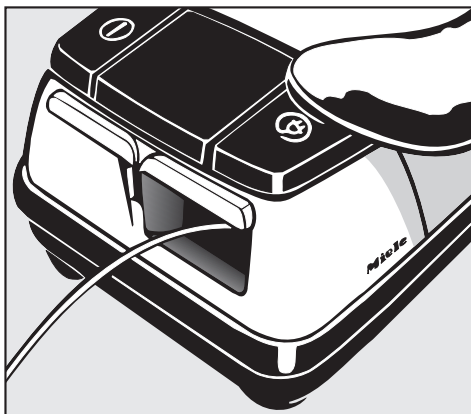
- Hold the plug and unwind cable to the required length (max. approx. 5.5 metres).

Warning: If vacuuming for longer than 30 minutes, the mains cable must be pulled out to its fullest extent. Otherwise there is a danger of overheating and damage.



Rewinding

- Switch off at the wall socket and remove the plug.
- Press the rewind switch. The cable will rewind automatically.



Operation

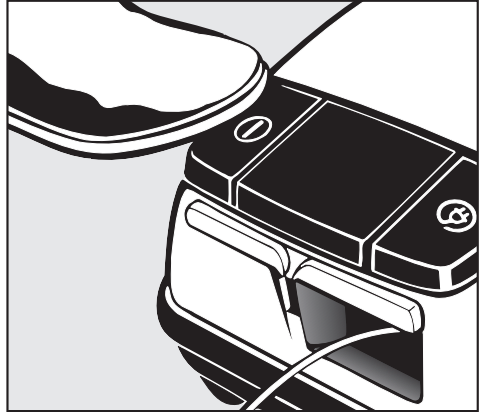
Switching on and off

- Press the On-Off switch.

Vacuuming

- When vacuuming pull the cleaner behind you on its wheels. You can stand it upright for vacuuming stairs and curtains etc.


Warning: When vacuuming especially fine dust, e.g. sawdust, sand, plaster, flour, talcum powder etc., electrostatic charges build up naturally. Under certain conditions these charges will be released. To avoid the unpleasant effects of these discharges, a metal inlay has been incorporated into the underside of the handle. Please make sure that you keep your hand in constant contact with this metal strip during vacuuming.



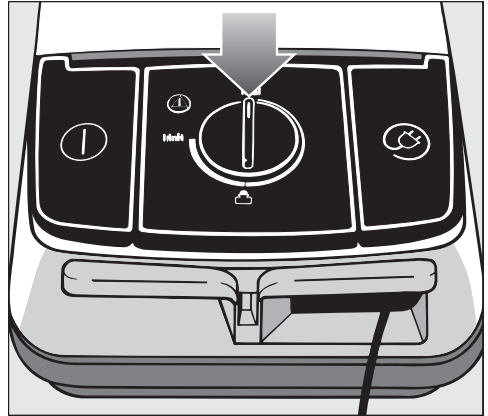
Regulating the suction

(for models with a rotary suction power selector)

The suction power can be regulated to suit the type of flooring. The higher the setting the more powerful the suction. Reducing the suction power reduces the amount of effort required to manoeuvre the floorhead. Setting the suction power selector according to the degree of soiling and type of flooring being cleaned, will save energy.

Smooth or lightly soiled flooring is easily cleaned using the Economy  setting. Fitted carpets and thick pile carpets require the most powerful setting to remove ingrained soiling.

- Turn the rotary selector manually to the suction power setting you require.

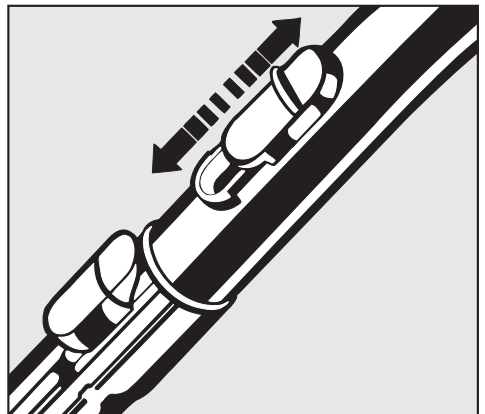


Opening the air inlet valve

Opening the air inlet valve reduces the suction power quickly for brief periods, e.g. to prevent damage to the fringes of a rug when moving from cleaning a carpeted floor to a rug, or to prevent something being vacuumed up by mistake.

- Open the air inlet valve far enough to reduce the suction power.

The floorhead will be easier to manoeuvre. Close the valve when you are ready to use full power again.

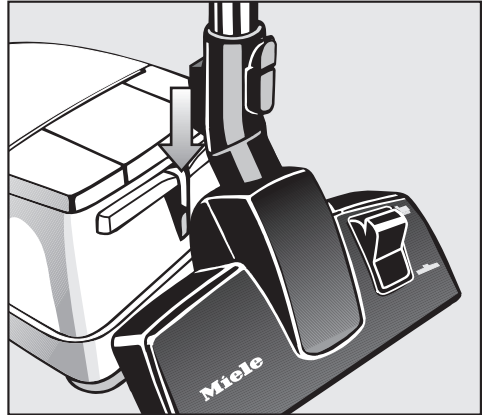


Operation

Park system

A Park system has been designed for conveniently parking the vacuum cleaner during pauses.

- Fit the floorhead into the parking attachment at the back the vacuum cleaner.



Transportation and storage

- Stand the vacuum cleaner upright when it is not being used and during storage.
- Fit the floorhead into the parking attachment on the side of the vacuum cleaner.

This makes the cleaner easier to carry or store.



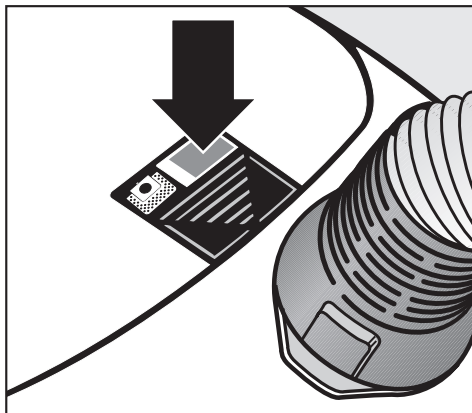
Dustbag change indicator

Change the dustbag when the colour marker in the dustbag change indicator fills the display.

Dustbags are designed for single use only.
Do not attempt to re-use them as suction would be reduced.

Checking the dustbag change indicator

- Attach the standard floorhead to the suction tube. Do not use any of the other floorheads or attachments as they will cause the dustbag change indicator to give a false reading.
- Switch the vacuum cleaner on and turn the rotary selector (if applicable) to the highest power setting.
- Lift the floorhead off the floor a little. If the red marker completely fills the dustbag change indicator you should replace the dustbag with a new one.



How the dustbag change indicator works

The indicator is designed to measure the air permeability of a dustbag containing common household dust. Normal household dust would contain a mixture of dust, hair, carpet fluff, threads, grit etc.

However, if the vacuum cleaner has been used to suck up fine dust, such as plaster, brick dust, cement or flour, the pores of the dustbag become blocked very quickly. This affects the air permeability of the bag and the marker will indicate that the bag is "full" even when it is not. If this happens you must still change the dustbag because suction power will be greatly reduced by blocked pores in the dustbag.

If, on the other hand, you have vacuumed up a lot of hair and carpet fluff which typically contains a lot of air the indicator may fail to react even though the bag is full. You should still change it! Both these extremes can occur.

Maintenance and care

Warning: Always disconnect the vacuum cleaner from the electrical supply for maintenance work and for cleaning. Switch off at the wall socket and remove the plug. If using the ACCU NOVA floorhead, switch this off as well.

The Miele filter system consists of three filters which must be replaced from time to time to ensure that your cleaner performs efficiently.

- Dustbag
- Exhaust filter
- Dust compartment filter (for motor protection)

Warning: To ensure that your vacuum cleaner functions correctly, cleans hygienically and gives you many years of trouble-free operation please only use genuine Miele approved dustbags and filters. The use of non-Miele approved dustbags and accessories could invalidate your warranty and cause damage to your product.

When to change the dustbag and filters

Dustbag

Change the dustbag when the colour marker in the dustbag change indicator fills the display.

Exhaust filter

Depending on model your vacuum cleaner will be fitted as standard with one of the following exhaust filters:

1. SUPER air clean filter
2. ACTIVE air clean filter or
3. ACTIVE HEPA filter

The type of filter in your vacuum cleaner is marked on the filter itself.

SUPER air clean filter

Replace the SUPER air clean filter every time you start a new packet of Miele dustbags. A SUPER air clean filter is supplied with every packet of Miele dustbags.

ACTIVE air clean filter

If your vacuum cleaner is fitted with an ACTIVE air clean filter and you wish to go on using this type of filter make sure that you purchase a replacement in good time.

The ACTIVE air clean filter is a special active charcoal filter which contains charcoal to absorb odours from the dust collected in the dustbag. It helps to prevent a build-up of odours.

Do not use aroma capsules in your cleaner if you use this filter. The charcoal in the filter will absorb their aroma rendering them ineffective.

There is no difference in filtration levels between the ACTIVE air clean filter and the SUPER air clean filter.

ACTIVE HEPA filter

If your vacuum cleaner is fitted with an ACTIVE HEPA filter and you wish to go on using this type of filter make sure that you purchase a replacement in good time.

The ACTIVE HEPA filter is a special combi filter which contains active charcoal to absorb odours from the dust collected in the dustbag. It helps to prevent a build-up of odours. It is also a particle filter conforming to EN 1822 HEPA Classification 12 and is able to filter out very fine particles and micro-organisms. Vacuum cleaners equipped with this exhaust filter are particularly suitable for allergy sufferers and those concerned with a high level of hygiene. Do not use aroma capsules in your cleaner if you use this filter. The charcoal in the filter will absorb their aroma rendering them ineffective.

The ACTIVE air clean and ACTIVE HEPA filters should be replaced at least once a year, and more often if obviously soiled or no longer effective. We suggest that you mark the date you start using it on the label. If you do not have one of these filters available you can use the SUPER air clean filter supplied with every packet of Miele dustbags instead. To use the SUPER air clean filter you will have to fit a filter frame* in place of the ACTIVE air clean or ACTIVE HEPA filter and fit the SUPER air clean filter underneath the filter frame.

* Filter frame - see "Optional accessories"

Maintenance and care

Dust compartment filter (for motor protection)

Replace the dust compartment filter every time you start a new packet of Miele dustbags. A dust compartment filter is supplied with every packet of Miele dustbags.

Purchasing new dustbags and filters

Replacement dustbags and filters can be obtained from your local Miele retailer, the Miele Spare Parts Department (see back cover for contact details) or via the internet on www.miele-shop.com.

Ordering the correct dustbags and filters

When ordering dustbags for this vacuum cleaner ask for bags with the code **F/J/M**.



A "SUPER air clean exhaust" filter and a dust compartment filter are supplied with every packet of Miele dustbags.

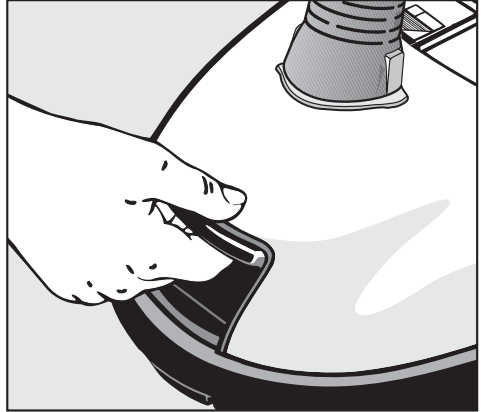
If you wish to purchase exhaust filters or dust compartment filters separately, please quote the model number of your appliance when ordering to ensure you get the correct items. You can replace the exhaust filter supplied with the vacuum cleaner with one of the other Miele exhaust filters if you wish (see "Optional accessories").

N.B. If an ACTIVE air clean filter or an ACTIVE HEPA filter is used instead of the SUPER air clean filter, you will need to remove the filter frame from the cleaner.

To replace the dustbag and filters

Open the dust compartment lid

- Press the release button for the dust compartment lid and raise the lid as far as it will go.



To replace the dustbag

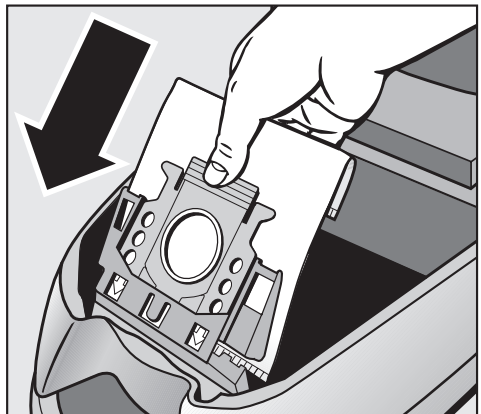
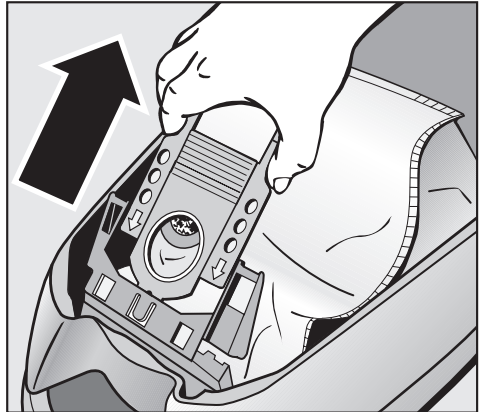
- To remove the dustbag hold the bag by the collar and pull it out of its holder.

The dustbag has a closing flap which closes automatically when the dustbag is removed to prevent any dust escaping.

It can then be disposed of with the normal household waste as long as it has only been used for vacuuming up normal household dust.

Do not unfold the new bag when you take it out of the packet. This way it will not get trapped when you shut the dust compartment lid again.

- To insert a new dustbag, push the collar securely into the frame as far as it will go. Otherwise you will not be able to shut the lid.
- Close the dust compartment lid firmly.

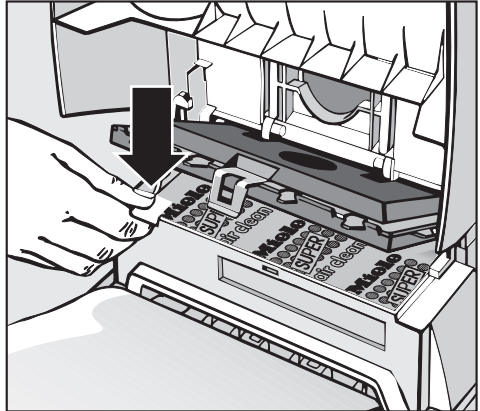


Maintenance and care

Do not use more than one exhaust filter at a time.

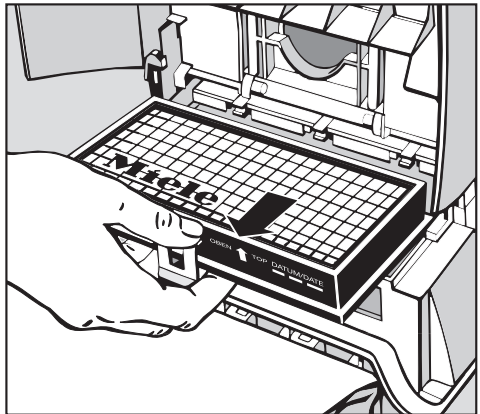
Replacing the SUPER air clean filter

- Open the dust compartment lid.
- Unclip the filter frame and raise it upwards.
- Take hold of the used SUPER air clean filter by the clean, unsoiled section (see arrow) and take it out.
- Replace it with a new SUPER air clean filter. It can be inserted either way up.
- Lower and secure the filter frame back into position.



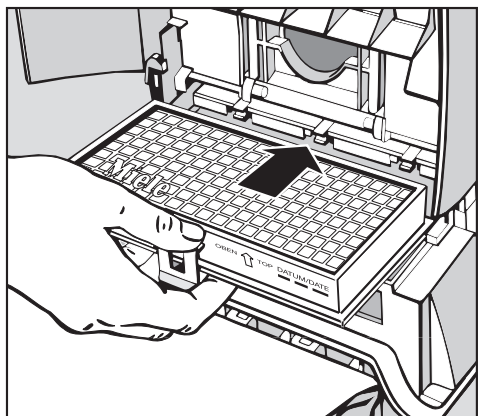
Replacing the ACTIVE air clean filter

- Open the dust compartment lid.
- Unclip the used ACTIVE air clean filter and take it out.
- Place the new filter into position and press it in so that it engages at the back and then close the catch.



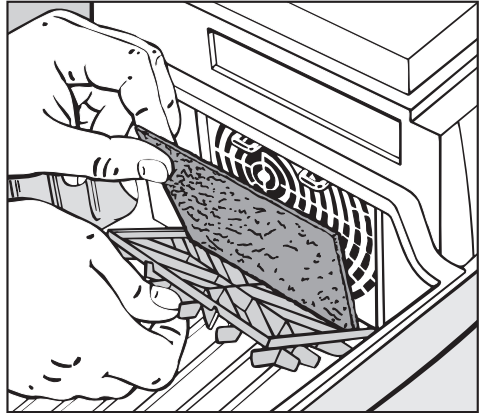
Replacing the ACTIVE HEPA filter

- Open the dust compartment lid.
- Unclip the used ACTIVE HEPA filter and take it out.
- Place the new filter into position and press it in so that it engages at the back and then close the catch.



Dust compartment filter (for motor protection)

- Open the dust compartment lid.
- Unclip the filter frame, remove the old filter and replace with a new one.
- Close the filter frame.

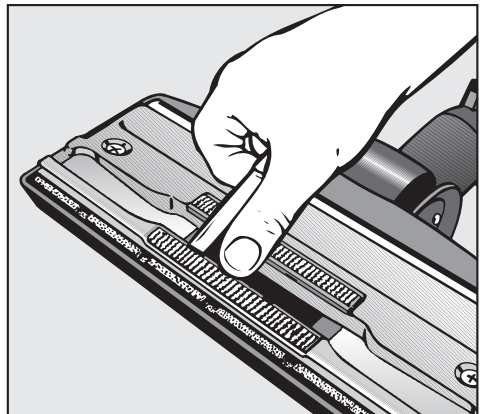


Changing the thread lifters

The thread lifters on the suction inlet to the floorhead and upholstery nozzle can be replaced.

Check them from time to time and replace them if the pile has worn down.

- Use a knife or similar object to remove them from the slots.
- Fit the new thread lifters.

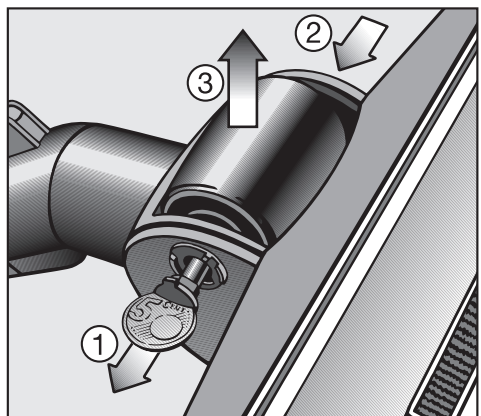


If thread or hair has wound around the bearing on the floorhead roller

- ① Release the bearing (with bayonet fitting) using a coin.
- ② Press the bearing out, and remove.
- ③ Take out the roller.

Remove any threads and hair, replace the roller and refit the bearing.

Replacement parts are available from your Miele dealer or from the Miele Spare Parts Department (see back cover for contact details).



Cleaning and care

Warning: Always disconnect the vacuum cleaner from the electrical supply for maintenance work and for cleaning. Switch off at the wall socket and remove the plug (pull on the plug, not the cable). If using the ACCU NOVA floorhead, switch this off as well.

Vacuum cleaner and accessories

External surfaces of the vacuum cleaner and of the accessories can be cleaned with a dry cloth or a slightly damp cloth or with a proprietary cleaner suitable for plastic.

E-Cloth

A microfibre "E-Cloth" is available from Miele which is suitable for cleaning surfaces such as stainless steel, glass, plastic and chrome without the use of chemicals. It can be washed 300 times.


Warning: Do not use abrasive cleaners, glass cleaners or all-purpose cleaners. Because of their chemical composition they could cause serious damage to plastic components.

Dust compartment

The dust compartment can, if necessary, be cleaned using a **dry** duster, brush or, if available, a second vacuum cleaner to vacuum the dust out.

Warning: Do not let the vacuum cleaner get wet. If moisture gets into the appliance there is a risk of electric shock.

The vacuum cleaner has switched itself off automatically

A temperature limiter switches the vacuum cleaner off automatically if it gets too hot. Some models also have an overheating warning light  which comes on to let you know that your cleaner has overheated.

Overheating can occur if, for instance, large articles block the suction tube or the dustbag is full or contains particles of fine dust. A heavily soiled exhaust or dust compartment filter can also be the cause of overheating. Switch off the vacuum cleaner using the On-Off switch.

After removing the cause, wait for a period of approx. 20 - 30 minutes, to allow the vacuum cleaner to cool down. It can then be switched on again.

After sales service

In the event of a fault that you cannot easily remedy, please contact

– your Miele Dealer

or

– the Miele Customer Contact Centre
(see back cover for address).

Please note that telephone calls may be monitored and recorded to improve our service.



Optional accessories

Miele accessories including floorheads, filters and dustbags are available to order from your Dealer, the Miele Spare Parts Department or via the internet on www.miele-shop.com.

Certain models are supplied as standard with one or more of the following accessories:

Important: please observe the flooring manufacturer's cleaning and care instructions.

ACCU NOVA floorhead

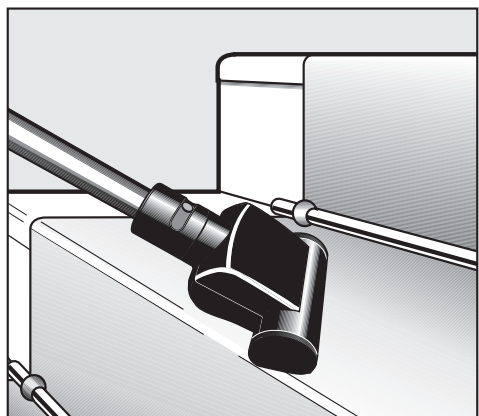
The ACCU NOVA floorhead is driven by a separate motor, and is particularly suitable for the intensive cleaning of heavily soiled textile floor surfaces. It is very effective at removing deep seated dirt and preventing areas of frequent use being trodden into a path.

Turbobrush

The Turbobrush is particularly suitable for vacuuming cut pile carpeting. The brush is operated by the suction power of the vacuum cleaner. It has a rotating brush and is very effective at picking up thread, hairs and fluff.

Hand-held Turbobrush

The hand-held Turbobrush is intended for vacuuming upholstery, mattresses, car seats, carpeted stairs and other areas inaccessible to the standard Turbobrush.



Hard floor brush

This brush is designed for use on hard flooring such as tiled or stone floors.



Parquet floor brush

This brush has natural bristles and is designed for use on parquet floors and other surfaces which are susceptible to scratching such as laminate floor.

The parquet floor brush can be cleaned with the vacuum cleaner using the crevice nozzle if necessary.



ALLERGOTEC floorhead

The level of cleanliness of the floor shows in a colour "traffic light" display when vacuuming. The ALLERGOTEC floorhead is designed specially for the daily hygienic cleaning of all floor surfaces.



Optional accessories

Dusting brush with natural bristles

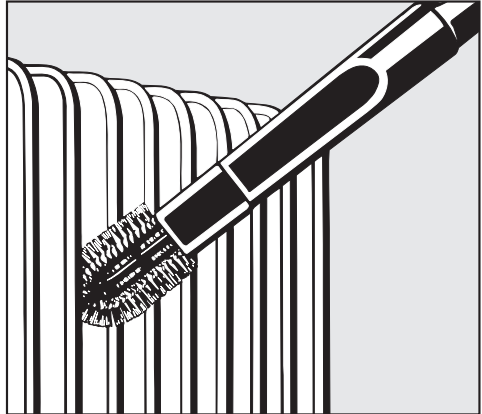
This brush is suitable for particularly delicate objects.



Radiator brush

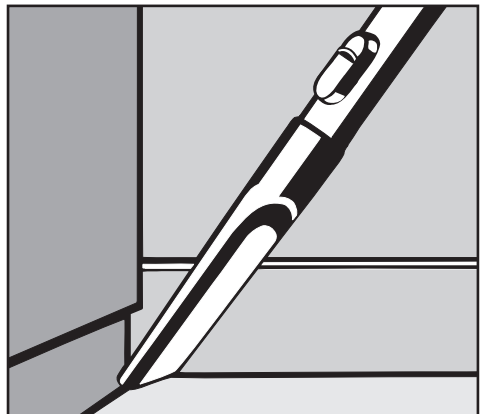
For cleaning radiators, narrow shelves and crevices.

- Attach the radiator brush to the crevice nozzle.



Crevice nozzle (300 mm)

For cleaning in folds, crevices or corners.



Mattress nozzle

For cleaning upholstery, mattresses, cushions, curtains, covers etc.



Universal brush

For dusting books, shelves, etc.

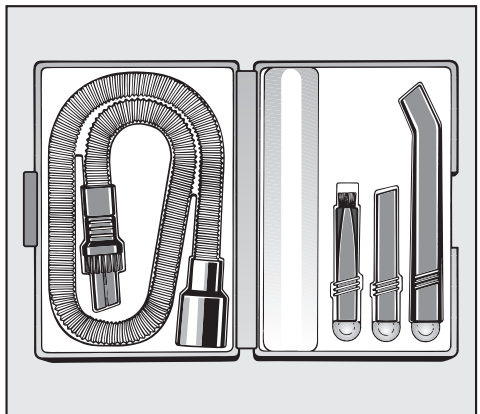


MicroSet

This set is specially designed for cleaning small objects and difficult to reach areas (such as PC keyboards, stereo equipment, intricately carved furniture and ornaments, models etc).

It consists of:

- Micro-hose with combination nozzle (crevice nozzle and dusting brush)
- Micro-dusting brush
- Micro-crevice nozzle
- Angled extension



Optional accessories

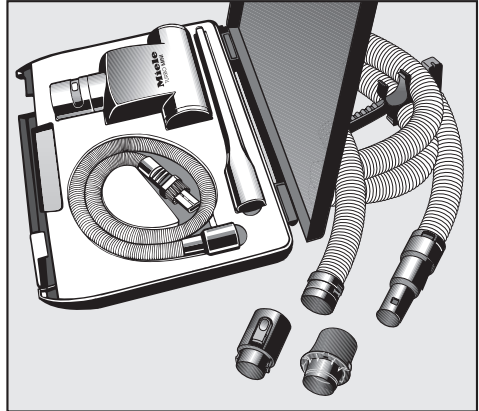
CarClean Set Plus

The CarClean Set Plus has been designed as an accessory for Miele cylinder vacuum cleaners for valeting the interior of cars.

It consists of:

- Hand-held Turbobrush
- Micro-hose with combination nozzle (crevice nozzle and dusting brush)
- Crevice nozzle (300 mm)

These are supplied in a carry case together with a 3 m long suction hose with hose clip.



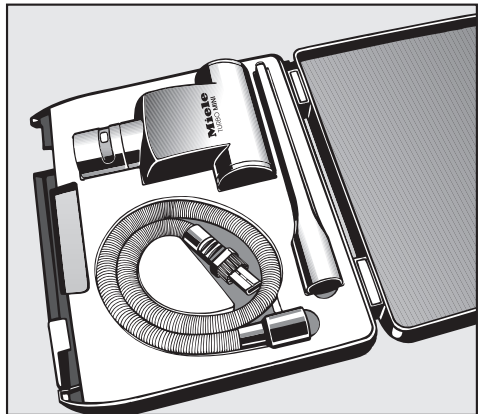
CarClean Set Vario

The CarClean Set Vario has been designed as an accessory for Miele and non-Miele cylinder vacuum cleaners for valeting the interior of cars.

It consists of:

- Hand-held Turbobrush
- Micro-hose with combination nozzle (crevice nozzle and dusting brush)
- Crevice nozzle (300 mm)
- Adapter for connecting the accessories to a non-Miele vacuum cleaner.

These are supplied in a carry case. This set does not include the 3 m long suction hose with hose clip.

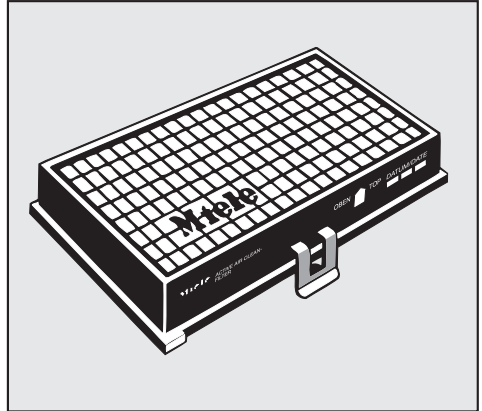


Filter frame

The filter frame is required if you wish to fit a SUPER air clean filter instead of an ACTIVE air clean filter or an ACTIVE HEPA filter.

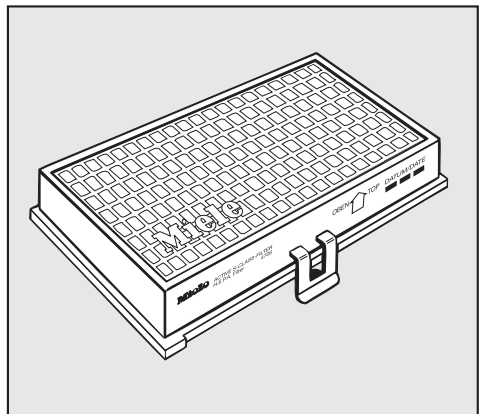
ACTIVE air clean filter

The ACTIVE air clean filter is a special active charcoal filter which absorbs odours from the dust collected in the dustbag. It helps to prevent the build-up of odours. Do not use aroma capsules in your cleaner if you use this filter. The charcoal in the filter will absorb their aroma rendering them ineffective. The ACTIVE air clean filter can be used instead of the existing exhaust filter. If used instead of the SUPER air clean filter you will have to remove the filter frame from the cleaner. There is no difference in filtration level between the ACTIVE air clean filter and the SUPER air clean filter.



ACTIVE HEPA filter

The ACTIVE HEPA filter is a special combi filter containing charcoal which absorbs odours from the dust collected in the dustbag. It helps to prevent the build-up of odours. Do not use aroma capsules in your cleaner if you use this filter. The charcoal in the filter will absorb their aroma rendering them ineffective. It is also a particle filter conforming to EN 1822 HEPA Classification 12 and is able to filter out very fine particles and micro-organisms. Vacuum cleaners equipped with this exhaust filter are particularly suitable for allergy sufferers and those concerned with a high level of hygiene. The ACTIVE HEPA filter can be inserted in place of the existing exhaust filter. If used instead of the SUPER air clean filter you will have to remove the filter frame from the cleaner.



Electrical connection for the UK

All electrical work should be carried out by a suitably qualified and competent person in strict accordance with current national and local safety regulations (BS 7671 in the UK).

The voltage and connected load are given on the data plate located underneath the vacuum cleaner. Please ensure that these match the household mains supply. The fuse rating is quoted on the plug.

The appliance is supplied with a cable and moulded plug ready for connection to a 230-240 V/50 Hz a.c. single phase supply.

Non-rewireable plugs BS 1363

The fuse cover must be re-fitted when changing the fuse, and if the fuse cover is lost the plug must not be used until a suitable replacement is obtained. The colour of the correct replacement cover is that of the coloured insert in the base of the plug, or the colour that is embossed in words on the base of the plug, (as applicable to the design of plug fitted).

Replacement fuses should be ASTA approved to BS1362 and have the correct rating. Replacement fuses and fuse covers may be purchased from your local electrical supplier.



United Kingdom:

Miele Co. Ltd.
Fairacres, Marcham Road
Abingdon, Oxon, OX14 1TW
Tel: (01235) 554455
Fax: (01235) 554477
Customer Contact Centre Tel: (08707) 554466
E-mail: info@miele.co.uk
Internet: www.miele.co.uk

Australia:

Miele Australia Pty. Ltd.
A.C.N. 005635398
1 Gilbert Park Drive, Knoxfield, VIC 3180
Tel: (03) 9764 7130
Fax: (03) 9764 7149
Internet: www.miele.com.au

China

Miele Shanghai Rep. Office
Room 4105 - 6, 41 Floor
Plaza 66, 1266 Nan-Jing Road/ West
Shanghai 200040
Tel: +86 21 6288 4200
Fax: +86 21 6288 4100
E-mail: mieleshanghai@cn.miele.com
Internet: www.miele.cn

Hong Kong:

Miele (Hong Kong) Limited
AIA Plaza, 24 Floor
18 Hysan Avenue
Causeway Bay
Tel: +852- 2610-1331
Fax: +852-2610-1013
E-mail: mielehk@miele.com.hk
Internet: www.miele.hk

Ireland:

Miele Ireland Ltd.
Broomhill Road, Tallaght, Dublin 24
Tel: (01) 461 0710
Fax: (01) 461 07 97
E-Mail: info@miele.ie
Internet: www.miele.ie

New Zealand

Miele New Zealand Limited
Unit L, 10-20 Sylvia Park Road
Mt. Wellington, 1060, Auckland, NZ
Tel: (09) 573 1269
Fax: (09) 573 1268
Internet: www.miele.co.nz

South Africa:

Miele (Pty) Ltd
63 Peter Place, Bryanston 2194
P.O. Box 69434, Bryanston 2021
Tel: +27 (0) 11 548-1900
Fax: +27 (0) 11 548-1935
E-mail: info@miele.co.za
Internet: www.miele.co.za

Singapore:

Miele Southeast Asia
Miele Pte. Ltd.
163 Penang Road
04 - 02/03 Winsland House II
Singapore 238463
Tel: +65 6735 1191
Fax: +65 6735 1161
E-Mail: infosea@miele.com.sg
Internet: www.miele.sg

United Arab Emirates

Miele Appliances Ltd.
P.O. Box 11 47 82
Gold & Diamond Park
Sheikh Zayed Road
Building 6 / Offices Nos. 6-214 to 6-220
Dubai
Tel: +971-4-341 84 44
Fax: +971-4-341 88 52
E-Mail: info@miele.ae
Internet: www.miele.ae



Free Manuals Download Website

<http://myh66.com>

<http://usermanuals.us>

<http://www.somanuals.com>

<http://www.4manuals.cc>

<http://www.manual-lib.com>

<http://www.404manual.com>

<http://www.luxmanual.com>

<http://aubethermostatmanual.com>

Golf course search by state

<http://golfingnear.com>

Email search by domain

<http://emailbydomain.com>

Auto manuals search

<http://auto.somanuals.com>

TV manuals search

<http://tv.somanuals.com>