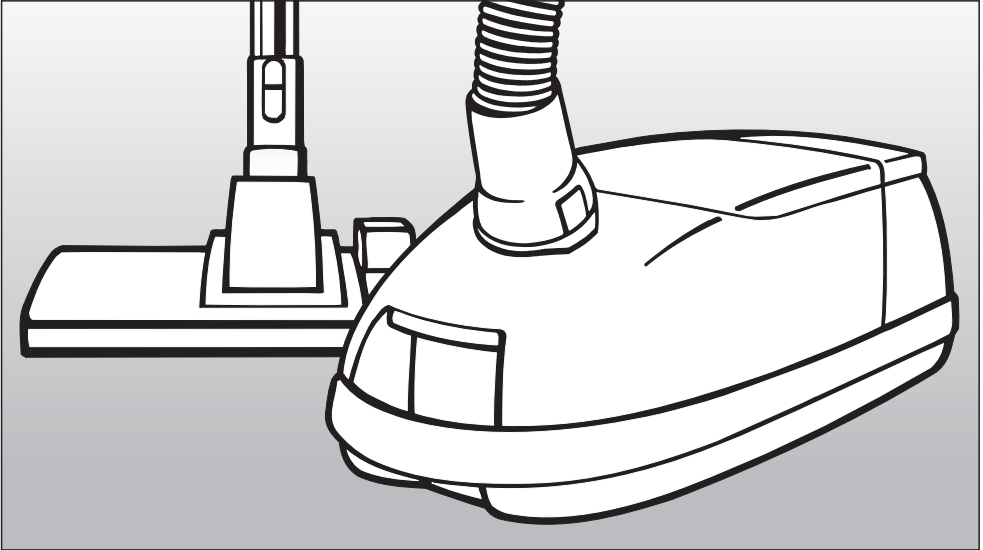


## Operating instructions



## Vacuum cleaners S 560 / S 570 S 700 / S 800 series

These operating instructions apply to standard models S 560 - S 578, S 711 - S 749 and S 812 - S 849 as well as to other models which are distinguished by names rather than numbers.



M.-Nr. 06 050 931

# Contents

---

<b>Caring for the environment</b> . . . . .	3
<b>Description of the appliance</b> . . . . .	4
<b>Warning and Safety instructions</b> . . . . .	6
<b>Preparing for use</b> . . . . .	9
<b>Using the accessories</b> . . . . .	14
Floorhead . . . . .	14
Crevice nozzle . . . . .	14
Crevice nozzle extension . . . . .	14
Dusting brush . . . . .	15
Upholstery nozzle . . . . .	15
<b>Operation</b> . . . . .	16
Unwinding and rewinding the mains cable . . . . .	16
Auto-reverse . . . . .	16
Switching on and off . . . . .	17
Regulating the suction . . . . .	18
Opening the air inlet valve . . . . .	21
Blowing out . . . . .	22
<b>Setting down, transportation and storage</b> . . . . .	23
<b>Maintenance and care</b> . . . . .	24
Purchasing new dustbags and filters . . . . .	24
When to change the dustbag . . . . .	25
Replacing the dustbag . . . . .	26
When to change the exhaust filter . . . . .	27
Exhaust filter change indicator . . . . .	28
Replacing the "SUPER air clean" filter . . . . .	29
Replacing the "ACTIVE air clean" filter and the "ACTIVE HEPA" filter . . . . .	30
Replacing one type of filter with another . . . . .	31
When to change the dust compartment filter (motor protection) . . . . .	32
To replace the dust compartment filter . . . . .	32
When to change the thread lifters . . . . .	33
To replace the thread lifters . . . . .	33
<b>Cleaning and care</b> . . . . .	34
<b>Problem solving guide</b> . . . . .	35
<b>After sales service</b> . . . . .	36
<b>Optional accessories</b> . . . . .	37
<b>Electrical connection for the UK</b> . . . . .	43

## Disposal of packing material

The transport and protective packing has been selected from materials which are environmentally friendly for disposal and can normally be recycled.

Ensure that any plastic, wrappings, bags etc. are disposed of safely and kept out of the reach of babies and young children. Danger of suffocation.

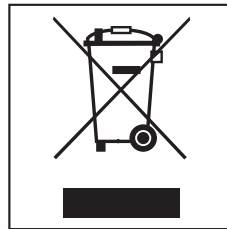
Rather than just throwing these materials away, please recycle them.

## Disposing of the dustbag and filters

These are made from environmentally friendly materials, and can be disposed of with the normal household waste, as long as they have been used exclusively for general household dust.

## Disposal of your old appliance

Electrical and electronic appliances often contain materials which, if handled or disposed of incorrectly, could be potentially hazardous to human health and to the environment. They are, however, essential for the correct functioning of your appliance. Please do not therefore dispose of it with your household waste.





Please dispose of it at your local community waste collection / recycling centre and ensure that it presents no danger to children while being stored for disposal.

It should be unplugged or disconnected from the mains electricity supply by a competent person. The plug must be rendered useless and the cable cut off directly behind it to prevent misuse. See the "Warning and Safety" section of this booklet for further details.



## Description of the appliance

---

- ① Hand piece
- ② Air inlet valve
- ③ Locking button
- ④ Telescopic tube \*
- ⑤ Slide control \*
- ⑥ Socket for Electrobrush \* (only on models with a push button on the lid)
- ⑦ Dust compartment lid catch
- ⑧ Dust compartment filter (for motor protection)
- ⑨ Dustbag
- ⑩ Floorhead
- ⑪ Carrying handle
- ⑫ Parking attachment
- ⑬ Exhaust filter \*
- ⑭ Mains cable with plug (plug varies depending on country)
- ⑮ Cable rewind
- ⑯ Suction power selector \*
- ⑰ Park system
- ⑱ Exhaust filter change indicator (Re-set button ) \*
- ⑲ Overheating warning light  \*
- ⑳ On / Off switch
- ㉑ Accessories compartment
- ㉒ Dustbag change indicator
- ㉓ Release button for accessories compartment
- ㉔ Hose connector
- ㉕ Suction hose

The illustration shows the maximum number of features available on these Miele vacuum cleaners.

Those features marked \* depend on the model and may vary or not be available on your model.

# Warning and Safety instructions

---

This appliance meets statutory safety requirements. To avoid the risk of personal injury or damage to the appliance you should read these operating instructions carefully before using it for the first time. They give important information on the safety, operation and care of the appliance. Please keep these operating instructions in a safe place for reference, and pass them on to any future users.

## Correct use

■ This vacuum cleaner must only be used for domestic household purposes to vacuum **dry** floor surfaces. Do not use on people or animals. Any other usage, modification or alteration is at the owner's risk and could be dangerous. The manufacturer cannot be held liable for damage resulting from improper or incorrect use of the appliance.

## Safety with children

■ This appliance is not a toy! To avoid the risk of injury do not allow children to play on or near it, or to play with the controls. Supervise its use by older children and the elderly or infirm.

## Before using for the first time

- Check the packaging, the vacuum cleaner and accessories for any signs of damage. Do not use a damaged appliance: it could be dangerous.
- Ensure that the connection data on the data plate (voltage and frequency) match the mains electricity supply. It is essential that they match to avoid damage to the appliance.
- The plug must be fitted with a 13 A fuse (UK).

## Use

- It is important to switch the vacuum cleaner off before changing over accessories and floorheads, especially a Turbo- or Electrobrush.
- To avoid the risk of damage, do not use the vacuum cleaner without the dustbag, dust compartment filter and exhaust filter in place.
- If a dustbag is not inserted, the dust compartment cover does not normally close. Do not force it.
- There is a metal inlay underneath the handle which is designed to protect the user from electrostatic discharges. Please make sure that you keep your hand in constant contact with this metal strip during vacuuming.

# Warning and Safety instructions

---

Do not vacuum up any water, liquid or damp dirt. This will cause major faults and could seriously impair the functioning and electrical safety of the appliance. Wait until any freshly cleaned or shampooed carpets or floor coverings are completely dry before attempting to vacuum.

Do not vacuum up anything which has been burning or is still glowing e.g. cigarettes, ashes or coal, whether glowing or apparently extinguished. The cleaner might catch fire.

Do not vacuum toner dust. Toner, such as that used in printers and photocopiers, can conduct electricity. The filter system in the vacuum cleaner may not filter it completely, causing the toner to be blown back into the room by the fan.

Do not vacuum up any inflammable or combustible liquids or gases and do not vacuum in areas where such substances are stored. The cleaner might explode.

Do not vacuum up any sharp-edged objects. They could cause a blockage and damage the appliance.

Floor attachments, accessories and tubes must not be used at head level to avoid the risk of injury, e.g. to eyes and ears.

Do not pull or carry the appliance by the cable.

- Keep the cable away from sharp edges and do not let it be squashed, for example, under a door.

- Avoid running the vacuum cleaner over the cable.

A damaged cable, plug or socket is a safety hazard. The appliance must not be used if any of these have suffered damage.

Monitor the change dustbag indicator and change the dustbag if necessary. Check the exhaust and dust compartment filters at the same time and change them too if necessary. A full bag or blocked filter will reduce the suction power of the cleaner. A temperature limiter switches the vacuum cleaner off automatically if it gets too hot. See "Problem solving guide".

Do not use aroma capsules if your cleaner is fitted with an Active HEPA filter or an Active Air Clean filter. The active charcoal layer in the filter will absorb the aroma from the capsules rendering them ineffective.

# Warning and Safety instructions

---

## Using accessories

■ The socket on the vacuum cleaner (depending on model) must only be used for the Miele Electrobrush specified for use with this appliance.

■ The Miele Electrobrush is a motor driven accessory for use only with Miele vacuum cleaners. The cleaner must not be used with an electrobrush produced by another manufacturer.

■ To avoid the risk of injury when vacuuming with a Miele Electrobrush or Turbobrush, do not touch the rotating roller brush.

■ It is not advisable to vacuum directly with the handle, i.e. without an accessory attached as the rim could get damaged and you could hurt yourself on sharp edges.

■ Miele vacuum cleaner bags are disposable and intended to be used only once. Do not attempt to re-use. Blocked pores reduce the efficiency of the cleaner.

■ Use only Miele approved dustbags, filters and accessories. This will ensure optimum performance of the appliance throughout its life.

## Cleaning, maintenance and repairs

■ Always disconnect the vacuum cleaner from the mains supply when you have finished using it, as well as for maintenance work and cleaning. Switch it off at the wall socket and unplug it.

■ Do not let the vacuum cleaner get wet. Clean only with a dry cloth or slightly damp cloth when disconnected from the mains supply. If moisture gets into the appliance there is the risk of an electric shock.

■ Repairs should only be carried out by a suitably qualified and competent person in accordance with national and local safety regulations. Repairs and other work by unqualified persons could be dangerous. The manufacturer cannot be held liable for unauthorised work.

■ If the cable is damaged it should be replaced together with a complete cable rewind by a Miele service technician.

## Disposing of an old appliance

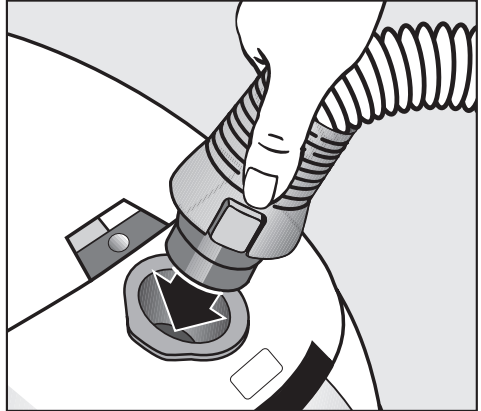
■ When disposing of an old appliance, cut the cable off the appliance as close to the cleaner as possible and cut the plug off. The plug cut from the cable should be rendered useless and then disposed of and on no account be inserted into any socket elsewhere in the house (electric shock hazard). Dispose of the appliance in a responsible manner.

The manufacturer cannot be held liable for damage caused by non-compliance with these Warning and Safety instructions.



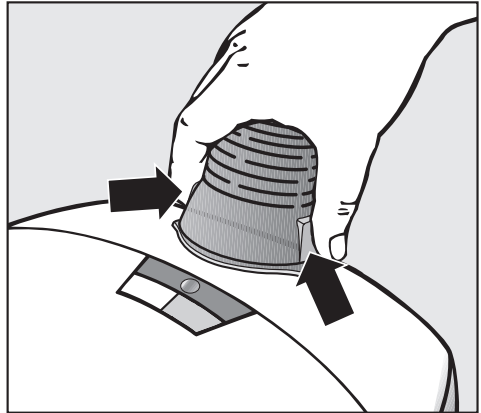
## Attaching the suction hose

- Insert the hose connector into the suction socket until it clicks into position.



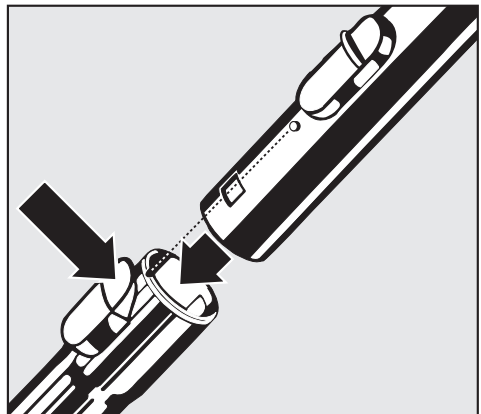
## To remove the suction hose from the cleaner

- Press the release buttons at the side of the hose connector and lift the hose from the socket.



## Connecting the suction hose and the suction tube

- To fit the handpiece of the suction hose into the suction tube, line up the guides on both parts and push in until they audibly lock together.
- To release the hand piece from the suction tube press the locking button (see arrow) and pull the hand piece away from the suction tube.

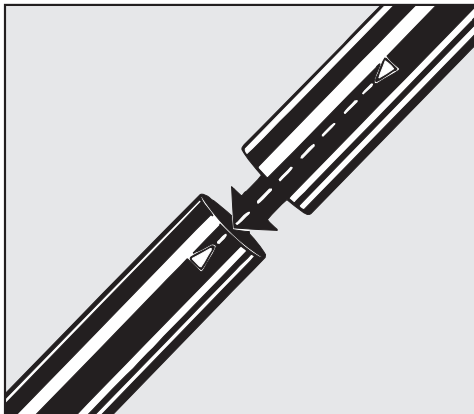


# Preparing for use

## Connecting the suction tube sections

(depending on model)

Both sections of the suction tube have locating arrows marked on them. When connecting the two sections, ensure that the two arrows point towards each other.

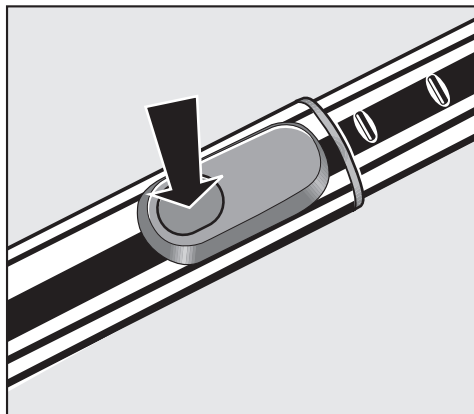


## Adjusting the telescopic suction tube

(depending on model)

One part of the telescopic tube is packed inside the other and can be adjusted to suit your height for comfortable vacuum cleaning.

- Press the telescopic tube release button (see arrow) to release the tubes and adjust to the required height.

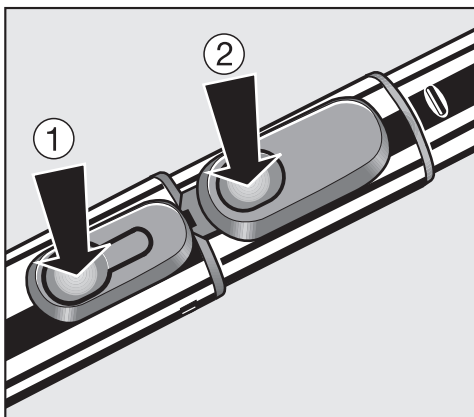


## Adjusting the triscopic suction tube

(depending on model)

The triscopic tube has three sections. Two sections are packed into a third outer tube.

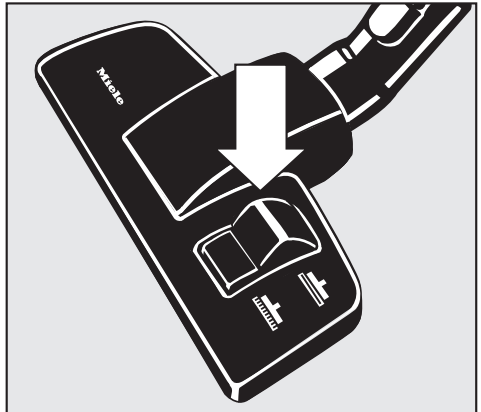
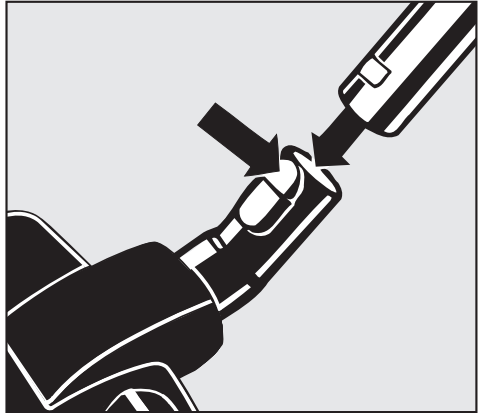
- Press release button ① on the bottom tube and pull the tube out as far as it will go. It will click into position. Press release button ① to push the tube back in again. It will engage with a click.
- Press button ② to release the telescopic tubes and adjust to the required height.



## Attaching the floorhead


- Push the suction tube into the floorhead and turn it clockwise or anti-clockwise until it clicks into position.
- To release the floorhead from the suction tube, press the locking button (see arrow) and pull the suction tube away from the floorhead.

The floorhead can be used for all normal cleaning of carpets and rugs. It can also be used with the brush protruding to vacuum hard flooring. For hard flooring, such as stone and parquet, we recommend using one of the special Miele floor brushes (see "Optional accessories").




It is also important to observe the flooring manufacturer's cleaning and care instructions.

Vacuum carpets and rugs with the brush retracted:

- Press the foot switch to the  position.

Clean hard flooring which is not susceptible to scratching with the brush protruding:

- Press the foot switch to the  position.

## Electrobrush / Turbobrush

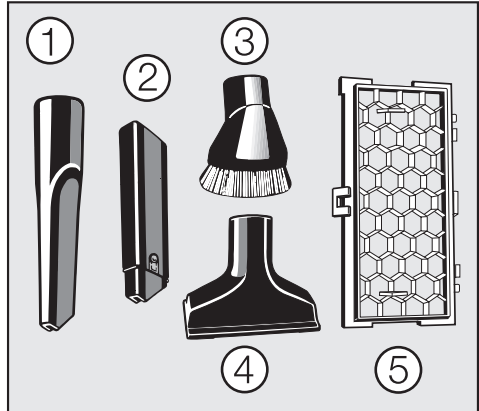
Some models may be supplied as standard with an Electrobrush or a Turbobrush in addition to the normal floorhead (see "Optional accessories"). Please refer to the separate operating instructions supplied with these brushes for instructions on use and maintenance.

# Preparing for use

## Accessories supplied

Other tools, in addition to the floorhead(s), are supplied with the vacuum cleaner to help deal with various types of cleaning.

- ① Crevice nozzle
- ② Crevice nozzle extension (depending on model)
- ③ Dusting brush
- ④ Upholstery nozzle
- ⑤ Filter grille

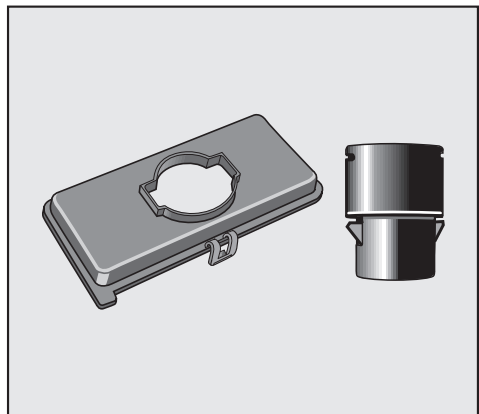


The filter grille ⑤ is supplied separately in the box only with those models which are fitted with an "ACTIVE air clean" or "ACTIVE HEPA" exhaust filter as standard. The filter grille is required if you wish to replace one of these filters with a "SUPER air clean" filter.

## Adapter and blower connection socket

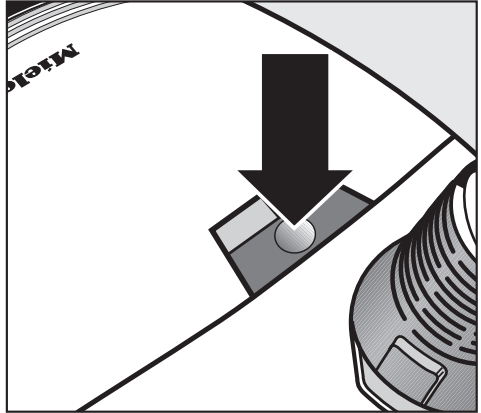
(depending on model)

The adapter and blower connection socket enable the vacuum cleaner to be used for blowing out air, e.g. for dusting off multi-layered radiators and blowing dust out of inaccessible corners (see "Operation - Blowing out").

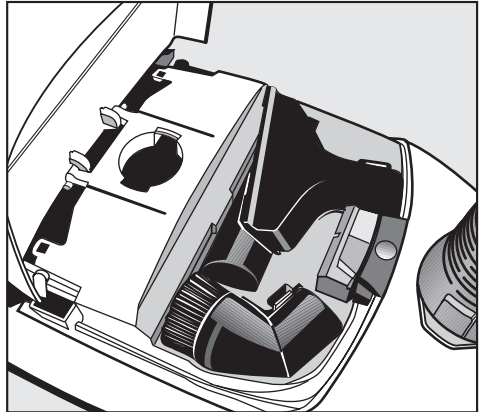


### To open the accessories compartment

- Press the release button and the lid will open.

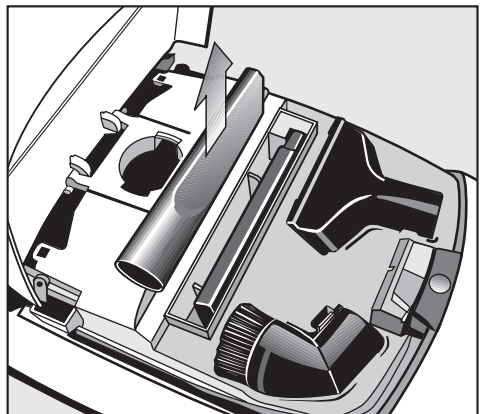


- Take out the accessory you require.
- Press down firmly on the lid to close it.



### S 812 - S 849 series accessories compartment

The extension for the crevice nozzle is located in the compartment underneath the crevice nozzle.

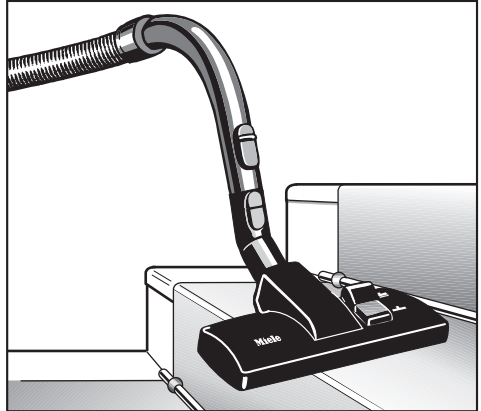


## Using the accessories

The different tools can either be fitted to the hand-piece or, as required, to the suction tube.

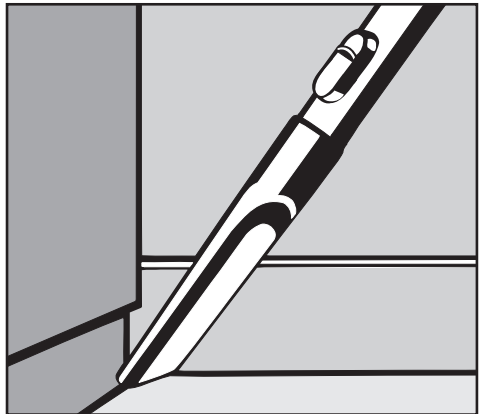
### Floorhead

For general use and also for cleaning stairs.



### Crevice nozzle

For cleaning in folds, crevices or corners.

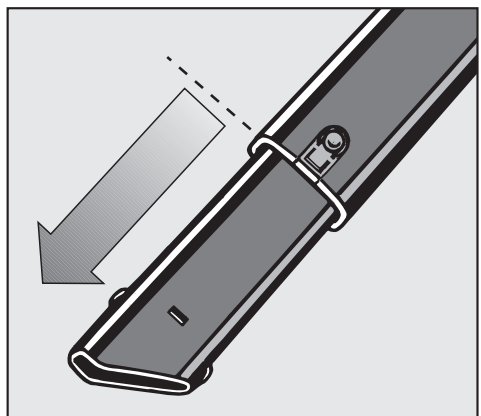


### Crevice nozzle extension

(depending on model)

This accessory can be used to extend the length of the crevice nozzle. Further length is provided by pulling out the inner section.

- Press the locking button to pull the extension piece out or to push it in.



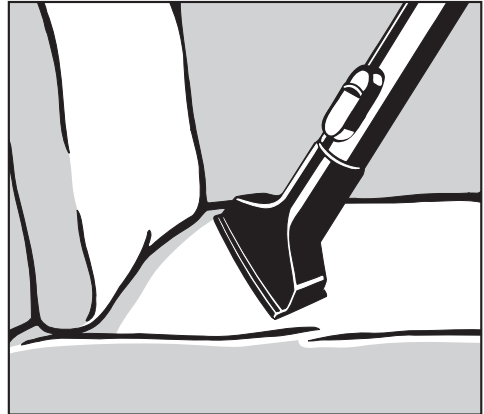
### Dusting brush

For cleaning skirting boards, ornate or carved articles, etc. The head of the dusting brush can be swivelled to attain the best cleaning position.



### Upholstery nozzle

For cleaning upholstery, mattresses, cushions, curtains, covers etc.




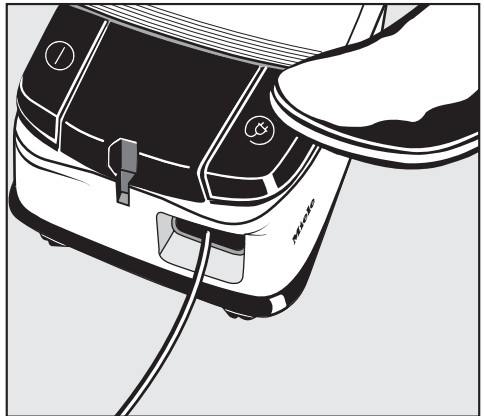
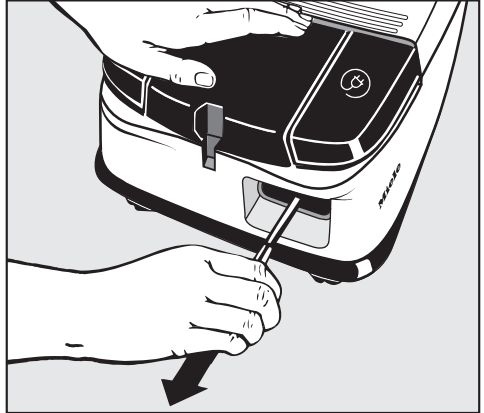
# Operation

## Unwinding and rewinding the mains cable

### Unwinding

- Hold the plug and unwind cable to the required length:
  - S 560 - S 578: max. approx. 6.5 m
  - S 711 - S 749: max. approx. 6.5 m
  - S 812 - S 849: max. approx. 8.5 m

 If vacuuming for longer than 30 minutes, the mains cable must be pulled out to its fullest extent. Otherwise there is a danger of overheating and damage.



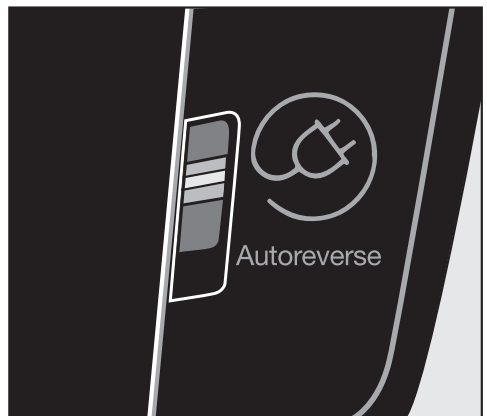
### Rewinding

- Switch off at the wall socket and remove the plug.
- Press the rewind switch. The cable will rewind automatically.

## Auto-reverse

(depending on model)

To switch on this function, move the slide switch to "Auto-Reverse". When this function is switched on the rewind brake on the cable drum is released. It pays out the exact amount of cable required and gathers in excess cable so that the cable automatically adjusts itself to the distance between the appliance and the wall socket.






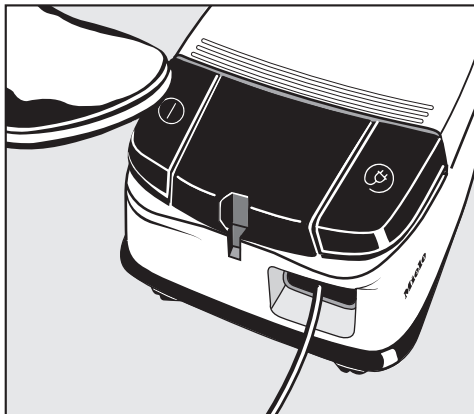
## Switching on and off

- Press the On-Off switch.

## Vacuuming

- When vacuuming pull the cleaner behind you on its wheels. You can stand it upright for vacuuming stairs and curtains etc.

 When vacuuming especially fine dust, e.g. sawdust, sand, plaster, flour, talcum powder etc., electrostatic charges build up naturally. Under certain conditions these charges will be released. To avoid the unpleasant effects of these discharges, a metal inlay has been incorporated into the underside of the handle. Please make sure that you keep your hand in constant contact with this metal strip during vacuuming.



# Operation





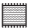

---

## Regulating the suction

The suction power can be regulated to suit the type of flooring. The higher the wattage the more powerful the suction.

Reducing the suction power reduces the amount of effort required to manoeuvre the floorhead. Setting the suction power selector according to the degree of soiling and type of flooring being cleaned will save energy. Smooth or lightly soiled flooring is easily cleaned using the Economy setting. Fitted carpets and thick pile carpets require the most powerful setting to remove ingrained soiling.

Some models also have symbols on the controls. The symbols indicate the type of use the settings are suitable for.

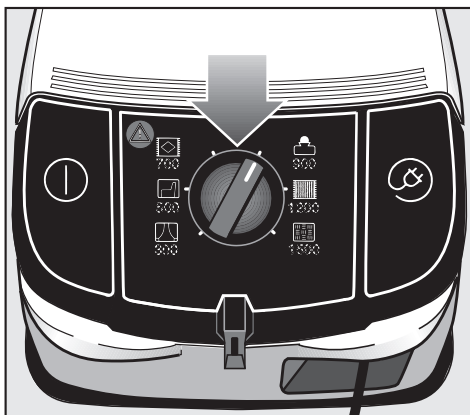
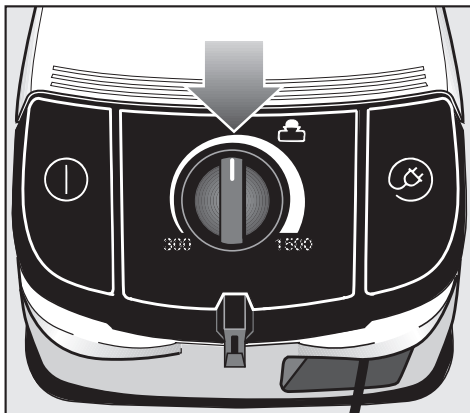
-  - curtains, lightweight fabrics
-  - upholstery, cushions
-  - thick pile carpets, rugs and runners
-  - for energy-saving daily use
-  - lightly soiled textured carpets
-  - textured hard flooring, and for intensive cleaning of carpets

The controls vary from model to model.

These are described on the following pages.

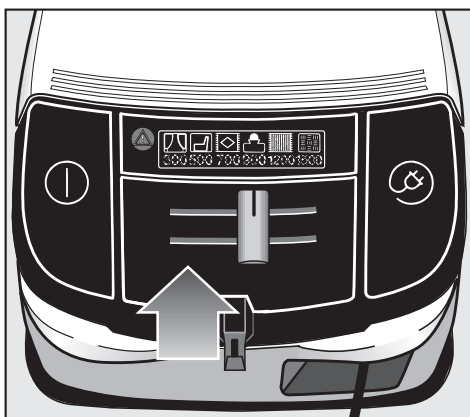
## Rotary selector

- Turn the rotary selector manually to the suction power setting you require.



## Slide selector

- Move the slide selector manually to the suction power setting you require.



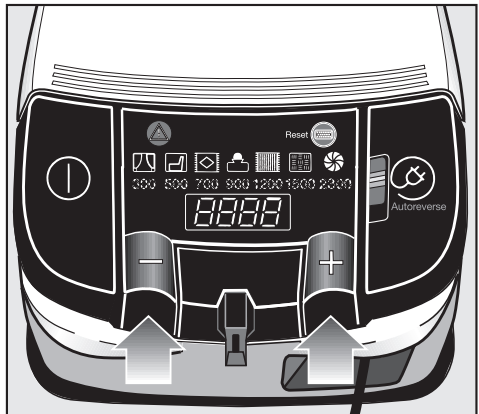
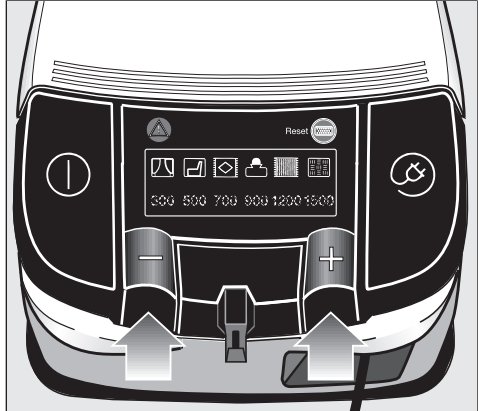
# Operation

## + / - controls

Press the controls to select the suction power you require.

- Press the + control to select a higher setting.
- Press the - control to select a lower setting.

When switched on the vacuum cleaner operates at the power setting last used. A single short press on the control moves the suction power up or down one setting at a time. If the control is held down, the suction power setting will automatically move through the power settings until the control is released.

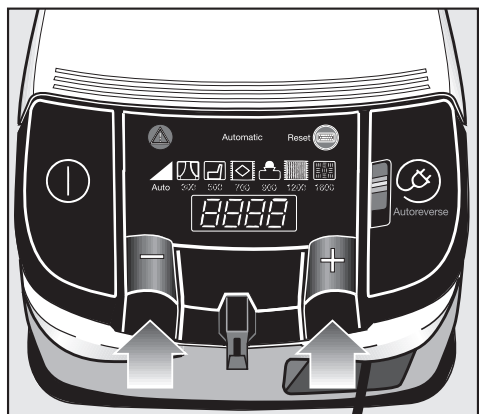


## + / - controls with Automatic setting

There are six power settings and an Automatic setting available. The display shows the power level in watts.

- Press the + control to select a higher setting.
- Press the - control to select a lower setting.


When switched on the vacuum cleaner operates at the power setting last used. A single short press on the control moves the suction power up or down one setting at a time. If the control is held down, the suction power setting will automatically move through the power settings until the control is released.

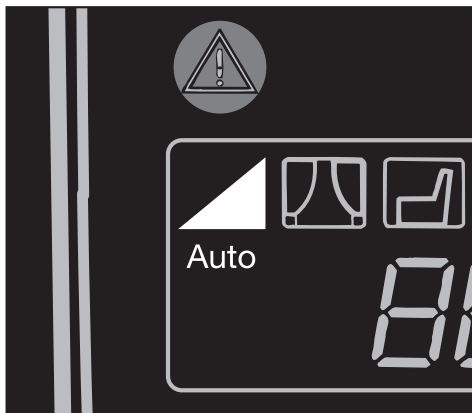


## Automatic setting

If the Automatic setting is chosen the vacuum cleaner automatically adjusts the suction power to suit the surface being cleaned. This ensures the correct power setting for the type of floor or carpet being cleaned.

- Keep pressing the **-** control until the Automatic setting is activated.
- Press the **+** control to de-activate the Automatic setting.

 Do not use the Automatic setting to vacuum lightweight materials or curtains. These could be sucked in and possibly damaged.

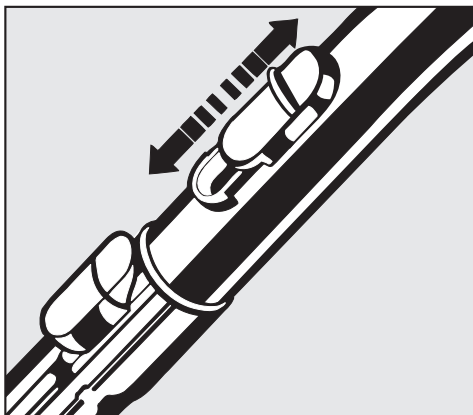


## Opening the air inlet valve

Opening the air inlet valve reduces the suction power quickly for brief periods, e.g. to prevent damage to the fringes of a rug when moving from cleaning a carpeted floor to a rug, or to prevent something being vacuumed up by mistake.

- Open the air inlet valve far enough to reduce the suction power.

The floorhead will be easier to manoeuvre. Close the valve up again when you are ready to use full power again.

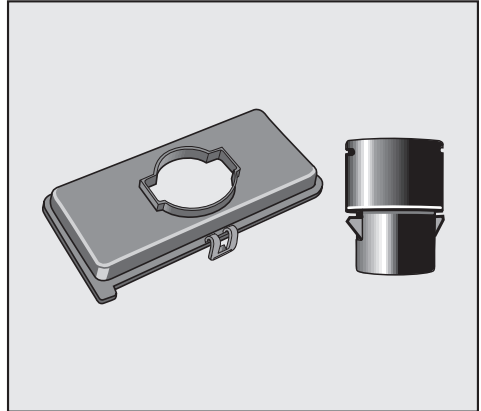


# Operation

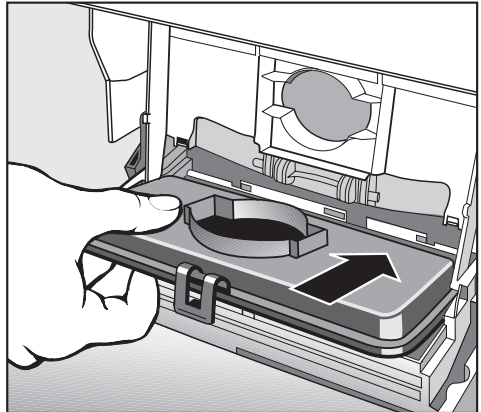
## Blowing out

(depending on model)

The adapter is used to attach the suction hose connector to the blower connection socket so that the vacuum cleaner can be used to blow out air, e.g. for dusting off multi-layered radiators and blowing dust out of inaccessible corners so that it can be vacuumed up. It can also be used to blow out the suction hose if it gets blocked.



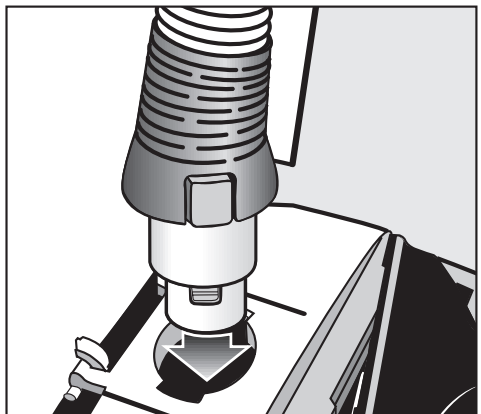
- Press the release button for the dust compartment lid and raise up the lid as far as it will go.
- Take out the exhaust filter or the filter grille if this has been fitted and replace with the blower connection socket.
- Close the dust compartment lid.



- Attach the adapter to the hose connector.
- Now open the accessories compartment and insert the adapter into the blower outlet.

After use, pull firmly on the adapter to remove it from the hose connector.

Remove the blower connection socket and refit the exhaust filter or filter grille.

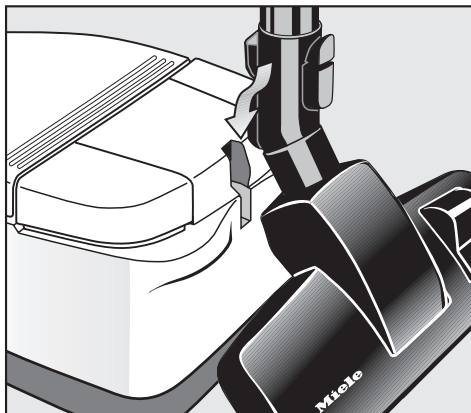


# Setting down, transportation and storage

## Park system

A Park system has been designed for conveniently parking the vacuum cleaner during pauses.

- Fit the lower clip on the floorhead into the slot on the back of the vacuum cleaner from above (see illustration).



## Switching on and off with the Park system

(depending on model)

Parking the floorhead in this way whilst vacuuming automatically switches off the cleaner. Lifting the floorhead out of the Park system switches the cleaner on again.

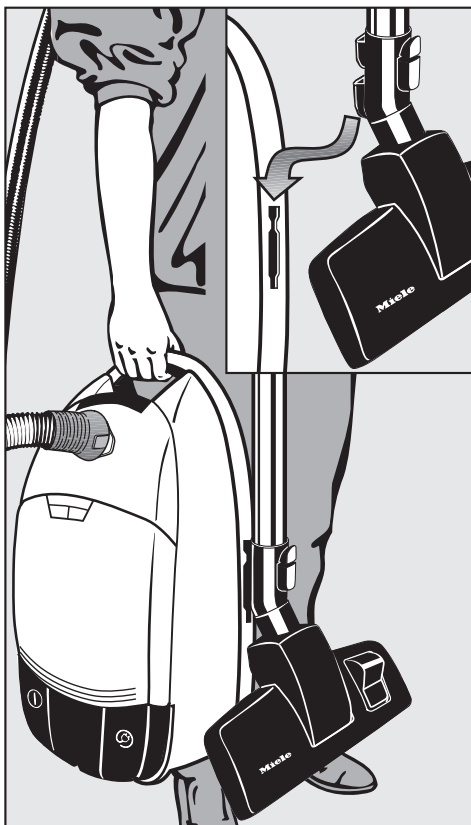
If your vacuum cleaner is equipped with + / - suction power selector controls you can de-activate or activate the Park system's On-Off function.

- Switch the vacuum cleaner off with the On-Off switch.
- Press and hold the + and - controls in and at the same time switch the vacuum cleaner on with the On-Off switch.

## Transportation and storage


- Stand the vacuum cleaner upright when it is not being used and during storage.
- Fit both clips on the floorhead into the two point holder on the side of the cleaner.

This makes the cleaner easier to carry or store.



## Maintenance and care

---

 Always disconnect the vacuum cleaner from the electrical supply for maintenance work and for cleaning. Switch off at the wall socket and remove the plug.

The Miele filter system consists of three filters.

- Dustbag
- Exhaust filter
- Dust compartment filter (for motor protection)

These will need to be replaced from time to time to ensure that your vacuum cleaner performs efficiently.

To ensure that your vacuum cleaner functions correctly, cleans hygienically and gives you many years of trouble-free operation please only use genuine Miele approved dustbags and filters. The use of non-Miele approved dustbags and accessories could invalidate your warranty and cause damage to your product.

### Purchasing new dustbags and filters

Replacement dustbags and filters can be obtained from your local Miele Dealer or directly from the Miele Spare Parts Department.

When ordering dustbags for your vacuum cleaner ask for bags with the code

- **F/J/M** for models S 560 - S 578 and S 711 - S 749
- **G/N** for models S 812 - S 849.

Always quote the model number given on the data plate located underneath the appliance.

A "SUPER air clean" filter and a dust compartment filter are supplied with every packet of Miele dustbags.

If you wish to purchase exhaust filters or dust compartment filters separately, please quote the model number of your appliance when ordering to ensure you get the correct items.

You can replace the exhaust filter supplied with the vacuum cleaner with one of the other Miele exhaust filters if you wish (see "Replacing one type of filter with another").



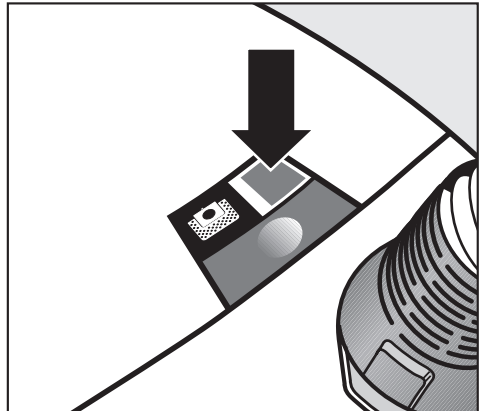
## When to change the dustbag

Change the dustbag when the colour marker in the dustbag change indicator fills the display.

Dustbags are designed for single use only. Do not attempt to re-use them as suction would be reduced.

## Checking the dustbag change indicator

- Attach the standard floorhead to the suction tube. Do not use any of the other floorheads or attachments as they will cause the dustbag change indicator to give a false reading.
- Switch the vacuum cleaner on and turn the rotary selector (if applicable) to the highest power setting.
- Lift the floorhead off the floor a little. If the red marker completely fills the dustbag change indicator you should replace the dustbag with a new one.



## How the dustbag change indicator works

The indicator is designed to measure the air permeability of a dustbag containing common household dust. Normal household dust would contain a mixture of dust, hair, carpet fluff, threads, grit etc.

However, if the vacuum cleaner has been used to suck up fine dust, such as plaster, brick dust, cement or flour, the pores of the dustbag become blocked very quickly. This affects the air permeability of the bag and the marker will indicate that the bag is "full" even when it is not. If this happens you must still change the dustbag because suction power will be greatly reduced by blocked pores in the dustbag.

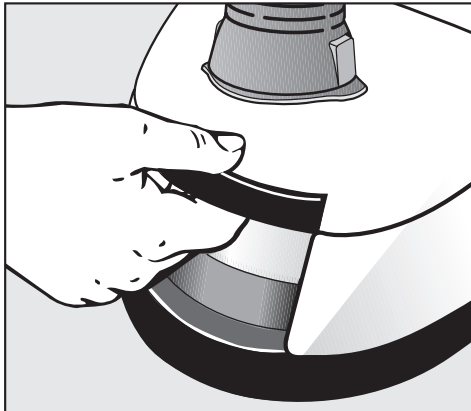
If, on the other hand, you have vacuumed up a lot of hair and carpet fluff which typically contains a lot of air the indicator may fail to react even though the bag is full. You should still change it!

Both these extremes can occur.

## Maintenance and care

### Replacing the dustbag

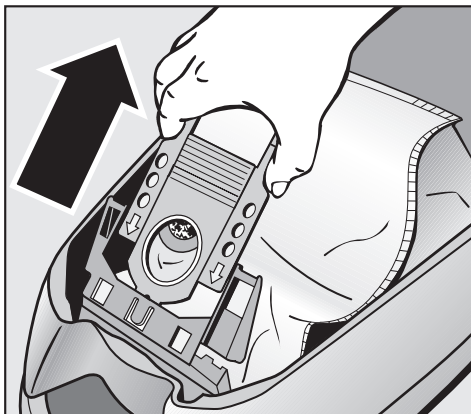
- Press the release button for the dust compartment lid and raise the lid as far as it will go.



- To remove the dustbag hold the bag by the collar and pull it out of its holder.

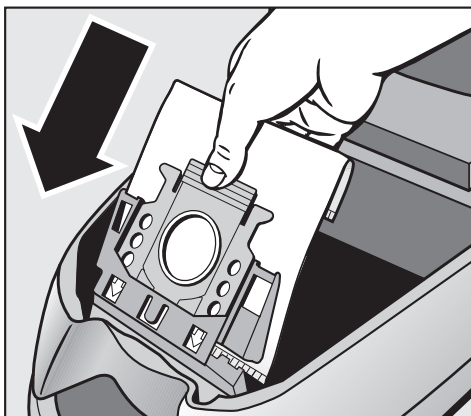
The dustbag has a closing flap which closes automatically when the dustbag is removed to prevent any dust escaping.

It can then be disposed of with the normal household waste as long as it has only been used for vacuuming up normal household dust.



Do not unfold the new bag when you take it out of the packet. This way it will not get trapped when you shut the dust compartment lid again.

- To insert a new dustbag, push the collar securely into the frame as far as it will go. Otherwise you will not be able to shut the lid.
- Close the dust compartment lid firmly.



## When to change the exhaust filter

Depending on model your vacuum cleaner will be fitted as standard with one of the following exhaust filters:

- a** a SUPER air clean filter,
- b** an ACTIVE air clean filter or
- c** an ACTIVE HEPA filter

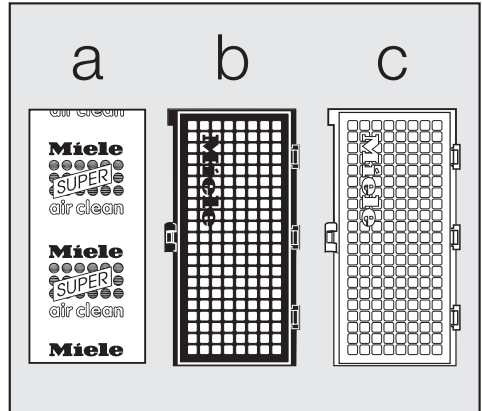
### Replace the SUPER air clean filter

every time you start a new packet of dustbags. A SUPER air clean filter is supplied with every packet of Miele dustbags.

### Replace the ACTIVE air clean or the ACTIVE HEPA filter

approx. once a year. It should be replaced sooner if it is obviously soiled or no longer effective. Make a note of the date on the filter.


See "Accessories available as optional extras" for descriptions of these two filters.



## Maintenance and care

---

### Exhaust filter change indicator

Some models are equipped with an exhaust filter change indicator (Re-set button ) which is designed for the change cycle of an ACTIVE air clean or an ACTIVE HEPA filter.

The indicator lights up after approx. 50 hours of operation which is equivalent to about a year of average use. The vacuum cleaner can still be used with the exhaust filter indicator lit up. However, the suction power will be reduced as will the effectiveness of the filter if it is not replaced in good time.

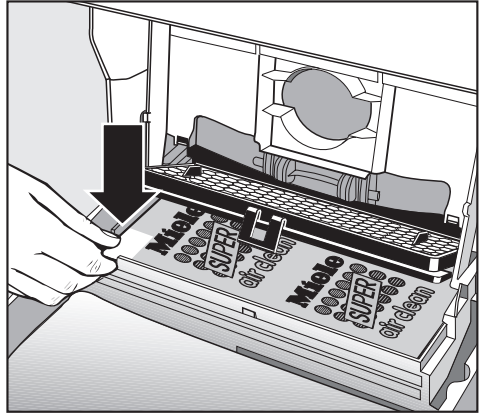
The filter change indicator light will have no significance if a SUPER air clean filter (**a**) has been fitted, but should still be re-set. The indicator light will go out when it is pressed.

You can replace the exhaust filter supplied with the vacuum cleaner with one of the other Miele exhaust filters if you wish (see "Replacing one type of filter with another").

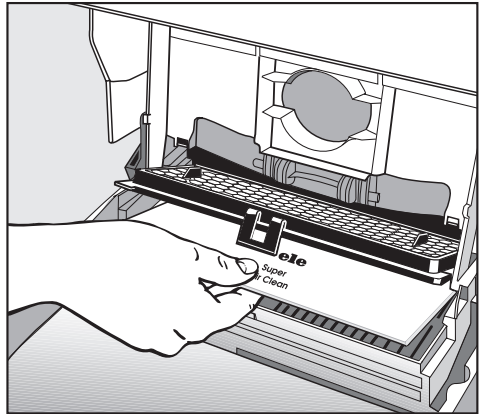


### Replacing the "SUPER air clean" filter

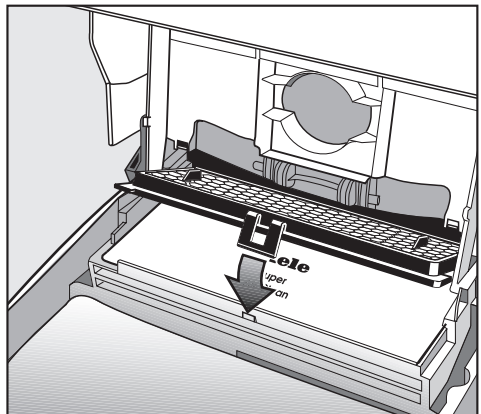
- Open the dust compartment lid.
- Release the filter grille and raise it upwards. Grasp the used SUPER air clean filter by the clean, unsoiled section (see arrow) and take it out.



- Replace it with a new SUPER air clean filter. It can be inserted either way up.



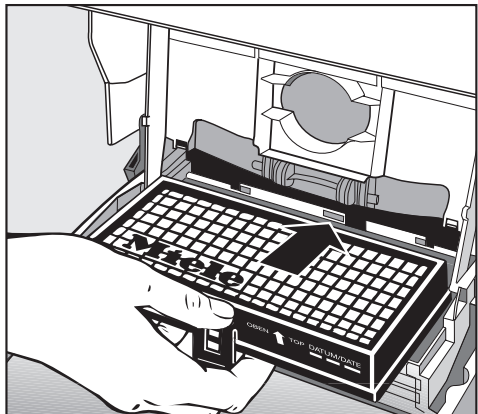
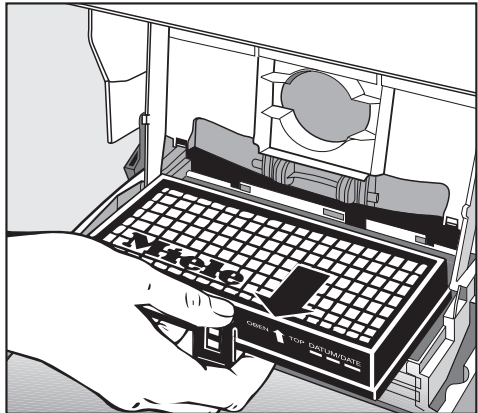
- Lower and secure the filter grille back in place.
- Close the dust compartment lid firmly.




## Maintenance and care

### Replacing the "ACTIVE air clean" filter and the "ACTIVE HEPA" filter

- Open the dust compartment lid.
- Release the catch and remove the filter.
- To insert the new filter, fit it so that it engages at the back and then close the catch.
- Close the dust compartment lid firmly.



### Resetting the Exhaust filter change indicator

If your vacuum cleaner is equipped with an exhaust filter change indicator (Re-set button ) , this needs to be re-set each time the filter is replaced. To do this the vacuum cleaner must be connected to the electricity supply.

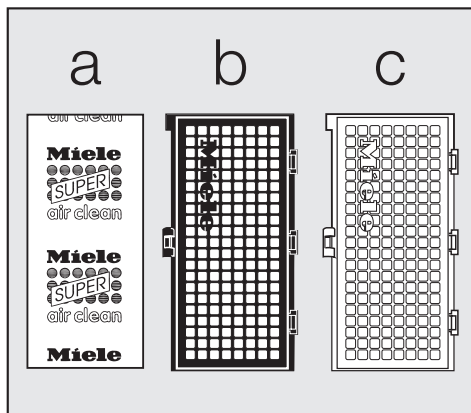
- Press on the filter change indicator light until it goes out. The display is now back in the starting position again.



## Replacing one type of filter with another

Depending on model your vacuum cleaner will be fitted as standard with one of the following exhaust filters:

- a** SUPER air clean,
- b** ACTIVE air clean or
- c** ACTIVE HEPA

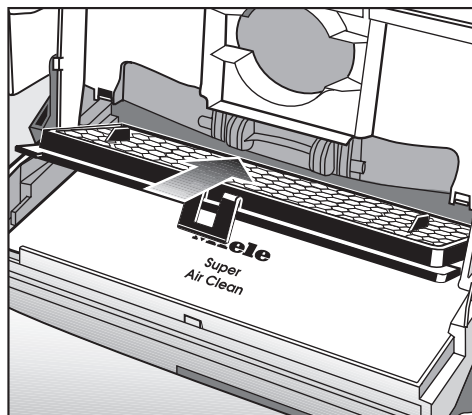



### Please note

1. If you wish to replace the SUPER air clean filter **a** with an ACTIVE air clean filter **b** or an ACTIVE HEPA filter **c**, it is essential that you **remove** the filter grille \* before fitting the new type of filter.

2. If you wish to replace the ACTIVE air clean filter **b** or the ACTIVE HEPA filter **c** with a SUPER air clean filter **a**, then it is essential that you also **fit** the filter grille \*.

\* filter grille - see "Accessories supplied" section.



Some models have a built-in exhaust filter change indicator (Re-set button ) , which is designed for the change cycle of an ACTIVE air clean or an ACTIVE HEPA filter. The filter change indicator light will have no significance if a SUPER air clean filter (a) has been fitted, but should still be re-set by pressing on the filter change indicator light until it goes out.



# Maintenance and care

---

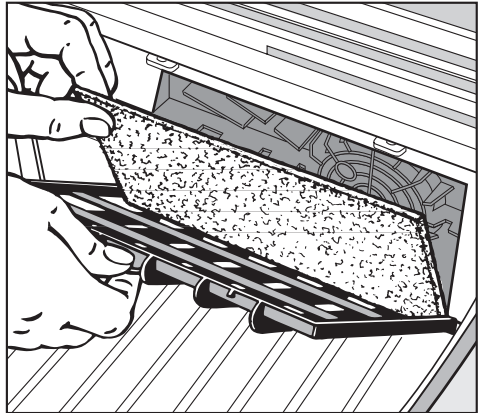
## When to change the dust compartment filter (motor protection)

Replace the dust compartment filter every time you start a new packet of dustbags.

A dust compartment filter is supplied with every packet of Miele dustbags.

## To replace the dust compartment filter

- Open the dust compartment lid.
- Unclip the filter frame, remove the old filter and replace with a new one.
- Close the filter frame.





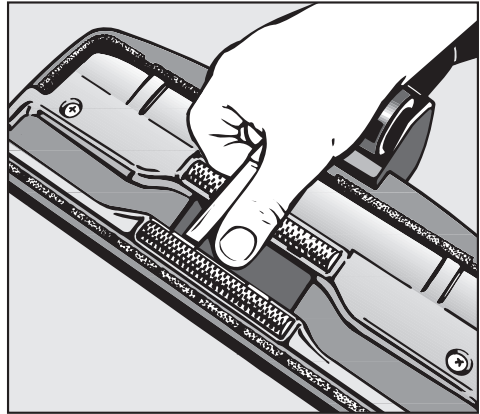
## When to change the thread lifters

The thread lifters on the suction inlet to the floorhead and upholstery nozzle can be replaced.

Check them from time to time and replace them if the pile has worn down.

## To replace the thread lifters

- Use a knife or similar object to remove them from the slots.
- Fit the new thread lifters.

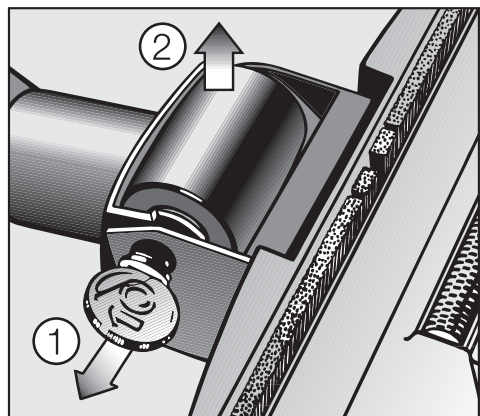


## If threads or hair have wound round the bearing on the floorhead roller:

- ① Use a coin to release the roller pin (bayonet connection) and pull out the pin.
- ② Take out the roller.


Remove all threads and hair etc, then replace the individual parts in the correct order.

Spare parts are available from your Miele dealer or from the Miele Spare Parts Department.



## Cleaning and care

---


 Always disconnect the vacuum cleaner from the electricity supply for maintenance work and for cleaning. Switch off at the wall socket and remove the plug (pull on the plug, not the cable).

### Vacuum cleaner and accessories

External surfaces of the vacuum cleaner and of the accessories can be cleaned with a dry cloth or a slightly damp cloth or with a proprietary cleaner suitable for plastic.


### E-Cloth

A microfibre "E-Cloth" is available from the Miele UK Spare Parts Department, Part Number 98013530, which is suitable for cleaning surfaces such as stainless steel, glass, plastic and chrome without the use of chemicals. It can be washed 300 times.


 Do not use abrasive cleaners, glass cleaners or all-purpose cleaners!  
Because of their chemical composition they could cause serious damage to plastic components.

### Dust compartment

The dust compartment can, if necessary, be cleaned using a dry duster, dusting brush or, if available, a second vacuum cleaner to vacuum the dust out.

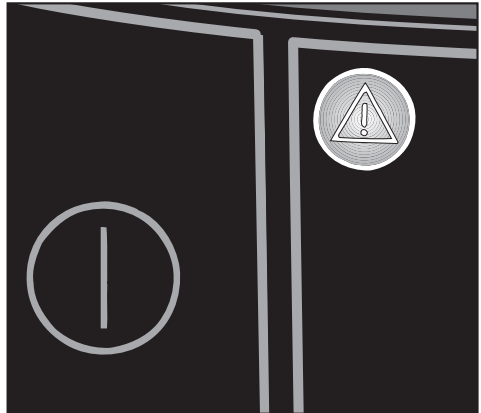
 Do not let the vacuum cleaner get wet. If moisture gets into the appliance there is a risk of electric shock.

### The vacuum cleaner has switched itself off automatically

A temperature limiter switches the vacuum cleaner off automatically if it gets too hot. Some models also have a warning light  which comes on to indicate that it has overheated.

Overheating can occur if, for instance, large articles block the suction tube or the dustbag is full or contains particles of fine dust. A heavily soiled exhaust or dust compartment filter can also be the cause of overheating. Switch off the vacuum cleaner using the On-Off switch.

After removing the cause, wait for a period of approx. 20 - 30 minutes, to allow the vacuum cleaner to cool down. It can then be switched on again.



## After sales service

---

In the event of a fault that you cannot easily remedy, please contact

- your Miele Dealer, or
- the Miele Service Department (see back cover for contact details).

When contacting your Dealer or the Miele Service Department, please quote the model and serial number of your appliance. This information is given on the data plate.

Please note that telephone calls may be monitored and recorded for training purposes.

Certain models are supplied as standard with one or more of the following accessories:

Important: please observe the flooring manufacturer's cleaning and care instructions.

### Electrobrush SEB 216-2

Models designed to take an Electrobrush have a release button on the cover cap to the connection socket. If there is no release button on this cover cap an Electrobrush cannot be fitted.

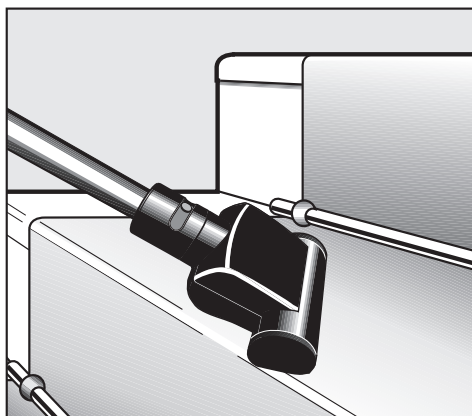
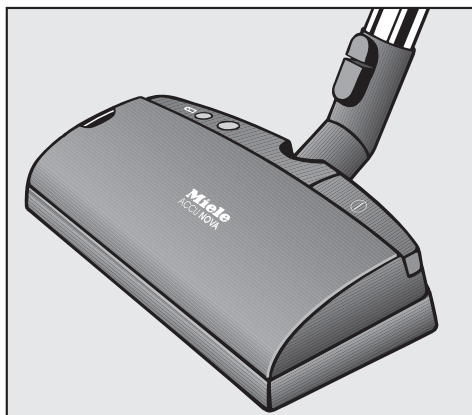
The Electrobrush is particularly suitable for intensive vacuuming of carpets which are subject to hard wear. It is very effective at removing deep seated dirt and preventing areas of frequent use being trodden into a path.

### ACCU NOVA floorhead

This floorhead is battery operated and therefore suitable for use with vacuum cleaners that do not have a socket for an electrobrush.

### Hand-held Turbobrush

The hand-held Turbobrush is intended for vacuuming upholstery, mattresses, car seats, carpeted stairs and other areas inaccessible to the standard Turbobrush.



## Optional accessories

---

### Turbobrush

The Turbobrush is particularly suitable for vacuuming cut pile carpeting. The brush is operated by the suction power of the vacuum cleaner. It has a rotating brush and is very effective at picking up thread, hairs and fluff.



### ALLERGOTEC floorhead

The level of cleanliness of the floor shows in a colour "traffic light" display when vacuuming. The ALLERGOTEC floorhead is designed specially for the daily hygienic cleaning of all floor surfaces.



### Hard floor brush

This brush is designed for use on hard flooring such as tiled or stone floors.



### Parquet floor brush

This brush has natural bristles and is designed for use on parquet floors and other surfaces which are susceptible to scratching such as laminate flooring.



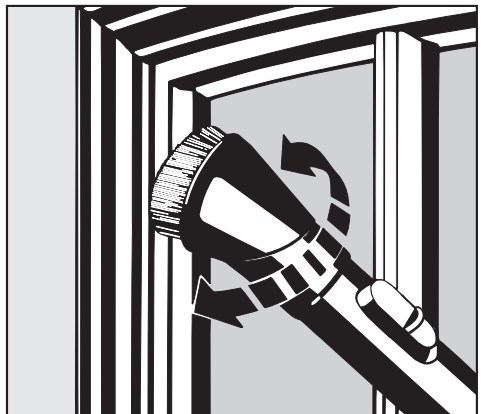
### Universal brush

For dusting books, shelves, etc.



### Dusting brush with natural bristles

This brush is suitable for particularly delicate objects.

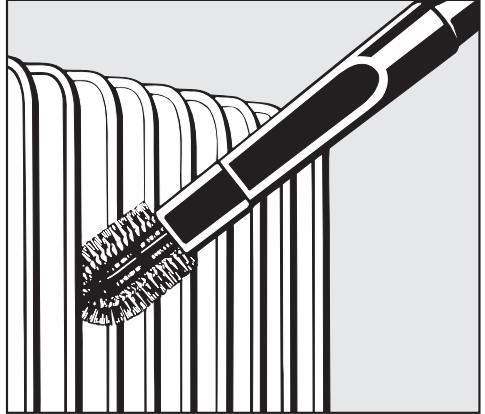


## Optional accessories

### Radiator brush

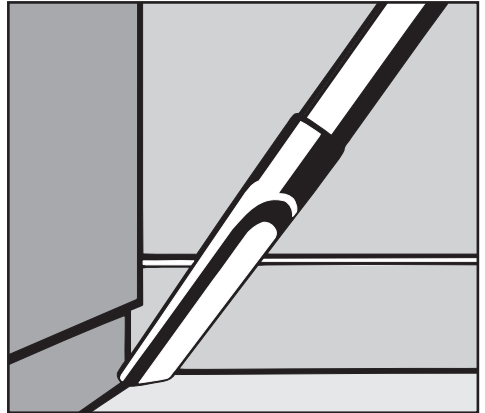
(can only be used if attached to the crevice nozzle)

For cleaning radiators, narrow shelves and crevices.



### Crevice nozzle (300 mm)

For cleaning in folds, crevices or corners.

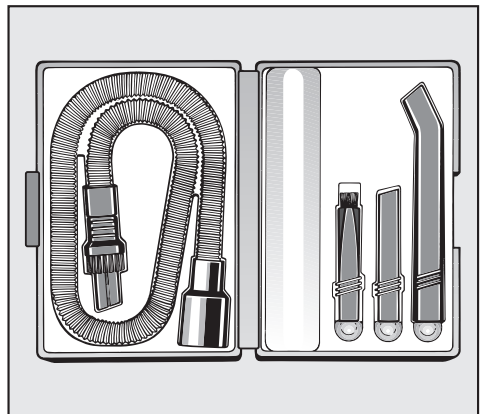


### MicroSet

This set is specially designed for cleaning small objects and difficult to reach areas (such as PC keyboards, stereo equipment, intricately carved furniture and ornaments, models etc).

It consists of:

- Micro-hose with combination nozzle (crevice nozzle and dusting brush)
- Micro-dusting brush
- Micro-crevice nozzle
- Angled extension





### Mattress nozzle

For cleaning upholstery, mattresses, cushions, curtains, covers etc.



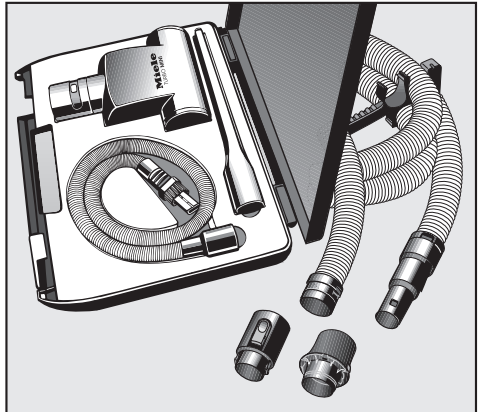
### CarClean Set Plus

The CarClean Set Plus has been designed as an accessory for Miele cylinder vacuum cleaners for valeting the interior of cars.

It consists of:

- Hand-held Turbobrush
- Micro-hose with combination nozzle (crevice nozzle and dusting brush)
- Crevice nozzle (300 mm)

These are supplied in a carry case together with a 3 m long suction hose with hose clip.



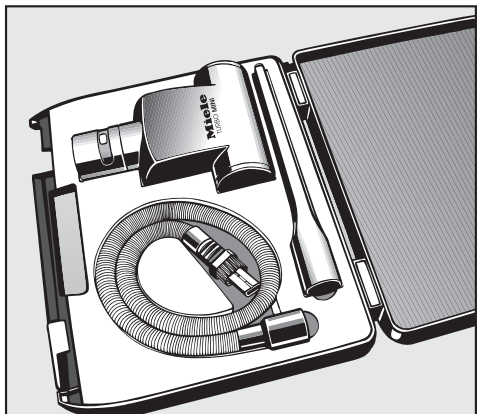
### CarClean Set Vario

The CarClean Set Vario has been designed as an accessory for Miele and non-Miele cylinder vacuum cleaners for valeting the interior of cars.

It consists of:

- Hand-held Turbobrush
- Micro-hose with combination nozzle (crevice nozzle and dusting brush)
- Crevice nozzle (300 mm)
- Adapter for connecting the accessories to a non-Miele vacuum cleaner.

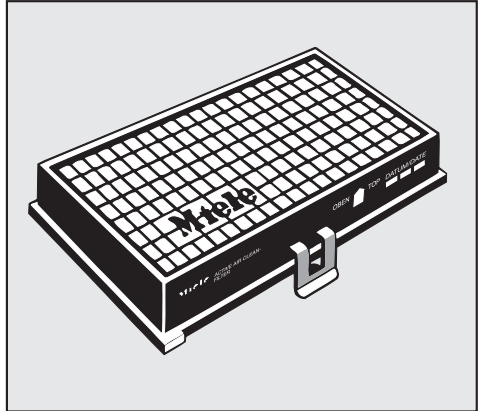
These are supplied in a carry case. This set does not include the 3 m long suction hose with hose clip.



# Optional accessories

## ACTIVE air clean filter

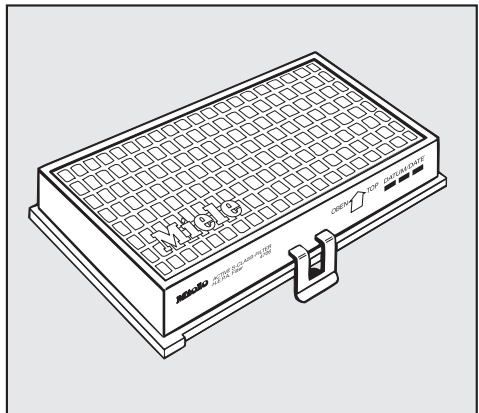
The ACTIVE air clean filter is a special active charcoal filter which absorbs odours from the dust collected in the dustbag. It helps, therefore, to prevent a build-up of odours occurring. Do not use aroma capsules in your cleaner if you use this filter. The charcoal in the filter will absorb their aroma rendering them ineffective. The ACTIVE air clean filter can be used instead of the existing exhaust filter. There is no difference in filtration level between the ACTIVE air clean filter and the SUPER air clean filter. See "Replacing one type of filter with another".



## ACTIVE HEPA filter

This is a particle filter conforming to EN 1822 HEPA Classification 12. It is able to filter out very fine particles and micro-organisms. The active charcoal layer absorbs odours from the dust collected in the dustbag. Vacuum cleaners equipped with this exhaust filter are particularly suitable for allergy sufferers and those concerned with a high level of hygiene. The "ACTIVE HEPA filter" can be inserted in place of the existing exhaust filter. See "Replacing one type of filter with another".

Do not use aroma capsules in your cleaner if it is fitted with this filter.



All electrical work should be carried out by a suitably qualified and competent person in strict accordance with national and local safety regulations.

The voltage and connected load are given on the data plate located underneath the vacuum cleaner. The fuse rating is quoted on the plug. Please ensure that these match the household mains supply.

The appliance is supplied with a cable and moulded plug ready for connection to a 230-240 V/50 Hz a.c. single phase supply.

## **Non-rewireable plugs BS 1363**

The fuse cover must be re-fitted when changing the fuse, and if the fuse cover is lost the plug must not be used until a suitable replacement is obtained. The colour of the correct replacement cover is that of the coloured insert in the base of the plug, or the colour that is embossed in words on the base of the plug, (as applicable to the design of plug fitted).

Replacement fuses should be ASTA approved to BS1362 and have the correct rating. Replacement fuses and fuse covers may be purchased from your local electrical supplier.

**United Kingdom:**

Miele Co. Ltd.  
Fairacres, Marcham Road  
Abingdon, Oxon, OX14 1TW  
tel. Abingdon (01235) 554455  
Service Office: (01235) 554466  
fax (01235) 554477  
Internet: [www.miele.co.uk](http://www.miele.co.uk)

**Ireland:**

Miele Ireland Ltd.  
Broomhill Road, Tallaght, Dublin 24  
Tel: (01) 46 10 710, Fax: (01) 46 10 797  
Email: [info@miele.ie](mailto:info@miele.ie)  
Internet: <http://www.miele.ie>

**Australia:**

Miele Australia Pty. Ltd.  
A.C.N. 005635398  
1 Gilbert Park Drive  
Knoxfield, VIC 3180  
Telephone: (03) 9764 7100  
Fax: (03) 9764 7129  
Internet: [www.miele.com.au](http://www.miele.com.au)

**Distributor New Zealand:**

Steelfort Engineering Company. Ltd.  
500 Rangitikei Street  
Palmerston North, Priv. Bag 11045, NZ  
Telephone: (06) 350 1350  
Fax: (06) 356 1507

**South Africa:**

Miele (Pty) Ltd  
63 Peter Place  
Bryanston 2194  
P.O. Box 69434  
Bryanston 2021  
Tel.: (011) 548 1900  
Telefax (011) 548 1935  
Internet: [www.miele.co.za](http://www.miele.co.za)  
E-mail: [info@miele.co.za](mailto:info@miele.co.za)

**Singapore:**

Miele Southeast Asia  
Miele Pte. Ltd.  
163 Penang Road  
# 04 - 02/03 Winsland House II  
Singapore 238463  
Tel : +65-67351191  
Fax: +65-67351161  
Email: [infosea@miele.com.sg](mailto:infosea@miele.com.sg)  
Internet: [www.miele.sg](http://www.miele.sg)

**Hong Kong:**

Miele (Hong Kong) Limited  
AIA Plaza, 24<sup>th</sup> Floor  
18 Hysan Avenue  
Causeway Bay  
Hong Kong  
Tel.: (852) 2610 1331  
Fax: (852) 2610 1013  
E-mail: [mielehk@miele.com.hk](mailto:mielehk@miele.com.hk)

## Free Manuals Download Website

<http://myh66.com>

<http://usermanuals.us>

<http://www.somanuals.com>

<http://www.4manuals.cc>

<http://www.manual-lib.com>

<http://www.404manual.com>

<http://www.luxmanual.com>

<http://aubethermostatmanual.com>

Golf course search by state

<http://golfingnear.com>

Email search by domain

<http://emailbydomain.com>

Auto manuals search

<http://auto.somanuals.com>

TV manuals search

<http://tv.somanuals.com>