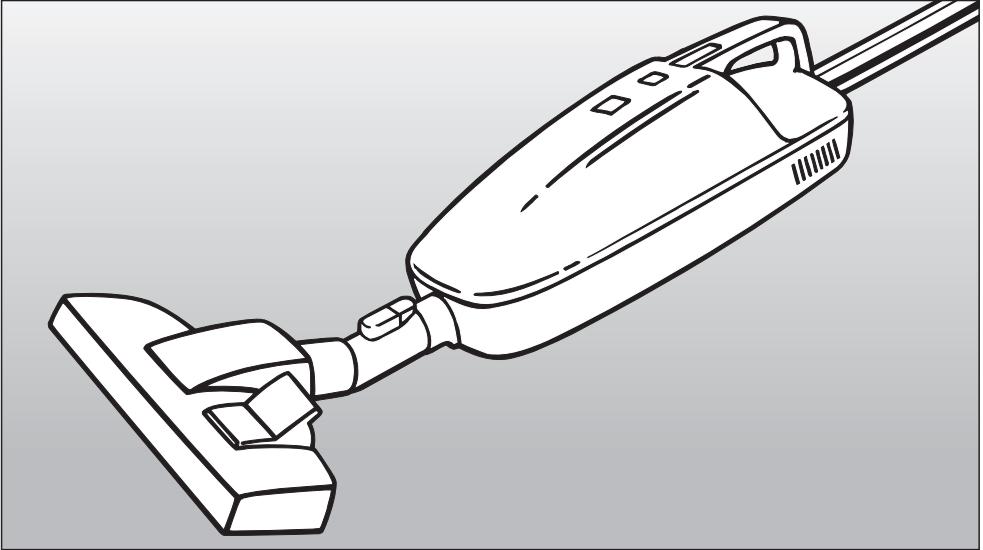


Miele

Operating Manual



Upright Vacuum Cleaner

This operating manual
is to be used for vacuum
models S140 - S157.



M.-Nr. 05 637 900

Contents

Help protect our environment	3
Description of the appliance	4
IMPORTANT SAFETY INSTRUCTIONS	6
MESURES DE SÉCURITÉ IMPORTANTES	9
Assembling the vacuum	12
Connecting the extension tube	12
Connecting the handle	12
Connecting the rug and floor tool	13
Winding up the power cord	13
Included accessories	14
Accessory clip	14
Crevice tool	15
Upholstery nozzle	15
Operation	16
Unwinding the power cord.	16
Adjusting the telescopic wand	16
Plug the vacuum in	16
Turning the vacuum On and Off.	17
Adjusting the suction	17
Setting the rug and floor tool for the type of floor being vacuumed	18
Parking and storing the vacuum cleaner	19
Maintenance and care	20
Suction Level Indicator	21
When should the dustbag and filters be changed?	22
Where to purchase dustbags and filters	22
Replacing the dustbag	23
Replacing the dust compartment filter	24
Replacing the "SUPER air clean" filter	25
Replacing the "ACTIVE air clean" filter or the "HEPA" filter.	26
Changing the thread catcher pads	27
Exchanging Exhaust Filters	28
Maintenance and care	29
Optional Accessories	30
Safety feature	36
After sales service	37

Disposal of the packing material

The box and packaging material are designed to protect the appliance during shipping and are biodegradable and recyclable. Please dispose of these items as you would any other recyclable products.

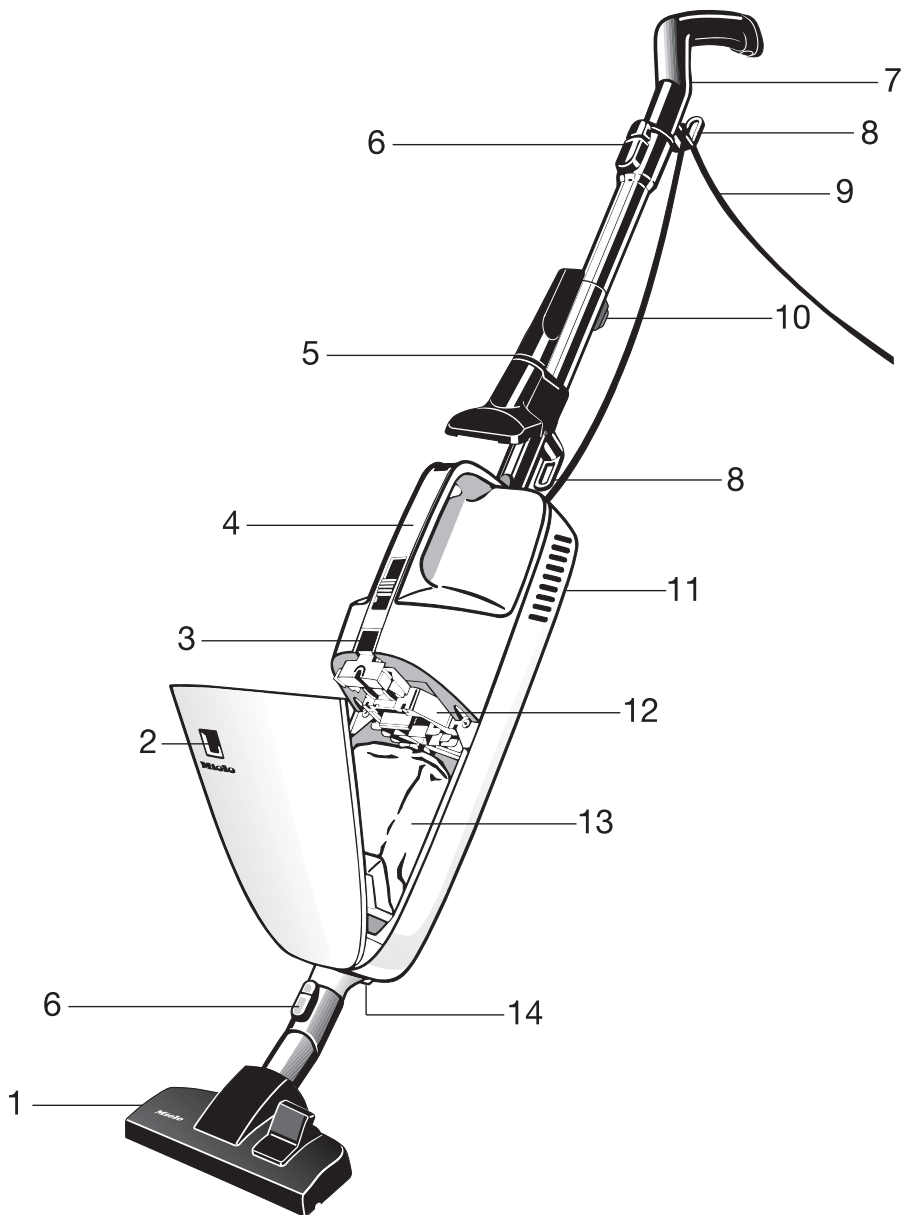
Disposal of an old vacuum cleaner

Before discarding an old vacuum cleaner, please cut off the power cord to render it inoperative and child resistant. Old vacuum cleaners may contain materials that can be reused or recycled. Consult your local waste removal company or recycling center for the proper way to dispose of an old vacuum.

Disposal of the dustbag and filters

Genuine Miele dustbags and filters are made from environmentally friendly materials. They can be thrown out with your household trash, provided the vacuum has not been used on restricted materials.

Description of the appliance



Description of the appliance

- ① Rug and floor tool
- ② Suction level indicator
- ③ Dust compartment release button
- ④ Carrying handle with On/Off switch
- ⑤ Accessory clip *
- ⑥ Locking button
- ⑦ Telescopic handle with anti-slide device and hook
- ⑧ Power cord hook
- ⑨ Power cord
- ⑩ Telescopic wand adjustment button *
- ⑪ Exhaust filter compartment (on rear)
- ⑫ Dust compartment filter
- ⑬ Dustbag
- ⑭ Powerbrush outlet *

The illustration shows all possible features available on Miele vacuum cleaners.

Separate operating instructions for the Powerbrush and electric hose (not shown) are included with models featuring these items.

Features marked with * do not come standard with all vacuums and may not be included with your model.

IMPORTANT SAFETY INSTRUCTIONS

When using an electrical appliance, always observe basic safety precautions, including the following:

READ THESE OPERATING INSTRUCTIONS COMPLETELY BEFORE USING THE VACUUM CLEANER FOR THE FIRST TIME. PLEASE KEEP THESE OPERATING INSTRUCTIONS IN A SAFE PLACE FOR FUTURE REFERENCE.

This vacuum is intended for household use only. Do not use it on people or animals.

WARNING -

The manufacturer cannot accept responsibility for damage caused by improper use, or if the vacuum is used for purposes other than those for which it was designed. Use the vacuum only as described in this manual.

To reduce the risk of fire, electric shock, or injury:

■ Do not use the vacuum outdoors or on wet surfaces.

■ Check the voltage rating of the vacuum cleaner before connecting the power cord to an electrical outlet. Your power supply should correspond to the voltage rating given on the data plate located on the bottom of the vacuum cleaner. Use only household AC outlets. Never use DC power sources. If you are unsure of the voltage supply in your area, consult a qualified electrician. Connecting the vacuum cleaner to a higher voltage than indicated on the data plate may result in damage to the vacuum cleaner and personal injury.

■ Do not leave the appliance when plugged in. Unplug it from the outlet when not in use and before servicing.

■ To reduce the risk of electric shock, this appliance has a polarized plug (one blade is wider than the other). This plug will fit in a polarized outlet only one way. If the plug does not fit fully in the outlet, reverse the plug. If it still does not fit, contact a qualified electrician to install the proper outlet. Do not modify the plug in any way.

■ Only **dry** dirt should be vacuumed with this cleaner.

■ Do not allow the vacuum cleaner to be used as a toy. Pay close attention when the vacuum cleaner is used by or near children.

■ Do not use with a damaged cord or plug. If the appliance is not working correctly, has been dropped, damaged, left outdoors, or immersed in water, bring it to your Miele dealer for servicing.

IMPORTANT SAFETY INSTRUCTIONS

- Do not pull or carry the vacuum by the cord, use the cord as a handle, close a door on the cord, or pull the cord around sharp edges or corners. Do not run the vacuum over the cord and keep it away from heated surfaces.
- Do not unplug the machine by pulling on the cord. To unplug the vacuum, grasp the plug, not the cord.
- Do not handle the plug or appliance with wet hands.
- Turn off all controls before unplugging the vacuum.
- Do not put any objects into the openings. Do not use with any openings blocked; keep the openings free of dust, lint, hair or anything that may reduce the air flow.
- Keep hair, loose clothing, fingers and all parts of the body away from any openings or moving parts.
- Use extra care when vacuuming while on stairs.
- Do not vacuum up flammable or combustible liquids, such as gasoline, or use it in areas where fumes may be present.
- Do not use the vacuum to pick up liquids. This also applies to freshly shampooed carpets or rugs. Wait until they are dry before vacuuming.
- Do not vacuum toner dust. Toner, such as that used in printers and photocopiers can conduct electricity.
- Do not vacuum items that are burning or smoking, such as cigarettes, matches, or hot ashes.
- Do not operate the vacuum cleaner unless a dustbag, dust compartment filter and exhaust filter are in place. Use only genuine MIELE double-layer dustbags, dust compartment filters and exhaust filters (see the "Maintenance and care" section for instructions on how to insert the dustbag and filters).
- The vacuum should only be cleaned when disconnected from the power supply. Use a dry or slightly damp cloth only. Never submerge the vacuum in water or use a dripping wet rag.
- The vacuum cleaner will shut off automatically if it overheats. Overheating can be caused by a clogged hose, a heavily soiled dust compartment or exhaust filter, or a full dustbag. If overheating occurs, correct the problem and wait about 20 - 30 minutes for the motor to cool down. The vacuum cleaner can then be turned on again.
- Miele vacuum cleaner bags are disposable and made to be used only once. Do not attempt to reuse them.
- Only use Miele attachments and accessories. Use of non - Miele designed items will decrease the efficiency of your machine and may be dangerous.

IMPORTANT SAFETY INSTRUCTIONS

■ Do not attempt any repairs other than those listed in the “Maintenance and care” section. Any other required service should be performed by an Authorized Miele Service Agent.

■ When using this appliance in conjunction with a Turbobrush or Electrobrush (if applicable to your model), always unplug the machine before connecting or disconnecting the brush from the body of the machine.

■ Before disposing an old vacuum, cut off the power cord and make it unusable to prevent children from harming themselves.

**SAVE THESE
INSTRUCTIONS**

**THIS VACUUM IS
INTENDED FOR
HOUSEHOLD
USE ONLY.**

**DO NOT USE IT
ON PEOPLE
OR ANIMALS.**

MESURES DE SÉCURITÉ IMPORTANTES

Au moment d'utiliser un appareil électrique, il faut toujours observer des mesures de sécurité, y compris:

LIRE TOUTES CES INSTRUCTIONS POUR L'UTILISATION AVANT D'UTILISER L'ASPIRATEUR POUR LA PREMIÈRE FOIS.

VEUILLEZ CONSERVER CES INSTRUCTIONS POUR L'UTILISATION DANS UN ENDROIT SÛR, POUR LE CONSULTER PLUS TARD.

Cet aspirateur est destiné à l'usage ménager seulement. Ne pas l'utiliser sur des gens ni des animaux.

AVERTISSEMENT -

Le fabricant ne peut pas être tenu responsable des dommages causés par l'utilisation inadéquate de l'aspirateur ou pour des fins autres que celles auxquelles il est destiné. Utiliser l'aspirateur uniquement tel que prescrit dans ce manuel.

Pour réduire les risques d'incendie, de choc électrique ou de blessure:

■ Ne pas utiliser l'aspirateur à l'extérieur ou sur des surfaces mouillées.

■ Vérifier la tension nominale de l'aspirateur avant de brancher le cordon dans une prise électrique. Votre source de courant devrait correspondre à la tension nominale indiquée sur la plaque signalétique située au-dessous de l'aspirateur. Utiliser uniquement des prises de courant CA domestiques. Ne jamais utiliser de prise de courant CD. Si vous n'êtes pas certain de la source de courant dans votre région, consulter un électricien compétent. Si vous raccordez l'aspirateur à une tension plus élevée que celle indiquée sur la plaque signalétique, vous pourriez endommager l'aspirateur et vous blesser.

■ Ne pas laisser l'appareil sans surveillance lorsqu'il est branché. Débrancher l'appareil lorsqu'il n'est pas utilisé et avant l'entretien.

MESURES DE SÉCURITÉ IMPORTANTES

■ Afin de réduire les risques de choc électrique, cet appareil est muni d'une fiche polarisée (une des broches est plus large). Cette fiche ne peut être insérée dans une prise polarisée que d'une seule façon. Si vous ne pouvez pas insérer la fiche dans la prise, inverser la fiche. Si vous ne pouvez toujours pas insérer la fiche, faire installer une prise adéquate par un électricien compétent. Ne pas modifier la fiche d'aucune façon.

■ Aspirer uniquement de la saleté **sèche** à l'aide de cet aspirateur.

■ Ne pas permettre aux enfants de jouer avec l'aspirateur. Une attention particulière est nécessaire lorsque l'aspirateur est utilisé par des enfants ou à proximité de ces derniers.

■ Ne pas utiliser si le cordon ou la fiche est endommagé. Apporter l'appareil chez votre marchand Miele s'il ne fonctionne pas bien, s'il a été échappé, endommagé, oublié à l'extérieur ou immergé.

■ Ne pas tirer ou soulever l'appareil par le cordon. Ne pas utiliser le cordon comme une poignée, le coincer dans l'embrasure d'une porte ou l'appuyer contre des arêtes vives ou des coins. Ne pas faire rouler l'appareil sur le cordon. Garder le cordon à l'écart des surfaces chaudes.

■ Ne pas débrancher l'appareil en tirant sur le cordon. Tirer plutôt sur la fiche.

■ Ne pas toucher à la fiche ou à l'appareil lorsque vous avez les mains mouillées.

■ Mettre toutes les commandes au point d'arrêt avant de débrancher l'aspirateur.

■ N'insérer aucun objet dans les ouvertures. Ne pas utiliser l'appareil lorsqu'une ouverture est bloquée; s'assurer que de la poussière, de la peluche, des cheveux ou d'autres matières ne réduisent pas le débit d'air.

■ Garder les cheveux, les vêtements, les doigts et toutes les parties du corps à l'écart des ouvertures ou des pièces mobiles.

■ User de prudence lors du nettoyage des escaliers.

■ Ne pas aspirer des liquides inflammables ou combustibles tels que de l'essence et ne pas faire fonctionner dans des endroits où des vapeurs sont présentes.

■ Ne pas aspirer de liquides. Ceci s'applique aussi aux moquettes ou tapis fraîchement lavés. Attendre qu'ils aient séché avant de passer l'aspirateur.

■ Ne pas aspirer de matières en combustion ou qui dégagent de la fumée, comme des cigarettes, des allumettes ou des cendres chaudes.

■ Ne pas ramasser la poussière de cartouche. La poussière de cartouche d'imprimante ou de photocopieuse peut être conductible d'électricité.

MESURES DE SÉCURITÉ IMPORTANTES

■ Ne pas utiliser l'aspirateur si le sac à poussière, le filtre à compartiment de poussière et le filtre d'échappement ne sont pas en place. Utiliser uniquement des sacs à poussière à double paroi, des filtres à compartiment de poussière et des filtres d'échappement MIELE (consulter la section "Nettoyage et entretien" pour savoir comment insérer le sac à poussière et les filtres).

■ Nettoyer uniquement l'aspirateur lorsqu'il est débranché de la prise de courant. Utiliser un linge sec ou légèrement humide seulement. Ne jamais immerger l'aspirateur dans l'eau ni utiliser un linge mouillé.

■ L'aspirateur s'arrêtera automatiquement s'il surchauffe. Le surchauffage peut être causé par un boyau obstrué, un sac à poussière plein, un filtre d'échappement ou un filtre à compartiment de poussière très sale. Si un surchauffage se produit, corriger le problème et attendre de 20 à 30 minutes que le moteur refroidisse. Vous pourrez ensuite remettre l'aspirateur en marche.

■ Les sacs d'aspirateur Miele sont jetables et ont été conçus pour une utilisation seulement. Ne pas essayer de les réutiliser.

■ Utiliser uniquement les accessoires et pièces Miele. L'utilisation d'articles non fabriqués par Miele réduira l'efficacité de votre appareil et peut être dangereuse.

■ Ne pas essayer d'effectuer des réparations autres que celles prescrites dans la section "Nettoyage et entretien". Toute autre réparation doit être confiée à un technicien d'entretien autorisé par Miele.

■ Au moment d'utiliser cet appareil avec une brosse électrique ou une brosse turbo (s'il y a lieu), il faut toujours débrancher l'appareil avant de raccorder la brosse sur l'appareil ou de l'enlever.

■ Avant de jeter votre ancien aspirateur, couper le cordon électrique et le rendre inutilisable afin d'empêcher les enfants de se blesser.

CONSERVER CES INSTRUCTIONS

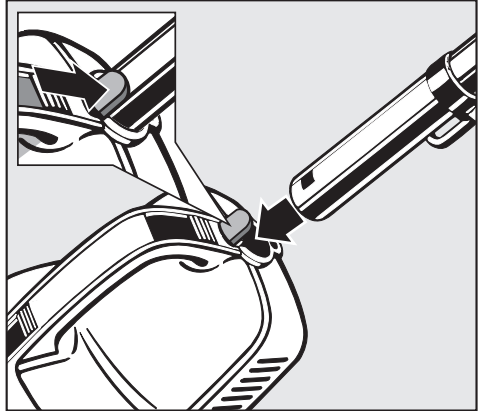
CET ASPIRATEUR EST DESTINÉ À L'USAGE MÉNAGER SEULEMENT.

NE PAS L'UTILISER SUR DES GENS NI DES ANIMAUX.

Assembling the vacuum

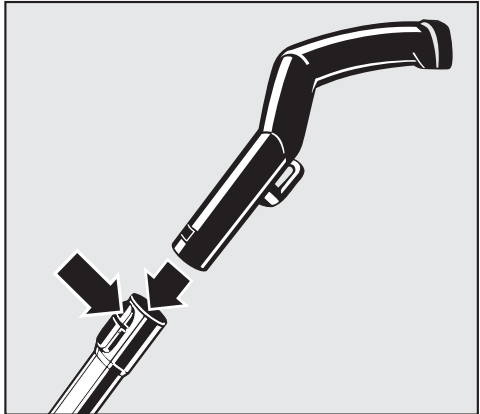
Connecting the extension tube

- With the square hole facing the carrying handle, insert the extension tube into the top of the vacuum body. Gently turn the tube until it locks in place.
- To remove the extension tube, press down on the locking button (see inset) and pull.



Connecting the handle

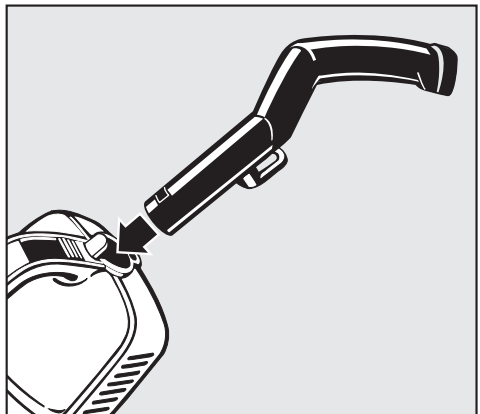
- Lining up the square hole and the locking button, insert the handle into the extension tube. Gently turn the handle until it locks in place.
- To remove the handle, press and hold the locking button (see arrow) while gently turning and pulling off the handle.



The vacuum can be used as a hand held vacuum by connecting the handle directly to the vacuum housing.

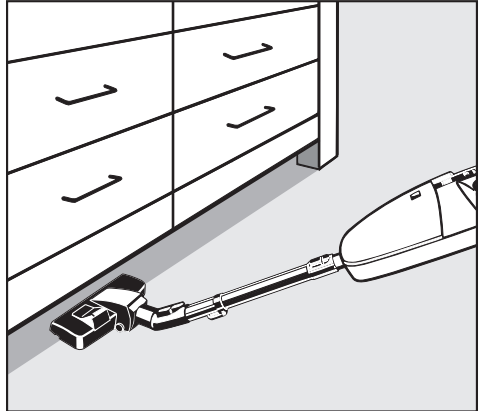
This allows for easier vacuuming of upholstered furniture, mattresses, etc.

In addition
(see next page)



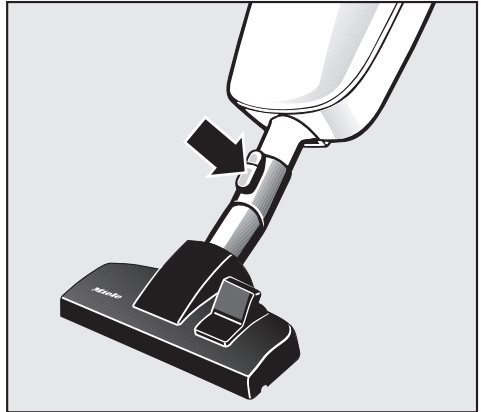
Assembling the vacuum

...the extension tube can also be used as a suction wand to extend the reach of the vacuum, making it easier to clean under furniture.



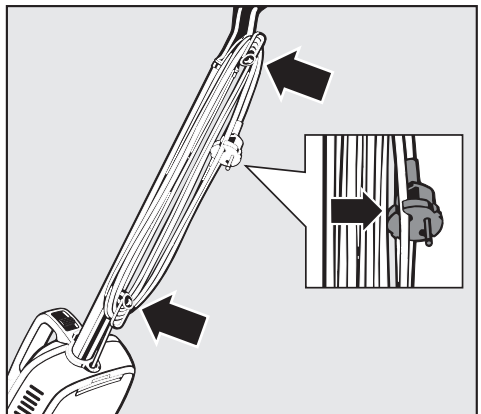
Connecting the rug and floor tool

- Insert the lower tube of the vacuum into the floor brush and gently turn until it locks into place.
- To remove the rug and floor tool, press and hold the locking button and pull the rug and floor tool off of the vacuum tube.



Winding up the power cord

When the vacuum is not in use, the power cord can be wound around the two cable hooks attached to the handle and extension tube. To prevent the cord from unwinding, press the cord into the locking groove of the plug (see inset).



Included accessories

The vacuum cleaner includes the following accessories:

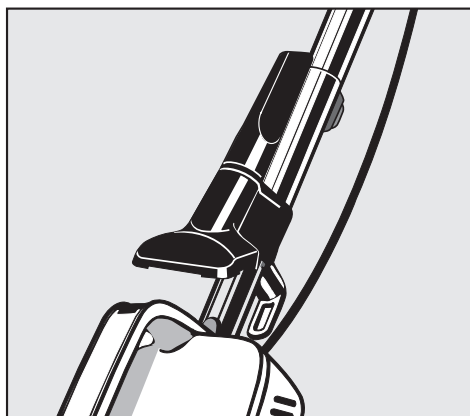
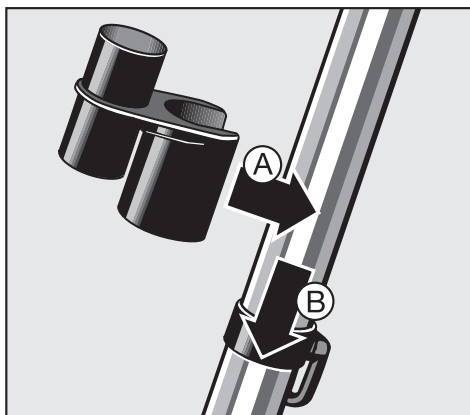
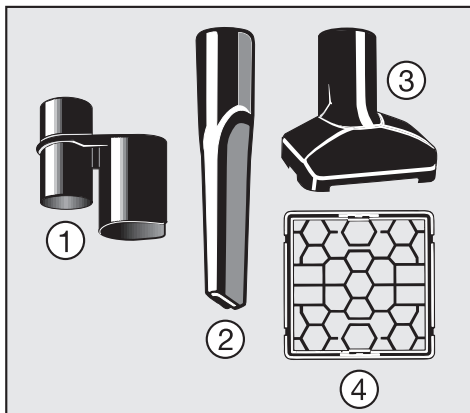
- ① Accessory clip (standard on some models)
- ② Crevice tool
- ③ Upholstery nozzle
- ④ Filter frame

The filter frame is only included with models that come with the "ACTIVE air clean" or "HEPA" filter. It only needs to be used if a "SUPER air clean" filter is to be used instead of the "ACTIVE air clean" or "HEPA" filter (see "Exchanging Exhaust Filters").

Accessory clip

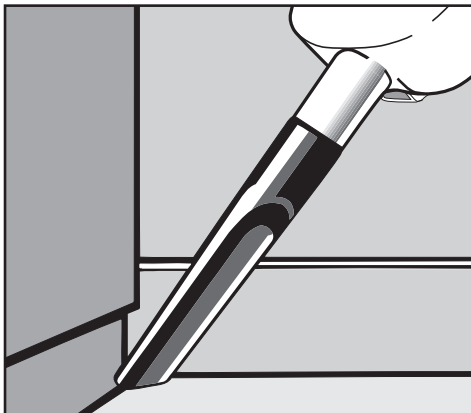
(standard on some models)

- Attach the accessory clip to the telescopic wand for easy access of the crevice nozzle and upholstery brush.
- Attach the accessory clip ① above the power cord hook ② as shown.



Crevice tool

For vacuuming in crevices, corners and narrow places.



Upholstery nozzle

For cleaning upholstery, mattresses, cushions, etc.

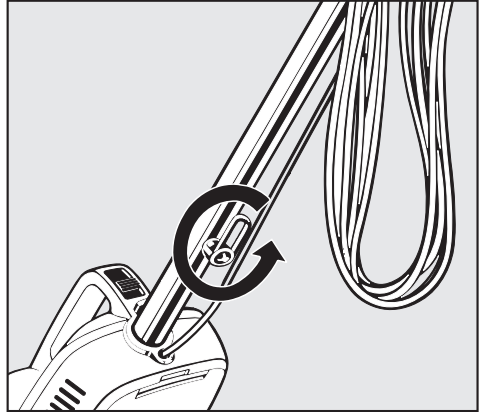


Operation

Unwinding the power cord

The lower cord hook rotates.

- Turn the cord hook so that the lower portion of the wound cord hangs free. The cord can now be easily removed and unwound.

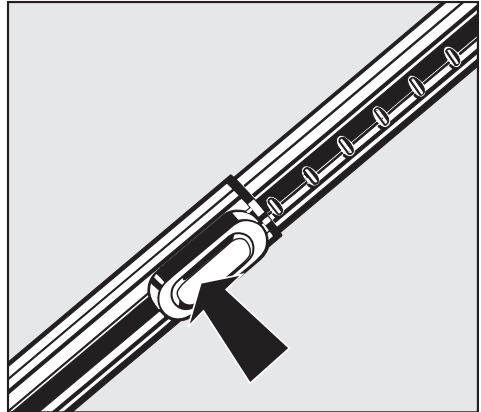


Adjusting the telescopic wand

(depending on model)

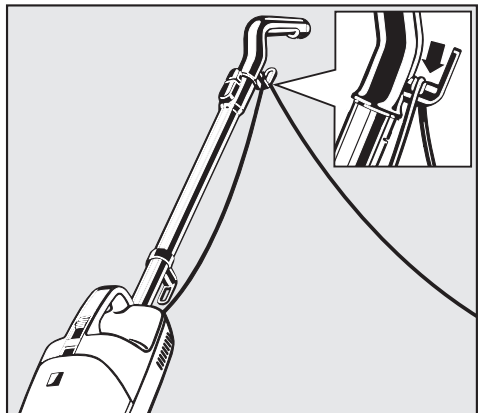
One piece of the telescopic wand is stored inside the other and can be adjusted to suit your height for comfortable vacuum cleaning.

- Press the slide control (see arrow) to release the lock. Pull apart the sections and adjust to the desired height.



Plug the vacuum in

- Plug the vacuum into an outlet protected by a 15 A circuit breaker.
- To prevent the power cord from getting in the way or kinking while vacuuming, hang the unwound cord over the hook on the handle (see inset).



Turning the vacuum On and Off

There are two slide switches located on the handle to turn the vacuum on or off easily whether the vacuum is used up-right or horizontally. Either of these slide switches can be used to operate the vacuum.

Double slide switch

0 = vacuum is off

min = minimum suction

max = maximum suction

- To turn the vacuum On, slide either switch to **min** or **max**.
- To turn the vacuum Off, slide either switch to **0**.

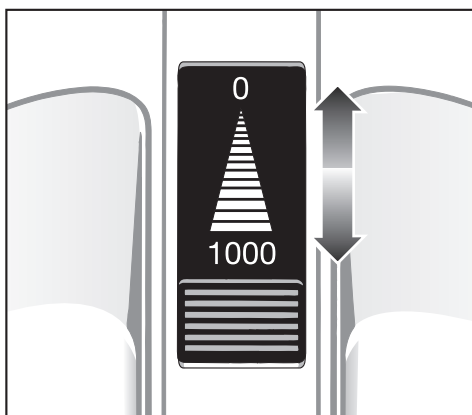
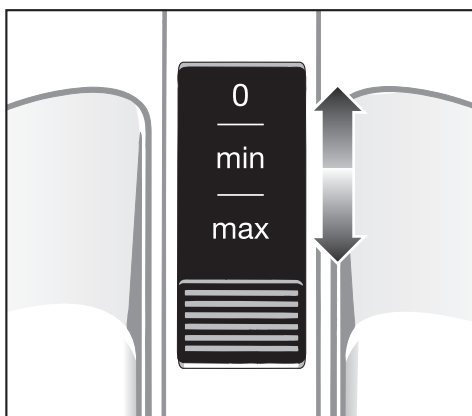
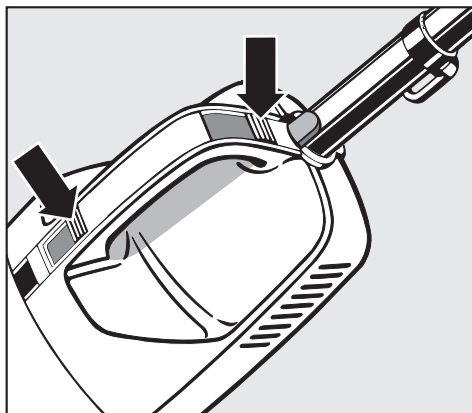
Select **min**, for vacuuming light weight items such as rugs or curtains.

Adjusting the suction

(depending on model)

Some models have an adjustable suction control that allows you to optimize the vacuum's performance to meet different cleaning needs. The suction can be adjusted to the amount of dirt and the type of material that will be vacuumed.

Light weight items such as throw rugs or curtains can be vacuumed at a lower suction level to prevent them from being damaged, while carpets or heavy mats can be vacuumed at the highest setting in order to remove deep seated dirt. The highest setting should also be used if a Turbobrush is connected to the vacuum.




Operation

Setting the rug and floor tool for the type of floor being vacuumed

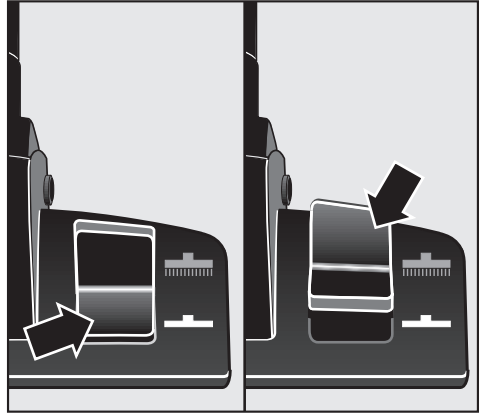
The rug and floor tool has been designed to give excellent cleaning results on either carpeted or smooth floor.

For vacuuming carpets and rugs:

- Set the selector to the  position.

For vacuuming smooth floors:

- Set the selector to the  position.



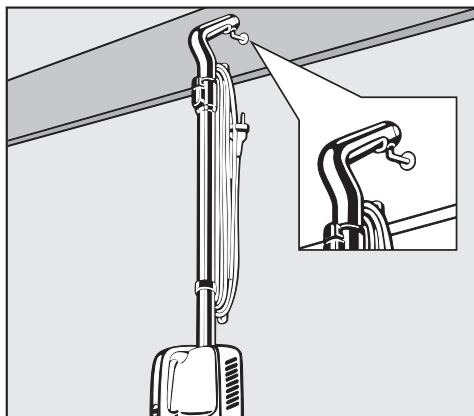
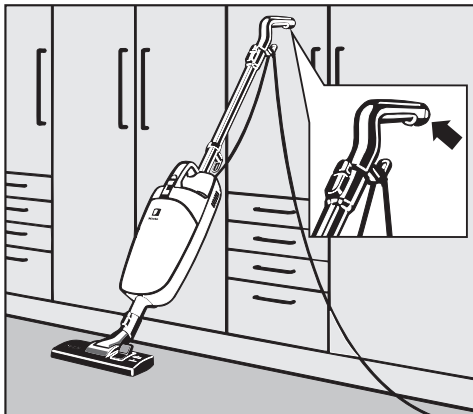
Parking and storing the vacuum cleaner

There is a non-skid rubber bumper on the handle of the vacuum. This allows the vacuum to be leaned upright against a wall if desired.


Before leaving the vacuum make sure it is turned off and leaning against the wall at a safe angle.

To protect the bristle rings on the floor brush, we suggest hanging the vacuum on a wall hook by using the hole located on the bottom of the handle.

For longer term storage, the vacuum can be hung on a wall hook from the hole located on the bottom of the handle.



Maintenance and care

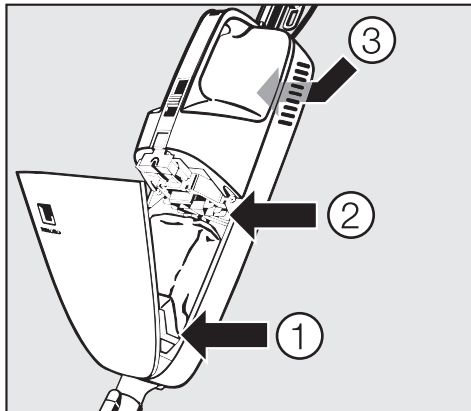
 Turn off and unplug the vacuum before performing any maintenance work.

The Miele Filtering System consists of the following three components.

- ① Double layered dustbag
- ② Dust compartment filter (for motor protection)
- ③ Exhaust filter

Each of these filters must be changed periodically to maintain the vacuum cleaner's efficiency.

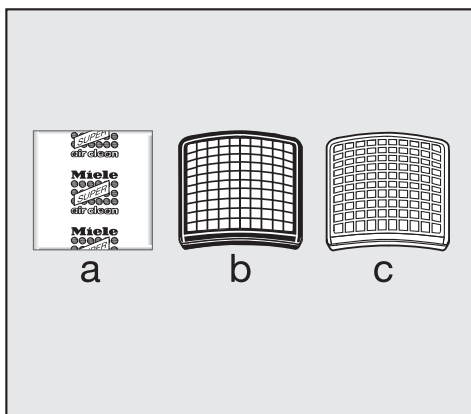
For best results, only use genuine Miele filters and double-layered dustbags, type **K/K**. Technical failures and damage from the use of substitute, inferior dustbags and filters will void any product warranty.



Different types of exhaust filters ③

Your model could have either:

- a** a “SUPER Air Clean filter”,
- b** an “ACTIVE Air Clean filter”
- c** or a “HEPA filter”



Suction Level Indicator

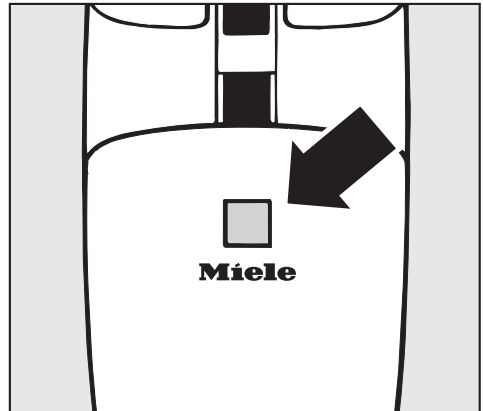
Only test the vacuum's suction level indicator with the rug and floor tool attachment. Using any other attachment will give an inaccurate reading.

- Set the suction power selector, (according to model), to the highest setting and close the air inlet valve.
- Lift the rug and floor tool off the floor.
- The dustbag should be changed if the red marker completely fills the indicator window, even if the dustbag is not completely full.

Please note:

The indicator measures the airflow through the dustbag.

Vacuuming up even a small bit of fine dust such as flour, ash or powder can cause enough of a drop in airflow to cause a "full bag" indication, even though the dustbag may appear almost empty. Since the airflow (suction power) is greatly reduced, the bag should be changed. On the other hand, the dustbag may be bulging with carpet lint or pet fur yet the airflow may still be high enough to prevent the suction level indicator from registering "full". If this occurs the dustbag should be changed.



Either of these extremes can occur during normal use.

The suction level indicator is designed to work when a mixture of the above items, along with hair, sand, etc. are vacuumed, as is generally the case when using the vacuum for normal household cleaning.

We recommend that:

1. If you vacuum a lot of fine dust or sand:
 - Change the dustbag as soon as the red marker fills the indicator window, even if the bag is not full.
2. If you vacuum a lot of hair, pet fur or loose carpet fibers: the suction level indicator will show only reduced suction when in fact the bag is full.
 - Change the dustbag as soon as it physically full, even if the suction level indicator shows that it is not.

Maintenance and care

When should the dustbag and filters be changed?

The Dustbag

The dustbag should be changed when the red marker fills the suction level indicator window or when the bag is full. (Make sure the rug and floor tool is attached when testing the vacuum's suction)

Miele dustbags are disposable and made to be used only once. Do not attempt to reuse them.

The dust compartment filter:

The dust compartment filter should be changed whenever a new box of genuine Miele dustbags is opened.

A dust compartment filter is included with every pack of Miele dustbags.

The exhaust filter

(see page 20 to determine which filter is included with your vacuum):

SUPER air clean filter

Each time you open a new pack of genuine Miele dustbags change the filter. A "SUPER air clean filter" is included with every box of Miele dustbags.

ACTIVE air clean filter

About once a year or as soon as the filter no longer absorbs odors. This filter is sold separately.

HEPA filter

Every 18 months or sooner if the airflow is reduced to an inefficient level. This filter is sold separately.

Where to purchase dustbags and filters

Genuine Miele filters and Type **K/K** dustbags can be purchased from any authorized Miele vacuum dealer.

Technical failures and damage from the use of substitute, inferior dustbags and filters will void any product warranty.

Replacing the dustbag

- Press the dust compartment release button and open the compartment lid.

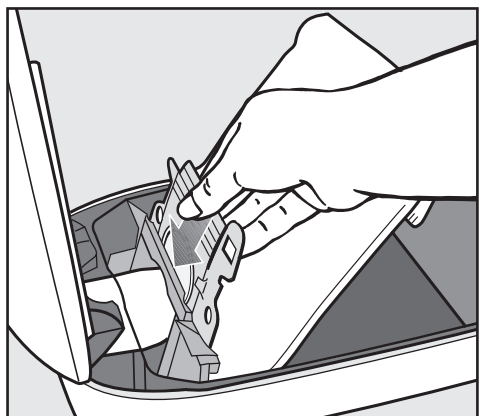
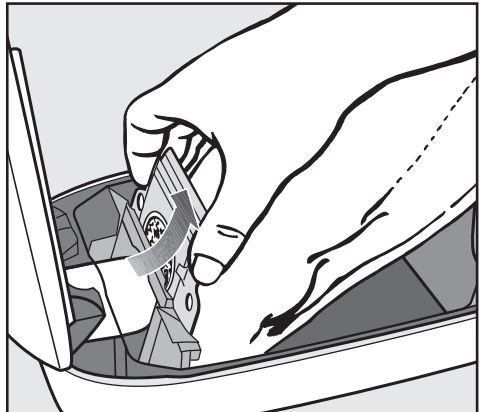
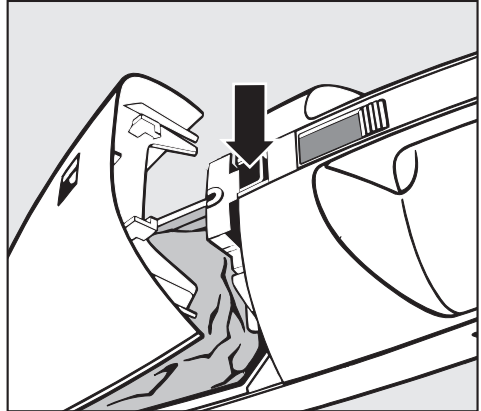
The dustbag has a built in flap that will automatically slide over the hole when the dustbag is removed to prevent any dirt from escaping.

- Grasp the card collar and pull out slightly to seal bag before completely removing it from the dustbag holder.

As long as the vacuum has not been used on restricted or hazardous materials, the dustbag can be thrown out with the household trash.

Do not unfold the dustbag when you take it out of the box. Keeping it folded will prevent it from getting caught when the dust compartment lid is closed.

- Slide the collar of the new dustbag into the empty frame.
- Close the dust compartment lid so that it catches. The dustbag will automatically seat itself over the vacuum intake tube inside of the compartment.

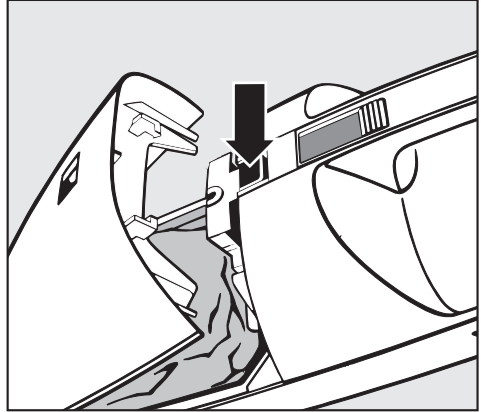


⚠ If the dustbag is not inserted correctly, or it is trapped between the dust compartment lid and the vacuum housing, the lid will not close properly. Do not attempt to force the lid shut!

Maintenance and care

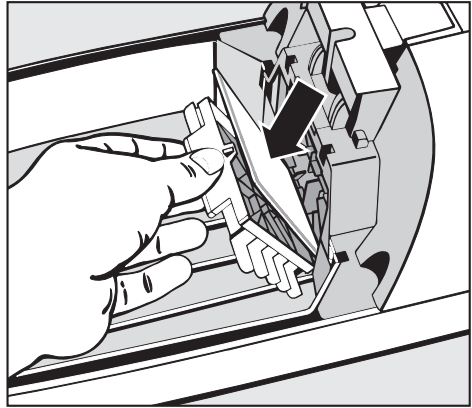
Replacing the dust compartment filter

- Press the dust compartment release button and open the compartment lid.



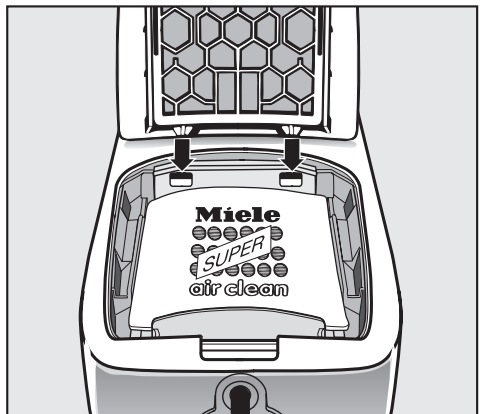
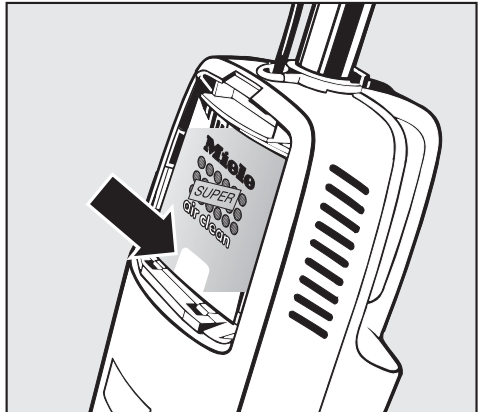
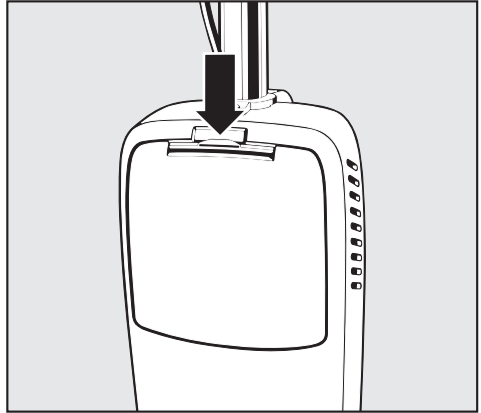
A dust compartment filter is included with every pack of genuine Miele dustbags.

- Open the filter door and replace the used filter with a new one.
- Snap shut the filter door and close the dust compartment lid.



Replacing the "SUPER air clean" filter

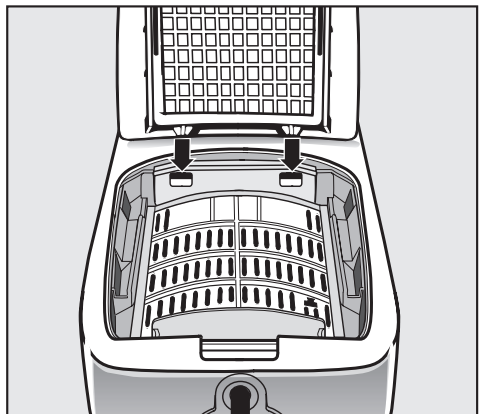
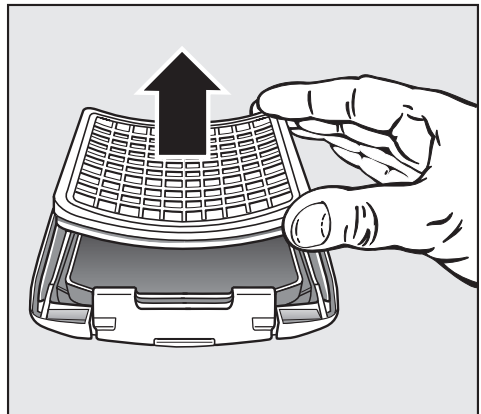
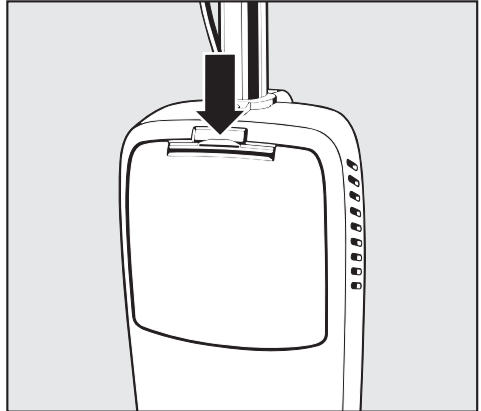
- Press the release button for the exhaust filter compartment lid on the rear of the vacuum and remove the lid.
- Remove the used filter and replace it with a new one.
- Place the locator pins on the bottom of the lid into their respective notches and close the lid.



Maintenance and care

Replacing the "ACTIVE air clean" filter or the "HEPA" filter

- Press the release button for the exhaust filter compartment lid on the rear of the vacuum and remove the lid.
- Write the date of the next scheduled filter change on the label of the new filter.
- Remove the used filter and replace it with the new one.
- Place the locator pins on the bottom of the lid into their respective notches and close the lid.

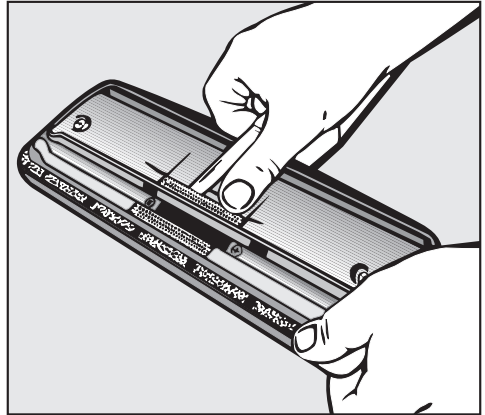


Changing the thread catcher pads

The thread catcher pads on the bottom of the rug and floor tool and the upholstery nozzle should be replaced as soon as they appear to be worn.

- Use a screwdriver as shown to remove the thread catcher pads from their slots.
- Press the new pads into the rug and floor tool or the upholstery nozzle.

New thread catcher pads can be purchased from any authorized Miele vacuum dealer.



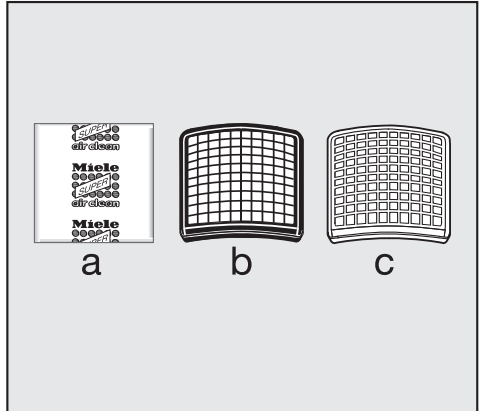
Exchanging Exhaust Filters

Depending on the model, one of the following types of exhaust filters is included with your vacuum.

- a** "SUPER air clean"
- b** "ACTIVE air clean" or
- c** "HEPA"

All of the above filters are interchangeable.

The differences in the filter types is explained in "Optional Accessories".

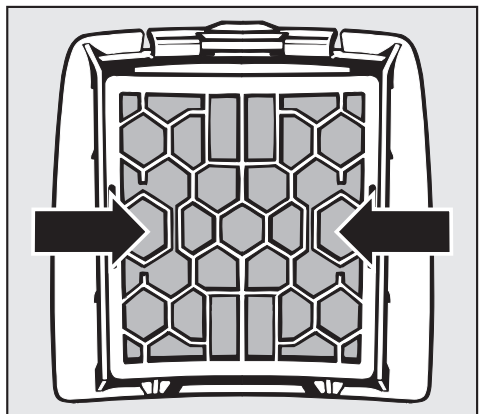



Please note:

1. If you want to exchange filter **a** for filter **b** or **c**, the filter frame attached to the rear of the exhaust filter compartment lid must be removed. The new filter should be installed in its place.
2. If you want to exchange filter **b** or **c** for filter **a**, the filter frame must be installed on the rear of the exhaust filter compartment lid.

Removing or inserting the filter frame


- Grasp the sides of the filter frame at the locations shown in the picture and squeeze. The frame can now be inserted or removed.



 Turn off the vacuum and unplug it from the outlet before performing any maintenance work.


Vacuum and Accessories

The vacuum cleaner and other plastic accessories can be cleaned with a damp cloth or a cleaner made especially for plastics.

 Never use abrasive, glass or all purpose cleaners on the vacuum. These cleaners may chemically react with and damage the plastic components of the vacuum and accessories.

Dust compartment

The dust compartment can be cleaned using another vacuum or a **dry** rag or brush.

 Never immerse the vacuum cleaner in water!

Optional Accessories

Turbobrush

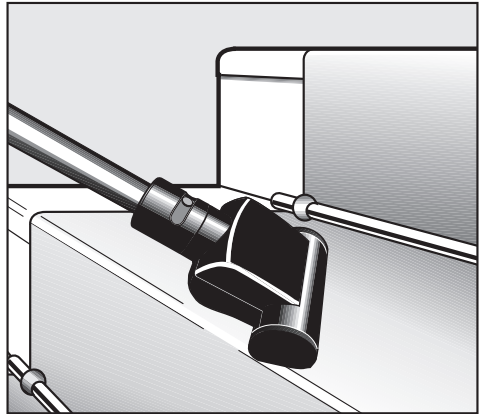
Recommended for cleaning and restoring crushed pile on low-nap carpeting.

The Turbobrush is mechanically driven by the suction power of the vacuum.



Hand Turbobrush

Recommended for vacuuming upholstery, mattresses, car seats, carpeted stairs and other areas not easily reached by the standard Turbobrush.



SEB 217 Powerbrush

(standard on some models)

(can only be used with models having a Powerbrush outlet)

Recommended for cleaning and restoring crushed pile on medium-nap carpeting.



Smooth floorbrush

A soft bristled floorbrush for cleaning tile, wood or other smooth floor surfaces.



Parquet brush

(standard on some models)

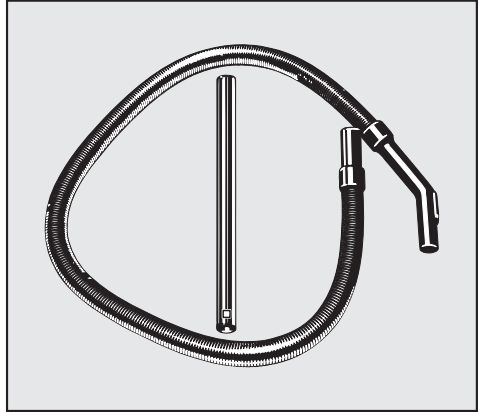
Special brush with real horsehair bristles for cleaning parquet floors, floorboards and flooring susceptible to scratching.



Optional Accessories

Canister vacuum accessories

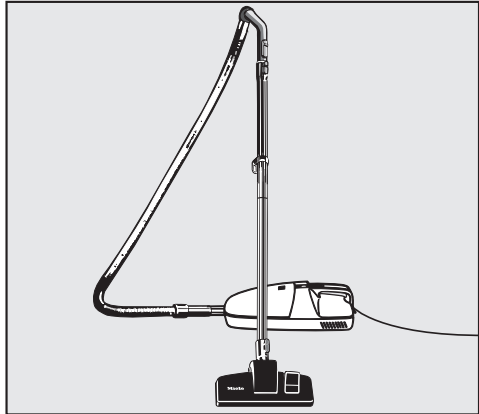
By attaching a hose to the extension tube of the vacuum, the upright vacuum can be used as a canister vacuum.



This allows easy cleaning of taller items such as bookshelves, furniture, blinds, etc. Vacuuming inside closets or under beds is also made easier.

Important

When buying canister accessories for your vacuum, be sure to tell your authorized Miele vacuum dealer the correct model number of your upright so that you may purchase the correct accessories.



Dusting brush

For moldings and carved or ornate items.

The head of the dusting brush swivels and can be turned to the angle best suited to the items being cleaned.



Universal brush

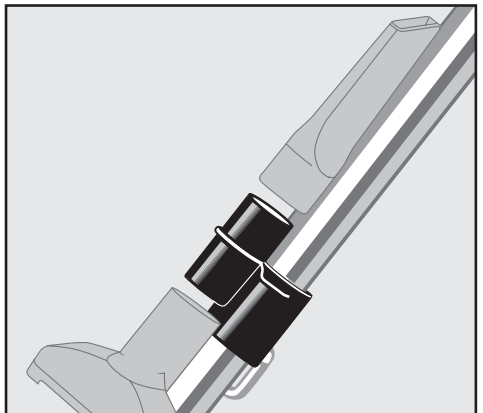
For cleaning books, shelves, etc.



Accessory clip

(standard on some models)

Conveniently holds the crevice tool and upholstery brush on the wand of the vacuum.

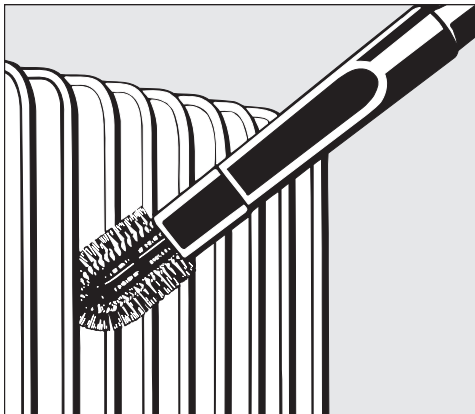


Optional Accessories

Radiator brush

For cleaning radiators, narrow shelves, or crevices.

- Attach the radiator brush to the crevice tool.



Mattress brush

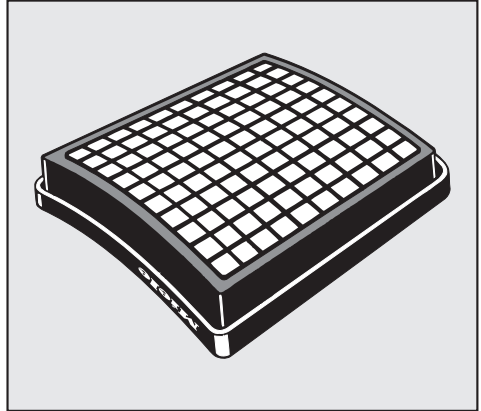
For vacuuming mattresses and upholstery. Even deep crevices between mattresses can be vacuumed easily.



ACTIVE air clean filter

(standard on some models)

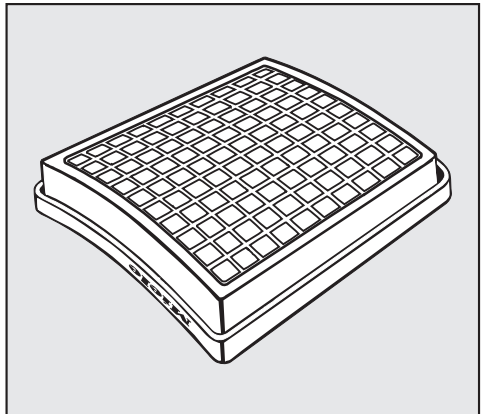
This special active charcoal filter absorbs odors from the vacuumed dust. The "ACTIVE air clean filter" is used in place of the "SUPER air clean filter". There is no difference in the filtration level between the "ACTIVE air clean filter" and "SUPER air clean filter".



HEPA Filter

(standard on some models)

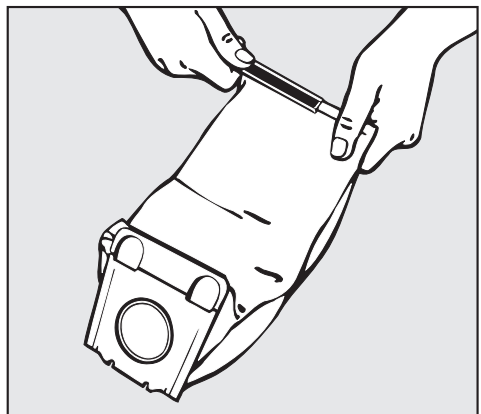
This filter has a very high filtration level, EN 1822. It is capable of filtering out 99.97% of all particles 0.0003 mm in diameter. For larger particles, the filtration level is even greater. Vacuum cleaners equipped with this exhaust filter are recommended for allergy sufferers or anyone wishing to avoid inhaling LDPs (Lung Damaging Particles). The HEPA filter is installed in place of the "SUPER air clean filter".



Cloth dustbag

If desired a reusable cloth dustbag can be used instead of normal dustbags. It can be easily emptied by removing the clamp at the bottom of the bag.

Do not wash the cloth dustbag. Washing will permanently damage the airflow characteristics of the bag.



Safety feature

The vacuum turns itself off

If the vacuum detects an airflow problem, it will shut itself off in order to prevent the motor from over heating.

This can occur anytime the airflow through the machine is impeded. A full or clogged dustbag, clogged filters, or clogged wand or accessory can cause this safety feature to activate. If this occurs, turn off the vacuum and check for any blockages. After 20 to 30 minutes, the vacuum will reset itself, allowing you to turn it on and use it.

In the event of a problem that you can not easily fix yourself, please contact

- your authorized Miele vacuum dealer

or:

- the nearest Miele Technical Service
(see addresses and telephone numbers on back cover)



Miele, Inc.

National Headquarters

9 Independence Way
Princeton, NJ 08540
Phone: 800-843-7231, 609-419-9898
Fax: 609-419-1435
Technical Service: 800-999-1360
www.mieleusa.com

New England Showroom

555 Washington Street
Wellesley, MA 02482
Phone: 781-431-2225
Fax: 781-431-0003

Southeast Regional Headquarters

7680 N. Federal Hwy
Boca Raton, FL 33487
Phone: 561-995-8030
Fax: 561-995-8083

West Coast Regional Headquarters

680 Eighth Street
Suite 169A - Sobel Design Building
San Francisco, CA 94103
Phone: 800-245-8215
415-241-6820
Fax: 415-241-6822

WEST COAST REGIONAL SERVICE 800-245-8215

Southern California Showroom

189 North Robertson Blvd.
Beverly Hills, CA 90211
Phone: 310-855-9470
Fax: 310-358-0238

Mid West Regional Headquarters

3100 West Dundee Road
Suite 901
Northbrook, IL 60062
Phone: 847-714-9433
Fax: 847-714-9434

Miele Limited

Canadian Head Office

55G East Beaver Creek Road
Richmond Hill
Ontario L4B 1E5
Phone: 905-707-1171
Toll-Free: 1-800-565-6435
Fax: 905-707-0177

Internet: www.miele.ca
E-Mail: info@miele.ca
(general enquiries)
E-Mail: service@miele.ca
(technical service)

BC Regional Sales Office

3731 North Fraser Way
Unit 200
Burnaby
British Columbia V5J 5J2
Phone: 604-434-1300
Fax: 604-434-1309

Quebec Regional Sales Office

400 Laurier Avenue West
Suite 600
Montreal
Quebec H2V 2K7
Phone: 514-277-1818
Toll-Free: 1-877-636-4353
Fax: 514-277-1838

Free Manuals Download Website

<http://myh66.com>

<http://usermanuals.us>

<http://www.somanuals.com>

<http://www.4manuals.cc>

<http://www.manual-lib.com>

<http://www.404manual.com>

<http://www.luxmanual.com>

<http://aubethermostatmanual.com>

Golf course search by state

<http://golfingnear.com>

Email search by domain

<http://emailbydomain.com>

Auto manuals search

<http://auto.somanuals.com>

TV manuals search

<http://tv.somanuals.com>