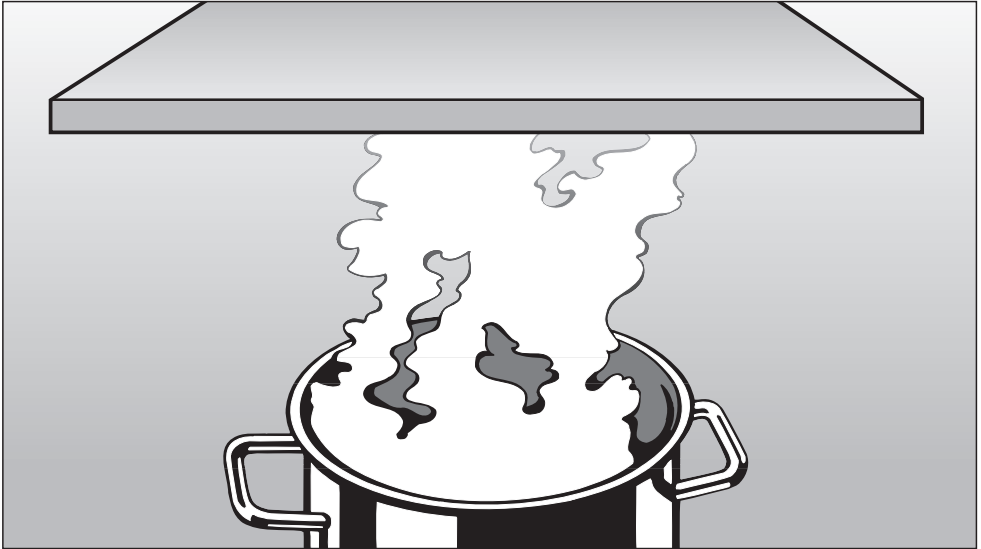


Operating and installation instructions



Cooker hoods

DA 216-2, DA 216-2 EXT

DA 217-2

DA 219-2, DA 219-2 EXT

It is **essential** to read these operating instructions before installing or using the machine, to avoid the risk of accidents or damage to the machine.



M.-Nr. 05 609 490

Contents

Caring for the environment	3
Warning and Safety instructions	4
Description of the appliance	8
Functional description	10
Operation	
Main switch	11
To switch the fan on	11
Selecting the power level	11
Run-on option	11
To switch the fan off	12
Switching the lighting on	12
To switch the lighting off	12
Filter operating hours counter	13
Reading the filter operating hours counter	13
Altering the filter operating hours counter	14
Cleaning and care	
Housing	16
Grease filters	17
Fitting / replacing the active charcoal filters	18
Changing a light tube	19
Appliance dimensions	20
Installation	
Assembly parts	22
Retaining plates	24
Canopy	26
Motor unit	27
Control unit	28
Electrical connection	28
Air extraction	29
Recirculation	30
Extension piece	30
Fitting the tower	32
Connection for air extraction	34
Condensate trap	35
Electrical connection	36
After Sales Service	38
Technical data	39

Disposal of packing material

The transport and protective packing has been selected from materials which are environmentally friendly for disposal and can normally be recycled.

Ensure that any plastic wrappings, bags etc. are disposed safely and kept out of the reach of babies and young children. Danger of suffocation!

Rather than just throwing these materials away, please ensure they are offered for recycling.

Disposal of your old appliance

Old appliances may contain material which can be reclaimed or recycled. Please contact your dealer, your local waste collection centre or scrap merchant about potential recycling schemes.

Ensure that the appliance presents no danger to children while being stored for disposal.

See the appropriate section in the Warning and Safety instructions.

Warning and Safety instructions

This appliance conforms to current safety requirements. Incorrect use can lead to injury and damage to the appliance.

Before installation and before using for the first time read the operating instructions carefully. They contain important information on safety, use and maintenance of the appliance. This way you will avoid the risk of accidents and damage to the appliance.

Keep these operating instructions in a safe place and pass them on to any future user.

Correct usage

■ The appliance is intended for domestic use only.

The manufacturer cannot be held responsible for damage caused by improper use of the appliance.

Technical safety

■ Before connecting the appliance to the mains supply, make sure that the voltage and frequency details on the data plate correspond with the on-site electricity supply. This data must correspond in order to avoid risk of damage to the appliance. Consult a qualified electrician if in doubt.

■ The electrical safety of this appliance can only be guaranteed when continuity is complete between the appliance and an effective earthing system which complies with local and national regulations. It is most important that this basic safety requirement is tested by a qualified electrician. The manufacturer cannot be held responsible for the consequences of an inadequate earthing system (e.g. electric shock).

■ Installation work and repairs may only be carried out by suitably qualified and competent persons to ensure safety. Repairs and other work by unqualified persons could be dangerous and the manufacturer will not be held responsible.

■ This equipment is not designed for maritime use or for use in mobile installations such as caravans, aircraft etc. However, it may be suitable for such usage subject to a risk assessment of the installation being carried out by a suitably qualified engineer.

Warning and Safety instructions

The appliance is only completely isolated from the electricity supply when:

- it is switched off at the wall socket and the plug removed. (Do not pull on the cable, only on the plug), or
- the fuse from the fused spur connection unit is withdrawn or,
- the mains fuse is withdrawn, or
- the screw-out fuse is removed in countries where this is applicable.

Ensure power is not supplied to the appliance while maintenance or repair work is being carried out.

Do not connect the appliance to the mains electricity supply by an extension lead.

Extension leads do not guarantee the required safety of the appliance, (e.g. danger of overheating).

Use

Do not let small children play with the appliance or its controls or operate it. Supervise its use by the elderly or infirm.

Never use an open flame beneath the cooker hood. To avoid the danger of fire, do not flambé or grill over an open flame. When switched on, the cooker hood could draw flames into the filter. Fat particles drawn into the cooker hood present a fire hazard.

When using the cooker hood over a gas hob ensure that any burners in use are always covered by a pan.

Otherwise flames could be drawn up by the suction of the cooker hood, parts of which could then be damaged.

Always switch the cooker hood on when using the hob, otherwise condensation may collect in the hood, which could cause corrosion.

When cooking with oil or fat, chip pans and deep fat fryers etc, do not leave the pans unattended. Never leave an open grill unattended when grilling. Overheated oil and fat can ignite and could set the cooker hood on fire.

Do not use the cooker hood without the grease filters in place. This way you will avoid the risk of grease and dirt getting into the appliance and hindering its smooth operation.

The filters should be regularly cleaned or changed as appropriate. Saturated filters are a fire hazard.

Under no circumstances use a steam cleaner to clean this appliance. Pressurised steam could reach the electrical components and cause a short circuit.

In countries where there are areas which may be subject to infestation by cockroaches or other vermin, pay particular attention to keeping the appliance and its surroundings in a clean condition at all times. Any damage which may be caused by cockroaches or other vermin will not be covered by the appliance guarantee.

Warning and Safety instructions

Installation

The distance between the top of the cooker/hob and the bottom of the cooker hood must measure at least:

- 450 mm above electric hobs and cookers
- 650 mm above gas hobs and cookers
- 650 mm above an open grill from our range

When fitted above an open grill the cooker hood must not be used in recirculation mode.

For non-Miele cooking appliances maintain the safety distance as recommended by the manufacturer in their Installation and Operating instructions. If more than one appliance is fitted beneath the cooker hood and they have different minimum safety distances to the cooker hood, select the greater distance.

Safety regulations prohibit the fitting of a cooker hood over solid fuel stoves.

All ducting, pipework and fittings must be of non-flammable material. These can be obtained from the Miele Spare Parts department or from builders' merchants.

The appliance must not be connected to a chimney or vent flue which is in use. Neither should it be connected to ducting which ventilates rooms with fireplaces.

If exhaust air is to be extracted into a chimney or ventilation duct no longer used for other purposes, seek professional advice.

When using the cooker hood in extraction mode at the same time as another heating appliance which depends on the air in the room, (e.g. gas, oil or coal fired heaters, continuous flow or other water heaters, gas cooker, gas hob or gas oven) special care must be taken, as the action of the cooker hood extracts air from the room, which these types of heater need for combustion.

They could also draw exhaust air back in from chimneys or ducting in contravention of fire safety regulations.

In order to ensure safe operation, and to prevent gases given off by the heating appliances from being drawn back into the room when the extractor and the heater are in operation simultaneously, an underpressure in the room of 0.04 mbar (4 pa) is the maximum permissible.

Ventilation can be maintained by air inlets which cannot be blocked, in windows, doors and outside wall vents, or by other technical measures, such as ensuring that the extractor can only be switched on when the heating appliance is switched off or vice-versa.

N.B: The overall ventilation condition of the dwelling must be taken into account. If in any doubt, the advice of a competent builder or, for gas, a "Corgi" installer must be sought.

If the cooker hood is operated in recirculation mode (with active charcoal filter) then the above restrictions do not apply.

Appliances with external fans

For appliances with an external fan motor fitted (EXT models) the connection of the two units must be made using the connection cable and the plug connectors. Make sure the correct combination of the two appliances has been selected.

Separate instructions are supplied with the external fan.

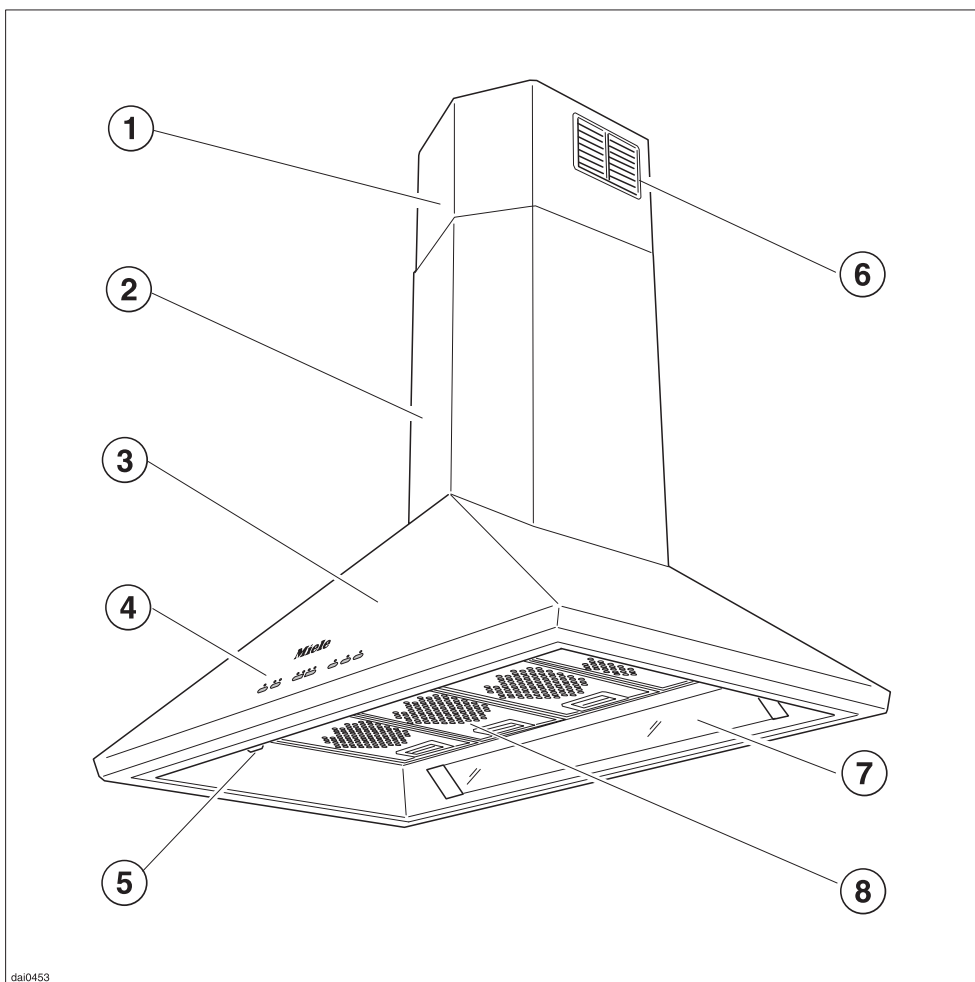
Disposal of your old appliance

Before discarding an old appliance, switch off and disconnect it from the power supply. Cut off and render any plug useless. Cut off the cable directly behind the appliance to prevent misuse.

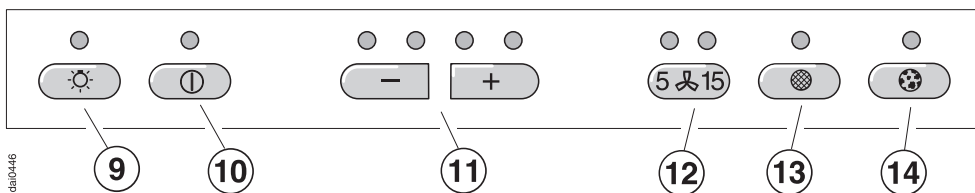
This should be done by a competent person.

The manufacturer cannot be held liable for damage caused by non-compliance with these Warning and Safety instructions.

Description of the appliance



dai0453



dai0446

- ① **Extension piece**
- ② **Tower**
- ③ **Canopy**
- ④ **Control panel**
- ⑤ **Main switch**
- ⑥ **Recirculation grilles**
- ⑦ **Hob lighting**
- ⑧ **Grease filters**
- ⑨ **Touch control for the hob lighting**
- ⑩ **On-Off touch control for the fan**
- ⑪ **Controls to select the Fan power level**
- ⑫ **Touch control for the run-on option**

This control activates the run-on option. The fan is switched off automatically after either 5 or 15 minutes.

⑬ **Touch control for the grease filters**

The indicator light above the grease filter touch control lights up when the grease filters need to be cleaned.

The touch control is used:

- to reset the operating hours counter after cleaning the grease filters (see "Cleaning and Care").
- to show how long the grease filter has been in use (see section on "Operation / Filter operating hours counter").
- to alter the number of hours counted by the filter operating hours counter (see section "Operation / Altering the filter operating hours counter").

⑭ **Touch control for the active charcoal filters**

The indicator lamp above the active charcoal filter touch control lights up when the recirculation mode active charcoal filters need to be replaced.

The touch control is used:

- to reset the operating hours counter after replacing the active charcoal filters (see "Cleaning and Care").
- to show how long the active charcoal filters have been in use (see section on "Operation / Filter operating hours counter").
- to alter the number of hours counted by the filter operating hours counter (see section "Operation / Altering the filter operating hours counter").

Functional description

The cooker hood works with

. . . air extraction

The air is drawn in and cleaned by the grease filters and directed outside.

The cooker hood is fitted with a **non-return flap**.

This flap is closed when the cooker hood is switched off. No exchange of room air and outside air can take place. When the cooker hood is switched on, the non-return flap opens for the cooking vapours to be blown directly outside.

. . . air recirculation:

The air is drawn in and cleaned first by grease filters and then cleaned by active **charcoal filters**. The cleaned air is then recirculated back into the kitchen through a vent in the top of the cooker hood extension piece.

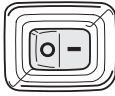
Before using the cooker hood for the first time, ensure that the active charcoal filters are in place, see section on "Cleaning and care".

. . . an external fan

The EXT models are designed to be connected to an external fan located outside the room.

The external fan is connected to the cooker hood by means of a control cable and is operated by the control panel on the cooker hood.

Main switch



Switch the main switch to "I". The fan and the lighting can now be operated.

If the appliance is not going to be used for a longer period of time (e.g. whilst on holiday) switch the appliance off by turning the main switch to "0".

The next time it is switched on the cooker hood will operate at the level previously used.

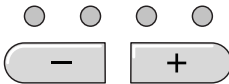
To switch the fan on



- Press the On/Off touch control.

The fan runs at power level "II". The indicator light above the touch control lights up.

Selecting the power level



- Use the -/+ controls to select the power level required.

Touch control + = higher setting
Touch control - = lower setting

Depending on the intensity of cooking vapours levels "I" to "III" (green indicator lamp) are usually sufficient for normal cooking.

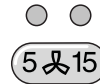
Intensive setting

When frying or cooking food with a strong aroma you may wish to select the Intensive setting (yellow indicator lamp) for a short period.

Run-on option

If the air still needs to be cleared after cooking, the cooker hood can be set to continue running.

The fan is switched off automatically after either 5 or 15 minutes.



- Press the run-on option touch control whilst the fan is still running.

Press once = The fan switches off after 5 minutes.
(left hand indicator lamp)

Press twice = The fan switches off after 15 minutes.
(right hand indicator lamp)

To switch the run-on option off, press the run-on option touch control again.

Operation

To switch the fan off



- Press the On/Off touch control to switch the fan off.

The indicator lamp above the control goes out.

Safety cut-out

Should the cooker hood have been left switched on, the fan will switch off automatically after 10 hours. The lighting remains on.

- Pressing the On/Off touch control will switch the fan back on again.

Switching the lighting on

The hob lighting can be switched on and off independently of the fan.



- Briefly press the lighting touch control to switch on the hob illumination.

The indicator lamp above the touch control lights up.

To switch the lighting off

- Briefly press the hob illumination control to switch the lighting off.

The indicator lamp above the control goes out.

Filter operating hours counter

The number of hours the appliance has been in operation for is stored in memory.



The indicator lamp above the grease filter control will light up after 30 hours of operation. The grease filters must then be cleaned.

After the grease filters have been cleaned and put back in place, the filter operating hours counter must be re-set.

- Press the grease filter touch control for about 3 seconds.

The indicator lamp will go out.

With recirculation mode:



For recirculation mode the operating hours counter needs to be set to the required time:

The indicator lamp above the active charcoal filter control will light up after the cooker hood has operated for the number of hours set. The **active charcoal filters** must then be replaced with new ones.

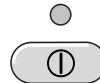
After new active charcoal filters have been put in place, the filter operating hours counter must be re-set.

- Press the active charcoal filter touch control for about 3 seconds.

The indicator lamp will go out.

Reading the filter operating hours counter

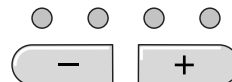
To check the percentage of time set already used:



- Press the On/Off touch control to switch the fan on.



- Press the grease filter / active charcoal filter touch control.



One or several of the indicator lamps above the -/+ touch controls will flash.

The number of flashing lamps shows the percentage of the operating time which has already been used up.

- 1 lamp = 25 %
- 2 lamps = 50 %
- 3 lamps = 75 %
- 4 lamps = 100 %

The operating hours completed remain in memory, even when the machine is switched off or there is a power cut.

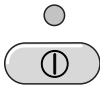
Operation

Altering the filter operating hours counter

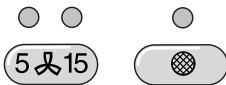
The operating hours counter for the grease filters is set to 30 hours. This can be lengthened or shortened to suit the type of cooking you do. You can choose from 20, 30, 40 or 50 hours.

- Select a short time if you roast or fry a lot.
- If you use very little fat for cooking, select a longer time.
- If, however, you only cook occasionally we recommend that you select a short time because grease which has built up gradually over a long period of time will harden on the grease filters and make cleaning more difficult.

Procedure:

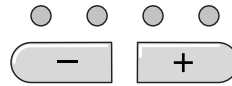


- Press the On/Off touch control to switch the fan off.



- Press the run-on option touch control and the grease filter touch control at the same time.

The indicator lamp above the grease filter touch control and one of the lamps above the -/+ touch controls will flash.



The -/+ touch control lamps show the time which has been set:

- 1st lamp from the left = 20 hours
- 2nd lamp from the left = 30 hours
- 3rd lamp from the left = 40 hours
- 4th lamp from the left = 50 hours

- Use the -/+ touch controls to select the desired time.



- Confirm the selection by pressing the grease filter touch control.

If the procedure is not confirmed within 4 minutes of programming the steps, the cooker hood will automatically revert to the "old" data.

Setting/altering the active charcoal filter operating hours counter

The active charcoal filters are only used for cooker hoods which are set up for recirculation mode. They are not required for vented extraction.

On delivery the operating hours counter for the active charcoal filters is set to **unlimited**.

For recirculation mode the operating hours counter needs to be set to the required time:

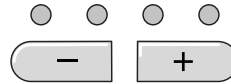


- Press the On/Off touch control to switch the fan off.



- Press the run-on option touch control and the active charcoal filter touch control at the same time.

The indicator lamp above the active charcoal filter touch control and one of the lamps above the -/+ touch controls will flash.



The -/+ touch control lamps show the time which has been set:

- 1st lamp from left = 120 hours
- 2nd lamp from left = 180 hours
- 3rd lamp from left = 240 hours
- 4th lamp from left = unlimited

- Use the -/+ touch controls to select the desired time.



- Confirm the procedure by pressing the active charcoal filter touch control.

If the procedure is not confirmed within 4 minutes of programming the steps, the cooker hood will automatically revert to the "old" data.

Cleaning and care

Before any cleaning or maintenance work the cooker hood must be disconnected from the mains supply.

Ensure that:

- it is switched off at the wall socket and the plug has been withdrawn (do not pull on the cable, only on the plug), or
- the fuse has been withdrawn from the fused spur connection unit, or
- the mains fuse is withdrawn, or
- the screw-out fuse is removed (in countries where this is applicable).

Housing

Warning: The surfaces and controls are susceptible to scratches and abrasion. Please observe the following cleaning instructions:

- All external surfaces and controls can be cleaned using warm water with a little washing up liquid applied with a soft sponge.
- Wipe dry using a soft cloth.

Do not use too much water when cleaning the controls. Water could penetrate into the electronics and cause damage.

Avoid:

- cleaning agents containing soda, acids or chlorides,
- abrasive cleaning agents, e.g. powder cleaners or cream cleaners,
- abrasive sponges, e.g. pot scourers or sponges which have been previously used with abrasive cleaning agents.

These will damage the surface material.

Stainless steel

Stainless steel surfaces can be cleaned using a proprietary non-abrasive cleaning agent designed specifically for use on stainless steel.

To help prevent re-soiling, proprietary conditioning agents for stainless steel can also be used.

Apply sparingly with an even pressure.

E-Cloth

A microfibre "E-Cloth" is available from the Miele UK Spare Parts Department, Part Number 98013530, which is suitable for cleaning surfaces such as stainless steel, glass, plastic and chrome.

Stainless steel coloured controls

These controls may suffer discolouration or damage if soiling is left on them for too long.

Remove any soiling straight away.

Do not use stainless steel cleaning agents on these types of controls.

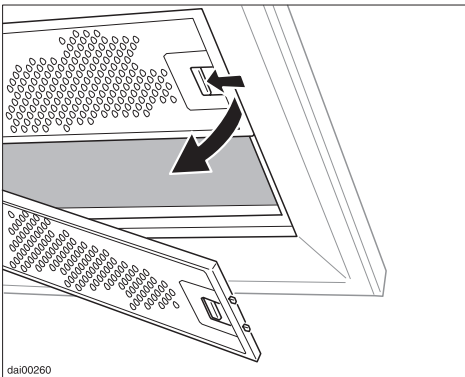
Grease filters

Re-usable metal filters are fitted which remove solid particles (oil, dust, etc.) from the kitchen vapours, preventing soiling of the cooker hood.



The filters should be cleaned regularly (at least every 3-4 weeks) to avoid a build-up of fat, but always clean as soon as the grease filter touch control lamp comes on.

An over saturated filter is a fire hazard.



- To take out the grease filters press the locking clips in towards the middle of the filter. Holding carefully, lower and remove the filter.
- Clean the filters
 - **by hand:** with a nylon brush warm water with a little washing up liquid.
 - **in a dishwasher:** place the filters with the short side upright in the

lower basket, ensuring the spray arm is not obstructed.

Depending on the cleaning agent used, cleaning the grease filters in a dishwasher can cause permanent discolouration to the surface of the filters.

However, this will not affect the functioning of the grease filters in any way.

- After cleaning, leave the filters to dry on an absorbent surface before putting them back in place.
- When removing the filters for cleaning also clean off any residues of oil or fat from the now accessible housing to prevent the risk of these catching fire.

When replacing the grease filters, ensure the locking clips are visible facing down towards the hob.

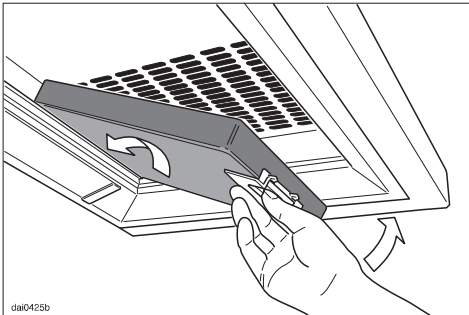
Should the grease filters be put back upside down:

insert a small screwdriver into the slits to disengage them. Do not let them drop on to the hob below.

- After replacing the grease filters, press the grease filter touch control for approx. 3 seconds to re-set the operating hours counter. The indicator lamp will go out.
- If the grease filters are cleaned before the operating hours counter has reached its maximum, the grease filter touch control should be pressed for approx. 6 seconds to reset the counter to zero.

Cleaning and care

Fitting / replacing the active charcoal filters



If the cooker hood is connected for re-circulation, two active charcoal filters must be inserted in addition to the grease filters. These filters absorb normal kitchen odours. They are fitted in the canopy above the grease filters.

Active charcoal filters can be obtained from your dealer or the Miele Spare Parts Department. Refer to the section "Technical data" for type and reference number.

- Before fitting or replacing the active charcoal filters, the grease filters must first be taken out, (see previous section for instructions on how to do this).

The filters are supplied with fitting instructions. Ensure these are carefully followed.

When fitting for the first time:

- Set the operating hours counter to suit your requirements, (see "Operation - Altering the filter operating hours counter").

Always replace the filters immediately if the lamp for the active charcoal filter touch control comes on, or if they are no longer effective in absorbing kitchen odours.

They should, however, be replaced at least every 6 months.

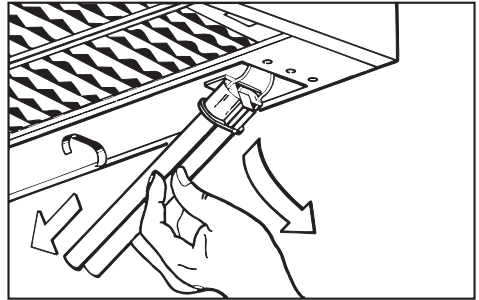
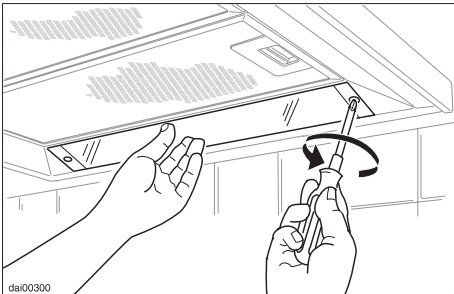


- After fitting new active charcoal filters, press the active charcoal filter touch control for approx. 3 seconds to re-set the operating hours counter. The indicator lamp will go out.
- If the active charcoal filters are replaced before the operating hours counter has reached its maximum, the active charcoal filter touch control should be pressed for approx. 6 seconds to reset the counter to zero.

Changing a light tube

Disconnect the cooker hood from the mains supply. Ensure that:

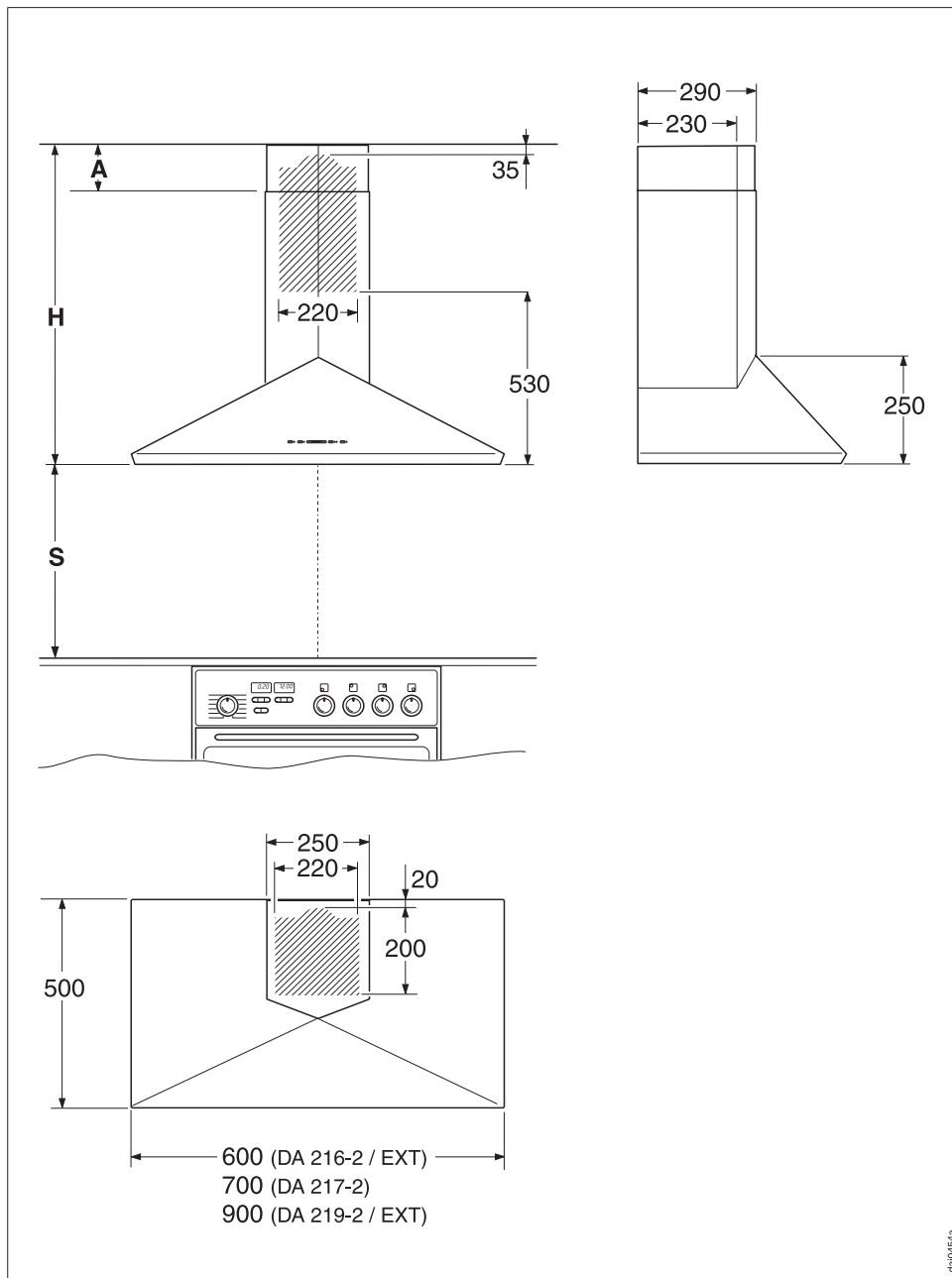
- it is switched off at the wall socket and the plug has been withdrawn (do not pull on the cable, only on the plug), or
- the fuse has been withdrawn from the fused spur connection unit, or
- the mains fuse is withdrawn; or
- the screw-out fuse is removed (in countries where this is applicable).



- Carefully lower the light tube downwards and pull out.
- Change the light tube and push back upwards into place.
- Put the glass cover back in place and secure with the glass holder.

- Unscrew the fixing screw of either the right or left hand holder for the glass cover.
When doing this, push the glass cover upwards so that it does not fall on the hob surface.
- Take off the glass cover holder.
- Then take out the glass cover, guiding it downwards at an angle.

Appliance dimensions



da#0454a

Safety regulations prohibit the fitting of this cooker hood over a solid fuel stove.

For safety reasons a **minimum safe distance** must be maintained between the top of the hob / cooker and the bottom of the cooker hood:

- 450 mm above electric hobs / cookers
- 650 mm above gas hobs / cookers
- 650 mm above an open grill from our range.

See "Warning and Safety instructions" for further information.

A distance of 650 mm may be preferable above electric hobs / cookers to give more working space.

When deciding dimension **S** ensure that the minimum specified safety distance between the hob / cooker and the cooker hood is maintained. If the hood is fitted flush to the ceiling make sure that the remaining distance to the ceiling is not greater or less than appliance height **H**.

Appliance height **H**:

DA 216-2

Extraction and EXT 700* -940 mm

Recirculation 790 -1025 mm

DA 217-2

Extraction 710* -950 mm

Recirculation 800 -1035 mm


DA 219-2

Extraction and EXT 730* -970 mm

Recirculation 820 - 1055 mm

* With air extraction to the rear through a wall the total height must be at least 790 mm.

To fit the tower, distance **A** between the top of the tower and the ceiling must be at least 20 mm.

 The shaded area represents the wall or ceiling area for the vent cut-out, for feeding the connection cable through to an external fan and for fitting the connection socket.

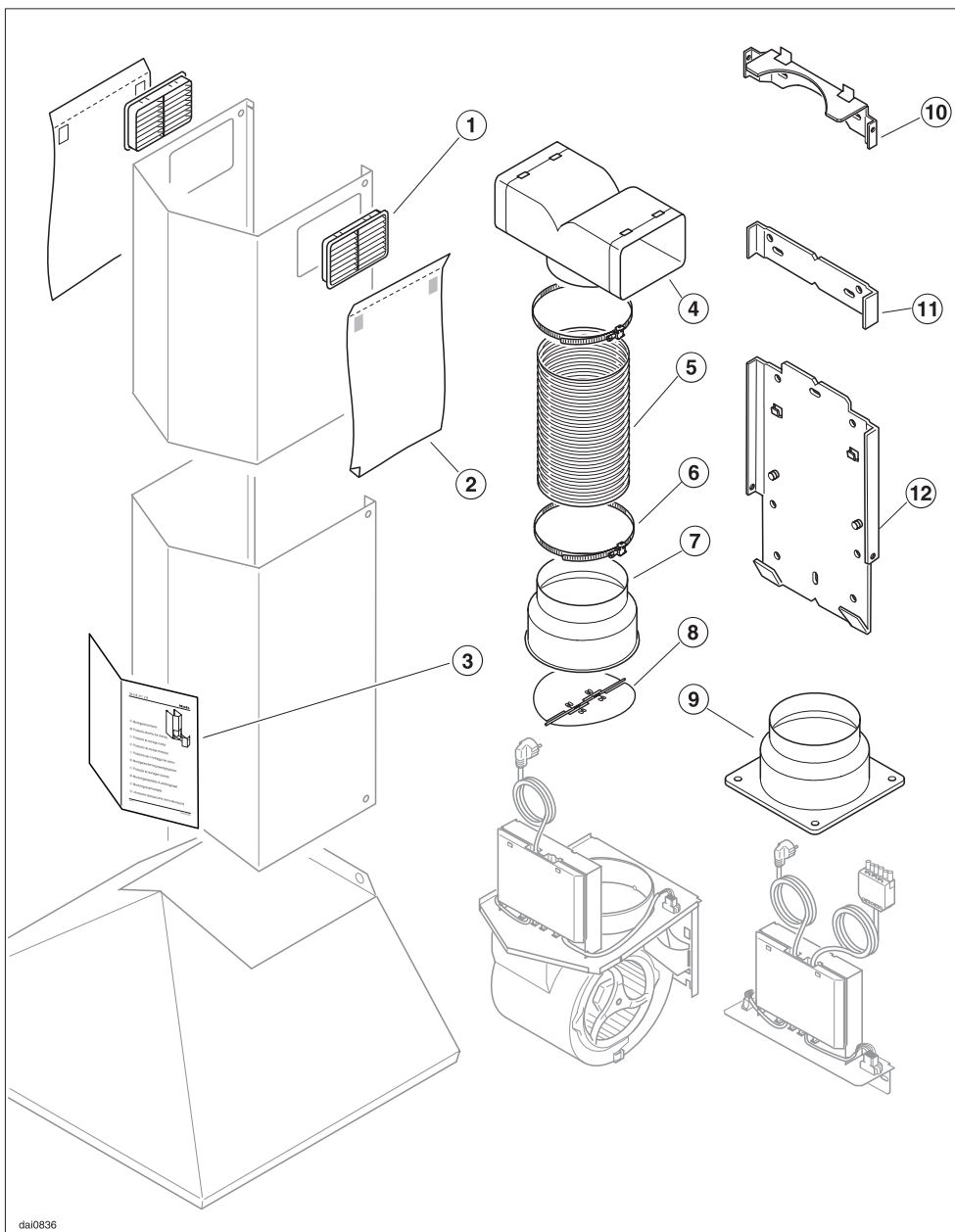
(For recirculation mode the connection socket may only be fitted in a wall area).

Connection for air extraction

ø 150 mm or ø 125 mm with reducing collar.

Installation

Assembly parts



dai0836

① **2 recirculation grilles**

(for recirculation mode only)

② **2 protective sheets**

for use when fitting the tower.

③ **1 protective sheet**

for use when fitting the tower.

④ **1 directional unit**

(for recirculation mode only)

⑤ **1 flexible aluminium hose** for connecting the directional unit to the exhaust socket on the motor unit (not on EXT models).

⑥ **2 hose clips** for securing the exhaust ducting.

⑦ **1 reducing collar**

for exhaust ducting \varnothing 125 mm (not on EXT models).

⑧ **1 non-return valve** for fitting into the exhaust socket on the motor unit (for extraction mode only, not on EXT models).

⑨ **1 exhaust connection** for fitting in the canopy (only with EXT models).

⑩ **Upper retaining plate B** for securing the extension piece.

⑪ **Middle retaining plate C** for additional stability of the tower.

⑫ **Lower retaining plate A** for securing the canopy and the motor unit.



12 large headed screws 5 x 40 mm and

12, S 8 plugs for securing the retaining plates and the canopy.



2 M 6 locking nuts for securing the motor unit/control unit.



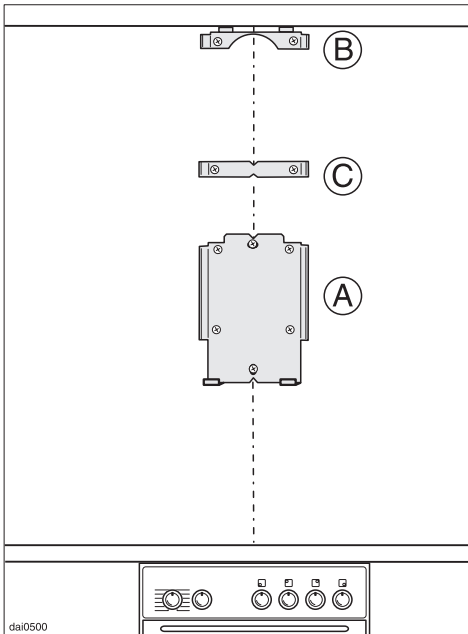
4 screws 3.9 x 7.5 mm for securing the tower and the extension piece.



4 screws 4.2 x 13 mm for securing the exhaust socket in the canopy (only with EXT models).

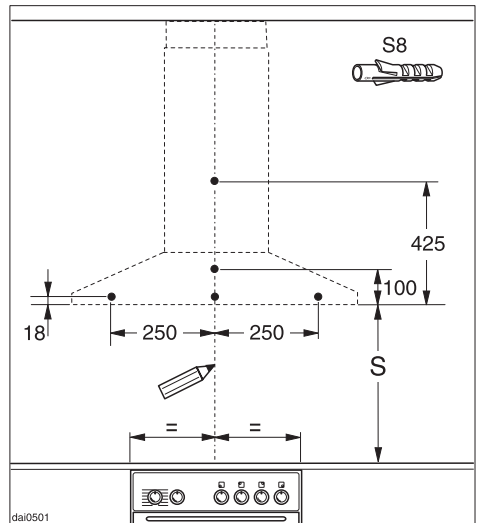
Installation

Retaining plates



There are three retaining plates A, B and C for fixing the cooker hood to the wall.

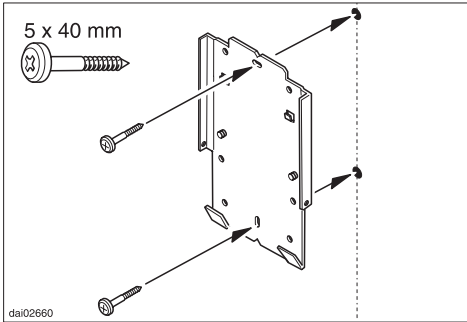
First of all drill the holes for attaching the canopy and for fitting retaining plate A.



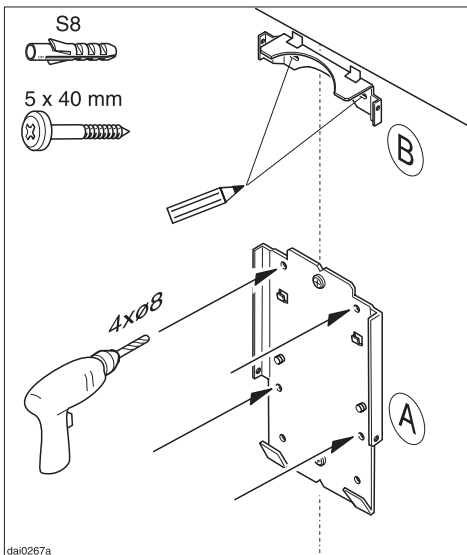
- Before fitting the retaining plate draw a vertical line centrally above the hob on the back wall.
- Mark measurement **S** from the hob surface upwards (see "Appliance dimensions"). This marks the height of the lower rim of the cooker hood.
- DA 216-2 / EXT, 217-2:
Drill an 8 mm \varnothing hole on the middle line 18 mm above the height marked **S**. Insert an S8 plug into the hole.
- DA 219-2 / EXT:
Drill two 8 mm \varnothing holes, 18 mm above the height marked **S** and 250 mm right and left of centre. Insert S8 plugs.

Retaining plate A

- Drill two 8 mm \varnothing holes, one at **S** + 100 mm and one at **S** + 425 mm on the centre line for the retaining plate (see "Appliance dimensions"). Insert S8 plugs.



- Lightly secure retaining plate A into position using 5 x 40 mm screws through the two holes and use the notches to align with the middle line.

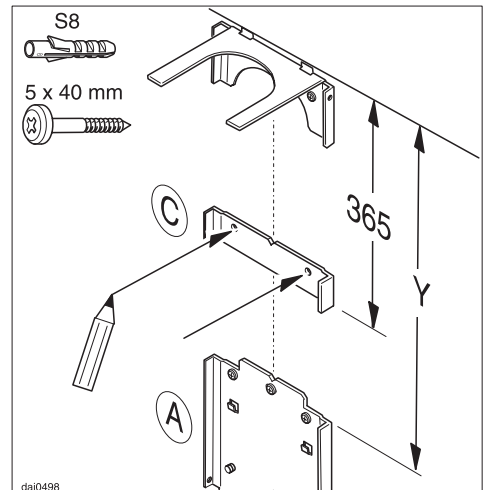


- Drill 4 more 8 mm \varnothing holes through the now fitted retaining plate and press S8 plugs into the holes.
- Screw two 5 x 40 mm screws into the upper two holes.

Retaining plate B

- Hold retaining plate B to the wall and push up until it is directly below the ceiling. Use the notches and the middle line to align it horizontally. Mark the 2 drill holes on the wall.
- Drill two, 8 mm \varnothing holes into the wall, and push the S8 plugs into the holes.
- Screw on the retaining plate with two 5 x 40 mm screws.

Retaining plate C



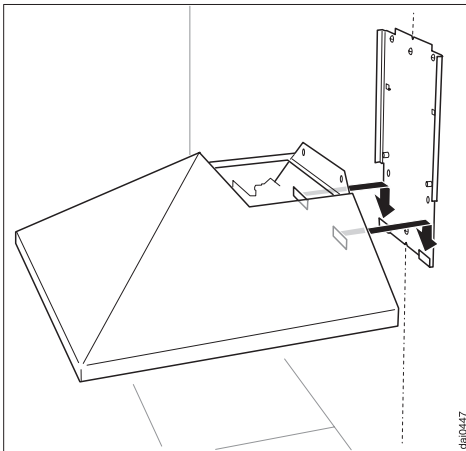
Retaining plate C only needs to be fitted if dimension Y is greater than 365 mm. It provides additional stability for the extension piece.

Installation

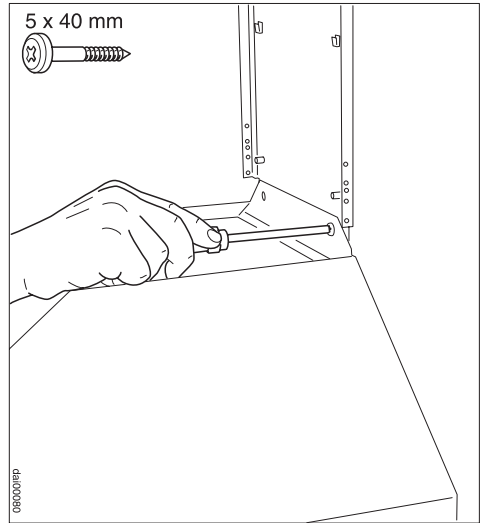
- At a maximum distance of 365 mm from the ceiling, hold retaining plate C against the wall and use the notches to align it with the middle line. Mark the two drill holes.
- Drill two 8 mm \varnothing holes into the wall and press the S8 plugs into the holes.
- Screw on retaining plate C with two 5 x 40 mm screws.

Canopy

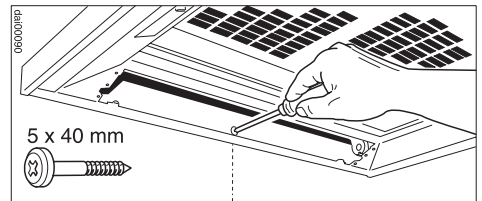
- Before fitting the canopy the glass cover of the lighting tube must first be removed (see relevant section in "Cleaning and care").



- Hang the canopy on the angle brackets on retaining plate A.



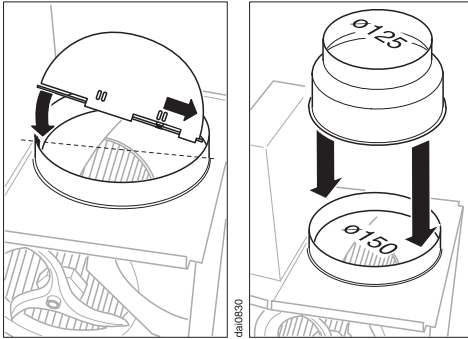
- Secure the canopy. Secure the canopy with 5 x 40 mm screws into each drilled hole.



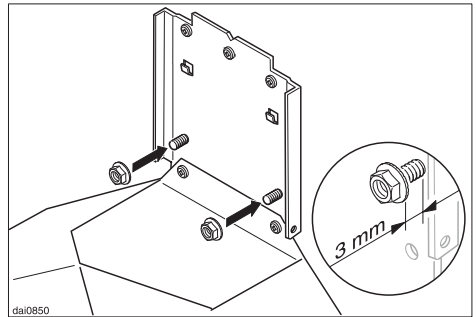
- DA 216-2 / EXT, 217-2:
Secure the canopy with a 5 x 40 mm screw.
- DA 219-2 / EXT:
Secure the canopy with two 5 x 40 mm screws.
- Replace the glass cover.

Motor unit

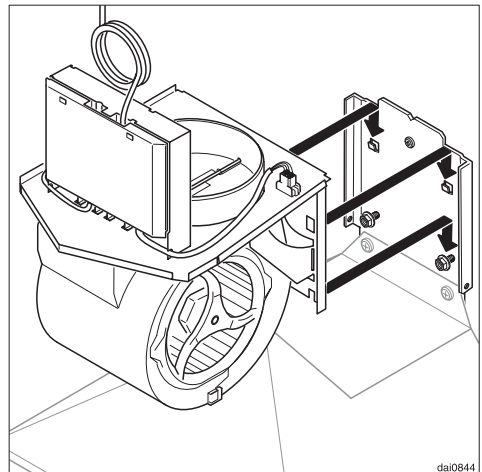
(not when operating the external fan)



- with air extraction
If a non-return flap is not present in the venting system, the **non-return flap** supplied must be fitted into the exhaust connection in the motor unit. The flaps must open upwards.
- The cooker hood is designed to take \varnothing 150 mm exhaust ducting. If 125 mm \varnothing exhaust ducting has to be used the **reducing collar** needs to be fitted into the exhaust connection on the motor unit. (see "Connection for air extraction".)
- With recirculation mode:
Fit the reducing collar onto the exhaust connection.
The non-return flap is not required.



- First loosely screw the two locking nuts onto the threaded bolts on retaining plate A. Leave a gap of approx. 3 mm for hanging the motor on afterwards.



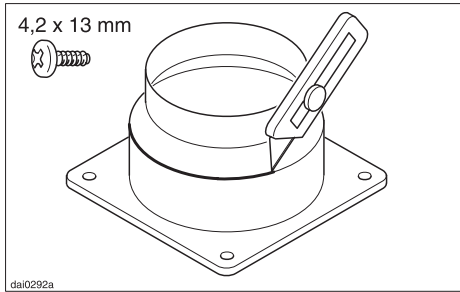
- Fit the motor unit onto the hooks on retaining plate A and slide down behind the nuts.
- Tighten the nuts.

Installation

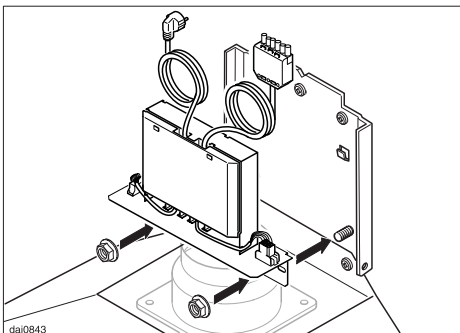
Control unit

(only when operating with an external fan)

Fit the exhaust socket supplied into the canopy. It has an integrated non-return flap.

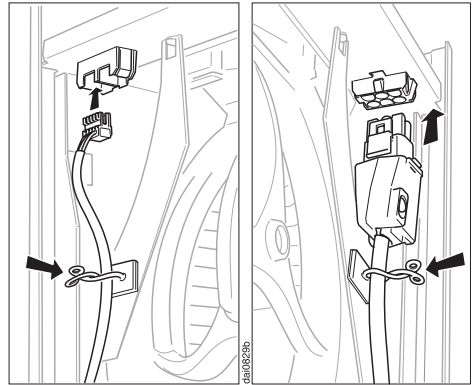


- If a 150 mm \varnothing exhaust ducting is being used, adapt the connection by cutting it off at the joint with a sharp knife (see illustration). The exhaust connection does not need adapting if 125 mm \varnothing ducting is being used.
- Secure the exhaust connection to the canopy with four 2 x 13 mm screws.



- On EXT model cooker hoods the control unit is fitted instead of the motor unit and then secured with self locking nuts.

Electrical connection

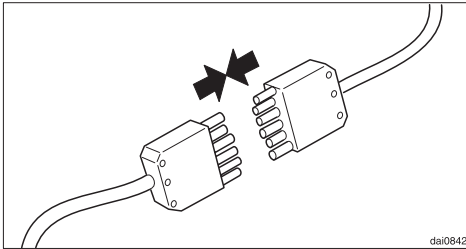


- Connect the canopy connection cable to the corresponding couplings on the left and right of the motor unit or control unit.

Do this by connecting the four pole plug into the rear connection of the coupling on the left of the motor unit or control unit.

Connect the six pole plug into the coupling on the right of the motor unit or control unit.

- Secure the cable with the cable holders as illustrated (this does not apply to EXT models).

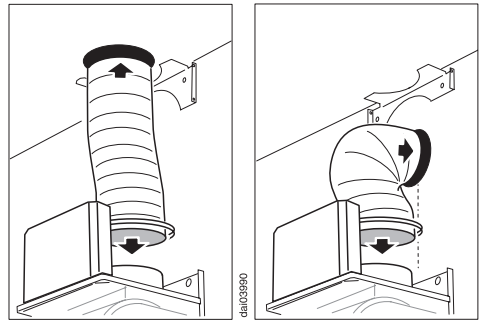


dai0842

- For appliances connected to an external fan, model designation...EXT: Connect the control unit and the external fan with the connection cable and the six pole plug.
- Connect the appliance to the mains via a fused spur or fused socket as appropriate.

Before connecting the appliance read the safety notes in "Warning and Safety Instructions" and in the "Electrical connection" section.

Air extraction

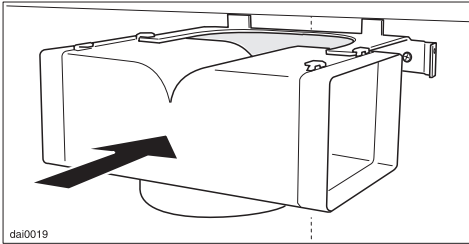


- For extraction connection secure a flexible hose or an extraction pipe to the exhaust connection on the motor unit using a hose clip.
- Lead the top end to the open air or to the external fan through the wall or ceiling cut-out.
- For further installation instructions, proceed to "Connection for air extraction".

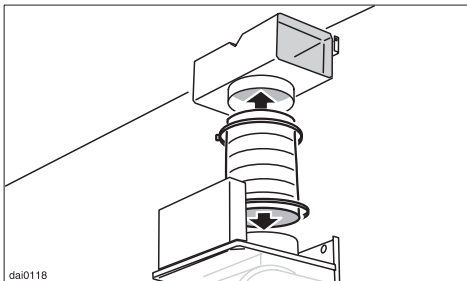
Installation

Recirculation

If site conditions are not suitable for the cooker hood to be used for air extraction the appliance must be connected for recirculation.



- Push the directional unit on to the top retaining plate.



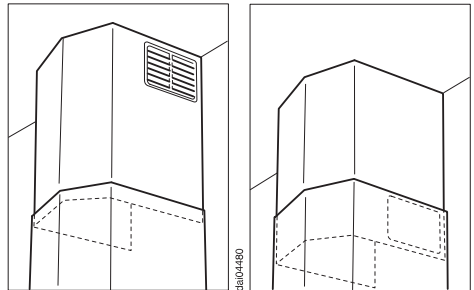
- Secure the flexible hose supplied to the directional unit and to the reducing collar on the motor unit using hose clips.
- Insert the recirculation active charcoal filters (see section "Cleaning and care").

The recirculation active charcoal filters necessary for recirculation are available from the Spare Parts Department or your dealer.

Extension piece

An extension piece allows the cooker hood to be fitted at varying distances from the ceiling (see section appliance dimensions).

The extension piece has openings at each side. These are needed for ventilation when the appliance is being used in recirculation mode.

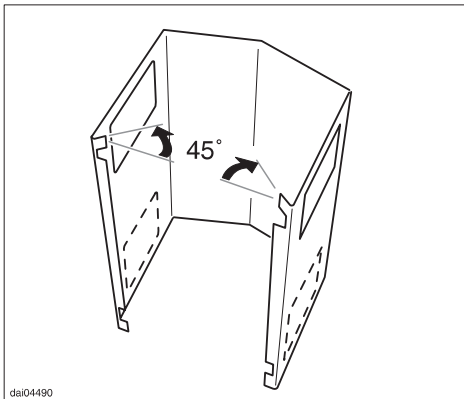


Recirculation

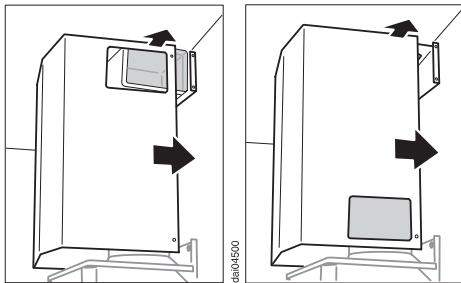
Extraction

For recirculation the extension piece is fitted with the openings at the top. For air extraction the openings are not required. In this case the extension piece is fitted with the openings at the bottom. They are then covered by the tower.

- Before fitting the extension piece remove the protective foil.



- Bend the top hanging retainers approx. 45° inwards. This makes fitting easier.

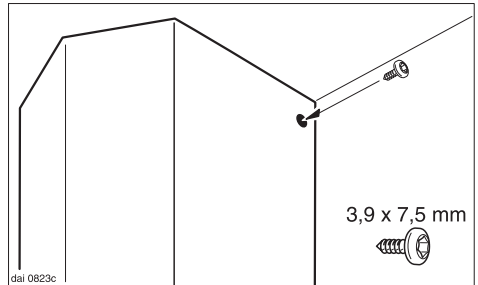


Recirculation

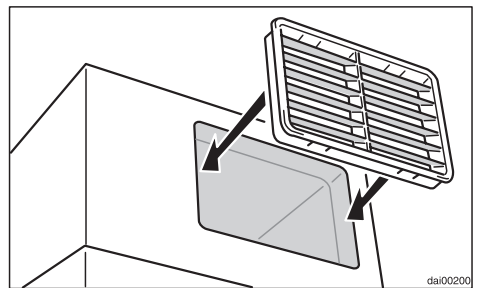
Extraction

- Pull the extension piece slightly outwards and push over the upper retaining plate.

For recirculation make sure that the openings in the extension piece are positioned at the same height as the air outlets in the directional unit of the fan motor.



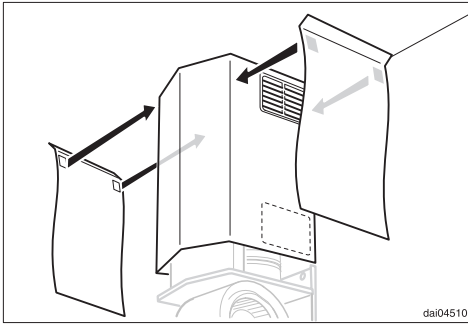
- Screw the extension piece firmly to the upper retaining plate at each side with two 3.9 x 7.5 mm screws.



- Only with recirculation mode: Fit the recirculation grilles into the extension piece and into the directional unit behind so that the slats point downwards.

Installation

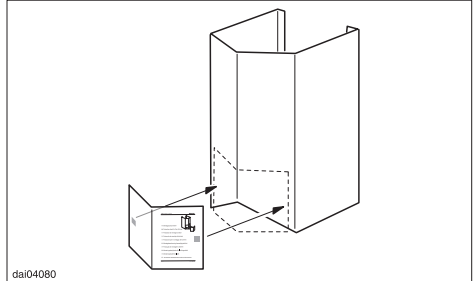
The paper protective sheet protects the extension piece from being scratched when the tower is being fitted. It is removed when fitting is complete.



- Fold the protective sheet at the top.
- Remove the protective foil from around the sticking points.
- Stick the protective sheet to the extension piece so that it is smooth at the sides and flush at the bottom.

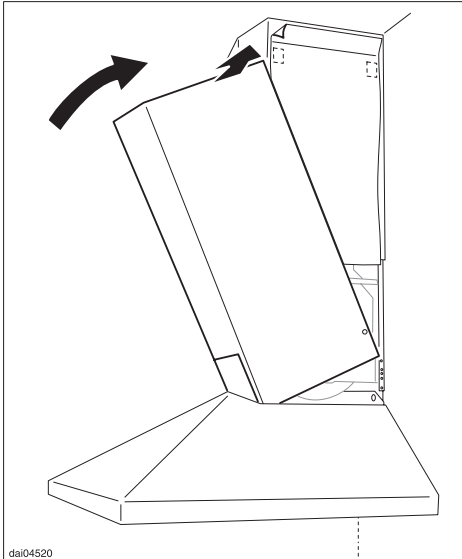
Fitting the tower

- Before fitting remove the protective foil.

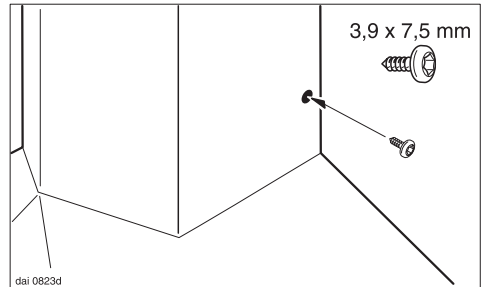


A protective cardboard sheet protects the tower from accidental scratching during fitting.

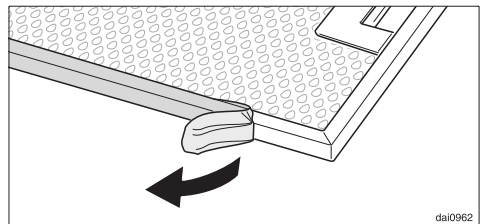
- Remove the protective foil from around the sticking points.
- Attach the protective sheet to the front of the tower so that it protrudes slightly below the bottom edge.



- Hold the main tower gently apart and fit it over the extension piece.
- Then slide the tower down approx. 2 cm into the canopy.
- Adjust the tower.
- Remove the protective sheets.



- Now secure the tower on both sides with two 3.9 x 7.5 mm screws.
- Remove the protective foil from the canopy.



- Before using the appliance for the first time take the grease filter out and remove the protective foil from the filter frame. Then replace the filter.

Connection for air extraction

Danger of toxic fumes.
Please heed the "Warning and Safety instructions" to avoid the danger of toxic fumes.

The cooker hood should be installed according to local building regulations. Seek approval from the building inspector where necessary.

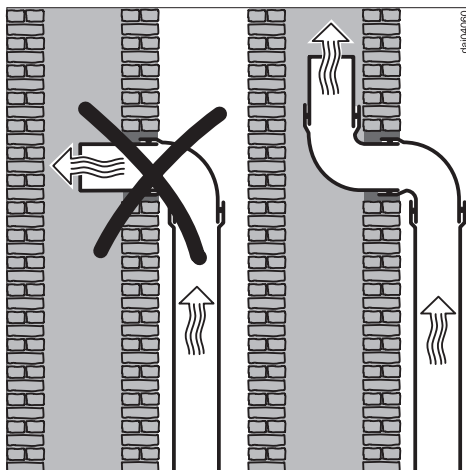
- All ducting, pipework and fittings must be of non-flammable material.
- The extraction ducting should be as short and straight as possible.
- To ensure efficient air extraction the diameter of the exhaust ducting should not be less than 150 mm.

If exhaust ducting with a diameter of less than 150 mm or flat ducting were to be used, the noise level of the cooker hood would increase and extraction would be less efficient.

Only reduce the diameter of the ducting if absolutely necessary, e.g. where narrower ducting has already been installed.

- Only use wide radius bends. Tight bends reduce the air throughput of the cooker hood.
- Only use smooth pipes or flexible hoses made from non-flammable materials for extraction connection.

- Where ducting is horizontal it must be laid to slope away at at least 1 cm per metre.
This is to ensure that condensate cannot drain back into the cooker hood.
- If the exhaust air is to be ducted into the open air, the installation of a telescopic wall vent is recommended.



- If the exhaust air is to be ducted into a vent flue, the ducting must be directed in the flow direction of the flue.

Important:

If the exhaust ducting is to run through rooms, ceiling space etc. where there may be great variations in temperature between the different areas, the problem of sweating or condensation will need to be addressed. The exhaust ducting will need to be suitably insulated.

Condensate trap

In addition to insulating the exhaust ducting, we recommend that a suitable condensate trap is also installed to collect and evaporate any condensate which may occur.

When installing a condensate trap ensure that it is positioned vertically and if possible directly above the exhaust connection.

Electrical connection

All electrical work should be undertaken by a suitably qualified and competent person in strict accordance with national and local safety regulations.

Installation, repairs and other work by unqualified persons could be dangerous. The manufacturer can not be held responsible for unauthorised work.

Ensure power is not supplied to the appliance while installation or repair work is being carried out.

U.K., IRL, NZ, ZA: The cooker hood is supplied for connection to an a.c. 230 V single phase 50 Hz supply.

AUS: The cooker hood is supplied for connection to an a.c. single phase 240 V, 50 Hz supply.

The voltage, rated load and fusing are given on the data plate. This is visible when the grease filters have been removed. Ensure that these match the household mains supply.

For U.K.: Connection should be made either by a double pole fused spur connection unit, or a fused plug and a suitable switched socket. The On-Off switch should be easily accessible after the appliance has been built in. When switched off there must be an all-pole contact gap of 3 mm in the switch (including switch, fuses and relays according to EN 60 335).

If the socket is not accessible after installation (depending on country) an additional means of disconnection must be provided for all poles.

For extra safety it is advisable to install a residual current device (RCD) with a trip current of 30 mA (in accordance with DIN VDE 0664, VDE 0100 Section 739).

Do not connect via an extension lead.

Important UK

If the appliance is fitted with a non-rewireable plug (BS 1363 UK) and the socket outlets are not suitable for the plug supplied, or if the existing plug needs to be replaced by a new one, the old plug will need to be cut off and an appropriate plug fitted. The fuse carrier and the fuse should be removed from the old plug and disposed of. The plug cut from the cable should then be disposed of, and on no account be inserted into any socket elsewhere in the house (electric shock hazard).

The fuse cover must be re-fitted when changing the fuse and if the fuse cover is lost the plug must not be used until a suitable replacement is obtained.

The colour of the correct replacement cover is that of the coloured insert in the base of the plug or the colour that is embossed in words in the base of the plug (as applicable to the design of plug fitted).

The correct fuse rating of the replacement fuses that are ASTA approved to BS 1362 should be fitted. Replacement fuse covers may be purchased from your local electrical suppliers or Service agent.

Important

The wires in the mains lead are coloured in accordance with the following code:

Green/yellow = earth
Blue = neutral
Brown = live

If the appliance is to be connected via a plug and socket, please note the following:

As the colours of the wires in the mains lead of this appliance may not correspond with the coloured markings identifying the terminals in your plug, proceed as follows:

- The wire which is coloured green and yellow must be connected to the terminal in the plug which is marked with the letter E or by the earth symbol \perp or coloured green or green and yellow.
- The wire which is coloured blue must be connected to the terminal which is marked with the letter N or coloured black.
- For U.K., IRL, ZA: The wire which is coloured brown must be connected to the terminal which is marked with the letter L or coloured red.
- For Australia / New Zealand: The wire which is coloured brown must be connected to the terminal which is marked with the letter A or coloured red.

WARNING:
THIS APPLIANCE MUST BE
EARTHED

After Sales Service

In the event of a fault which you cannot correct yourself please contact:

– Your Miele Dealer

or

– The Miele Service Department
(see back cover for address).

When contacting the Service Department, please quote the model and serial number of your appliance. These are shown on the data plate which is visible when the grease filters are removed.

Please note that telephone calls may be monitored and recorded to improve our service.

Rated load	
DA 216-2, 217-2, 219-2	222 W
Lighting	2 x 11 W
Voltage	
UK, IRL, NZ	230 V
AUS	240 V
Frequency	~ 50 Hz
Fuse rating (UK)	13 A
Fuse rating (IRL)	10 A

AUS, NZ:
Plug rating 10 A

Test marks Electrical safety
. C-Tick Mark

Electrically suppressed
according to AS/NZS 1044

Fan performance

Extraction power according to
EN 61591

Extraction system \varnothing 150 mm:

Level I	220 m ³ /h
Level II	335 m ³ /h
Level III	440 m ³ /h
Intensive level	640 m ³ /h

Extraction system \varnothing 125 mm:

Level I	210 m ³ /h
Level II	305 m ³ /h
Level III	405 m ³ /h
Intensive level	590 m ³ /h

unrestricted 690 m³/h

Recirculation with charcoal filter:

Level I	180 m ³ /h
Level II	290 m ³ /h
Level III	390 m ³ /h
Intensive level	485 m ³ /h

Active charcoal filter:

Miele active charcoal filter DKF 6

For EXT models the rated load and extraction power will depend on the type of external fan fitted.



Australia:

Miele Australia Pty. Ltd., A.C.N. 005635398

1 Gilbert Park Drive, Knoxfield, VIC 3180

Telephone: (03) 9764 7100, Fax: (03) 9764 7129

Miele Australia Pty. Ltd., 3 Skyline Place, Frenchs Forest, NSW 2086

Telephone: (02) 8977 4200, Fax: (02) 8977 4219

Miele Australia Pty. Ltd., 25 Lavarack Avenue, Eagle Farm, QLD 4009

Telephone: (07) 3632 2400, Fax: (07) 3632 2449

Miele Australia Pty. Ltd., 209 Richmond Road, Richmond, SA 5033

Telephone: (08) 8351 8500, Fax: (08) 8354 1717

Distributor Western Australia:

G.B.I. Sales Pty. Ltd., 27-33 Cleaver Terrace, Belmont, WA 6104

Telephone: (08) 9478 0466, Fax: (08) 9478 0470

Distributor New Zealand:

Steelfort Engineering Company. Ltd.

500 Rangitikei Street, Palmerston North, Priv. Bag 11045, NZ

Telephone: (06) 357 1099, Fax: (06) 356 1507

Steelfort Engineering Company Ltd., Unit L, 10-20 Sylvia Park Road,

Mt. Wellington, Auckland, NZ

Telephone: (09) 573 1269, Fax: (09) 573 1268

United Kingdom:

Miele Co. Ltd.

Fairacres, Marcham Road, Abingdon, Oxon, OX14 1TW

tel. Abingdon (01235) 554455 - fax (01235) 554477

Service Office, tel. Abingdon (01235) 554466

Internet: www.miele.co.uk

Ireland:

Miele Ireland Limited

Broomhill Business Complex, Broomhill Road, Dublin 24

Tel. (01) 46 10 710, Fax (01) 46 10 797

South Africa:

Miele (Pty.) Ltd.

304 Tungsten Road, Strydom Park 2194

P.O.Box 1654, Randburg 2125

Tel. (011) 793-7452, Telefax (011) 793-7447

E-mail: mieleza@iafrica.com

Free Manuals Download Website

<http://myh66.com>

<http://usermanuals.us>

<http://www.somanuals.com>

<http://www.4manuals.cc>

<http://www.manual-lib.com>

<http://www.404manual.com>

<http://www.luxmanual.com>

<http://aubethermostatmanual.com>

Golf course search by state

<http://golfingnear.com>

Email search by domain

<http://emailbydomain.com>

Auto manuals search

<http://auto.somanuals.com>

TV manuals search

<http://tv.somanuals.com>