

Miele

Operating and installation instructions



Cooker hood

DA 2250, DA 2250 EXT

DA 2270, DA 2270 EXT

DA 2210

To avoid the risk of accidents or damage to this appliance, it is **essential** to read these instructions before it is installed and used for the first time.

en - GB

M.-Nr. 09 202 380

Contents

Caring for the environment	3
Warning and Safety instructions	4
Guide to the appliance	10
Modes of operation	12
Operation	13
Joystick	13
To switch the fan on	13
To select a power level	13
To switch the fan off	13
Automatic switch-off of the Intensive setting	14
Run-on option	14
To switch the hob lighting on	15
To dim the hob lighting	15
To switch the hob lighting off	15
Filter operating hours counter	16
Cleaning and care	20
Housing	20
Grease filters	20
Fitting and replacing the charcoal filters	22
Changing a halogen lamp	24
After Sales Service	25
Appliance dimensions	26
Safety distance between hob and cooker hood	27
Installation	28
Connection for air extraction	33
Condensate trap	34
Silencer	35
Electrical connection	36
Operation with Control module DSM 400	37
Potential free connection	37
Connection to a light switch	37
Technical data	38

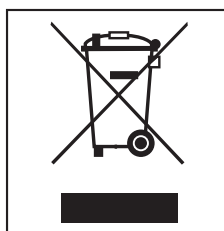
Disposal of the packing material

The transport and protective packing has been selected from materials which are environmentally friendly for disposal, and should be recycled.

Packaging e.g. cling film, polystyrene and plastic wrappings must be kept out of the reach of babies and young children. Danger of suffocation!

Disposal of your old appliance

Electrical and electronic appliances often contain materials which, if handled or disposed of incorrectly, could be potentially hazardous to human health and to the environment. They are, however, essential for the correct functioning of your appliance. Please do not therefore dispose of it with your household waste.



Please dispose of it at your local community waste collection / recycling centre or contact your dealer for advice. Ensure that it presents no danger to children while being stored for disposal.

Warning and Safety instructions

This appliance complies with all relevant local and national safety requirements. Inappropriate use can, however, lead to personal injury and damage to property.

To avoid the risk of accidents and damage to the appliance, please read these instructions carefully before using it for the first time. They contain important information on safety, installation, use and maintenance.

Keep these instructions in a safe place and ensure that all users are familiar with the contents. Pass them on to any future owner of the appliance.

Correct application

▶ This appliance is intended for use in domestic households and in similar working and residential environments such as:

- Shops
- Offices and showrooms

and by residents in establishments such as:

- Hostels and guest houses.

▶ It must only be used as a domestic appliance to extract vapours and remove odours from cooking.

▶ The cooker hood is not intended for outdoor use.

Any other usage is not supported by the manufacturer and could be dangerous. Miele cannot be held liable for damage resulting from incorrect or improper use or operation.

▶ This appliance is not intended for use by people with reduced physical, sensory or mental capabilities, or lack of experience or knowledge, unless they are supervised whilst using it or have been shown how to use it correctly by a person responsible for their safety.

Safety with children

▶ This appliance is only intended for use by adults who have read these instructions.

▶ This appliance is not a toy! To prevent the risk of injury do not let children play with the appliance or its controls.

▶ Children under 8 years of age must be kept away from the cooker hood unless they are constantly supervised.

▶ Children 8 years and older may use the cooker hood only if they have been shown how to use it in a safe way and understand the hazards involved.

▶ Please be aware that on cooker hoods with halogen lighting, the lamps will get very hot during use and remain hot for some time after switching off. To safeguard against burning, keep children well away from the lamps at all times.

Technical safety

► Before installation, check the cooker hood for visible signs of damage. Do not install and use a damaged appliance. It could be dangerous.

► Before connecting the appliance to the mains supply, make sure that the voltage and frequency details given on the data plate correspond with the household electricity supply, otherwise the appliance could be damaged. Consult a qualified electrician if in any doubt.

► The electrical safety of this appliance can only be guaranteed if it is correctly earthed. It is most important that this basic safety requirement is observed and regularly tested and where there is any doubt, the household wiring system should be inspected by a qualified electrician. The manufacturer cannot be held liable for the consequences of an inadequate earthing system (e.g. electric shock).

► For safety reasons, this appliance may only be used when it has been fully installed.

► Only open the housing as described in the instructions given in the installation sheet and in the Cleaning and care section of this booklet. Under no circumstances should any other parts of the housing be opened. Tampering with electrical connections or components and mechanical parts is highly dangerous to the user, and can cause operational faults.

► Installation, maintenance and repairs may only be carried out by a service technician authorised by the manufacturer in strict accordance with current national and local safety regulations.

Repairs and other work by unqualified persons could be dangerous. The manufacturer cannot be held liable for unauthorised work.

► Faulty components must only be replaced by genuine Miele original parts. The manufacturer can only guarantee the safety of the appliance when Miele replacement parts are used.

► During installation, maintenance and repair work, the appliance must be disconnected from the mains electricity supply.

Warning and Safety instructions

▶ Do not connect the appliance to the mains electricity supply by a multi-socket adapter or an extension lead. These do not guarantee the required safety of the appliance (e.g. danger of overheating).

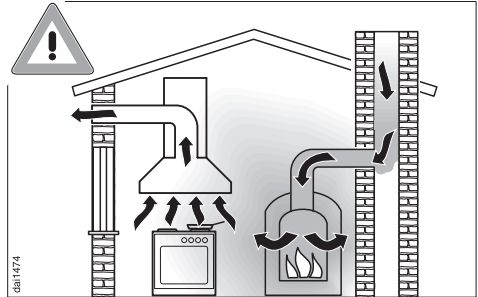
▶ For appliances with an external fan motor (...EXT models) the connection of the two units must be made using the connection cable and the plug connectors.
These models may only be combined with a Miele external motor.

▶ This appliance must not be used in a non-stationary location (e.g. on a ship).

▶ In areas which may be subject to infestation by cockroaches or other vermin, pay particular attention to keeping the appliance and its surroundings in a clean condition at all times. Any damage which may be caused by cockroaches or other vermin will not be covered by the guarantee.

Using at the same time as other heating appliances that depend on the air from the room

Warning - danger of toxic fumes



▶ Great care should be taken when using the cooker hood at the same time and in the same room or area of the house as another heating appliance which depends on the air in the room. Such appliances include gas, oil, wood or coal-fired boilers and heaters, continuous flow or other water heaters, gas hobs, cookers or ovens which draw air in from the room and duct exhaust gases out through a chimney or extraction ducting.

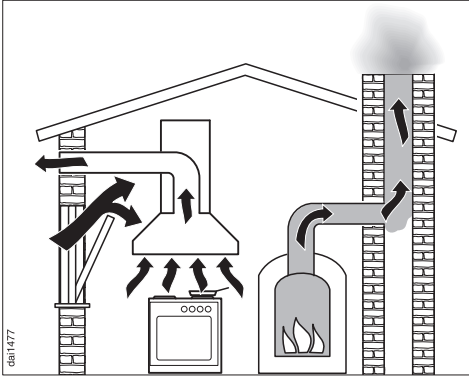
When used in extraction mode, with or without an external motor fitted, the appliance draws air in from the room in which it is installed **and** from neighbouring rooms.

If there is insufficient air, an underpressure will occur. The heating appliance may be starved of oxygen, impairing combustion.


Harmful gases could be drawn out of the chimney or extraction ducting back into the room, with potentially fatal consequences.

Warning and Safety instructions

In order to ensure safe operation, and to prevent gases given off by the heating appliances from being drawn back into the room when the cooker hood and the heating appliance are in operation simultaneously, an underpressure in the room of 0.04 mbar (4 pa) is the maximum permissible.



Ventilation can be maintained by air inlets which cannot be blocked, in windows, doors and outside wall vents, or by other technical measures, such as ensuring that the cooker hood can only be switched on when the heating appliance is switched off or vice versa. A ventilation brick alone is not generally sufficient to ensure safe ventilation.

 The overall ventilation condition of the dwelling must be taken into account. If in any doubt, the advice of a competent builder or, for gas, a qualified gas fitter (GasSafe registered in the UK) or electrician must be sought.

If the hood is being operated in recirculation mode, the above restrictions do not apply.

Warning and Safety instructions

Correct use

▶ Never use an open flame beneath the cooker hood. To avoid the danger of fire, do not flambé or grill over an open flame.

When switched on, the cooker hood could draw flames into the filter. Fat particles drawn into the cooker hood present a fire hazard.

▶ When using the cooker hood over a gas hob, ensure that any burners in use are always covered by a pan. Switch the cooking zone off when a pan is removed, even for a short time. Regulate the flame so that it does not burn up the sides of the pan. Do not allow the pans to overheat excessively (e.g. when using a wok). The cooker hood can become damaged when exposed to excessive heat.

▶ Always switch the cooker hood on when using the hob, otherwise condensation may collect in the hood, which could cause corrosion.

▶ When cooking with oil or fat, chip pans and deep fat fryers etc, do not leave the pans unattended. Never leave an open grill unattended when grilling. Overheated oil and fat can ignite and could set the cooker hood on fire.

▶ Do not use the cooker hood without the filters in place. This way you will avoid the risk of grease and dirt getting into the appliance and hindering its smooth operation.

▶ The filters should be regularly cleaned or changed as appropriate. Saturated filters are a fire hazard. See "Cleaning and care".

▶ The cooker hood can get very hot during cooking due to heat rising from the hob. Do not touch the housing or the grease filters until the cooker hood has cooled down.

▶ Do not use a steam-cleaner to clean this appliance. Steam could reach the electrical components and cause a short circuit.

Correct installation

- ▶ Refer to the cooker or hob manufacturer's instructions as to whether a cooker hood may be operated above the cooker/hob.
- ▶ The minimum safety distances between the top of the cooker or hob and the bottom of the cooker hood given in the "Appliance dimensions" section of this booklet must be maintained, unless the hob manufacturer states that a greater safety distance is required.

If more than one cooking appliance is fitted beneath the cooker hood, and they have different minimum safety distances to the cooker hood, select the greater distance.

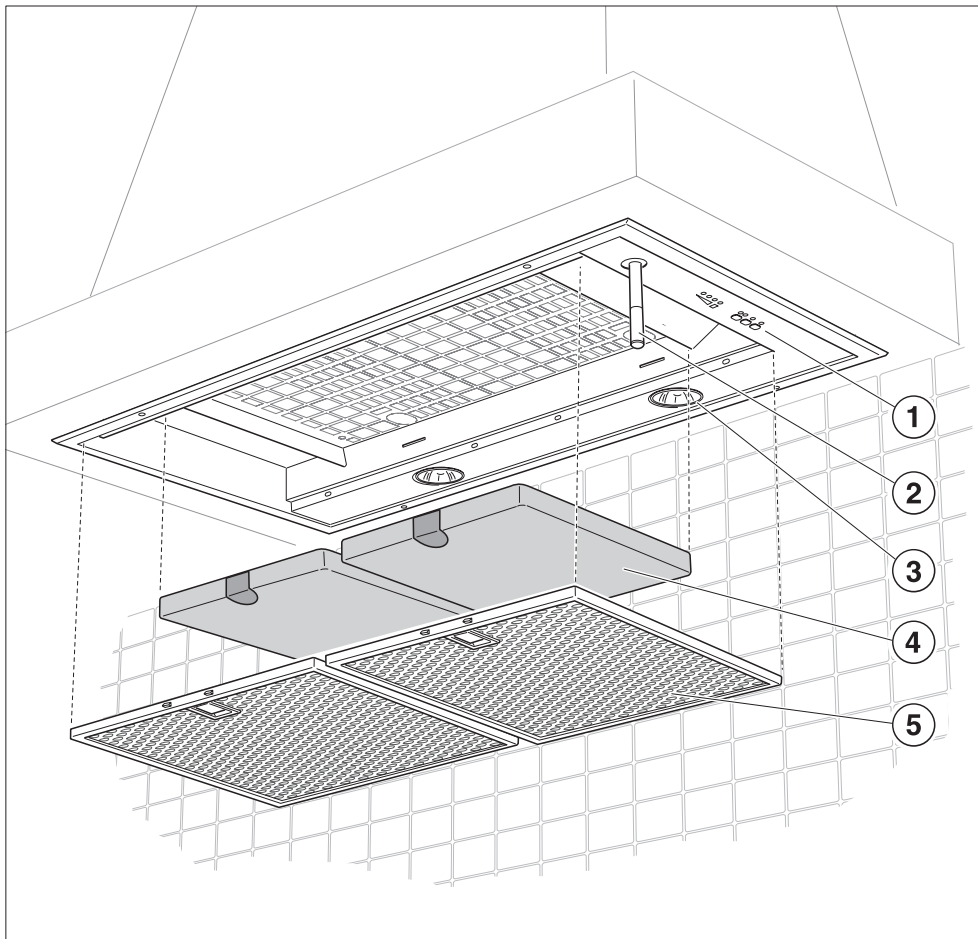
- ▶ Safety regulations prohibit the fitting of a cooker hood over solid fuel stoves.
- ▶ All ducting, pipework and fittings must be of non-flammable material. These can be obtained from the Miele Spare Parts department or from builders' merchants.
- ▶ The appliance must not be connected to a chimney or vent flue which is in use. Neither should it be connected to ducting which ventilates rooms with fireplaces.
- ▶ If exhaust air is to be extracted into a chimney or ventilation duct no longer used for other purposes, seek professional advice.

Accessories

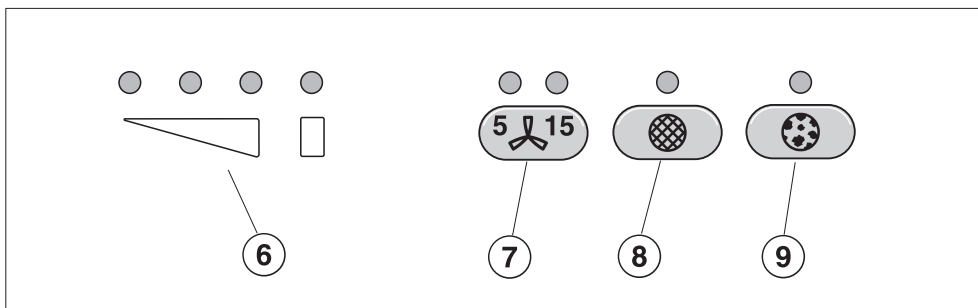
- ▶ Only use genuine Miele original spare parts and accessories with this appliance. Using spare parts or accessories from other manufacturers will invalidate the guarantee, and Miele cannot accept liability.

The manufacturer cannot be held liable for damage caused by non-compliance with these Warning and Safety instructions.

Guide to the appliance



ca32140



① Control panel

② Joystick

This is used to operate the fan settings and the lighting.

③ Hob lighting

④ Charcoal filters

Special accessory for recirculation mode

DA 2250, DA 2270: 2 filters

DA 2210: 4 filters

⑤ Grease filters

⑥ Fan setting indicator lamps

⑦ Touch control for the run-on option

To activate the run-on option. The fan can be set to continue running, and to switch off automatically after either 5 or 15 minutes.

⑧ Touch control for the grease filter

The indicator lamp for the grease filters lights up when the grease filters need to be cleaned.

The touch control is used to reset the operating hours counter every time the grease filters are cleaned (see "Cleaning and care").

It can also be used to check and alter the operating hours counter.

⑨ Touch control for the charcoal filter

The indicator lamp for the charcoal filter lights up when the charcoal filters used in recirculation mode needs to be replaced. For this to happen, the operating hours counter needs to be activated before the appliance is used for the first time.

The touch control is used to reset the operating hours counter every time the charcoal filters are replaced (see "Cleaning and care").

It can also be used to check and alter the operating hours counter.

For information about using the appliance, see "Operation".

Modes of operation

The cooker hood works with

. . . air extraction:

The air is drawn in and cleaned by the grease filters and directed outside.

If the on-site ventilation system does not have a **non-return flap**, then the non-return flap supplied with the appliance must be fitted in the exhaust socket in the motor unit.

The DA 2210 has two motors and requires two non-return flaps to be fitted.

Having a non-return flap fitted in the ducting ensures that air, once ducted to the outside, cannot get back into the room again.

The flap is closed when the cooker hood is switched off.

When the cooker hood is switched on, the non-return flap opens for the cooking vapours to be blown directly outside.

. . . air recirculation:

(requires a conversion kit and charcoal filters: see "Technical Data")

The air is drawn in and cleaned first by the grease filters and then by the **charcoal filters** (2 on the DA 2250, DA 2270 and 4 on the DA 2210). The cleaned air is then recirculated back into the kitchen.

Before using the cooker hood in recirculation mode, ensure that the charcoal filters are in place. See "Cleaning and care".

. . . an external motor:

(EXT models only)

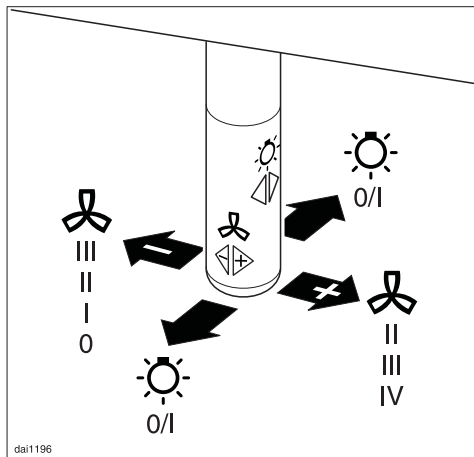
EXT models are designed to be connected to an external motor located outside the room.

The external motor is connected to the cooker hood by means of a control cable, and is operated by the controls on the cooker hood.

Joystick

This is used to operate the fan settings and the lighting.

To switch the fan on



- Press the joystick once to the right.



The fan will come on at power level II. The second fan power level indicator lamp will light up.

To select a power level

- Press the joystick repeatedly to the right to select a higher power level, and to the left to select a lower power level.

The relevant power level indicator lamp will light up.

Depending on the intensity of the cooking vapours, levels "I" to "III" are usually sufficient for normal cooking.

Intensive setting



For short periods of cooking food with intensive vapours and a strong aroma, e.g. when searing meat, you may wish to select the Intensive Setting "IV".

To switch the fan off

- Press the joystick repeatedly to the left until the fan switches off and the power level indicator lamps have all gone out.

or

- Press and hold the joystick to the left. The power level indicator lamps will go out.

Operation

Automatic switch-off of the Intensive setting

You can set the Intensive setting so that it only runs for 10 minutes before reverting automatically to level III.

- To set this option, both the fan and the hob lighting must be switched off.
- Press the **run-on option control for approximately 10 seconds**. The first power level indicator lamp will light up.
- Press the **joystick**
 - **once to the rear** or to the front. The second indicator lamp will light up,
 - then press the joystick **once to left**. The third indicator lamp will light up,
 - then press the joystick **once to the left** or to the front.

The indicator lamps for fan power levels I and IV will flash if the automatic switch-off for the Intensive setting is not activated.

- **To activate** automatic switch-off, press the joystick **once to the right**. The indicator lamps for power levels "I" and "IV" will light up constantly.
- **To deactivate** automatic switch-off, press the joystick **once to the left**.
- Press the **control for the run-on option to confirm** the selection and to come out of programming mode.

Run-on option

It is advisable to run the fan for a few minutes after cooking has finished to neutralise any lingering odours in the air, whether you are using air extraction or recirculation mode.

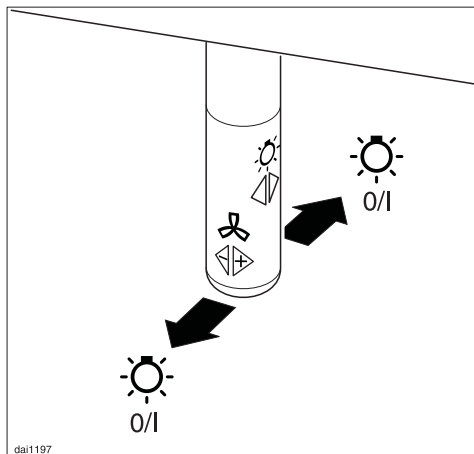
The fan can be set to switch off automatically after either 5 or 15 minutes.



- After cooking has finished, press the run-on option control whilst the fan is still running.
 - Press once = The fan will switch off after 5 minutes (left-hand indicator lamp).
 - Press twice = The fan will switch off after 15 minutes (right-hand indicator lamp).
- To switch off the run-on option, press the run-on option control again. The appliance will then not switch off automatically.

To switch the hob lighting on

The hob lighting can be switched on and off independently of the fan.



- Press the joystick once to the rear or to the front to switch it on.

To dim the hob lighting

The brightness of the lighting can be adjusted.

- With the lighting switched on, press and hold the joystick to the rear or the front. The brightness will gradually dim until you release the joystick.
- Pressing and holding it again will gradually increase the brightness until you release it.
- If you keep the joystick pressed in, the light will continually change between bright and dim.

To switch the hob lighting off

- Press the joystick again once to the rear or to the front to switch it off.

Safety cut-out

Should the cooker hood be left on, the fan will switch off automatically after 10 hours. The lighting will remain on.

- Pressing the joystick once to the right will switch the fan back on again.

Operation

Filter operating hours counter

The number of hours the appliance has been in operation is stored in memory.

The operating hours counter tells you when the grease filters or charcoal filters need to be cleaned or replaced.

Resetting the grease filter operating hours counter



After 30 hours of operation (or another time if the operating hours counter has been altered), the grease filter indicator lamp will light up. The grease filters must then be cleaned.

Afterwards, the grease filter operating hours counter must be reset.

- To do this, press and hold the grease filter control for approximately 3 seconds while the fan is switched on.

The indicator lamp for the grease filter control will go out.

Reading the grease filter operating hours counter

To check the percentage of time set already used:

- Switch the fan on with the joystick.



- Press and hold the grease filter control.

One or several of the power level indicator lamps will flash.

The number of flashing lamps shows the percentage of the operating time which has already been used up.

1 lamp	=	25 %
2 lamps	=	50 %
3 lamps	=	75 %
4 lamps	=	100 %

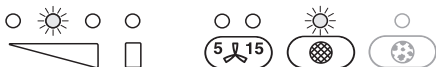
The number of operating hours used remains in the memory, even when the appliance is switched off or there is a power cut.

Altering the grease filter operating hours counter

The operating hours counter for the grease filter is set at the factory for 30 hours. This can be lengthened or shortened to suit the type of cooking you do. You can choose 20, 30, 40 or 50 hours.

- Select a short time if you roast or fry a lot.
- If you use very little fat for cooking, select a longer time.
- If you only cook occasionally we recommend that you still select a short time because grease which has built up gradually over a long period of time will harden on the filter and make cleaning more difficult.

- Switch the fan off with the joystick.

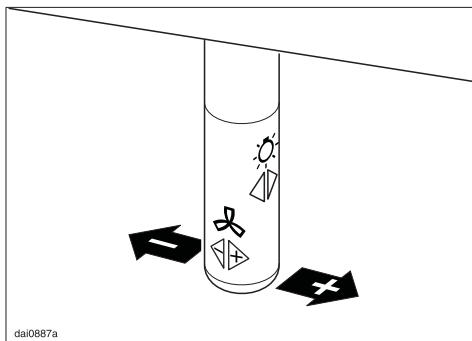


- Press the run-on option control and the grease filter control at the same time.

The indicator lamp for the grease filter touch control and one of the power level indicator lamps will flash.

The power level indicator lamps show the time which has been set:

- 1st lamp from the left = 20 hours
- 2nd lamp from the left = 30 hours
- 3rd lamp from the left = 40 hours
- 4th lamp from the left = 50 hours



- Use the joystick to select the time required.

Press to the left for a shorter operating time, or to the right for a longer time.



- Confirm the selection by pressing the grease filter control.

All the indicator lamps will go out.

If you do not confirm your selection within 4 minutes, the cooker hood will automatically revert to the "old" data.

Operation

Activating and altering the charcoal filter operating hours counter

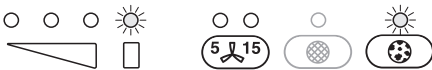
(in recirculation mode)

The charcoal filters must be fitted for the cooker hood to be used in recirculation mode.

On delivery, the operating hours counter for the charcoal filter is **deactivated**.

For recirculation mode, the operating hours counter needs to be set to suit the type of cooking you do:

- Switch the fan off with the joystick.

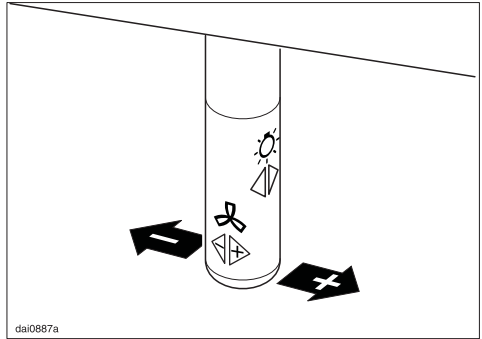


- Press the run-on option control and the charcoal filter control at the same time.

The indicator lamp for the charcoal filter control and one of the power level indicator lamps will flash.

The power level indicator lamps show the time which has been set:

- 1st lamp from the left = 120 hours
- 2nd lamp from the left = 180 hours
- 3rd lamp from the left = 240 hours
- 4th lamp from the left = unlimited



- Use the joystick to select the time required.
Press to the left for a shorter operating time, or to the right for a longer time.



- Confirm the selection by pressing the charcoal filter control.

All the indicator lamps will go out.

If you do not confirm your selection within 4 minutes, the cooker hood will automatically revert to the "old" data.

Resetting the charcoal filter operating hours counter



The indicator lamp for the charcoal filter control will light up after the cooker hood has operated for the number of hours set. The charcoal filters must be replaced with new ones.

Afterwards, the charcoal filter operating hours counter must be reset.

- Press and hold the charcoal filter control for about 3 seconds while the fan is switched on.

The indicator lamp for the charcoal filter control will go out.

Reading the charcoal filter operating hours counter

To check the percentage of time set already used:

- Switch the fan on with the joystick.



- Press and hold the charcoal filter control.

One or several of the power level indicator lamps will flash.


The number of flashing lamps shows the percentage of the operating time which has already been used up.


1 lamp	=	25 %
2 lamps	=	50 %
3 lamps	=	75 %
4 lamps	=	100 %

The number of operating hours used remains in the memory, even when the appliance is switched off or there is a power cut.

Cleaning and care

A range of Miele branded cleaning and conditioning agents are available to order through your Miele Dealer / Chartered Agent, the Miele Spare Parts Department, or via the internet on www.miele-shop.com.

 Before any cleaning or maintenance work is carried out, disconnect the cooker hood from the mains supply.

 Halogen lamps get very hot during use and remain hot for some time after being switched off. The hot lamps are also susceptible to damage from damp cleaning. Wait a few minutes after switching off before commencing cleaning.

Housing

The surfaces and controls are susceptible to scratches and abrasions. Please observe the following cleaning instructions.

- All external surfaces and controls can be cleaned using a Miele E-Cloth, or with warm water and a small amount of washing-up liquid applied with a well wrung-out soft sponge or cloth.
- Wipe the surfaces dry using a soft cloth.

Do not use:


- cleaning agents containing soda, acids, chlorides or solvents,
- abrasive cleaning agents, e.g. powder cleaners or cream cleaners and abrasive sponges, as well as pot scourers or sponges which have been used previously with abrasive cleaning agents. These will damage the surface material.

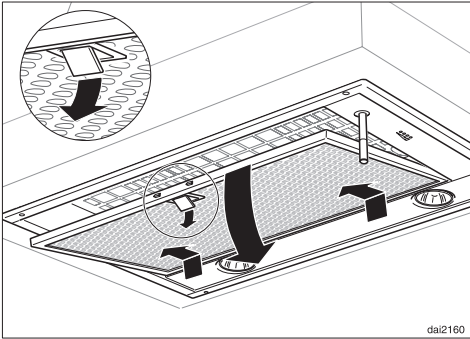
Grease filters

The re-usable metal grease filters in the appliance remove solid particles (grease, dust, etc.) from the kitchen vapours, preventing soiling of the cooker hood.



To avoid a build-up of grease, the grease filters should be cleaned regularly (at least every 3-4 weeks), but always clean immediately the grease filter indicator lamp comes on.

 An oversaturated filter is a fire hazard.



Cleaning the grease filters in the dishwasher

- Place the filters as upright as possible in the lower basket, with the short sides upright. Make sure that the spray arm can move freely.
- Do not wash at more than 65° C. If a Miele dishwasher is being used, select the Sensor wash programme.
- Use a mild dishwasher detergent.

- To take out the grease filters, release the locking clip on the filter, lower the filter 45°, unhook it at the back and remove it.

To avoid damaging the filters or the hob below, make sure you hold the filters securely at all times when handling them.

Depending on the cleaning agent used, cleaning the filters in a dishwasher can cause permanent discolouration to the surface. However, this will not affect the functioning of the filters in any way.

- After cleaning, leave the filters to dry on an absorbent surface before replacing them.

Cleaning the grease filters by hand

- Clean the filters with a soft nylon brush in a mild solution of hot water and a small amount of washing-up liquid.
Do not use "neat" washing up liquid.

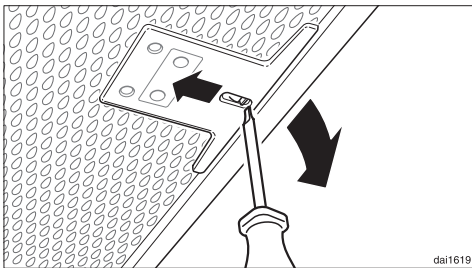
Do not use:

- cleaning agents containing descaling agents,
- powder cleaners, cream cleaners or abrasive all-purpose cleaning agents,
- oven sprays.

Cleaning and care

- When removing the filters for cleaning, also clean off any residues of oil or fat from the now accessible housing to prevent the risk of these catching fire.

When putting the grease filters back in position, ensure that the locking clips are facing down towards the hob.



- If a grease filter is inadvertently replaced upside down, insert a small screwdriver blade into the slit to disengage the clip.
- After replacing the grease filters, press the grease filter control for approximately 3 seconds to reset the operating hours counter. The indicator lamp will go out.
- If the grease filters are cleaned **before** the operating hours counter has reached its maximum, the grease filter control should be pressed for approximately 6 seconds to reset the counter.

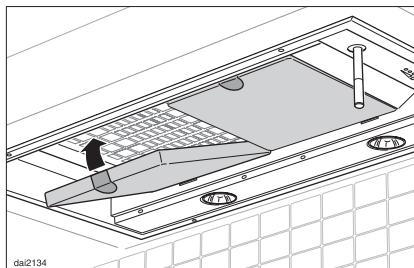
Fitting and replacing the charcoal filters

If the cooker hood is connected for recirculation, charcoal filters must be inserted in addition to the grease filters. They are designed to absorb cooking odours and are fitted in the canopy above the grease filters.

DA 2250, DA 2270: 2 charcoal filters
DA 2210: 4 charcoal filters

New filters can be purchased from your Miele dealer or from the Miele Spare Parts Department. See back cover for contact details, and "Technical data" for the model number of the filter.

- Before fitting or replacing the charcoal filters, the grease filters must first be taken out (see previous section for instructions on how to do this).
- Unwrap the charcoal filters.



- Insert the charcoal filters into the canopy.
- When fitting for the first time: Activate the charcoal filter operating hours counter to suit your requirements (see "Operation").
- Replace the grease filters.

Always replace the charcoal filters immediately if



– the indicator lamp for the charcoal filter control lights up,

or

– they are no longer effective in absorbing kitchen odours.

They should, however, be replaced at least every 6 months.

Used charcoal filters can be disposed of with the normal household waste.

■ After fitting the new charcoal filters, press the charcoal filter touch control for approximately 3 seconds to reset the operating hours counter. The charcoal filter indicator lamp will go out.


■ If the charcoal filters are replaced **before** the operating hours counter has reached its maximum, the charcoal filter control should be pressed for approximately 6 seconds to reset the counter.

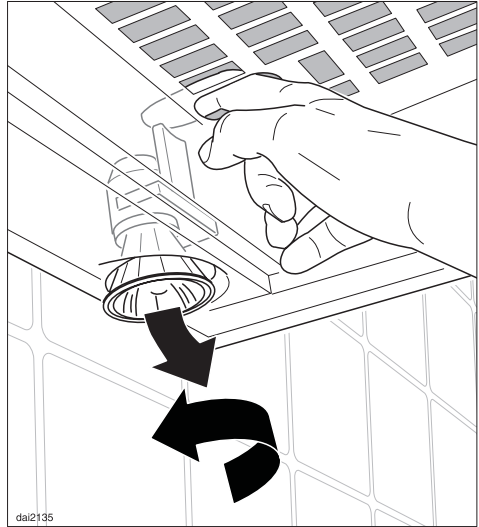
Cleaning and care

Changing a halogen lamp

Before any cleaning or maintenance work is carried out, disconnect the cooker hood from the mains supply.

- Remove the grease filter.
- Remove the charcoal filters if the cooker hood is being used in recirculation mode.

 Exercise caution when changing halogen lamps. They get very hot during use, and remain hot for some time after being switched off. Do not touch the surface directly when changing a lamp, as grease particles from your fingers will adhere to the surface and damage it. Please follow the manufacturer's instructions.



- Push down the lighting unit slightly via the opening in the safety panel.
- The halogen lamp is now accessible and should be unscrewed anti-clockwise.
- Replace it with a new halogen lamp (specification: GU/GZ 10, 230 V, 50 W). Screw the lamp into the socket and push it upwards. Please follow the manufacturer's instructions.

We recommend only using lamps of the same specification and also made by the same manufacturer as the ones being replaced.

- Replace the grease filter and, if being used in recirculation mode, the charcoal filters.

In the event of a fault which you cannot correct yourself, or if the appliance is under guarantee, please contact:

- Your Miele Dealer / Chartered Agent
- or
- The Miele Service Department (see back cover for address).

When contacting your Dealer or Miele, please quote the model and serial number of your appliance. These are shown on the data plate which is visible when the grease filter is removed.

For G.B.: Please note that telephone calls may be monitored and recorded for training purposes.

N.B. A call-out charge will be applied for service visits where the problem could have been resolved as described in these instructions.

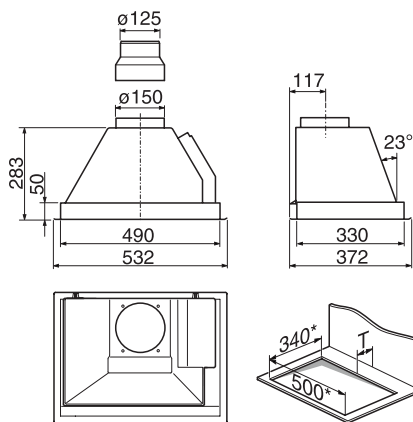
Guarantee

For information on the appliance guarantee specific to your country please contact Miele. See back cover for contact details.

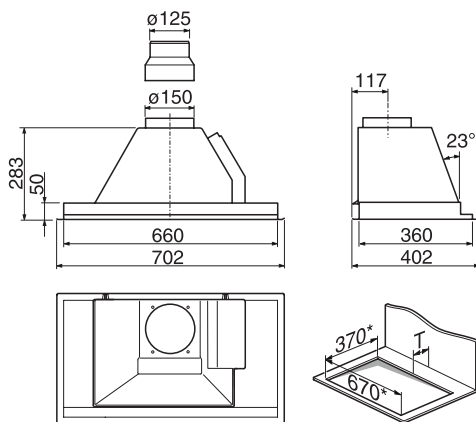
In the U.K. your appliance is guaranteed for 2 years from the date of purchase. To activate your cover call 0845 365 6640 or register online at www.miele.co.uk

Appliance dimensions

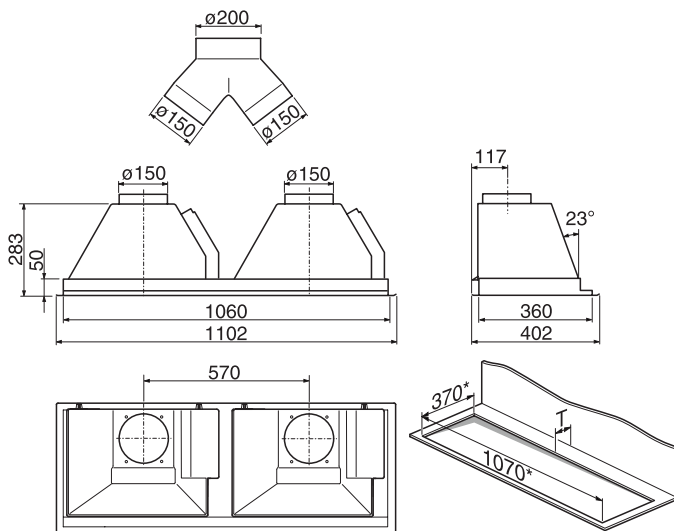
DA 2250, DA 2250 EXT



DA 2270, DA 2270 EXT



DA 2210



*Cut-out dimensions

A depth **T** of at least 25 mm must be provided at the back of the building-in niche.

Safety distance between hob and cooker hood

When planning the installation height of your cooker hood, the **minimum** safety distance between the top of a cooker or hob and the bottom of the cooker hood is as follows, unless a greater distance is specified by the manufacturer of your cooking appliance:

- 450 mm (GB), 600 mm (AU, NZ) above electric hobs and cookers
- 650 mm above an open grill or deep fat fryer.
- 650 mm above gas hobs and cookers

If this cooker hood is installed above a Miele Wok CS 1028 CombiSet appliance, a minimum safety distance of 760 mm must be maintained between the burner and the lower edge of the cooker hood.

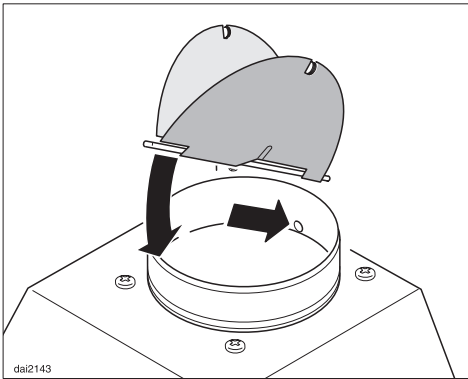
See "Warning and Safety" instructions for further information.

- When deciding on the safety distance between the hob and cooker hood, please note that a distance of 650 mm above electric cookers/hobs may be preferable to give more working space under the hood.
- Account should also be taken of the height of the person who will be using the hood most often. The person should have sufficient space to work comfortably at the hob, and also be able to reach the hood controls with ease.
- If positioned too high, extraction will be inefficient.

Installation

Fitting the non-return flap

(not needed for recirculation mode)



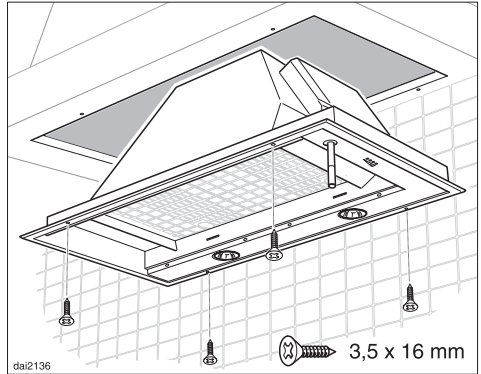
- If a non-return flap is not present in the venting system, the non-return flap supplied must be fitted onto the exhaust socket in the motor unit. The flaps must open upwards.
DA 2250, DA 2270: 1 non-return flap
DA 2210: 2 non-return flaps

Building in

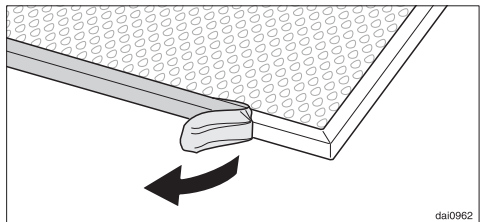
The cooker hood is designed for installation in wall units, cooker hood housing units, and above breakfast bars or island areas.

Check prior to installation that the top of the appliance will be accessible after installation.

If this is not the case, install the exhaust ducting and prepare the electrical connection **before** installation.

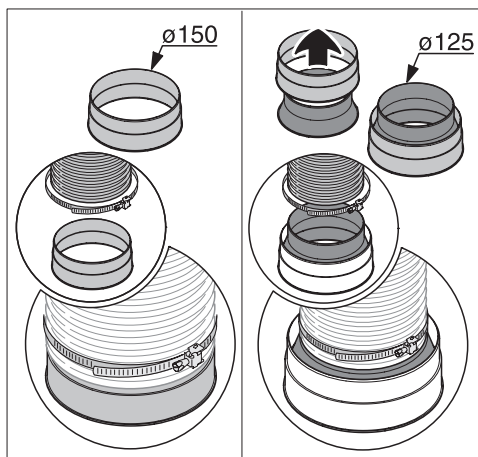


- Place the appliance in the cut-out from below and align it.
- Secure the cooker hood by the frame using 3.5 x 16 mm screws.



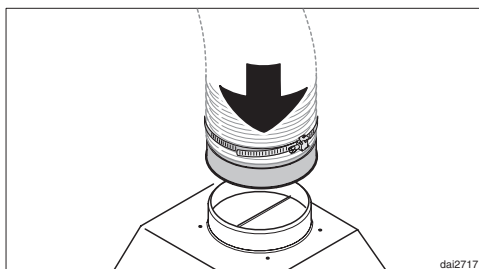
- Before using the appliance for the first time, take the grease filters out and remove the protective foil from the filter frame. Then replace the grease filters.

Preparation for extraction



- See "Connection for air extraction" for further instructions on fitting the ducting.
- DA 2210: The hood has two exhaust connections for use with two 150 mm diameter exhaust hoses. A Y- adapter is supplied with the hood. It may be used to feed the exhaust from both connections to a 200 mm diameter common duct.

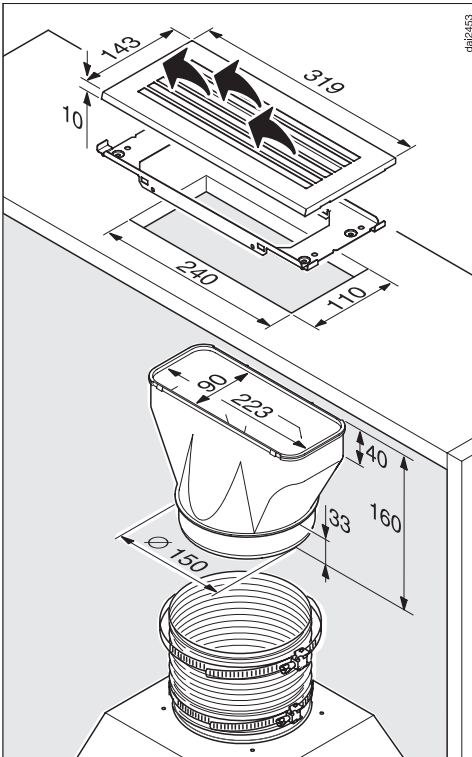
- When using \varnothing 150 mm ducting, secure the exhaust connection supplied to exhaust ducting with hose clips.
- If using \varnothing 125 mm ducting, fit the reducing collar into the exhaust connection, and secure the exhaust ducting to the reducing collar with a hose clip. (See "Connection for air extraction").



- Place the exhaust ducting on the fan connection for the cooker hood.

Installation

Recirculation



A non-return flap is not used in recirculation mode.

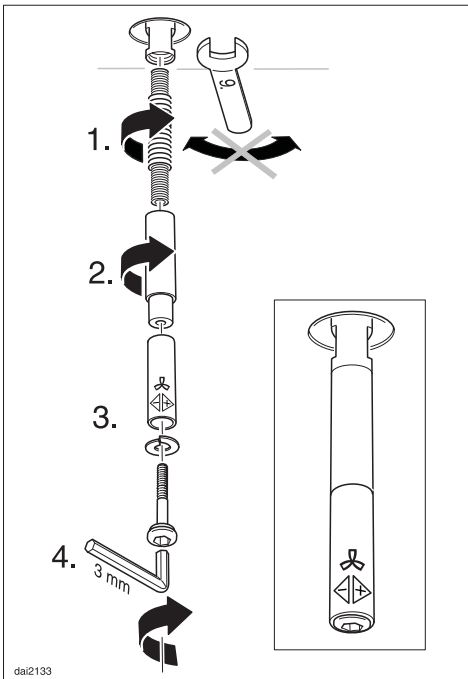
- Take the on-site conditions into account when fitting the conversion kit. When fitting the exhaust grille make sure that the slats in the grille point towards the centre of the room and not directly towards a wall or the ceiling.
- Fit the charcoal filters and set the filter operating hours counter (see "Cleaning and Care").


If site conditions are not suitable for the cooker hood to be used with air extraction, the appliance must be set up for recirculation.

For this, conversion kit DUU 151 (available from your Miele dealer or the Miele Spare Parts Dept.) is required. One conversion kit is required for the DA 2250 and 2270, and two kits for the DA 2210.

You will also require two charcoal filters for the DA 2250 and 2270, or 4 charcoal filters for the DA 2210 (see "Technical data").

Fitting the joystick

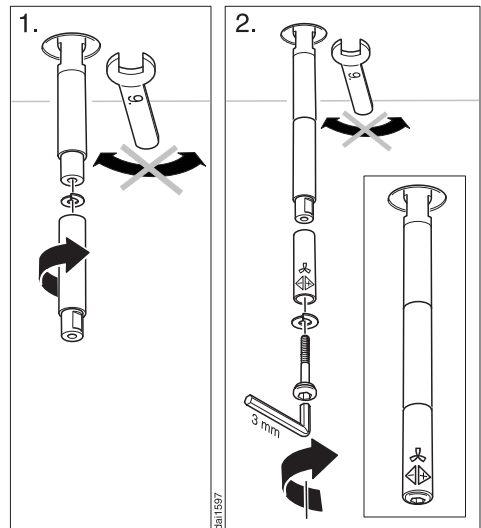



1. Screw the spring into the holder and tighten by hand. Whilst doing so counterhold the joystick with an SW 9 spanner. **Do not** turn the spanner!
2. Then fit the middle section onto the spring and tighten by hand whilst continuing to counterhold the joystick. **Do not** turn the spanner.
3. Then fit the lower section of the joystick and lightly secure in position with the screw supplied and a spring washer. Do not tighten the screw yet.
Turn the lower section around, until the  symbol is facing the front.

4. Then tighten the screw with a 3 mm allen key. Continue to counterhold the joystick with an SW 9 spanner. **Do not** turn the spanner.

Joystick extension

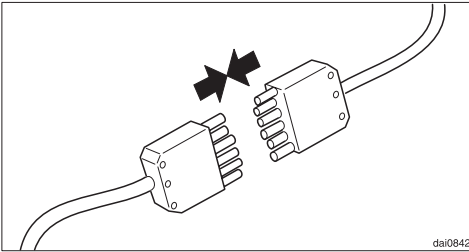
The joystick can be extended if required (special accessory - Miele DBV 100).



- Assemble the spring and top section as described above.
- Whilst counterholding the joystick with an SW 9 spanner (do not turn), secure the joystick extension to the top section.
- Then attach the lower section of the joystick to the extension piece as previously described, turn the  symbol to the front and then tighten the screw.

Installation

Electrical connection



- If the cooker hood is to be connected to an external motor (EXT models):
Use the connection cable with 6 pole plug to connect the cooker hood and the external motor.
- Connect the appliance to the mains via a fused spur or fused socket as appropriate.

Before connecting the appliance read the safety notes in "Warning and Safety instructions" and "Electrical connection".

Connection for air extraction

Important: To avoid the danger of toxic fumes, please observe the Warning and Safety instructions. This is especially crucial when using the cooker hood at the same time as another heating appliance which relies on air from the same room. The cooker hood should be installed according to local and national building regulations. Seek approval from the building inspector where necessary.

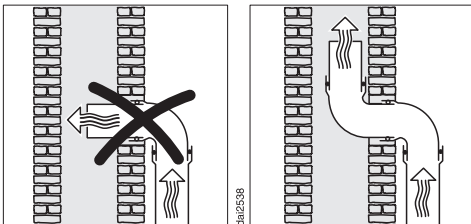
- Only use smooth pipes or flexible hoses made from non-flammable materials for the extraction ducting.
- When using an external motor, make sure that the exhaust ducting is sufficiently rigid. The external motor can cause an underpressure which can result in the exhaust ducting distorting.

To achieve the greatest possible air extraction with the lowest noise level, please note the following:

- To ensure efficient air extraction, the diameter of the exhaust ducting should not be less than 150 mm.
- If flat ducting is being used, the cross-section must not be smaller than the cross-section of the exhaust connection.
- All ducting, pipework and fittings must be of non-flammable materials.
- The exhaust ducting should be as short and straight as possible.
- Only use wide radius bends.
- The exhaust ducting should not be kinked or compressed.
- Ensure that all connections are strong and airtight.
- Where ducting is horizontal, it must be laid to slope away at at least 1 cm per metre. This is to ensure that condensate cannot drain back into the cooker hood.

Connection for air extraction

- If the exhaust air is to be ducted into the open air, the installation of a telescopic wall vent or roof vent (available as an optional accessory) is recommended.



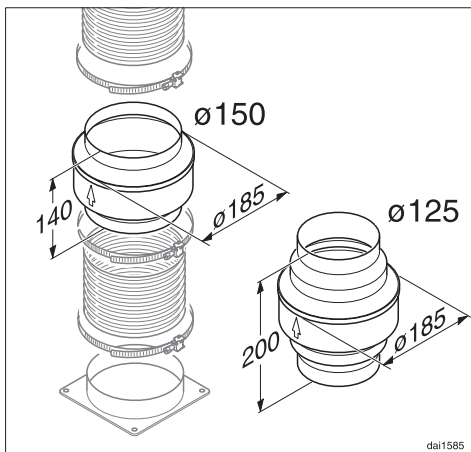
- If the exhaust air is to be ducted into a vent flue, the ducting must be directed in the flow direction of the flue.

Important:

If the exhaust ducting is to run through rooms, ceiling space etc. where there may be great variations in temperature between the different areas, the problem of condensation will need to be addressed. The exhaust ducting will need to be suitably insulated.

Condensate trap

(optional accessory)



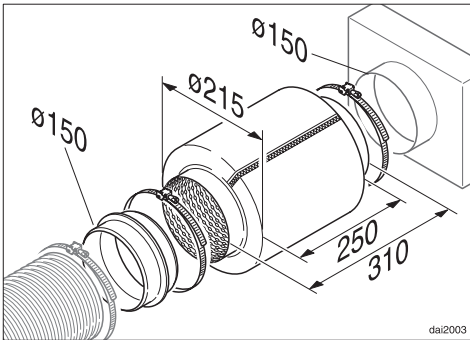
In addition to insulating the exhaust ducting, we recommend that a suitable condensate trap is also installed to collect and evaporate any condensate which may occur. Condensate traps are available for $\varnothing 125$ mm or $\varnothing 150$ mm ducting.

When installing a condensate trap, ensure that it is positioned vertically and if possible directly above the exhaust connection. The arrow on the housing indicates the direction of air-flow.

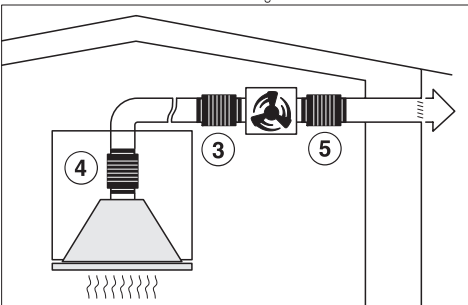
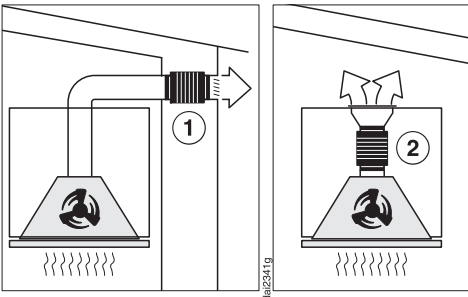
Cooker hoods designed for use with an external motor (...EXT models) have an integrated condensate trap.

Silencer

(optional accessory)



To achieve even further reductions in noise levels, a special silencer can be fitted in the ducting system.



...with air extraction:

The silencer not only reduces noise from the fan, but also sounds from outside (e.g. traffic noise). For this reason the silencer must be positioned as close as possible to where the ducting leaves the building ①.

...in recirculation mode:

The silencer needs to be positioned between the fan and the exhaust grille ②. The space needs to be checked in some cases.

...air extraction with external fan:

To minimise noise from the fan in the kitchen, the silencer should be positioned in front of the external fan ③ if possible, or if the ducting is long, then in the ducting inside the cooker hood itself ④.

In the case of an external fan placed inside the house, fitting a silencer behind the external fan ⑤ reduces the noise of the fan outside the house.

In all modes of operation, the most effective noise reductions are achieved if two silencers are fitted in the system.

Electrical connection

All electrical work should be undertaken by a suitably qualified and competent person in strict accordance with current national and local safety regulations (BS 7671 in the UK).

Installation, repairs and other work by unqualified persons could be dangerous, for which the manufacturer cannot be held liable.

Ensure power is not supplied to the appliance until after installation or repair work has been carried out.

Do not connect the appliance to the mains electricity supply by an extension lead. These do not guarantee the required safety of the appliance.

The connection data is given on the data plate. This is visible when the grease filters have been removed. Ensure that this data matches the household mains supply.

Connection of this appliance should be made via a suitable isolator or a double pole fused spur connection unit which complies with national and local safety regulations and the On-Off switch should be easily accessible after the appliance has been built in. When switched off there must be an all-pole contact gap of 3 mm in the switch (including switch, fuses and relays according to EN 60335).

If the switch is not accessible after installation (depending on country), an additional means of disconnection must be provided for all poles.

For extra safety it is advisable to protect the appliance with a suitable residual current device (RCD). Contact a qualified electrician for advice.

Important

This appliance is supplied for connection to an a.c. 230 V single phase 50 Hz supply.

The wires in the mains lead are coloured in accordance with the following code:

Green/yellow	= earth
Blue	= neutral
Brown	= live

**WARNING:
THIS APPLIANCE MUST BE
EARTHED**

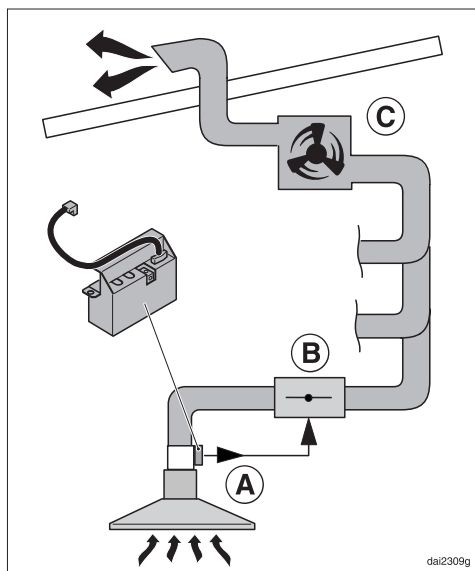
Operation with Control module DSM 400

The Miele DSM 400 control module can be used to combine the cooker hood with other components.

It enables the following:

Potential free connection

This can be used to operate a further appliance via the On/Off button ① on the cooker hood.



The potential free contact on the DSM 400 ① can, for example, be used in a cooker hood with an external motor ...EXT, which is connected to a central ducting system.

The contact can then be used to operate an electrically driven non-return flap ② which is connected to the central extraction unit ③.

Components used in the central ducting system are not supplied by Miele.

If in any doubt, the advice of a competent builder or, for gas, a Gas Safe installer must be sought.

Connection to a light switch

The control module can be used to switch on the cooker hood lighting and also to dim it, depending on model, via a light switch in the house.

Installation

The control module is fitted onto the cooker hood housing.

The electrical connection of components to the control module must be carried out by a suitably qualified and competent person.

Technical data

Total connected load*

DA 2250, DA 2270 300 W

DA 2210 780 W

– Fan motor

DA 2250, DA 2270 200 W

DA 2210 2 x 290 W

– Hob lighting

DA 2250, DA 2270 2 x 50 W

DA 2210 4 x 50 W

Voltage AC 230 V

Frequency 50 Hz

Fuse rating GB 5 A

AUS, NZ:

Plug rating 10 A

Test marks Electrical safety

. C-Tick Mark

Electrically suppressed
according to AS/NZS 1044

Electrical cable length 1.5 m

Weight

DA 2250 8 kg

DA 2250 EXT 5.5 kg

DA 2270 9.5 kg

DA 2270 EXT 7 kg

DA 2210 16 kg

Special accessory for recirculation mode:

- **Conversion kit DUU 151**
2 kits are required for the DA 2210
- **Miele charcoal filter pack DKF 15-1**
(each pack contains 2 filters)
2 packs are required for the DA 2210

Fan performance*

Extraction power according to EN 61591

DA 2250, DA 2270:

Extraction system Ø 150 mm

Level I 200 m³/h

Level II 300 m³/h

Level III 400 m³/h

Level IV Intensive Setting 640 m³/h

Recirculation with charcoal filter:

Level I 140 m³/h

Level II 240 m³/h

Level III 360 m³/h

Level IV Intensive Setting 550 m³/h

DA 2210:

Extraction system 2 x Ø 150 mm

Level I 650 m³/h

Level II 950 m³/h

Level III 1250 m³/h

Level IV Intensive Setting 1850 m³/h

Recirculation with charcoal filter:

Level I 600 m³/h

Level II 900 m³/h

Level III 1200 m³/h

Level IV Intensive Setting 1550 m³/h

* For EXT models,

the rated load and extraction power will depend on the type of external motor fitted.

Length of connection cable to external motor 1.9 m

United Kingdom

Miele Co. Ltd.
Fairacres, Marcham Road
Abingdon, Oxon, OX14 1TW
Tel: 0845 365 0555
Fax: 0845 365 0777
Customer Contact Centre Tel: 0845 365 6600
E-mail: info@miele.co.uk
Internet: www.miele.co.uk

Australia

Miele Australia Pty. Ltd.
ABN 96 005 635 398
1 Gilbert Park Drive, Knoxfield, VIC 3180
Tel: (03) 9764 7130, Fax: (03) 9764 7149
Internet: www.miele.com.au

China

Miele (Shanghai) Trading Ltd.
1-3 Floor, No. 82 Shi Men Yi Road
Jing' an District
200040 Shanghai, PRC
Tel: +86 21 6157 3500
Fax: +86 21 6157 3511
E-mail: miele Shanghai@cn.miele.com
Internet: www.miele.cn

Miele (Hong Kong) Limited

41/F - 4101, Manhattan Place
23 Wang Tai Road
Kowloon Bay
Hong Kong
Tel: (852) 2610 1331
Fax: (852) 2610 1013
Email: mielehk@miele.com.hk

India

Miele India Pvt. Ltd.
Ground Floor, Copia Corporate Suites
Plot No. 9, Jasola
New Delhi - 110025
Tel: 011-46 900 000, Fax: 011-46 900 001
E-mail: customercare@miele.in
Internet: www.miele.in

Manufacturer: Germany - Miele & Cie. KG
Carl-Miele-Straße 29, 33332 Gütersloh

Miele

Ireland

Miele Ireland Ltd.
2024 Bianconi Avenue
Citywest Business Campus, Dublin 24
Tel: (01) 461 07 10, Fax: (01) 461 07 97
E-Mail: info@miele.ie, Internet: www.miele.ie

New Zealand

Miele New Zealand Limited
Unit L, 10-20 Sylvia Park Road
Mt. Wellington, 1060, Auckland, NZ
Tel: 0800 264 353, Fax: 0800 463 453
Internet: www.miele.co.nz

Singapore

Miele Southeast Asia
Miele Pte. Ltd.
163 Penang Road
04 - 02/03 Winsland House II
Singapore 238463
Tel: +65 6735 1191, Fax: +65 6735 1161
E-Mail: infosea@miele.com.sg
Internet: www.miele.sg

South Africa

Miele (Pty) Ltd
63 Peter Place, Bryanston 2194
P.O. Box 69434, Bryanston 2021
Tel: +27 (0) 11 548-1900
Fax: +27 (0) 11 548-1935
E-mail: info@miele.co.za
Internet: www.miele.co.za

United Arab Emirates

Miele Appliances Ltd.
P.O. Box 11 47 82
Gold & Diamond Park
Sheikh Zayed Road
Building 6 / Offices Nos. 6-214 to 6-220
Dubai
Tel: +971-4-341 84 44
Fax: +971-4-341 88 52
E-Mail: info@miele.ae
Internet: www.miele.ae

Free Manuals Download Website

<http://myh66.com>

<http://usermanuals.us>

<http://www.somanuals.com>

<http://www.4manuals.cc>

<http://www.manual-lib.com>

<http://www.404manual.com>

<http://www.luxmanual.com>

<http://aubethermostatmanual.com>

Golf course search by state

<http://golfingnear.com>

Email search by domain

<http://emailbydomain.com>

Auto manuals search

<http://auto.somanuals.com>

TV manuals search

<http://tv.somanuals.com>