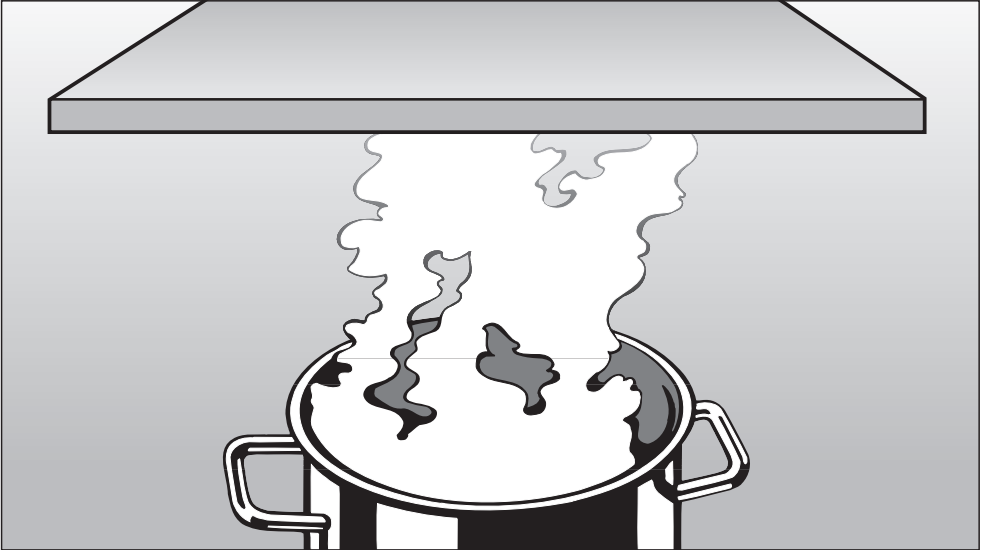


Operating and installation instructions



Cooker hoods

DA 3160

DA 3180

DA 3190

DA 3160 EXT

DA 3190 EXT

To avoid the risk of accidents
or damage to this appliance
it is **essential** to read these
instructions before it is installed
and used for the first time.

en - GB

M.-Nr. 06 681 580

Contents

Caring for the environment	3
Warning and Safety instructions	4
Guide to the appliance	10
Description of the functions	12
Operation	13
Cleaning and care	15
Housing	15
Grease filter	16
Fitting and replacing the charcoal filter	18
Changing a halogen lamp	19
Appliance dimensions	20
Installation	22
Installation accessories	22
Positioning the appliance in the wall housing unit	25
Set up for extraction mode	29
Set up for recirculation mode	30
Electrical connection	30
Connection for air extraction	31
Condensate trap	32
Silencer	32
Electrical connection	33
Operation with DSM 400 control module	34
Connection to a window contact switch	34
Potential free connection	34
Connection to a light switch	35
After Sales Service	36
Technical data	37

Disposal of the packing material

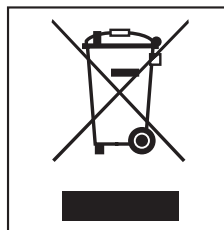
The transport and protective packing has been selected from materials which are environmentally friendly for disposal, and can normally be recycled.

Packaging e.g. cling film, polystyrene and plastic wrappings must be kept out of the reach of babies and young children. Danger of suffocation!

Dispose of or recycle all packaging materials safely as soon as possible.

Disposal of your old appliance

Electrical and electronic appliances often contain materials which, if handled or disposed of incorrectly, could be potentially hazardous to human health and to the environment. They are, however, essential for the correct functioning of your appliance. Please do not therefore dispose of your old appliance with your household waste.



Please dispose of it at your local community waste collection / recycling centre and ensure that it presents no danger to children while being stored for disposal.

It should be unplugged or disconnected from the mains electricity supply by a competent person.

Warning and Safety instructions

This appliance complies with all relevant local and national safety requirements. Inappropriate use can, however, lead to personal injury and damage to property.

To avoid the risk of accidents and damage to the appliance, please read these instructions carefully before using it for the first time. They contain important information on the safety, installation, use and maintenance of the appliance.

Keep these instructions in a safe place and ensure that all users are familiar with the contents. Pass them on to any future owner of the appliance.

Correct application

► This appliance is intended for domestic use only. Any other usage is at the owner's risk and could be dangerous. The manufacturer cannot be held liable for damage resulting from incorrect or improper use or operation.

► This appliance is not intended for use by persons (including children) with reduced physical, sensory or mental capabilities, or lack of experience or knowledge, unless they have been given supervision or instruction concerning its use by a person responsible for their safety.

Safety with children

► This appliance is only intended for use by adults who have read these instructions.

► This appliance is not a toy! To avoid the risk of injury, keep children well away and do not allow them to play with it or to use the controls. They will not understand the potential dangers posed by it. They should be supervised whenever you are working in the kitchen.

► Older children may use the cooker hood only when its operation has been clearly explained to them and they are able to use it safely, recognising the dangers of misuse.

► Please be aware that on cooker hoods with halogen lighting, the lamps will get very hot during use and remain hot for some time after switching off. To safeguard against burning, keep children well away from the lamps at all times.

Technical safety

► Before installation, check the cooker hood for visible signs of damage. Under no circumstances should you use a damaged appliance. A damaged appliance is dangerous.

Warning and Safety instructions

► Before connecting the appliance to the mains supply, make sure that the voltage and frequency details given on the data plate correspond with the on-site electricity supply, otherwise the appliance could be damaged. Consult a qualified electrician if in any doubt.

► The electrical safety of this appliance can only be guaranteed when continuity is complete between the appliance and an effective earthing system which complies with current local and national safety regulations. It is most important that this basic safety requirement is present and tested regularly, and where there is any doubt, the household wiring system should be inspected by a qualified electrician. The manufacturer cannot be held liable for the consequences of an inadequate earthing system (e.g. electric shock).

► For safety reasons, this appliance may only be used when it has been fully installed.

► Only open the housing as described in the instructions given in the installation sheet and in the Cleaning and care section of this booklet. Under no circumstances should any other parts of the housing be opened. Tampering with electrical connections or components and mechanical parts is highly dangerous to the user, and can cause operational faults.

► Installation, maintenance and repairs may only be carried out by a Miele authorised person in accordance with current national and local safety regulations.

Repairs and other work by unqualified persons could be dangerous. The manufacturer cannot be held liable for unauthorised work.

► Faulty components must only be replaced by genuine Miele original parts. The manufacturer can only guarantee the safety of the appliance when Miele replacement parts are used.

► During installation, maintenance and repair work, the appliance must be disconnected from the mains electricity supply. It is only completely isolated from the electricity supply when:

- it is switched off at the isolator, or
- the screw-out fuse is removed (in countries where this is applicable), or
- the mains fuse is disconnected, or
- it is switched off at the wall socket and the plug withdrawn, or
- the fuse from the fused spur connection unit is withdrawn.

Warning and Safety instructions

▶ Do not connect the appliance to the mains electricity supply by a multi-socket unit or an extension lead. These do not guarantee the required safety of the appliance (e.g. danger of overheating).

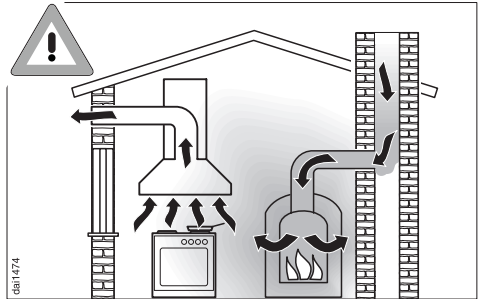
▶ For appliances with an external fan motor fitted (...EXT models) the connection of the two units must be made using the connection cable and the plug connectors. These models may only be combined with a Miele external motor.

▶ This appliance may only be used in mobile installations such as ships, caravans, aircraft etc. if a risk assessment of the installation has been carried out by a suitably qualified engineer.

▶ In countries where there are areas which may be subject to infestation by cockroaches or other vermin, pay particular attention to keeping the appliance and its surroundings in a clean condition at all times. Any damage which may be caused by cockroaches or other vermin will not be covered by the guarantee.

Using at the same time as other heating appliances that depend on the air from the room

Warning - danger of toxic fumes



▶ Great care should be taken when using the cooker hood at the same time and in the same room or area of the house as another heating appliance which depends on the air in the room. Such appliances include gas, oil, wood or coal-fired boilers and heaters, continuous flow or other water heaters, gas hobs, cookers or ovens which draw air in from the room and duct exhaust gases out through a chimney or extraction ducting.

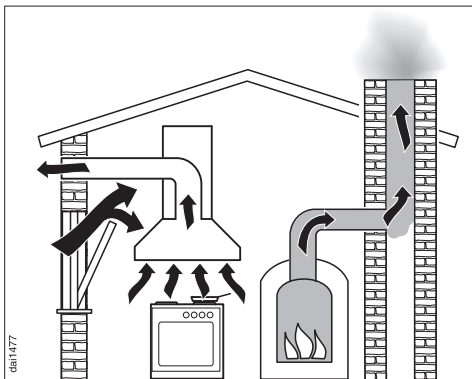
When used in extraction mode, with or without an external motor fitted, the appliance draws air in from the room in which it is installed **and** from neighbouring rooms.

If there is insufficient air, an underpressure will occur. The heating appliance may be starved of oxygen, impairing combustion.


Harmful gases could be drawn out of the chimney or extraction ducting back into the room, with potentially fatal consequences.

Warning and Safety instructions

In order to ensure safe operation, and to prevent gases given off by the heating appliances from being drawn back into the room when the cooker hood and the heater are in operation simultaneously, an underpressure in the room of 0.04 mbar (4 pa) is the maximum permissible.



Ventilation can be maintained by air inlets which cannot be blocked, in windows, doors and outside wall vents, or by other technical measures, such as ensuring that the cooker hood can only be switched on when the heating appliance is switched off or vice versa. A ventilation brick alone is not generally sufficient to ensure safe ventilation.

 The overall ventilation condition of the dwelling must be taken into account. If in any doubt, the advice of a competent builder or, for gas, a "Corgi" installer, must be sought.

One of the following technical measures may be necessary to ensure safe operation.

- If the only way of ensuring adequate ventilation is via an open window, a window contact switch should be fitted to ensure that the cooker hood can only operate when the window is opened sufficiently. A window contact switch kit is available from good builders' merchants. Take care when ventilating the room through an open window that ventilation is not impaired by a closed blind or curtain.
- The cooker hood can be set up to automatically switch on an air intake fan or open a motorised inlet flap when it is switched on.
- The cooker hood can be set up to automatically switch off a heating appliance which also depends on the air from the room when it is switched on.

The Miele DSM 400 control module offers the possibility of combining other components with the cooker hood (see "Operation with Control module DSM 400").

It is available to purchase as an optional extra.

If in any doubt, the advice of a competent builder or, for gas, a "Corgi" installer, must be sought.

If the hood is being operated in recirculation mode, the above restrictions do not apply.

Warning and Safety instructions

Correct use

▶ Never use an open flame beneath the cooker hood. To avoid the danger of fire, do not flambé or grill over an open flame.

When switched on, the cooker hood could draw flames into the filter. Fat particles drawn into the cooker hood present a fire hazard.

▶ When using the cooker hood over a gas hob, ensure that any burners in use are always covered by a pan. Switch the cooking zone off when a pan is removed, even for a short time.

Regulate the flame so that it does not burn up the sides of the pan.

Do not allow the pans to overheat excessively (e.g. when using a wok).

The cooker hood can become damaged when exposed to excessive heat.

▶ Always switch the cooker hood on when a cooking zone is in use, otherwise condensation may collect in the hood, which could cause corrosion.

▶ When cooking with oil or fat, chip pans and deep fat fryers etc, do not leave the pans unattended. Never leave an open grill unattended when grilling. Overheated oil and fat can ignite and could set the cooker hood on fire.

▶ Do not use the cooker hood without the filters in place. This way you will avoid the risk of grease and dirt getting into the appliance and hindering its smooth operation.

▶ The filters should be regularly cleaned or changed as appropriate. Saturated filters are a fire hazard. See "Cleaning and care".

▶ Do not use a steam-cleaner to clean this appliance. Pressurised steam could reach the electrical components and cause a short circuit.

Correct installation

▶ Refer to the cooker or hob manufacturer's instructions as to whether a cooker hood may be operated above the cooker/hob.

▶ The minimum safety distances between the top of the cooker or hob and the bottom of the cooker hood given in the "Appliance dimensions" section of this booklet must be maintained, unless the hob manufacturer states that a greater safety distance is required.

If more than one cooking appliance is fitted beneath the cooker hood, and they have different minimum safety distances to the cooker hood, select the greater distance.

Warning and Safety instructions

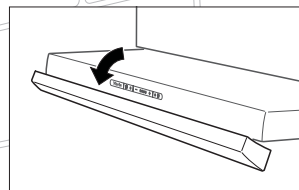
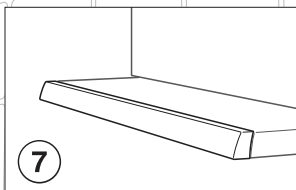
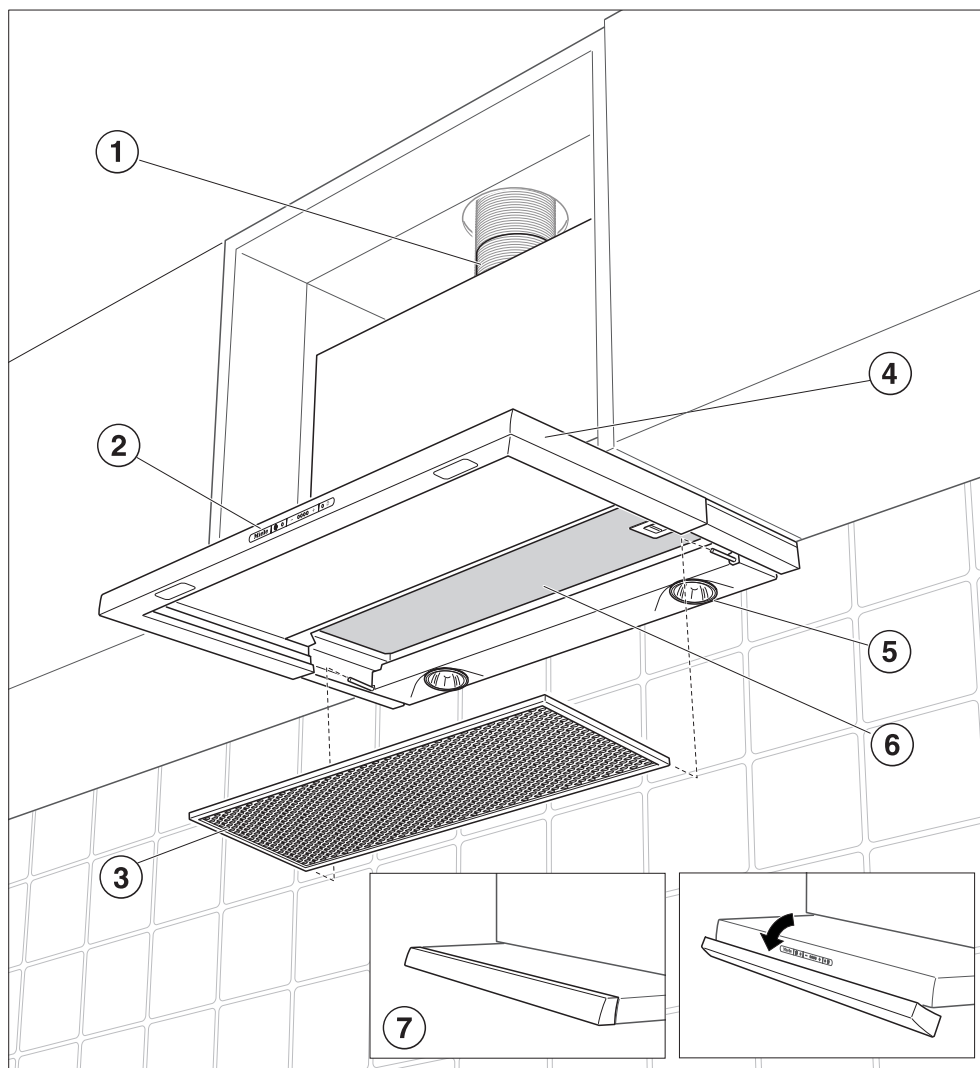
- ▶ Follow the cooker or hob manufacturer's instructions on the use of flammable materials over the cooker/hob when installing a wood or laminate lightshield onto the cooker hood.
- ▶ Safety regulations prohibit the fitting of a cooker hood over solid fuel stoves.
- ▶ All ducting, pipework and fittings must be of non-flammable material. These can be obtained from the Miele Spare Parts department or from builders' merchants.
- ▶ The appliance must not be connected to a chimney or vent flue which is in use. Neither should it be connected to ducting which ventilates rooms with fireplaces.
- ▶ If exhaust air is to be extracted into a chimney or ventilation duct no longer used for other purposes, seek professional advice.

The manufacturer cannot be held liable for damage caused by non-compliance with these Warning and Safety instructions.

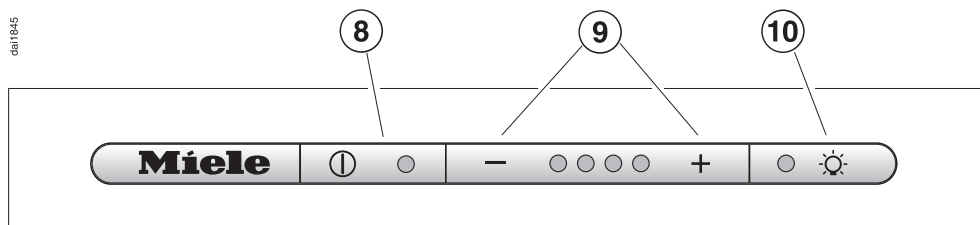
Accessories

- ▶ Only use genuine Miele spare parts and accessories with this appliance. If spare parts or accessories from other manufacturers are used, this will invalidate the guarantee, and Miele cannot accept liability.

Guide to the appliance



6311845



- ① **Exhaust socket** \varnothing 150 mm
- ② **Control panel**
- ③ **Grease filter**
- ④ **Pull-out deflector plate**
- ⑤ **Hob lighting**
- ⑥ **Charcoal filter**
(extra accessory available to order for recirculation mode)
- ⑦ **Drop-down lightshield to conceal control panel**
The front of the deflector plate can be fitted with a lightshield to match your kitchen furniture (max. weight 1300 g.).
The DA 3160 and DA 3190 can be fitted with a DFB 61 or DFB 91 lightshield, available as an optional accessory.
- ⑧ **On/Off touch control for the fan**
- ⑨ **Controls to select fan power level**
- ⑩ **Lighting touch control**

Description of the functions

The cooker hood works with

. . . air extraction:

The air is drawn in, cleaned by the grease filter and then directed outside.

If the on-site ventilation system does not have a **non-return flap**, then the non-return flap supplied with the appliance must be fitted in the exhaust socket in the motor unit.

Having a non-return flap fitted in the ducting ensures that air, once ducted to the outside, cannot get back into the room again.

The flap is closed when the cooker hood is switched off.

When the cooker hood is switched on, the non-return flap opens for the cooking vapours to be blown directly outside.

. . . air recirculation:

(air recirculation conversion kit required)

The air is drawn in and cleaned first by the grease filter and then by a **charcoal filter**. The cleaned air is then recirculated back into the kitchen.

Charcoal filters are available to order through your Dealer or the Miele Spare Parts Department or via the internet on www.miele-shop.com. (See back cover for contact details and "Technical Data" for model number).

Before using the cooker hood in recirculation mode, ensure that the charcoal filter is in place; see "Cleaning and care".

. . . an external motor:

(EXT models only)

The EXT models are designed to be connected to an external motor located outside the room.

The external motor is connected to the cooker hood by means of a control cable, and is operated by the controls on the cooker hood.

The cooker hood is operated by pulling out and pushing in the deflector plate.

To switch the fan on

- Pull out the deflector plate.

The fan will begin to operate at setting II.



The On/Off indicator lamp and the 2nd - / + power level indicator lamp will light up.

If the cooker hood has been connected to a window contact switch via the Miele DSM 400 control module, then the fan cannot be switched on if the window is shut. The indicator lamp will flash.

To select a power level



- Use the - / + controls to select the power level required.

The indicator lamps show which power level has been chosen.

Depending on the intensity of the cooking vapours, levels I to III (green indicator lamps) are usually sufficient for normal cooking.

When frying or cooking food with a strong aroma, you may wish to select the Intensive setting (yellow indicator lamp) for a short period.

Pull the deflector plate right out to achieve optimum extraction and to prevent unnecessary noise levels.

To switch the fan off

- Push the deflector plate back in. The next time the deflector plate is pulled out, the cooker hood will operate at power level II again.

or

- Press the On/Off touch control for the fan

All the indicator lamps will go out.

To switch the lighting on

- Pull out the deflector plate.

or



- Press the touch control for the lighting again.

When the lighting is switched on, the indicator lamp lights up.

To switch the lighting off

- Push the deflector plate back in.

or

- Press the touch control for the lighting.

The indicator lamp will go out.

Operation

Automatic switch-off of the Intensive setting

You can set the Intensive setting so that it only runs for 10 minutes before reverting automatically to level III.

- To set this option, both the fan and the hob lighting must be switched off and the deflector plate pushed in.



- Press the – and + touch controls at the same time for approx. 10 seconds until the first power level indicator lamp lights up in the display.

- Then press, one after the other,



- the hob lighting touch control,



- then the – touch control, and



- the hob lighting touch control again.

The indicator lamps for fan power levels I and IV will flash if the automatic switch-off of the Intensive setting is not activated.



- Press the + touch control to activate automatic switch-off. The indicator lamps for fan power levels I and IV will now light up constantly. Press the – touch control to deactivate the automatic switch-off function.



- Press the On/Off touch control to confirm.

Safety cut-out

Should the cooker hood be left on, the fan will switch off automatically after 10 hours. The lighting will remain on.



- Pressing the On/Off control will switch the fan back on again.

Before any cleaning or maintenance work is carried out, disconnect the cooker hood from the mains supply.

Ensure that:

- it is switched off at the wall socket and the plug is withdrawn, or
- the fuse is withdrawn from the fused spur connection unit, or
- the mains fuse is disconnected, or
- the screw-out fuse is removed (in countries where this is applicable).

A microfibre "E-Cloth" is available from the Miele UK Spare Parts Department, which is suitable for cleaning surfaces such as stainless steel, glass, plastic and chrome without the use of chemicals. It can be washed 300 times.

Housing

General notes

Warning: The surfaces and controls are susceptible to scratches and abrasions. Please observe the following cleaning instructions.

- All external surfaces and controls can be cleaned using warm water with a little washing-up liquid applied with a well wrung-out soft sponge or cloth.
- Wipe the surfaces dry using a soft cloth.

Do not use too much water when cleaning the controls. Water could penetrate into the electronics and cause damage.

Do not use:

- cleaning agents containing soda, acids, chlorides or solvents,
- abrasive cleaning agents, e.g. powder cleaners or cream cleaners and abrasive sponges, as well as pot scourers or sponges which have been used previously with abrasive cleaning agents. These will damage the surface material.

Important for appliances with stainless steel housing

(This information does not apply to the controls).

Stainless steel surfaces can be cleaned with a proprietary non-abrasive cleaning agent designed specifically for use on stainless steel.

To help prevent re-soiling, a proprietary conditioning agent for stainless steel (available from the Miele UK Spare Parts Department or via the internet on www.miele-shop.com) can also be used. Follow the manufacturer's instructions, and apply sparingly with an even pressure in the direction of the "grain".

Controls

The controls may suffer discolouration or damage if soiling is left on them for too long. Remove soiling straight away.

Observe the General notes on cleaning earlier in this section.

Do not use stainless steel cleaning agents on the controls.

Cleaning and care

Important for DFB aluminium lightshields

(optional accessory)

Aluminium is affected by the way that light falls on it, by the surrounding environment and by the angle you observe it from.

Aluminium surfaces may suffer discolouration or damage if soiling is left on them for too long. Remove any soiling straight away.

Observe the General notes on cleaning earlier in this section.

Do not use:

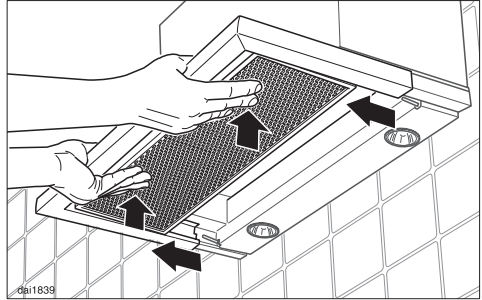
- stainless steel cleaners,
- cleaning agents containing descaling agents,
- dishwasher detergent,
- oven sprays.

Grease filter

The re-usable metal grease filter in the appliance removes solid particles from the kitchen vapours (grease, dust, etc) preventing soiling of the cooker hood.

To avoid a build-up of fat, it should be cleaned every 3-4 weeks on average, but sooner if necessary.

An oversaturated filter is a fire hazard.



- Grip the front of the deflector plate together with the grease filter, and pull outwards as shown.
- Then pull the filter downwards to remove.

To avoid damaging the filter or the hob below, make sure you hold the filter securely at all times when handling it.



- Press the On/Off touch control to switch the fan off.

Cleaning the grease filters by hand

- Clean the filters with a soft nylon brush in a mild solution of hot water and a little washing-up liquid. Do not use "neat" washing up liquid.

Do not use:

- cleaning agents containing descaling agents,
- powder cleaners, cream cleaners or abrasive all-purpose cleaning agents,
- oven sprays.

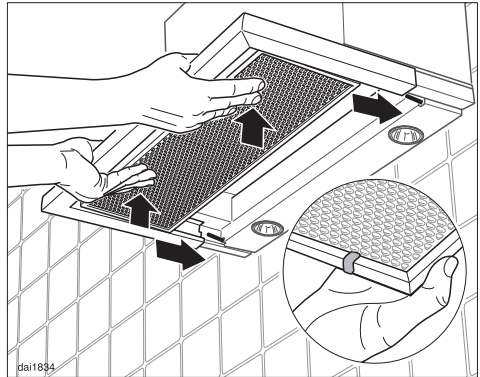
Cleaning the grease filters in the dishwasher

Place the filters with the short side upright in the lower basket, and wash on a 65°C programme using a mild dishwasher detergent, ensuring the spray arm is not obstructed.

Depending on the cleaning agent used, cleaning the grease filter in a dishwasher can cause permanent discolouration to the surface. However, this will not affect the functioning of the filter in any way.

- After cleaning, leave the filter to dry for a while on an absorbent surface before putting it back in place.

- When removing the filter for cleaning, also clean off any residues of oil or fat from the now accessible housing to prevent the risk of these catching fire.



- When putting it back, make sure that the **red plastic guides** are at the front and facing upwards.
- Replace the grease filter in the front of the deflector plate, press it upwards and push it in together with the deflector plate. It will slide onto the fixing pins at the back. Finally, push the grease filter back a little more.

Cleaning and care

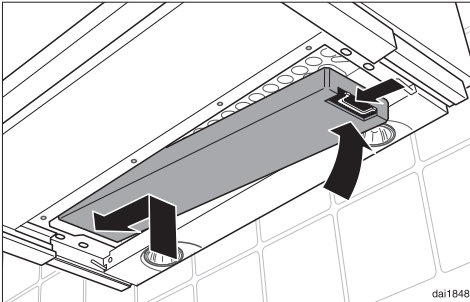
Fitting and replacing the charcoal filter

If the cooker hood is connected for recirculation, a charcoal filter (optional accessory) must be inserted in addition to the grease filter.

This is designed to absorb cooking smells.

It is fitted in the canopy above the grease filter.

Replacement charcoal filters can be obtained from your dealer or the Miele Spare Parts department or via the internet on www.miele-shop.com. See back cover for contact details, and "Technical data" for type and reference number.



Follow the instructions supplied with the charcoal filter when fitting it.

Replace the charcoal filter at least every six months or more frequently if necessary.

Used charcoal filters can be disposed of with the normal household waste.

Changing a halogen lamp

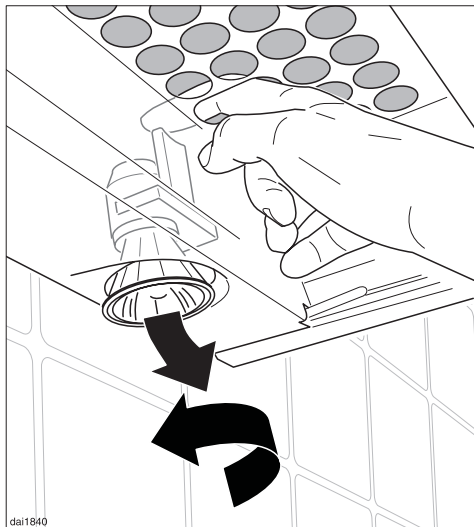
- Pull out the deflector plate, and remove the grease filter as described earlier.
- Switch off the fan and the lighting.

Exercise caution when changing halogen lamps. They get very hot during use, and remain hot for some time after being switched off. Do not touch the surface directly when changing a lamp, as grease particles from your fingers will adhere to the surface and damage it. Please follow the manufacturer's instructions.

- Remove the charcoal filter if the cooker hood is being used in recirculation mode.

Before any cleaning or maintenance work, disconnect the cooker hood from the mains supply. Ensure that

- it is switched off at the wall socket and the plug is withdrawn, or
- the fuse is withdrawn from the fused spur connection unit, or
- the mains fuse is withdrawn, or
- the screw-out fuse is removed (in countries where this is applicable).

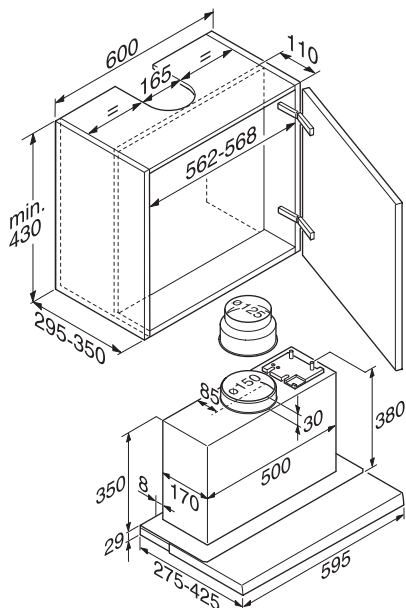


- Push down the lighting unit slightly via the opening in the safety panel.
- The halogen lamp is now accessible to be unscrewed anti-clockwise.

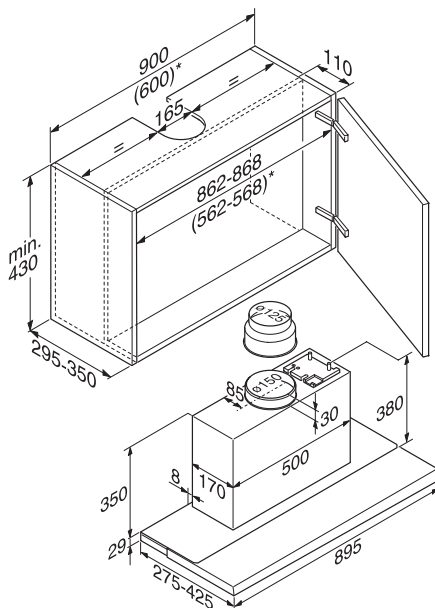
Replace with a halogen lamp of the same specification:
PHILIPS GZ 10, 230 V, 50 W, 50°.

- Screw the new lamp into the socket, and push it upwards.
- Replace the grease filter and, if being used in recirculation mode, the charcoal filter.

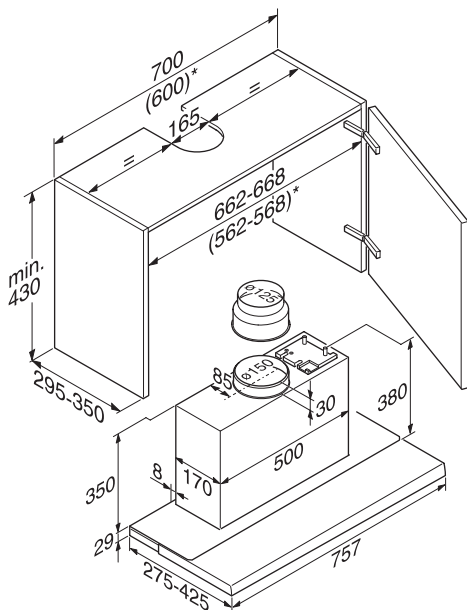
Appliance dimensions



DA 3160



DA 3190*



DA 3180*

- The front section of the wall housing unit must be fitted with a shelf to the depth of the partition wall.
- The partition wall in the wall unit must be removable.

* Installation is also possible in a 600 mm wide unit.

Safety distance between hob and cooker hood

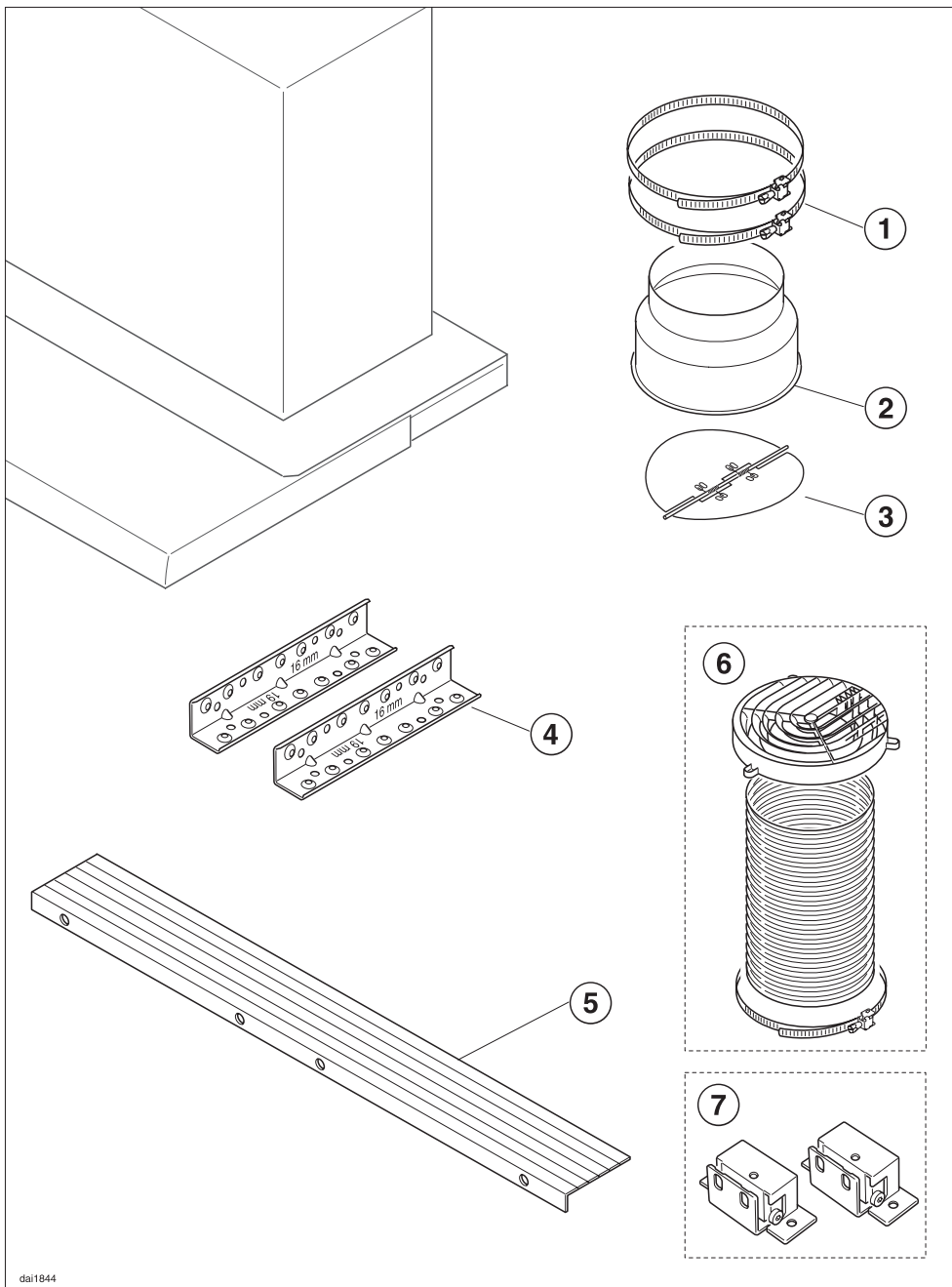
The minimum safety distances between the top of a cooker or hob and the bottom of the cooker hood are as follows, unless a greater distance is specified by the manufacturer of your cooking appliance:

- 450 mm above electric hobs and cookers,
- 650 mm above gas hobs and cookers,
- 650 mm above an open grill or deep fat fryer.

See “Warning and Safety instructions” for further information.

Installation

Installation accessories



dai1844

① **2 hose clips**

for securing the vent ducting to the exhaust socket.



② **1 reducing collar**

for exhaust ducting Ø125 mm (not on EXT models).

③ **1 non-return flap**

for fitting into the exhaust socket on the motor unit (only for air extraction mode, not on EXT models).

④ **2 brackets**

to support the appliance in the wall unit.

⑤ **1 spacer strip**

to conceal the gap between the rear of the appliance and the wall.

⑥ **Conversion kit for recirculation mode**

including exhaust grille and flexible aluminium hose (the conversion kit is not supplied with the cooker hood but is available as an optional accessory; see "Technical data").

⑦ **DML 300 installation kit** (optional accessory)

contains hinging and screws for fixing a lightshield to match kitchen furniture (lightshield not supplied with cooker hood)

14 screws 3.5 x 16 mm

for securing the cooker hood into the wall unit.



8 screws M4 x 12 mm

for securing the cooker hood to the brackets.

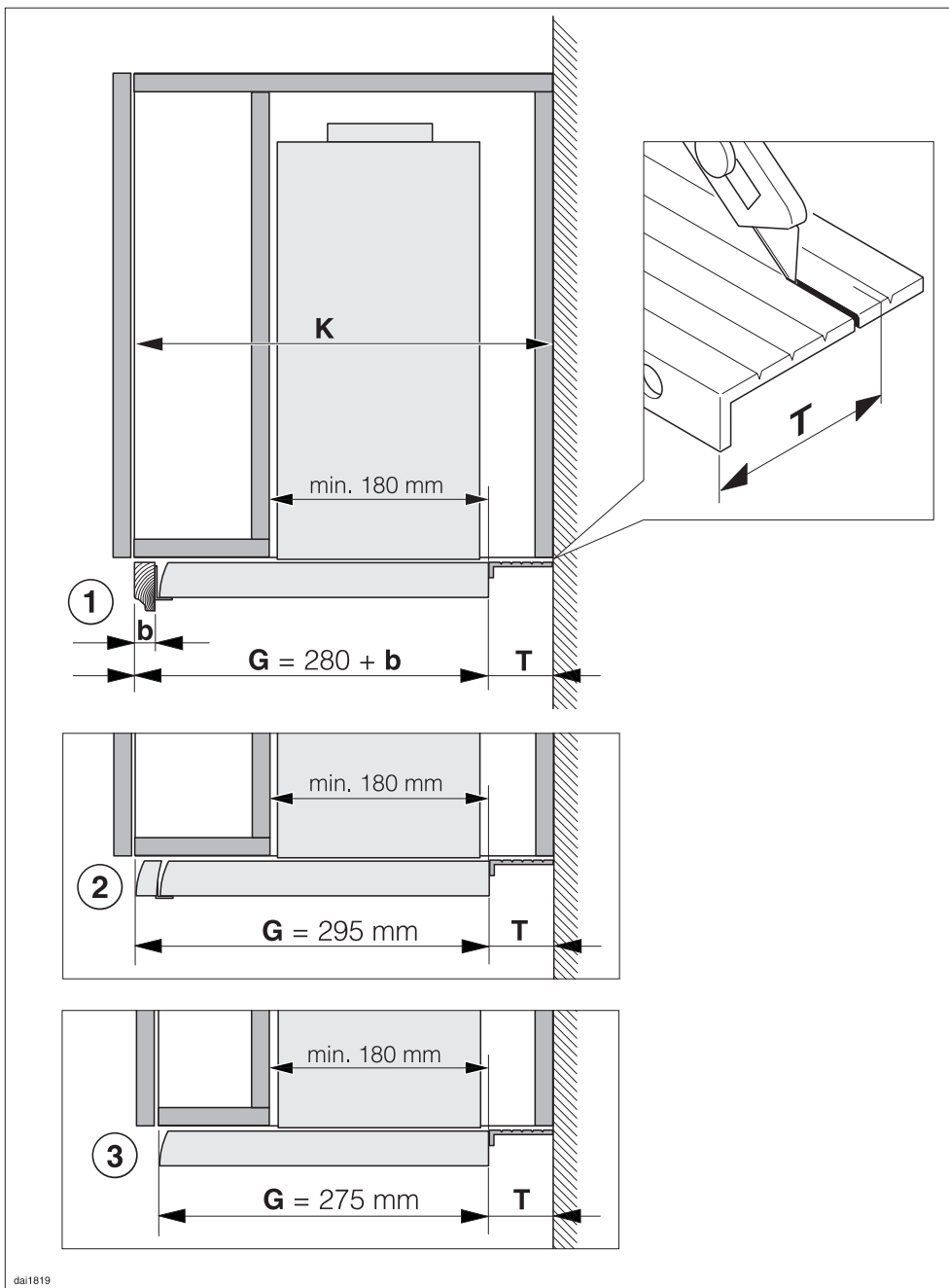
4 of the screws can be used instead of the plastic rivets to secure the spacer strip.



4 plastic rivets

for securing the spacer strip to the back of the appliance.

Installation



Positioning the appliance in the wall housing unit

To position the appliance correctly, cut the spacer strip to required depth **T**, and then attach it to the back of the appliance.

T = Depth of carcass **K** minus depth of appliance **G**

■ The depth of appliance **G** depends on the lightshield being used:

- ① Lightshield to match existing kitchen furniture
- ② DFB lightshield (optional accessory)
- ③ No lightshield.

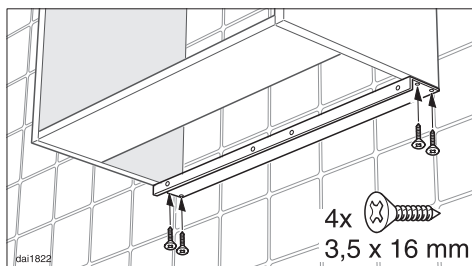
This is based on a lightshield which aligns with the front edge of the carcass.

If the lightshield is further forward or back, measurement **T** will need to be adjusted accordingly.

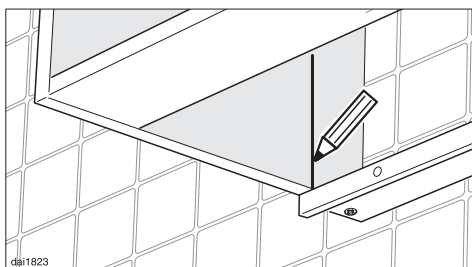
When installing a shelf or partition wall, the building-in space at the back must not be less than 180 mm.

If it is less than 180 mm, position the appliance further back, and reduce measurement **T** accordingly. The building-in position can be rectified later by adjusting the depth.

- Cut the spacer strip supplied to measurement **T**.
Score along the groove for the **smaller** measurement as shown, and remove the surplus.

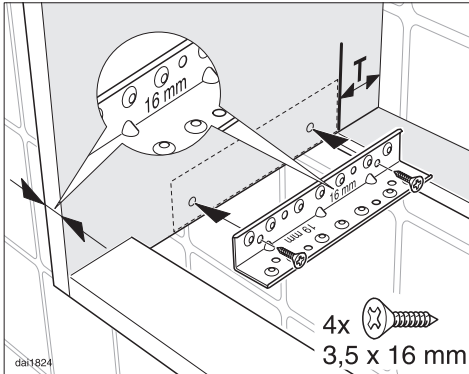


- Screw the spacer strip to the bottom of the sides of the housing, flush with the rear wall.



- Draw a vertical line up both inside walls of the housing from the front of the spacer strip.

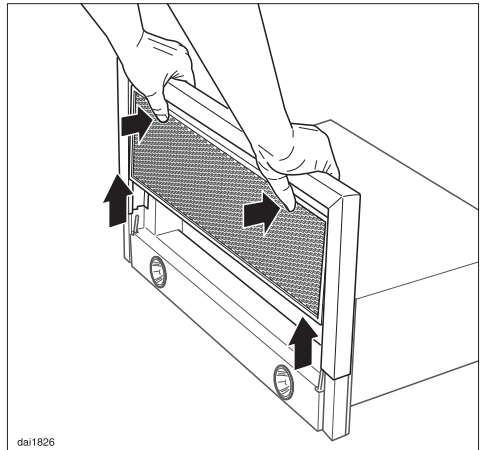
Installation



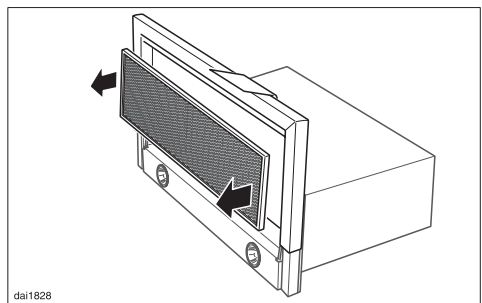
- Screw the brackets onto the right and left inside walls of the housing unit as shown. The back edge of the brackets should align with the vertical line drawn up from the front of the spacer strip, and the lower edge aligned with the lower edge of the housing unit side wall. The brackets are designed for 16 and 19 mm thick carcasse sides. Orientate the bracket so that the vertical depth matches the thickness of the panel, as shown.

- Place the appliance on its back.

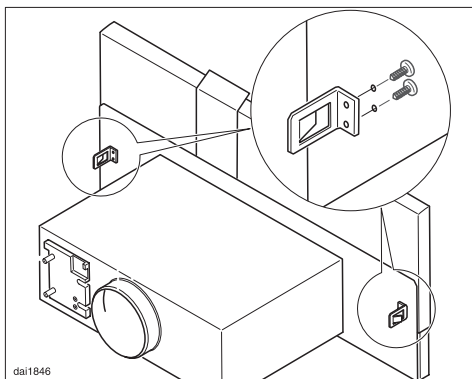
Do not remove the protective film between the deflector plate and the casing until the hood has been placed in the housing unit.



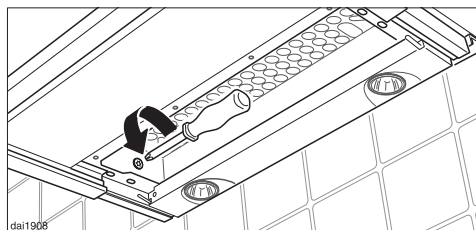
- Hold the grease filter firmly, and pull it out with the deflector plate as shown.



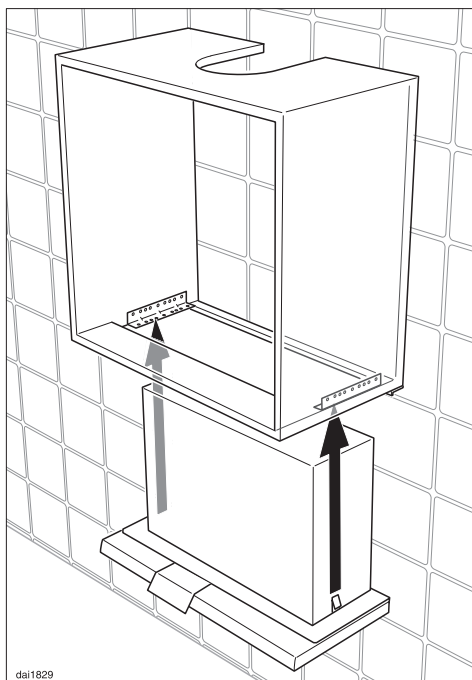
- Remove the grease filter and place to one side.
- Push the deflector plate back in.



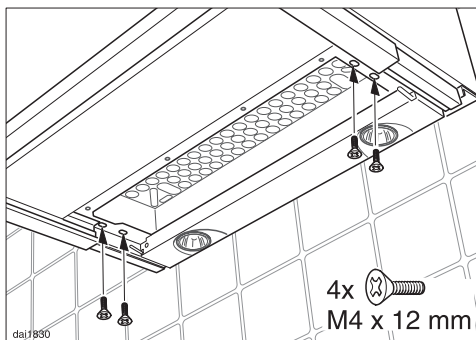
- When fitting a DA 3180 or a DA 3190 into a 60 cm housing unit, unscrew the brackets on the deflector plate whilst it is pulled out.



Note for dismantling the cooker hood: Undoing the screws on the left and right inside the housing releases the brackets, allowing the appliance to be removed from the unit.

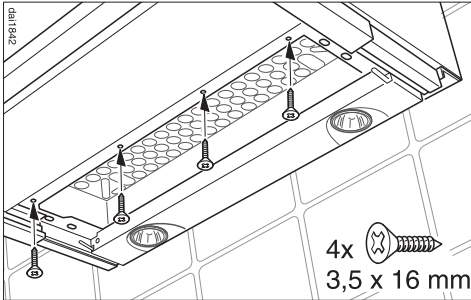


- Lift the appliance up into the housing from below, and engage in the brackets.



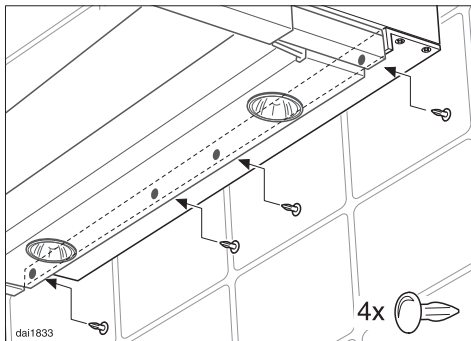
- Push the cooker hood back against the spacer strip.
- Pull out the deflector plate.
- Secure the appliance to the brackets using 2 screws on each side.
- Remove the protective film between the deflector plate and the casing.

Installation

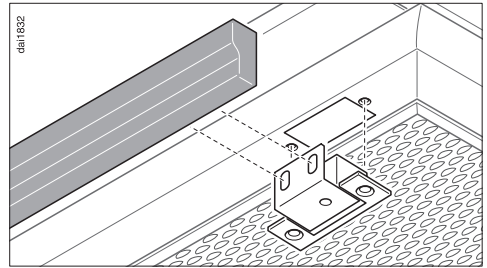


- Secure the front of the appliance to the floor of the housing unit from below using 4 screws (6 screws for 90 cm wide cooker hood).

To avoid damaging the deflector plate when it is pulled out, care should be taken to screw the fixing screws in straight, and to ensure that the screwheads are countersunk.

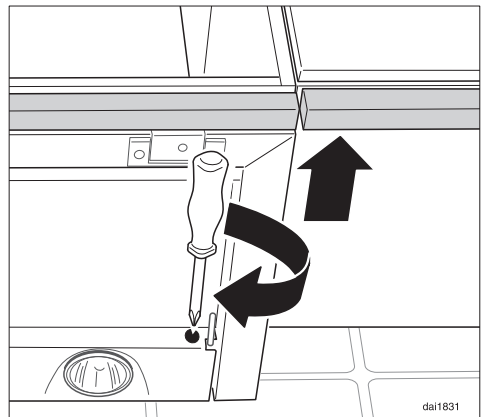


- Secure the spacer strip to the back of the appliance from behind using 4 plastic rivets as shown.

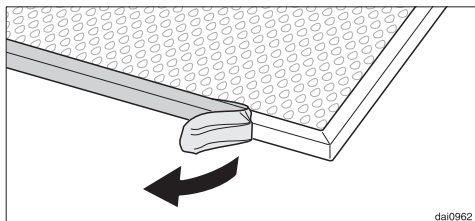


- Attach the lightshield (if using).

A DML 300 installation kit, available as an optional accessory, is required for this. This installation kit is supplied with a DFB lightshield. Follow the installation instructions supplied. The lightshield must not exceed 1300 g in weight.



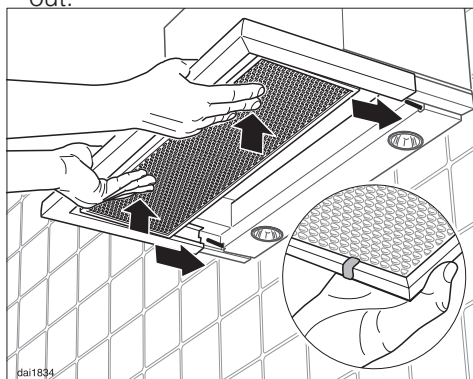
- The position of the deflector plate can be brought forward by up to 50 mm using the adjusting screws on either side of the deflector plate. Align the deflector plate to the front of the kitchen furniture units on either side.



- Remove the protective strip around the edge of the grease filter.

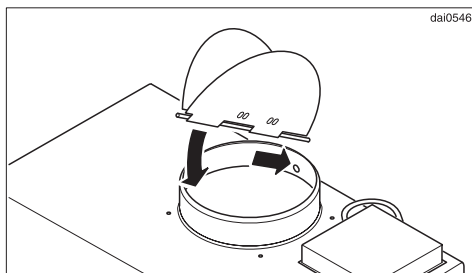
Replace the grease filter.

- To do this, pull the deflector plate out.

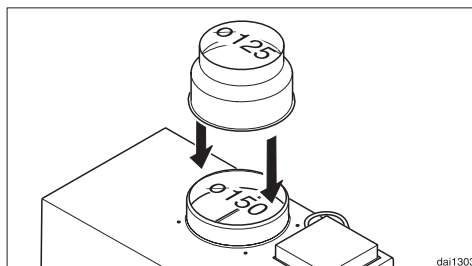


- Turn the grease filter so that the **red plastic guides** are at the front and facing upwards.
- Replace the grease filter in the front of the deflector plate, press it upwards and push it in together with the deflector plate. It will slide onto the fixing pins at the back. Finally, push the grease filter back a little more.

Set up for extraction mode



- If the on-site ventilation system does not have a **non-return flap**, then the non-return flap supplied with the appliance must be fitted in the exhaust socket in the motor unit.

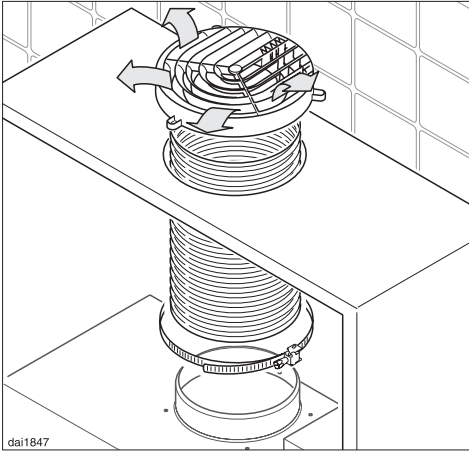


- The appliance is set up for use with Ø 150 mm ducting. If Ø 125 mm ducting is required, the reducing collar supplied must be fitted to the exhaust socket (see section "Connection for air extraction").
- Secure the ventilation ducting over the exhaust socket on the cooker hood using a hose clip.
- See "Connection for air extraction" for further instructions on fitting the ducting.

Installation

Set up for recirculation mode

If site conditions are not suitable for the cooker hood to be used with air extraction, the appliance must be set up for recirculation.



For this, we recommend using the conversion kit available from your Miele dealer or the Miele Spare Parts Dept (see "Technical data").

You will also need a charcoal filter (see "Technical data").

- Attach the ventilation ducting to the underside of exhaust grille.
- Then feed the ducting down into the housing unit through the opening at the top.
- Secure the ducting over the exhaust socket on the cooker hood using a hose clip.

A non-return flap is not used in recirculation mode.

- Screw the exhaust grille to the top of the unit.
When fitting the exhaust grille make sure that the slats in the grille point towards the centre of the room and not directly towards a wall or the ceiling.

- Fit the charcoal filter (see "Cleaning and care").

Electrical connection

Refer to the notes in "Electrical connection" and "Warning and Safety instructions" before connecting to the electricity supply.

- For appliances connected to an external motor (EXT models):
Connect the cooker hood to the external motor using the connecting cable and the 6-pole plug connector.
- Separate fitting instructions are supplied with the external motor.

Connection for air extraction

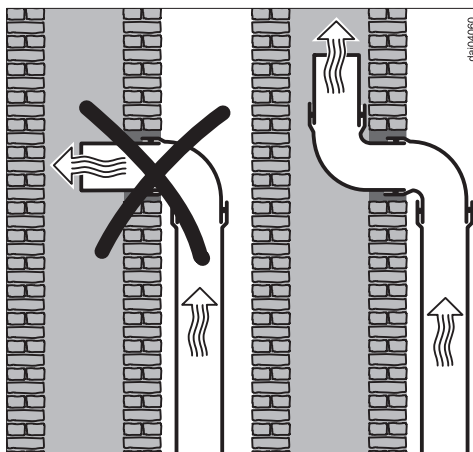
Important: To avoid the danger of toxic fumes please observe the Warning and Safety instructions. This is especially crucial when using the cooker hood at the same time as another heating appliance which relies on air from the same room. The cooker hood should be installed according to local and national building regulations. Seek approval from the building inspector where necessary.

- All ducting, pipework and fittings must be of non-flammable materials.
- The exhaust ducting should be as short and straight as possible.
- To ensure efficient air extraction, the diameter of the exhaust ducting should not be less than 150 mm.

If exhaust ducting with a diameter of less than 150 mm, or if flat ducting is used, the noise level of the cooker hood will increase and extraction will be less efficient.

- Only reduce the diameter of the ducting if absolutely necessary, e.g. where narrower ducting has already been installed.
- Only use wide radius bends. Tight bends reduce the air throughput of the cooker hood.
- Only use smooth pipes or flexible hoses made from non-flammable materials for extraction connection.

If the exhaust ducting is secured to the exhaust stub by a hose clip, ensure that it is fitted correctly. Do not overtighten. Otherwise the exhaust stub could buckle and the non-return flap could become jammed.



- Where ducting is horizontal, it must be laid to slope away at at least 1 cm per metre. This is to ensure that condensate cannot drain back into the cooker hood.
- If the exhaust air is to be ducted into the open air, the installation of a telescopic wall vent is recommended.
- If the exhaust air is to be ducted into a vent flue, the ducting must be directed in the flow direction of the flue.

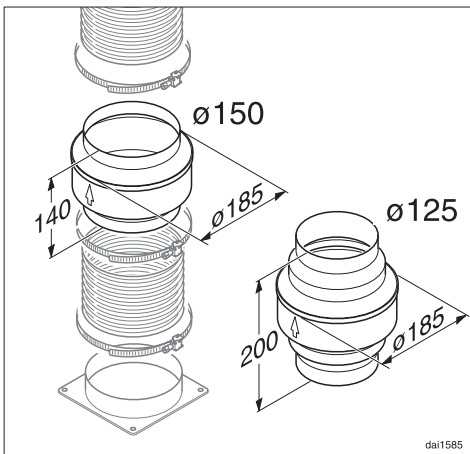
Connection for air extraction

Important:

If the exhaust ducting is to run through rooms, ceiling space etc. where there may be great variations in temperature between the different areas, the problem of condensation will need to be addressed. The exhaust ducting will need to be suitably insulated.

Condensate trap

(optional accessory)



In addition to insulating the exhaust ducting, we recommend that a suitable condensate trap is installed to collect and evaporate any condensate which may occur. Condensate traps are available for \varnothing 125 mm or \varnothing 150 mm ducting.

When installing a condensate trap, ensure that it is positioned vertically and if possible directly above the exhaust connection. The arrow on the housing indicates the direction of air-flow.

Silencer

To achieve even further reductions in noise levels, a special silencer can be fitted in the ducting system.

It can be sited at any suitable position in the ducting system between the cooker hood and the external motor on EXT model cooker hoods.

On extraction models, it can be fitted nearest the ducting outlet to the outside to reduce neighbourhood noise.

On recirculation models, it can be fitted in between the fan and the deflector.

All electrical work should be undertaken by a suitably qualified and competent person in strict accordance with current national and local safety regulations (BS 7671 in the UK).

Installation, repairs and other work by unqualified persons could be dangerous, for which the manufacturer cannot be held liable.

Ensure power is not supplied to the appliance until after installation or repair work has been carried out.

Do not connect the appliance to the mains electricity supply by an extension lead. These do not guarantee the required safety of the appliance.

The connection data is given on the data plate. This is visible when the grease filters have been removed. Ensure that this data matches the household mains supply.

Connection of this appliance should be made via a suitable isolator or a double pole fused spur connection unit which complies with national and local safety regulations and the On-Off switch should be easily accessible after the appliance has been built in. When switched off there must be an all-pole contact gap of 3 mm in the switch (including switch, fuses and relays according to EN 60335).

If the switch is not accessible after installation (depending on country), an additional means of disconnection must be provided for all poles.

For extra safety it is advisable to install a residual current device (RCD) with a trip current of 30 mA.

Important

This appliance is supplied for connection to an a.c. 230 V single phase 50 Hz supply.

The wires in the mains lead are coloured in accordance with the following code:

Green/yellow	= earth
Blue	= neutral
Brown	= live

**WARNING:
THIS APPLIANCE MUST BE
EARTHED**

Operation with DSM 400 control module

The Miele DSM 400 control module can be used to combine the cooker hood with other components.

It enables the following:

Connection to a window contact switch

If adequate ventilation to the room can only be ensured by having a window open when the cooker hood is in use at the same time as a heating appliance which depends on the air from the same room, then the control module can be used to connect a window contact switch (not supplied) to the appliance.

Once connected, the cooker hood can only be operated when the window is sufficiently open (see also "Warning and Safety instructions").

When the window is closed, the cooker hood fan cannot be switched on. The indicator lamp for the On/Off touch control on the cooker hood will flash.

The cooker hood lighting is not affected by this.

EXT models can also be connected to a window contact switch.

Take care when ventilating the room through an open window that ventilation is not impaired by a closed blind or curtain.

The window contact switch must be tested for safety after it has been connected.

If the control module is disconnected in order to operate the cooker hood without the window contact switch (e.g. after moving house), the cooker hood electronics must be reset by a Miele service technician.

Potential free connection

This enables a further appliance to be controlled by the switch setting on the cooker hood fan.

- For instance it can be used to ensure a sufficient supply of fresh air when the cooker hood and a heating appliance which also depends on the air in the room are being used together, by switching on an air intake fan, or opening a motorised inlet flap as soon as the cooker hood fan is switched on.
It is important to ensure that the fan power is sufficient and that the air intake has a suitable cross-sectional diameter.
- If a sufficient air intake cannot be guaranteed, then the potential free contact will enable a heating appliance, which depends on air in the same room as a cooker hood, to be switched off when the cooker hood is in operation.

See also "Warning and Safety" instructions.

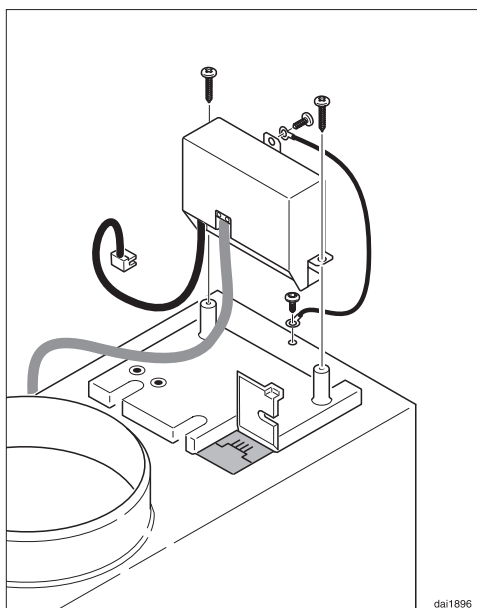
All appliances must be tested for safety after they have been connected.

Operation with DSM 400 control module

Connection to a light switch

The control module can be used to switch on the cooker hood lighting via a light switch in the house.

Installation



The control module must be installed above the cooker hood housing.

The control module is supplied with its own detailed operating and installation instructions.

After Sales Service

In the event of a fault which you cannot correct yourself, or if the appliance is under guarantee, please contact:

– Your Miele Dealer

or

– The Miele Customer Contact Centre
(see back cover for address).

When contacting your Dealer or the Contact Centre, please quote the model and serial number of your appliance. These are shown on the data plate which is visible when the grease filter is removed.

Please note that telephone calls may be monitored and recorded for training purposes.

Connected load*	280 W
Fan motor*	180 W
Hob lighting	2 x 50 W
Voltage	AC 230 V
Frequency	50 Hz
Fuse rating (UK)	13 A
Electrical cable length	1.5 m
Weight	
DA 3160	12 kg
DA 3160 EXT	10 kg
DA 3190	14 kg
DA 3190 EXT	12 kg

* For EXT models the connected load and extraction power will depend on the type of external motor fitted.

EXT models:

Length of connection cable to external motor. 1.9 m

Fan performance*

Extraction power according to EN 61591

Extraction system \varnothing 150 mm:

Level I	150 m ³ /h
Level II	275 m ³ /h
Level III	400 m ³ /h
Intensive Setting	550 m ³ /h
Unrestricted.	600 m ³ /h

Recirculation with charcoal filter:

Level I	80 m ³ /h
Level II	180 m ³ /h
Level III	280 m ³ /h
Intensive Setting	350 m ³ /h

Optional accessories for recirculation mode:

- Conversion Kit DUU 150
- Miele charcoal filter DKF 13-1

**United Kingdom:**

Miele Co. Ltd.
Fairacres, Marcham Road
Abingdon, Oxon, OX14 1TW
Tel.: (01235) 554455
Fax.: (01235) 554477
Customer Contact Centre Tel.: (08707) 554466
E-mail: info@miele.co.uk
Internet: www.miele.co.uk

Ireland:

Miele Ireland Ltd.
Broomhill Road, Tallaght, Dublin 24
Tel: (01) 46 10 710, Fax: (01) 46 10 797
Email: info@miele.ie
Internet: http://www.miele.ie

Australia:

Miele Australia Pty. Ltd.
A.C.N. 005635398
1 Gilbert Park Drive, Knoxfield, VIC 3180
Telephone: (03) 9764 7130
Fax: (03) 9764 7149
Internet: www.miele.com.au

Distributor New Zealand:

Steelfort Engineering Company. Ltd.
500 Rangitikei Street, Palmerston North
Telephone: (06) 350 1350
Fax: (06) 356 1507

South Africa:

Miele (Pty) Ltd
63 Peter Place, Bryanston 2194
P.O. Box 69434, Bryanston 2021
Tel.: (011) 548 1900
Telefax (011) 548 1935
E-mail: info@miele.co.za
Internet: www.miele.co.za

Singapore:

Miele Southeast Asia
Miele Pte. Ltd.
163 Penang Road
04 - 02/03 Winsland House II
Singapore 238463
Tel : +65-67351191
Fax: +65-67351161
Email: infosea@miele.com.sg
Internet: www.miele.sg

Hong Kong:

Miele (Hong Kong) Limited
AIA Plaza, 24th Floor
18 Hysan Avenue
Causeway Bay
Hong Kong
Tel.: (852) 2610 1331
Fax: (852) 2610 1013
E-mail: mielehk@miele.com.hk

Miele Shanghai Rep. Office

Room 4105 - 6, 41st Floor
Plaza 66, 1266 Nan-Jing Road/ West
Shanghai 200040
China
Tel.: +86 21 6288 4200
Fax: +86 21 6288 4100
E-mail: mieleshanghai@cn.miele.com



Free Manuals Download Website

<http://myh66.com>

<http://usermanuals.us>

<http://www.somanuals.com>

<http://www.4manuals.cc>

<http://www.manual-lib.com>

<http://www.404manual.com>

<http://www.luxmanual.com>

<http://aubethermostatmanual.com>

Golf course search by state

<http://golfingnear.com>

Email search by domain

<http://emailbydomain.com>

Auto manuals search

<http://auto.somanuals.com>

TV manuals search

<http://tv.somanuals.com>