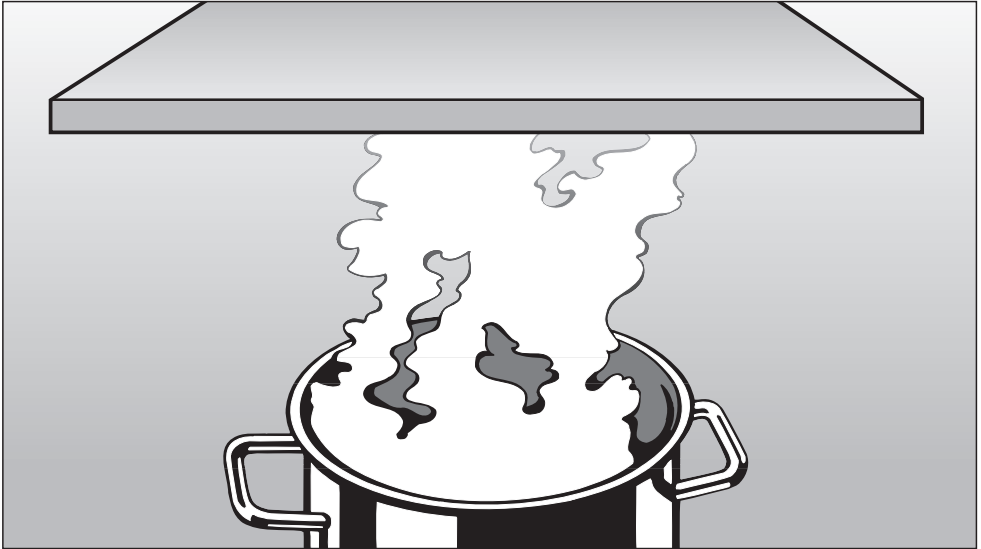


Miele

Operating Instructions



for the DA 337 i Ventilation System

To prevent accidents
and machine damage,
read these Operating Instructions
before installation or use.



M.-Nr. 05 473 690

Contents

Caring for the environment	3
Warning and Safety Instructions	4
Guide to the appliance	8
Description of the functions	10
Operation	11
Cleaning and care	
Housing	16
Grease filters	16
Inserting / replacing the active charcoal filter	19
Changing the light bulb	20
After Sales Service	21
Appliance dimensions	22
Installation	
Installation accessories	26
1. Non-return flap	28
2. Reducing collar	29
3. Runners	29
4. Hang the cabinet door	30
5. Position the appliance in the cabinet	30
6. Align the height of the appliance	31
7. Align the depth of the appliance	32
8 a. Fit side spacers at the sides of the appliance	32
8 b. Spacer strip for the rear of the appliance	33
9 a. Set up for vented extraction	33
9 b. Set up for recirculation mode connection	34
10. Electrical connection	34
Special installation instructions	
Installation in to a cabinet with 19 mm thick walls	35
Installing in a 27 ⁹ / ₁₆ " (70 cm) wide cabinet:	35
Air extraction	37
Electrical connection	39
Technical data	40

Disposal of packing material

The transport and protective packing are environmentally friendly for disposal and can normally be recycled.

Please recycle.

Disposal of an old appliance

Old appliances contain materials that can be recycled. Please contact your local recycling center about the possibility of recycling these materials.

Make sure that the appliance presents no danger to children while waiting for disposal by removing the power cord and any doors.

See the appropriate section in the Warning and Safety instructions.

Warning and Safety Instructions

Read these Operating Instructions carefully before installing or using the Ventilation System.

This appliance is intended for residential use only. Use the appliance only for its intended purpose. The manufacturer cannot be held responsible for damages caused by improper use of the hood.

Read all the instructions before installing or using for the first time.

SAVE THESE INSTRUCTIONS AND REVIEW THEM PERIODICALLY

CAUTION

For General Ventilating Use Only.
Do Not Use To Exhaust Hazardous Or Explosive Materials And Vapors.

■ This appliance is designed to vent cooking smoke \ odors only.

■ Be certain your appliance is properly installed and grounded by a qualified technician.

■ To guarantee the electrical safety of this appliance, continuity must exist between the appliance and an effective grounding system. It is imperative that this basic safety requirement be met. If there is any doubt, have the electrical system of the house checked by a qualified electrician. The manufacturer cannot be held responsible for damages caused by the lack, or inadequacy of, an effective grounding system.

■ Do not connect the appliance to the main electrical supply using an extension cord. Extension cords do not meet the safety requirements of this appliance.

■ Do not turn on the hood until it has been properly installed.

■ Repairs on electric appliances should only be performed by qualified technician. Do not repair or replace any part of the appliance unless specifically recommended in this manual.

■ Before servicing, disconnect the power supply by either removing the fuse or unplugging the unit or manually "tripping" the circuit breaker.

■ When installing the hood, make sure that the minimum safety distances between cooktops and the hood are maintained.

- For electric cooktops: 18" (45 cm)
- For gas cooktops: 26" (65 cm)
- For a Miele open grill: 26" (65 cm)

■ Do not install this exhaust hood over cooktops burning solid fuel.

Warning and Safety Instructions

WARNING

To reduce the risk of fire, use only metal ductwork.

Any fittings, sealant, or materials used to install the ductwork must be made of approved non-flammable materials.

■ Never connect an exhaust hood to an active chimney, dryer vent, vent flue, or room ventilating ductwork. Seek professional advice before connecting an exhaust hood vent to an existing, inactive chimney or vent flue.

■ Never operate gas burners without pots. Heat generated by prolonged operation of gas burners without pots could damage the hood.

■ Do not flambé beneath the exhaust hood. Flames could be drawn up into the hood by the suction or the grease filters may ignite.

■ Do not allow children to play with the hood or its controls.

■ Do not leave cooking surfaces unattended while in use. Overheated food can ignite.

■ Do not use the exhaust hood without the grease filters in place.

■ Clean the grease filters regularly. Dirty filters are a fire hazard.

■ Do not use a steam cleaner to clean the hood. The steam could penetrate to electrical components and cause a short circuit.

WARNING

TO REDUCE THE RISK OF A RANGE TOP GREASE FIRE:

■ Keep the fan, filters and grease laden surfaces clean.

■ Always turn hood "ON" when cooking at high heat.

■ Use high range settings on range only when necessary. Heat oil slowly on low to medium setting.

■ Don't leave range unattended when cooking.

■ Always use cookware and utensils appropriate for the type and amount of food being prepared.

Warning and Safety Instructions

WARNING

TO REDUCE THE RISK OF INJURY TO PERSONS IN THE EVENT OF A RANGE TOP GREASE FIRE, OBSERVE THE FOLLOWING:

■ **Smother flames** with a close fitting lid, cookie sheet, or metal tray, then turn off the burner.

Be careful to prevent burns.

If the flames do not go out immediately, **evacuate and call the fire department.**

■ **Never pick up a flaming pan** - You may be burned.

■ **Do not use water**, including wet dishcloths or towels - a violent steam explosion will occur.

■ **Use an extinguisher only if:**

- You know you have a Class ABC extinguisher, and you already know how to operate it.
- The fire is small and contained in the area where it started.
- The fire department is being called.
- You can fight the fire with your back to an exit.

WARNING

TO REDUCE THE RISK OF FIRE, ELECTRIC SHOCK, OR INJURY TO PERSONS, OBSERVE THE FOLLOWING:

■ Use this unit only in the manner intended by the manufacturer. If you have questions, contact the manufacturer.

■ Before servicing or cleaning the unit, turn power off at circuit breaker and lock the service disconnecting means to prevent power from being turned on accidentally. When the service disconnecting means cannot be locked, securely fasten a prominent warning device, such as a tag, to the service panel.

■ Installation and electrical work must be performed by qualified technicians in accordance with all applicable codes and standards.

■ Make sure that the airflow in the room is sufficient for combustion and exhausting of all non-electric heating appliances (water heaters, gas cooktops, gas ovens, etc.), otherwise back drafts may occur. Follow the heating manufacturer's guidelines and safety standards or those published by the National Fire Protection Association (NFPA), or the American Society for Heating, Refrigeration and Air Conditioning Engineers (ASHRAE). If in doubt, consult an experienced professional.

■ Be careful not to damage hidden electrical wiring or plumbing when cutting or drilling into the wall or ceiling.

■ Ducted fans must always be vented outdoors.

Warning and Safety Instructions

When connecting the hood to an external vent, make sure that there is adequate ventilation in the room where the exhaust hood is to be used.

When using the hood in the same area as other appliances requiring room air (e.g. non-electric water heaters, gas cooktops, gas ovens, etc.) make certain that the air extracted by the hood does not hinder their operation. These appliances need air for combustion.

Adequate ventilation can be maintained by installing air vents in windows or walls or by ensuring that the hood can only be turned on when the other appliances are off, or vice versa.

To prevent combustion gases being drawn back into the room by the exhaust hood, the underpressure in the room must be no greater than 0.0006 psi (0.04 mbar) when the hood and these appliances are running simultaneously.

If there are any doubts as to whether there is adequate ventilation, consult an experienced professional.

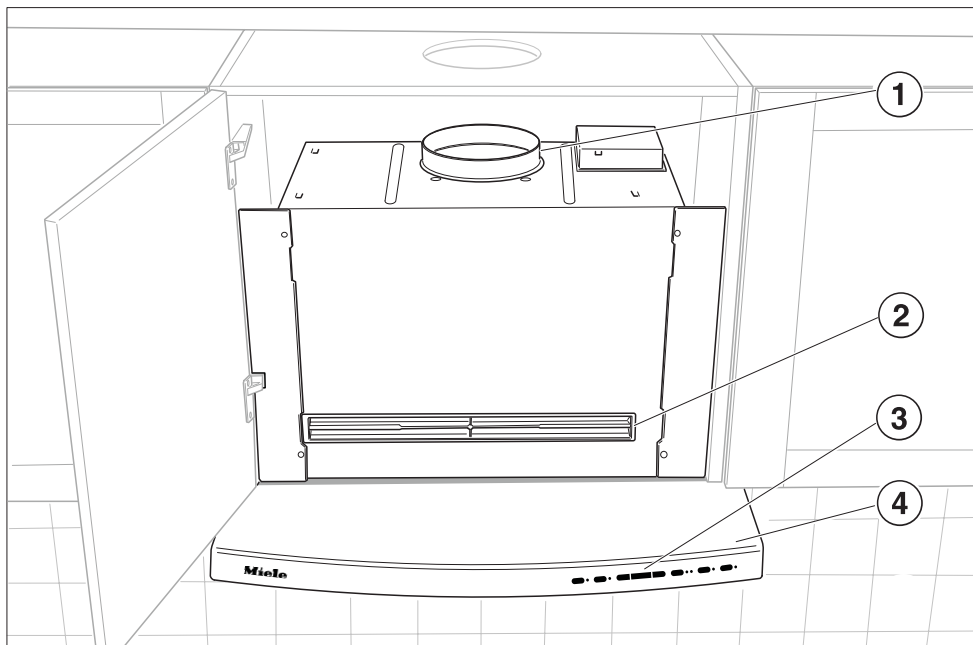
Disposal of old appliances

Before discarding an old appliance, remove its power cord and any doors to prevent it from becoming a hazard.

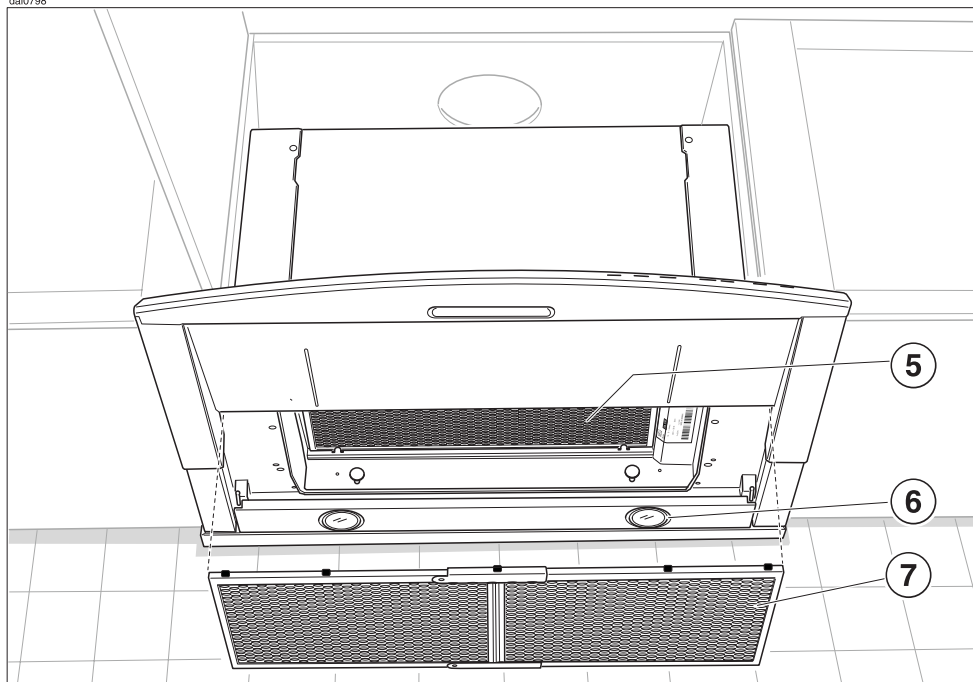
SAVE THESE INSTRUCTIONS AND REVIEW THEM PERIODICALLY

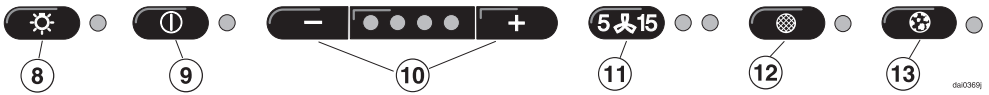
Throughout the manual, important safety items will be highlighted in boxes and should be read in conjunction with these "Warning and Safety instructions".

Guide to the appliance



dai0798





① Vent connection

② Active charcoal filter slot

③ Control panel

④ Pull-out deflector plate

⑤ Internal grease filter

⑥ Over head cooktop light

⑦ External grease filter

⑧ Light button

⑨ On/Off button

⑩ – / + Power level buttons (Four fan speed selection)

⑪ Delayed Shut Down button

This control activates the Delayed Shut Down feature. The fan turns off automatically after either 5 or 15 minutes.

⑫ Grease filter button

The indicator next to the grease filter button lights up when the grease filter needs to be cleaned.

Use this button to:

- display how long the grease filter has been in use (see "Operation/ Filter timer").
- change or reset the number of hours registered by the timer (see "Operation/ Reprogramming the timer").

⑬ Active charcoal filter button

The indicator next to the active charcoal filter button lights when the active charcoal filter used in recirculation mode needs to be replaced.

Use this button to:

- display how long the Active Charcoal Filter has been in use (see "Operation/ Filter timer").
- change or reset the number of hours registered by the timer (see "Operation/ Reprogramming the timer").

Description of the functions

The hood works

. . . by air extraction:

The air is drawn in, cleaned by an external filter and then passed through an internal filter before being directed outside.

The hood has a **non-return flap**, (see "Installation").

This flap is closed when the hood is off. No exchange of room air and outside air can take place. When the hood is turned on the non-return flap opens for the cooking odors to be blown outside.

. . . by air recirculation:

The air is drawn in and cleaned first by the external filter, then by the internal filter before passing through an active charcoal filter. The cleaned air is then recirculated back into the kitchen through a vent in the top of the hood.

Before using the hood for the first time in recirculation mode, make sure that the active charcoal filter is in place. See Section on "Cleaning and care".

Turning on the exhaust fan

- Pull the deflector plate out about 2" (5 cm).
The hood will then begin to operate at power level "II".

Selecting the power level

Depending on how much the air needs to be filtered, there are four power levels available. For normal cooking a low to medium level is usually sufficient. For frying or cooking food with a strong aroma the highest level is recommended.



Lower level

Higher level

- Use the -/+ buttons to select a fan power level.

The indicators show which power level has been chosen.

Delayed Shut Down feature

If the air still needs to be vented after cooking, the hood can be set to continue running.

The fan motor will then turn off automatically after 5 or 15 minutes.



- During operation, press the Delayed Shut Down button.

once = for an additional 5 minutes of venting
(the left indicator will light)

twice = for an additional 15 minutes of venting
(the right indicator will light).

The Delayed Shut Down can be cancelled at any time by pressing the button a third time.

Operation

Turning off the exhaust fan



- Use the On/Off button to turn the fan off

or

- Push the deflector plate back in.

The next time the deflector plate is pulled out the hood will operate at power level "II".

Turning the lights on or off

The overhead lighting for the cooktop can be turned on or off independently of the fan.

- Pull the deflector plate out approximately 1" (3 cm).



- Press the light button.
- When the light is turned on the indicator next to the light button glows.

To turn it off

- Press the light button again

or

- Push the deflector plate back in.

The next time the deflector plate is pulled out the light will come back on.

Safety shut off feature

If the hood is left running for 10 hours without any buttons being pressed, it will automatically shut off. The overhead lighting will remain lit even though the fan has been shut off.

To turn the fan back on press the On/Off button.

Grease filter timer

The timer for the grease filters is preset for 30 hours of use.



After 30 hours the grease filter indicator will light.

The grease filters must be cleaned at this time, and reset as follows:

- Hold the grease filter button for 4 seconds.

The indicator light will go out.

Active Charcoal Filter timer



The filter timer for the Active Charcoal Filter can be programmed to suit your cooking style.

After the programmed time has elapsed, the Active Charcoal Filter indicator will light. The Active Charcoal Filter must be replaced at this time, and reset as follows:

- Press the Active Charcoal Filter button for 4 seconds.

The indicator light will go out.

Reading the filter timer

To check the percentage of the time set already used:

- Pull the deflector plate out about 2" (5 cm). The fan turns on.



- Press the grease filter / active charcoal filter button.



One or several of the indicators between the -/+ touch controls will flash.

The number of flashing lights indicates the percentage of operating time already used.

- 1 indicator = 25%
- 2 indicators = 50%
- 3 indicators = 75%
- 4 indicators = 100%

The number of operating hours used remains in memory, even when the appliance is turned off or there is a power failure.

Operation

Changing the filter timer

You can set the filter timer to suit the type of cooking you do.

- Select a short time if you grill or fry frequently.
- Select a longer time if you do not grill or fry often.
- if you only cook occasionally, program a shorter time so the filters will be cleaned more often. Otherwise accumulated grease will harden on the filters and make cleaning difficult.

Changing the hours preset in the grease filter timer

The filter timer for the grease filters is set to 30 hours. This time can be lengthened or shortened. You can choose from 20, 30, 40 or 50 hours.

- Use the On/Off button to turn the fan off.
- or
- Push the deflector plate in.



- Press the Delayed Shut Down button and the grease filter button at the same time.

The indicator for the grease filter button and one of the indicators between the – /+ buttons will flash.



The indicators between the – /+ buttons show the time which has been set:

- 1st indicator from left = 20 hours
- 2nd indicator from left = 30 hours
- 3rd indicator from left = 40 hours
- 4th indicator from left = 50 hours

- Use the – /+ buttons to select the desired time.



- Confirm the programming by pressing the grease filter button.

If the programming is not confirmed within 4 minutes the hood will automatically revert to the "old" data.

Active charcoal filter

The active charcoal filter is needed for recirculation mode. It is not used for vented extraction.

The hood is preset for vented extraction, the filter hour counter for the active charcoal filter is set to "unlimited".

For recirculation mode the filter timer needs to be set to the required time:

- Use the On/Off button to turn the fan off.

or

- Push the deflector plate in.



- Press the Delayed Shut Down button and the active charcoal filter button simultaneously.

The indicator for the active charcoal filter button and one of the indicators between the -/+ buttons will flash.



The indicators between the -/+ buttons show the time which has been set:

- 1st indicator from left = 120 hours
- 2nd indicator from left = 180 hours
- 3rd indicator from left = 240 hours
- 4th indicator from left = unlimited

- Use the -/+ buttons to select the desired time.



- Confirm the programming by pressing the active charcoal filter button.

If the programming is not confirmed within 4 minutes the hood will automatically revert to the "old" data.

Cleaning and care

Before servicing or cleaning the hood, disconnect it from the power supply by either removing the fuse, unplugging it, or manually "tripping" the circuit breaker.

Ensure current is not supplied to the appliance while maintenance or repair work is performed.

Housing

Lacquered surfaces can be cleaned using a solution of hot water and liquid dish soap and dried with a soft cloth.

For stainless steel surfaces a mild non-abrasive stainless steel cleaner can be used.

Never use abrasive cleaners, scouring pads, steel wool or caustic (oven) cleaners on the hood. They will damage the surface.

Grease filters

The re-usable metal filters catch any grease, dust or other solid particles that are pulled into it by the fan.

The hood has an external filter which is visible on the underside of the appliance. An internal filter is situated above it in the appliance.



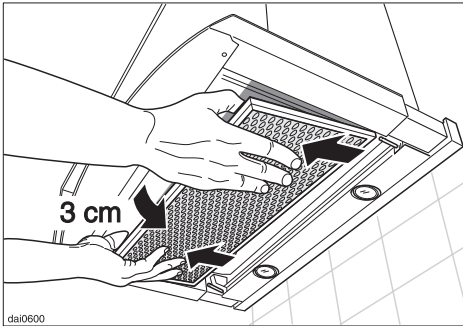
The filters should be cleaned when the grease filter indicator illuminates.

To prevent grease build up, both filters should be cleaned every 3 to 4 weeks, regardless of use.

Important! Always clean both filters. A dirty filter is a fire hazard.

External filter

- To remove the external filter pull the deflector plate out slightly.
- Turn the fan off.

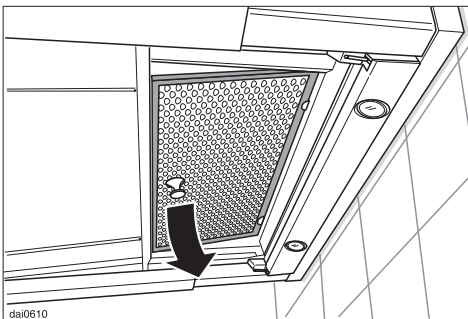


- Holding the external filter at the front tilt it approximately 1" (3 cm) downwards and then pull it towards you to remove it.

Internal filter

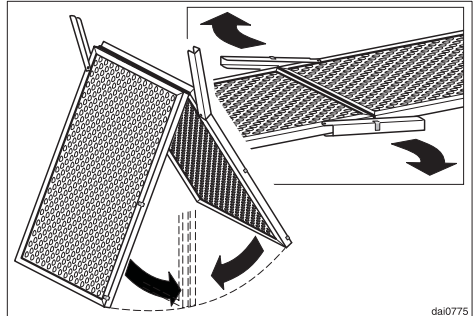
- Pull the deflector plate out to its full extension.

The internal filter will now be visible.



- Holding it by the handle pull it downwards to remove it.

- Clean the filters –
 - **by hand:** with a nylon brush in a mild solution of warm water and dish soap.
 - **in a dishwasher:** place the filters with the short side upright in the lower basket, checking that the spray arm is not blocked.



The external grease filter can be folded and cleaned in the dishwasher by twisting the latches as shown.

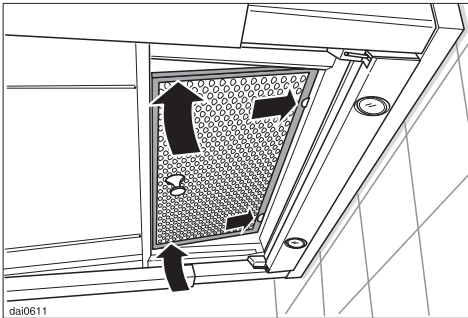
Depending on the detergent used, cleaning the grease filters in a dishwasher may cause permanent discoloration of the filter surface. However, performance of the filter will not be affected.

- After cleaning, leave the filters to dry on a towel before putting them back in place.
- While the filters are removed, clean any dirt or grease from the filter casing to prevent fires.

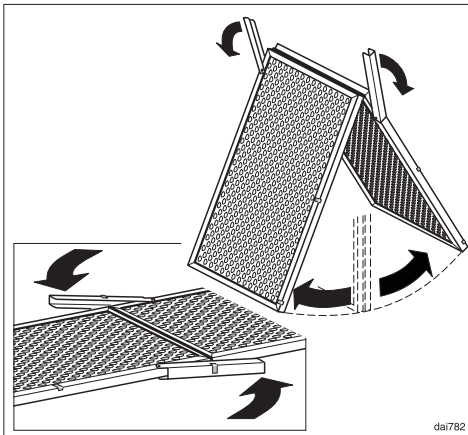
Cleaning and care

Return the filters

Internal filter:

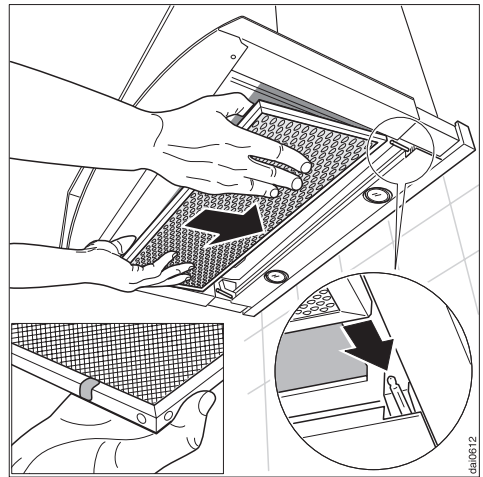


- Insert the filter into the hood so that it hooks into position at the back, then push it upwards at the front and make sure it engages in position on the left and right hand sides.



- Twist the grease filter catch as shown.
- Unfold the grease filter and lock the catch.

External filter:

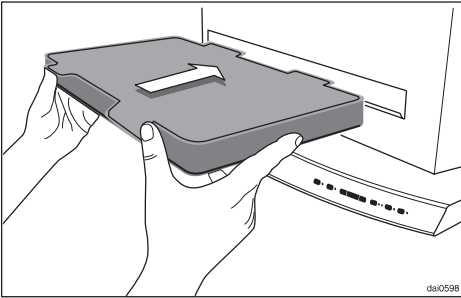


- Open the filter out.
- Make sure that the **red plastic guides** are at the front and facing upwards.
- Fit it over the locating pins at the rear and push it in until a resistance is felt.



- Once the grease filters have been returned, press the grease filter button for approximately 4 seconds to re-set the filter timer.

Inserting / replacing the active charcoal filter



For recirculation mode an active charcoal filter must be used in addition to the grease filters. It is designed to absorb cooking odors. The active charcoal filter is inserted into a slot on the front of the appliance housing.

Replacement active charcoal filters can be ordered from the Miele Technical Service Department at 1-800-999-1360. Please quote part number 28 9961 34

Follow the instructions supplied with the active charcoal filter when inserting it.

When inserting the active charcoal filter for the first time:

- Set the filter hour counter according to your cooking needs, (see "Operation - Changing the filter timer").
- Replace the filter immediately when the active charcoal filter indicator lights, or if it is no longer effective in absorbing kitchen odors. It should, however, be replaced at least every 6 months.



- After inserting the new filter, press the active charcoal filter button for approximately 4 seconds to re-set the filter timer.

Cleaning and care

Changing the light bulb

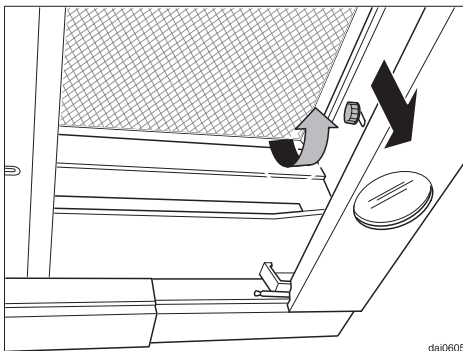
Before changing the light bulbs, disconnect the hood from the power supply by either removing the fuse, unplugging it, or manually "tripping" the circuit breaker.

Make sure that power is not restored to the appliance while maintenance or repair work is performed.

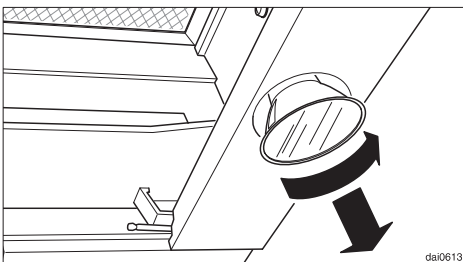
When in use the halogen bulbs become extremely hot and can cause burns. Do not attempt to change bulbs until they have had enough time to cool.

Do not touch the surface of a halogen bulb, fingerprints or body oils deposited on the bulb will decrease the life of the bulb. Please follow the manufacturer's instructions.

- Remove the external filter, (see "Cleaning and Care").



- Loosen the halogen lamp fixing screw and push it downwards.
- Tighten the fixing screw up.



- Turn the halogen bulb half way to the left and pull it downwards to remove it.

It is advisable to use the following specification halogen bulb in this appliance:
OSRAM Halopar 16 Cool Beam,
120 V, 50 W, GZ 10, Typ-Nr. 64827.

- Insert the new halogen bulb by reversing the above procedure.

In the event of a problem which you can not fix yourself, please contact:

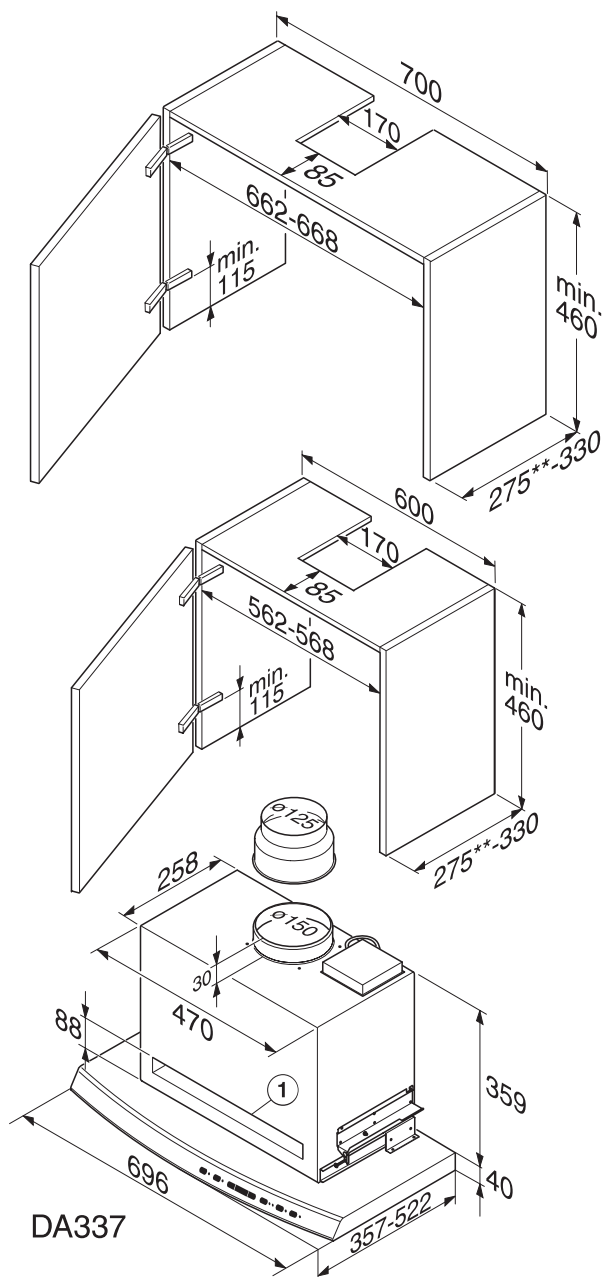
– Your Miele dealer

or

– The Miele Technical Service Department,
(see address on back cover).

When contacting the Technical Service Department, please quote the model and serial number of your appliance, both of which are shown on the data plate, visible when the grease filters are removed.

Appliance dimensions



dai0593

Safety regulations prohibit the installation of this hood over a solid fuel stove.

The minimum safety distance between the top of the cooktop and the bottom of the hood should be at least:

- 18" (450 mm) above electric cooktop
- 26" (650 mm) above gas cooktops
- 26" (650 mm) above a Miele open grill

A distance of 26" (650 mm) is recommended for all installations to allow more work space under the hood.

For other manufacturer's appliances maintain the safety distance as recommended in their Installation and Operating instructions.

If there is more than one appliance beneath the hood and they have different minimum safety distances, select the greatest minimum safety distance.

** back panel of upper cabinet may have to be removed to reach these depths (see warning box on next page).

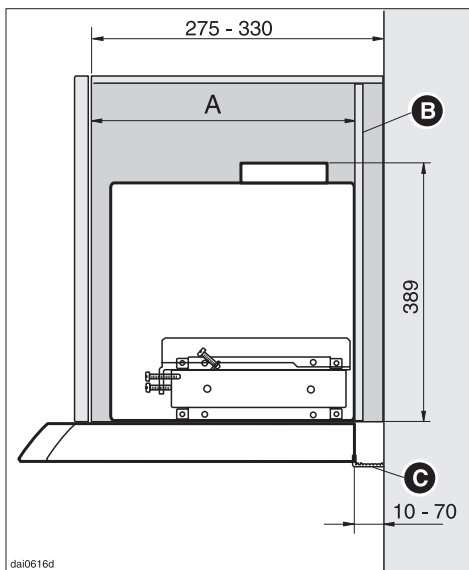
The minimum cabinet height required is 460 mm, to ensure that the exhaust ducting can be fitted to the vent connection without difficulty.

- The appliance is suitable for installation in either a 23 5/8" or 27 9/16" (60 cm or a 70 cm) wide cabinet.
- If fitted in a 23 5/8" (60 cm) wide cabinet the lower edge of adjacent cabinets must not exceed the depth of the appliance housing unit. Please make sure that there is enough clearance under these cabinets before installing the hood.
- The slot for the active charcoal filter ① must remain accessible if the appliance is used in recirculation mode.

See "Warning and Safety instructions" for further notes on safe installation.

Appliance dimensions

Cabinet back panel



A minimum building in depth "A" of 275 mm is required to the back panel **B** or back wall.

More building in space can be created in the cabinet by removing its back panel.

The plastic trim **C** is designed to conceal gaps of 10 to 70 mm between the rear of the appliance and the wall.

If the cabinet does not have a back panel and there is no cabinetry to the side of it then a traverse must be used to provide the unit with extra stability.

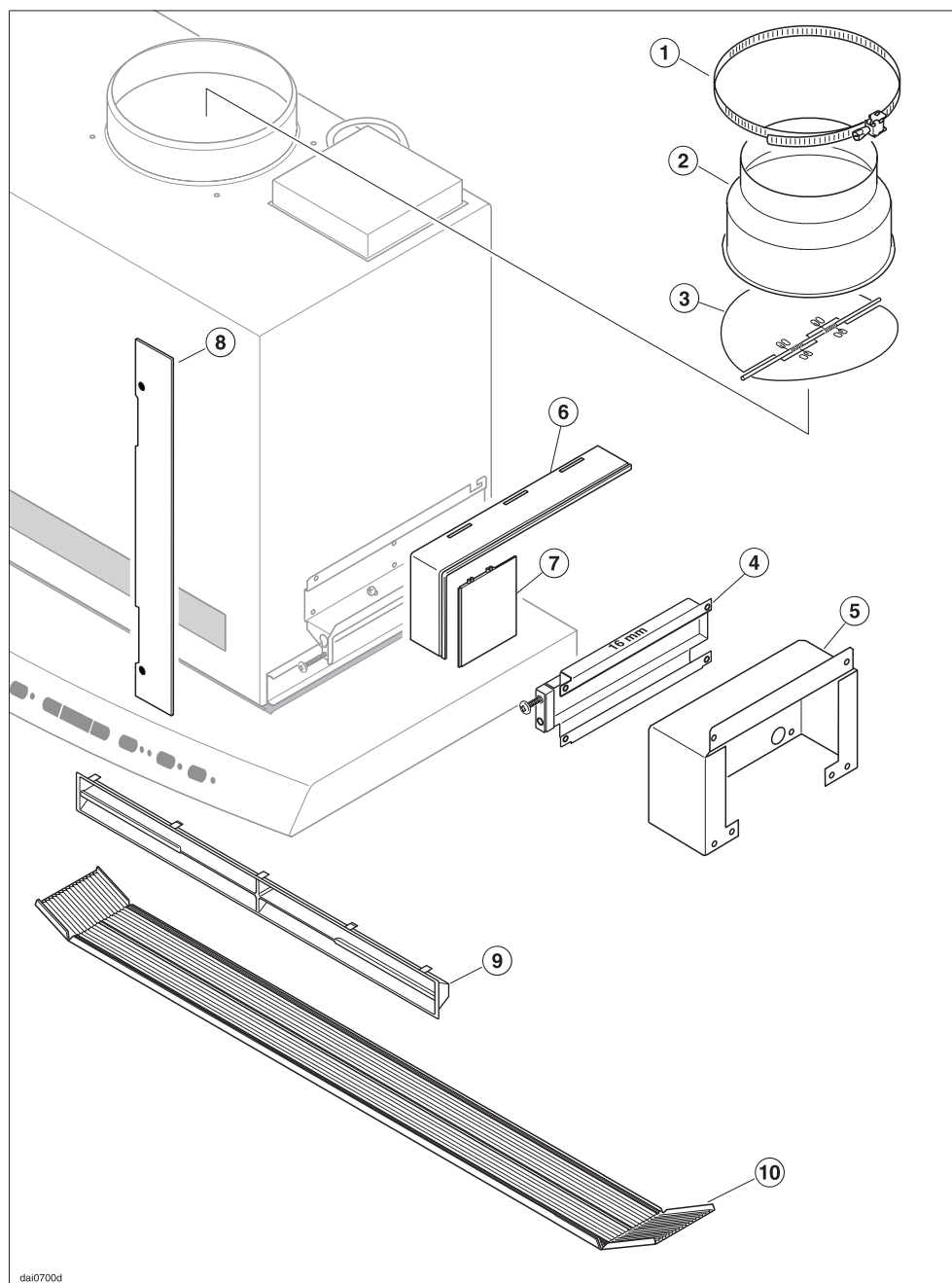
A traverse is available from the Miele Technical Service Department in the appropriate width to suit the cabinet (Miele DT 60, DT 70).

Metric conversion table

Millimeters	Inches
10	3/8
15	5/8
19	3/4
30	1 3/16
40	1 9/16
70	2 3/4
75	3
85	3 3/8
88	3 1/2
100	4
115	4 9/16
125	4 15/16
150	5 15/16
165	6 1/2
170	6 11/16
175	6 7/8
255	10 1/16
258	10 3/16
275	10 13/16
285	11 1/4
345	13 9/16
357	14 1/16
359	14 1/8
389	15 5/16
460	18 1/8
470	18 1/2
522	20 9/16
562	22 1/8
568	22 3/8
595	23 7/16
600	23 5/8
662	26 1/16
668	26 5/16
696	27 7/16

Installation

Installation accessories



dai0700d

① **1 hose clip** for securing the vent ducting to the vent connection.

② **1 reducing collar** for exhaust ducting of a 5" (125 mm).

③ **1 non-return flap** for fitting into the vent connection.

④ **2 runners** (1 x right, 1x left) to support the appliance in the cabinet.

⑤ **2 spacer blocks** for installing the appliance in a 27⁹/₁₆" (70 cm) wide cabinet.

⑥ **2 cover caps** (1 x right, 1x left) and two inserts ⑦ for covering the support rails when installing in a 27⁹/₁₆" (70 cm) wide cabinet.

⑧ **2 side spacers** to cover the spaces at the side when installing in a 23⁵/₈" (60 cm) wide cabinet.

⑨ **Active Charcoal Filter slot** for inserting the Active Charcoal Filter.

⑩ **1 spacer strip** to cover the gap between the rear of the appliance and the wall.



8 screws 4.0x16 mm

For securing the runners ④ in a 23⁵/₈" (60 cm) wide cabinet. or for securing the spacer blocks ⑤ in a 27⁹/₁₆" (70 cm) cabinet.



12 screws

3.5x9.5 mm

8 screws for securing the runners e to the spacer block ⑤ (when installing in a 27⁹/₁₆" (70 cm) wide cabinet). 4 screws for securing the side spacers ⑧.



Screwdriver for aligning the cabinet door after the appliance has been installed.

Installation

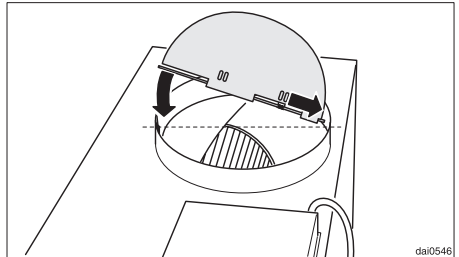
Installation procedure

1. Non-return flap (if needed)
2. Reducing collar (if needed)
3. Fit the runners in the cabinet
4. Hang and align the cabinet door
5. Position the appliance in the cabinet
6. Align the height of the appliance
7. Align the depth of the appliance
8. Fit the side spacers, the spacer strip, and the light cover
9. Set up for air extraction or recirculation
10. Connect to the electrical supply

Prepare the vent connection/ vent socket for air extraction or recirculation before installation.

1. Non-return flap

Air extraction with integrated fan



- Fit the non-return flap into the vent socket so that the flaps can open upwards. (This is not necessary if the ducting system is already fitted with a non-return flap, e.g. wall vent).

Air extraction with external fan

The non-return flap is integrated into the vent socket.

Recirculation mode

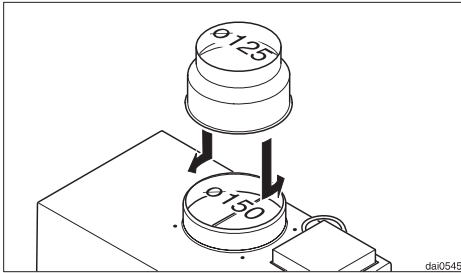
When used in recirculation mode it is not necessary to fit a non-return flap.

2. Reducing collar

Air extraction

The appliance is designed for vent ducting 6" (150 mm) diameter.

If a 5" (125 mm) diameter is required:

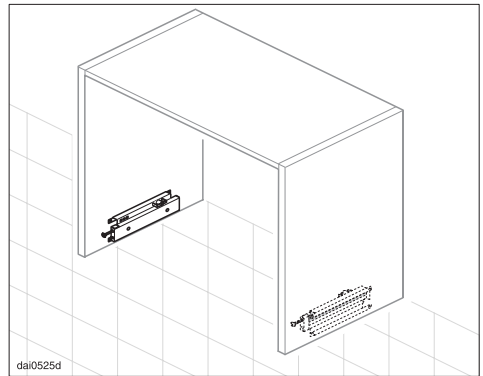


- Place the reducing collar supplied on the vent socket and turn it to secure it in position (see "Connection for air extraction").

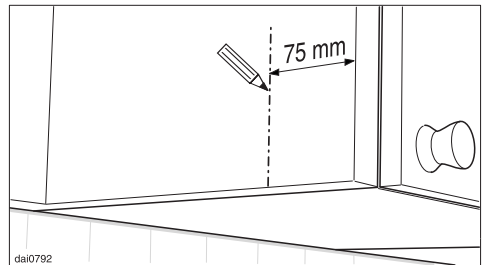
Recirculation mode

- Place the reducing collar for a 5" (125 mm) diameter on the vent socket as described previously.

3. Runners



Now fit the two runners into the cabinet. If the appliance is being installed in a 27 ⁹/₁₆" (70 cm) wide cabinet the runners are fitted with the spacer blocks.

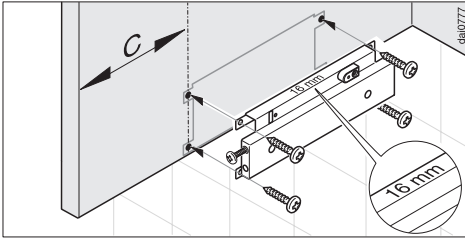


- Draw a vertical line 7 ⁷/₈" (20 cm) long 3" (75 mm) in from the front edge of the cabinet.

Installation

Fit the runners

(Standard cabinet: 23 ⁵/₈" (60 cm) wide, 16 mm thick cabinet wall sides)



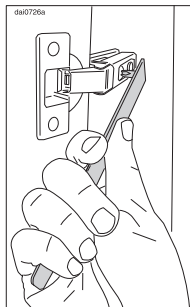
- Hold the runner against the cabinet so that the lower edge of the runner is flush with the cabinet. The first row of screws must be aligned with the pencil marks.
The "16 mm" marking should face upwards.
Secure each runner with four 4,0 x 16 mm screws.

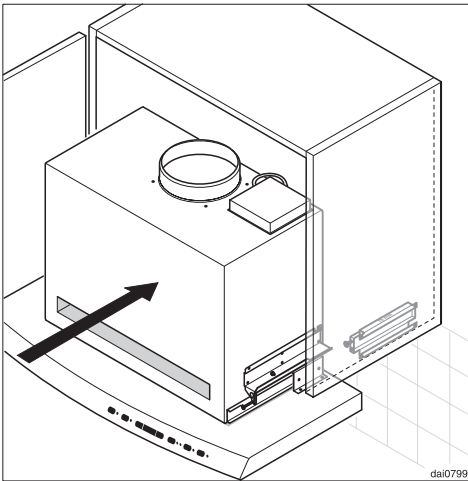
Note: Please refer to the "Special installation instructions" at the end of the "Installation" section for instructions on installing the appliance into a cabinet with 19 mm thick walls or into a 27 ⁹/₁₆" (70 cm) wide cabinet.

4. Hang the cabinet door

Before installing the appliance, hang and align the cabinet door.

Use the special tool supplied, if you need to re-align the cabinet door after the appliance has been installed and the hinges are no longer accessible.





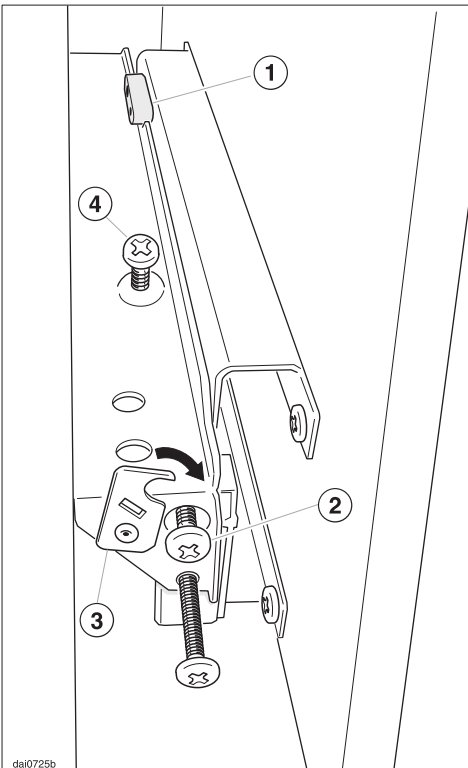
5. Position the appliance in the cabinet

- Lift the venting hood into the cabinet, making sure that the supports on the venting hood are sitting on the runners in the cabinet. Push it into the cabinet as far as it will go.

The supports will slide under the anti-tip device ①.

Insert the adjusting screws ② on the runners through the holes in the supports.

- Use a small screwdriver to push retainer ③ down over adjusting screw ②.



6. Align the height of the appliance

- Use screw ④ to align the height.

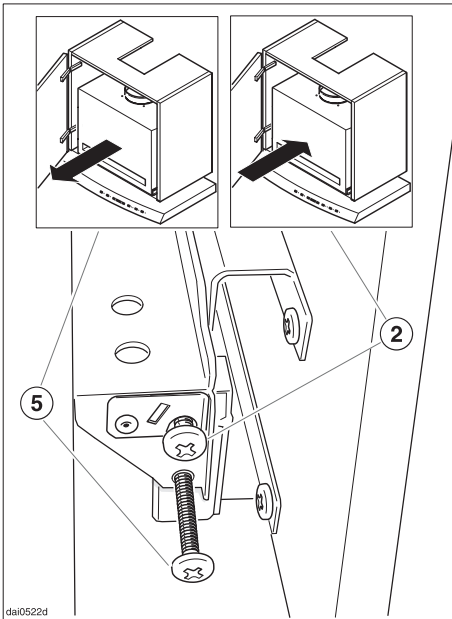
Now align the appliance so that it is horizontal.

Turning screw ④ clockwise, raises the appliance upwards, turning it counterclockwise lowers it.

- Close the unit door and check that the deflector plate goes in and out smoothly. If necessary make more adjustments as above.

Installation

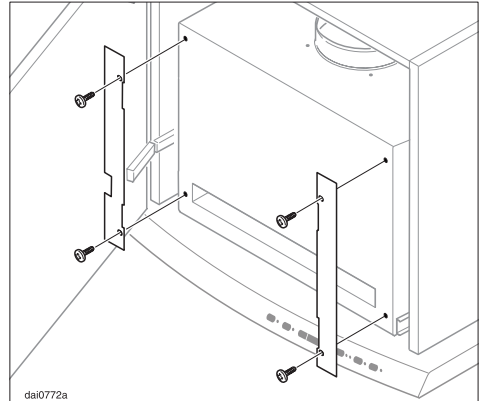
7. Align the depth of the appliance



- To move the appliance further out of the cabinet:
Loosen screws ② and tighten screws ⑤.
Tighten screws ② again to secure it into position.
- To move the appliance further into the cabinet:
Loosen screws ⑤ and tighten screws ②.
Tighten screws ⑤ again to secure it in position.
- Check the alignment again by pulling the deflector plate out and pushing it back in again.

8 a. Fit side spacers at the sides of the appliance

(Standard cabinet 23 ⁵/₈" (60 cm) wide)

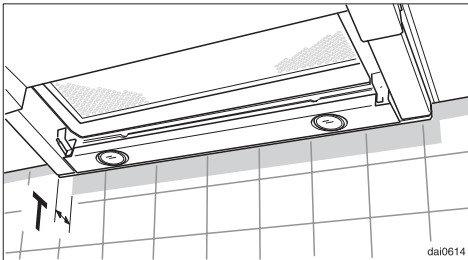


The side spacers cover the gaps between the sides of the appliance and the cabinet.

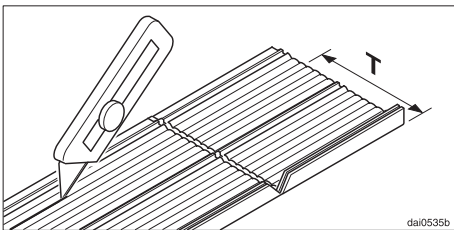
- Before fitting the side spacers, use a knife to make a cut-out in the side spacer for the appropriate side of the cabinet to accommodate the cabinet hinging.
- Screw the side spacers to the housing and press them in at the sides. Use the 3.5 x 9.5 mm screws.

Note: Please refer to the "Special installation instructions" at the end of the "Installation" section for instructions on installing the appliance into a 27 ⁹/₁₆" (70 cm) wide cabinet.

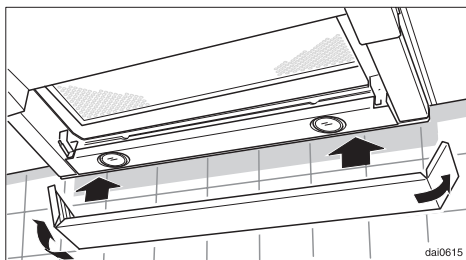
8 b. Spacer strip for the rear of the appliance



- Measure the gap "T" to be covered between the rear of the appliance and the wall.

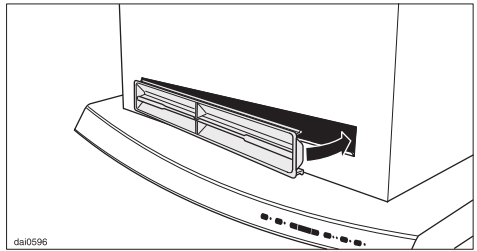


- Use a knife to trim the spacer strip supplied to measurement "T".



- Stick the spacer strip to the underside of the appliance.
- Turn the side cover caps upwards and press into position.

9 a. Set up for vented extraction



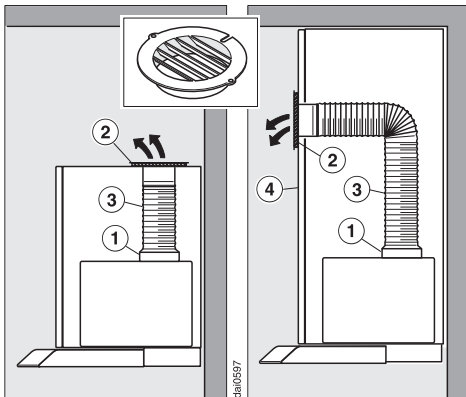
- Insert the panel supplied into the slot for the Active Charcoal Filter.
- Secure the ventilation ducting over the vent socket on the venting hood using a hose clip.
- Complete venting installation. (See "Connection for air extraction").

Installation

9 b. Set up for recirculation mode connection

If the hood can not be installed for air extraction the appliance must be connected for recirculation.

The following parts, available through your Miele Dealer or from the Miele Technical Service Department are necessary for using the appliance in recirculation mode:



- Recirculation conversion kit 5" (125 mm) diameter includes an exhaust grill, hose, hose clip
- Active Charcoal Filter (see "Technical data")

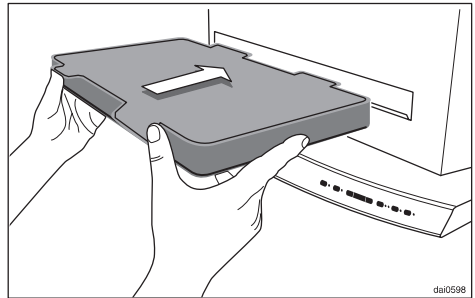
Connection

When installing the venting hood in a cabinet the exhaust grill ② has to be fitted in the top of the unit. The vent connection (vent socket) ① and the exhaust grill ② are joined together with a pipe or flexible duct cut to size ③.

If the front of the unit is ceiling height then an appropriate cut-out must be made in the front panel ④ .

When installing the ventilation grill make sure that the slats in the grill point towards the center of the room and not towards a wall or the ceiling.

The slot for the Active Charcoal Filter is located on the front of the appliance.



- Install the Active Charcoal Filter (see "Cleaning and care").

10. Electrical connection

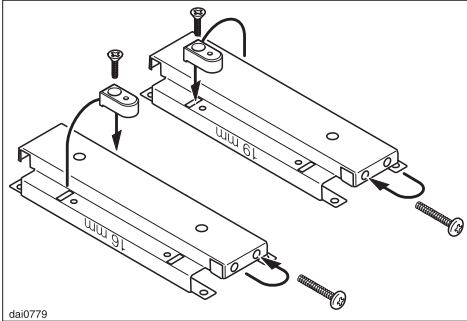
Refer to the notes in "Electrical connection" and "Warning and Safety instructions" before connecting to the electrical supply.

- EXT model venting hoods are designed for use with an external fan, i.e. the fan is to be installed in a wall outside the room.

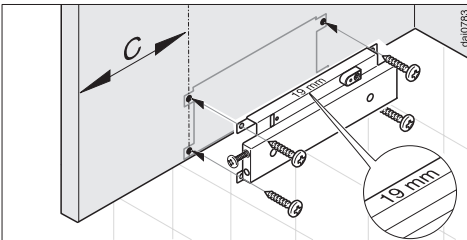
Electrical connection is made by a power cord with plug. Separate installation instructions are supplied with the external fan.

Special installation instructions

Installation in to a cabinet with 19 mm thick walls



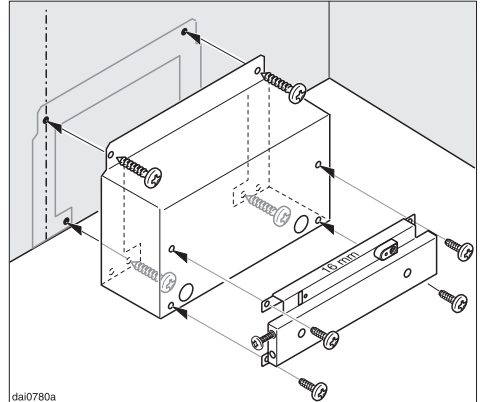
- The runners have to be adapted as shown above.



- Screw the runners to the cabinet with the "19 mm" marking facing upwards as shown above.

Installing in a 27 9/16" (70 cm) wide cabinet:

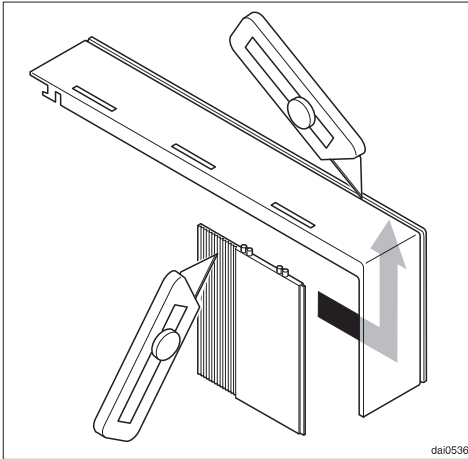
The runners are secured to the spacer blocks.



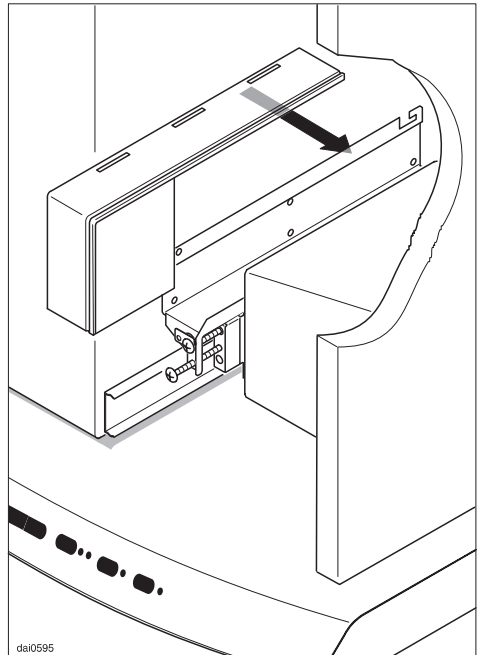
- Screw the spacer block to the cabinet with the lower edge flush with the bottom of the cabinet using the 4.0 x 16 mm screws. The first row of screws must be aligned with the pencil marks.
- Screw the runners to the spacer block using the 3.5 x 9.5 mm self tapping screws.

Installation

When installed in a 27 ⁹/₁₆" (70 cm) wide cabinet, the runners are fitted with the cover caps supplied.



- Cut the inserts to the required depth and fit into the sides of the cover caps.
- On units with 19 mm thick walls the cover caps for the runners must be trimmed using a knife along the groove.



- Fit the cover caps to the runners on both sides of the unit.
- Line up the pre-drilled holes of the cover and housing and secure with 3.9 x 9.5 mm screws.

Danger of toxic fumes.

Gas cooking appliances release carbon monoxide that can be harmful or fatal if inhaled. The exhaust gases extracted by the hood should be vented outside of the building **only**.

Do not terminate the exhaust ducts in attics, garages, crawlspaces, etc.

Please read and follow the **"Warning and Safety Instructions"** to reduce the risk of personal injury, and follow all local building codes when installing the hood.

Exhaust ducting and connections

- The ducting should be as short and straight as possible, and the number of sharp bends should be minimized.
- For most efficient air extraction, the diameter of the ductwork should not be less than 6" (150 mm). Use of flat ducts also reduces the air extraction efficiency.
- Noise levels of the hood will increase if flat ducts or round ducts of less than 6" (150 mm) in diameter are used.

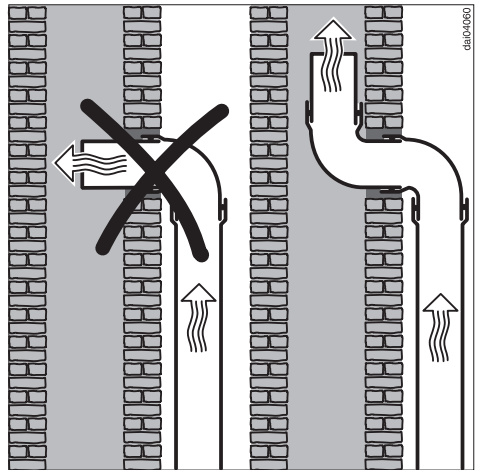
WARNING

To reduce the risk of fire, Use only metal ductwork.

CAUTION

To reduce risk of fire and to properly exhaust air, be sure to duct air outside - Do not vent exhaust air into spaces within walls or ceilings or into attics, crawl spaces, or garages.

- Use smooth or flexible pipes made from approved non-flammable materials for exhaust ducting.
- Where the ductwork is horizontal, it must slope away from the hood at least 1/8" per foot (1cm per meter) to prevent condensation dripping into the appliance.
- If the exhaust is ducted through an outside wall, a Miele Telescopic Wall Vent can be used.



- If the exhaust is ducted into an inactive flue, the air must be expelled parallel to the flow direction of the flue.

Air extraction

Never connect an exhaust hood to an active chimney, dryer vent, vent flue, or room venting ductwork. Seek professional advice before connecting an exhaust hood vent to an existing, inactive chimney or vent flue.

Ductwork with a diameter of less than 6" (150 mm) should only be used when absolutely necessary. As duct diameter decreases, the hood performance and sound levels will be affected.

Note:

If the ductwork runs through rooms, ceilings, garages, etc. where temperature variations exist, it may be necessary to use insulation to reduce condensation. In some cases, a condensate trap may also be required.

Electrical connection

All electrical work should only be performed by a qualified electrician in accordance with national and local safety regulations.

The hood comes equipped with a 5 ft (1,5 m) power cord for connection to a 120 VAC, 15 A, 60 Hz power outlet.

Verify that the information on the data plate matches the household electrical supply before installing the hood. The data plate is visible once the grease filter has been removed.

Important

CAUTION:
Ensure that power supply is OFF during installation.

If you have any questions as to how to connect this hood to your building power supply, please call Miele or consult a licensed electrician.

WARNING
THIS APPLIANCE MUST BE
GROUNDING

Technical data

Maximum load 450 W
Lighting 2 x 50 W
Voltage 120 VAC
Frequency ~ 60 Hz
Circuit breaker 15 A

Fan

Values derived using 6" (150 mm) ducting and EN 61591 test procedures

Level I 190 cfm (320 m³/h)
Level II 295 cfm (500 m³/h)
Level III 420 cfm (710 m³/h)
Intensive level 495 cfm (840 m³/h)
Unrestricted 540 cfm (920 m³/h)

Recirculation mode with active charcoal filter:

Level I 165 cfm (280 m³/h)
Level II 250 cfm (430 m³/h)
Level III 350 cfm (600 m³/h)
Intensive level 400 cfm (680 m³/h)

Miele Active Charcoal Filter DKF 8,
Art.Nr. 28.9961.34

Miele, Inc.

National Headquarters

9 Independence Way
Princeton, NJ 08540
Phone: 800-843-7231, 609-419-9898
Fax: 609-419-1435
Technical Service: 800-999-1360
www.mieleusa.com

New England Showroom

555 Washington Street
Wellesley, MA 02482
Phone: 781-431-2225
Fax: 781-431-0003

Southeast Regional Headquarters

6400 Congress Avenue
Suite 1700
Boca Raton, FL 33487
Phone: 561-995-8030
Fax: 561-995-8083

West Coast Regional Headquarters

680 Eighth Street
Suite 168 - Sobel Building
San Francisco, CA 94103
Phone: 800-245-8215
415-241-6820
Fax: 415-241-6822

WEST COAST REGIONAL SERVICE 800-245-8215

Southern California Showroom

189 North Robertson Blvd.
Beverly Hills, CA 90211
Phone: 310-855-9470
Fax: 310-358-0238

Mid West Regional Headquarters

3100 West Dundee Road
Suite 901
Northbrook, IL 60062
Phone: 847-714-9433
Fax: 847-714-9434

Miele

Miele Limited

Canadian Head Office

55G East Beaver Creek Road
Richmond Hill
Ontario L4B 1E5
Phone: 905-707-1171
Toll-Free: 1-800-565-6435
Fax: 905-707-0177

Internet: www.miele.ca

E-Mail: info@miele.ca

(general enquiries)

E-Mail: service@miele.ca
(technical service)

BC Regional Sales Office

3731 North Fraser Way
Unit 200
Burnaby
British Columbia V5J 5J2
Phone: 604-434-1300
Fax: 604-434-1309

Quebec Regional Sales Office

400 Laurier Avenue West
Suite 600
Montreal
Quebec H2V 2K7
Phone: 514-277-1818
Toll-Free: 1-877-636-4353
Fax: 514-277-1838

Free Manuals Download Website

<http://myh66.com>

<http://usermanuals.us>

<http://www.somanuals.com>

<http://www.4manuals.cc>

<http://www.manual-lib.com>

<http://www.404manual.com>

<http://www.luxmanual.com>

<http://aubethermostatmanual.com>

Golf course search by state

<http://golfingnear.com>

Email search by domain

<http://emailbydomain.com>

Auto manuals search

<http://auto.somanuals.com>

TV manuals search

<http://tv.somanuals.com>