

## Operating and Installation Instructions



## Ventilation System DA 390-5

To prevent accidents  
and appliance damage,  
read these instructions

**before**

installation or use.

en - US, CA

M.-Nr. 07 828 280

# Contents

---

<b>IMPORTANT SAFETY INSTRUCTIONS</b> . . . . .	3
<b>Functional description</b> . . . . .	7
<b>Guide to the Ventilation System</b> . . . . .	8
<b>Operation</b> . . . . .	10
Turning on the fan ① . . . . .	10
Selecting the power level – / + . . . . .	10
Overhead lighting :☉: . . . . .	11
<b>Cleaning and Care</b> . . . . .	12
Cleaning the casing . . . . .	12
Grease filters . . . . .	13
Active charcoal filter . . . . .	14
Changing the light bulbs . . . . .	15
<b>After Sales Service</b> . . . . .	16
<b>Installation instructions</b> . . . . .	17
<b>Caring for the environment</b> . . . . .	18
<b>Appliance dimensions</b> . . . . .	19
<b>Structural support</b> . . . . .	21
<b>Installation</b> . . . . .	22
Installation instructions . . . . .	22
Installation accessories . . . . .	22
<b>Recirculation mode</b> . . . . .	<b>22</b>
<b>Electrical connection</b> . . . . .	23
<b>Air extraction</b> . . . . .	24
<b>Technical data</b> . . . . .	26

# IMPORTANT SAFETY INSTRUCTIONS

## READ AND SAVE THESE INSTRUCTIONS

Keep these instructions in a safe place and pass them on to any future user.

Read these instructions carefully before installing or using the Ventilation System.

- ▶ This appliance is intended for residential use only. Use the appliance only for its intended purpose.
- ▶ This appliance complies with current safety requirements. Improper use of the appliance can lead to personal injury and material damage.

**⚠ CAUTION**  
**For General Ventilating Use Only. Do Not Use To Exhaust Hazardous Or Explosive Materials And Vapors.**

- ▶ This appliance is designed to vent cooking smoke and odors only.
- ▶ This appliance is suitable for installation above gas or electric cooking surfaces.
- ▶ This appliance is not intended for outdoor use.
- ▶ This appliance must not be used in a non-stationary location (e.g. on a ship).

**⚠ WARNING**  
**TO REDUCE THE RISK OF FIRE, ELECTRIC SHOCK, OR INJURY TO PERSONS, OBSERVE THE FOLLOWING:**

- ▶ a) Use this appliance only in the manner intended by the manufacturer. If you have questions, contact Miele.
- ▶ b) Before servicing or cleaning the appliance, switch power off at the service panel and lock the service disconnecting means to prevent power from being switched on accidentally. If the service disconnecting means cannot be locked, securely fasten a prominent warning device, such as a tag, to the service panel.
- ▶ c) Be certain your appliance is properly installed and grounded by a qualified technician. To guarantee the electrical safety of this appliance, continuity must exist between the appliance and an effective grounding system. It is imperative that this basic safety requirement be met. If there is any doubt, have the electrical system of the house checked by a qualified electrician.

# IMPORTANT SAFETY INSTRUCTIONS

---

▶ d) Before connecting the appliance to the power supply make sure that the voltage and frequency listed on the data plate correspond with the household electrical supply. This data must correspond to prevent appliance damage. If in doubt consult a qualified electrician.

▶ e) Installation work and repairs should only be performed by a qualified technician in accordance with all applicable codes and standards. Repairs and other work by unqualified persons could be dangerous.

▶ f) Only open the housing as described in the enclosed "Installation diagram" and in the "Cleaning and care" section of this manual. Under no circumstances should any other parts of the housing be opened. Tampering with electrical connections or components and mechanical parts is highly dangerous to the user and can cause operation faults.

▶ g) Before discarding an old appliance, disconnect it from the power supply and remove the power cord to prevent hazards.

## Use

### **WARNING** **TO REDUCE THE RISK OF A COOKTOP GREASE FIRE:**

▶ a) Never leave surface units unattended at high settings. Boilovers cause smoking and greasy spillovers may ignite. Heat oils slowly on low or medium settings.

▶ b) Always turn the hood on when cooking at a high heat.

▶ c) Clean the ventilation hood frequently. Grease should not be allowed to accumulate on the fan or filter.

▶ d) Use the proper pan size. Always use cookware appropriate for the size of the cooking area.

▶ e) Do not flambé or grill with an open flame beneath the hood. Flames could be drawn up into the hood by the suction and the grease filters may catch fire.

# IMPORTANT SAFETY INSTRUCTIONS

**⚠ WARNING**  
**TO REDUCE THE RISK OF INJURY TO PERSONS IN THE EVENT OF A COOKTOP GREASE FIRE, OBSERVE THE FOLLOWING\*:**

▶ a) **SMOTHER FLAMES** with a close fitting lid, cookie sheet, or metal tray then turn off the burner.

**BE CAREFUL TO PREVENT BURNS.** If the flames do not go out immediately, **EVACUATE AND CALL THE FIRE DEPARTMENT.**

▶ b) **NEVER PICK UP A FLAMING PAN** - You may be burned.

▶ c) **DO NOT USE WATER**, including wet dishcloths or towels - a violent steam explosion will result.

▶ d) Use a fire extinguisher **ONLY** if:

1) You have a class ABC extinguisher, and you know how to operate it.

2) The fire is small and contained in the area where it started.

3) The fire department is being called.

4) You can fight the fire with your back to an exit.

\* Based on "Kitchen Firesafety Tips" published by NAFTA

▶ Do not allow children to play with or operate the appliance or its controls. Supervise its use by the elderly or infirm.

▶ Always turn on the hood when using the cooktop to prevent damage from condensation.

▶ Never operate gas burners without cookware. Turn the burner off when not in use. Adjust the burner so that the flames do not extend beneath the cookware. Do not overheat the cookware, e.g. when using a wok. The hood can be damaged due to excessive heat from the burners and the cookware.

▶ Do not use the hood without the grease filters in place.

▶ Do not use a steam cleaner to clean the hood. Steam could penetrate electrical components and cause a short circuit.

# IMPORTANT SAFETY INSTRUCTIONS

## Installation

### **WARNING** **TO REDUCE THE RISK OF FIRE, ELECTRIC SHOCK, OR INJURY TO PERSONS, OBSERVE THE FOLLOWING:**

- ▶ a) Installation work and electrical wiring must be done by qualified person(s) in accordance with all applicable codes and standards, including fire-rated construction.
- ▶ b) Sufficient air is needed for combustion and exhausting of gases through the flue (chimney of fuel burning equipment to prevent back drafting. Follow the heating equipment manufacturer's guideline and safety standards such as those published by the National Fire Protection Association (NFPA) and the American Society for Heating, Refrigeration and Air Conditioning Engineers (ASHRAE), and the local code authorities.
- ▶ c) When cutting or drilling into the wall or ceiling, do not damage electrical wiring and other hidden utilities.
- ▶ d) Ducted hoods must always be vented to the outdoors.
- ▶ e) Do not use this hood with any solid-state speed control device.
- ▶ f) Do not use an extension cord to connect the appliance to electricity. Extension cords do not guarantee the required safety of the appliance, (e.g. danger of overheating).

▶ g) Do not install this hood over cooktops that burn solid fuel.

▶ h) Provided a larger distance is not given by the manufacturer of the cooktop, follow the minimum safety distances between a cooktop and the bottom of the hood given in the "Appliance dimensions" section of this manual.

If local building codes require a greater safety distance, follow their requirement.

If there is more than one appliance beneath the hood and they have different minimum safety distances always select the greater distance.

▶ i) Never connect an exhaust hood to an active chimney, dryer vent, vent flue, or room ventilating ductwork.

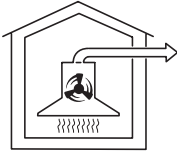
▶ j) Seek professional advice before connecting an exhaust hood vent to an existing, inactive chimney or vent flue.

▶ k) Any fittings, sealant, or materials used to install the ductwork must be made of approved non-flammable materials.

### **WARNING** **TO REDUCE THE RISK OF FIRE USE ONLY METAL DUCTWORK.**

The ventilation hood offers two modes of operation:

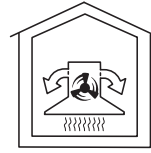
## Air extraction



The air is drawn in and cleaned by the grease filters and directed outside.

The hood comes equipped with a **non-return flap**. This flap automatically closes when the hood is turned off so that no exchange of outside air and room air can occur. When the hood is turned on, the air pressure of the exhaust fan automatically opens the flap blowing the inside air and cooking odors outside.

## Recirculation mode

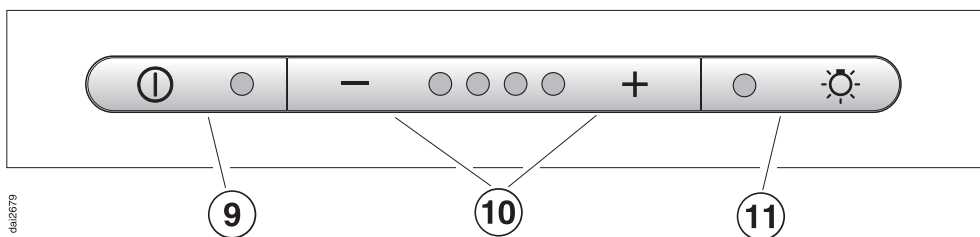
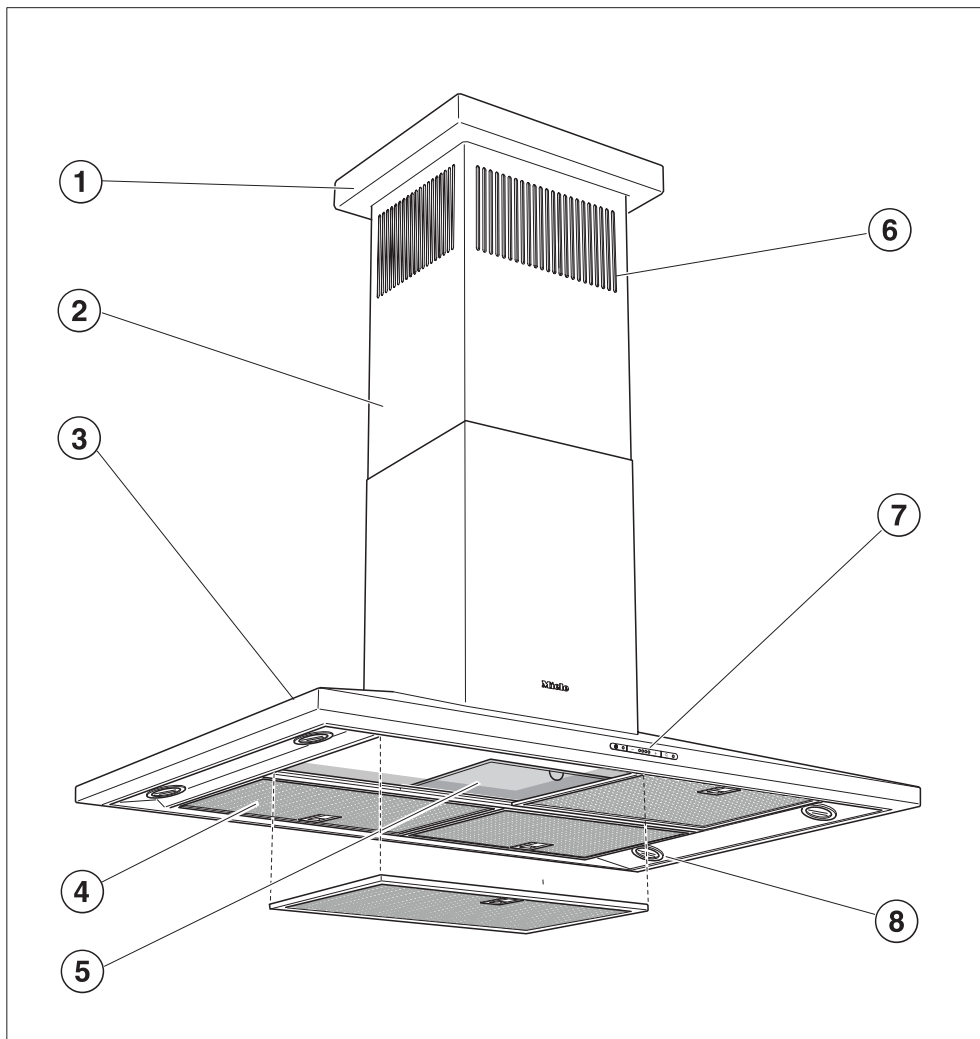


Air is drawn through the grease filters and **active charcoal filters**. The filtered air is then recirculated back into the kitchen.

The active charcoal filter and the installation kit may be purchased from Miele.

Before using the hood in recirculation mode, ensure that the active charcoal filters are in place, see "Cleaning and Care".

# Guide to the Ventilation System



da26779



① **Chimney extension**

② **Chimney**

③ **Canopy**

④ **Grease filters**

⑤ **Charcoal filter**

optional accessory

⑥ **Recirculation vent**

⑦ **Control panel**

⑧ **Overhead lighting**

⑨ **On/Off button**

⑩ **Power level buttons**

Four fan speed selection

⑪ **On / Off button for the lighting**

# Operation

---

## Turning on the fan ①

- Press the On/Off button ①.

The fan turns on to Level "II".

## Selecting the power level - / +

- Press the "-" symbol to select a lower power level or the "+" symbol for a higher power level.

Depending on the amount of cooking odors, levels **1** to **3** are usually sufficient for normal cooking.

## Intensive setting

Level "4" should only be used for short periods of time when frying or cooking food with a strong aroma.

## Automatically switching back the intensive power level

The intensive level can be programmed to automatically switch back to level **3** after 10 minutes.

- Turn the fan and the overhead lighting off.
- Press and hold the - and + buttons for approx. 10 seconds until power level indicator **1** lights up.
- Then press the following buttons one after another :
  - light :☉,
  - the "-" button, and
  - the light button :☉ again.

If the indicators **1** and **4** flash, the automatic switch back is not activated.

- To activate the automatic switch back, press the "+" button. The power level indicators **1** and **4** light continuously. To deactivate, press the "-" button.
- Press the On/Off ① button to confirm the setting.

If the procedure is not stored within 4 minutes, the hood will automatically default to the original setting

## Turning off the fan ①

- Press the On/Off button to turn the fan off ①.

The ① indicator goes out.

## Overhead lighting :⊙:

The overhead lighting can be turned on and off independently of the fan.

- Press the light button :⊙: briefly to turn on the lighting.

## Automatic Safety Shut-Off

The fan will turn automatically off 10 hours of use. The lighting however will remain on.


- Press the On/Off button ① to turn the fan back on again.

# Cleaning and Care

---

## **WARNING** **TO REDUCE THE RISK OF FIRE, ELECTRIC SHOCK, OR INJURY TO PERSONS, OBSERVE THE FOLLOWING:**

Before cleaning or servicing the hood, disconnect it from the power supply, see "Important Safety Instructions".

 The halogen bulbs are very hot when in use. They stay hot for some time after turned off. Use caution, danger of burns.  
Wet cleaning the hot bulbs will cause damage.  
Wait a few minutes after turning them off before cleaning.

## **Cleaning the casing**

Never use abrasive cleaners, scouring pads, steel wool or caustic (oven) cleaners on the hood. They **will** damage the surface.

- All external surfaces and controls can be cleaned with a mild solution of warm water and liquid dish soap applied with a soft sponge.

Do not use too much water when cleaning the controls. Water could penetrate the electronics and cause damage.

- Wipe dry using a soft cloth.

Avoid:

- cleaning agents containing soda, acids or chlorides,
- abrasive cleaning agents e.g. powder or cream cleansers,
- abrasive sponges, e.g. pot scourers or sponges which have been previously used with abrasive cleaning agents.

These will damage the surface.

The following instructions for cleaning "Stainless steel" surfaces and "Stainless steel colored controls" should be followed **in addition to** the general "Cleaning the casing" instructions.

### **Special instructions for stainless steel surfaces (not applicable to the controls)**

Stainless steel surfaces can be cleaned using a non-abrasive stainless steel cleaner.

To help prevent resoiling, a conditioner for stainless steel can be applied.

### **Special instructions for colored casings (RAL) (Special order)**

It is very difficult to clean this type of surface without causing minor marks to the surface material. This can become particularly noticeable with darker colors and if there is halogen lighting in the kitchen.


### **Stainless steel colored controls**

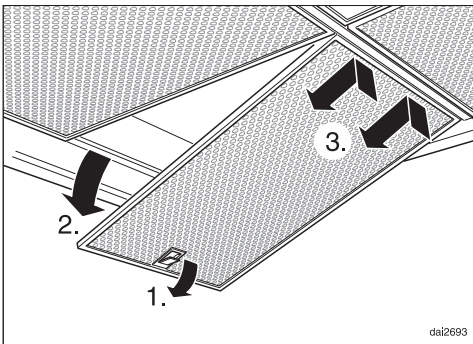
These controls may become discolored or damaged if not cleaned regularly. Do not use a stainless steel cleaner on these controls.

## Grease filters

The reusable metal grease filters in the hood remove solid particles from the vented kitchen air (grease, dust, etc) and prevent soiling of the ventilation system.

The grease filters should be cleaned every 3 - 4 weeks.

 A dirty filter is a fire hazard.



- To remove the grease filter pull the locking clips forward **1.**, lower the filter down 45° **2.**, unhook it at the rear **3.**, and take it out.

Support the grease filter so that it does not fall and damage the cooktop.

## Cleaning the grease filter

- **By hand:** use a scrub brush with a solution of warm water and mild detergent.

Do not use the pure detergent, aggressive all purpose cleaners, oven sprays, abrasive cleaning agents or limescale removers. They could destroy the filter.

- **In a dishwasher:** place the filter vertically in the lower basket, making sure that the spray arm is not blocked.

Use a wash program with a max. temperature of 150°F (65°C). In a Miele dishwasher use the "Normal" program.

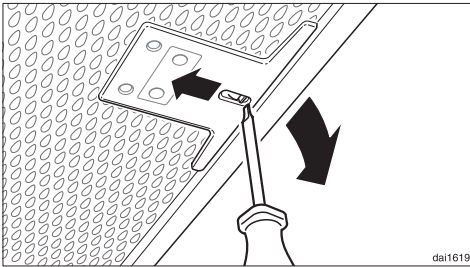
Use the recommended amount of dishwasher detergent. Overuse could destroy the filter.

Depending on the detergent, cleaning the grease filter in a dishwasher may cause permanent discoloration of the filter surface. Performance of the filter will not be affected by this discoloration.

- After cleaning, the filter can be placed on a towel to air dry.
- While the filters are removed, clean any dirt or grease from the filter casing.

# Cleaning and Care

- When putting the grease filters back make sure that the locking clips are visibly facing the cooking surface



- If the filters are incorrectly installed, insert a small screwdriver into the slit along its edge to disengage it from the casing.

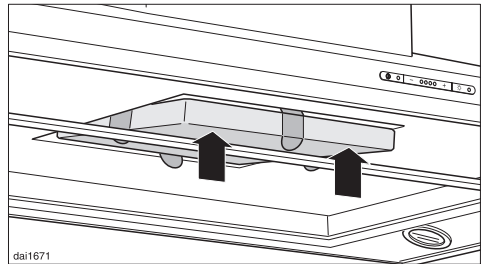
## Active charcoal filter

In recirculation mode an active charcoal filter must be used in addition to the grease filters. It is designed to absorb cooking odors.

The active charcoal filter will be replaced in the canopy above the grease filters.

Replacement active charcoal filters can be ordered from Miele.

- To install or replace the charcoal filter, the grease filters must first be removed as described in the previous section.
- Remove the charcoal filter from the packaging.



- Insert the charcoal filter into the canopy.
- Replace the grease filters.

Replace the active charcoal filter at least every 6 months or when they no longer absorb odors efficiently.

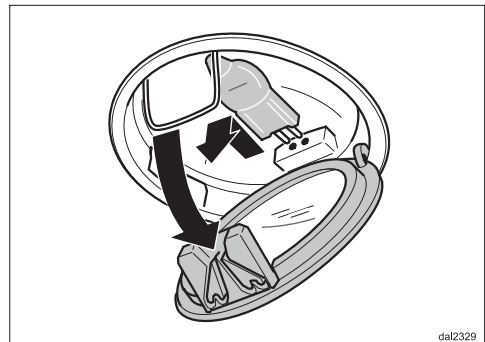
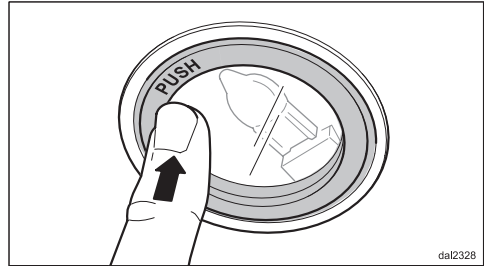
Used charcoal filters may be discarded in household trash.

## Changing the light bulbs

**⚠ WARNING**  
**TO REDUCE THE RISK OF**  
**FIRE, ELECTRIC SHOCK, OR**  
**INJURY TO PERSONS,**  
**OBSERVE THE FOLLOWING:**

Before changing the light bulbs, disconnect the hood from the power supply, see "Important Safety Instructions".

When in use halogen bulbs become extremely hot, and can burn your hands. Do not attempt to change the bulbs until they have had sufficient time to cool.



- To change the halogen bulb, first gently press the light cover. The cover will open and can now be flipped down.
- Pull the halogen bulb from its socket.
- Using a cloth or glove, insert the new halogen bulb (type 12 V, 20 W, G4).

Please follow the manufacturer's instructions.

- Flip the light cover back up, making sure it clicks into place.

# After Sales Service

---

## Repairs

In the event of a fault which you cannot easily fix yourself, please contact the Miele Technical Service Department.

- When contacting the Technical Service Department, please quote the model and serial number of your appliance.

These are shown on the data plate which is visible when the grease filters are removed.

## MieleCare

(USA only)

**MieleCare**, our Extended Service Contract program, gives you the assurance of knowing that your appliance investment is covered by 5 years of worry free ownership.

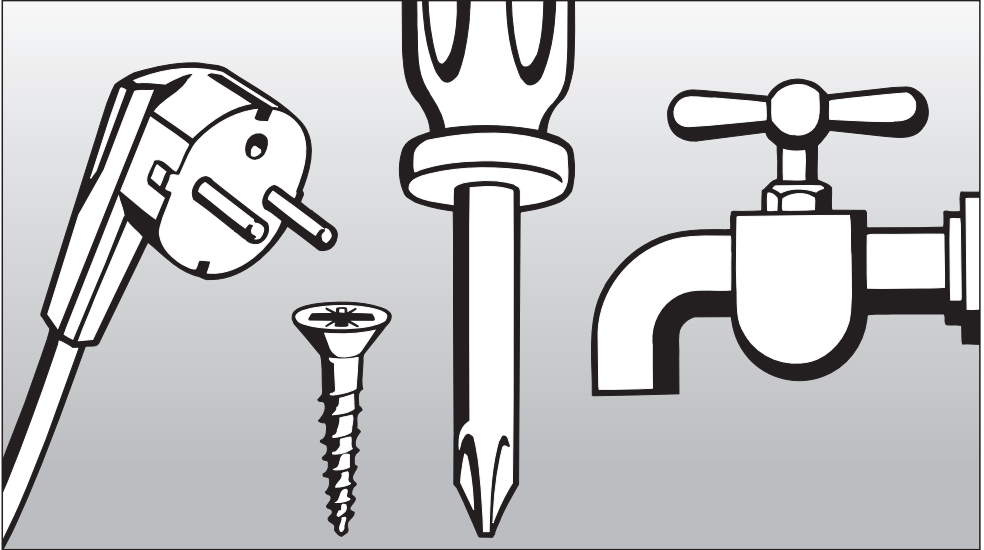
**MieleCare** is the only Extended Service Contract in the industry that guarantees repairs by a Miele Authorized Service Provider using genuine Miele parts. Only genuine Miele parts installed by factory trained professionals can guarantee the safety, reliability, and longevity of your Miele appliance.

Please note that unless expressly approved in writing by Miele's Service department, Extended Service Contracts offered by other providers for Miele products will not be recognized by Miele. Our goal is to prevent unauthorized (and untrained) service personnel from working on your Miele products, possibly doing further damage to them, you and/or your home.

To learn more about **MieleCare** Extended Service Contracts, please contact your appliance dealer or visit us online at:

**<http://mieleusa.com/mielecare>**





## Installation Instructions

Read these instructions and the "Important Safety Instructions" before installing this ventilation system.

The installation steps are described in the enclosed "Installation Diagram".

Leave these instructions with the appliance for the consumer/user.

Information is subject to change. Please refer to our website to obtain the most current product specification, technical & warranty information.

# Caring for the environment

---

## Disposal of packing material

The cardboard box and packing materials protect the appliance during shipping. They have been designed to be biodegradable and recyclable. Please recycle.



### **DANGER**

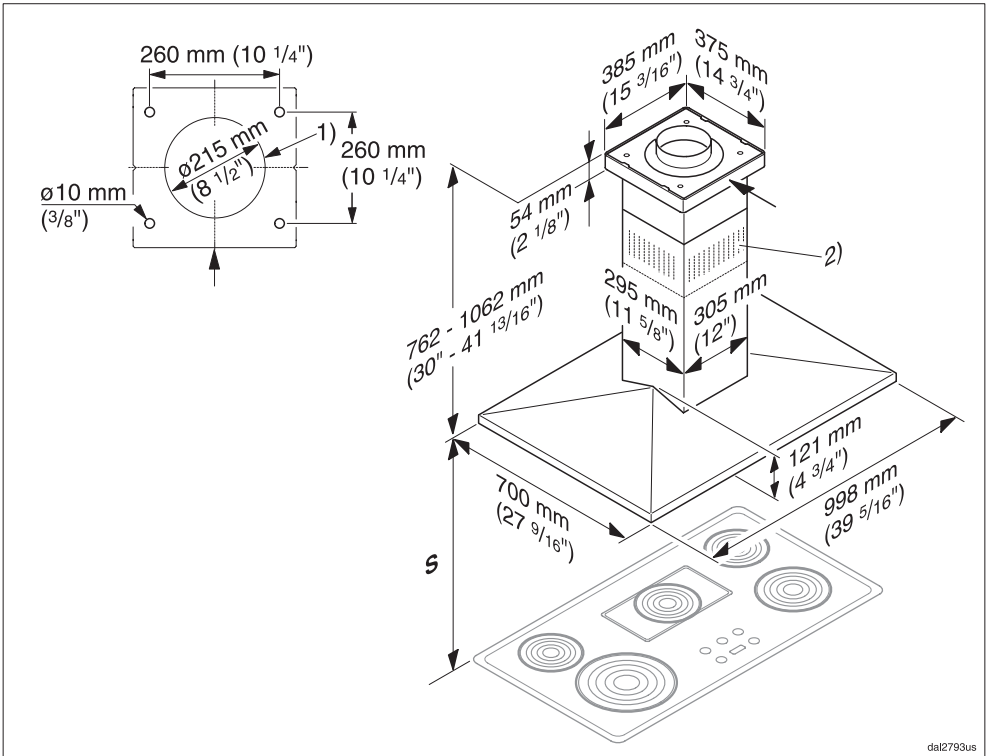
Ensure that any plastic wrappings, bags, etc., are disposed of safely and kept out of the reach of babies and young children. Danger of suffocation!

## Disposal of an old appliance

Old appliances may contain materials that can be recycled. Please contact your local recycling center about the possibility of recycling these materials.

Before discarding an old appliance, disconnect it from the electrical supply and cut off the power cord to prevent it from becoming a hazard.

# Appliance dimensions



dia12793us

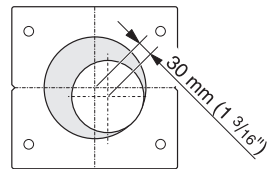
(Ceiling fixing viewed from above)

## 1) Cut-out for ductwork and power cord

In recirculation mode, only the power cord is necessary.

## 2) Position of recirculation vent

Exhaust connection 6" (150 mm)  
(not needed for recirculation mode)



The exhaust connection in the ceiling plate is not secured in the center. This makes installation possible if the connection in the ceiling is not centered above the cooktop. A max. variance of 1 3/16" (30 mm) in any direction is possible.

# Appliance dimensions

## Distance between cooktop and hood (S)

Do not install this exhaust hood over cooktops burning solid fuel.

Provided a larger distance is not given by the manufacturer of the cooktop, follow the minimum safety distances between a cooktop and the bottom of the hood:

	<b>Miele Cooktops</b>	<b>Non-Miele Cooktops</b>
Electric Cooktops	24" (610 mm)	
Electric Barbeques and Fryers	26" (660 mm)	
Multi burner Gas cooktops ≤ 43,000 BTU (12.6 KW) and no burner > 15,000 BTU (4.5 KW)	26" (660 mm)	30" (760 mm)
Single burner (Wok) ≤ 20,500 BTU (6 KW)	26" (660 mm)	30" (760 mm)
All other gas cooktops	30" (760 mm)	

- If several gas surfaces are installed under the hood, the total output must be considered when determining the minimum safety distance.
- Be sure to follow the minimum safety distances given by the gas cooktop manufacturer to easily flammable materials e.g. upper cabinets.
- If local building codes require a greater safety distance, follow their requirement.
- If there is more than one appliance beneath the hood and they have different minimum safety distances always select the greater distance.

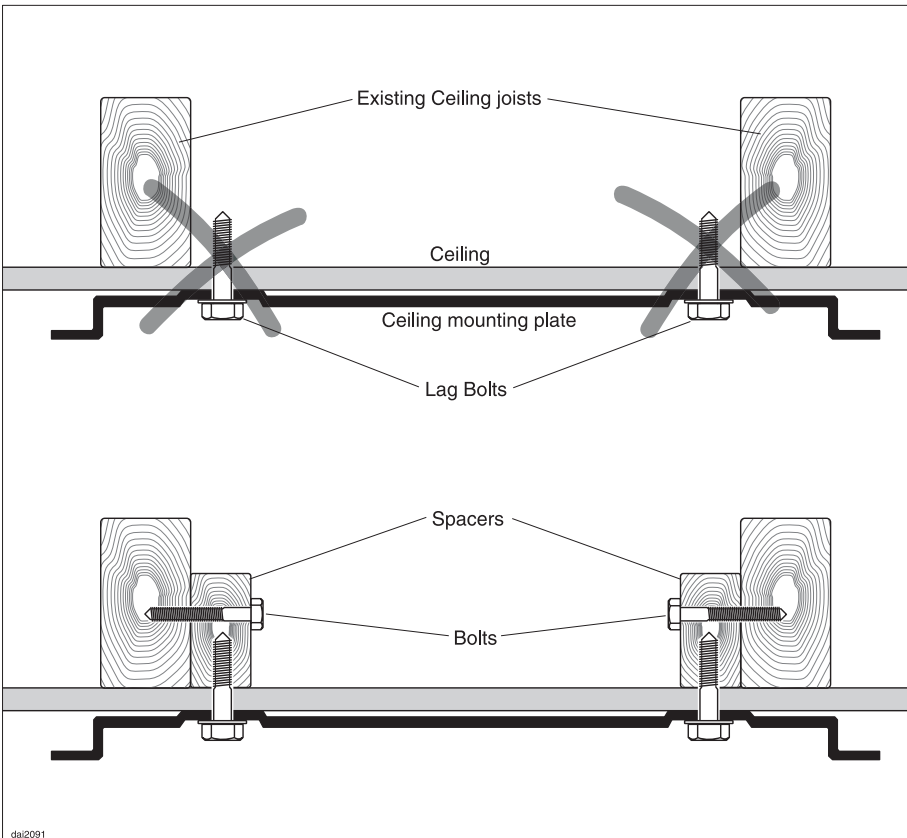
See "Important Safety Instructions" for further information.

# Structural support

The ceiling mounting plate will support the weight of the hood. This ceiling plate must be attached to rigid structural framing that is supported in its entirety by the ceiling joists, or to the ceiling joists directly. Do not attach the plate directly to the ceiling with anchors, toggle bolts, etc.

## CAUTION

When cutting or drilling into the wall or ceiling, do not damage electrical wiring and other hidden utilities.

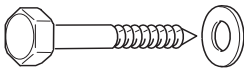


# Installation

## Installation instructions

- See the enclosed installation instruction diagram.
- Please read the "Important Safety Instructions" and Installation instructions before installing this hood.

## Installation accessories



**4 Screws 8 x 60 mm** with  
**4 Washers**

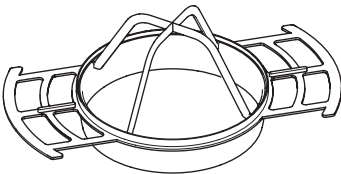
(S10 wall anchors included in the packaging are not for use in USA / CDN)



**2 screws M4 x 8 mm** for adjusting the chimney.



**4 leveling plates** for correcting an uneven ceiling.



**1 exhaust connector**

## Recirculation mode

If site conditions are not suitable for the hood to be used for air extraction, the appliance must be converted for recirculation.

For recirculation mode a conversion kit must be installed, available from Miele.

The conversion kit comes with an Installation manual.

After the hood is installed the charcoal filter must be inserted. See "Cleaning and Care".

### **CAUTION**

To avoid risk of hand or other injury, avoid contact with sharp edges during the assembly and installation process.

**⚠ WARNING**  
**TO REDUCE THE RISK OF**  
**FIRE, ELECTRIC SHOCK, OR**  
**INJURY TO PERSONS,**  
**OBSERVE THE FOLLOWING:**

All electrical work should be performed by a qualified electrician in strict accordance with national regulations (for USA: ANSI-NFPA 70) and local safety regulations. Installation, repairs and other work by unqualified persons could be dangerous. Ensure that power to the appliance is off while installation or repair work is performed.

- Verify that the voltage, load and circuit rating information found on the data plate (located behind the grease filter), match the household electrical supply before installing the hood.

If there is any question concerning the electrical connection of this appliance to your power supply, please consult a licensed electrician or call Miele's Technical Service Department. See back cover for contact information.

**WARNING:**  
**THIS APPLIANCE MUST BE**  
**GROUNDED**

**Important**

To increase security before the machine is installed, it is recommended to install a protective switch (30 mA).

**Important**

The hood must be hard wired accordingly:

Black/Red wire: . . . connect to L1 (live)  
White wire: . . . . connect to N (neutral)  
Green wire: . . connect to GND (ground)

# Air extraction

---

## **WARNING**

### **Danger of toxic fumes.**

**Gas cooking appliances release carbon monoxide that can be harmful or fatal if inhaled.**

**To reduce the risk of fire and to properly exhaust air, the exhaust gases extracted by the hood should be vented outside of the building only.**

**Do not vent exhaust air into spaces within walls or ceilings or in attics, crawl spaces or garages.**

**To reduce the risk of fire, only use metal ductwork.**

Please read and follow the **"IMPORTANT SAFETY INSTRUCTIONS"** to reduce the risk of personal injury. Follow all local building codes when installing the hood.

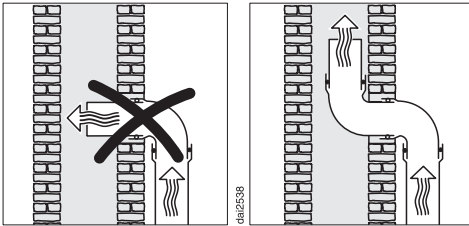
## **Exhaust ducting and connections**

Use smooth or flexible pipework made from approved non-flammable materials for exhaust ducting.

To achieve the most efficient air extraction and quietest noise levels, consider the following:

- The diameter of the ductwork should not be less than 6" (150 mm).
- If flat ducting is used, the cross section must not be smaller than the cross section of the ventilation exhaust.
- The ducting should be as short and straight as possible.
- Use ductwork with a wide radius.
- The exhaust duct must not be bent or compressed.
- Make sure all connections are secure.
- Where the ductwork is horizontal, it must slope away from the hood at least  $\frac{1}{8}$ " per foot (1 cm per meter) to prevent condensation dripping into the appliance.
- If the exhaust is ducted through an outside wall, a Telescopic Wall Vent can be used.





- If the exhaust is ducted into an inactive flue, the air must be expelled parallel to the flow direction of the flue.

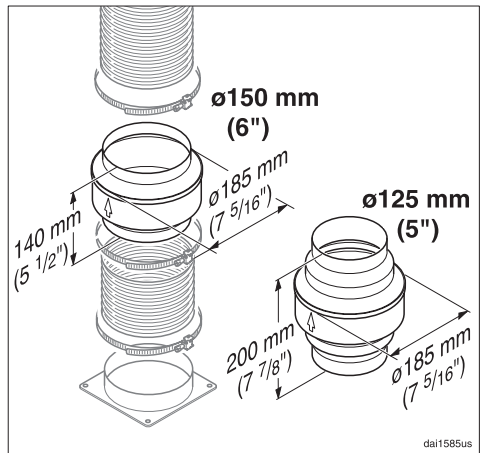
Never connect an exhaust hood to an active chimney, dryer vent, flue, or room venting ductwork. Seek professional advice before connecting an exhaust hood vent to an existing, inactive chimney or vent flue.

## Important

If the ductwork runs through rooms, ceilings, garages, etc. where temperature variations exist, it may need to be insulated to reduce condensation.

## Condensate trap

optional accessory



In some cases, a condensate trap may also be required to collect and evaporate any condensate which may occur. This optional accessory is available for ducts 5" (125 mm) and 6" (150 mm) in diameter.

- When installing a condensate trap, ensure that it is positioned vertically and if possible directly above the exhaust outlet.

## Technical data

---

Total connected load . . . . . 430 W  
fan motor . . . . . 350 W  
lighting . . . . . 4 x 20 W  
Power supply voltage . . . . . 120 V  
Frequency . . . . . 60 Hz  
Circuit rating . . . . . 15 A  
Weight . . . . . 93.9 lbs (42.6 kg)



**Please have the model and serial number of your appliance available before contacting Technical Service.**

---



## **U.S.A. Miele, Inc.**

### **National Headquarters**

9 Independence Way  
Princeton, NJ 08540  
Phone: 800-843-7231  
609-419-9898  
Fax: 609-419-4298  
[www.mieleusa.com](http://www.mieleusa.com)

### **Technical Service & Support Nationwide**

Phone: 800-999-1360  
Fax: 888-586-8056

[TechnicalService@mieleusa.com](mailto:TechnicalService@mieleusa.com)

## **Canada Miele Limited**

### **Headquarters and Showroom**

161 Four Valley Drive  
Vaughan, ON L4K 4V8  
Phone: 800-643-5381  
905-660-9936  
Fax: 905-532-2290  
[www.miele.ca](http://www.miele.ca)  
[professional@miele.ca](mailto:professional@miele.ca)  
(commercial enquiries)

### **MieleCare National Service**

Phone: 800-565-6435  
905-532-2272  
Fax: 905-532-2292  
[customercare@miele.ca](mailto:customercare@miele.ca)  
(general and technical enquiries)

## **Germany**

Miele & Cie. KG  
Carl-Miele-Straße 29  
33332 Gütersloh



## Free Manuals Download Website

<http://myh66.com>

<http://usermanuals.us>

<http://www.somanuals.com>

<http://www.4manuals.cc>

<http://www.manual-lib.com>

<http://www.404manual.com>

<http://www.luxmanual.com>

<http://aubethermostatmanual.com>

Golf course search by state

<http://golfingnear.com>

Email search by domain

<http://emailbydomain.com>

Auto manuals search

<http://auto.somanuals.com>

TV manuals search

<http://tv.somanuals.com>