

Miele

Operating and Installation instructions



Rangehood

DA 428-4, DA 428-4 EXT

DA 429-4, DA 429-4 EXT

To avoid the risk of accidents or damage to the appliance, it is **essential** to read these instructions before it is installed and used for the first time.

en - AU, NZ

M.-Nr. 09 201 520

Contents

Caring for the environment	3
Warning and Safety instructions	4
Guide to the appliance	10
Description of the functions	12
Miele@home	13
Con@ctivity	13
Operation	14
To switch the fan on	14
To select a power level	14
Intensive setting	14
Run-on option	15
To switch the fan off	15
To switch the cooktop lighting on	16
To dim the cooktop lighting	16
To switch the cooktop lighting off	16
Filter operating hours counter	16
Cleaning and care	20
Housing	20
Grease filters	21
Fitting and replacing the charcoal filter	23
Changing a halogen lamp	24
After sales service	25
Appliance dimensions	26
Safety distance (S)	27
Installation	28
Assembly parts	28
Installation instructions	30
Protective foil	30
Dismantling	30
Connection for air extraction	31
Condensate trap	32
Silencer	33
Electrical connection	34
Operation with control module DSM 400	35
Potential free connection	35
Connection to a light switch	35
Technical data	36

Disposal of the packing material

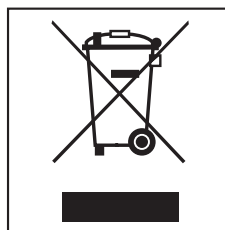
The transport and protective packing has been selected from materials which are environmentally friendly for disposal and can normally be recycled.

Ensure that any plastic wrappings, bags, etc. are disposed of safely and kept out of the reach of babies and young children. Danger of suffocation.

Rather than just throwing these materials away, please ensure they are offered for recycling.

Disposal of your old appliance or machine

Electrical and electronic appliances / machines often contain materials which, if handled or disposed of incorrectly, could be potentially hazardous to human health and to the environment. They are, however, essential for the correct functioning of your appliance or machine. Therefore, please do not dispose of your old machine or appliance with your household waste.



Please dispose of it at your local community waste collection / recycling centre and ensure that it presents no danger to children while being stored for disposal.

It should be unplugged or disconnected from the mains electricity supply by a competent person.

The plug must be rendered useless and the cable cut off directly behind the appliance or the machine to prevent misuse.

Warning and Safety instructions

This appliance complies with all relevant local and national safety requirements. Inappropriate use can, however, lead to personal injury and damage to property.

To avoid the risk of accidents and damage to the appliance, please read these instructions carefully before using it for the first time. They contain important information on the safety, installation, use and maintenance of the appliance.

Keep these instructions in a safe place and ensure that all users are familiar with the contents. Pass them on to any future owner of the appliance.

Correct application

▶ This rangehood is designed for domestic use and for use in similar environments by guests in hotel or motel rooms, bed & breakfasts and other typical living quarters. This does not include common/shared facilities or commercial facilities within hotels, motels or bed & breakfasts.

▶ It must only be used to extract vapours and remove odours from cooking.

▶ This appliance is not suitable for outdoor use.

Any other usage is at the owner's risk. Miele cannot be held liable for damage resulting from incorrect or improper use or operation.

▶ This appliance is not intended for use by persons (including children) with reduced physical, sensory or mental capabilities, or lack of experience or knowledge, unless they have been given supervision or instruction concerning its use by a person responsible for their safety.

Safety with children

▶ This appliance is only intended for use by adults who have read these instructions. This appliance is not a toy! To avoid the risk of injury, keep children well away and do not allow them to play with it or to use the controls. They will not understand the potential dangers posed by it. They should be supervised whenever you are working in the kitchen.

▶ Older children may use the rangehood only when its operation has been clearly explained to them and they are able to use it safely. They must be aware of the potential dangers caused by incorrect operation.

▶ Please be aware that on rangehoods with halogen lighting, the lamps will get very hot during use and remain hot for some time after switching off. To safeguard against burning, keep children well away from the lamps at all times.

Technical safety

▶ Before installation, check the rangehood for visible signs of damage. Do not install and use a damaged appliance. A damaged appliance is dangerous.

▶ Before connecting the appliance to the mains supply, make sure that the voltage and frequency details given on the data plate correspond to the on-site electricity supply, otherwise the appliance could be damaged. Consult a qualified electrician if in any doubt.

▶ The electrical safety of this appliance can only be guaranteed when continuity is complete between the appliance and an effective earthing system which complies with current local and national safety regulations. It is most important that this basic safety requirement is present and tested regularly and, where there is any doubt, the household wiring system should be inspected by a qualified electrician. The manufacturer cannot be held liable for the consequences of an inadequate earthing system (e.g. electric shock).

▶ For safety reasons, this appliance may only be used when it has been fully installed.

▶ Only open the housing as described in the instructions given in the installation sheet and in the Cleaning and care section of this booklet. Under no circumstances should any other parts of the housing be opened. Tampering with electrical connections or components and mechanical parts is highly dangerous to the user, and can cause operational faults.

▶ Installation, maintenance and repairs may only be carried out by a suitably qualified and competent person in strict accordance with current national and local safety regulations. Repairs and other work by unqualified persons could be dangerous. The manufacturer cannot be held liable for unauthorised work.

▶ Faulty components must only be replaced by genuine Miele original parts. The manufacturer can only guarantee the safety of the appliance when Miele replacement parts are used.

▶ During installation, maintenance and repair work, the appliance must be disconnected from the mains electricity supply. It is only completely isolated from the electricity supply when:

- it is switched off at the mains fuse,
- the screw-out fuse is removed (in countries where this is applicable),
- it is switched off at the wall socket and the plug is withdrawn from the socket, or it is switched off at the isolator.

If the appliance is connected via a plug: Do not pull the mains connection cable but the mains plug to disconnect your appliance from the mains electricity supply.

Warning and Safety instructions

▶ Do not connect the appliance to the mains electricity supply via a multi-socket unit or an extension lead. These do not guarantee the required safety of the appliance (e.g. danger of overheating).

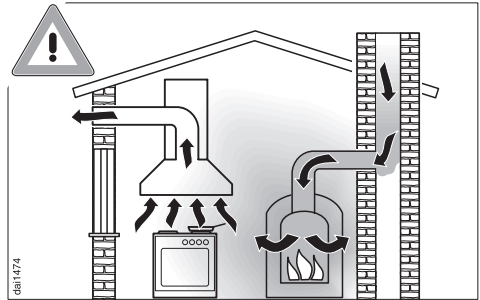
▶ For appliances with an external fan motor fitted (...EXT models), the connection of the two units must be made using the connection cable and the plug connectors. These models may only be combined with a Miele external motor.

▶ This rangehood must not be installed and operated in mobile installations (e.g. on a ship).

▶ In areas which may be subject to infestation by cockroaches or other vermin, pay particular attention to keeping the appliance and its surroundings in a clean condition at all times. Any damage which may be caused by cockroaches or other vermin will not be covered by the warranty.

Using at the same time as other heating appliances that depend on the air from the room

Warning - danger of toxic fumes



▶ Great care should be taken when using the rangehood at the same time and in the same room or area of the house as another heating appliance which depends on the air in the room. Such appliances include gas, oil, wood or coal-fired boilers and heaters, continuous flow or other water heaters, gas cooktops or ovens which draw air in from the room and duct exhaust gases out through a chimney or extraction ducting.

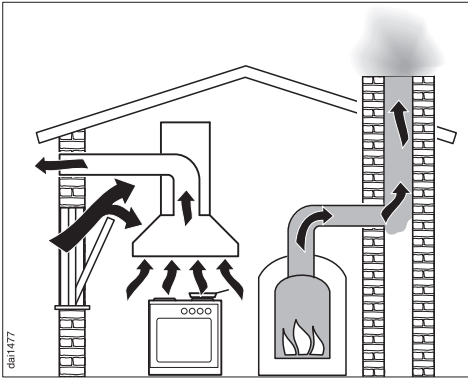
When used in extraction mode, with or without an external motor fitted, the appliance draws air in from the room in which it is installed **and** from neighbouring rooms.

If there is insufficient air, an underpressure will occur. The heating appliance may be starved of oxygen, impairing combustion.


Harmful gases could be drawn out of the chimney or extraction ducting back into the room, with potentially fatal consequences.

Warning and Safety instructions

In order to ensure safe operation, and to prevent gases given off by the heating appliances from being drawn back into the room when the extractor and the heater are in operation simultaneously, an underpressure in the room of 0.04 mbar (4 pa) is the maximum permissible.



Ventilation can be maintained by air inlets which cannot be blocked, in windows, doors and outside wall vents, or by other technical measures, such as ensuring that the extractor can only be switched on when the heating appliance is switched off or vice versa. A ventilation brick alone is not generally sufficient to ensure safe ventilation.

 The overall ventilation condition of the dwelling must be taken into account. If in any doubt, the advice of a competent builder must be sought.

If the rangehood is being operated in recirculation mode, the above restrictions do not apply.

Warning and Safety instructions

Correct use

▶ Never use an open flame beneath the rangehood. To avoid the danger of fire, do not flambé or grill over an open flame.

When switched on, the rangehood could draw flames into the filter. Fat particles drawn into the rangehood present a fire hazard.

▶ When using the rangehood over a gas cooktop, ensure that any burners in use are always covered by a pan. Switch the cooking zone off when a pan is removed, even for a short time. Regulate the flame so that it does not burn up the sides of the pan. Do not allow the pans to overheat excessively (e.g. when using a wok). The rangehood can become damaged when exposed to excessive heat.

▶ Always switch the rangehood on when a cooking zone is in use, otherwise condensation may collect in the hood, which could cause corrosion.

▶ When cooking with oil or fat, chip pans and deep fat fryers etc., do not leave the pans unattended. Never leave an open grill unattended when grilling. Overheated oil and fat can ignite and could set the rangehood on fire.

▶ Do not use the rangehood without the filters in place. This way you will avoid the risk of grease and dirt getting into the appliance and hindering its smooth operation.

▶ The filters should be regularly cleaned or changed as appropriate. Saturated filters are a fire hazard. See "Cleaning and care".

▶ The rangehood can get very hot during cooking due to heat rising from the cooktop. Do not touch the housing or the grease filters until the rangehood has cooled down.

▶ Do not use a steam cleaner to clean this appliance. Pressurised steam could reach the electrical components and cause a short circuit.

Warning and Safety instructions

Correct installation

▶ Refer to the rangehood or cooktop manufacturer's instructions as to whether a rangehood may be operated above the cooktop.

▶ The minimum safety distances between the top of the cooktop and the bottom of the rangehood given in the "Appliance dimensions" section of this booklet must be maintained, unless the cooktop manufacturer states that a greater safety distance is required.

If more than one cooking appliance is fitted beneath the rangehood, and they have different minimum safety distances to the rangehood, select the greater distance.

▶ Safety regulations prohibit the fitting of a rangehood over solid fuel stoves.

▶ All ducting, pipework and fittings must be of non-flammable material. These can be obtained from Miele or from builders' merchants.

▶ The appliance must not be connected to a chimney or vent flue which is in use. Neither should it be connected to ducting which ventilates rooms with fireplaces.

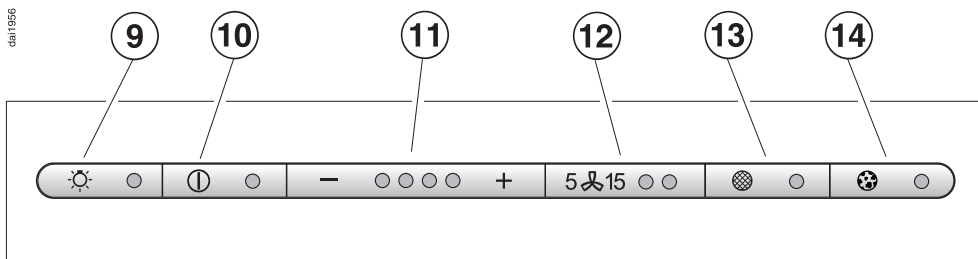
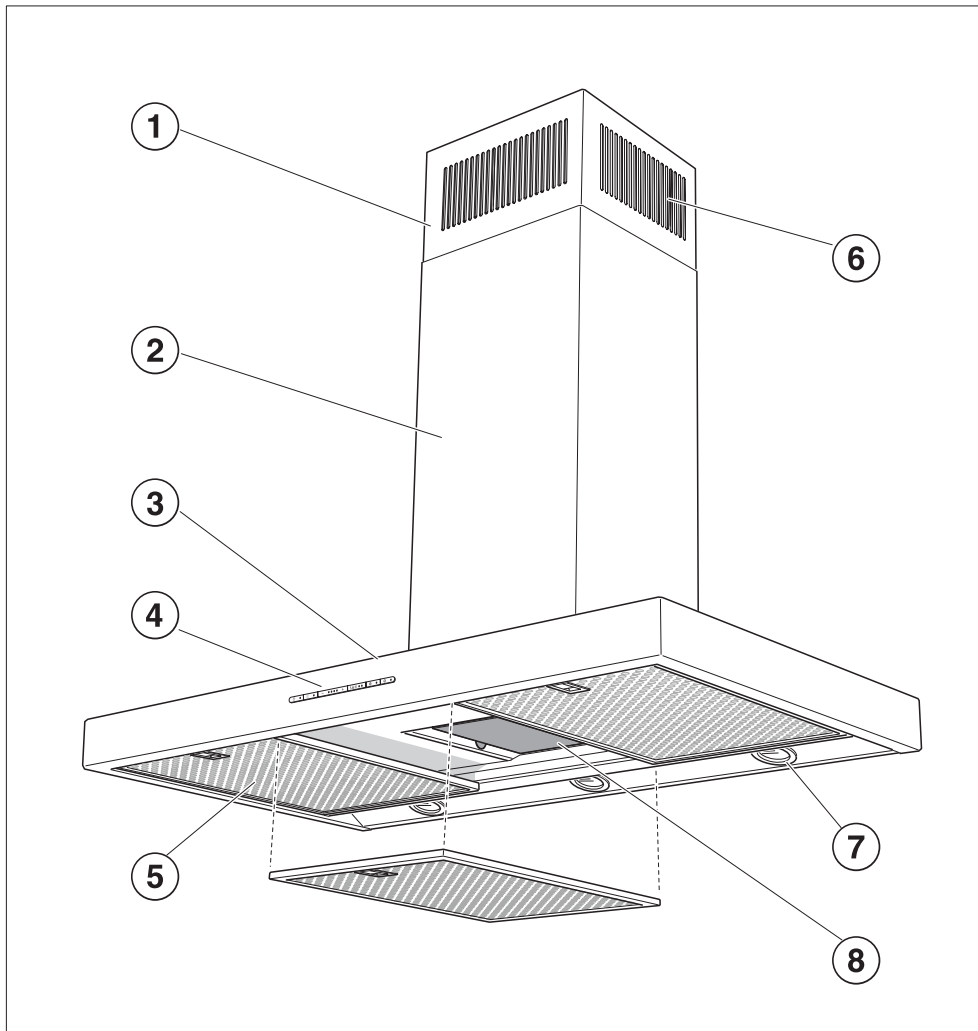
▶ If exhaust air is to be extracted into a chimney or ventilation duct no longer used for other purposes, seek professional advice.

Accessories

▶ Only use genuine Miele spare parts and accessories with this rangehood. If spare parts or accessories from other manufacturers are used, this will invalidate the warranty, and Miele cannot accept liability.

The manufacturer cannot be held liable for damage caused by non-compliance with these Warning and Safety instructions.

Guide to the appliance



da11956

① Telescopic extension piece

② Tower

③ Canopy

④ Control panel

⑤ Grease filters

⑥ Recirculation grilles

(only for recirculation mode)

⑦ Cooktop lighting

⑧ Charcoal filter

(special accessory for recirculation mode)

⑨ Touch control for the cooktop lighting

This control switches the lighting on and off, and is also a dimmer switch.

⑩ Touch control for the fan

⑪ Touch controls to select the fan power level

⑫ Touch control for the run-on option

To activate the run-on option. The fan can be set to switch off automatically after either 5 or 15 minutes.

⑬ Touch control for grease filters

The indicator lamp for the grease filters lights up when the grease filters need to be cleaned.

The touch control is used to reset the operating hours counter every time the grease filters are cleaned (see "Cleaning and care").

It can also be used to check and alter the operating hours counter.

⑭ Touch control for the charcoal filter

The indicator lamp for the charcoal filter lights up when the charcoal filter used in recirculation mode needs to be replaced. For this to happen, the operating hours counter needs to be activated before the appliance is used for the first time.

The touch control is used to reset the operating hours counter every time the charcoal filter is replaced (see "Cleaning and care").

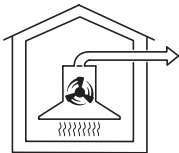
It can also be used to check and alter the operating hours counter.

For information about using the appliance, see "Operation".

Description of the functions

The rangehood works with

... air extraction:



The air is drawn in and cleaned by the grease filters and directed outside.

If the on-site ventilation system does not have a non-return flap, the **non-return flap** supplied with the appliance must be fitted in the exhaust socket in the motor unit.

Having a non-return flap fitted in the ducting ensures that air, once ducted to the outside, cannot get back into the room again.

The flap is closed when the rangehood is switched off.

When the rangehood is switched on, the non-return flap opens for the cooking vapours to be blown directly outside.

Please note, the performance of this rangehood hinges greatly on the installed ducting to vent the vapours. Poor choice of ducting results in poor rangehood performance. For ducting recommendations, please refer to the relevant section in these operating instructions or contact a specialised installer.

... air recirculation:

(available as an optional extra with a conversion kit and charcoal filter: see "Technical Data")

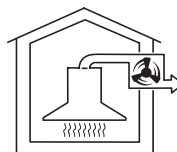


The air is drawn in and cleaned first by the grease filter and then by a **charcoal filter**. The cleaned air is then recirculated back into the kitchen through grilles in the top of the rangehood extension piece.

Before using the rangehood in recirculation mode, ensure that the charcoal filter is in place. See "Cleaning and care".

... an external motor:

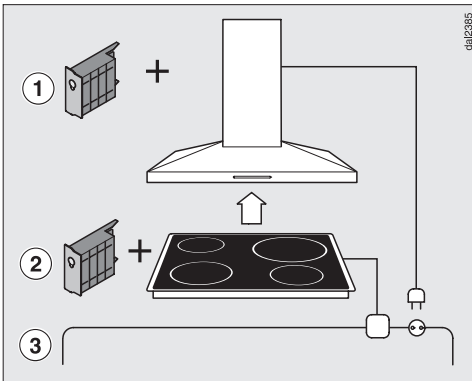
(Models ...EXT)



The EXT models are designed to be connected to an external motor located outside the room.

The external motor is connected to the rangehood by means of a control cable, and is operated by the controls on the rangehood.

Con@ctivity



This rangehood is communication enabled.

Communication module XKM 2000 DA ①, available as an optional extra, enables the operation of the rangehood to be automatically controlled by the operating status of a Miele electric cooktop with onset controls.

For communication to take place, the cooktop must be fitted with communication module ②.

The cooktop transmits information about its operating status to the rangehood via the household power supply (Powerline) ③.

- When the cooktop is switched on, the cooktop lighting and the rangehood fan also switch on.
- During cooking the rangehood automatically sets the fan's power level according to the number of cooking zones in operation and their power levels.
- After switching the cooktop off, the fan and the cooktop lighting will switch off automatically after a period of time.

For detailed information about this function, please read the separate instruction booklet supplied with the XKM 2000 DA communication module.

The communication module is fitted to the rangehood in the area of the fan and is connected to the controls of the rangehood.

This module must be installed by a Miele service technician or suitably qualified electrician.

Operation

To switch the fan on



- Press the On/Off touch control.

The fan runs at power level "II".
The indicator lamp will come on.

To select a power level



- Use the - / + controls to select the power level required.

+ control = higher setting

- control = lower setting

Depending on the intensity of the cooking vapours, levels I to III are usually sufficient for normal cooking.

Intensive setting

For short periods of cooking food with intensive vapours and a strong aroma, e.g. when searing meat, you may wish to select the Intensive Setting "IV".

Automatic switch-off of the Intensive setting

You can set the Intensive setting so that it only runs for 10 minutes before reverting automatically to level III.

- To set this option, both the fan and the cooktop lighting must be switched off.



- Press the run-on option touch control for approximately 10 seconds. The first fan setting indicator will light up.

- Then press in turn,



- the touch control for the lighting,



- the - touch control, and



- finally the touch control for the lighting again.



The indicator lamps for fan power levels I and IV will flash if the automatic switch-off for the Intensive setting is not activated.

- Press the + touch control to activate the automatic switch-off.

The indicator lamps for fan power levels I and IV will now light up constantly.

Press the - control to deactivate the automatic switch-off function.



- Press the run-on option control to confirm your selection.

If you do not confirm your selection within 4 minutes, the rangehood will automatically revert to the original setting.

Run-on option

It is advisable to run the fan for a few minutes after cooking is finished to neutralise any lingering odours in the air, whether you are using air extraction or recirculation mode.

The fan can be set to switch off automatically after either 5 or 15 minutes:



- After cooking is finished, press the run-on option touch control whilst the fan is still running.

- Press once = The fan will switch off after 5 minutes (left-hand indicator lamp).

- Press twice = The fan will switch off after 15 minutes (right-hand indicator lamp).

To switch off the run-on option, press the run-on option control again. The appliance will then not switch off automatically.

To switch the fan off



- Press the On/Off touch control to switch the fan off.

The indicator lamp will go out.

Operation

To switch the cooktop lighting on

The cooktop lighting can be switched on and off independently of the fan.



- Briefly press the lighting control to switch on the cooktop lighting.

The indicator lamp will come on.

The cooktop lighting will switch on at maximum brightness.

To dim the cooktop lighting

The brightness of the lighting can be adjusted.

- With the lighting switched on, press and hold the cooktop lighting control in. The brightness will gradually dim until you release the control.
- Press the touch control in again to increase the brightness to the level required, and then release it.

If you keep the control pressed in, the light will continually change between bright and dim.

To switch the cooktop lighting off

- Press the cooktop lighting touch control briefly to switch the lighting off.

The indicator lamp will go out.

Safety cut-out

Should the rangehood be left on, the fan will switch off automatically after 10 hours. The lighting will remain on.



- Pressing the On/Off control will switch the fan back on again.

Filter operating hours counter

The number of hours the appliance has been in operation is stored in memory.

The operating hours counter tells you when the grease filters or charcoal filter need to be cleaned or replaced.

Resetting the operating hours counter for the grease filters

After 30 hours of operation (or another time if the operating hours counter has been altered), the grease filter indicator lamp will light up. The grease filters must then be cleaned.

Afterwards, the filter operating hours counter must be reset.



- To do this, press and hold the grease filter touch control in for original setting 3 seconds while the fan is switched on.

The indicator lamp for the touch control will go out.

Reading the operating hours counter for the grease filters

To check the percentage of time set already used:



- Press the On/Off touch control to switch the fan on.



- Press and hold the grease filter touch control.



One or more of the indicator lamps for the - / + touch controls will flash.

The number of flashing lamps shows the percentage of the operating time which has already been used up.

1 lamp	=	25 %
2 lamps	=	50 %
3 lamps	=	75 %
4 lamps	=	100 %

The number of operating hours used remains in the memory, even when the appliance is switched off or there is a power cut.

Altering the operating hours counter for the grease filters

The operating hours counter for the grease filters is set at 30 hours. This can be lengthened or shortened to suit the type of cooking you do. You can choose 20, 30, 40 or 50 hours.

- Select a short time if you roast or fry a lot.
- If you use very little fat for cooking, select a longer time.
- If you only cook occasionally, we recommend that you still select a short time, because grease which has built up gradually over a long period of time will harden on the grease filters and make cleaning more difficult.



- Press the On/Off touch control to switch the fan off.



- Press the run-on option touch control and the grease filter touch control at the same time.

The indicator lamp for the grease filter touch control and one of the - / + indicator lamps will flash.

Operation



The - / + control lamps show the time which has been set:

- 1st lamp from the left = 20 hours
- 2nd lamp from the left = 30 hours
- 3rd lamp from the left = 40 hours
- 4th lamp from the left = 50 hours

- Use the - / + controls to select the desired time.



- Confirm the selection by pressing the grease filter touch control.

All the indicator lamps will go out.

If you do not confirm your selection within 4 minutes, the rangehood will automatically revert to the original setting.

Activating and altering the operating hours counter for the charcoal filter

(in recirculation mode)

The charcoal filter is needed for recirculation mode.

On delivery, the operating hours counter for the charcoal filter is **switched off**.

For recirculation mode, the operating hours counter needs to be set to suit the type of cooking you do:



- Press the On/Off touch control to switch the fan off.



- Press the run-on option and the charcoal filter touch controls at the same time.

The indicator lamp for the charcoal filter control and one of the lamps above the - / + controls will flash.



The - / + control lamps show the time which has been set:

- 1st lamp from the left = 120 hours
- 2nd lamp from the left = 180 hours
- 3rd lamp from the left = 240 hours
- 4th lamp from the left = deactivated

- Use the – / + controls to select the desired time.



- Confirm the selection by pressing the charcoal filter touch control.

All the indicator lamps will go out.

If you do not confirm your selection within 4 minutes, the rangehood will automatically revert to the original setting.

Resetting the operating hours counter for the charcoal filter



The indicator lamp for the charcoal filter control will light up after the rangehood has operated for the number of hours set. The charcoal filter must then be replaced with a new one.

Afterwards, the filter operating hours counter must be reset.

- Press and hold the charcoal filter touch control for about 3 seconds while the fan is switched on.

The indicator lamp for the charcoal filter touch control will go out.

Reading the operating hours counter for the charcoal filter

To check the percentage of time set already used:



- Press the On/Off touch control to switch the fan on.



- Press and hold in the charcoal filter touch control.




One or more of the indicator lamps for the – / + touch controls will flash.

The number of flashing lamps shows the percentage of the operating time which has already been used up.


1 lamp	=	25 %
2 lamps	=	50 %
3 lamps	=	75 %
4 lamps	=	100 %

The number of operating hours used remains in the memory, even when the appliance is switched off or there is a power cut.

Cleaning and care

 Before carrying out any cleaning or maintenance work, disconnect the rangehood from the mains supply. Ensure that:

- it is switched off at the wall socket and the plug withdrawn, or
- the mains fuse is withdrawn, or
- the screw-out fuse is removed (in countries where this is applicable).

 Exercise caution when changing halogen lamps. They get very hot during use, and remain hot for some time after being switched off. Do not touch the surface directly when changing a lamp, as grease particles from your fingers will adhere to the surface and damage it. The halogen lamps can also be damaged if water is used to clean them. Wait several minutes after switching off before beginning cleaning.

A range of Miele branded cleaning and conditioning agents are available to order through your Miele Chartered Agent, from Miele or via the internet at www.miele-shop.com.

Housing

General notes

The surfaces and controls are susceptible to scratches and abrasions. Please observe the following cleaning instructions.

- All external surfaces and controls can be cleaned using the Original Miele all purpose microfibre cloth, or with water and a small amount of washing-up liquid applied with a well wrung-out soft sponge or cloth.
- Wipe the surfaces dry using a soft cloth.

Do not use too much water when cleaning the controls. Water could penetrate into the electronics and cause damage.

Do not use:

- cleaning agents containing soda, acids, chlorides or solvents,
- abrasive cleaning agents e.g. powder cleaners or cream cleaners, and abrasive sponges, e.g. pot scourers or sponges which have been previously used with abrasive cleaning agents. These will damage the surface material.

Important for appliances with stainless steel housing

(This information does not apply to the controls)

Stainless steel surfaces can be cleaned using the Original Miele all purpose microfibre cloth, or with a proprietary non-abrasive cleaning agent designed specifically for use on stainless steel.

To help prevent re-soiling, a proprietary conditioning agent for stainless steel can also be used. Follow the manufacturer's instructions on the packaging.

Important for appliances with special finish (Titanium and special order finishes)

Please follow the information given in "General notes" earlier in this section. However, please be aware that it is very difficult to clean this type of surface without causing minor marks to the surface material.

This can become particularly noticeable with darker colours and if there is halogen lighting in the kitchen.

Controls

The controls may suffer discolouration or damage if soiling is left on them for too long. Remove soiling straight away.

Please observe the "General notes" on cleaning.


Do not use stainless steel cleaning agents on the controls.

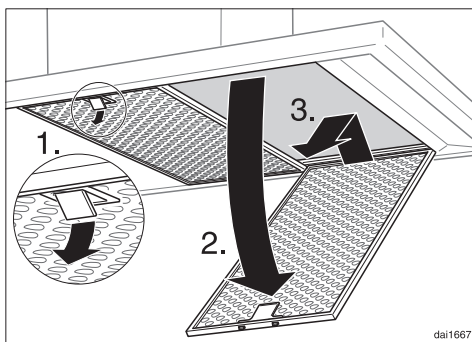
Grease filters

The re-usable metal grease filters in the appliance remove solid particles (grease, dust, etc.) from the kitchen vapours, preventing soiling of the rangehood.



The grease filters should be cleaned regularly (at least every 3-4 weeks) to avoid a build-up of grease but always clean immediately if the grease filter touch control lamp comes on.

 An oversaturated filter is a fire hazard.



- To take out the grease filters, release the locking clip on the filter, lower the filter 45°, unhook it at the back and remove it.

To avoid damaging the filter or the cooktop below, make sure you hold the filter securely at all times when handling it.

Cleaning and care

Cleaning the grease filters by hand

- Clean the filters with a soft nylon brush in a mild solution of hot water and a small amount of washing-up liquid.

Do not use:

- cleaning agents containing descaling agents,
- powder cleaners, cream cleaners or abrasive all-purpose cleaning agents,
- oven sprays.

Cleaning the grease filters in the dishwasher

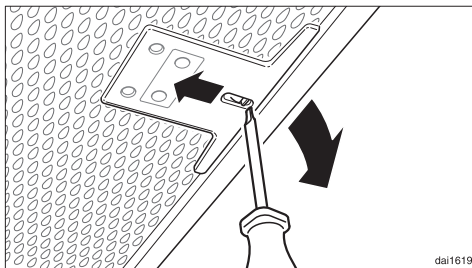
- Place the filters as upright as possible in the lower basket, with the short sides upright, and wash on a 65°C programme, ensuring the spray arm is not obstructed. If a Miele dishwasher is being used, select the Sensor wash programme.
- Use a mild dishwasher detergent.

Depending on the cleaning agent used, cleaning the filters in a dishwasher can cause permanent discolouration to the surface. However, this will not affect the functioning of the filters in any way.

- After cleaning, leave the filters to dry on an absorbent surface before replacing them.

When removing the filters for cleaning, also clean off any residues of oil or fat from the now accessible housing to prevent the risk of these catching fire.

When putting the grease filters back in position, ensure that the locking clips are facing down towards the cooktop.



If the grease filters are inadvertently replaced upside down, insert a small screwdriver blade into the slits to disengage the clip.

- After replacing the grease filters, press the grease filter touch control for approximately 3 seconds to re-set the operating hours counter. The indicator lamp will go out.

If the grease filters are cleaned before the operating hours counter has reached its maximum, the grease filter touch control should be pressed for approximately 6 seconds to reset the counter.

Fitting and replacing the charcoal filter

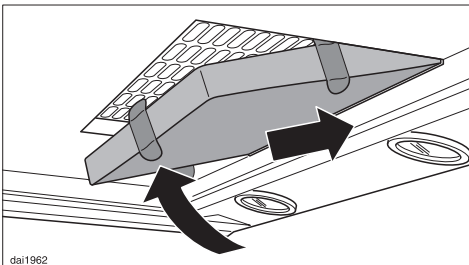
If the rangehood is connected for recirculation, a charcoal filter must be inserted in addition to the grease filters. It is designed to absorb cooking odours.

It is fitted in the canopy above the grease filters.

New filters can be purchased from your Miele Chartered Agent or from Miele.

See back cover for contact details, and "Technical data" for the model number of the filter.

- Before fitting or replacing a charcoal filter, the grease filters must first be taken out (see previous section for instructions on how to do this).
- Take the charcoal filter out of its packaging.



- Insert the charcoal filter into the back of the charcoal filter frame, then push up into the frame at the front.

When fitting for the first time:

- Set the operating hours counter to suit your requirements (see "Operation").

Always replace the charcoal filter immediately if



- the indicator lamp for the charcoal filter touch control lights up,
- or
- if it is no longer effective in absorbing kitchen odours.

It should, however, be replaced at least every 6 months.

Used charcoal filters can be disposed of with the normal household waste.


- After fitting the new charcoal filter, press the charcoal filter touch control for approximately 3 seconds to re-set the operating hours counter. The indicator lamp will go out.

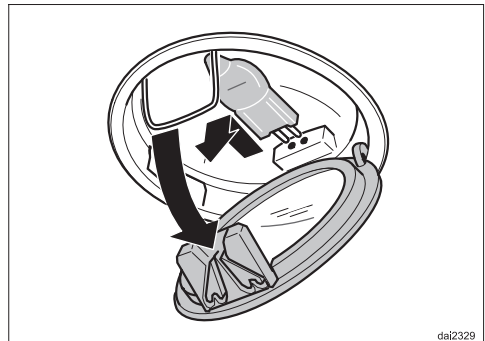
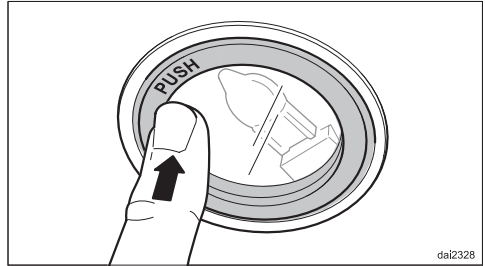
If a charcoal filter is replaced before the operating hours counter has reached its maximum, the charcoal filter touch control should be pressed for approximately 6 seconds to reset the counter.

Cleaning and care

Changing a halogen lamp

- Before any cleaning or maintenance work, disconnect the rangehood from the mains supply. Ensure that:
 - it is switched off at the isolator, or
 - it is switched off at the wall socket and the plug is withdrawn, or
 - the mains fuse is disconnected, or
 - the screw-out fuse is removed (in countries where this is applicable).

 Exercise caution when changing halogen lamps. They get very hot during use and remain hot for some time after being switched off. Let them cool down before you change them.



- To access the halogen lamp, push the lamp cover gently upwards. The cover will open and can be pulled down.
- Pull the old halogen lamp out of the connection socket.
- Using a cloth or glove, push the new lamp (12 V, 20 W, G4 cap) carefully into the connection socket. Please follow the manufacturer's instructions.
- Push the cover back up and make sure it clicks into place.

In the event of a fault which you cannot correct yourself, please contact:

– your Miele Chartered Agent or

or

– Miele

You will find the telephone number and address of Miele on the back cover of the manual.

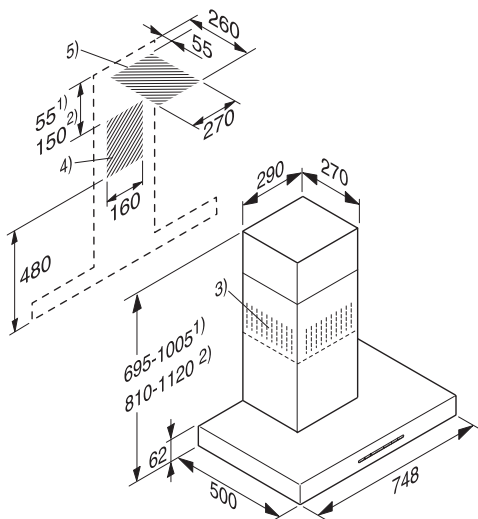
Please quote the model and serial number when contacting Miele. These are shown on the data plate which is visible when the grease filters are removed.

Warranty

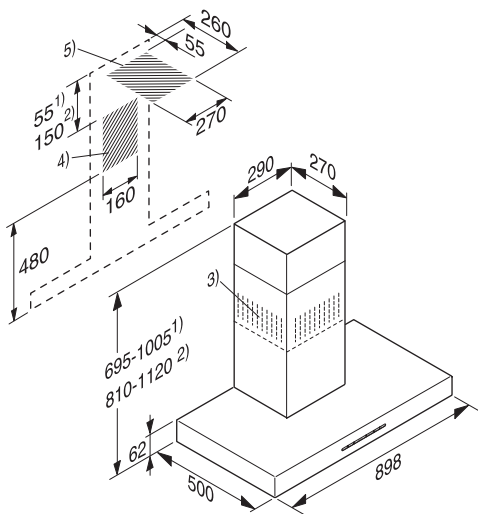
The warranty for this appliance is 2 years.

For further information, please refer to your warranty booklet.

Appliance dimensions



DA 428-4



DA 429-4

- 1) Extraction
 - 2) Recirculation
 - 3) Ventilation grille positioned at the top for recirculation
 - 4) and 5):
(5 is not required for recirculation mode rangehoods)
- The shaded area represents the wall or ceiling area for the vent cut-out, for fitting the connection socket and on EXT models for feeding the connection cable through to the external motor. For recirculation mode, only a connection socket needs to be fitted.

Connection for air extraction

Ø 150 mm (recommended), or Ø 125 mm with reducing collar. Please note, using 125 mm ducting limits through put and thus rangehood performance.

Safety distance (S)

When planning the installation height of your rangehood, the **minimum** safety distance between the top of a cooker or cooktop and the bottom of the rangehood are as follows, unless a greater distance is specified by the manufacturer of your cooking appliance:

600 mm above electric cooktops

650 mm above an open grill or deep fat fryer,

650 mm above gas cooktops.

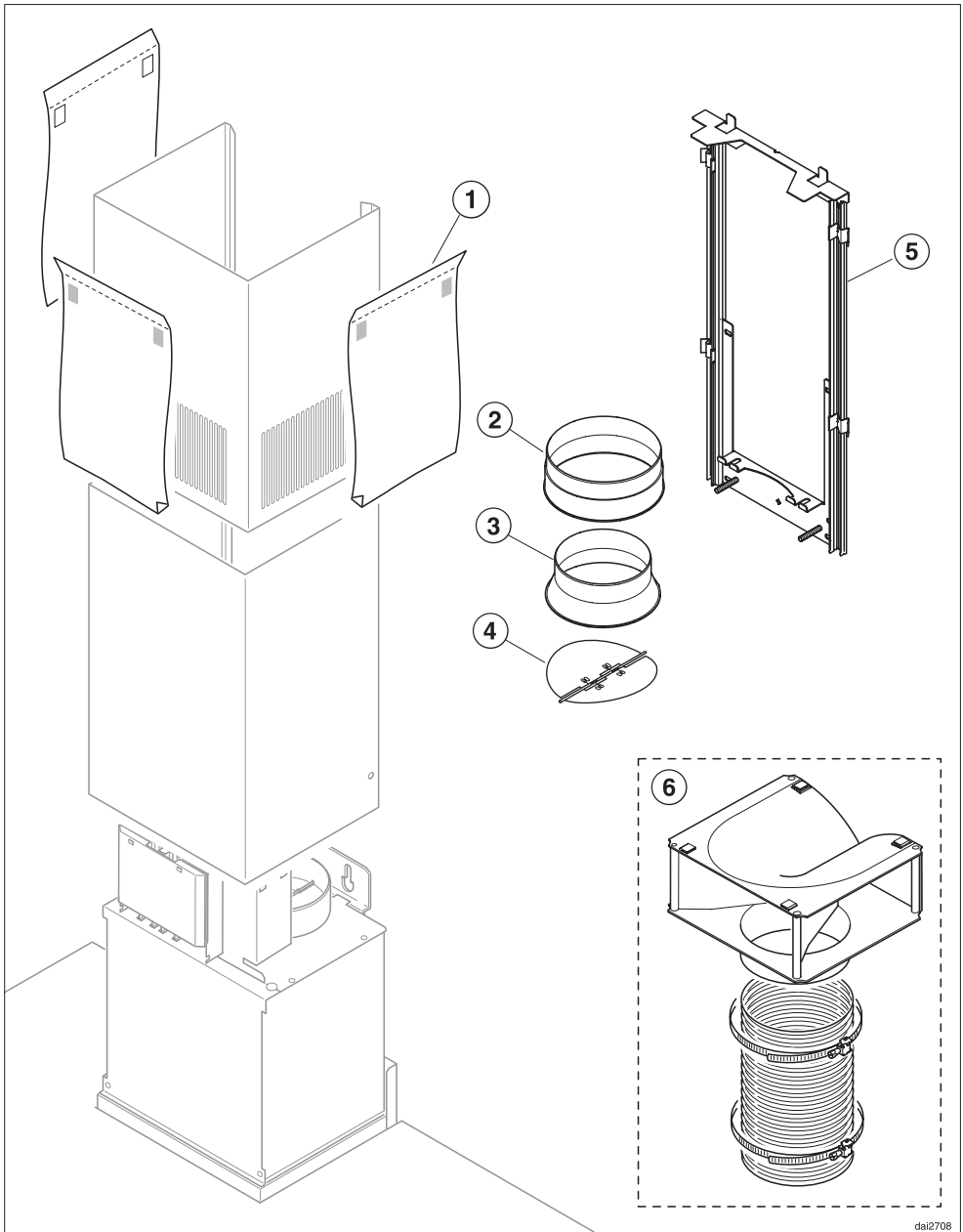
If this rangehood is installed above a Miele Wok CS 1028 CombiSet appliance, a minimum safety distance of 760 mm must be maintained between the burner and the lower edge of the rangehood.

See "Warning and Safety" instructions for further information.

- When deciding on the safety distance, please note that 650 mm may be preferable above electric cooktops to give more working space.
- Account should also be taken of the height of the person who will be using the rangehood most often. They should have sufficient space to work comfortably at the cooktop, and be able to reach the rangehood controls with ease.
- If positioned too high, extraction will be inefficient.
- The height of the cooking appliance below must be taken into account when planning the installation height of the rangehood.

Installation

Assembly parts




dsl2708

- ① **3 protective sheets**
for use when fitting the tower.
- ② **1 exhaust connection** for exhaust ducting \varnothing 150 mm.
- ③ **1 reducing collar**
for exhaust ducting \varnothing 125 mm.
- ④ **1 non-return flap**
for fitting into the exhaust connection on the motor unit (not needed for recirculation mode)
- ⑤ **Telescopic wall bracket**
for securing the rangehood to the wall.
- ⑥ **Conversion kit for recirculation mode**
including directional unit and flexible aluminium hose with clips (this is not included, but is available as an optional extra - see Technical Data).



6 screws 5 x 40 mm and
6 x S 8 plugs
for securing the wall bracket.

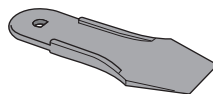
 The screws and plugs are designed for use in solid walls only. For other types of wall construction, alternative fixings will be required. Make sure that the wall is able to take the weight of the rangehood.



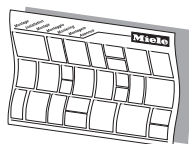
2 x M 6 self-tapping nuts
for securing the appliance.



2 screws 3.9 x 7.5 mm
for securing the tower.



1 lever for dismantling the tower.



Installation instructions

Installation

Before installation, it is important to read the information given on the following pages as well as the "Appliance dimensions" and the "Warning and Safety instructions" at the beginning of this booklet. This is particularly crucial when using the rangehood at the same time as a heating appliance that relies on oxygen from the same room, which could result in the build-up of toxic fumes.

Installation instructions

See enclosed Installation sheet for instructions on how to install this appliance.

Protective foil

(on stainless steel appliances)

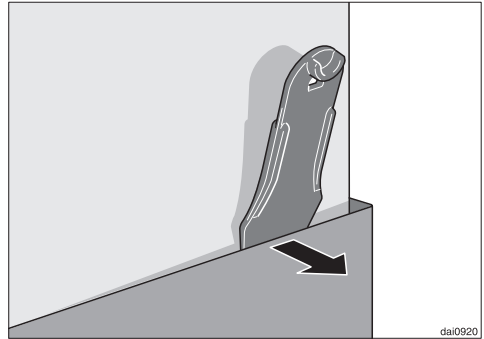
The housing components have protective foil around them to prevent them from transport damage.

Please remove this foil before fitting the housing components. It can be peeled off easily.

Dismantling

Should the appliance ever need to be dismantled, follow the installation instructions in reverse order as described on the installation sheet.

A lever is supplied to assist with the removal of the tower.



- After loosening the fixing screws on the tower, push the lever between the tower and the extension piece to lever the tower out of its fixings.

Connection for air extraction

Important: To avoid the danger of toxic fumes, please observe the Warning and Safety instructions. This is especially crucial when using the rangehood at the same time as another heating appliance which relies on air from the same room. The rangehood should be installed according to local and national building regulations. Seek approval from the building inspector where necessary.

- Only use smooth pipes or flexible hoses made from non-flammable materials for the extraction ducting.
- When using an external motor, make sure that the exhaust ducting is sufficiently rigid. The external motor can cause an underpressure which can result in the exhaust ducting distorting.

To achieve the greatest possible air extraction with the lowest noise level, please note the following:

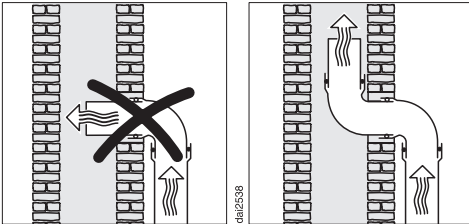
- To ensure efficient air extraction, the diameter of the exhaust ducting should not be less than 150 mm.
- If flat ducting is being used, the cross-sectional area must not be smaller than the cross-sectional area of the exhaust connection.

If exhaust ducting with a diameter of less than 150 mm, or if flat ducting is used, the noise level of the rangehood will increase and extraction will be less efficient.

- All ducting, pipework and fittings must be of non-flammable materials.
- The exhaust ducting should be as short and straight as possible.
- Only use wide radius bends.
- The exhaust ducting should not be kinked or compressed.
- Ensure that all connections are strong and airtight.

Connection for air extraction

- Where ducting is horizontal, it must be laid to slope away at at least 1 cm per metre. This is to ensure that condensate cannot drain back into the rangehood.
- If the exhaust air is to be ducted into the open air, the installation of a telescopic wall vent or roof vent (available as an optional accessory) is recommended.



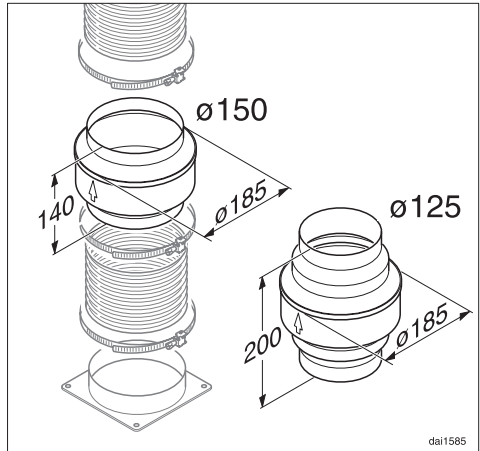
- If the exhaust air is to be ducted into a vent flue, the ducting must be directed in the flow direction of the flue.

Important:

If the exhaust ducting is to run through rooms, ceiling space etc. where there may be great variations in temperature between the different areas, the problem of condensation will need to be addressed. The exhaust ducting will need to be suitably insulated.

Condensate trap

(optional accessory)



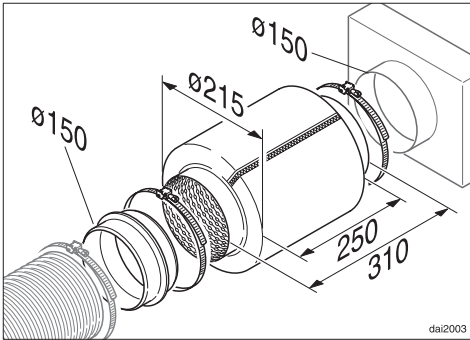
For installations in areas where the exhaust ducting is exposed to cold temperatures, we recommend insulating the exhaust ducting and installing a condensate trap to collect and evaporate any condensate which may occur. Condensate traps are available for Ø 125 mm or Ø 150 mm ducting.

When installing a condensate trap, ensure that it is positioned vertically and, if possible, directly above the exhaust connection. The arrow on the housing indicates the direction of air-flow.

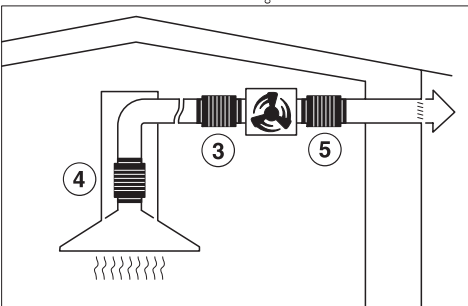
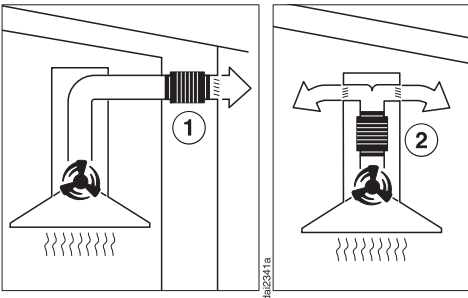
rangehoods designed for use with an external motor (...EXT models) have an integrated condensate trap.

Silencer

(DASD 150, optional accessory)



To achieve even further reductions in noise levels, a special silencer can be fitted in the ducting system.



...with air extraction:

The silencer not only reduces noise from the motor outside the house, but also sounds from outside (e.g. traffic noise).

For this reason, the silencer must be positioned as close as possible to the ducting exit ①.

...in recirculation mode:

The silencer needs to be positioned between the exhaust connection and the deflector ②. Ensure there is adequate space in the tower for fitting it.

...air extraction with external motor:

To minimise noise from the motor in the kitchen, the silencer should be positioned in front of the external motor ③ if possible, or if the ducting is long, above the exhaust connection on the rangehood ④.

In the case of an external motor located inside the house, fitting a silencer behind the external motor ⑤ reduces the noise of the motor outside the house.

In all modes of operation, the most effective noise reductions are achieved if two silencers are fitted one behind the other in the system.

Electrical connection

All electrical work should be undertaken by a suitably qualified and competent person in strict accordance with current national and local safety regulations.

Installation, repairs and other work by unqualified persons could be dangerous, for which the manufacturer cannot be held liable.

Ensure power is not supplied to the appliance until after installation or repair work has been carried out.

Do not connect the appliance to the mains electricity supply by an extension lead. These do not guarantee the required safety of the appliance.

The connection data is given on the data plate.

This is visible when the grease filters have been removed. Ensure that this data matches the household mains supply.

Connection of this appliance should be made via a suitable isolator which complies with national and local safety regulations and the On-Off switch should be easily accessible after the appliance has been built in.

If the switch is not accessible after installation, an additional means of disconnection must be provided for all poles.

For extra safety, it is advisable to install a suitable residual current device (RCD). Contact a qualified electrician for advice.

Important

This appliance is supplied for connection to an AC 230 V single phase 50 Hz supply.

The wires in the mains lead are coloured in accordance with the following code:

Green/yellow	= earth
Blue	= neutral
Brown	= live

WARNING:
THIS APPLIANCE MUST BE
EARTHED

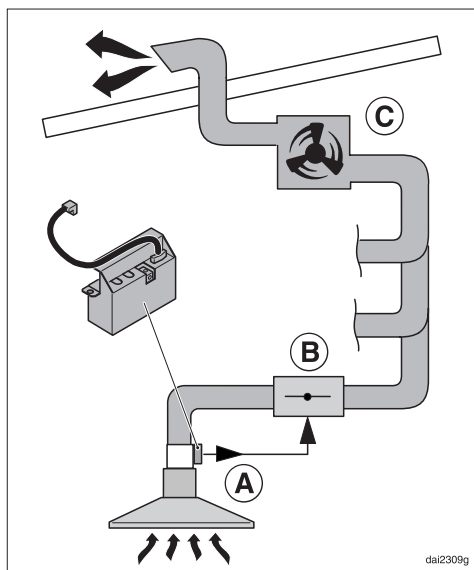
Operation with control module DSM 400

The Miele DSM 400 can be used to combine the rangehood with other components.

It enables the following:

Potential free connection

This is used for controlling another appliance with the help of the rangehood's On/Off button ①.



The potential free contact of the DSM 400 ① can be installed in an ...EXT model, for instance, which is connected to a central extraction system.

The contact can be used to activate a motorised shut-off flap ② which is installed before the central extraction system ③.

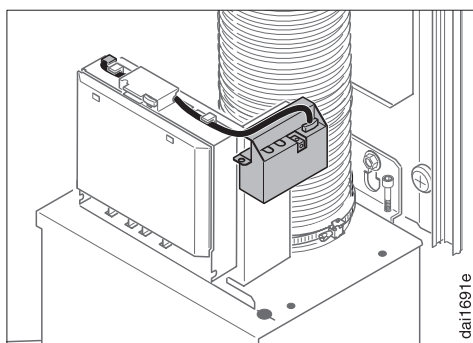
The components of the central extraction system are not supplied as standard by Miele.

If in any doubt, the advice of a competent builder must be sought.

Connection to a light switch

The control module can be used to switch on the cooktop lighting on the rangehood and also to dim it, depending on model, via a light switch in the house.

Installation



The tower needs to be removed before the control module can be fitted to the fan unit.

All electrical work must be carried out by a competent, qualified electrician.

Technical data

Total rated load*

DA 428-4 240 W

DA 429-4 260 W

Fan motor* 200 W

Cooktop lighting

DA 428-4 2 x 20 W

DA 429-4 3 x 20 W

Voltage 230 V

Frequency 50 Hz

AUS, NZ:

Plug rating 10 A

Test marks Electrical safety
. C-Tick Mark

Electrically suppressed
according to AS/NZS 1044

Electrical cable length 1.5 m

Weight

DA 428-4 18 kg

DA 428-4 EXT 15 kg

DA 429-4 19 kg

DA 429-4 EXT 16 kg

Fan performance*

Extraction power according to
EN 61591

Extraction system Ø 150 mm:

Level I 200 m³/h

Level II 300 m³/h

Level III 400 m³/h

Level IV Intensive Setting 640 m³/h

Extraction system Ø 125 mm:

Level I 180 m³/h

Level II 280 m³/h

Level III 380 m³/h

Level IV Intensive Setting 580 m³/h

Recirculation with charcoal filter:

Level I 150 m³/h

Level II 210 m³/h

Level III 330 m³/h

Level IV Intensive Setting 490 m³/h

Special accessory for recirculation mode:

- **Conversion kit DUW 20**
- **Miele charcoal filter DKF 12-1**

* For EXT models, the rated load and extraction power will depend on the type of external motor fitted.

EXT models:

Length of connection cable to external motor. 1.9 m

Miele

Miele Australia Pty. Ltd.

ABN 96 005 635 398

Melbourne:

1 Gilbert Park Drive

Knoxfield, VIC 3180

Telephone: 1300 464 353

Fax: (03) 9764 7149

Sydney:

3 Skyline Place

Frenchs Forest, NSW 2086

Telephone: 1300 464 353

Fax: (02) 8977 4249

Brisbane:

39 Harvey Street North

Eagle Farm, QLD 4009

Telephone: 1300 464 353

Fax: 1800 799 578

Adelaide:

83-85 Sir Donald Bradman Drive

Hilton, SA 5033

Telephone: 1300 464 353

Fax: 1800 799 578

Perth:

205-207 Stirling Highway

Claremont, WA 6010

Telephone: 1300 464 353

Fax: 1800 799 578

www.miele.com.au



www.miele-shop.com

Miele New Zealand Limited

Unit L, 10-20 Sylvia Park Road
Mt. Wellington, 1060, Auckland
New Zealand

Telephone: 0800 264 353

Fax: 0800 463 453

www.miele.co.nz

Germany

Miele & Cie. KG

Carl-Miele-Straße 29
33332 Gütersloh



Free Manuals Download Website

<http://myh66.com>

<http://usermanuals.us>

<http://www.somanuals.com>

<http://www.4manuals.cc>

<http://www.manual-lib.com>

<http://www.404manual.com>

<http://www.luxmanual.com>

<http://aubethermostatmanual.com>

Golf course search by state

<http://golfingnear.com>

Email search by domain

<http://emailbydomain.com>

Auto manuals search

<http://auto.somanuals.com>

TV manuals search

<http://tv.somanuals.com>