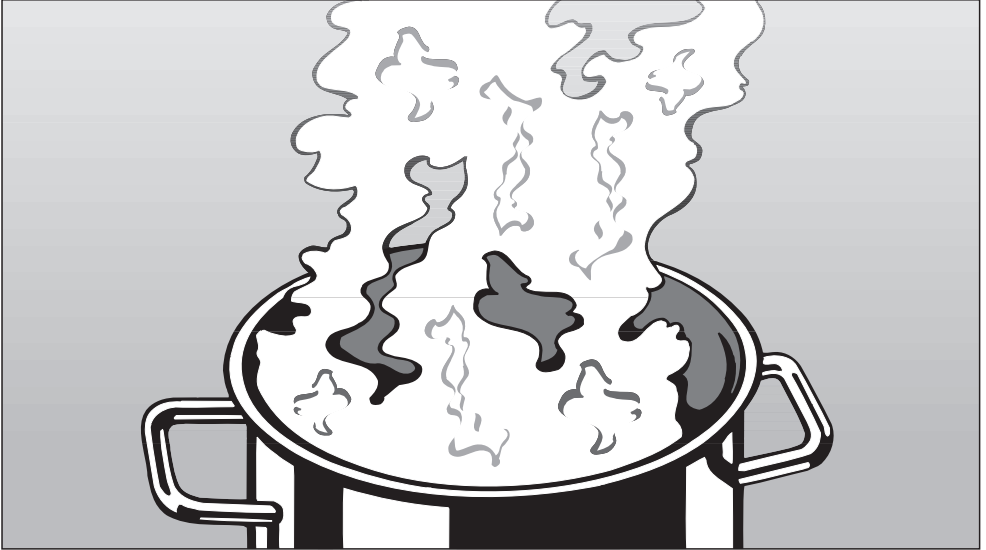


# Miele

## Operating and installation instructions



### Cooker hoods

DA 5100 D

DA 5100 D U

DA 5100 D EXT

To avoid the risk of accidents  
or damage to the appliance  
it is **essential** to read these  
instructions before it is installed  
and used for the first time.

en - GB

M.-Nr. 09 202 760

# Contents

---

<b>Caring for the environment</b> . . . . .	4
<b>Warning and Safety instructions</b> . . . . .	5
<b>Modes of operation</b> . . . . .	11
<b>Guide to the appliance</b> . . . . .	12
<b>Miele@home</b> . . . . .	14
Con@ctivity . . . . .	14
<b>Use</b> . . . . .	15
To switch the fan on . . . . .	15
To select a power level . . . . .	15
Intensive setting . . . . .	15
Run-on option . . . . .	16
To switch the fan off . . . . .	16
To switch the lighting on . . . . .	17
Dimming the lighting . . . . .	17
To switch the lighting off . . . . .	17
Filter operating hours counter . . . . .	18
Resetting the operating hours counter for the grease filter . . . . .	18
Resetting the operating hours counter for the charcoal filter . . . . .	20
<b>Cleaning and care</b> . . . . .	22
Housing . . . . .	22
Grease filter . . . . .	23
Fitting and replacing the charcoal filter . . . . .	25
Changing a halogen lamp . . . . .	26
<b>After Sales Service</b> . . . . .	27
<b>Appliance dimensions</b> . . . . .	28
Safety distance between hob and cooker hood . . . . .	29
<b>Installation</b> . . . . .	30
Installation instructions . . . . .	30
Assembly parts . . . . .	30
<b>Electrical connection</b> . . . . .	31

<b>Operation with DSM 400 control module</b> . . . . .	32
Potential free connection . . . . .	32
Connection to a light switch . . . . .	32
<b>Connection for air extraction</b> . . . . .	33
Condensate trap . . . . .	34
Silencer . . . . .	35
<b>Technical data</b> . . . . .	36

# Caring for the environment

---

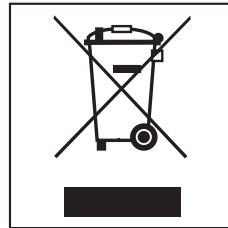
## Disposal of the packing material

The transport and protective packing has been selected from materials which are environmentally friendly for disposal, and should be recycled.

Packaging e.g. cling film, polystyrene and plastic wrappings must be kept out of the reach of babies and young children. Danger of suffocation!

## Disposal of your old appliance

Electrical and electronic appliances often contain materials which, if handled or disposed of incorrectly, could be potentially hazardous to human health and to the environment. They are, however, essential for the correct functioning of your appliance. Please do not therefore dispose of it with your household waste.



Please dispose of it at your local community waste collection / recycling centre or contact your dealer for advice. Ensure that it presents no danger to children while being stored for disposal.

# Warning and Safety instructions

This appliance complies with all relevant local and national safety requirements. Inappropriate use can, however, lead to personal injury and damage to property.

To avoid the risk of accidents and damage to the appliance, please read these instructions carefully before using it for the first time. They contain important information on safety, installation, use and maintenance.

Keep these instructions in a safe place and ensure that all users are familiar with the contents. Pass them on to any future owner of the appliance.

## Correct application

▶ This appliance is intended for use in domestic households and in similar working and residential environments such as:

- Shops
- Offices and showrooms

and by residents in establishments such as:

- Hostels and guest houses.

▶ It must only be used as a domestic appliance to extract vapours and remove odours from cooking.

▶ The cooker hood is not intended for outdoor use.

Any other usage is not supported by the manufacturer and could be dangerous. Miele cannot be held liable for damage resulting from incorrect or improper use or operation.

▶ This appliance is not intended for use by people with reduced physical, sensory or mental capabilities, or lack of experience or knowledge, unless they are supervised whilst using it or have been shown how to use it correctly by a person responsible for their safety.

## Safety with children

▶ This appliance is only intended for use by adults who have read these instructions.

▶ This appliance is not a toy! To prevent the risk of injury do not let children play with the appliance or its controls.

▶ Children under 8 years of age must be kept away from the cooker hood unless they are constantly supervised.

▶ Children 8 years and older may use the cooker hood only if they have been shown how to use it in a safe way and understand the hazards involved.

▶ Please be aware that on cooker hoods with halogen lighting, the lamps will get very hot during use and remain hot for some time after switching off. To safeguard against burning, keep children well away from the lamps at all times.

# Warning and Safety instructions

---

## Technical safety

► Before installation, check the cooker hood for visible signs of damage. Do not install and use a damaged appliance. It could be dangerous.

► Before connecting the appliance to the mains supply, make sure that the voltage and frequency details given on the data plate correspond with the household electricity supply, otherwise the appliance could be damaged. Consult a qualified electrician if in any doubt.

► The electrical safety of this appliance can only be guaranteed if it is correctly earthed. It is most important that this basic safety requirement is observed and regularly tested and where there is any doubt, the household wiring system should be inspected by a qualified electrician. The manufacturer cannot be held liable for the consequences of an inadequate earthing system (e.g. electric shock).

► For safety reasons, this appliance may only be used when it has been fully installed.

► Only open the housing as described in the instructions given in the installation sheet and in the Cleaning and care section of this booklet. Under no circumstances should any other parts of the housing be opened. Tampering with electrical connections or components and mechanical parts is highly dangerous to the user, and can cause operational faults.

► Installation, maintenance and repairs may only be carried out by a service technician authorised by the manufacturer in strict accordance with current national and local safety regulations.

Repairs and other work by unqualified persons could be dangerous. The manufacturer cannot be held liable for unauthorised work.

► Faulty components must only be replaced by genuine Miele original parts. The manufacturer can only guarantee the safety of the appliance when Miele replacement parts are used.

► During installation, maintenance and repair work, the appliance must be disconnected from the mains electricity supply.

# Warning and Safety instructions

▶ Do not connect the appliance to the mains electricity supply by a multi-socket adapter or an extension lead. These do not guarantee the required safety of the appliance (e.g. danger of overheating).

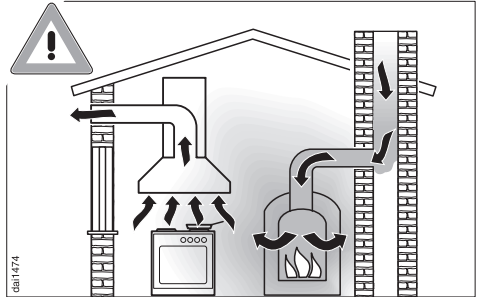
▶ For appliances with an external fan motor (...EXT models) the connection of the two units must be made using the connection cable and the plug connectors.  
These models may only be combined with a Miele external motor.

▶ This appliance must not be used in a non-stationary location (e.g. on a ship).

▶ In areas which may be subject to infestation by cockroaches or other vermin, pay particular attention to keeping the appliance and its surroundings in a clean condition at all times. Any damage which may be caused by cockroaches or other vermin will not be covered by the guarantee.

## Using at the same time as other heating appliances that depend on the air from the room

Warning - danger of toxic fumes



▶ Great care should be taken when using the cooker hood at the same time and in the same room or area of the house as another heating appliance which depends on the air in the room. Such appliances include gas, oil, wood or coal-fired boilers and heaters, continuous flow or other water heaters, gas hobs, cookers or ovens which draw air in from the room and duct exhaust gases out through a chimney or extraction ducting.

When used in extraction mode, with or without an external motor fitted, the appliance draws air in from the room in which it is installed **and** from neighbouring rooms.

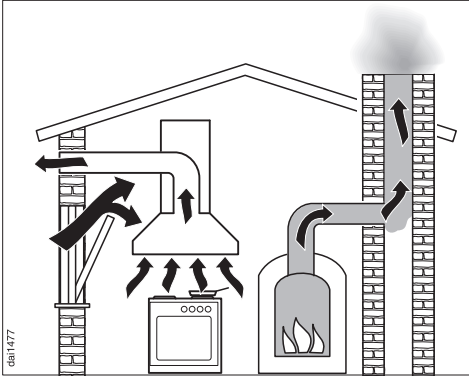
If there is insufficient air, an underpressure will occur. The heating appliance may be starved of oxygen, impairing combustion.

Harmful gases could be drawn out of the chimney or extraction ducting back into the room, with potentially fatal consequences.


# Warning and Safety instructions

---

In order to ensure safe operation, and to prevent gases given off by the heating appliances from being drawn back into the room when the cooker hood and the heating appliance are in operation simultaneously, an underpressure in the room of 0.04 mbar (4 pa) is the maximum permissible.



Ventilation can be maintained by air inlets which cannot be blocked, in windows, doors and outside wall vents, or by other technical measures, such as ensuring that the cooker hood can only be switched on when the heating appliance is switched off or vice versa. A ventilation brick alone is not generally sufficient to ensure safe ventilation.

 The overall ventilation condition of the dwelling must be taken into account. If in any doubt, the advice of a competent builder or, for gas, a qualified gas fitter (GasSafe registered in the UK) or electrician must be sought.

If the hood is being operated in recirculation mode, the above restrictions do not apply.



# Warning and Safety instructions

---

## Correct use

▶ Never use an open flame beneath the cooker hood. To avoid the danger of fire, do not flambé or grill over an open flame.

When switched on, the cooker hood could draw flames into the filter. Fat particles drawn into the cooker hood present a fire hazard.

▶ When using the cooker hood over a gas hob, ensure that any burners in use are always covered by a pan. Switch the cooking zone off when a pan is removed, even for a short time. Regulate the flame so that it does not burn up the sides of the pan. Do not allow the pans to overheat excessively (e.g. when using a wok). The cooker hood can become damaged when exposed to excessive heat.

▶ Always switch the cooker hood on when using the hob, otherwise condensation may collect in the hood, which could cause corrosion.

▶ When cooking with oil or fat, chip pans and deep fat fryers etc, do not leave the pans unattended. Never leave an open grill unattended when grilling. Overheated oil and fat can ignite and could set the cooker hood on fire.

▶ Do not use the cooker hood without the filters in place. This way you will avoid the risk of grease and dirt getting into the appliance and hindering its smooth operation.

▶ The filters should be regularly cleaned or changed as appropriate. Saturated filters are a fire hazard. See "Cleaning and care".

▶ The cooker hood can get very hot during cooking due to heat rising from the hob. Do not touch the housing or the grease filters until the cooker hood has cooled down.

▶ Do not use a steam-cleaner to clean this appliance. Steam could reach the electrical components and cause a short circuit.

# Warning and Safety instructions

---

## Correct installation

- ▶ Refer to the cooker or hob manufacturer's instructions as to whether a cooker hood may be operated above the cooker/hob.
- ▶ The minimum safety distances between the top of the cooker or hob and the bottom of the cooker hood given in the "Appliance dimensions" section of this booklet must be maintained, unless the hob manufacturer states that a greater safety distance is required.

If more than one cooking appliance is fitted beneath the cooker hood, and they have different minimum safety distances to the cooker hood, select the greater distance.

- ▶ Safety regulations prohibit the fitting of a cooker hood over solid fuel stoves.
- ▶ All ducting, pipework and fittings must be of non-flammable material. These can be obtained from the Miele Spare Parts department or from builders' merchants.
- ▶ The appliance must not be connected to a chimney or vent flue which is in use. Neither should it be connected to ducting which ventilates rooms with fireplaces.
- ▶ If exhaust air is to be extracted into a chimney or ventilation duct no longer used for other purposes, seek professional advice.

## Accessories

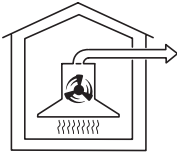
- ▶ Only use genuine Miele original spare parts and accessories with this appliance. Using spare parts or accessories from other manufacturers will invalidate the guarantee, and Miele cannot accept liability.

The manufacturer cannot be held liable for damage caused by non-compliance with these Warning and Safety instructions.

The cooker hood works with

## ... air extraction:

(excluding ...U models)



The air is drawn in, cleaned by the grease filter and then directed outside.

The cooker hood is fitted with a **non-return flap**, which is closed when the cooker hood is switched off. No exchange of room air and outside air can take place. When the cooker hood is switched on, the non-return flap opens for the cooking vapours to be blown directly outside.

## ... air recirculation:

(...U models only)

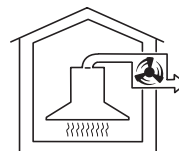


The air is drawn in and cleaned first by the grease filter and then by a **charcoal filter**. The cleaned air is then recirculated back into the kitchen through grilles in the top of the cooker hood tower.

Before using the cooker hood in recirculation mode, ensure that the charcoal filter is in place. See "Cleaning and care".

## ... an external motor:

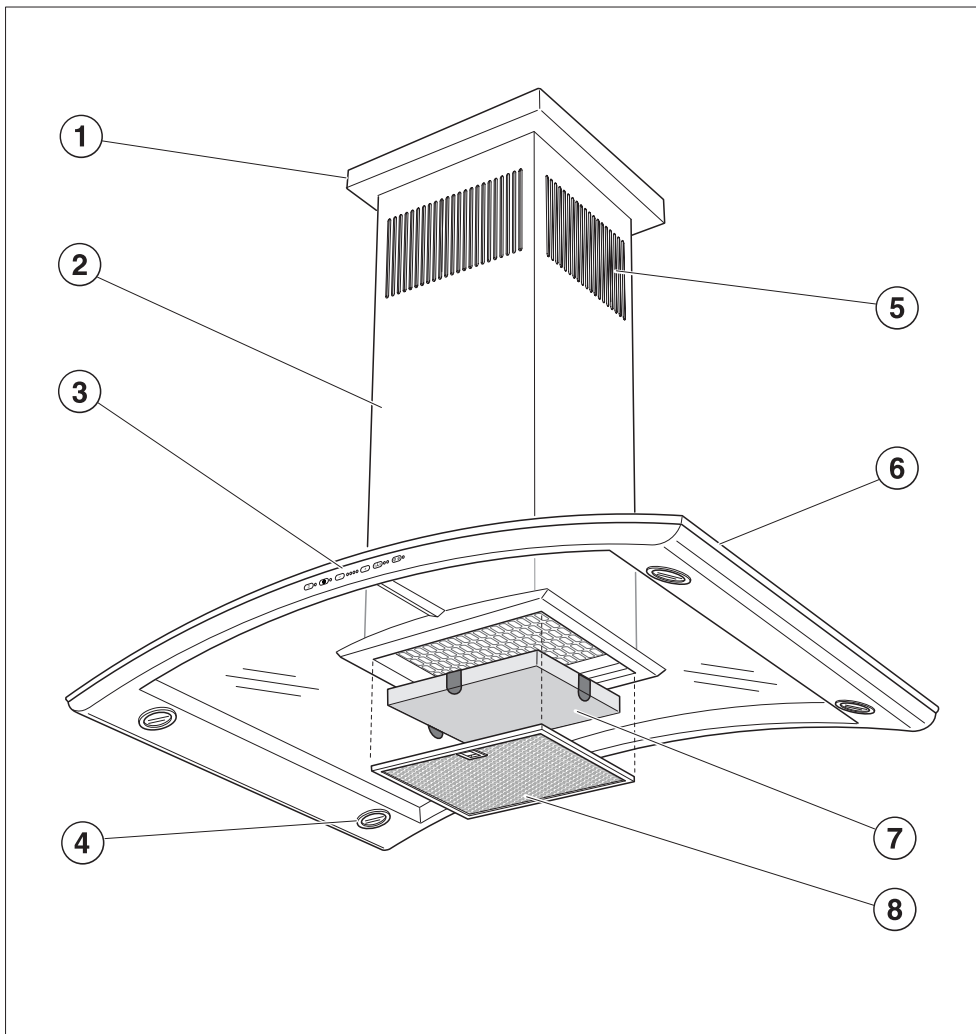
(...EXT models only)



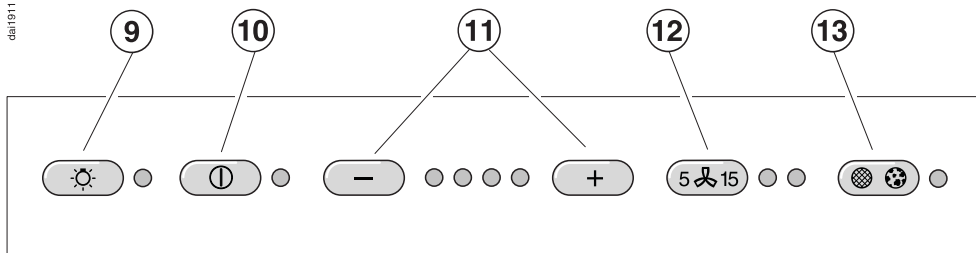
...EXT models are designed to be connected to an external motor located outside the room.

The external motor is connected to the cooker hood by means of a control cable and is operated by the controls on the cooker hood.

# Guide to the appliance



dal1911



## ① Cover plate

## ② Tower

## ③ Controls

## ④ Hob lighting

## ⑤ Recirculation grille

(...U models only)

## ⑥ Canopy

## ⑦ Charcoal filter

Optional accessory for ...U models only

## ⑧ Grease filter

## ⑨ Hob lighting control

This control switches the lighting on and off, and is also a dimmer switch.

## ⑩ On/Off control for the fan

## ⑪ Controls to select the fan power level

## ⑫ Control for the run-on option

The fan can be set to switch off automatically after either 5 or 15 minutes.

## ⑬ Operating hours control

The indicator lamp for the operating hours control lights up **red** when the grease filter needs to be cleaned.

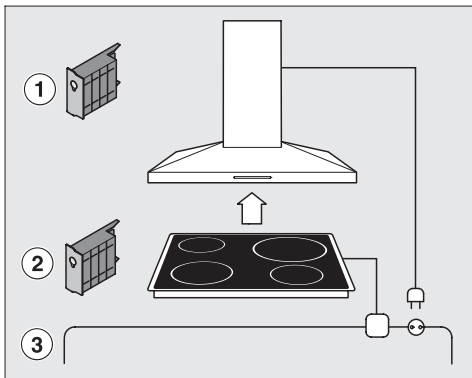
Additional feature of the DA 5100 U:  
The indicator lamp lights up **blue** when the charcoal filter used in recirculation mode needs to be replaced. For this to happen, the operating hours counter needs to be activated before the appliance is used for the first time.

The control is used to reset the appropriate operating hours counter each time the grease filter is cleaned or the charcoal filter has been changed (see "Cleaning and care").

It can also be used to check and alter the operating hours counter.

For further details about the functions of the appliance, see "Use".

## Con@ctivity



This cooker hood is communication enabled.

Communication module XKM 2000 DA ①, available as an optional extra, enables the operation of the cooker hood to be automatically controlled by the operating status of a Miele electric hob with onset controls.

For communication to take place, the hob must be fitted with the appropriate communication module ②.

The hob transmits information about its operating status to the cooker hood via the household power supply (Powerline) ③.

- When the hob is switched on the cooker hood hob lighting also comes on and then after a short time the fan switches on.
- During cooking the cooker hood automatically sets its power level according to the number of cooking zones in operation and their power levels.
- After switching the hob off the fan and the hob lighting will switch off automatically after a period of time.

For detailed information about this function please read the separate instruction booklet supplied with the XKM 2000 DA communication module.

The communication module is fitted to the cooker hood in the area of the motor and is connected to the controls of the cooker hood.

This module must be installed by a Miele service technician or suitably qualified electrician.

## To switch the fan on



- Press the On/Off control.

The fan runs at power level "II".  
The indicator lamp will come on.

## To select a power level



- Use the – / + controls to select the power level required.

+ control = higher setting

– control = lower setting

Depending on the intensity of the cooking vapours, levels I to III are usually sufficient for normal cooking.

## Intensive setting

When frying or cooking food with a strong aroma, you may wish to select the Intensive setting for a short period.

## Automatic switch-off of the Intensive setting

You can set the Intensive setting so that it only runs for 10 minutes before reverting automatically to level III.

- To set this option, both the fan and the hob lighting must be switched off.



- Press the run-on option control for approximately 10 seconds. The first fan setting indicator will light up.
- Then press, one after the other,



- the hob lighting control,



- the – control, and



- the hob lighting control again.

# Use



The indicator lamps for fan power levels I and IV will flash if the automatic switch-off of the Intensive setting is not activated.

- Press the **+** control to activate automatic switch-off.  
The indicator lamps for fan power levels I and IV will now light up constantly.



Press the **-** control to deactivate the automatic switch-off function.

- Press the run-on option control to confirm your selection.

If you do not confirm your selection within 4 minutes, the cooker hood will automatically revert to the "old" setting.

## Run-on option

It is advisable to run the fan for a few minutes after cooking is finished to neutralise any lingering odours in the air, whether you are using air extraction or recirculation mode.

The fan can be set to switch off automatically after either 5 or 15 minutes:



- After cooking is finished, press the run-on option control whilst the fan is still running.
  - Press once = The fan will switch off after 5 minutes (left-hand indicator lamp).
  - Press twice = The fan will switch off after 15 minutes (right-hand indicator lamp).

To switch off the run-on option, press the run-on option control again. The appliance will then not switch off automatically.

## To switch the fan off



- Press the On/Off control to switch the fan off.

The indicator lamp will go out.



## To switch the lighting on

The hob lighting can be switched on and off independently of the fan.



- Briefly press the lighting control to switch on the hob lighting.

The indicator lamp will come on.

The lighting will switch on at maximum brightness.

## Dimming the lighting

The brightness of the lighting can be adjusted.

- With the lighting switched on, press and hold the hob lighting control in. The brightness will gradually dim until you release the control.
- Press the control in again to increase the brightness to the level required and then release it.

If you keep the control pressed in, the light will continually change between bright and dim.

## To switch the lighting off

- Press the hob lighting control briefly to switch the lighting off.

The indicator lamp will go out.

## Safety cut-out

Should the cooker hood be left on, the fan will switch off automatically after 10 hours. The lighting will remain on.



- Pressing the On/Off control will switch the fan back on again.

# Use

## Filter operating hours counter

The number of hours the appliance has been in operation is stored in memory.

The operating hours counter tells you when the grease filter or charcoal filter needs to be cleaned or replaced.

## Resetting the operating hours counter for the grease filter



After 30 hours of operation (or another time if the operating hours counter has been altered), the operating hours indicator lamp will light up **red**. The grease filter must then be cleaned.

Afterwards, the filter operating hours counter must be reset.

- Press the operating hours control for about 3 seconds while the fan is switched on.

The indicator lamp for the control will go out.

## Reading the operating hours counter for the grease filter

To check the percentage of time set already used:



- Press the On/Off touch control to switch the fan on.



- Press and hold the operating hours control in. The indicator lamp will light up red.



One or more of the indicator lamps for the **- / +** controls will flash.

The number of flashing lamps shows the percentage of the operating time which has already been used up.

1 lamp	=	25 %
2 lamps	=	50 %
3 lamps	=	75 %
4 lamps	=	100 %

The number of operating hours used remains in the memory, even when the appliance is switched off or there is a power cut.

### Altering the operating hours counter for the grease filter

You can set the operating hours counter for the grease filter to suit the type of cooking you do.

- Select a short time if you roast or fry a lot.
- If you use very little fat for cooking, select a longer time.
- If you only cook occasionally we recommend that you still select a short time, because grease which has built up gradually over a long period of time will harden on the grease filter and make cleaning more difficult.

The operating hours counter for the grease filter is set at the factory for 30 hours. The time set can be lengthened or shortened: you can choose 20, 30, 40 or 50 hours.



- Press the On/Off control to switch the fan off.



- Press the run-on option control and the operating hours control at the same time.

The red indicator lamp for the operating hours control and one of the - / + control lamps will flash.



The - / + control lamps show the time which has been set:

- 1st lamp from the left = 20 hours
- 2nd lamp from the left = 30 hours
- 3rd lamp from the left = 40 hours
- 4th lamp from the left = 50 hours

- Use the - / + controls to select the desired time.



- Confirm the selection by pressing the operating hours control.

All the indicator lamps will go out.

If you do not confirm your selection within 4 minutes, the cooker hood will automatically revert to the "old" data.

# Use

## Activating and altering the operating hours counter for the charcoal filter

(...U models only)

The charcoal filter is needed for recirculation mode.

On delivery, the operating hours counter for the charcoal filter is **switched off**, and is set at **unlimited**.

For recirculation mode, the operating hours counter needs to be set to the required time:



- Press the On/Off control to switch the fan off.



- Press the + control and the operating hours control at the same time.

The blue indicator lamp for the operating hours control and one of the - / + control lamps will flash.



The - / + control lamps show the time which has been set:

- 1st lamp from the left = 120 hours
- 2nd lamp from the left = 180 hours
- 3rd lamp from the left = 240 hours
- 4th lamp from the left = unlimited

- Use the - / + controls to select the desired time.

- Confirm the selection by pressing the operating hours control.

All the indicator lamps will go out.

If you do not confirm your selection within 4 minutes, the cooker hood will automatically revert to the "old" data.

## Resetting the operating hours counter for the charcoal filter

The indicator lamp for the operating hours control will light up **blue** after the cooker hood has operated for the number of hours set. The **charcoal filter** must then be replaced with a new one.

Afterwards, the operating hours counter must be reset.



- Press the operating hours control for about 3 seconds while the fan is switched on.

The indicator lamp for the control will go out.

## Reading the operating hours counter for the charcoal filter

To check the percentage of time set already used:



- Press the On/Off touch control to switch the fan on.



- Press the operating hours control twice in succession, and hold it pressed in.  
The indicator lamp will light up **blue**.



One or more of the indicator lamps for the - / + controls will flash.

The number of flashing lamps shows the percentage of the operating time which has already been used up.


1 lamp	=	25 %
2 lamps	=	50 %
3 lamps	=	75 %
4 lamps	=	100 %


The number of operating hours used remains in the memory, even when the appliance is switched off or there is a power cut.

# Cleaning and care

---

A range of Miele branded cleaning and conditioning products is available to order from Miele (see back page for details) or via the internet at [www.miele-shop.com](http://www.miele-shop.com).

 Before any cleaning or maintenance work is carried out, disconnect the cooker hood from the mains supply.

 Halogen lamps get very hot during use and remain hot for some time after being switched off. The hot lamps are also susceptible to damage from damp cleaning. Wait a few minutes after switching off before commencing cleaning.

## Housing

### General notes

The surfaces and controls are susceptible to scratches and abrasions. Please observe the following cleaning instructions.

- All external surfaces and controls can be cleaned using warm water with a small amount of washing-up liquid applied with a well wrung-out soft sponge or cloth.
- Wipe the surfaces dry using a soft cloth.

Do not use too much water when cleaning the controls. Water could penetrate into the electronics and cause damage.

- A microfibre "E-Cloth" is available from the Miele UK Spare Parts Department, which is suitable for cleaning surfaces such as stainless steel, glass, plastic and chrome without the use of chemicals.

Do not use:

- cleaning agents containing soda, acids, chlorides or solvents,
- abrasive cleaning agents, e.g. powder cleaners or cream cleaners and abrasive sponges, as well as pot scourers or sponges which have been used previously with abrasive cleaning agents. These will damage the surface material.

### Important for appliances with stainless steel housing

(This information does not apply to the controls).

Stainless steel surfaces can be cleaned using the Miele E-cloth or with a proprietary non-abrasive cleaning agent designed specifically for use on stainless steel.

To help prevent re-soiling, a proprietary conditioning agent for stainless steel such as Neoblank (available from the Miele UK Spare Parts Department) can also be used. Follow the manufacturer's instructions, and apply sparingly with an even pressure in the direction of the "grain".

## Important for appliances with lacquered housing

(special finish)

It is very difficult to clean this type of surface without causing minor marks to the surface material. This can become particularly noticeable with darker colours and if there is halogen lighting in the kitchen.

## Controls

The controls may suffer discolouration or damage if soiling is left on them for too long. Remove soiling straight away.

Observe the General notes on cleaning earlier in this section.

Do not use stainless steel cleaning agents on the controls.

## Glass surfaces

- Glass surfaces can be cleaned using a proprietary non-abrasive cleaning agent designed specifically for use on glass.

Do not use:


- abrasive cleaning agents, e.g. powder cleaners and cream cleaners,
- abrasive sponges, e.g. pot scourers or sponges which have been previously used with abrasive cleaning agents,
- oven sprays.

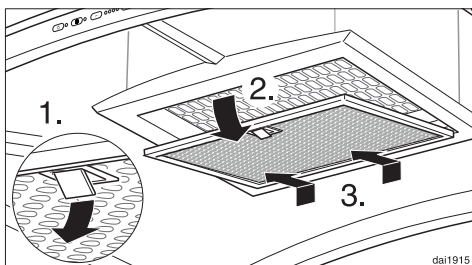
## Grease filter

The re-usable metal grease filter in the appliance removes solid particles from the kitchen vapours (grease, dust, etc), preventing soiling of the cooker hood.



The grease filter should be cleaned regularly (at least every 3-4 weeks) to avoid a built-up of fat, but always clean immediately if the operating hours control indicator lamp lights up **red**.

 An oversaturated filter is a fire hazard.



- To take out the grease filter, release the locking clip on the filter, lower the filter 45°, unhook it at the back and remove it.

To avoid damaging the filter or the hob below, make sure you hold the filter securely at all times when handling it.

# Cleaning and care

## Cleaning the grease filter by hand

- Clean the filter with a soft nylon brush in a mild solution of hot water and a small amount of washing-up liquid. Do not use "neat" washing up liquid.

Do not use:

- cleaning agents containing descaling agents,
- powder cleaners, cream cleaners or abrasive all-purpose cleaning agents,
- oven sprays.

## Cleaning the grease filter in the dishwasher

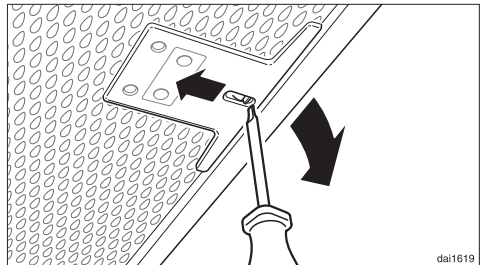
- Place the filter as upright as possible in the lower basket, with the short sides upright. Make sure that the spray arm can move freely.
- Do not wash at more than 65° C. If a Miele dishwasher is being used, select the Sensor wash programme.
- Use a mild dishwasher detergent.

Depending on the cleaning agent used, cleaning the filter in a dishwasher can cause permanent discolouration to the surface. However, this will not affect the functioning of the filter in any way.

- After cleaning, leave the filter to dry for a while on an absorbent surface before putting it back in place.

- When removing the filter for cleaning, also clean off any residues of oil or fat from the now accessible housing to prevent the risk of these catching fire.

When putting the grease filter back in position, ensure that the locking clip is visible facing down towards the hob.



- If the grease filter is inadvertently replaced upside down, insert a small screwdriver blade into the slit to disengage the clip.
- After replacing the grease filter, press the operating hours control for approximately 3 seconds to reset the operating hours counter. The indicator lamp will go out.
- If the grease filter is cleaned **before** the operating hours counter has reached its maximum, the operating hours control should be pressed for approximately 6 seconds to reset the counter.



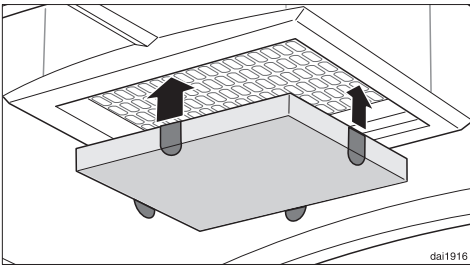
## Fitting and replacing the charcoal filter

If the cooker hood is connected for recirculation, a charcoal filter must be inserted in addition to the grease filter. This is designed to absorb cooking odours.

It is fitted in the canopy above the grease filter.

New filters can be purchased from your Miele dealer or from the Miele Spare Parts Department. See back cover for contact details, and "Technical data" for the model number of the filter.

- Before fitting or replacing a charcoal filter, the grease filter must first be taken out (see previous section for instructions on how to do this).
- Take the charcoal filter out of its packaging.



- Insert the charcoal filter into the canopy.
- Replace the grease filter.

When fitting for the first time:

- Activate the operating hours counter (see "Use").

Always replace the charcoal filter immediately if



- the indicator lamp for the operating hours control lights up **blue**,
- or
- if it is no longer effective in absorbing kitchen odours.

It should, however, be replaced at least every 6 months.


Used charcoal filters can be disposed of with the normal household waste.

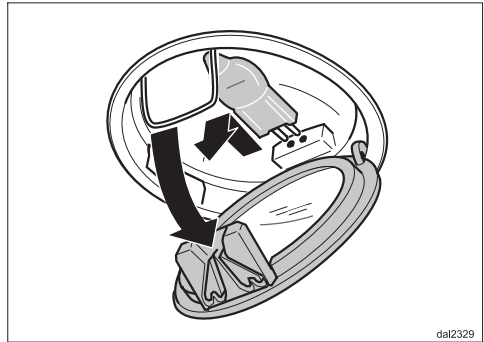
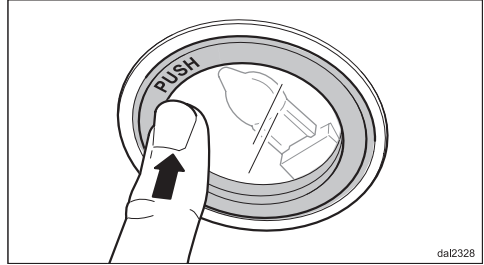
- After fitting a new charcoal filter, press the operating hours control twice and hold it pressed in for approximately 3 seconds to reset the operating hours counter. The operating hours indicator lamp will go out.
- If a charcoal filter is replaced **before** the operating hours counter has reached its maximum, the operating hours control should be pressed twice and held pressed in for approximately 6 seconds to reset the counter.

# Cleaning and care

## Changing a halogen lamp

- Before any cleaning or maintenance work, disconnect the cooker hood from the mains supply.

 Exercise caution when changing halogen lamps. They get very hot during use and remain hot for some time after being switched off. Let them cool down before you change them.



- To access the halogen lamp, push the lamp cover gently upwards. The cover will open and can be pulled down.
- Pull the old halogen lamp out of the connection socket.
- Using a cloth or glove, push the new lamp (12 V, 20 W, G4 cap) carefully into the connection socket. Please follow the manufacturer's instructions.
- Push the cover back up and make sure it clicks into place.

In the event of a fault which you cannot correct yourself, or if the appliance is under guarantee, please contact:

- Your Miele Dealer / Chartered Agent
- or
- The Miele Service Department (see back cover for address).

When contacting your Dealer or Miele, please quote the model and serial number of your appliance. These are shown on the data plate which is visible when the grease filter is removed.

For G.B.: Please note that telephone calls may be monitored and recorded for training purposes.

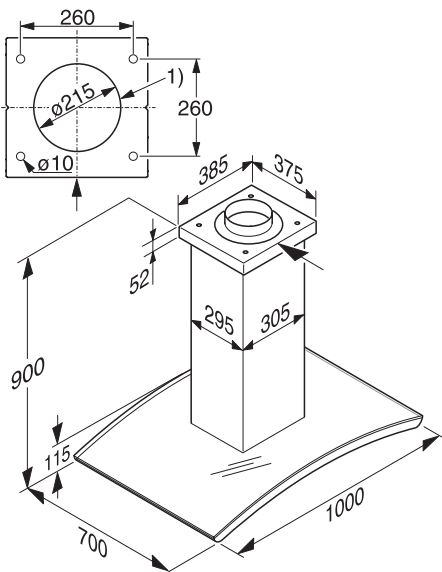
N.B. A call-out charge will be applied for service visits where the problem could have been resolved as described in these instructions.

### Guarantee

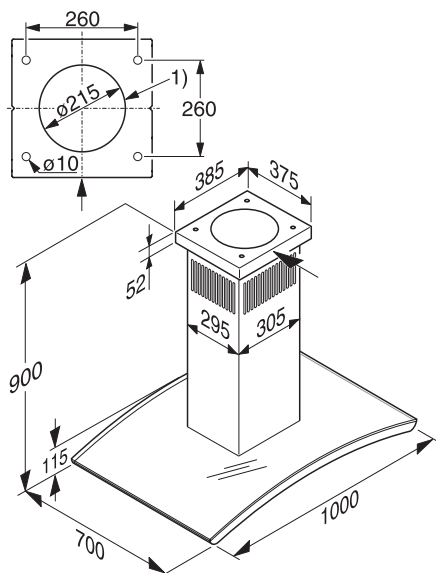
For information on the appliance guarantee specific to your country please contact Miele. See back cover for contact details.

In the U.K. your appliance is guaranteed for 2 years from the date of purchase. To activate your cover call 0845 365 6640 or register online at [www.miele.co.uk](http://www.miele.co.uk)

# Appliance dimensions



DA 5100 D, DA 5100 D EXT  
(Ceiling fixing viewed from above)

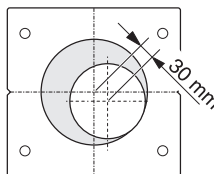


DA 5100 D U  
(Ceiling fixing viewed from above)

1) Cut-out for feeding through the exhaust ducting, the mains cable and, with ... EXT models, the connection cable to the external motor

In recirculation mode, only the mains cable is required.

Exhaust connection  $\varnothing$  150 mm (not needed for recirculation mode)



The exhaust connection in the ceiling plate is not fixed in the middle which means that the hood can also be installed where the exhaust cut-out in the ceiling is not centrally positioned over the hob. There is a max. margin of 30 mm in any direction.

### Safety distance between hob and cooker hood

The **minimum** safety distances between the top of a cooker or hob and the bottom of the cooker hood are as follows, unless a greater distance is specified by the manufacturer of your cooking appliance:

550 mm (GB), 600 mm (AU, NZ)

above electric hobs and cookers,

650 mm above an open grill or deep fat fryer,


650 mm above gas hobs and cookers.

If this cooker hood is installed above a Miele Wok CS 1028 CombiSet appliance, a minimum safety distance of 760 mm must be maintained between the burner and the lower edge of the cooker hood.

See "Warning and Safety" instructions for further information.

A distance of 650 mm above the hob may be preferable to give more working space.

# Installation

 Before installation, it is important to read the information given on the following pages as well as the "Appliance dimensions" and the "Warning and Safety instructions" at the beginning of this booklet. This is particularly crucial when using the cooker hood at the same time as a heating appliance that relies on oxygen from the same room to avoid the danger of toxic fumes building up.


## Installation instructions

See enclosed Installation sheet for instructions on how to install this appliance.

## Assembly parts



**4 screws 8 x 60 mm** with  
**4 washers** and  
**4 plugs S 10** to secure the cover plate to the ceiling

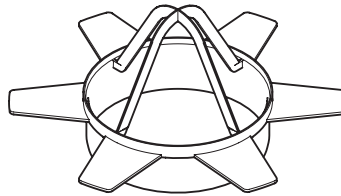
 The screws and plugs are for use in concrete ceilings only. For other types of construction, alternative suitable fixings will be required. Make sure the ceiling is strong enough to bear the weight of the cooker hood.



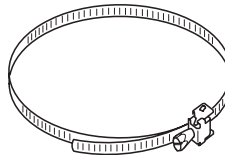
**2 screws M4 x 8 mm**  
for securing the tower.




**4 spacers** to use in the event of an uneven ceiling.



**1 floating bracket** to give a choice of position for the exhaust cut-out in the ceiling (not required for ...U models)



**1 hose clip** for securing the exhaust ducting to the exhaust stub (not required for ...U models)

 All electrical work should be undertaken by a suitably qualified and competent person in strict accordance with current national and local safety regulations (BS 7671 in the UK).

Installation, repairs and other work by unqualified persons could be dangerous, for which the manufacturer cannot be held liable.

Ensure power is not supplied to the appliance until after installation or repair work has been carried out.

Do not connect the appliance to the mains electricity supply by an extension lead. These do not guarantee the required safety of the appliance.

**The connection data is given on the data plate.** (See "After Sales Service"). Ensure that this data matches the household mains supply.

Connection of this appliance should be made via a suitable isolator or a double pole fused spur connection unit which complies with national and local safety regulations and the On-Off switch should be easily accessible after the appliance has been built in. When switched off there must be an all-pole contact gap of 3 mm in the switch (including switch, fuses and relays according to EN 60335).

If the switch is not accessible after installation (depending on country), an additional means of disconnection must be provided for all poles.

For extra safety it is advisable to install a residual current device (RCD) with a trip current of 30 mA.

### Important

This appliance is supplied for connection to an a.c. 230 V single phase 50 Hz supply.

The wires in the mains lead are coloured in accordance with the following code:

Green/yellow	= earth
Blue	= neutral
Brown	= live

**WARNING:  
THIS APPLIANCE MUST BE  
EARTHED**

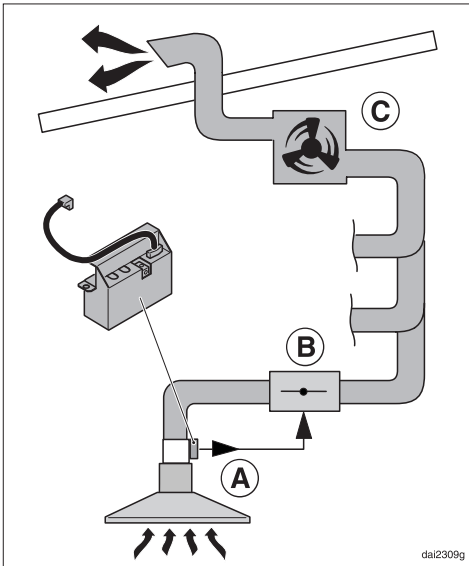
# Operation with DSM 400 control module

The Miele DSM 400 control module can be used to combine the cooker hood with other components.

It enables the following:

## Potential free connection

This can be used to operate a further appliance via the On/Off button ① on the cooker hood.



The potential free contact on the DSM 400 ① can, for example, be used in a cooker hood with an external motor ...EXT, which is connected to a central ducting system.

The contact can then be used to operate an electrically driven non-return flap ② which is connected to the central extraction unit ③.

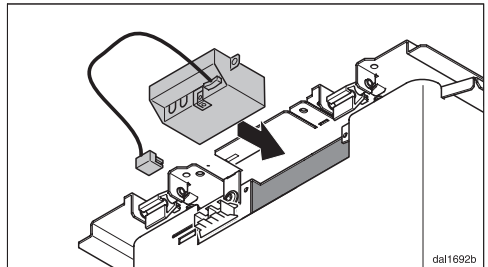
Components used in the central ducting system are not supplied by Miele.

If in any doubt, the advice of a competent builder or, for gas, a Gas Safe installer must be sought.

## Connection to a light switch

The control module can be used to switch on the cooker hood lighting and also to dim it via a light switch in the house.

## Installation



The control module is fitted in the tower after the cover plate has been unscrewed from the ceiling.

The electrical connection of components to the control module must be carried out by a suitably qualified and competent person.



## Connection for air extraction

---

Important: To avoid the danger of toxic fumes, please observe the Warning and Safety instructions. This is especially crucial when using the cooker hood at the same time as another heating appliance which relies on air from the same room. The cooker hood should be installed according to local and national building regulations. Seek approval from the building inspector where necessary.

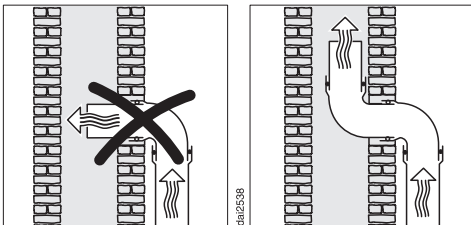
- Only use smooth pipes or flexible hoses made from non-flammable materials for the extraction ducting.
- When using an external motor, make sure that the exhaust ducting is sufficiently rigid. The external motor can cause an underpressure which could result in the exhaust ducting distorting.

To achieve the greatest possible air extraction with the lowest noise level, please note the following:

- To ensure efficient air extraction, the diameter of the exhaust ducting should not be less than 150 mm.
- If flat ducting is being used, the cross-sectional area must not be smaller than the cross-sectional area of the exhaust connection.
- The exhaust ducting should be as short and straight as possible.
- Only use wide radius bends.
- The exhaust ducting should not be kinked or compressed.
- Ensure that all connections are strong and airtight.
- Where ducting is horizontal, it must be laid to slope away at at least 1 cm per metre. This is to ensure that condensate cannot drain back into the cooker hood.

# Connection for air extraction

- If the exhaust air is to be ducted into the open air, the installation of a telescopic wall vent or roof vent is recommended.



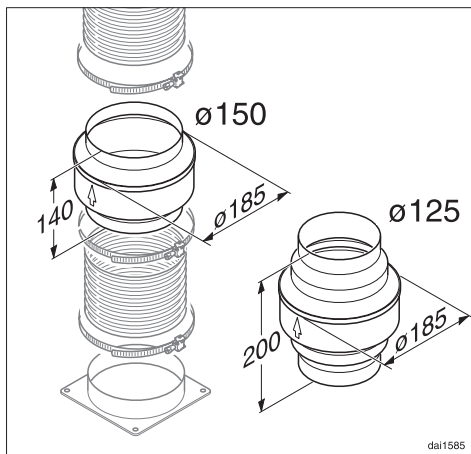
- If the exhaust air is to be ducted into a vent flue, the ducting must be directed in the flow direction of the flue.

## Important.

If the exhaust ducting is to run through rooms, ceiling space etc. where there may be great variations in temperature between the different areas, the problem of condensation will need to be addressed. The exhaust ducting will need to be suitably insulated.

## Condensate trap

(optional accessory)



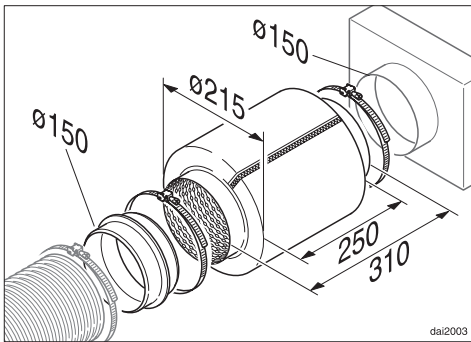
In addition to insulating the exhaust ducting, we recommend that a suitable condensate trap is also installed to collect and evaporate any condensate which may occur. Condensate traps are available for Ø 125 mm or Ø 150 mm ducting.

When installing a condensate trap, ensure that it is positioned vertically and if possible directly above the exhaust connection. The arrow on the housing indicates the direction of air-flow.

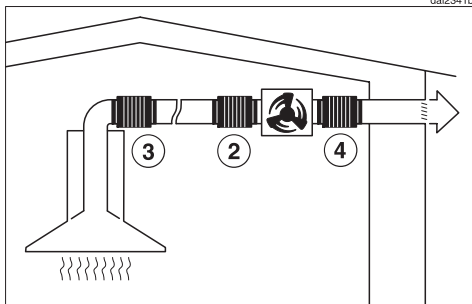
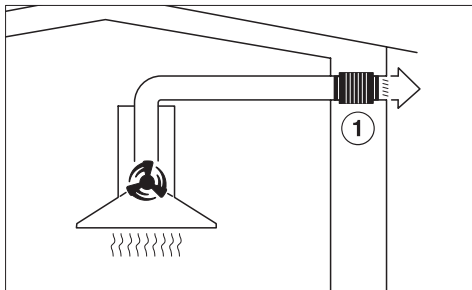
Cooker hoods designed for use with an external motor (...EXT models) have an integrated condensate trap.

## Silencer

(optional accessory)



To achieve even further reductions in noise levels, a special silencer can be fitted in the ducting system...



## ...with air extraction:

The silencer not only reduces noise from the fan, but also sounds from outside (e.g. traffic noise). For this reason the silencer must be positioned as close as possible to where the ducting leaves the building ①.

## ...air extraction with external motor:

To minimise noise from the motor in the kitchen, the silencer should be positioned in front of the external motor ② if possible, or if the ducting is long, then in the ducting above the cooker hood itself ③.

In the case of an external motor placed inside the house, fitting a silencer behind the external motor ④ reduces the noise of the motor outside the house.

In all modes of operation, the most effective noise reductions are achieved if two silencers are fitted one behind the other in the system.

# Technical data

---

Total connected load\* . . . . . 280 W  
Fan motor\* . . . . . 200 W  
Hob lighting . . . . . 4 x 20 W  
Voltage . . . . . AC 230 V  
Frequency . . . . . 50 Hz  
Fuse rating (GB). . . . . 13 A  
AUS, NZ:  
Plug rating . . . . . 10 A  
Test marks . . . . . Electrical safety  
. . . . . C-Tick Mark  
Electrically suppressed  
according to AS/NZS 1044

Weight  
DA 5100 . . . . . 36 kg  
DA 5100 D U. . . . . 36 kg  
DA 5100 D EXT . . . . . 32.8 kg

## Fan performance\* according to EN 61591

Extraction power on the DA 5100 D with Ø 150 mm ducting:

Level I . . . . . 160 m<sup>3</sup>/h  
Level II. . . . . 310 m<sup>3</sup>/h  
Level III . . . . . 450 m<sup>3</sup>/h  
Intensive Setting . . . . . 620 m<sup>3</sup>/h

Recirculation power on the DA 5100 D U with charcoal filter:

Level I . . . . . 130 m<sup>3</sup>/h  
Level II. . . . . 230 m<sup>3</sup>/h  
Level III . . . . . 360 m<sup>3</sup>/h  
Intensive Setting . . . . . 470 m<sup>3</sup>/h

## Optional accessory for recirculation mode:

### - Miele charcoal filter DKF 12-1

\* For EXT models the connected load and extraction power will depend on the type of external motor fitted.

Length of connection cable to external motor. . . . . 1.4 m







## United Kingdom

Miele Co. Ltd.  
Fairacres, Marcham Road  
Abingdon, Oxon, OX14 1TW  
Tel: 0845 365 0555  
Fax: 0845 365 0777  
Customer Contact Centre Tel: 0845 365 6600  
E-mail: [info@miele.co.uk](mailto:info@miele.co.uk)  
Internet: [www.miele.co.uk](http://www.miele.co.uk)

## Australia

Miele Australia Pty. Ltd.  
ABN 96 005 635 398  
1 Gilbert Park Drive, Knoxfield, VIC 3180  
Tel: (03) 9764 7130, Fax: (03) 9764 7149  
Internet: [www.miele.com.au](http://www.miele.com.au)

## China

Miele (Shanghai) Trading Ltd.  
1-3 Floor, No. 82 Shi Men Yi Road  
Jing' an District  
200040 Shanghai, PRC  
Tel: +86 21 6157 3500  
Fax: +86 21 6157 3511  
E-mail: [miele Shanghai@cn.miele.com](mailto:miele Shanghai@cn.miele.com)  
Internet: [www.miele.cn](http://www.miele.cn)

## Miele (Hong Kong) Limited

41/F - 4101, Manhattan Place  
23 Wang Tai Road  
Kowloon Bay  
Hong Kong  
Tel: (852) 2610 1331  
Fax: (852) 2610 1013  
Email: [mielehk@miele.com.hk](mailto:mielehk@miele.com.hk)

## India

Miele India Pvt. Ltd.  
Ground Floor, Copia Corporate Suites  
Plot No. 9, Jasola  
New Delhi - 110025  
Tel: 011-46 900 000, Fax: 011-46 900 001  
E-mail: [customercare@miele.in](mailto:customercare@miele.in)  
Internet: [www.miele.in](http://www.miele.in)

**Manufacturer:** Germany - Miele & Cie. KG  
Carl-Miele-Straße 29, 33332 Gütersloh



## Ireland

Miele Ireland Ltd.  
2024 Bianconi Avenue  
Citywest Business Campus, Dublin 24  
Tel: (01) 461 07 10, Fax: (01) 461 07 97  
E-Mail: [info@miele.ie](mailto:info@miele.ie), Internet: [www.miele.ie](http://www.miele.ie)

## New Zealand

Miele New Zealand Limited  
Unit L, 10-20 Sylvia Park Road  
Mt. Wellington, 1060, Auckland, NZ  
Tel: 0800 264 353, Fax: 0800 463 453  
Internet: [www.miele.co.nz](http://www.miele.co.nz)

## Singapore

Miele Southeast Asia  
Miele Pte. Ltd.  
163 Penang Road  
# 04 - 02/03 Winsland House II  
Singapore 238463  
Tel: +65 6735 1191, Fax: +65 6735 1161  
E-Mail: [infosea@miele.com.sg](mailto:infosea@miele.com.sg)  
Internet: [www.miele.sg](http://www.miele.sg)

## South Africa

Miele (Pty) Ltd  
63 Peter Place, Bryanston 2194  
P.O. Box 69434, Bryanston 2021  
Tel: +27 (0) 11 548-1900  
Fax: +27 (0) 11 548-1935  
E-mail: [info@miele.co.za](mailto:info@miele.co.za)  
Internet: [www.miele.co.za](http://www.miele.co.za)

## United Arab Emirates

Miele Appliances Ltd.  
P.O. Box 11 47 82  
Gold & Diamond Park  
Sheikh Zayed Road  
Building 6 / Offices Nos. 6-214 to 6-220  
Dubai  
Tel: +971-4-341 84 44  
Fax: +971-4-341 88 52  
E-Mail: [info@miele.ae](mailto:info@miele.ae)  
Internet: [www.miele.ae](http://www.miele.ae)





## Free Manuals Download Website

<http://myh66.com>

<http://usermanuals.us>

<http://www.somanuals.com>

<http://www.4manuals.cc>

<http://www.manual-lib.com>

<http://www.404manual.com>

<http://www.luxmanual.com>

<http://aubethermostatmanual.com>

Golf course search by state

<http://golfingnear.com>

Email search by domain

<http://emailbydomain.com>

Auto manuals search

<http://auto.somanuals.com>

TV manuals search

<http://tv.somanuals.com>