

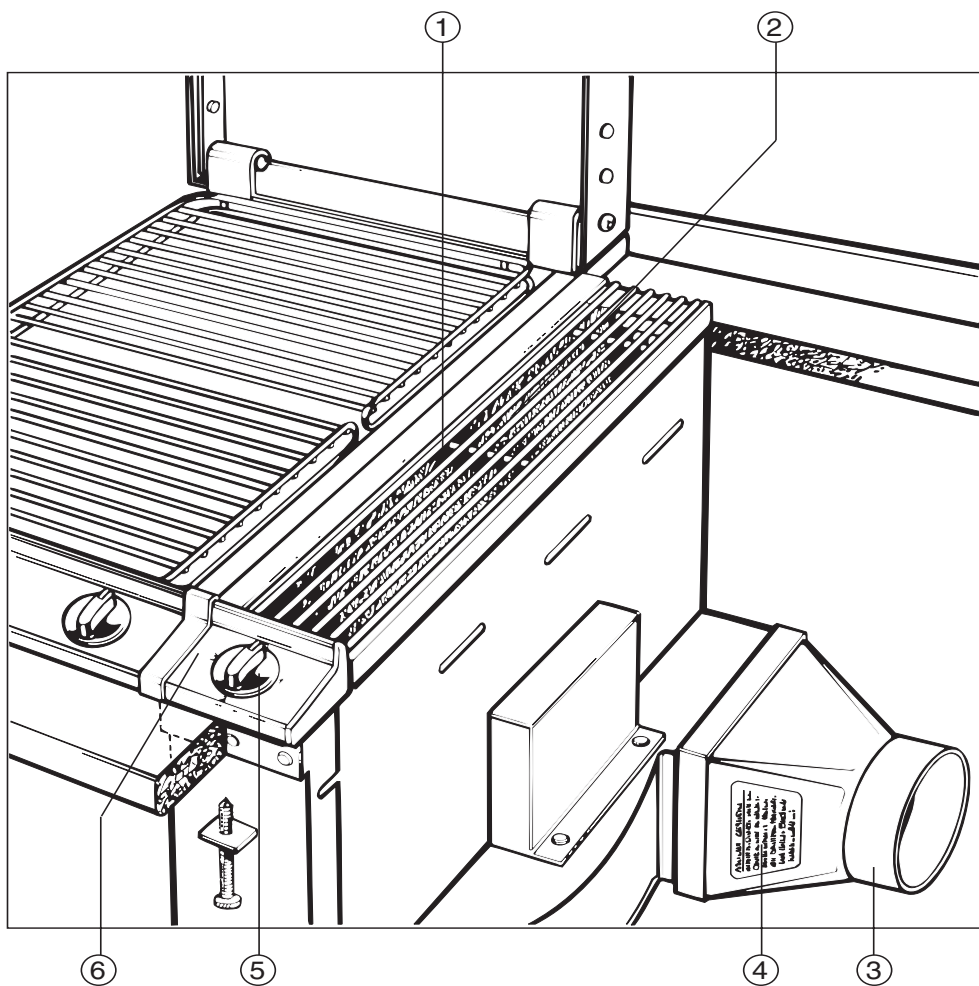
Miele

Operating instructions for the DA 8-2 Extractor



M.-Nr. 03 997 810

Description of the appliance



Description of the appliance

The DA-8 Extractor draws cooking vapors in through the grease filter ② and exhausts them to the outside.

- ① Ventilation grill
- ② Grease filter
- ③ 5" (120 mm) diameter exhaust connection
- ④ Extraction warning label
- ⑤ Control knob
- ⑥ Control panel

Data plate

Because the data plate is no longer visible once the appliance has been installed, a 2nd data plate is supplied. It should be placed into the space provided on page 11 of these instructions.

Do not install the DA 8-2 directly next to a gas hob.

Help protect our environment

Disposal of packaging

The transport and protective packing is mostly manufactured from the following re-usable materials:

. . . Corrugated paper / cardboard - mostly from recycled materials.

. . . Polyethylene foil (PE) - partly from secondary raw materials.

Rather than throwing these materials away, please take them to the nearest recycling center for specific waste.

Disposal of your old machine

Old machines contain materials which can be recycled. Please contact your local recycling center or scrap merchant about potential recycling programs, before disposing of the appliance.

Read the notes on page 8 before disposing of the appliance.

Contents

Description of the appliance	2
Help protect our environment	4
Warning and safety instructions	6
Operation	9
Cleaning and care	10
After Sales Service	11
Electrical connection	12
Appliance dimensions	13
Installation instructions	14
Exhaust connection	16
Exhaust connections	17

Warning and safety instructions

Before installation and before using the appliance for the first time read these operating instructions carefully to avoid the risk of accidents and damage to the appliance.

- The appliance is intended for domestic use only.
- Do not let small children play with the extractor or its controls.
- This extractor meets all statutory safety requirements.
- The electrical safety of this appliance can only be guaranteed when continuity is complete between the appliance and an effective grounding system. It is imperative that this basic safety requirement is met. If there is any doubt, have the electrical system of the house checked by a qualified electrician.
The manufacturer cannot be held responsible for damage caused by the lack or inadequacy of an effective grounding system.
- Installation and repairs should only be performed by qualified and trained personnel. Repairs by unqualified personnel could be dangerous.
- Do not connect the appliance to the main electrical supply using an extension cord. Extension cords do not guarantee the required safety of the appliance.

■ Before servicing, disconnect the power supply by removing the fuse or tripping the circuit breaker. Grasp the plug, not the cord, when unplugging from the wall.

■ Do not use an open flame beside the extractor. When turned on, the extractor could draw flames into the filter. Grease particles trapped in the filter will then present a fire hazard.

■ When the extractor is installed beside a gas cooktop, ensure that the burners being used are always covered by a saucepan or pot. Heat given off by the flames could otherwise damage the extractor.

Warning and safety instructions

Never leave the unit unattended when cooking with oil or fat. Very hot oil can ignite and damage the extractor.

Try to prevent drops of soup, sauce, etc., or residues from the grease filter from finding their way into the interior of the appliance. Should this occur however, cleaning should only be performed by the Miele Service Department, since the fan casing will have to be taken completely apart.

Do not use the extractor without the grease filter in place.

Clean the grease filter regularly. An over-greasy filter is a fire hazard.

Do not use a steam-cleaner to clean the extractor.

The steam could penetrate to electrical components and cause a short circuit.

For the installer and electrician

Ensure that the electrical connection in the house and the details on the data plate correspond.

Do not install the extractor beside appliances burning solid fuel.

All ducting, pipework and fittings must be of non-flammable material.

The appliance must not be connected to a chimney or vent flue. Neither should it be connected to ducting which ventilates rooms with fireplaces.

If exhaust air is to be vented into a chimney or ventilation duct no longer serving other purposes, seek professional advice.

Ensure there is sufficient ventilation in the room when the extractor is in operation.

When using the extractor at the same time as other heating appliances which depend on the air in the room (e.g. gas, oil or coal fired heaters, continuous flow or other water heater, gas cooktop or gas oven), make certain that ventilation is adequate as the extractor will remove air from the room, which these heaters need for combustion.

In order to ensure safe operation, and to prevent the exhaust gases of the heating appliances from being drawn into the room when the extractor and heater are in operation simultaneously, an underpressure of 0.06 psi (4pa) is the maximum permissible in the room. Ventilation can be maintained by air inlets in windows, doors and outside walls, or by other means, such as ensuring that the extractor can only be turned on when the heating appliance is off and vice-versa.

Keep these operating instructions in a safe place for future reference and pass them on to future owners if applicable.

Warning and safety instructions

Disposal of an old appliance

Before disposing of an old appliance, cut the cable off the appliance as close to the housing as possible. The plug and cord should be disposed of and not used elsewhere in the house (electric shock hazard).

Text highlighted in boxes is of particular importance, and should be read in conjunction with the warning and safety instructions.

Turn the extractor on before starting to cook:

- Turn the control knob ⑤ clockwise.

- Select a power setting strong enough to clear the air:

Setting 1 =
for normal operation.

Setting 2 =
for removing heavy cooking odors.

After cooking

- Turn the control knob counter clockwise to "0".

Cleaning and care

Before cleaning the extractor disconnect it from the main electrical supply (pull out the plug or trip the circuit breaker).

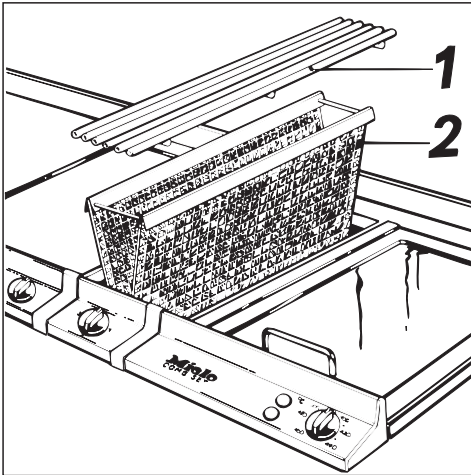
Grease filter

A re-usable metal grease filter is used to remove solid particles (oil, dust, etc.) from kitchen vapors, preventing soiling of the extractor fan.

The grease filter can be cleaned in a dishwasher or by hand.

The grease filter should be cleaned regularly to ensure trouble free operation of the extractor fan.

An over-greasy filter is a fire hazard.



- To remove the grease filter the ventilation grill (1) must be removed.
- Carefully withdraw the grease filter (2).

Make sure that no particles from the grease filter fall into the interior of the appliance. If this does happen, the Service Department will have to be called to clean the appliance, as the fan casing will need to be dismantled.

- Loosen both screws on the grease filter and remove the drip tray.
- Clean the grease filter, the ventilation grill and the drip tray.

By hand: in a solution of hot water and detergent using a nylon brush, or

In a dishwasher: the grease filter, the ventilation grill and the drip tray should be placed in the bottom basket. Ensure that the spray arm is not obstructed.

- When clean and dry, replace the drip tray on the grease filter and re-install it in the appliance.
- Replace the ventilation grill.

Control panel / Control knob

The control panel and control knob should be cleaned in a solution of hot water and detergent and dried using a soft cloth.

Do not use abrasive cleaning agents as these will scratch the surface material.

In the event of problems you cannot correct yourself, please contact

- Your Miele Dealer

or

- The Miele Service Department

The address of the nearest Service Department is given on the back page.

When contacting the Service Department, please quote the Model and Serial No. of the appliance.

Space for enclosed data plate

Electrical connection

Electrical connection - CDN

The extractor is supplied with a 1.10 m power supply cable ready for connection to a 120 VAC, 60 Hz supply. The rated load is 110 W. Fuse rating is 10 A.

Caution:

Make sure the power supply is OFF during installation.

Important

The wires of the power cord are colored as follows:

Green = ground
Black = live
White = neutral

WARNING
THIS APPLIANCE MUST BE GROUNDED

Electrical connection - USA

The extractor is supplied with a 4 ft cord ready for connection to a 120 VAC, 60 Hz power supply. Connection should be made in an appropriate junction box. The rated load is 110 W. Fuse rating is 10 A.

Important

The wires of the power cord are color-coded as follows:

Green/Yellow = ground
Blue = neutral
Brown = live

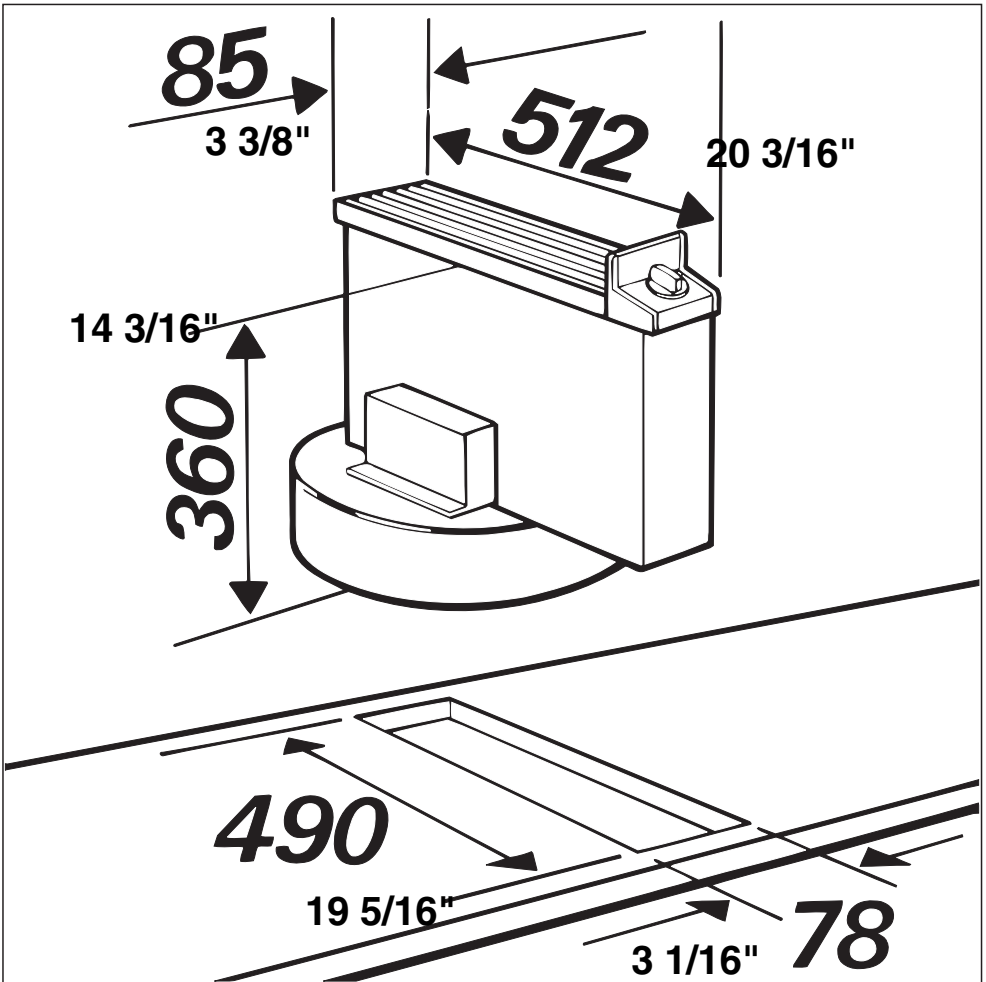
As the colors of the wires in the power supply cord of this appliance may not correspond with the colors of the wires in your junction box, proceed as follows:

The green and yellow wire must be connected to the ground wire.

The blue wire must be connected to the neutral wire.

The brown wire must be connected to the hot wire.

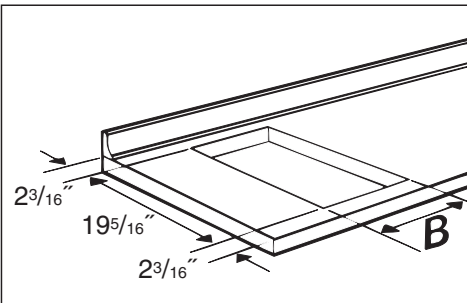
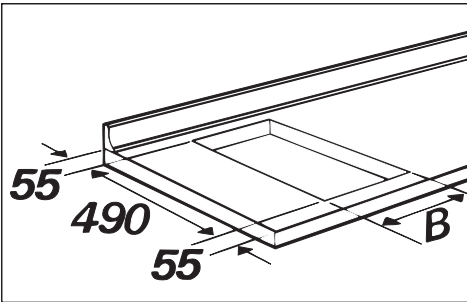
WARNING
THIS APPLIANCE MUST BE GROUNDED



Installation instructions

Do not install the DA 8-2 directly next to a gas hob.

This extractor is designed for installation between Combiset appliances. It should always be installed between two appliances, such as the grill and deep fryer.



- Prepare the countertop cut-out as illustrated. Dimension "B" will vary depending on how many combisets are installed. The following chart gives dimension "B" for a variety of 2 zone (ie KM 88-2) and 4 zone (ie KM 93-2) combinations.

	Depth (in mm)	Width (= Dimension B) (in mm)
2 zone Combiset		
1 combiset	490	265
2 combisets	490	558
3 combisets	490	851
4 combisets	490	1144
5 combisets	490	1437
4 zone Combiset		
1 combisets	490	560
2 combisets	490	1143
3 combisets	490	1728
Combination		
One 2 zone + one 4 zone	490	851
Two 2 zone + one 4 zone	490	1143
Three 2 zone + one 4 zone	490	1437
One 2 zone + two 4 zone	490	1436
Two 2 zone + two 4 zone	490	1729
Extractor (e.g. DA 8-2)		
For installation between two appliances: - Dimension B increases by 90 mm.		
For installation at the end of a combination: - Dimension B increases by 98 mm.		

Installation instructions

	Depth (in inches)	Width (= Dimen- sion B) (in inches)
2 zone Combiset		
1 combiset	19-5/16	10-7/16"
2 combisets	19-5/16	22"
3 combisets	19-5/16	33-1/2"
4 combisets	19-5/16	45-1/16"
5 combisets	19-5/16	56-9/16"
4 zone Combiset		
1 combisets	19-5/16	22-1/16"
2 combisets	19-5/16	45"
3 combisets	19-5/16	68-1/16"
Combination		
One 2 zone + one 4 zone	19-5/16	33-1/2"
Two 2 zone + one 4 zone	19-5/16	45"
Three 2 zone + one 4 zone	19-5/16	56 -9/16"
One 2 zone + two 4 zone	19-5/16	56-1/2"
Two 2 zone + two 4 zone	19-5/16	68-1/16"

Extractor (e.g. DA 8-2)

For installation between two appliances:

- **Dimension B** increases by 3-9/16".

For installation at the end of a combination:

- **Dimension B** increases by 3-7/8"

- Remove the ventilation grill and grease filter.
- Unscrew the frame (2 screws) at the front and remove.
- Install the extractor into the cut-out, from below the countertop, so that the protruding front edge rests on the countertop.
- Raise the rear of the unit and place the extractor mounting bracket on the countertop.
- Lower the extractor onto the bracket and align the unit in the cut-out. Replace the frame and screw it into the countertop along with the rear mounting bracket.
- Secure the front of the unit by tightening the clamp from underneath the countertop.
- Replace the two frame-mounting screws.
- Install the control panel and control knob.
- Connect the vent duct to the extractor, and connect the appliance to the power supply.

When installing more than one combiset, a stainless steel spacer bar must be placed between units. It is supplied with its own installation instructions.

Exhaust connection

Please read the "Warning and Safety Instructions" to avoid the danger of toxic fumes.

The DA-8 extractor should be installed in accordance with local and national building regulations.

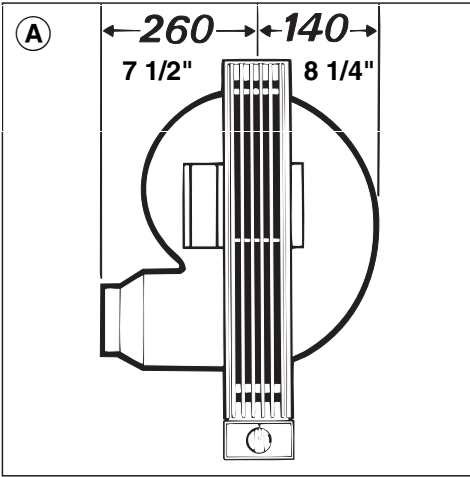
The exhaust connection should be made into a vent shaft or chimney that is not in use, using non-flammable exhaust ducting to the outside by using a wall vent kit. These kits are available from the Miele Parts Department.

Installation should only be performed out by a suitably qualified and trained person.

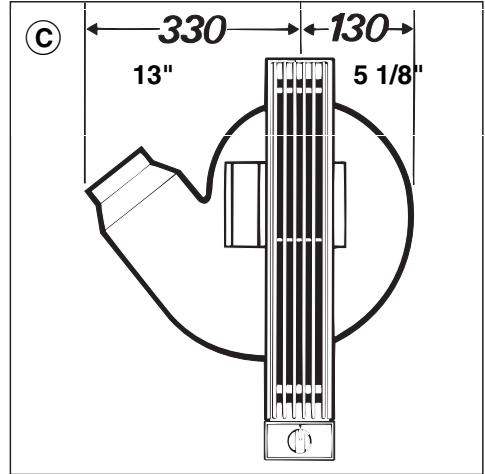
- The exhaust ducting should be as short and straight as possible.
 - The use of angled pipes should be avoided, as this will reduce the air flow of the extractor.
 - Only use ducting made of non-flammable material.
 - The exhaust ducting may be angled either to the left, right or downwards.
- If the ducting is run beneath the cabinets it requires a toe kick height of at least 5-15/16 ".
- If the ducting is run horizontally, ensure that there is a gradient of at least 1/8 " per foot, so that condensation will not run into the appliance.

Exhaust connections

Vent connection variations



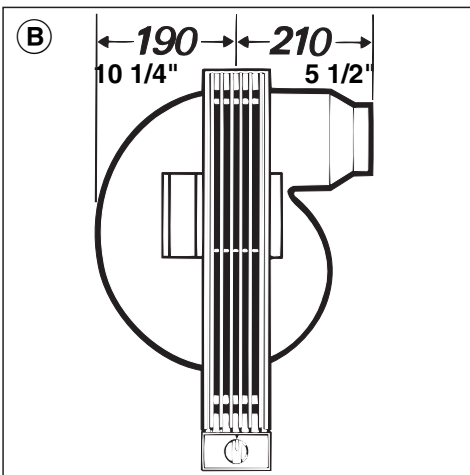
In connection examples B and C, neither the KM 88 nor the KM 89 can be installed to the left of the DA 8, since it will not be possible to place a container beneath the oil drain valve.



- An opening of at least 135 mm (5-5/16") diameter must be cut in the kitchen cabinet in order to allow the exhaust ducting to pass through.

Mount the fan so that the impeller cannot be inadvertently reached by hand.

- The exhaust ducting should be attached to the exhaust connection using the supplied hose clamp.



Exhaust connections

Calculation of exhaust ducting

A pipe diameter of 5" should ensure trouble-free extraction up to a total pipe length of 5.4. meters (17 1/2 ft).

Determine the total pipe length as follows:

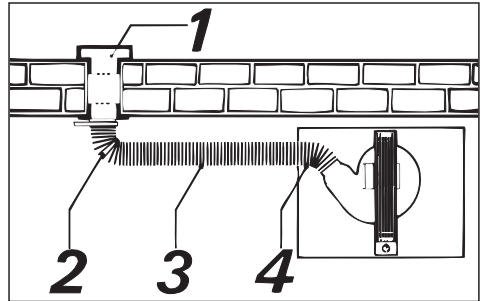
- Measure the total length of ducting needed.
- Add the length of additional ducting to this figure according to the number and type of bends (see table below).

Note

If the exhaust ducting will run through rooms, ceiling space etc. where there may be variations in temperature the problem of sweating or condensation will have to be addressed.

The exhaust ducting may need to be insulated.

Example



Wall vent (1)	1.1 m	43"
Flexible 90° bend (2)	0.3 m	12"
Flexible pipe (3)	1.0 m	39"
Flexible 45° bend (4)	0.2 m	8"
Total pipe length	2.6 m	8 1/2"

With a total pipe length of 8¹/₂ ft. (102") the exhaust is within the effective range.

Air flow rates:

- Setting 1 240 m³/h (145 CFM)
- Setting 2 465 m³/h (275 CFM)

Type of bend	Angle of bend	Radius of bend (in mm)	Radius of bend (in inches)	Effective pipe length (in meters)	Effective pipe length (in inches)
Flexible pipe	45°	120	4 3/4	0.2	8"
	90°	120	4 3/4	0.3	12"
Wall vent				1.0	39"

Miele

Miele Appliances, Inc.

National Headquarters

22D Worlds Fair Drive
Somerset, NJ 08873
Phone: 732-560-0899
or 800-843-7231
Fax: 732-560-9649
Internet: <http://www.mieleUSA.com>

Southeast Regional Headquarters

6400 Congress Avenue
Suite 1700
Boca Raton, FL 33487
Phone: 561-995-8030
Fax: 561-995-8083

West Coast Regional Headquarters

680 Eighth Street
Suite 168 - Sobel Building
San Francisco, CA 94103
Phone: 415-241-6820
Fax: 415-241-6822

REGIONAL SERVICE 800-245-8215

Southern California Showroom

189 North Robertson Blvd.
Beverly Hills, CA 90211
Phone: 310-855-9470
Fax: 310-358-0238

Mid West Regional Headquarters

3100 West Dundee Road
Suite 901
Northbrook, IL 60062
Phone: 847-714-9433
Fax: 847-714-9434

Miele Limited

Canadian Head Office

55G East Beaver Creek Road
Richmond Hill
Ontario L4B 1E5
Phone (905) 707-1171
Fax (905) 707-0177

Toll-Free: 1-800-565-6435

Internet: www.miele.ca
E-Mail: info@miele.ca
(general enquiries)
E-Mail: service@miele.ca
(technical service)

BC Regional Sales Office

3731 North Fraser Way, Unit 200
Burnaby, British Columbia V5J 5J2
Phone (604) 434-1300
Fax (604) 434-1309

Free Manuals Download Website

<http://myh66.com>

<http://usermanuals.us>

<http://www.somanuals.com>

<http://www.4manuals.cc>

<http://www.manual-lib.com>

<http://www.404manual.com>

<http://www.luxmanual.com>

<http://aubethermostatmanual.com>

Golf course search by state

<http://golfingnear.com>

Email search by domain

<http://emailbydomain.com>

Auto manuals search

<http://auto.somanuals.com>

TV manuals search

<http://tv.somanuals.com>