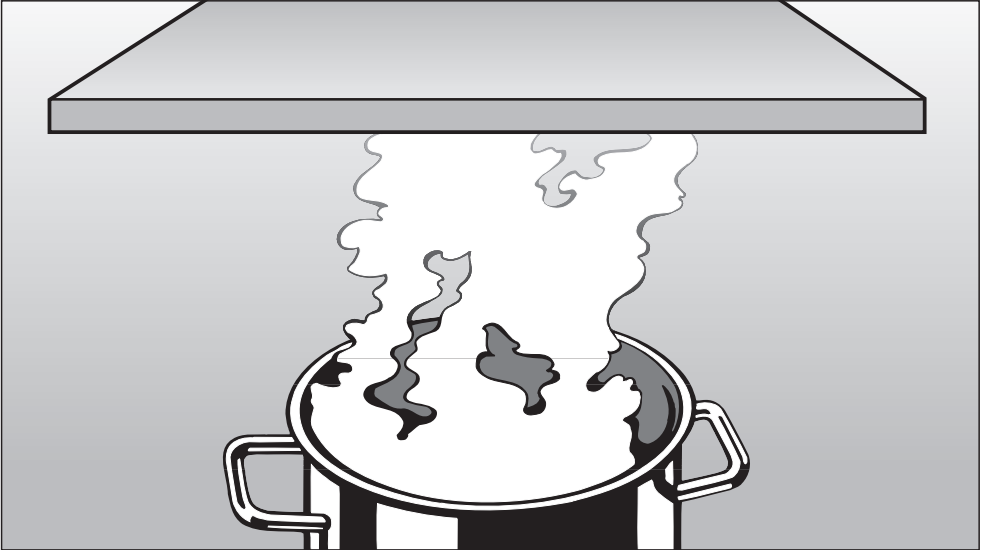


Operating and Installation Instructions



Ventilation System

DA 211

DA 218

To prevent accidents
and machine damage,
read these instructions

before

installation or use.



M.-Nr. 05 802 950

IMPORTANT SAFETY INSTRUCTIONS	4
Guide to the appliance	8
Functional description	10
Operation	11
Turning on the fan	11
Selecting the power level.	11
Delayed Shut Down	12
Turning off the fan	12
Turning the lighting on/off	12
Dimming the lighting	12
Filter timers	13
Checking the filter timers	13
Reprogramming the timers	14
Cleaning and Care	16
Cleaning the casing.	16
Grease filters	17
Active charcoal filters.	18
Changing the light bulb	19
After Sales Service	20
Installation instructions	21
Caring for the environment	23
Installation accessories	24
Plywood backing	26
Electrical data.	27
Appliance dimensions	28
Installation	31
Retaining plates	31
Attaching the canopy.	33
Inserting the non-return flap	34
Electrical connection	35
Air extraction exhaust connection	35
Recirculation connection	36
Attaching the chimney extension.	36
Air extraction	40
Condensate trap	41

IMPORTANT SAFETY INSTRUCTIONS

Read these Operating Instructions carefully before installing or using the Ventilation System.

This appliance is intended for residential use only. Use the appliance only for its intended purpose. The manufacturer cannot be held responsible for damages caused by improper use of the hood.

This appliance complies with current safety requirements. Improper use of the appliance can lead to personal injury and material damage.

READ AND SAVE THESE INSTRUCTIONS

CAUTION

Use only for general ventilation. Do not use to exhaust hazardous or explosive materials and vapors.

■ This appliance is designed to vent cooking smoke and odors only.

■ Be certain your appliance is properly installed and grounded by a qualified technician.

To guarantee the electrical safety of this appliance, continuity must exist between the appliance and an effective grounding system. It is imperative that this basic safety requirement be met. If there is any doubt, have the electrical system of the house checked by a qualified electrician. The manufacturer cannot be held responsible for damages caused by the lack, or inadequacy, of an effective grounding system.

■ Before connecting the appliance to the power supply make sure that the voltage and frequency listed on the data plate correspond with the household electrical supply. This data must correspond to prevent machine damage. If in doubt consult a qualified electrician.

■ Installation work and repairs should only be performed by a qualified technician in accordance with all applicable codes and standards. Repairs and other work by unqualified persons could be dangerous and the manufacturer will not be held responsible.

IMPORTANT SAFETY INSTRUCTIONS

■ This equipment is not designed for maritime use or for use in mobile installations such as recreational vehicles or aircraft. However, under certain conditions it may be possible for installation in these applications. Please contact the nearest Miele dealer or the Technical Service Department with specific requirements.

■ Before servicing or cleaning the unit, switch power off at the service panel and lock the service disconnecting means to prevent power from being switched on accidentally. If the service disconnecting means cannot be locked, securely fasten a prominent warning device, such as a tag, to the service panel.

■ Before discarding an old appliance, unplug it from the power supply and remove the power cord and any doors to prevent hazards.

Use

■ Do not allow children to play with or operate the appliance or its controls. Supervise its use by the elderly or infirm.

■ Be careful when preparing a flambé beneath the hood. Flames may be drawn up into the hood by the suction and the grease filters may catch fire.

■ Do not use the hood without the grease filters in place.


■ Clean the grease filters regularly. Dirty filters are a fire hazard.


■ Do not use a steam cleaner to clean the hood. Steam could penetrate the electrical components and cause a short circuit.


■ Always turn on the hood when using the cooktop to prevent damage from condensation.


IMPORTANT SAFETY INSTRUCTIONS

WARNING - TO REDUCE THE RISK OF A COOKTOP GREASE FIRE:

 Never leave surface units unattended at high settings. Boilovers cause smoking and greasy spillovers may ignite. Heat oils slowly on low or medium settings.

 Always turn the hood on when cooking at high heat or when cooking flaming foods.

 Clean ventilation fans frequently. Grease should not be allowed to accumulate on the fan or filter.


 Use the proper pan size. Always use cookware appropriate for the size of the surface element.


WARNING TO REDUCE THE RISK OF INJURY TO PERSONS IN THE EVENT OF A COOKTOP GREASE FIRE, OBSERVE THE FOLLOWING:

 **SMOTHER FLAMES** with a close fitting lid, cookie sheet, or metal tray, then turn off the burner.

BE CAREFUL TO PREVENT BURNS. If the flames do not go out immediately, **EVACUATE AND CALL THE FIRE DEPARTMENT.**

 **NEVER PICK UP A FLAMING PAN** - You may be burned.


 **DO NOT USE WATER**, including wet dishcloths or towels - a violent steam explosion may result.


 Use a fire extinguisher **ONLY** if:

- You have a Class ABC extinguisher, and know how to operate it.
- The fire is small and contained in the area where it started.
- The fire department has been called.
- You can fight the fire with your back to an exit.

IMPORTANT SAFETY INSTRUCTIONS

Installation

 **WARNING**
To reduce the risk of fire only use metal ductwork.


 When installing the hood, follow the recommended minimum safety distances between a Miele cooktop and the hood:


- 22" (55 cm) above electric cooktops,
- 26" (65 cm) above gas cooktops,
- 26" (65 cm) above an open grill.


If local building codes require a greater safety distance, follow their requirement.


For non-Miele cooking appliances maintain the safety distances recommended by the appliance manufacturer.


If there is more than one appliance beneath the hood and they have different minimum safety distances always select the greater distance.

 Be careful not to damage hidden electrical wiring or plumbing when cutting or drilling into the wall or ceiling.


 Do not use an extension cord to connect the appliance to electricity. Extension cords do not guarantee the required safety of the appliance, (e.g. danger of overheating).

 Do not install this hood over cooktops burning solid fuel.

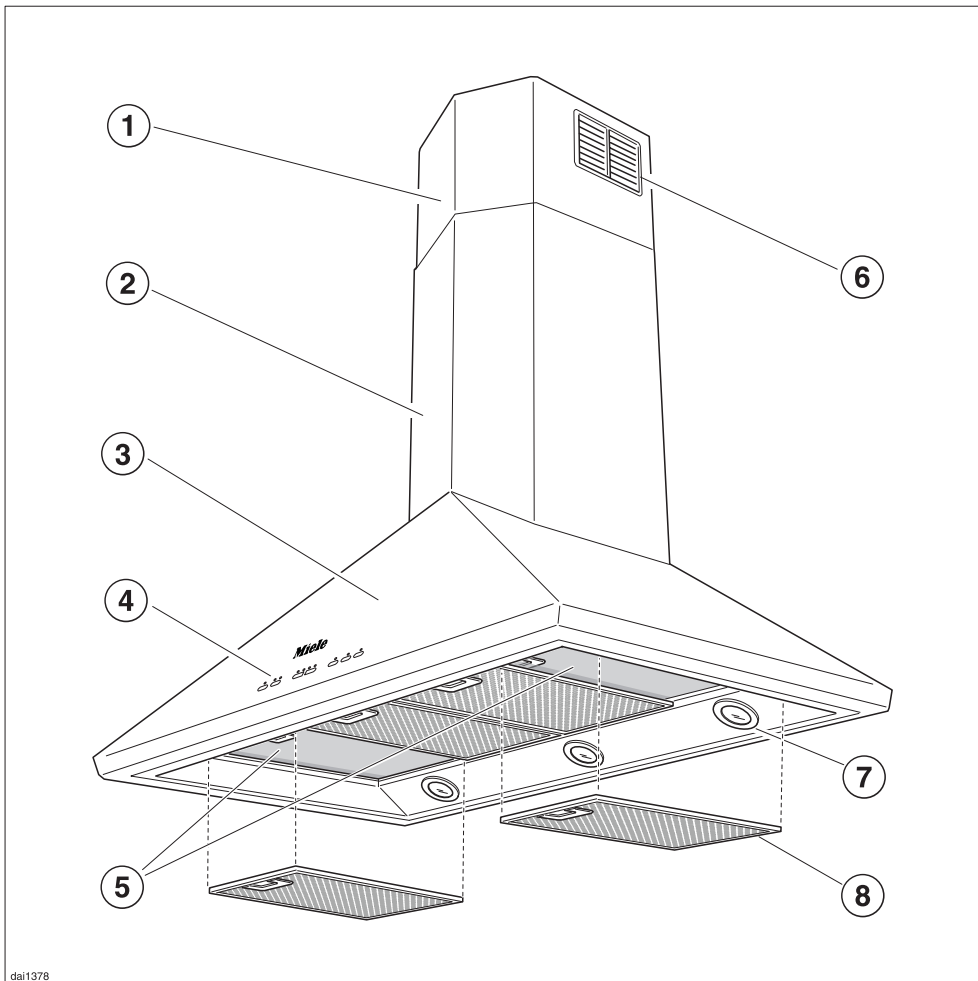
 Any fittings, sealant, or materials used to install the ductwork must be made of approved non-flammable materials.

 Never connect an exhaust hood to an active chimney, dryer vent, vent flue, or room ventilating ductwork. Seek professional advice before connecting an exhaust hood vent to an existing, inactive chimney or vent flue.

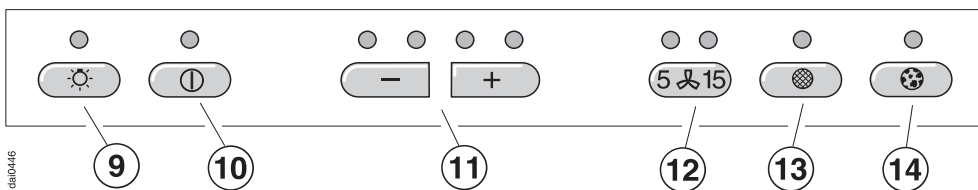
 Ducted fans must always be vented outdoors.

 Make sure that the airflow in the room is sufficient for combustion and exhausting of all non-electric heating appliances (water heaters, gas cooktops, gas ovens, etc.), otherwise backdrafts may occur. Follow the heating manufacturer's guidelines and safety standards or those published by the National Fire Protection Association (NFPA), or the American Society for Heating, Refrigeration and Air Conditioning Engineers (ASHRAE). If in doubt, consult an experienced professional.

Guide to the appliance



dai1378



dai0446

① Chimney extension

② Chimney

③ Canopy

④ Control panel

⑤ Active charcoal filter

⑥ Recirculation vent

⑦ Overhead lighting

⑧ Grease filters

⑨ Light button

⑩ On/Off button

⑪ Fan power level buttons

Four fan speed selection

⑫ Delayed Shut Down

This button activates the Delayed Shut Down feature. The fan can be set to turn off automatically after either 5 or 15 minutes.

⑬ Grease filter button

The indicator above the grease filter button lights when the grease filters need to be cleaned. This button is also used:

- to reset the grease filter timer after cleaning the grease filters (see "Cleaning and Care").
- to show how long the grease filters have been in use (see "Operation / Filter timers").
- to change the number of hours counted by the grease filter timer (see "Operation / Reprogramming the filter timers").

⑭ Charcoal filter button

(used in recirculation mode only)

The indicator above the charcoal filter button lights when the charcoal filters need to be replaced.

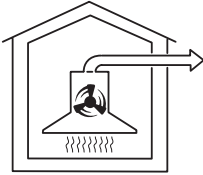
This button is also used:

- to reset the charcoal filter timer after changing the filters (see "Cleaning and care").
- to show how long the charcoal filters have been in use (see "Operation / Filter timers").
- to change the number of hours counted by the charcoal filter timer (see "Operation / Reprogramming the timers").

Functional description

The hood offers two modes of operation:

Air extraction



The air is drawn in and cleaned by the grease filters and directed outside.

The hood comes equipped with a **non-return flap**. This flap automatically closes when the hood is turned off so that no exchange of outside air and room air can occur. When the hood is turned on, the air pressure of the exhaust fan automatically opens the flap blowing the inside air and cooking odors outside.

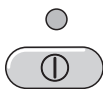
Recirculation mode



Air is drawn through the grease filters and an **active charcoal filter**. The filtered air is then recirculated back into the kitchen through a vent at the top of the hood's chimney.

Before using the hood in recirculation mode, ensure that the active charcoal filters are in place, see "Cleaning and care".

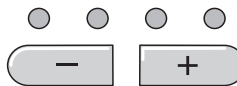
Turning on the fan



- Press the On/Off button.

The fan runs at power level "2".
The On/Off indicator lights.

Selecting the power level



- Use the **[-][+]** controls to select the desired power level.

[+] =increases the fan speed
[-] =decreases the fan speed

Level "1" to "3" (green indicators) are usually sufficient for normal cooking.

Intensive setting

Level "4" (yellow indicator) should be used for a short period when frying or cooking food with a strong aroma.

Fan performance

The maximum air flow capacity is 625 cfm. Factors such as narrow duct diameter and bends will affect this value.

Level 1 operates at 40% capacity
Level 2 operates at 60% capacity
Level 3 operates at 80% capacity
Level 4 operates at 100% capacity

There will also be a slight decrease in airflow for hoods operated in recirculation mode due to the active charcoal filter.

Operation

Delayed Shut Down

If odors or smoke remain in the kitchen after cooking has been completed, the Delayed Shut Down feature can be selected to allow the hood to continue running for either 5 or 15 minutes.



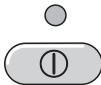
- Press the Delayed Shut Down button while the fan is still running.

Press once = 5 minute delay
(left indicator lights)

Press twice = 15 minute delay
(right indicator lights)

To cancel the Delayed Shut Down feature press the button again.

Turning off the fan

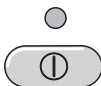


- Press the On/Off button to turn the fan off.

The indicator goes out.

Automatic Safety Shut Off

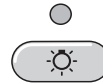
The fan will turn off automatically 10 hours after the last button was activated. The lighting however will remain on.



- Press the On/Off button to turn the fan back on again.

Turning the lighting on/off

The overhead lighting can be turned on and off independently of the fan.



- Press the light button **briefly** to turn on the lighting.

The light button indicator illuminates.

- Press the light button **briefly** again to turn off the lighting.

The light button indicator will go out.

Dimming the lighting

The brightness of the lighting can be adjusted.

- While the lighting is turned on, press the light button.
The lighting will dim until the button is released.
- If the button is pressed again, the lighting will brighten until the button is released.

If the button is pressed continuously, the light will cycle between bright and dark.

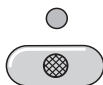
- Press the light button again to turn off the lighting.

Filter timers

Grease filters

A timer monitors the hours of fan operation. The indicator for the grease filter will light after 30 hours of operation. The grease filters must then be cleaned.

After the grease filters have been cleaned and put in place, the grease filter timer must be reset.



- To do this, press the grease filter button for about 3 seconds.

The indicator will go out.

Charcoal filters

The timer for the charcoal filter is not preset. Please program this timer, see "Operation/Reprogramming the charcoal filter timer".

The charcoal filter indicator will light once the selected time has elapsed. The charcoal filters must then be replaced and the charcoal filter timer must be reset.

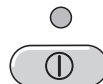


- To do this, press the charcoal filter button for about 3 seconds.

The indicator will go out.

Checking the filter timers

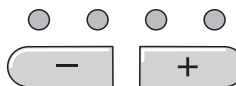
To check the percentage of time already used:




- Press the On/Off button to turn the fan on.



- Press the grease or charcoal filter button.



The number of flashing  indicators show the percentage of programmed hours that have been used.

- 1 indicator = less than 25 %
- 2 indicators = less than 50 %
- 3 indicators = less than 75 %
- 4 indicators = less than 100 %

This information will remain stored in memory in the event of a power failure.

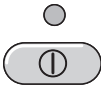
Operation

Reprogramming the timers

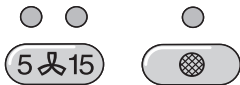
The grease filter timer is preset to 30 hours. This time can be lengthened or shortened to 20, 30, 40 or 50 hours.

- A time of 20 hours should be programmed in kitchens with frequent pan or deep frying.
- A time of 20 hours should also be programmed if the kitchen is only used occasionally. Otherwise grease which has accumulated over a long period of time will harden on the filters making cleaning more difficult.

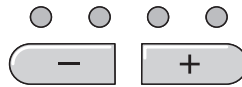
Reprogramming the grease filter timer





- Press the On/Off button to turn off the fan.




- Press the Delayed Shut Down and grease filter buttons at the same time.

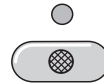


The indicator for the grease filter and one of the   indicators will flash.

The lit indicator shows the programmed time:

- 1st indicator from the left = 20 hours
- 2nd indicator from the left = 30 hours
- 3rd indicator from the left = 40 hours
- 4th indicator from the left = 50 hours

- Use the  or  button to select the desired time.



- Store the selection by pressing the grease filter button.

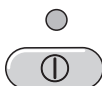
If the procedure is not stored within 4 minutes of programming, the hood will automatically default to the "old" data.

Reprogramming the charcoal filter timer

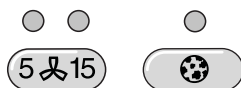
The active charcoal filter can only be used in recirculation mode and can not be used to exhaust fumes.

The charcoal filter timer is **not preset**.

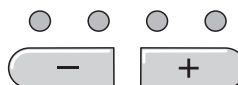
Before using the hood in recirculation mode, the charcoal filter timer must be programmed.




- Turn off the fan using the On/Off button.



- Press the Delayed Shut Down and Charcoal Filter buttons at the same time.



The indicator for the charcoal filter and one of the  indicators will flash.

The lit indicator shows the programmed time:

- 1st indicator from the left = 20 hours
- 2nd indicator from the left = 30 hours
- 3rd indicator from the left = 40 hours
- 4th indicator from the left = 50 hours

- Use the  or  button to select the desired time.




- Store the selection by pressing the charcoal filter button.

If the procedure is not stored within 4 minutes of programming, the hood will automatically default to the "old" data.

Cleaning and Care

Before cleaning or servicing the hood, disconnect it from the power supply by either removing the fuse, unplugging it from the outlet or manually "tripping" the circuit breaker.

Cleaning the casing

 Never use abrasive cleaners, scouring pads, steel wool or caustic (oven) cleaners on the hood. They will damage the surface.

- All external surfaces and controls can be cleaned with warm water and liquid dish soap applied with a soft sponge.
- Wipe dry using a soft cloth.

Do not use too much water when cleaning the controls. Water could penetrate into the electronics and cause damage.

Avoid:

- cleaning agents containing soda, acids or chlorides,
- abrasive cleaning agents e.g. powder or cream cleansers,
- abrasive sponges, e.g. pot scourers or sponges which have been previously used with abrasive cleaning agents.

These will damage the surface.

Stainless steel

Stainless steel surfaces can be cleaned using a non-abrasive stainless steel cleaner.

To help prevent resoiling, a conditioner for stainless steel can also be used. Apply sparingly with even pressure.

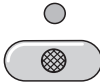
Stainless steel colored controls

These controls may become discolored or damaged if not cleaned regularly.

Do not use a stainless steel cleaner on these controls.

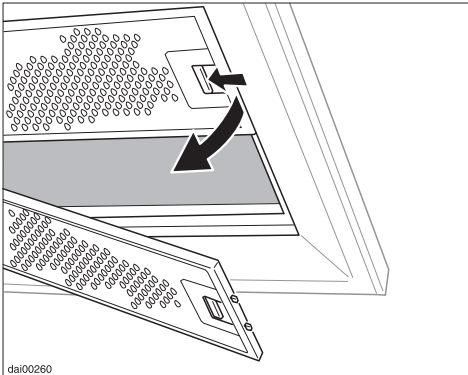
Grease filters

The reusable metal grease filters remove solid particles from the vented kitchen air (grease, dust, etc).



The grease filters should be cleaned every 3 - 4 weeks or whenever the grease filter indicator lights.

A dirty filter is a fire hazard.



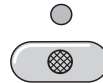
- To remove the grease filters press the locking clips in towards the middle of the filter. Holding carefully, lower and remove the filter.
- Clean the filters
 - **by hand:** use a scrub brush in warm water with a mild detergent.
 - **in a dishwasher:** place the filters in the lower basket, making sure that the spray arm is not blocked.

Depending on the detergent, cleaning the grease filters in a dishwasher may cause permanent discoloration of the filter surface. Performance of the filter will not be affected by this discoloration.

- After cleaning, the filters can be placed on a towel to air dry.
- While the filters are removed, clean any dirt or grease from the filter casing to prevent the risk of fire.

When putting the grease filters back make sure that the locking clips are visible facing down towards the cooking surface.

If a filter is incorrectly installed, insert a small screwdriver into the slit along its edge to disengage it from the casing.



- After returning the grease filters, press the grease filter button for 3 seconds to reset the timer. The indicator light will go out.
- If the grease filters are cleaned before the timer has reached its maximum, the grease filter button should be pressed for 6 seconds to reset the counter to zero.

Cleaning and Care

Active charcoal filters

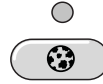
In recirculation mode two active charcoal filters must be used in addition to the grease filters. The charcoal filters are designed to absorb cooking odors.

Replacement active charcoal filters can be ordered from the Miele Technical Service Department.
USA 1-800-999-1360
CDN 1-800-565-6435
Please quote part # 03 284 681.

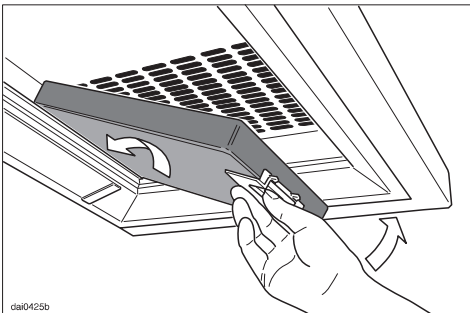
- Remove the grease filters to access the charcoal filters.

Follow the instructions supplied with the active charcoal filters.

Replace the active charcoal filters when the **charcoal filter indicator** lights. Replace the filters at least every 6 months or when they no longer absorb odors efficiently.



- After replacing the charcoal filters, press and hold the charcoal filter button for about 3 seconds to reset the charcoal filter timer. The indicator light will go out.
- If the charcoal filters are replaced before the timer has reached its maximum, the charcoal filter button should be pressed for 6 seconds to reset the counter to zero.



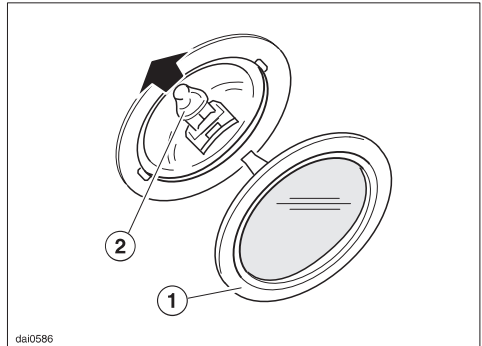
Changing the light bulb

Before changing the light bulbs, disconnect the hood from the power supply by either removing the fuse, unplugging it, or manually "tripping" the circuit breaker.

When in use halogen bulbs become extremely hot, and they can burn your hands. Do not attempt to change the bulbs until they have had sufficient time to cool.

Do not touch the bulb surface. Fingerprints or body oils deposited on the bulb will decrease the life of the bulb.

Follow the bulb manufacturer's instructions.



- To change the halogen bulb first remove the lamp cover, ①.
- Pull the bulb, ②, out of its socket and replace with a new one.
- Return the lamp cover, ①.

Never use the lighting without the lamp cover, ①, in place. The glass is specially made to filter harmful light rays.

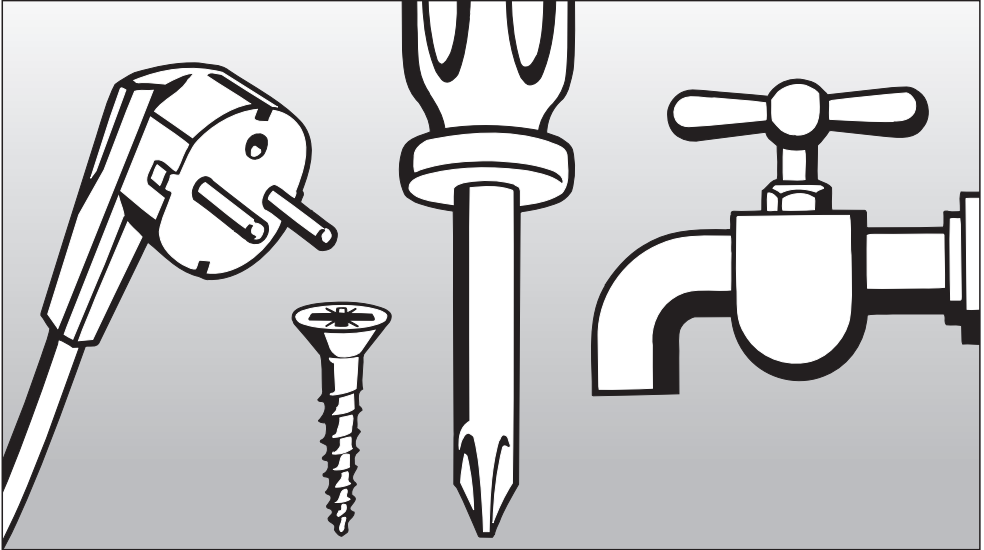
After Sales Service

In the event of a fault which you cannot correct yourself please contact the Miele Technical Service Department :

USA 1-800-999-1360
techserv@mieleusa.com

CDN 1-800-565-6435
service@miele.ca

When contacting the Technical Service Department, please quote the model and serial number of your appliance. These are shown on the data plate which is visible when the grease filter is removed.



Installation Instructions

Disposal of packing material

The cardboard box and packing materials protect the appliance during shipping. They have been designed to be biodegradable and recyclable. Please recycle.

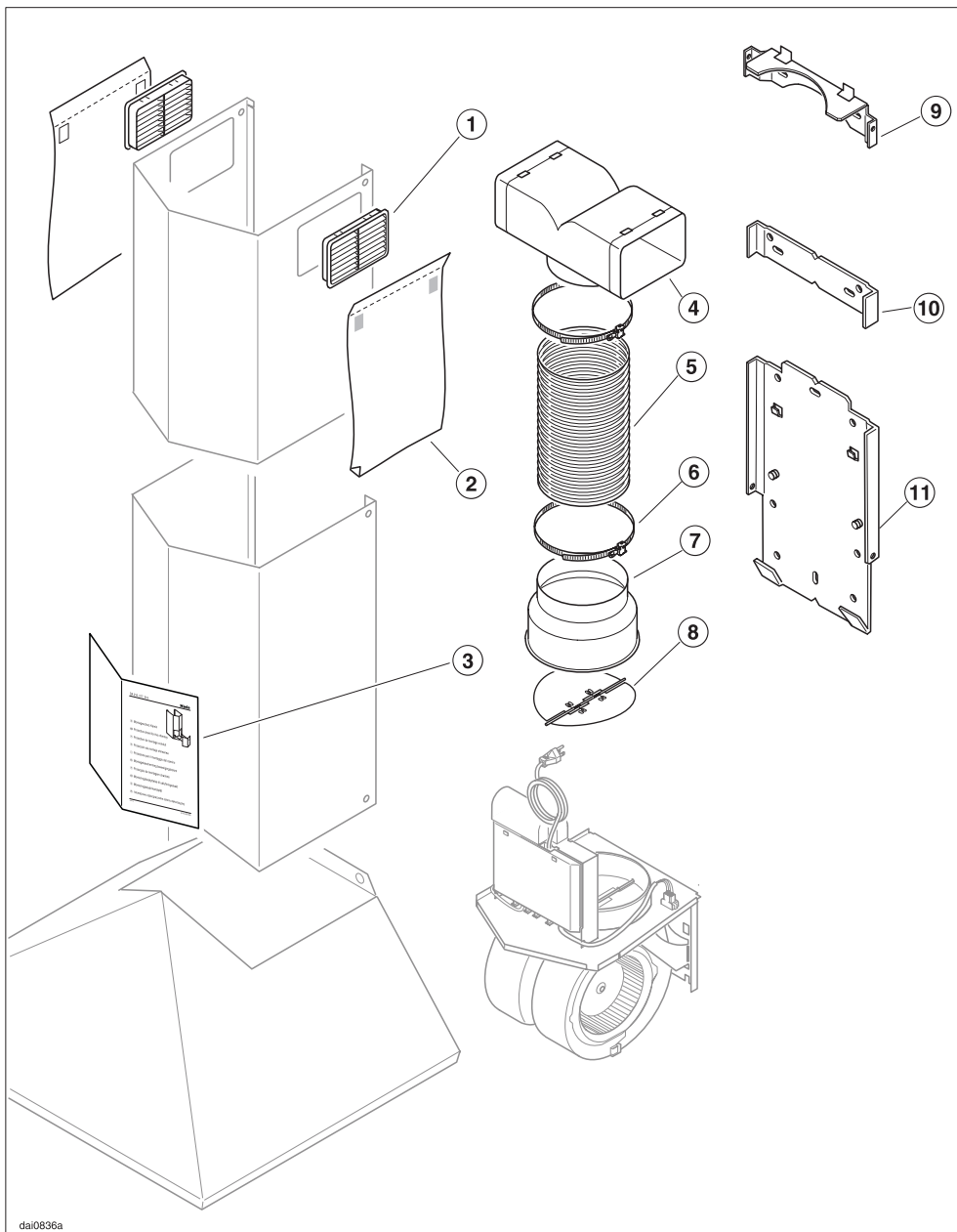
To prevent suffocation of children, ensure that any plastic wrappings, bags, etc. are disposed of safely and kept out of their reach.

Disposal of an old appliance

Old appliances may contain materials that can be recycled. Please contact your local recycling authority about the possibility of recycling these materials.

Before discarding an old hood, unplug it from the outlet and cut off its power cord to prevent hazards.

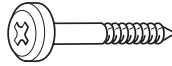
Installation accessories



dai0836a

Installation accessories

- ① **2 recirculation vents**
(recirculation mode only)
- ② **2 protective shields**
prevent scratches to the chimney during installation.
- ③ **1 protective shield**
prevents scratches from the canopy during installation.
- ④ **1 diverter**
(recirculation mode only)
- ⑤ **1 flex hose** for connecting the diverter to the exhaust connection.
- ⑥ **2 hose clips** for securing the ducting.
- ⑦ **1 reducing collar**
for use with 5" (125 mm) exhaust ducting.
- ⑧ **1 non-return flap** for vented air extraction only.
- ⑨ **Upper retaining plate B** secures the chimney extension.
- ⑩ **Middle retaining plate C** for additional stability of the chimney.
- ⑪ **Lower retaining plate A** secures the canopy and motor assembly.



12 large headed screws 5 x 40 mm
for securing the retaining plates and the canopy.

(S8 wall anchors included in the packaging are not for use in USA / CDN.)



2 M 6 locking nuts for securing the motor assembly.



4 screws 3.9 x 7.5 mm for securing the chimney and the chimney extension

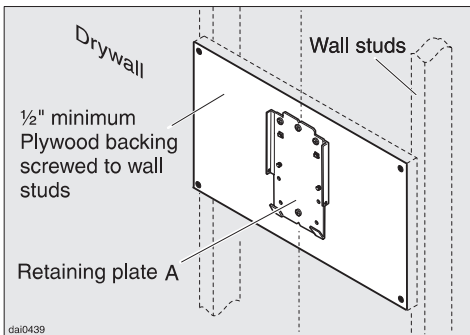
CAUTION:
During the installation process please be careful of sharp edges that can cause harm.

Plywood backing

The majority of the weight of the installed ventilation system will be supported by retaining plate A. It must be firmly attached to the stud framing behind the drywall. If studs are not available in the required locations, a plywood backing (min. $\frac{1}{2}$ " (13 mm) thick) spanning at least two studs must be installed. Failure to adequately support the weight as stated may result in the ventilation system falling off the wall, causing personal injury and property damage.

(If plywood backing is not needed, proceed to "Attaching the retaining plates to the wall.")

To install a plywood backing board



- Make a mark, **S** + $16 \frac{3}{4}$ " (425 mm) above the cooktop and on the centerline.
- Make a second mark $12 \frac{3}{4}$ " (324 mm) underneath the first one.

- Hold retaining plate A against the wall so that the marks are visible through the holes of the plate (see "Installation / Retaining plate A"). Draw a line around the plate's perimeter, then set aside the plate.
- Make a cutting line 3" (76 mm) above and 3" (76 mm) below the outline of plate "A".
- Find the studs to the left and right of the mounting location by tapping the wall or using a stud finder.
- Mark a vertical cutting line along the center of each stud.

Be careful not to damage any wiring or plumbing that may be located behind the wall. Make sure that the power supply to the area where this installation is being performed has been turned off at the breaker panel before cutting into the wall.

- Remove the drywall between the cutting lines and replace it with plywood of a matching thickness (min. $\frac{1}{2}$ " (13 mm) thick). Tape the joints and refinish the wall.
- Proceed to "Attaching the Retaining plates to the wall" to complete the installation.

All electrical work should be performed by a qualified electrician in strict accordance with national and local safety regulations.

Installation, repairs and other work by unqualified persons could be dangerous. The manufacturer can not be held responsible for unauthorized work.

Ensure that power to the appliance is OFF while installation or repair work is performed.

Verify that the voltage, load and circuit rating information found on the data plate (located behind the grease filters), match the household electrical supply before installing the hood.

If there is any question concerning the electrical connection of this appliance to your power supply, please consult a licensed electrician or call Miele's Technical Service Department.

USA 1-800-999-1360

CDN 1-800-565-6435

WARNING:
THIS APPLIANCE MUST BE
GROUNDED

Important

The hood comes equipped with a 5 ft (1.5 m) power cord with a NEMA 5-15 molded plug for connection to a 120 VAC, 60 Hz, 15 A power outlet.

Maximum load

DA 217-2, 219-2 410 W

Lighting

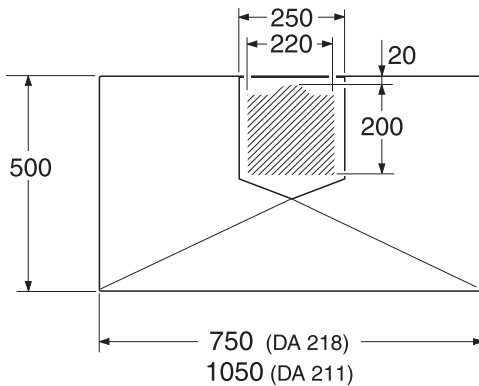
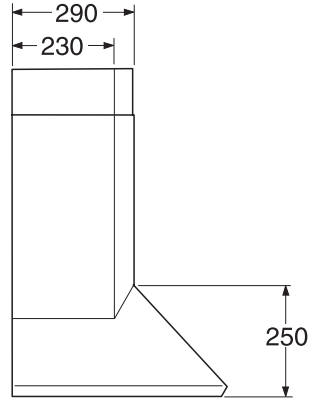
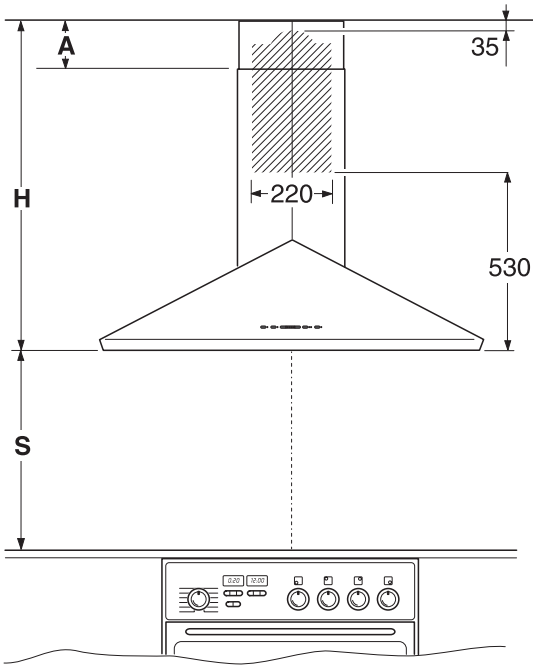
DA 217-2, 219-2 3 x 20 W

Voltage 120 V

Frequency 60 Hz

Circuit rating 15 A

Appliance dimensions



mm	inch
20	7/8"
35	1 2/8"
200	7 7/8"
220	7 11/16"
230	9
250	9 7/8"
290	11 7/16"
500	19 11/16"
530	20 7/8"
750	29 1/2"
1050	41 3/8"

Appliance dimensions

Do not install this exhaust hood over cooktops burning solid fuel.

When installing the hood, make sure that the following **minimum distance (S)** between the top of a Miele cooking surface and the bottom of the hood is:

- 22" (55 cm) above electric cooktops
- 26" (65 cm) above gas cooktops
- 26" (65 cm) above an open grill

For non-Miele cooking appliances maintain the safety distances recommended by the cooktop manufacturer in their installation and operating instructions.

If there is more than one appliance beneath the hood and they have different minimum safety distances always select the greater distance.

See "Warning and Safety instructions" for further information.

26" (65 cm) is recommended for all installations to allow for optimum work space under the hood.

Read the entire installation procedures and determine height (**S**) before beginning the installation. Installation producers differ depending on the model and venting method.

If the hood is fitted flush to the ceiling make sure that the remaining distance to the ceiling is not greater or less than appliance height **H**.

Standard unit height **H**:

DA 211

Extraction 29 ¹/₈" - 37 ¹/₂"
. (740 - 978 mm)

Recirculation 32 ³/₄" - 41 ⁷/₈"
. (832 - 1064 mm)

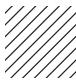
DA 218

Extraction 29 ¹/₈" - 38 ¹/₄"
. (740 - 972 mm)

Recirculation 31 ³/₄" - 40 ⁷/₈"
. (807 - 1038 mm)

* With air extraction to the rear through a wall the total height must be at least 31 ¹/₈" (790 mm).

To fit the chimney, distance **A** between the top of the chimney and the ceiling must be at least ⁷/₈" (20 mm).

 Cut out area in wall or ceiling for entrance of 6" (150 mm) ductwork or 5" (125 mm) ductwork with a reducing collar.

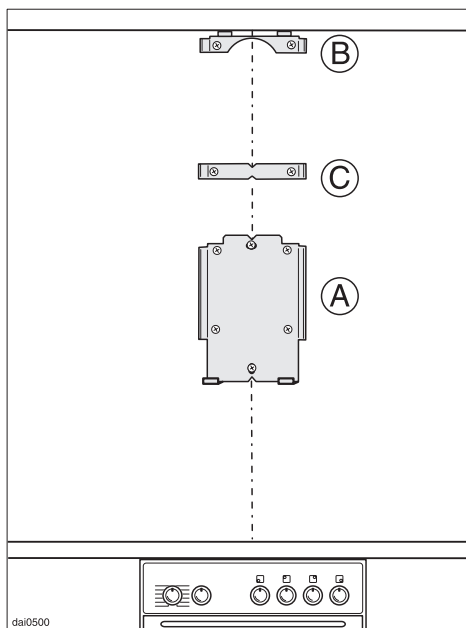
Appliance dimensions

If the standard unit height **H** is not suitable to the kitchen's ceiling height, longer optional chimney extensions are available from your Miele dealer or Miele's Technical Service Department.

DA 211	Extraction	Recirculation
Standard unit H	29 ¹ / ₈ " - 38 ¹ / ₂ " 740 mm - 978 mm	32 ³ / ₄ " - 41 ⁷ / ₈ " 832 mm - 1064 mm
DATK 217/219 605	38 ¹ / ₂ " - 48" 978 mm - 1220 mm	41 ⁷ / ₈ " - 51 ³ / ₁₆ " 1064 mm - 1300 mm
DATK 217/219 840	48" - 57 ¹ / ₂ " 1220 mm - 1460 mm	51 ³ / ₁₆ " - 60 ¹ / ₂ " 1300 mm - 1536 mm

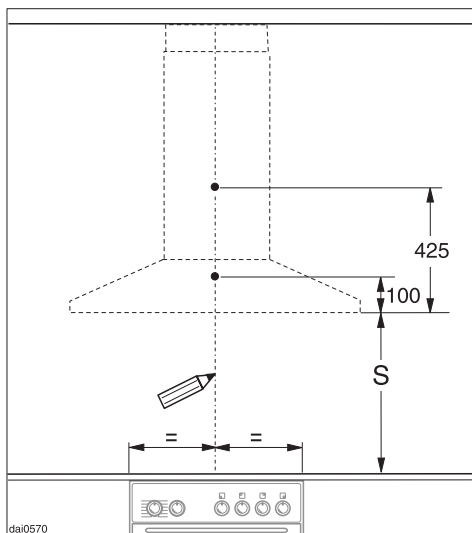
DA 218	Extraction	Recirculation
Standard unit H	29 ¹ / ₈ " - 38 ¹ / ₂ " 740 mm - 971 mm	31 ³ / ₄ " - 40 ⁷ / ₈ " 806 mm - 1038 mm
DATK 217/219 605	38 ¹ / ₄ " - 47" 971 mm - 1195 mm	40 ⁷ / ₈ " - 50 ³ / ₁₆ " 1038 mm - 1275 mm
DATK 217/219 840	47" - 56 ¹ / ₂ " 1195 mm - 1435 mm	50 ³ / ₁₆ " - 59 ¹ / ₂ " 1275 mm - 1511 mm

Retaining plates



The ventilation system will be mounted to the wall through the use of retaining plates. Plate A is installed first, followed by plate B. Plate C should only be used if the distance between plate A and plate B is greater than $14 \frac{3}{8}$ " (365 mm).

Attaching the retaining plates to the wall

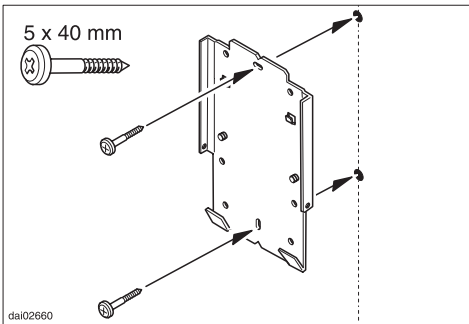


- Before fitting the retaining plate draw a vertical line centrally above the cooktop on the rear wall.
- Mark measurement **S** from the cooktop surface upwards (see "Appliance dimensions"). This marks the height of the lower rim of the hood.

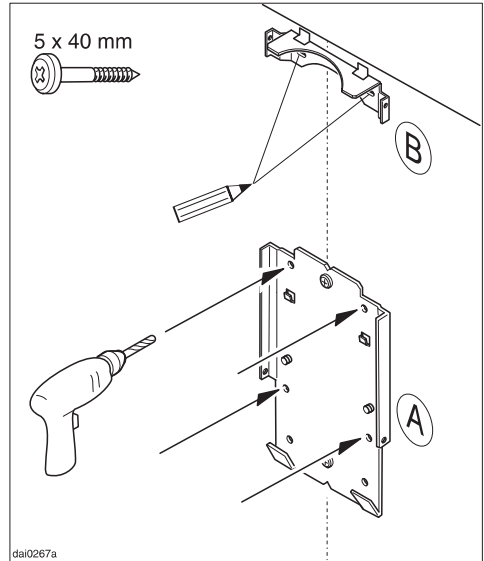
Installation

Retaining plate A

- Drill two $\frac{1}{8}$ " (3 mm) holes, one at **S** + 4" (100 mm) and one at **S** + 16 $\frac{3}{4}$ " (425 mm) on the center line for the retaining plate (see "Appliance dimensions").



- Lightly secure retaining plate A into position using 5 x 40 mm screws through the two holes and use the notches to align with the center line.

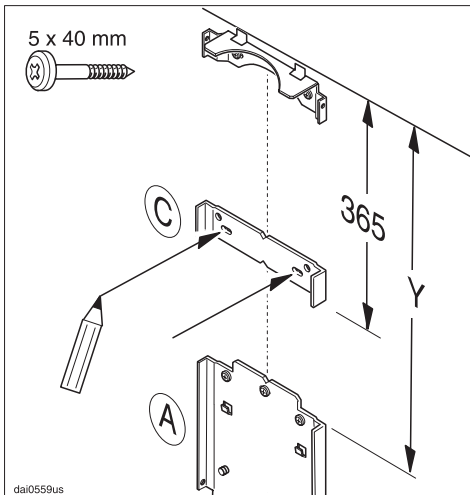


- Drill 4 more $\frac{1}{8}$ " (3 mm) holes through the now fitted retaining plate.
- Screw two 5 x 40 mm screws into the upper two holes.

Retaining plate B

- Hold retaining plate B to the wall and push up until it is directly below the ceiling. Use the notches and the center line to align it horizontally. Mark the 2 drill holes on the wall.
- Drill two $\frac{1}{8}$ " (3 mm) holes into the wall.
- Secure the retaining plate with two 5 x 40 mm screws.

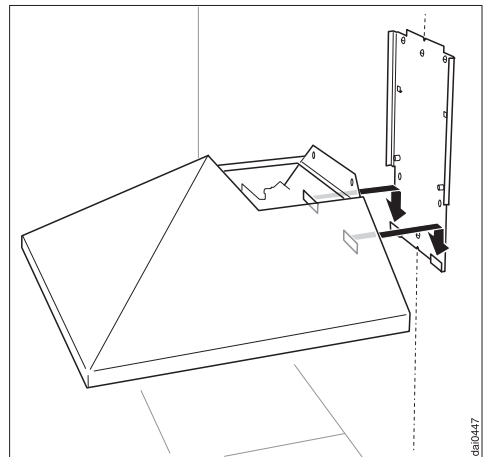
Retaining plate C



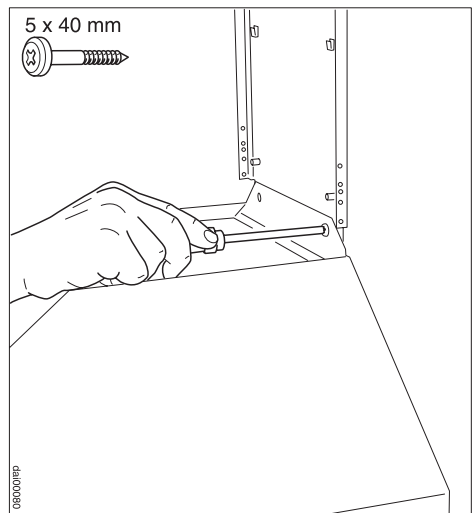
Retaining plate C should only be used if dimension Y is greater than $14 \frac{3}{8}$ " (365 mm.) It provides additional stability for the chimney extension.

- At a maximum distance of $14 \frac{3}{8}$ " (365 mm) from the ceiling hold retaining plate C against the wall and use the notches to align it with the center line. Mark the two drill holes.
- Drill two $\frac{1}{8}$ " (3 mm) holes into the wall.
- Secure retaining plate C with two 5 x 40 mm screws.

Attaching the canopy



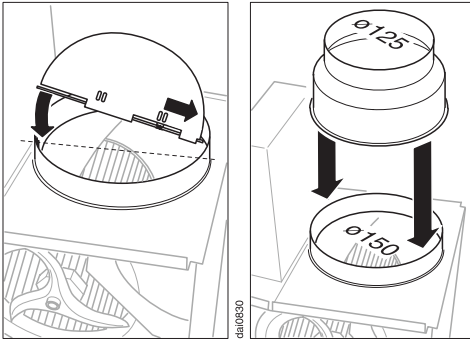
- Hang the canopy on the angled brackets on retaining plate A.



- Secure the canopy with 5 x 40 mm screws into each drilled hole.

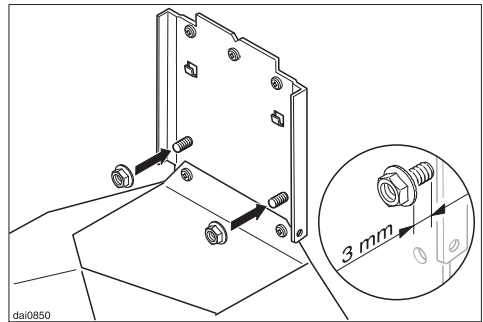
Installation

Inserting the non-return flap

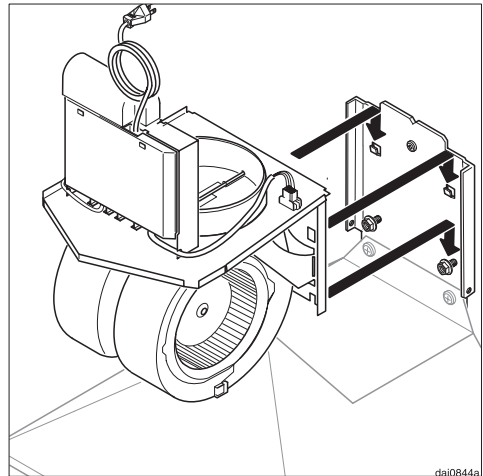


- Air extraction:
If a non-return flap is not present in the venting system, the **non-return flap** supplied must be fitted into the exhaust connection on the motor. The flaps must open upwards.
- The hood is designed for 6" (150 mm) exhaust ducting. If 5" (125 mm) exhaust ducting is used the **reducing collar** must be fitted into the exhaust connection on the motor (see "Air extraction").
- Recirculation mode:
The non-return flap is not required.

Attaching the motor assembly



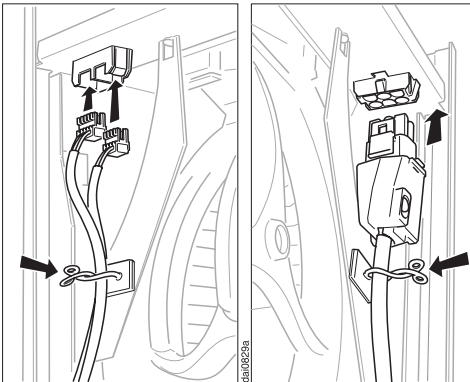
- First loosely screw the two locking nuts onto the threaded bolts on retaining plate A. Leave a gap of $\frac{1}{8}$ " (3 mm) for hanging the motor on.



- Fit the motor assembly onto the hooks on retaining plate A and slide down behind the nuts.
- Tighten the nuts.

Electrical connection

Before connecting the appliance read the "Warning and Safety Instructions" and the "Electrical data" sections.



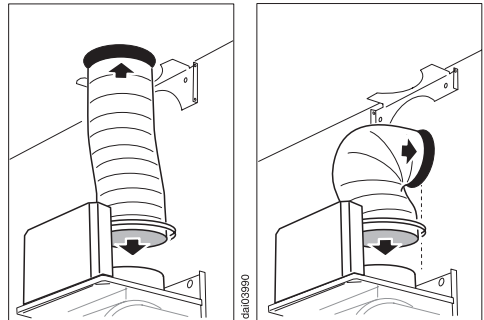
- Plug the 2 connectors on the canopy into the corresponding receptacles left and right of the motor assembly.

Insert the 4 prong connector into the rear and the 3 prong connector into the front receptacle left of the motor assembly.

Insert the 6 prong connector into the receptacle right of the motor assembly.

- Secure the cords with the ties, as shown above.
- Plug in the power cord.

Air extraction exhaust connection

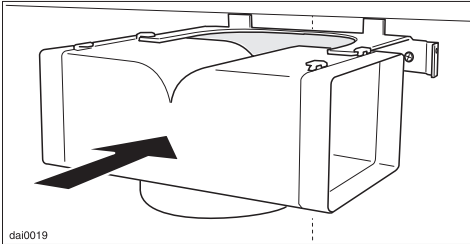


- Connect the ductwork to the exhaust connection using whatever means are appropriate for the type of ductwork being installed (hose clamp, duct tape, etc.)
- Direct the duct through the back wall or the ceiling.
- See "Air extraction" for further details.

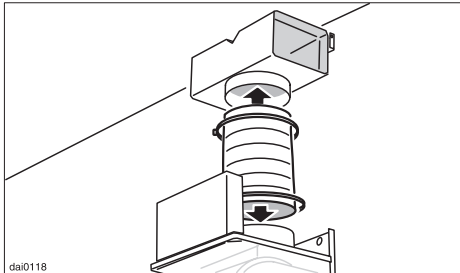
Installation

Recirculation connection

Recirculation mode is used when venting to the outside of the building is not possible.



- Slide the diverter on to the brackets of plate B.



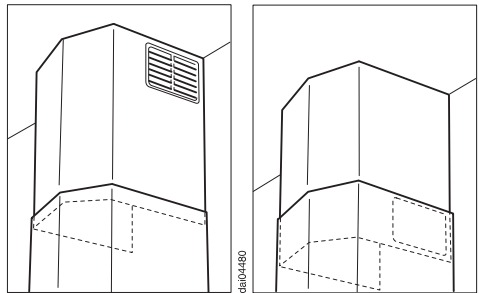
- Slip the hose clamps over the flex hose onto the diverter and the motor assembly exhaust connection. Once in place, tighten the hose clamps.

Active charcoal filters must be used in the recirculation mode.

Attaching the chimney extension

The use of a chimney extension, allows the hood to be installed at various distances from the ceiling.

NOTE: The extension must be intalled in relationship to the method of venting; Extraction or Recirculation.



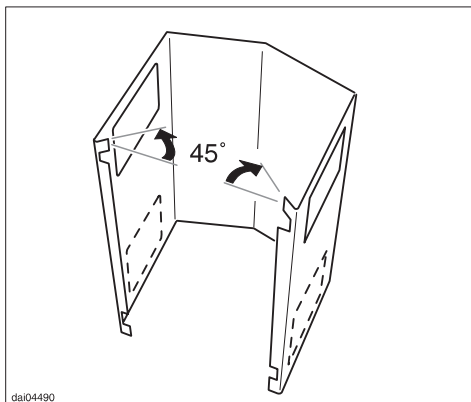
Recirculation

Air extraction

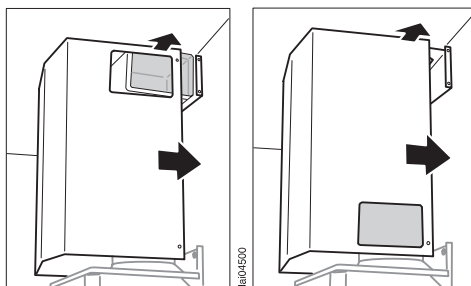
The extension piece has vented openings on one end.

These vents are required for recirculation mode and will be closest to the ceiling when installed.

For air extraction, the vents are not required and are covered by the chimney.



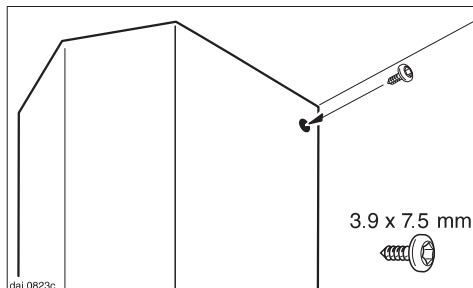
- Remove the protective foil from chimney extension.
- Bend the top hanging tabs 45° inwards. This will make installing the extension easier. Be careful of sharp edges.



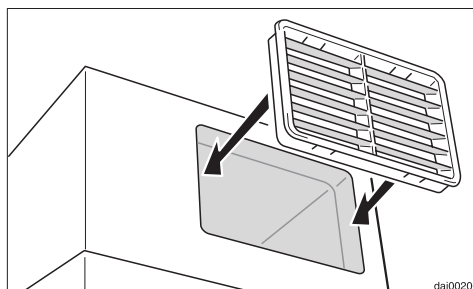
Recirculation

- Pull the chimney extension slightly outwards and snap over the upper retaining plate B.

When installing for recirculation, ensure that the vents are positioned so they line up with the diverter.



- Screw the extension piece firmly to the upper retaining plate using two 3.9 x 7.5 mm screws.
- Cover the screws with the supplied cap covers.

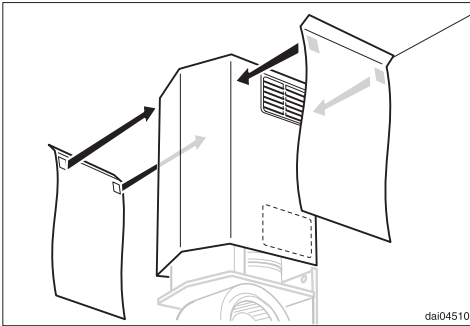


- Only for recirculation: With the slats pointing downwards, install the recirculation vents through the extension piece and into the diverter.

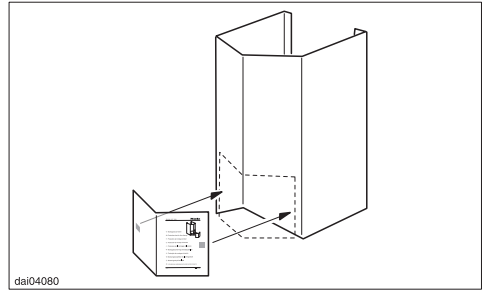
Air extraction

Installation

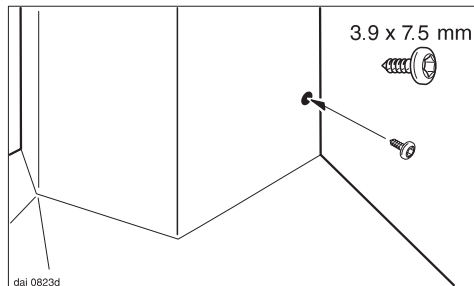
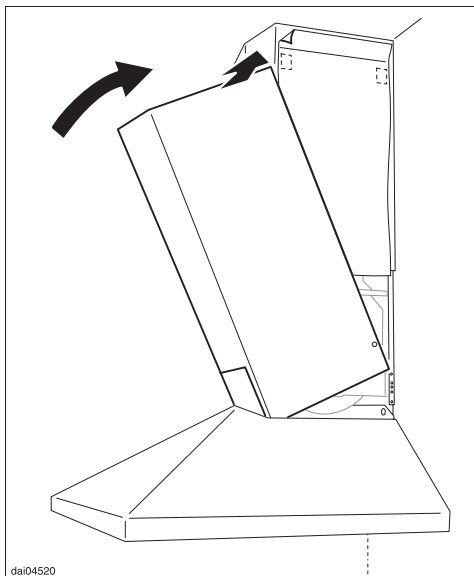
Attaching the chimney



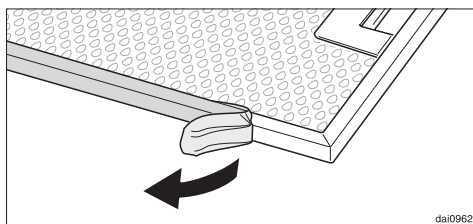
- Fold the protective shield at the top.
- Remove the adhesive backing from the shield.
- Stick the shield to the chimney extension so that it is smooth and flush with the bottom.



- Remove the protective foil from the chimney.
- Remove the backing from the adhesive strips on the protective shield.
- Attach the protective shield to the front of the chimney so that it protrudes slightly below the bottom edge.



- Secure the chimney to retaining plate A on both sides with two 3.9 x 7.5 mm screws.
- Remove the protective foil from the canopy.



- Pull the chimney apart slightly and slide it over the chimney extension. Do this carefully to prevent scratching the two pieces.
- Slide the chimney down aligning its lower screw holes with those on the side of retaining plate A.
- Remove the protective shields.

- Before using the appliance remove the grease filter and remove the protective foil from the filter frame. Return the filter.

If the chimney is not tall enough an optional chimney extension can be ordered. See "Installation / Appliance dimensions".

Air extraction

WARNING

Danger of toxic fumes.

Gas cooking appliances release carbon monoxide that can be harmful or fatal if inhaled. The exhaust gases extracted by the hood should be vented outside of the building only.

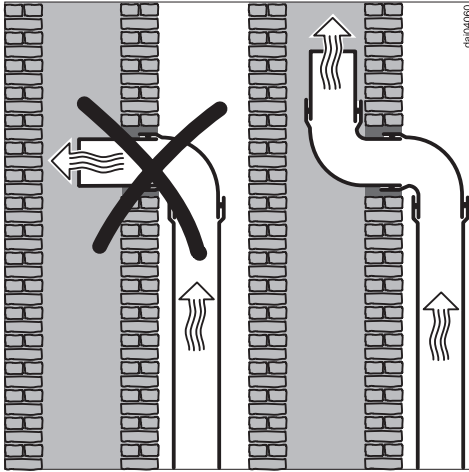
Do not terminate the exhaust ducts in attics, garages, crawlspaces, etc.

To reduce the risk of fire, only use metal ductwork.

Please read and follow the **"IMPORTANT SAFETY INSTRUCTIONS"** to reduce the risk of personal injury. Follow all local building codes when installing the hood.

Exhaust ducting and connections

- The ducting should be as short and straight as possible, and the number of sharp bends should be minimized.
- For most efficient air extraction, the diameter of the ductwork should not be less than 6" (150 mm). Use of flat ducts also reduces the air extraction efficiency.
- Noise levels of the hood will increase if flat ducts or round ducts of less than 6" (150 mm) in diameter are used.
- Use smooth or flexible pipes made from approved non-flammable materials for exhaust ducting.
- Where the ductwork is horizontal, it must slope away from the hood at least $\frac{1}{8}$ " per foot (1 cm per meter) to prevent condensation dripping into the appliance.
- If the exhaust is ducted through an outside wall, a Miele Telescopic Wall Vent can be used.



Condensate trap

optional accessory

In some cases, a condensate trap may also be required to collect and evaporate any condensate which may occur. This optional accessory is available for ducts 4" (125 mm) and 5 ⁷/₈" (150 mm) in diameter.

When installing a condensate trap, ensure that it is positioned vertically and if possible directly above the exhaust outlet. The arrow on the casing shows the venting direction.

If the exhaust is ducted into an inactive flue, the air must be expelled parallel to the flow direction of the flue.

Never connect an exhaust hood to an active chimney, dryer vent, vent flue, or room venting ductwork. Seek professional advice before connecting an exhaust hood vent to an existing, inactive chimney or vent flue.

Important!

If the ductwork runs through rooms, ceilings, garages, etc. where temperature variations exist, it may need to be insulated to reduce condensation.

When contacting the Technical Service,
please quote the model and serial number
of your appliance.

The Miele logo is displayed in a bold, white, serif font against a solid black rectangular background.

Miele, Inc. (USA)

National Headquarters

9 Independence Way
Princeton, NJ 08540
Phone: 800-843-7231
609-419-9898
Fax: 609-419-4298
www.mieleusa.com

Technical Service & Support

Nationwide

Phone: 800-999-1360
Fax: 888-586-8056

Miele Limited (CDN)

National Headquarters

55G East Beaver Creek Road
Richmond Hill, ON L4B 1E5
Phone: 800-643-5381
905-707-1171
Fax: 905-707-0177
www.miele.ca
info@miele.ca (general enquiries)
professional@miele.ca (commercial enquiries)

Mielecare National Service

Phone: 800-565-6435
905-850-7456
Fax: 905-850-6651
service@miele.ca (Tech. Service)

Free Manuals Download Website

<http://myh66.com>

<http://usermanuals.us>

<http://www.somanuals.com>

<http://www.4manuals.cc>

<http://www.manual-lib.com>

<http://www.404manual.com>

<http://www.luxmanual.com>

<http://aubethermostatmanual.com>

Golf course search by state

<http://golfingnear.com>

Email search by domain

<http://emailbydomain.com>

Auto manuals search

<http://auto.somanuals.com>

TV manuals search

<http://tv.somanuals.com>