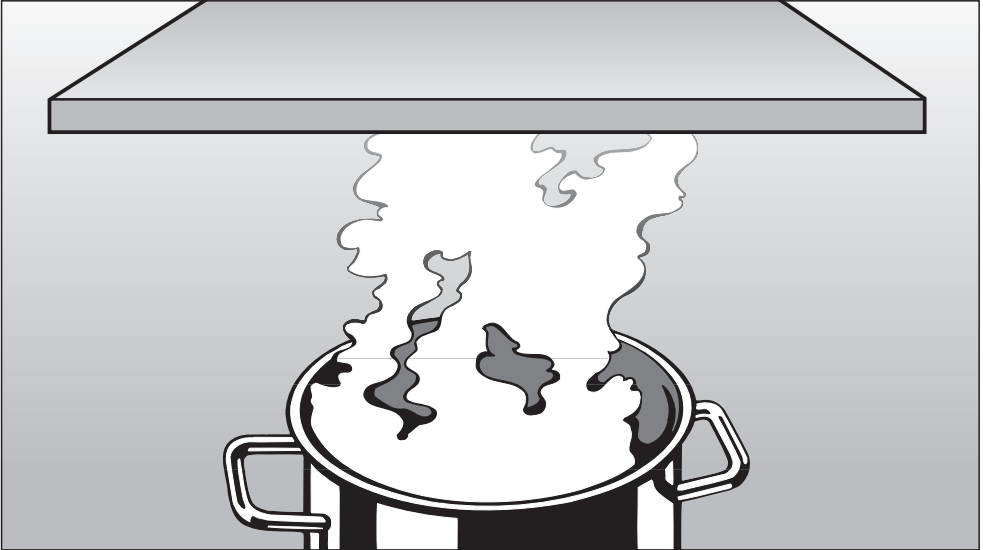


Operating and Installation Instructions



Ventilation System

DA 2280

DA 2210

To prevent accidents
and machine damage,
read these instructions

before

installation or use.

en - US, CA

M.-Nr. 06 921 100

Contents

IMPORTANT SAFETY INSTRUCTIONS	3
Functional description	7
Guide to the hood	8
Operation	10
Joystick	10
Turning on the fan	10
Selecting the power level.	10
Delayed Shut Down	11
Turning off the fan	11
Overhead lighting	12
Filter timers	13
Checking the filter timers.	13
Reprogramming the timers	14
Cleaning and care	16
Cleaning the casing.	16
Grease filters	16
Active charcoal filter	18
Changing the light bulb	19
After Sales Service	20
Installation instructions	21
Caring for the environment	22
Electrical data	23
Appliance dimensions	24
Installation	27
Installing the joystick	30
Joystick extension	30
Electrical connection	31
Air extraction	32

IMPORTANT SAFETY INSTRUCTIONS

Read these Operating Instructions carefully before installing or using the Ventilation System.

This appliance is intended for residential use only. Use the appliance only for its intended purpose. The manufacturer cannot be held responsible for damages caused by improper use of the hood.

This appliance complies with current safety requirements. Improper use of the appliance can lead to personal injury and material damage.

READ AND SAVE THESE INSTRUCTIONS



CAUTION

For General Ventilation Use Only.
Do not use to exhaust hazardous or explosive materials and vapors.

► This appliance is designed to vent cooking smoke and odors only.

► Be certain your appliance is properly installed and grounded by a qualified technician.

To guarantee the electrical safety of this appliance, continuity must exist between the appliance and an effective grounding system. It is imperative that this basic safety requirement be met. If there is any doubt, have the electrical system of the house checked by a qualified electrician. The manufacturer cannot be held responsible for damages caused by the lack, or inadequacy, of an effective grounding system.

► Before connecting the appliance to the power supply make sure that the voltage and frequency listed on the data plate correspond with the household electrical supply. This data must correspond to prevent machine damage. If in doubt consult a qualified electrician.

► Installation work and repairs should only be performed by a qualified technician in accordance with all applicable codes and standards. Repairs and other work by unqualified persons could be dangerous and the manufacturer will not be held responsible.

IMPORTANT SAFETY INSTRUCTIONS

► This equipment is not designed for maritime use or for use in mobile installations such as recreational vehicles or aircraft. However, under certain conditions it may be possible for installation in these applications. Please contact the nearest Miele dealer or the Technical Service Department with specific requirements.

► Before servicing or cleaning the unit, switch power off at the service panel and lock the service disconnecting means to prevent power from being switched on accidentally. If the service disconnecting means cannot be locked, securely fasten a prominent warning, such as a tag, to the service panel.

► Before discarding an old appliance, unplug it from the power supply and remove the power cord and any doors to prevent hazards.

Use

► Do not allow children to play with or operate the appliance or its controls. Supervise its use by the elderly or infirm.

► Do not flambé or grill with an open flame beneath the hood. Flames could be drawn up into the hood by the suction and the grease filters may catch fire.

► Never operate gas burners without cookware. Turn the burner off when not in use. Adjust the burner so that the flames do not extend beneath the cookware. Do not overheat the cookware, e.g. when using a wok. The hood can be damaged due to excessive heat from the burners and the cookware.

► Do not use the hood without the grease filters in place.

► Clean the grease filters regularly. Dirty filters are a fire hazard.

► Do not use a steam cleaner to clean the hood. Steam could penetrate the electrical components and cause a short circuit.

► Always turn on the hood when using the cooktop to prevent damage from condensation.

IMPORTANT SAFETY INSTRUCTIONS

WARNING - TO REDUCE THE RISK OF A COOKTOP GREASE FIRE:


- ▶ Never leave surface units unattended at high settings. Boilovers cause smoking and greasy spillovers may ignite. Heat oils slowly on low or medium settings.
- ▶ Always turn the hood on when cooking at a high heat.
- ▶ Clean ventilation fans frequently. Grease should not be allowed to accumulate on the fan or filter.
- ▶ Use the proper pan size. Always use cookware appropriate for the size of the surface element.

WARNING TO REDUCE THE RISK OF INJURY TO PERSONS IN THE EVENT OF A COOKTOP GREASE FIRE, OBSERVE THE FOLLOWING:

- ▶ **SMOTHER FLAMES** with a close fitting lid, cookie sheet, or metal tray then turn off the burner.
BE CAREFUL TO PREVENT BURNS. If the flames do not go out immediately, **EVACUATE AND CALL THE FIRE DEPARTMENT.**
- ▶ **NEVER PICK UP A FLAMING PAN**
- You may be burned.
- ▶ **DO NOT USE WATER**, including wet dishcloths or towels - a violent steam explosion may result.
- ▶ Use a fire extinguisher **ONLY** if:
 - You have a Class ABC extinguisher and know how to operate it.
 - The fire is small and contained in the area where it started.
 - The fire department has been called.
 - You can fight the fire with your back to an exit.

IMPORTANT SAFETY INSTRUCTIONS

Installation

▶  **WARNING**
To reduce the risk of fire only use metal ductwork.

▶ Provided a larger distance is not given by the manufacturer of the cooktop, follow the minimum safety distances between a cooktop and the bottom of the hood:

- 22" (550 mm) above electric cooktops,
- 30" (762 mm) above gas cooktops,
- 26" (650 mm) above an open electric grill or an open electric boiler/fryer.

If local building codes require a greater safety distance, follow their requirement.

If there is more than one appliance beneath the hood and they have different minimum safety distances always select the greater distance.

▶ Be careful not to damage hidden electrical wiring or plumbing when cutting or drilling into the wall or ceiling.

▶ Do not use an extension cord to connect the appliance to electricity. Extension cords do not guarantee the required safety of the appliance, (e.g. danger of overheating).

▶ Do not install this hood over cooktops burning solid fuel.

▶ Any fittings, sealant, or materials used to install the ductwork must be made of approved non-flammable materials.

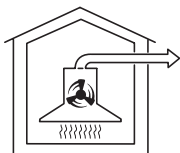
▶ Never connect an exhaust hood to an active chimney, dryer vent, vent flue, or room ventilating ductwork. Seek professional advice before connecting an exhaust hood vent to an existing, inactive chimney or vent flue.

▶ Ducted fans must always be vented outdoors.

▶ Make sure that the airflow in the room is sufficient for combustion and exhausting of all non-electric heating appliances (water heaters, gas cooktops, gas ovens, etc.), otherwise backdrafts may occur. Follow the heating manufacturer's guidelines and safety standards or those published by the National Fire Protection Association (NFPA) or the American Society for Heating, Refrigeration and Air Conditioning Engineers (ASHRAE). If in doubt, consult an experienced professional.

The ventilation hood offers two modes of operation:

Air extraction



The air is drawn in and cleaned by the grease filters and directed outside.

The hood comes equipped with a **non-return flap**. This flap automatically closes when the hood is turned off so that no exchange of outside air and room air can occur.

When the hood is turned on, the air pressure of the exhaust fan automatically opens the flap blowing the inside air and cooking odors outside.

The DA 2280 is equipped with one non-return flap, the DA 2210 comes with two non-return flaps.

Recirculation mode

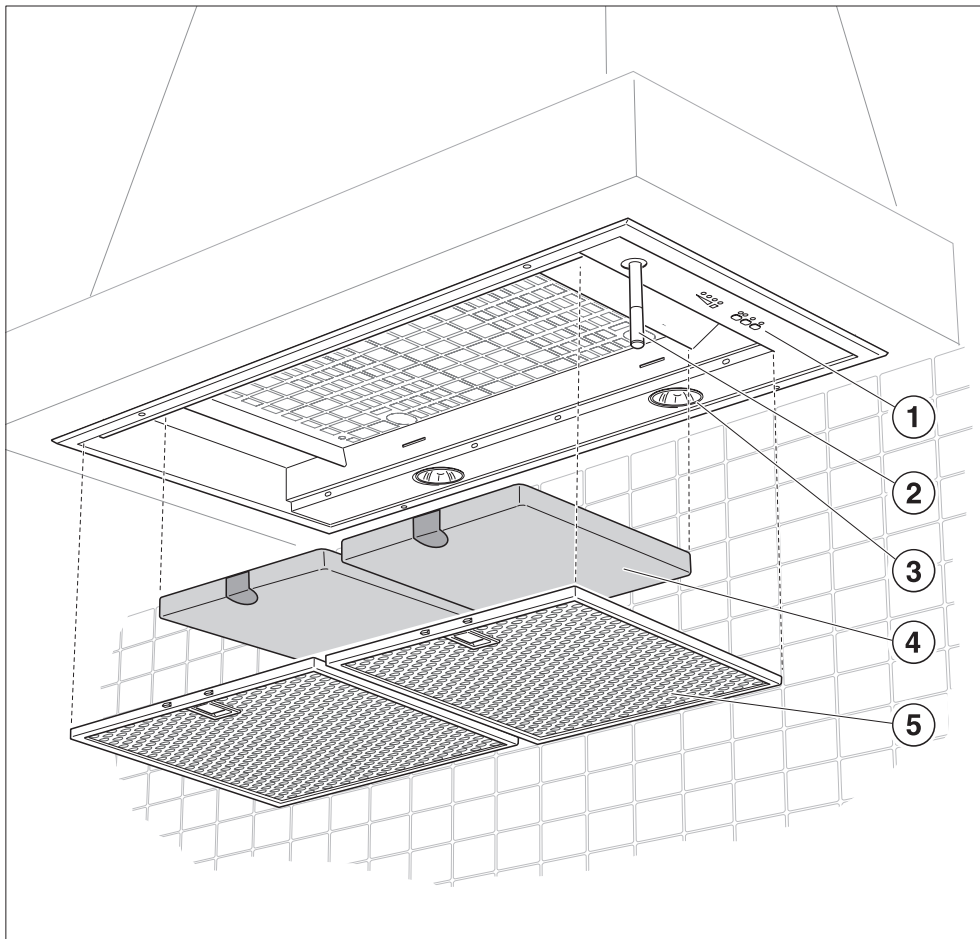


Air is drawn through the grease filters and **active charcoal filters**. The filtered air is then recirculated back into the kitchen through a grille at the top of the hood's chimney.

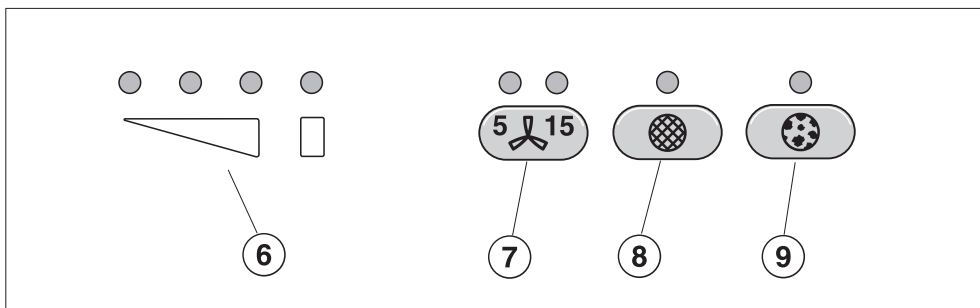
The active charcoal filter and the installation kit may be purchased from Miele.

Before using the hood in recirculation mode, ensure that the active charcoal filters are in place, see "Cleaning and Care".

Guide to the hood



0132140



① Control panel

② Joystick

The fan and light can be operated with the joystick.

③ Overhead lighting

④ Charcoal filters

optional accessory for recirculation mode

DA 2280: 2 filters

DA 2210: 4 filters

⑤ Grease filters

⑥ Fan power selection

⑦ Delayed Shut Down

This button activates the Delayed Shut Down feature. The fan can be set to turn off automatically after either 5 or 15 minutes.

⑧ Grease filter button

The indicator next to the grease filter button lights when the grease filters need to be cleaned. This button is also used:

- to reset the grease filter timer after cleaning the grease filters (see "Cleaning and Care").
- to show how long the grease filters have been in use (see "Operation/Filter timers").
- to change the number of hours counted by the grease filter timer (see "Operation/Reprogramming the timers").

⑨ Charcoal filter button

The indicator next to the charcoal filter button lights when the charcoal filters need to be replaced.

This button is also used:

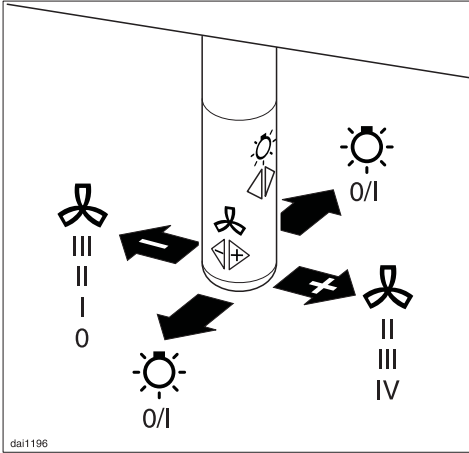
- to reset the charcoal filter timer after changing the filter (see "Cleaning and care").
- to show how long the charcoal filters have been in use (see "Operation/Filter timers").
- to change the number of hours counted by the charcoal filter timer (see "Operation/Reprogramming the timers").

Operation

Joystick

The joystick controls the fan power and overhead lighting.

Turning on the fan



- Press the joystick once to the right.



The fan runs at power level "2" and the second indicator of the fan power scale lights.

Selecting the power level

- Press the joystick to the right, to increase the fan speed. Press it to the left to decrease the fan speed.

The corresponding fan power indicator lights.

Level "1" to "3" (green indicators) are usually sufficient for normal cooking.

Intensive setting



Level "4" (yellow indicator) should be used for a short period when frying or cooking food with a strong aroma.

Fan performance

DA 2280

The maximum air flow capacity is 425 cfm. Factors such as narrow duct diameters and bends will affect this value.

DA 2210

The maximum air flow capacity is 850 cfm. Factors such as narrow duct diameters and bends will affect this value.

Level 1 operates at 40% capacity

Level 2 operates at 60% capacity

Level 3 operates at 80% capacity

Level 4 operates at 100% capacity

There will also be a slight decrease in airflow for hoods operated in recirculation mode due to the active charcoal filters.

Automatically switching back to the "Intensive" setting

The intensive level "4" can be programmed to automatically switch back to level "3" after 10 minutes.

- Turn the fan and the lights off.
- Press and hold the Delay Shut Down button for 10 secs. The first indicator of the fan power levels lights.
- Press the joystick once either backwards or forwards.

The second indicator lights.

- Press the joystick once to the left.

The third indicator lights.

- Press the joystick again either once backwards or once forwards.

If the power level indicators "1" and "4" flash the automatic switch back is not activated.

To activate the automatic switch back

- Press the joystick once to the right.

The power level indicators "1" and "4" light.

To deactivate the automatic switch back

- Press the joystick once to the left.
- Press the Delay Shut Down button to confirm the setting.

Delayed Shut Down

If odors or smoke remain in the kitchen after cooking has been completed, the Delayed Shut Down feature can be selected to allow the hood to continue running for either 5 or 15 minutes.



- Press the Delayed Shut Down button while the fan is still running:

Press once = 5 minutes delay (left indicator lights)

Press twice = 15 minutes delay (right indicator lights)

- To cancel the Delayed Shut Down feature press the button again.

Turning off the fan

- Hold the joystick to the left until the fan shuts off and the fan power indicators go out.

Automatic Safety Shut Off

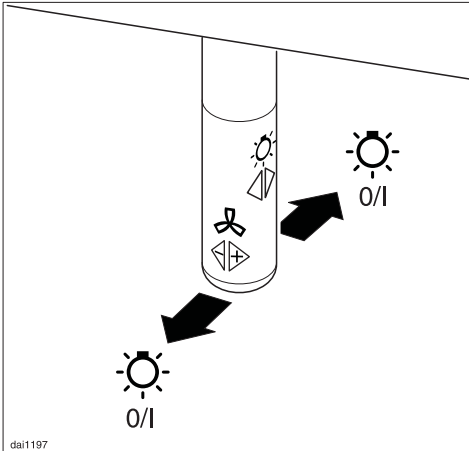
The fan will turn off automatically 10 hours after the last movement of the joystick. The lighting remains on.

- Press the joystick once to the right to turn the fan back on again.

Operation

Overhead lighting

The overhead lighting can be turned on and off independently of the fan.



- To turn the light on or off, press the joystick either once backwards or once forwards.

Dimming the lighting

The brightness of the lighting can be adjusted.

- While the lighting is turned on, press and hold the joystick backwards or forwards. The lighting will dim until the joystick is released.
- If the joystick is pressed again, the lighting will brighten until the joystick is released.

If the joystick is pressed continuously, the light will cycle between bright and dark.

Filter timers

Grease filter timer

A timer monitors the hours of operation. The indicator for the grease filter will light after 30 hours of fan operation. The grease filters must then be cleaned.

After the grease filters have been cleaned and put back in place, the grease filter timer must be reset.



- To do this press the grease filter button for about 3 seconds.

The indicator will go out.

To change the hours of operation, see "Reprogramming the timers".

Charcoal filters

The timer for the charcoal filter is not preset. To program this timer, see "Operation / Reprogramming the charcoal filter timer". The charcoal filter indicator will light, once the selected time has elapsed. The **charcoal filters** must then be replaced and the charcoal filter timer must be reset.



- To do this, press the charcoal filter button for about 3 seconds.

The indicator will go out.

Checking the filter timers

To check the percentage of time set already used:

- Press the joystick to the left to turn the fan on.



- Press the grease filter or charcoal filter button.

The number of flashing indicators show the percentage of programmed hours that have been used.

- 1 indicator = 25 %
- 2 indicators = 50 %
- 3 indicators = 75 %
- 4 indicators = 100 %

This information will remain stored in memory in the event of a power failure.

Operation

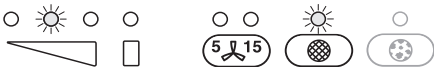
Reprogramming the timers

The grease filter timer is preset to 30 hours. This time can be lengthened or shortened to 20, 30, 40 or 50 hours.

- A time of 20 hours should be programmed in kitchens with frequent pan or deep frying.
- A time of 20 hours should also be programmed if the kitchen is only used occasionally. Otherwise grease which has accumulated over a long period of time will harden on the filters making cleaning more difficult.

Reprogramming the grease filter timer

- Press the joystick to the left to turn the fan off.

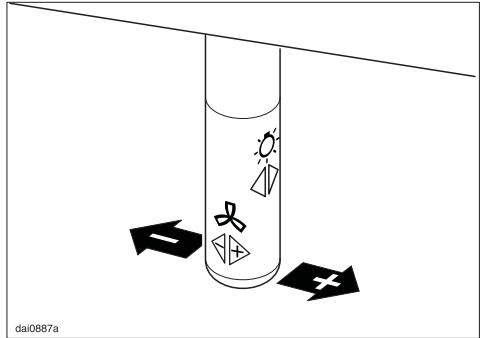


- Press the Delayed Shut Down and the grease filter buttons at the same time.

The grease filter indicator and one of the fan power indicators will flash.

The fan power indicators show the programmed time:

- 1st indicator from the left = 20 hours
- 2nd indicator from the left = 30 hours
- 3rd indicator from the left = 40 hours
- 4th indicator from the left = 50 hours



- Use the joystick to select the desired time. Press it to the left for a shorter operating time, to the right for a longer operating time.



- Store the selection by pressing the grease filter button.

All indicators will go out.

If the procedure is not stored within 4 minutes of programming the hood will automatically default to the "old" data.

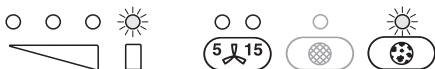
Reprogramming the charcoal filter timer

The active charcoal filters can only be used in recirculation mode and cannot be used to exhaust fumes.

The charcoal filter timer is **not preset**.

Before using the hood in recirculation mode, the charcoal filter timer must be programmed.

- Press the joystick to the left to turn the fan off.

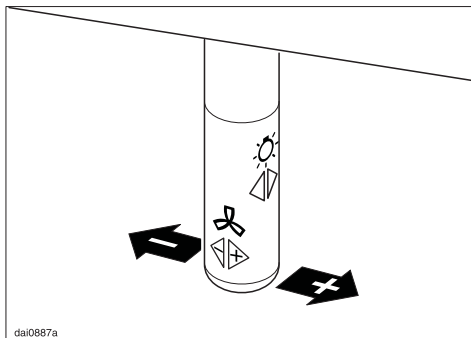


- Press the Delayed Shut Down and charcoal filter buttons at the same time.

The indicator for the charcoal filter and one of the fan power scale indicators will flash.

The indicators of the fan power scale show the programmed time:

- 1st indicator from the left = 120 hours
- 2nd indicator from the left = 180 hours
- 3rd indicator from the left = 240 hours
- 4th indicator from the left = unlimited



- Use the joystick to select the desired time. Press it to the left for a shorter operating time, to the right for a longer operating time.



- Store the selection by pressing the charcoal filter button.

All indicators will go out.

If the procedure is not stored within 4 minutes of programming, the hood will automatically default to the "old" data.

Cleaning and care

Before cleaning or servicing the hood, disconnect it from the power supply by either removing the fuse, unplugging it from the outlet or manually "tripping" the circuit breaker.

Cleaning the casing

Warning: Never use abrasive cleansers, scouring pads, steel wool or caustic (oven) cleaners on the hood. They **will** damage the surface.

- All external surfaces and controls can be cleaned with warm water and liquid dish soap applied with a soft sponge.
- Wipe dry using a soft cloth.

Do not use too much water when cleaning the controls. Water could penetrate into the electronics and cause damage.

Avoid:

- cleaning agents containing soda, acids or chlorides,
- abrasive cleaning agents e.g. powder or cream cleansers,
- abrasive sponges, e.g. pot scourers or sponges which have been previously used with abrasive cleaning agents,
- limescale removers.

These will damage the surface.

Stainless steel colored controls

These controls may become discolored or damaged if not cleaned regularly.
Do not use a stainless steel cleaner on these controls.

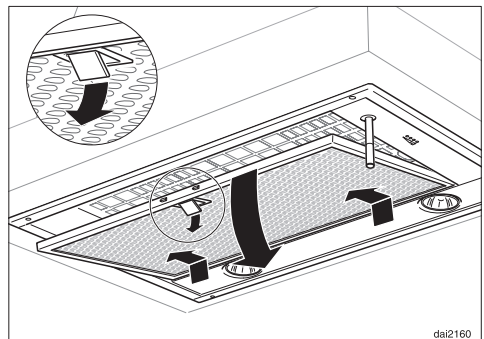
Grease filters

The reusable metal grease filters remove solid particles from the vented kitchen air (grease, dust, etc).



The grease filters should be cleaned every 3 - 4 weeks or when the grease filter indicator lights.

A dirty filter is a fire hazard.



- To remove the grease filters pull the locking clips forward. Lower the filter 45° unhook it at the rear and take it out. Support the grease filters so that they do not fall onto the cooktop.

Cleaning the grease filters

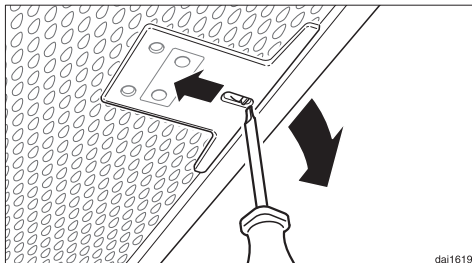
- **By hand:** use a scrub brush with a solution of warm water and mild detergent.
Do not use pure detergent, aggressive all purpose cleaners, oven sprays or limescale removers. They could destroy the filters.
- **In a dishwasher:** place the filters vertically in the lower basket, making sure that the spray arm is not blocked.
Use a hot temperature program, e.g. "Heavy Soil" or "Pots and pans".
Use the recommended amount of dishwasher detergent. Overuse could destroy the filter.

Depending on the detergent, cleaning the grease filters in a dishwasher may cause permanent discoloration of the filter surface. Performance of the filter will not be affected by this discoloration.

- After cleaning, the filters can be placed on a towel to air dry.
- While the filters are removed, clean any dirt or grease from the filter casing to prevent the risk of fire.

Inserting the grease filters

When putting the grease filters back make sure that the locking clips are visibly facing the cooking surface.



If the filters are incorrectly installed, insert a small screwdriver into the slit along its edge to disengage it from the casing.

- After returning the grease filters, press and hold the grease filter button for 3 seconds to reset the timer. The indicator light will go out.
- If the grease filters are cleaned before the grease filter timer has reached its maximum, press the grease filter button for 6 seconds to reset the counter to zero.

Cleaning and care

Active charcoal filter

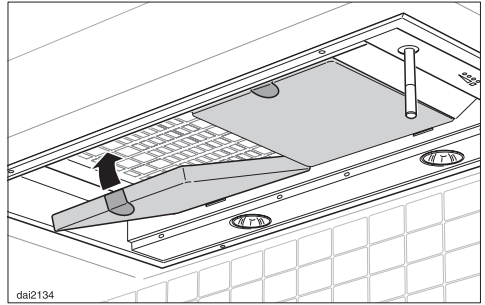
DA 2280 uses 2 active charcoal filters
DA 2210 uses 4 active charcoal filters

In recirculation mode active charcoal filters must be used in addition to the grease filters. It is designed to absorb cooking odors.

The active charcoal filters will be replaced in the canopy above the grease filters.

Replacement active charcoal filters can be ordered from Miele.

- Remove the grease filters to access the charcoal filters. See "Cleaning and Care - Grease filters".



- Insert the charcoal filters.

Before using:

- Program the charcoal filter timer, see "Operation / Reprogramming the charcoal filter timer".



Replace the active charcoal filters when the **charcoal filter indicator** lights, at least every 6 months or when they no longer absorb odors efficiently.

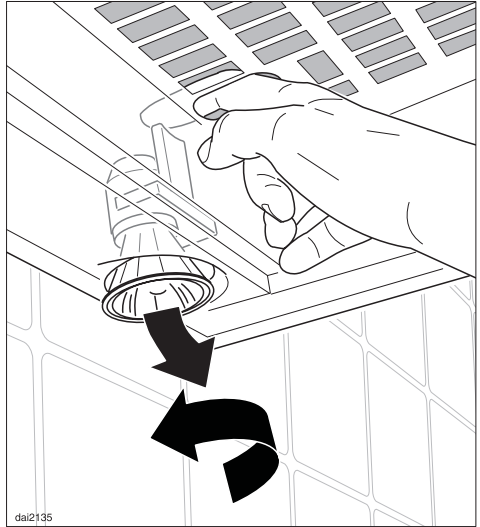
- After replacing the charcoal filters, press and hold the charcoal filter button for about 3 seconds to reset the charcoal filter timer. The indicator light will go out.
- If the charcoal filters are replaced before the timer has reached its maximum, the charcoal filter button should be pressed for 6 seconds to reset the counter to zero.

Changing the light bulb

Before changing the light bulb, disconnect the hood from the power supply by either removing the fuse, unplugging it, or manually "tripping" the circuit breaker.

When in use halogen bulbs become extremely hot, and they can burn your hands. Do not attempt to change the bulbs until they have had sufficient time to cool down. Do not touch the bulb surface. Fingerprints or body oils deposited on the bulb will decrease the life of the bulb. Follow the bulb manufacturer's instructions.

- Remove the grease filters.
- If existent remove the active charcoal filters.
- Reach through the grille opening and push the light fixture downwards.
- Turn the bulb counterclockwise and pull it out of its socket.
- Replace the bulb with a new one in the reverse order and push upwards.
- Return the grease filters and if existent the active charcoal filters.



After Sales Service

Repairs

In the event of a fault which you cannot easily fix yourself, please contact the Miele Technical Service Department.

- When contacting the Technical Service Department, please quote the model and serial number of your appliance.

These are shown on the data plate which is visible when the grease filters are removed.

MieleCare

MieleCare, our Extended Service Contract program, gives you the assurance of knowing that your appliance investment is covered by 5 years of worry free ownership.

MieleCare is the only Extended Service Contract in the industry that guarantees repairs by a Miele Authorized Service Provider using genuine Miele parts. Only genuine Miele parts installed by factory trained professionals can guarantee the safety, reliability, and longevity of your Miele appliance.

Please note that unless expressly approved in writing by Miele's Service department, Extended Service Contracts offered by other providers for Miele products will not be recognized by Miele. Our goal is to prevent unauthorized (and untrained) service personnel from working on your Miele products, possibly doing further damage to them, you and/or your home.

To learn more about **MieleCare** Extended Service Contracts, please contact your appliance dealer or visit us online at:

<http://store.miele.com>



Installation Instructions

Caring for the environment

Disposal of packing material

The cardboard box and packing materials protect the appliance during shipping. They have been designed to be biodegradable and recyclable. Please recycle.

To prevent suffocation of children, ensure that any plastic wrappings, bags, etc. are disposed of safely and kept out of their reach.

Disposal of an old appliance


Old appliances may contain materials that can be recycled. Please contact your local recycling center about the possibility of recycling these materials.

Before discarding an old hood, unplug it from the outlet and cut off its power cord to prevent hazards.

All electrical work should be performed by a qualified electrician in strict accordance with national and local safety regulations. Installation, repairs and other work by unqualified persons could be dangerous. The manufacturer cannot be held responsible for unauthorized work.

Ensure that power to the appliance is off while installation or repair work is performed.

- Verify that the voltage, load and circuit rating information found on the data plate (located behind the grease filters), match the household electrical supply before installing the hood.

 **WARNING!** In Canada, the range hood should be plugged into a outlet which is not enclosed in a cupboard, cabinet or similar enclosure per the Canadian Electrical Code.

If there is any question concerning the electrical connection of this appliance to your power supply, please consult a licensed electrician or contact Miele's Technical Service Department.

WARNING:
THIS APPLIANCE MUST BE GROUNDED

Grounding Instructions

This appliance must be grounded. In the event of an electrical short circuit, grounding reduces the risk of electric shock by providing a path of least resistance. This appliance is equipped with a cord having a grounding wire with a grounding plug. The plug must be plugged into an outlet that is properly installed and grounded.

WARNING - Improper grounding can result in a risk of electric shock.

If there is any doubt, have the electrical system of the house checked by a qualified electrician. The manufacturer cannot be held responsible for damages caused by the lack, or inadequacy, of an effective grounding system.

Do not use an extension cord. If the power supply cord is too short, have a qualified electrician install an outlet near the appliance.

Electrical data

Important

The hood comes equipped with a 4 ft (1.2 m) power cord with a NEMA 5-15 molded plug for connection to a 120 VAC, 60 Hz, 15 A power outlet.

DA 2280

Maximum load 450 W
Fan 350 W
Light 2 x 50 W

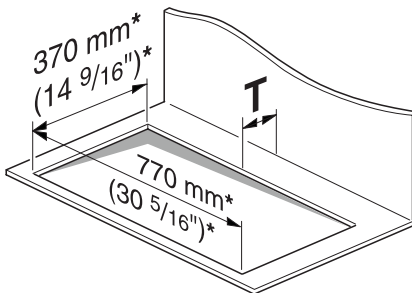
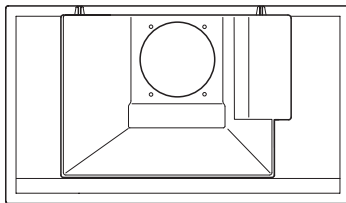
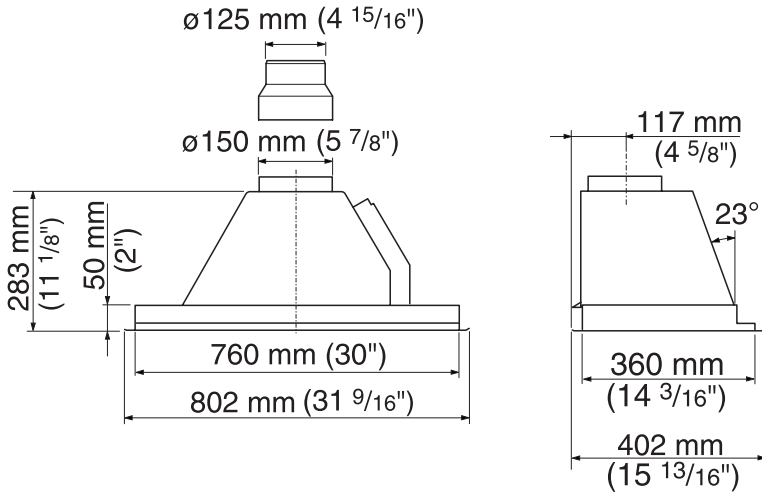
DA 2210

Maximum load 900 W
Fan 2 X 350 W
Light 4 x 50 W

Voltage 120 V
Frequency 60 Hz
Circuit rating 15 A

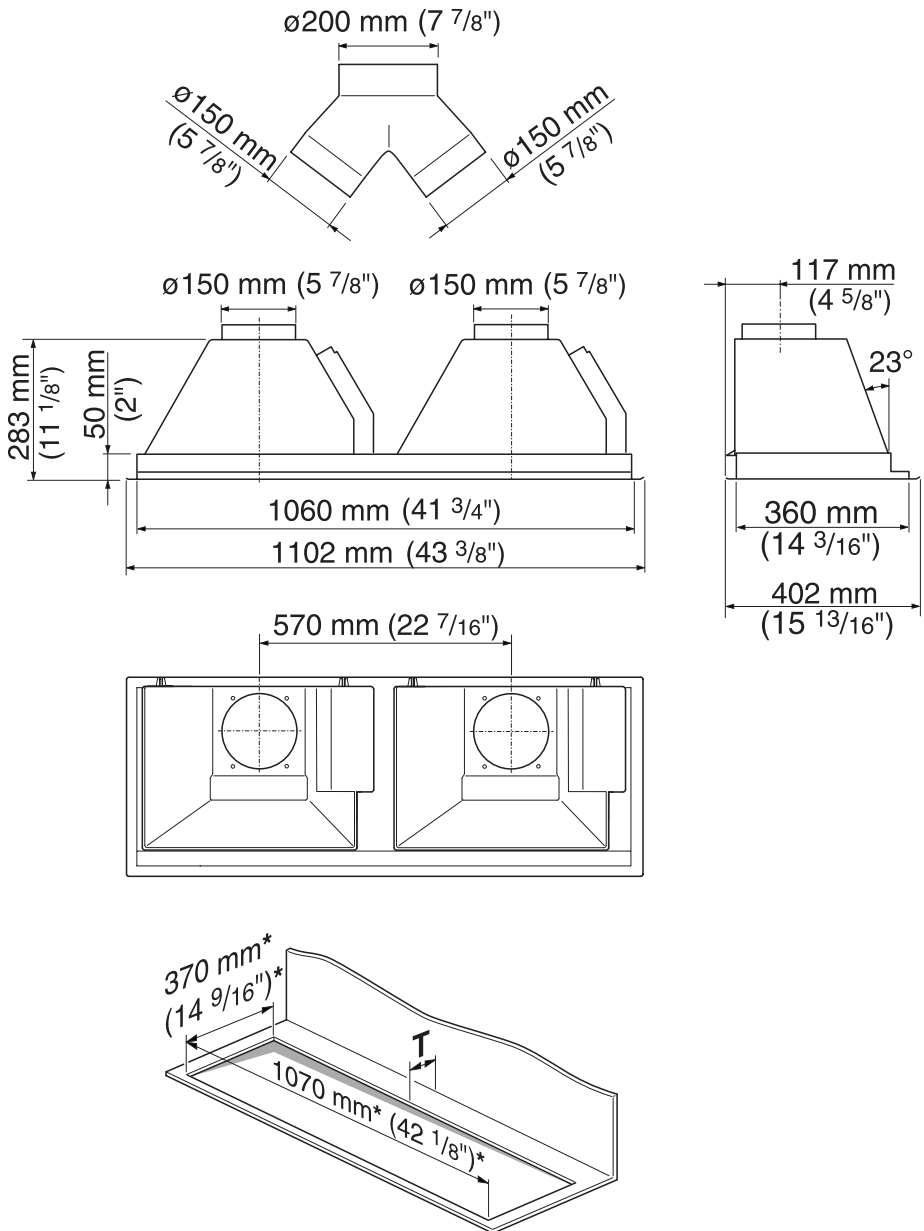
Appliance dimensions

DA 2280



Appliance dimensions

DA 2210



dai2116us

Appliance dimensions

*Cut out dimensions

A depth **T**, min. 1" (25 mm), is necessary in the rear of the cabinet.

Distance between cooktop and hood

Do not install this exhaust hood over cooktops burning solid fuel.

Provided a larger distance is not given by the manufacturer of the cooktop, follow the minimum safety distances between a cooktop and the bottom of the hood:

- 22" (550 mm) above electric cooktops,
- 30" (762 mm) above gas cooktops,
- 26" (650 mm) above an open electric grill or an open electric boiler/fryer.

If local building codes require a greater safety distance, follow their requirement.

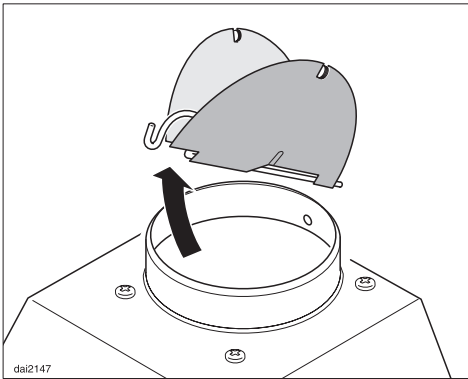
If there is more than one appliance beneath the hood and they have different minimum safety distances always select the greater distance.

See "Important Safety Instructions" for further information.

- Determine the installation height, regarding the user's body height, i.e. a comfortable height for the user. However, the greater the distance, the less effectively cooking odors are drawn in.

Installation

Non-return flap



The hood comes equipped with a **non-return flap**. This flap automatically closes when the hood is turned off so that no exchange of outside air and room air can occur.

Uninstall the non-return flap when your exhaust system is equipped with a non-return flap or if the hood is used in recirculation mode.

- Holding the non-return flap at the wire, pull it out of the bracket.

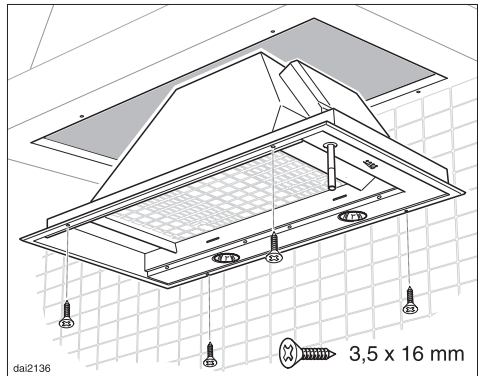
The DA 2280 is equipped with one, the DA 2210 with two non-return flaps.

Installation

The hood is designed to be installed within cabinetry and kitchen islands.

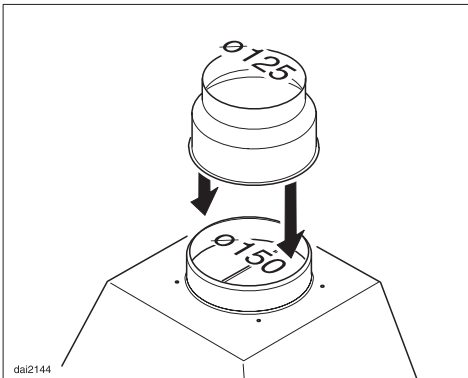
The top half (motor and fan assembly) should be accessible after installation.

If the motor and fan assembly are not accessible, assemble the ductwork and the electrical connection **before** the installation.



- Insert and align the hood from the bottom up in the cut out.
- Secure the hood through the frame with the screws (3.5 x 16 mm).

Reducing collar



- **DA 2280:** The hood is designed for use with a 6" (150 mm) diameter exhaust hose.

If using 5" (125 mm) ducting, place the supplied reducing collar into the exhaust connection (see "Air extraction").

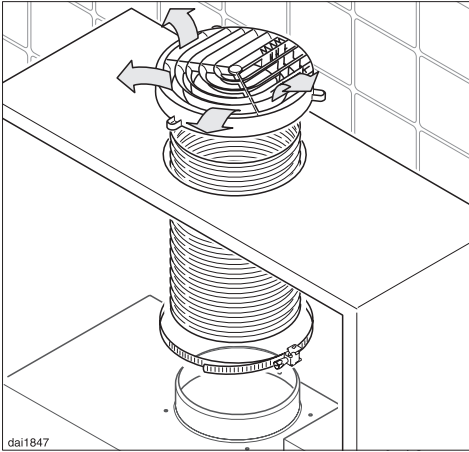
- **DA 2210:** The hood has two exhaust connections for use with two 6" (150 mm) diameter exhaust hoses. A Y- adapter is supplied with the hood. It may be used to feed the exhaust from both connections to a 8" (200 mm) diameter common duct.

Exhaust connection

- Connect the ductwork to the exhaust connection using appropriate measures for the type of ductwork being installed (supplied hose clamps, duct tape, etc.). See "Air extraction".

Installation

Recirculation mode



- Install the installation kit according to the installation situation.

When installing the recirculation vents make sure that the slats point towards the center of the room and not to a wall or the ceiling.

- Install the active charcoal filters (see "Cleaning and Care") and reprogram the charcoal filter timer.

If site conditions are not suitable for the hood to be used for air extraction, the appliance must be converted for recirculation using the following installation kit. It can be ordered from your Miele dealer or the Technical Service Dept.

It contains a 6" (150 mm) diameter hose, a grille and a hose clamp to secure the hose at the exhaust connection of the hood.

DA 2280 installation needs

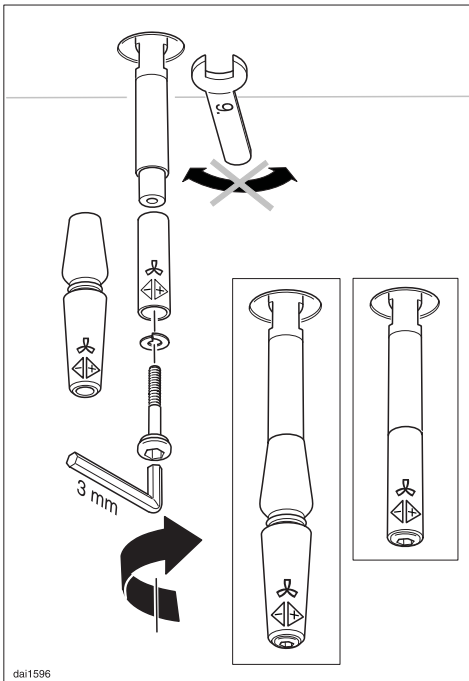
one installation kit and two active charcoal filters

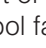
DA 2210 installation needs

two installation kits and four active charcoal filters

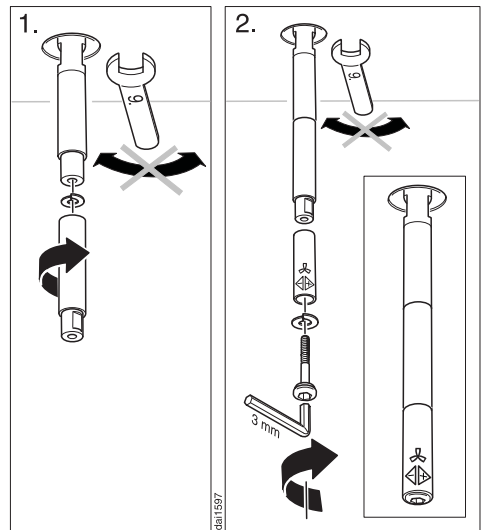
A non-return flap is not needed in recirculation mode.

Installing the joystick




- Insert the lower half of the desired joystick into the socket, loosely secure it in place with the included screw and spring washer. The screws have different lengths. Make sure the respective screw for the desired joystick is used.
- Turn the printed part of the joystick so that the -symbol faces front.
- Tighten the screw with an allen wrench. At the same time hold the joystick with a wrench.

Joystick extension



The joystick can be extended for an easier reach.

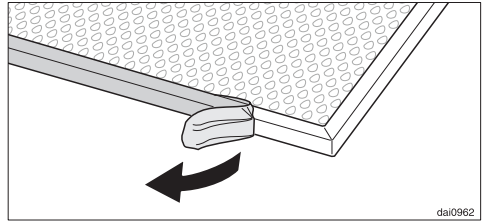
- Place a spring washer between the joystick base and the extension. Tighten the extension by hand while holding the joystick base with a wrench.
- Attach the lower part of the joystick to the extension with a spring washer. Turn the -symbol to the front and screw in place with an allen wrench while using a wrench to hold the joystick base.

Installation

Electrical connection

Before connecting the appliance to power read the "Important Safety Instructions".

- Plug in the power cord.



Before using the appliance remove the grease filters and remove the protective foil from the filter frame. Insert the grease filters back into place.

WARNING

Danger of toxic fumes.

Gas cooking appliances release carbon monoxide that can be harmful or fatal if inhaled. The exhaust gases extracted by the hood should be vented outside of the building only.

Do not vent exhaust air into spaces within walls or ceiling or in attics, crawl spaces, or garages.

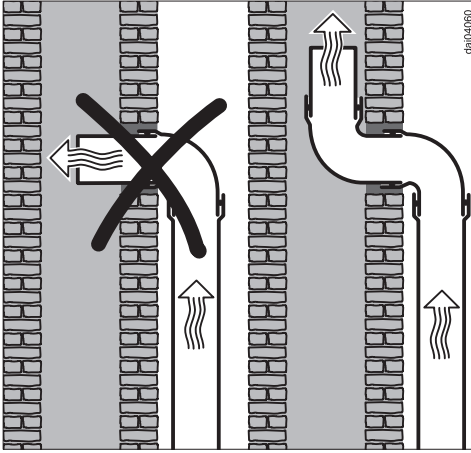
To reduce the risk of fire, only use metal ductwork.

Please read and follow the **"IMPORTANT SAFETY INSTRUCTIONS"** to reduce the risk of personal injury. Follow all local building codes when installing the hood.

Exhaust ducting and connections

- The ducting should be as short and straight as possible, and the number of sharp bends should be minimized.
- For most efficient air extraction, the diameter of the ductwork should not be less than 6" (150 mm). Use of flat ducts also reduces the air extraction efficiency.
- Noise levels of the hood will increase if flat ducts or round ducts of less than 6" (150 mm) in diameter are used.
- Use smooth or flexible pipes made from approved non-flammable materials for exhaust ducting.
- Where the ductwork is horizontal, it must slope away from the hood at least $\frac{1}{8}$ " per foot (1 cm per meter) to prevent condensation dripping into the appliance.
- If the exhaust is ducted through an outside wall, a Miele Telescopic Wall Vent can be used.

Air extraction



- If the exhaust is ducted into an inactive flue, the air must be expelled parallel to the flow direction of the flue.

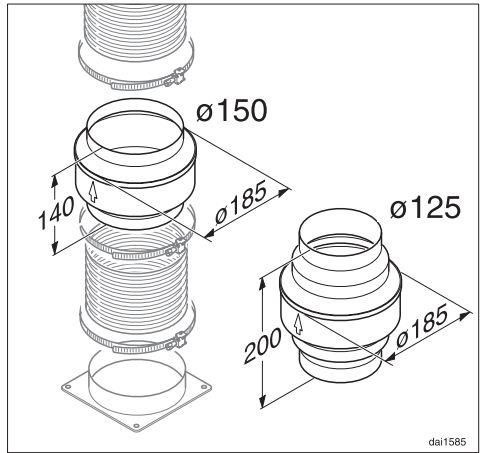
Never connect an exhaust hood to an active chimney, dryer vent, flue, or room venting ductwork. Seek professional advice before connecting an exhaust hood vent to an existing, inactive chimney or vent flue.

Important

If the ductwork runs through rooms, ceilings, garages, etc. where temperature variations exist, it may need to be insulated to reduce condensation.

Condensate trap

optional accessory



In some cases, a condensate trap may also be required to collect and evaporate any condensate which may occur. This optional accessory is available for ducts 5" (125 mm) and 5 7/8" (150 mm) in diameter.

When installing a condensate trap, ensure that it is positioned vertically and if possible directly above the exhaust outlet.

**Please have the model and serial number
of your appliance available before
contacting Technical Service.**

The Miele logo is displayed in a bold, white, serif font against a black rectangular background.

**U.S.A.
Miele, Inc.**

National Headquarters

9 Independence Way
Princeton, NJ 08540
Phone: 800-843-7231
609-419-9898
Fax: 609-419-4298
www.miele.com

**Technical Service & Support
Nationwide**

Phone: 800-999-1360
Fax: 888-586-8056
TechnicalService@mieleusa.com

**Canada
Miele Limited**

Headquarters and Showroom

161 Four Valley Drive
Vaughan, ON L4K 4V8
Phone: 800-643-5381
905-660-9936
Fax: 905-532-2290
www.miele.ca
info@miele.ca (general enquiries)
professional@miele.ca (commercial
enquiries)

MieleCare National Service

Phone: 800-565-6435
905-532-2272
Fax: 905-532-2292
service@miele.ca (technical enquiries)

Free Manuals Download Website

<http://myh66.com>

<http://usermanuals.us>

<http://www.somanuals.com>

<http://www.4manuals.cc>

<http://www.manual-lib.com>

<http://www.404manual.com>

<http://www.luxmanual.com>

<http://aubethermostatmanual.com>

Golf course search by state

<http://golfingnear.com>

Email search by domain

<http://emailbydomain.com>

Auto manuals search

<http://auto.somanuals.com>

TV manuals search

<http://tv.somanuals.com>