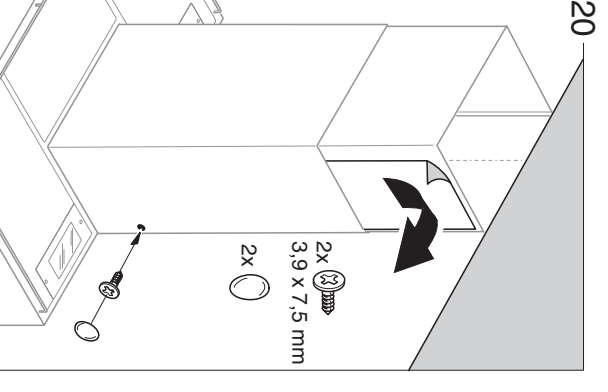
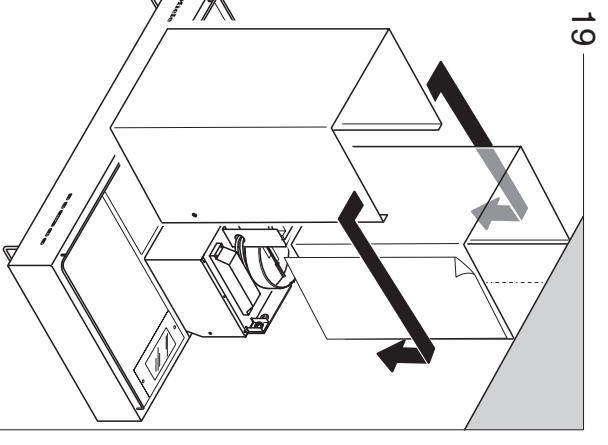
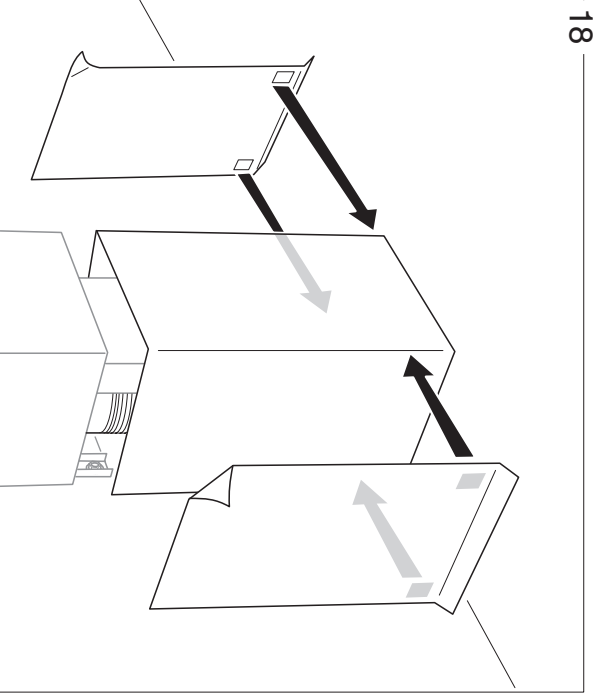
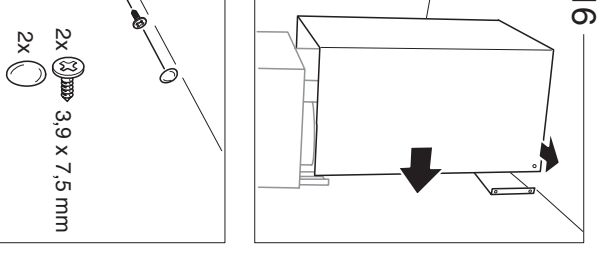
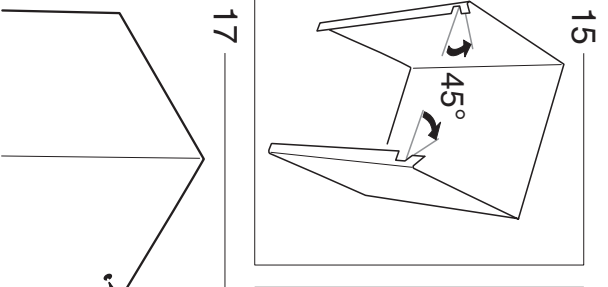
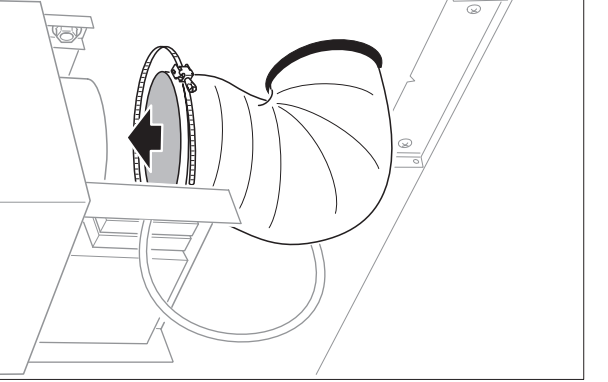
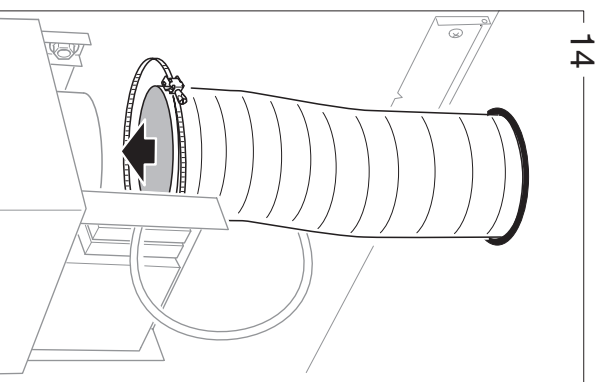
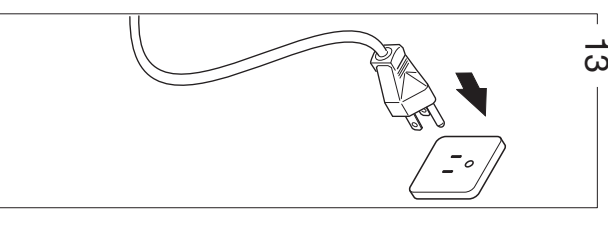
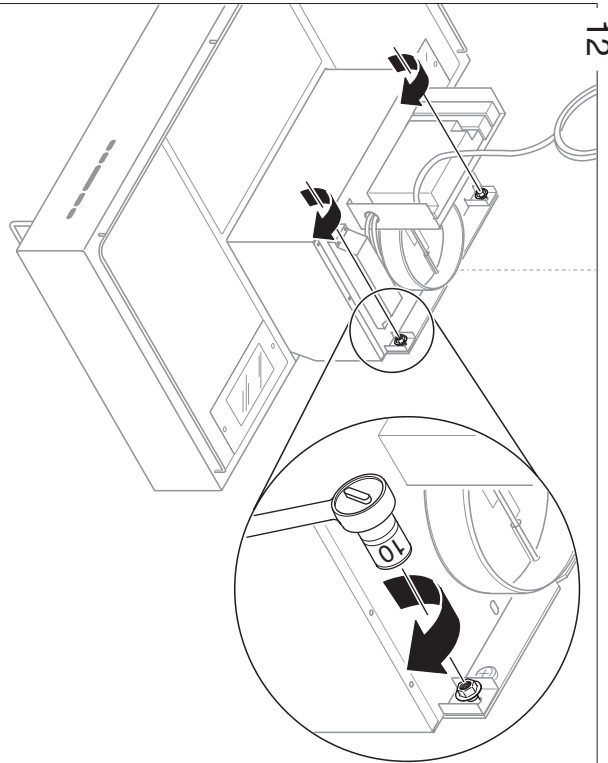
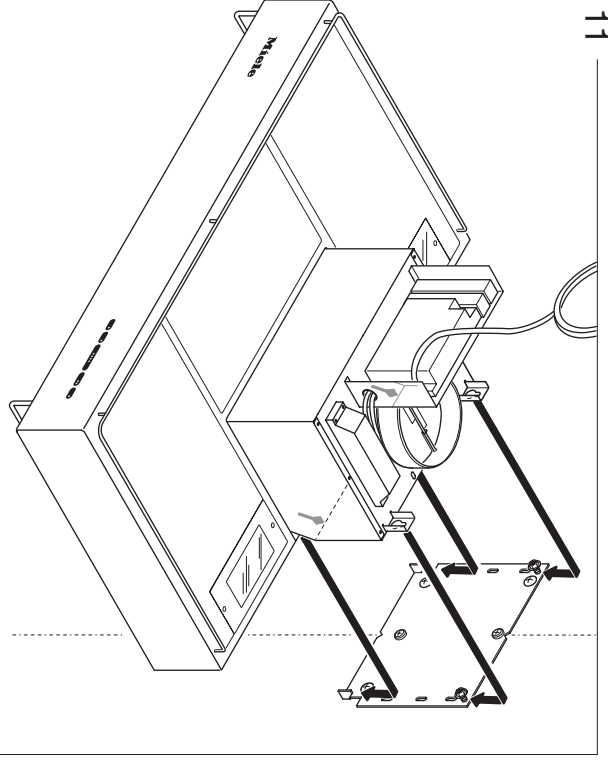
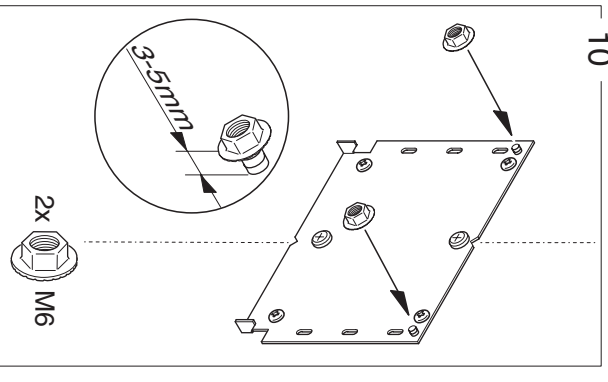
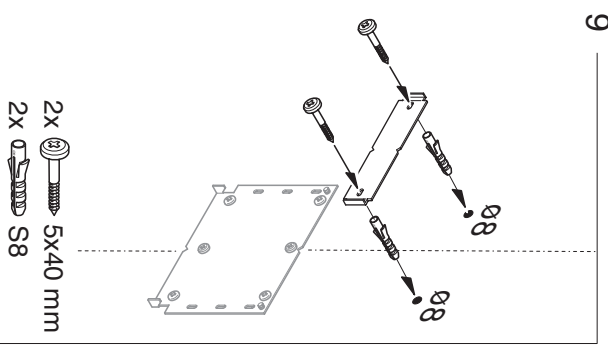
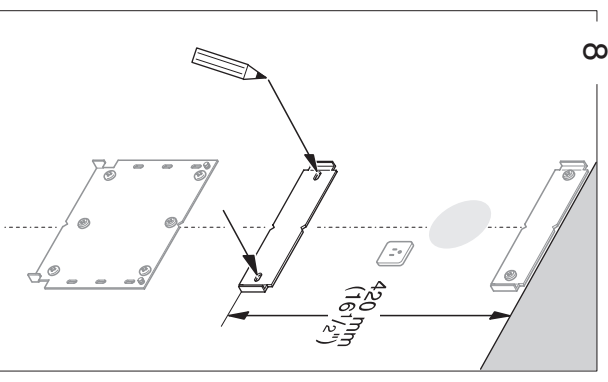
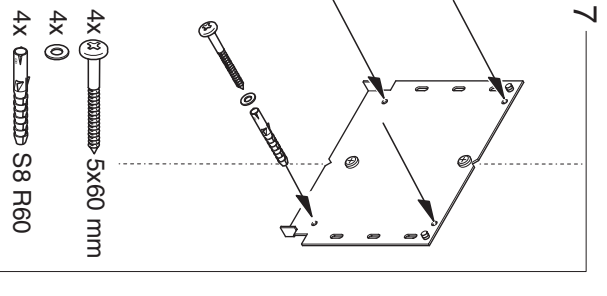
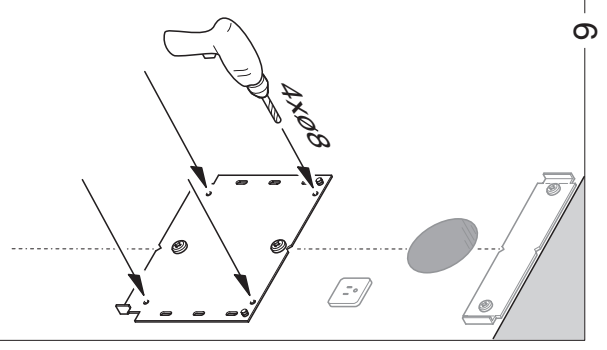
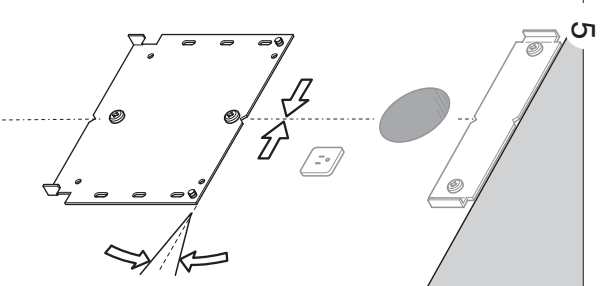
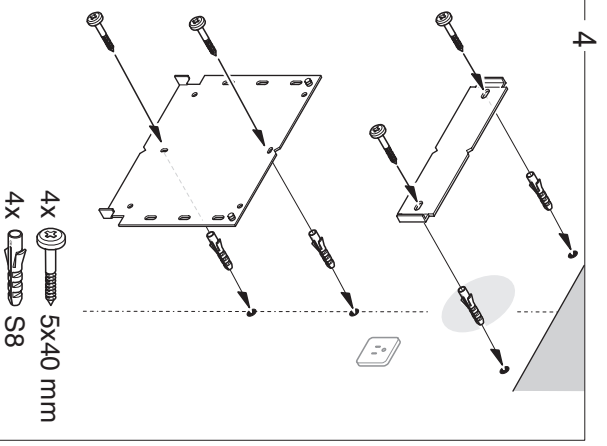
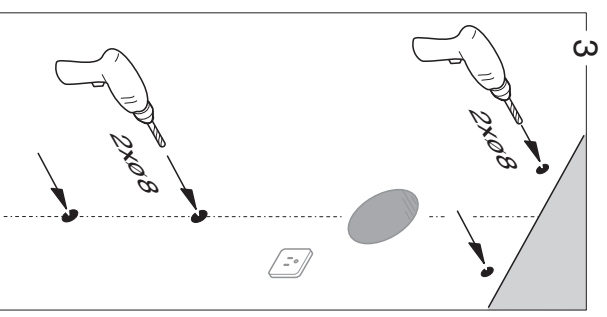
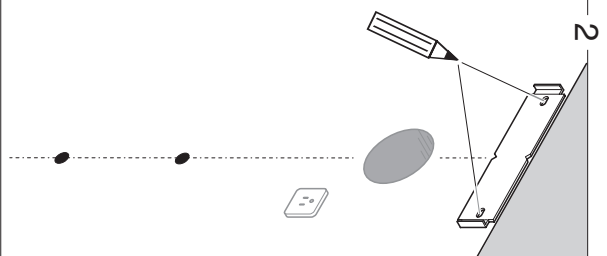
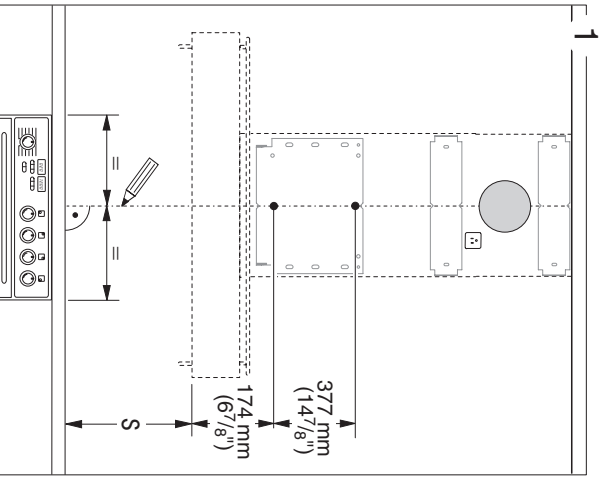
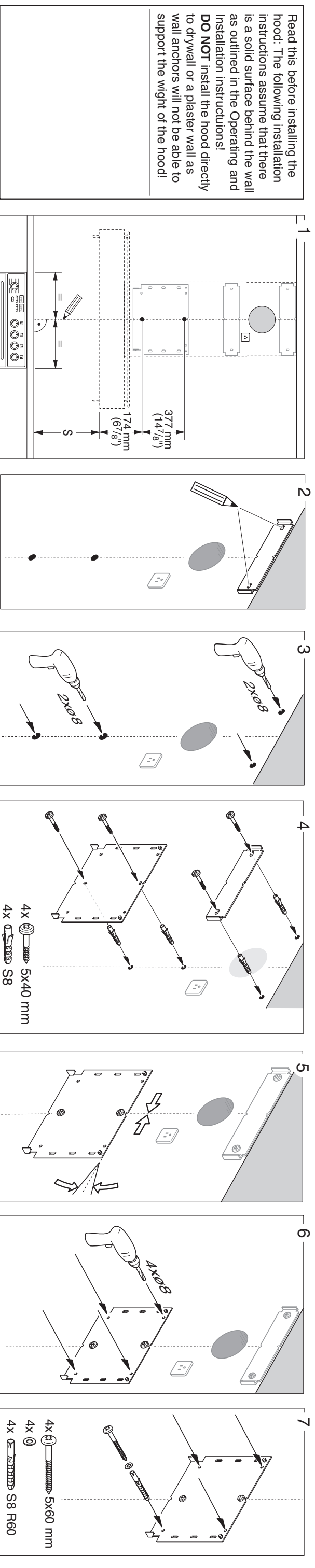


Read this before installing the hood: The following installation instructions assume that there is a solid surface behind the wall as outlined in the Operating and Installation instructions!
DO NOT install the hood directly to drywall or a plaster wall as wall anchors will not be able to support the weight of the hood!



Free Manuals Download Website

<http://myh66.com>

<http://usermanuals.us>

<http://www.somanuals.com>

<http://www.4manuals.cc>

<http://www.manual-lib.com>

<http://www.404manual.com>

<http://www.luxmanual.com>

<http://aubethermostatmanual.com>

Golf course search by state

<http://golfingnear.com>

Email search by domain

<http://emailbydomain.com>

Auto manuals search

<http://auto.somanuals.com>

TV manuals search

<http://tv.somanuals.com>