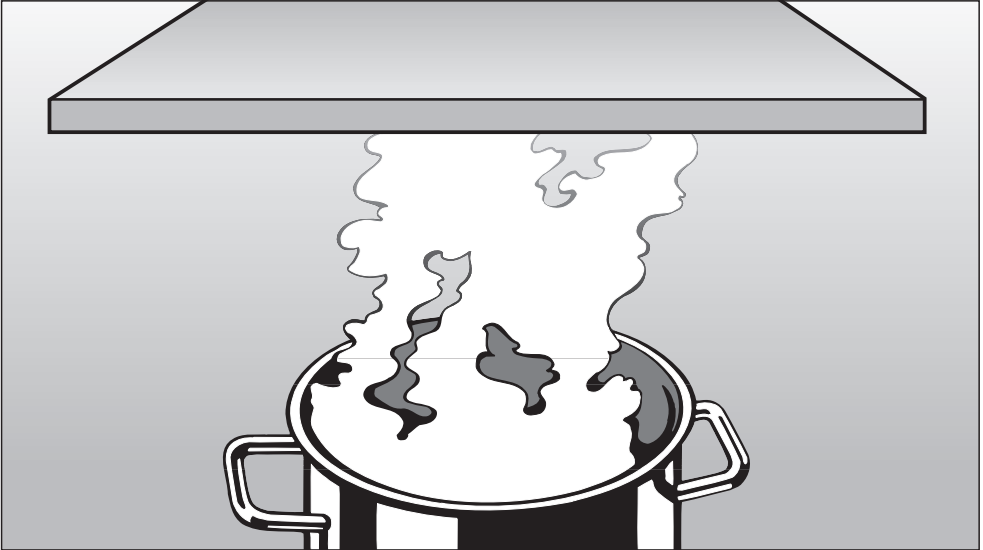


## Operating and Installation Instructions



### Ventilation System

DA 362-75

DA 362-110

To prevent accidents  
and machine damage,  
read these instructions

**before**

installation or use.



M.-Nr. 06 191 500

# Contents

---

<b>IMPORTANT SAFETY INSTRUCTIONS</b> . . . . .	3
<b>Functional description</b> . . . . .	7
<b>Guide to the hood</b> . . . . .	8
<b>Operation</b> . . . . .	10
Main power switch . . . . .	10
Joystick . . . . .	10
Turning on the fan . . . . .	11
Selecting the power level. . . . .	11
Delayed Shut Down . . . . .	12
Turning off the fan . . . . .	12
Overhead lighting . . . . .	12
Filter timers . . . . .	13
Checking the filter timers. . . . .	13
Reprogramming the timers . . . . .	14
<b>Cleaning and care</b> . . . . .	16
Cleaning the casing. . . . .	16
Grease filters . . . . .	17
Active charcoal filters. . . . .	19
Changing the light bulb . . . . .	20
<b>After Sales Service</b> . . . . .	21
<b>Installation instructions</b> . . . . .	23
<b>Caring for the environment</b> . . . . .	24
<b>Electrical data</b> . . . . .	25
<b>Appliance dimensions</b> . . . . .	26
<b>Installation</b> . . . . .	28
Air extraction mode . . . . .	30
Recirculation mode . . . . .	31
Installing the joystick . . . . .	33
Joystick extension . . . . .	33
Electrical connection . . . . .	34
<b>Air extraction</b> . . . . .	35

# IMPORTANT SAFETY INSTRUCTIONS

## Read these Operating Instructions carefully before installing or using the Ventilation System.

This appliance is intended for residential use only. Use the appliance only for its intended purpose. The manufacturer cannot be held responsible for damages caused by improper use of the hood.

This appliance complies with current safety requirements. Improper use of the appliance can lead to personal injury and material damage.

### **READ AND SAVE THESE INSTRUCTIONS**

#### **CAUTION**

For General Ventilating Use Only.  
Do Not Use To Exhaust Hazardous  
Or Explosive Materials And Vapors.

■ This appliance is designed to vent cooking smoke and odors only.

■ Be certain your appliance is properly installed and grounded by a qualified technician.

To guarantee the electrical safety of this appliance, continuity must exist between the appliance and an effective grounding system. It is imperative that this basic safety requirement be met. If there is any doubt, have the electrical system of the house checked by a qualified electrician. The manufacturer can not be held responsible for damages caused by the lack, or inadequacy of, an effective grounding system.

■ Before connecting the appliance to the power supply make sure that the voltage and frequency listed on the data plate correspond with the household electrical supply. This data must correspond to prevent machine damage. Consult a qualified electrician if in doubt.

■ Installation work and repairs should only be performed by a qualified technician in accordance with all applicable codes and standards. Repairs and other work by unqualified persons could be dangerous and the manufacturer will not be held responsible.

# IMPORTANT SAFETY INSTRUCTIONS

---

■ This equipment is not designed for maritime use or for use in mobile installations such as caravans or aircraft. However, under certain conditions it may be possible for an installation in these applications. Please contact the nearest Miele dealer or the Technical Service Department with specific requirements.

■ Before servicing or cleaning the unit, switch power off at the service panel and lock the service disconnecting means to prevent power from being switched on accidentally. When the service disconnecting means can not be locked, securely fasten a prominent warning device, such as a tag, to the service panel.

■ Before discarding an old appliance, unplug it from the power supply and remove the power cord and any doors to prevent hazards.

## Use

■ Do not allow children to play with or operate the appliance or its controls. Supervise its use by the elderly or infirm.

■ Be careful when preparing a flambé beneath the hood. Flames may be drawn up into the hood by the suction or grease filters may catch fire.

■ Never operate gas burners without pots.

■ Do not leave cooking surfaces unattended while in use. Overheated food, oil and grease can catch fire.

■ Do not use the hood without the grease filters in place.

■ Clean the grease filters regularly. Dirty filters are a fire hazard.


■ Do not use a steam cleaner to clean the hood. Steam could penetrate electrical components and cause a short circuit.


■ Always turn on the hood when using the cooktop to prevent damage from condensation.


# IMPORTANT SAFETY INSTRUCTIONS


---

## **WARNING - TO REDUCE THE RISK OF A RANGE TOP GREASE FIRE:**

 Never leave surface units unattended at high settings. Boilovers cause smoking and greasy spillovers may ignite. Heat oils slowly on low or medium settings.

 Always turn the hood "ON" when cooking at high heat or when cooking flaming foods.

 Clean ventilating fans frequently. Grease should not be allowed to accumulate on the fan or filter.


 Use proper pan size. Always use cookware appropriate for the size of the surface element.


## **WARNING TO REDUCE THE RISK OF INJURY TO PERSONS IN THE EVENT OF A RANGE TOP GREASE FIRE, OBSERVE THE FOLLOWING:**

 **SMOTHER FLAMES** with a close fitting lid, cookie sheet, or metal tray, then turn off the burner.

**BE CAREFUL TO PREVENT BURNS.** If the flames do not go out immediately, **EVACUATE AND CALL THE FIRE DEPARTMENT.**

 **NEVER PICK UP A FLAMING PAN** - You may be burned.

 **DO NOT USE WATER**, including wet dishcloths or towels - a violent steam explosion will result.


 Use an extinguisher **ONLY** if:


- You know you have a Class ABC extinguisher, and you already know how to operate it.
- The fire is small and contained in the area where it started.
- The fire department is being called.
- You can fight the fire with your back to an exit.

# IMPORTANT SAFETY INSTRUCTIONS

---

## Installation


 **WARNING**  
**To reduce the risk of fire only use metal ductwork.**


 When installing the hood, follow the recommended minimum safety distances between a Miele cooktop and the hood:


- 22" (55 cm) above electric cooktops,
- 26" (65 cm) above gas cooktops,
- 26" (65 cm) above an open grill.


If local building codes require a greater safety distance, follow their requirement.


For non-Miele cooking appliances maintain the safety distances recommended by the appliance manufacturer in their instructions. If there is more than one appliance beneath the hood and they have different minimum safety distances always select the greater distance.

 Be careful not to damage hidden electrical wiring or plumbing when cutting or drilling into the wall or ceiling.


 Do not use an extension cord to connect the appliance to electricity. Extension cords do not guarantee the required safety of the appliance, (e.g. danger of overheating).

 Do not install this hood over cooktops burning solid fuel.

 Any fittings, sealant, or materials used to install the ductwork must be made of approved non-flammable materials.

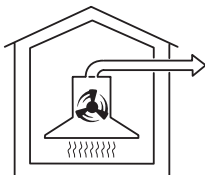
 Never connect an exhaust hood to an active chimney, dryer vent, vent flue, or room ventilating ductwork. Seek professional advice before connecting an exhaust hood vent to an existing, inactive chimney or vent flue.

 Ducted fans must always be vented outdoors.

 Make sure that the airflow in the room is sufficient for combustion and exhausting of all non-electric heating appliances (water heaters, gas cooktops, gas ovens, etc.), otherwise backdrafts may occur. Follow the heating manufacturer's guidelines and safety standards or those published by the National Fire Protection Association (NFPA), or the American Society for Heating, Refrigeration and Air Conditioning Engineers (ASHRAE). If in doubt, consult an experienced professional.

The ventilation hood offers two modes of operation:

### ... Air extraction:



The air is drawn in and cleaned by the grease filters and directed outside.

The hood comes equipped with a **non-return flap**. This flap automatically closes when the hood is turned off so that no exchange of outside air and room air can occur.

When the hood is turned on, the air pressure of the exhaust fan automatically opens the flap blowing the inside air and cooking odors outside.

### ... Recirculation mode:

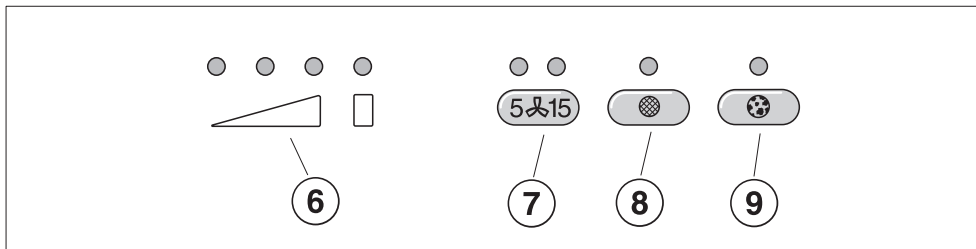
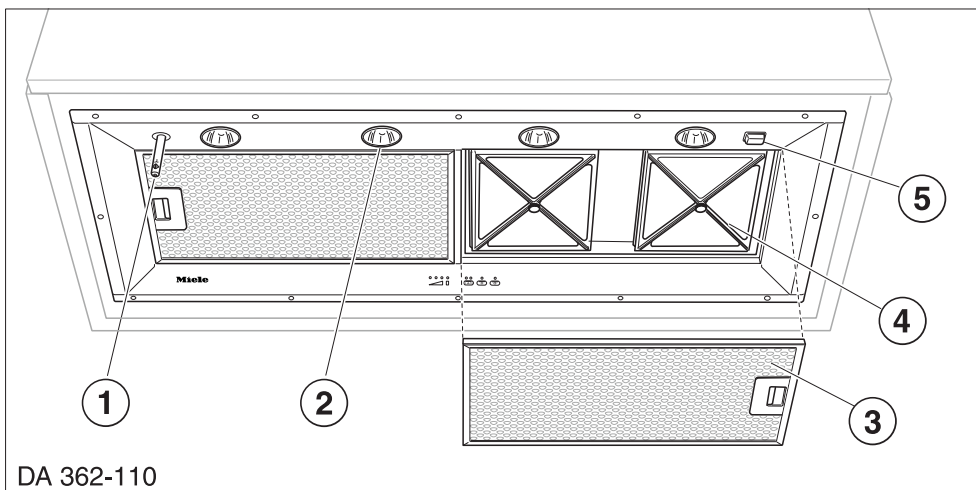
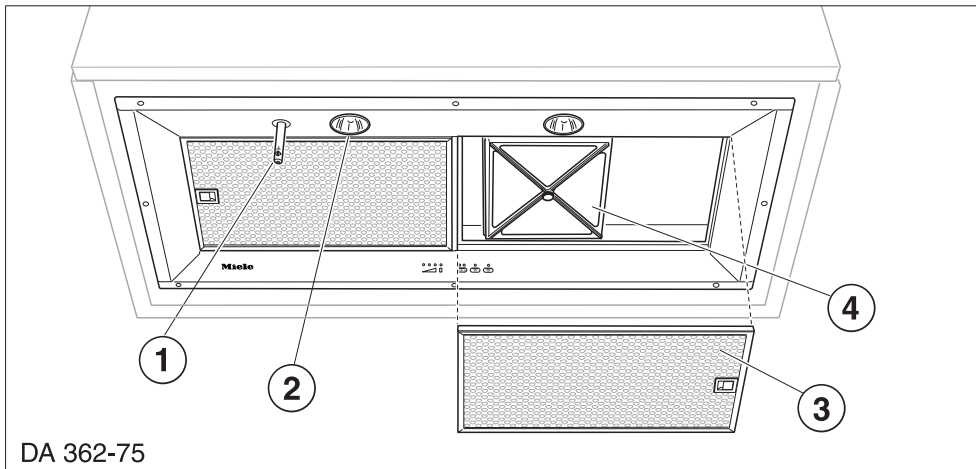


Air is drawn through the grease filters and **active charcoal filters**. The filtered air is then recirculated back into the kitchen through a vent at the top of the hood's chimney.

The active charcoal filters may be purchased from your Miele dealer or Miele's Technical Service Department.

Before using the hood in recirculation mode, ensure that the active charcoal filters are in place, see "Cleaning and Care".

# Guide to the hood



darf 1598



## ① Joystick

The fan and light can be operated with the joystick.

## ② Overhead lighting

## ③ Grease filter

## ④ Charcoal filters

additional accessory

DA 362-75 two filters

DA 362-110 four filters

## ⑤ Main power switch

only for the DA 362-110

## ⑥ Fan power scale

## ⑦ Delay Shut Down

This button activates the Delayed Shut Down feature. The fan can be set to turn off automatically after either 5 or 15 minutes.

## ⑧ Grease filter button

The indicator above the grease filter button lights when the grease filters need to be cleaned.

The button is also used:

- to reset the grease filter timer after cleaning the grease filters (see "Cleaning and Care").
- to show how long the grease filters have been in use (see "Operation / Filter timers").
- to change the number of hours counted by the grease filter timer (see "Operation / Reprogramming the filter timers").

## ⑨ Charcoal filter button

The indicator above the charcoal filter button lights up when the charcoal filters need to be replaced.

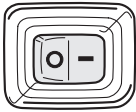
The button is also used:

- to reset the charcoal filter timer after changing the filters (see "Cleaning and Care").
- to show how long the charcoal filters have been in use (see "Operation / Filter timers").
- to change the number of hours counted by the charcoal filter timer (see "Operation / Reprogramming the filter timers").

# Operation

## Main power switch

only for the DA 362-110

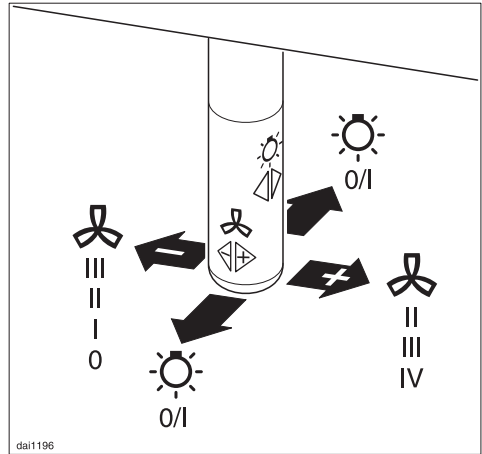


Press the main power switch to "I" to use the fan and lighting.

If the appliance is not going to be used for a long period of time (e.g. while vacationing) it should be turned off ("0") at the main power switch.

The next time it is turned on, the hood will operate at the level previously used.

## Joystick



The joystick controls the fan power and overhead lighting.

## Turning on the fan

- Press the joystick once to the right.



The fan runs at power level "II" and the second indicator of the fan power scale lights.

## Selecting the power level

- Press the joystick to the right, to increase the fan speed.

The corresponding indicator of the fan power scale lights.

Level "1" to "3" (green indicators) are usually sufficient for normal cooking.

## Intensive setting



Level "4" (yellow indicator) should be used for a short period when frying or cooking food with a strong aroma.

## Fan performance

### DA 362-75:

The maximum air flow capacity is 425 cfm. Factors such as narrow duct diameter and bends will affect this value.

### DA 362-110:

The maximum air flow capacity is 850 cfm. Factors such as narrow duct diameter and bends will affect this value.

Level 1 operates at 40% capacity

Level 2 operates at 60% capacity

Level 3 operates at 80% capacity

Level 4 operates at 100% capacity

There will also be a slight decrease in airflow for hoods operated in recirculation mode due to the active charcoal filter.

# Operation

## Delayed Shut Down

If odors or smoke remain in the kitchen after cooking has been completed, the Delayed Shut Down feature can be selected to allow the hood to continue running for either 5 or 15 minutes.



- Press the Delayed Shut Down button while the fan is still running:

Press once = 5 minutes delay  
(left indicator lights)

Press twice = 15 minutes delay  
(right indicator lights)

To cancel the Delayed Shut Down feature press the button again.

## Turning off the fan

- Hold the joystick to the left until the fan shuts off and the fan power scale indicators go out.

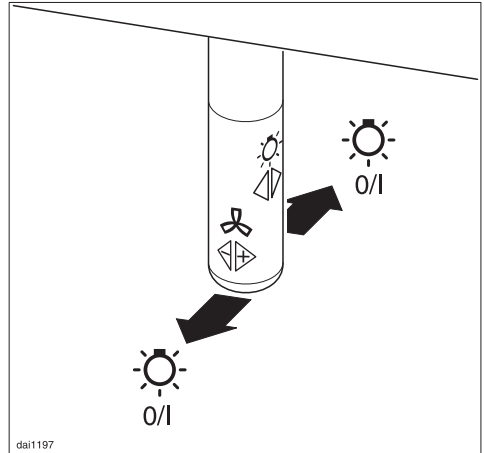
## Automatic Safety Shut Off

The fan will turn off automatically 10 hours after the last movement of the joystick. The lighting remains on.

- Press the joystick once to the right to turn the fan back on again.

## Overhead lighting

The overhead lighting can be turned on and off independently of the fan.



- To turn the light on or off, press the joystick either once backwards or once forwards.

## Filter timers

### Grease filter timer

A timer monitors the hours of operation. The indicator for the grease filter will light after 30 hours of fan operation. The grease filters must then be cleaned.

After the grease filter has been cleaned and put back in place, the grease filter timer must be reset.



- To do this press the grease filter button for about 3 seconds.

The indicator will go out.

To change the hours of operation, see "Reprogramming the timers".

### Charcoal filters

The timer for the charcoal filter is not preset. Please program this timer, see "Operation / Reprogramming the charcoal filter timer". The charcoal filter indicator will light once the selected time has elapsed. The **charcoal filters** must then be replaced and the charcoal filter timer must be reset.



- To do this, press the charcoal filter button for about 3 seconds.

The indicator will go out.

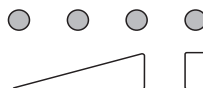
## Checking the filter timers

To check the percentage of time set already used:

- Press the joystick to the left to turn the fan on.



- Press the grease filter or charcoal filter button.



The number of flashing indicators show the percentage of programmed hours that have been used.

- 1 indicator = 25 %
- 2 indicators = 50 %
- 3 indicators = 75 %
- 4 indicators = 100 %

This information will remain stored in memory in the event of a power failure.

# Operation

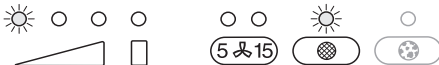
## Reprogramming the timers

The grease filter timer is preset to 30 hours. This time can be lengthened or shortened to 20, 30, 40 or 50 hours.

- A time of 20 hours should be programmed in kitchens with frequent pan or deep frying.
- A time of 20 hours should also be programmed if the kitchen is only used occasionally. Otherwise grease which has accumulated over a long period of time will harden on the filters making cleaning more difficult.

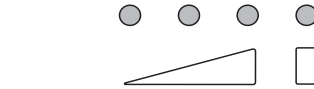
## Reprogramming the grease filter timer

- Press the joystick to the left to turn the fan off.



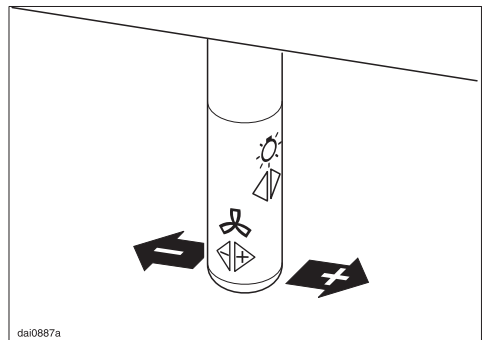
- Press the Delayed Shut Down and the grease filter buttons at the same time.

The indicator for the grease filter and one of the fan power scale indicators will flash.



The indicators of the fan power scale show the programmed time:

- 1st indicator from the left = 20 hours
- 2nd indicator from the left = 30 hours
- 3rd indicator from the left = 40 hours
- 4th indicator from the left = 50 hours



- Use the joystick to select the desired time. Press it to the left for a shorter operating time, to the right for a longer operating time.



- Store the selection by pressing the grease filter button.

All indicators will go out.

If the procedure is not stored within 4 minutes of programming the hood will automatically default to the "old" data.

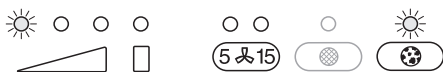
## Reprogramming the charcoal filter timer

The active charcoal filter can only be used in recirculation mode and can not be used to exhaust fumes.

The charcoal filter timer is **not preset**.

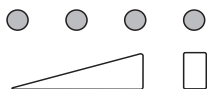
Before using the hood in recirculation mode, the charcoal filter timer must be programmed.

- Press the joystick to the left to turn the fan off.



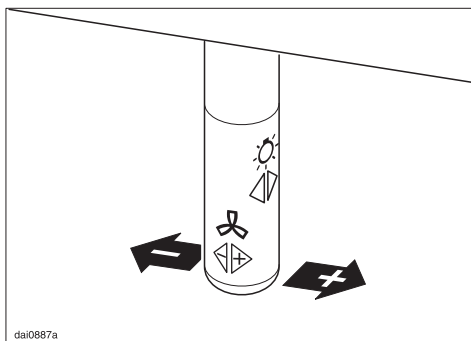
- Press the Delayed Shut Down and charcoal filter buttons at the same time.

The indicator for the charcoal filter and one of the fan power scale indicators will flash.



The indicators of the fan power scale show the programmed time:

- 1st indicator from the left = 120 hours
- 2nd indicator from the left = 180 hours
- 3rd indicator from the left = 240 hours
- 4th indicator from the left = infinite



- Use the joystick to select the desired time. Press it to the left for a shorter operating time, to the right for a longer operating time.



- Store the selection by pressing the charcoal filter button.

All indicators will go out.

If the procedure is not stored within 4 minutes of programming, the hood will automatically default to the “old” data.

# Cleaning and care

---

Before cleaning or servicing the hood, disconnect it from the power supply by either removing the fuse, unplugging it from the outlet or manually "tripping" the circuit breaker.

## Cleaning the casing

Warning: Never use abrasive cleansers, scouring pads, steel wool or caustic (oven) cleaners on the hood. They will damage the surface.

- All external surfaces and controls can be cleaned with warm water and liquid dish soap applied with a soft sponge.
- Wipe dry using a soft cloth.

Do not use too much water when cleaning the controls. Water could penetrate into the electronics and cause damage.

## Stainless steel

Stainless steel surfaces can be cleaned using a non-abrasive stainless steel cleaner.

To help prevent resoiling, a conditioner for stainless steel can also be used. Apply sparingly with even pressure.

## Stainless steel colored controls

These controls may become discolored or damaged if not cleaned regularly. Do not use a stainless steel cleaner on these controls.



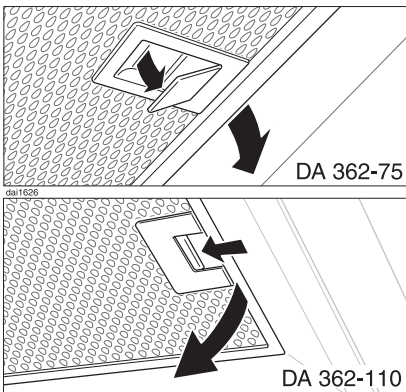
## Grease filters

The reusable metal grease filters remove solid particles from the vented kitchen air (grease, dust, etc).



The grease filters should be cleaned every 3-4 weeks or whenever the grease filter indicator lights.

A dirty filter is a fire hazard.



- To remove the grease filters release the latch. Holding carefully, lower and remove the filter.

Be careful not to drop the filter onto the cooktop while removing.

## Cleaning the grease filters

- Clean the filters:
  - **by hand:** use a scrub brush in warm water with a mild detergent.
  - **in a dishwasher:** place the filters vertically and diagonally in the lower basket. If necessary adjust the upper basket. Make sure that the spray arm can rotate freely.

Depending on the detergent, cleaning the grease filters in a dishwasher may cause permanent discoloration of the filter surface. Performance of the filter will not be affected by this discoloration.

- After cleaning, leave the filters on a towel to air dry.
- While the filters are removed, clean any dirt or grease from the filter casing to prevent the risk of fire.

# Cleaning and care

---

## Inserting the grease filters

When putting the grease filters back make sure that the locking clips are visible facing down towards the cooking surface.

If the filters are incorrectly installed, insert a small screwdriver into the slit along its edge to disengage it from the casing.



- After returning the grease filters, press the grease filter button for 3 seconds to reset the timer. The indicator light will go out.
- If the grease filters are cleaned before the grease filter timer has reached its maximum, the grease filter button should be pressed for 6 seconds to reset the counter to zero

## Active charcoal filters

In recirculation mode four active charcoal filters must be used in addition to the grease filters. The charcoal filters are designed to absorb cooking odors. They are located in the canopy above the grease filters.

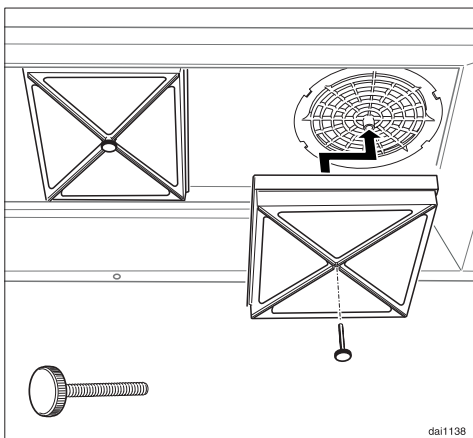
Active charcoal filters can be ordered from Technical Service.

USA 1-800-999-1360

CDN 1-800-565-6435

Please quote part # 03 174 713

- The grease filters must be removed to access the active charcoal filters (see "Cleaning and Care / Grease filters").



- Insert the charcoal filters and fasten with the enclosed screws.
- Return the grease filters.

Before using:

- Program the charcoal filter timer, see "Operation/Reprogramming the charcoal filter timer".



Replace the active charcoal filters when the charcoal filter indicator lights. These filters should be replaced at least every 6 months or when they no longer absorb odors efficiently.

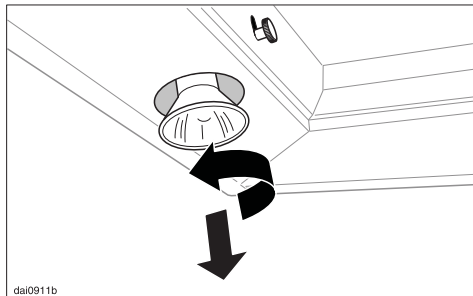
- After replacing the charcoal filters, press and hold the charcoal filter button for 3 seconds to reset the timer. The indicator light will go out.
- If the charcoal filters are replaced before the timer has reached its maximum, the charcoal filter button should be pressed for 6 seconds to reset the counter to zero.

# Cleaning and care

## Changing the light bulb

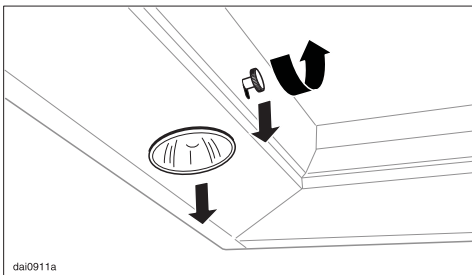
Before changing the light bulb, disconnect the hood from the power supply by either removing the fuse, unplugging it, or manually "tripping" the circuit breaker.

When in use halogen bulbs become extremely hot, and they can burn your hands. Do not attempt to change the bulbs until they have had sufficient time to cool down. Do not touch the bulb surface. Fingerprints or body oils deposited on the bulb will decrease the life of the bulb. Follow the bulb manufacturer's instructions.



- Turn the bulb to the left and pull it downwards.
- Install the new bulb in reverse order.
- Return the grease filters.

- Remove the grease filter.



- Loosen the bulb's fixing screw and slide it downwards.
- Tighten the screw.

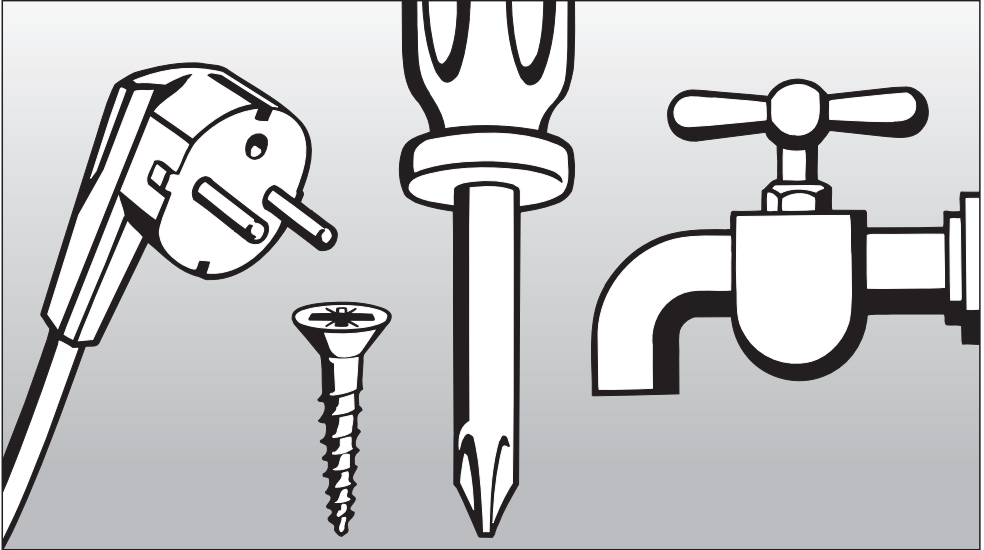
In the event of a fault which you can not correct yourself please contact the Miele Technical Service Department

**USA** 1-800-999-1360  
techserv@mieleusa.com

**CDN** 1-800-565-6435  
service@miele.ca

When contacting the Technical Service Department, please quote the model and serial number of your appliance. These are shown on the data plate which is visible when the grease filter is removed.





## Installation Instructions

# Caring for the environment

---

## Disposal of packing material

The cardboard box and packing materials protect the appliance during shipping. They have been designed to be biodegradable and recyclable. Please recycle.

To prevent suffocation of children, ensure that any plastic wrappings, bags etc. are disposed of safely and kept out of their reach.

## Disposal of an old appliance

Old appliances may contain materials that can be recycled. Please contact your local recycling authority about the possibility of recycling these materials.

Before discarding an old hood, unplug it from the outlet and cut off its power cord to prevent hazards.



All electrical work should be performed by a qualified electrician in strict accordance with national and local safety regulations.

Installation, repairs and other work by unqualified persons could be dangerous. The manufacturer can not be held responsible for unauthorized work.

Ensure that power to the appliance is "OFF" while installation or repair work is performed.

Verify that the voltage, load and circuit rating information found on the data plate (located behind the grease filter), match the household electrical supply before installing the hood.

If there is any question concerning the electrical connection of this appliance to your power supply, please consult a licensed electrician or call Technical Service.

USA 1-800-999-1360

CDN 1-800-565-6435

**WARNING:**  
**THIS APPLIANCE MUST BE**  
**GROUND**

## Important

The hood comes equipped with a 5 ft (1.5 m) power cord with a NEMA 5-15 molded plug for connection to a 120 VAC, 60 Hz, 15 A power outlet.

### DA 362-75:

Maximum load . . . . . 320 W  
Fan . . . . . 2 x 110 W  
Light . . . . . 2 x 50 W

### DA 362-110:

Maximum load . . . . . 640 W  
Fan . . . . . 4 x 110 W  
Light . . . . . 4 x 50 W

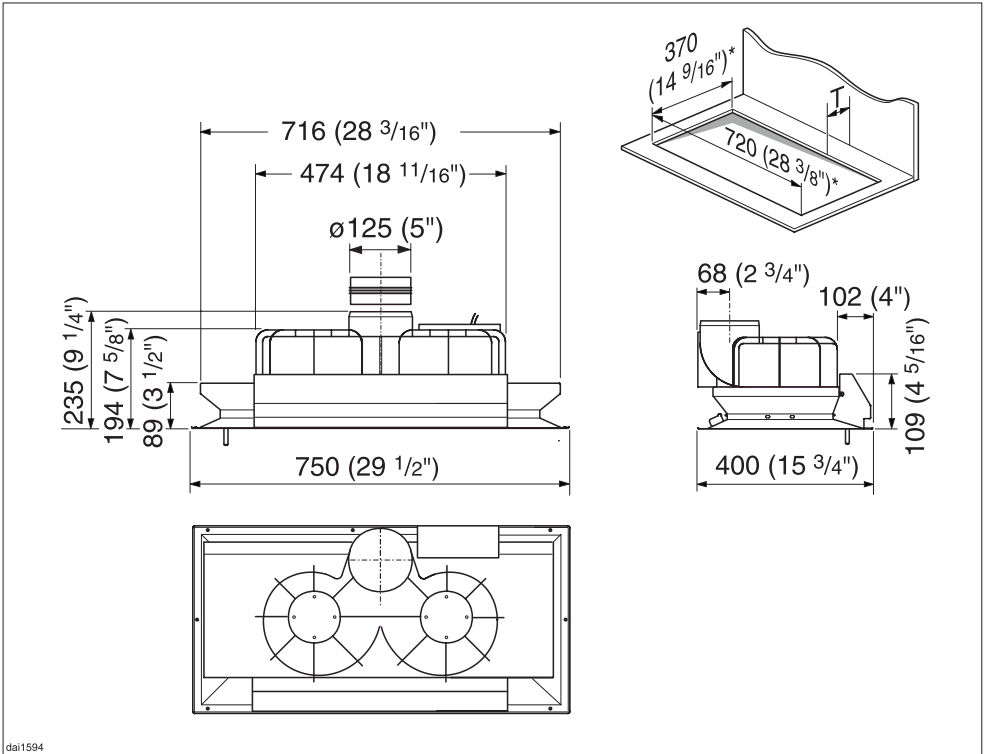
Voltage . . . . . 120 V

Frequency . . . . . 60 Hz

Circuit rating . . . . . 15 A

# Appliance dimensions

DA 362-75

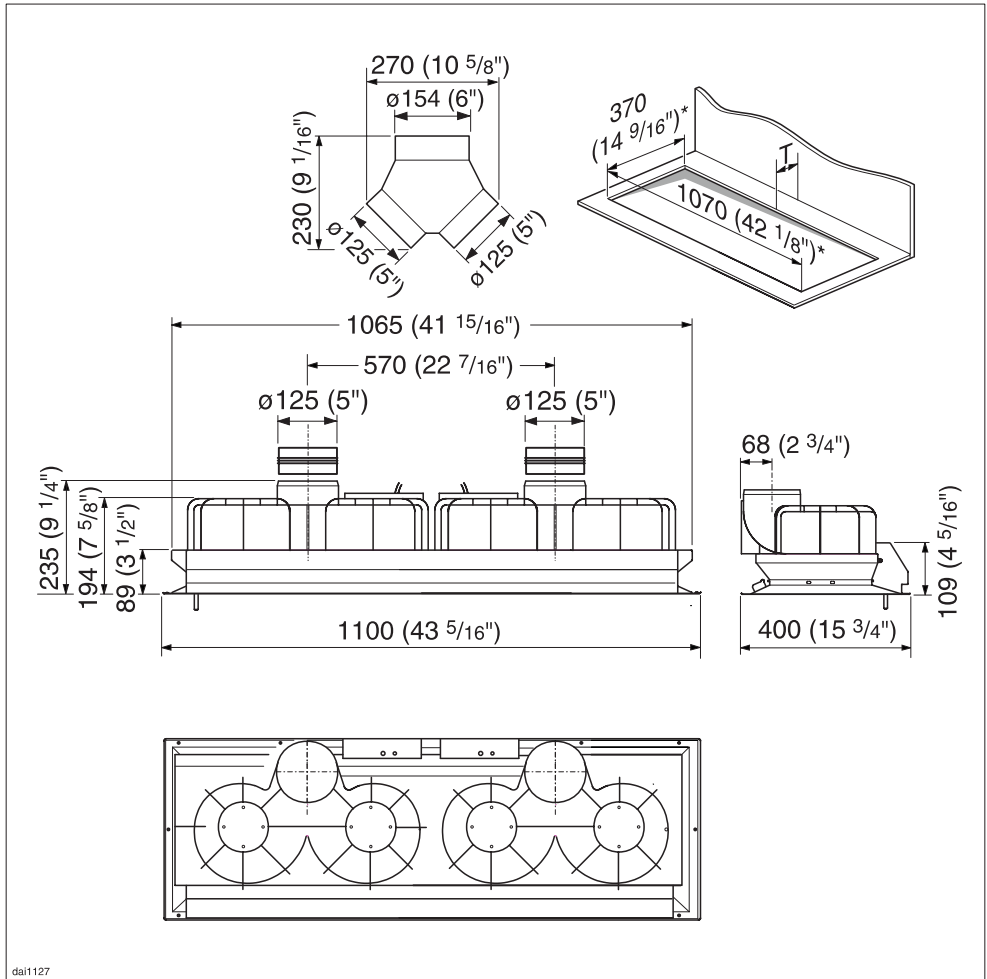


## \*Cut out dimensions

A depth **T**, min. 1 9/16" (40 mm), is necessary in the rear of the cabinet.

# Appliance dimensions

DA 362-110



## \*Cut out dimensions

A depth **T**, min. 1 9/16" (40 mm), is necessary in the rear of the cabinet.

# Installation

---

Do not install this hood over any appliance that burns solid fuel.

The **minimum safety distance** allowed between the top of a Miele cooking surface and the bottom of the hood is:

- 22" (55 cm) above electric cooktops
- 26" (65 cm) above gas cooktops
- 26" (65 cm) above an open grill

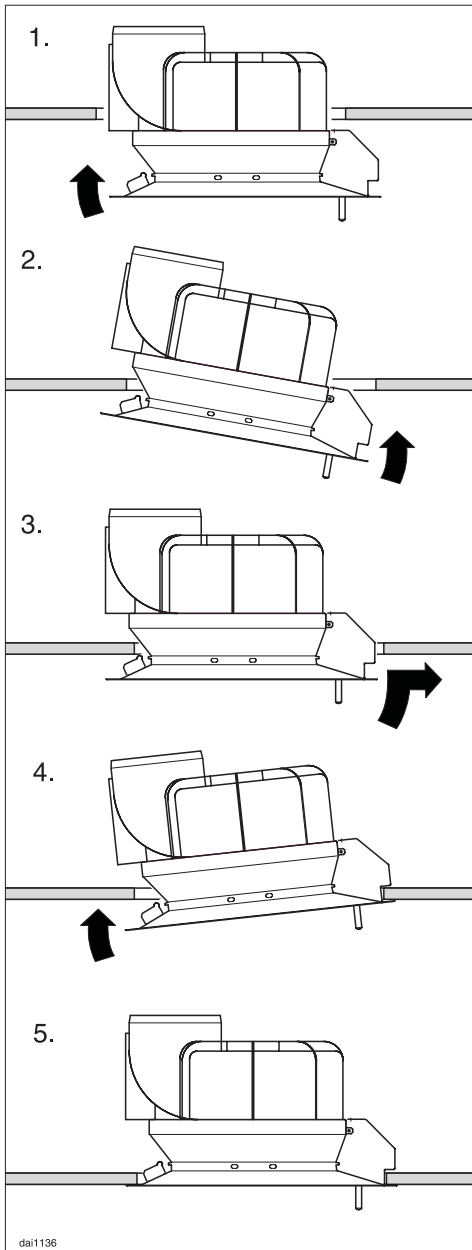
For non-Miele cooking appliances maintain the safety distances recommended by the cooktop manufacturer in their installation and operating instructions.

If there is more than one appliance beneath the hood and they have different minimum safety distances always select the greater distance.

Observe local building codes.

See "Important Safety Instructions" for further information.

26" (65 cm) is recommended for all installations to allow for optimum work space under the hood.



The hood is designed to be installed within cabinetry and kitchen islands.

The top half (motor and fan assembly) should be accessible after installation.

If the motor and fan assembly are not accessible, assemble the ductwork and the electrical connection **before** the installation.

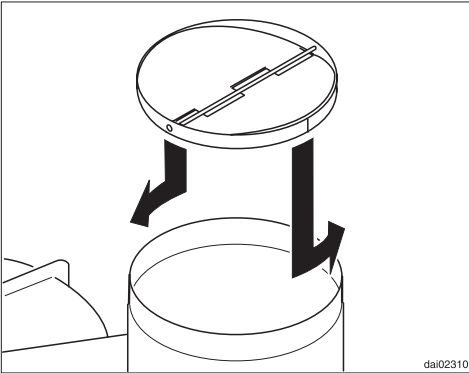
- Insert and align the hood from the bottom up in the cut out as seen in the illustration.
- Secure the hood through the frame with 12 screws (3.5 x 16 mm).

# Installation

---

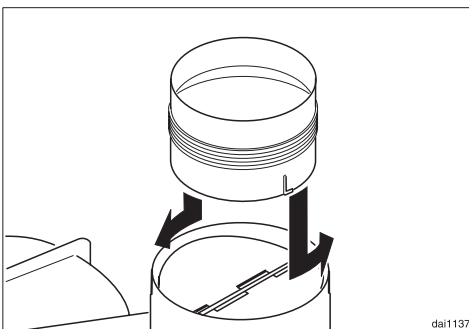
## Air extraction mode

### Non-return flaps



- Place the **non-return flaps** into the exhaust connections at the top of the motor assembly so that the flaps open in the "up" direction.
- Turn the non-return flaps slightly to the left to lock them in place.

### Reducing collar



- If using 5" (125 mm) ducting, place the reducing collars into the exhaust connections and turn left to lock them in place.

## Exhaust connection

- Connect the ductwork to the exhaust connection using appropriate measures for the type of ductwork being installed (hose clamp, duct tape, etc.).

### Note:

A Y- adapter is supplied with the DA 362-110. It may be used to feed the exhaust from both connections to a common duct.

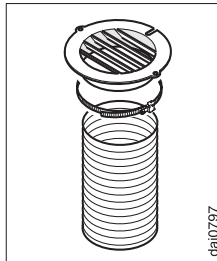
## Recirculation mode

If site conditions are not suitable for the hood to be used for air extraction, the appliance must be converted for recirculation.

For recirculation mode the following accessories can be ordered from your Miele dealer or the Technical Service Department:

### For DA 362-75:

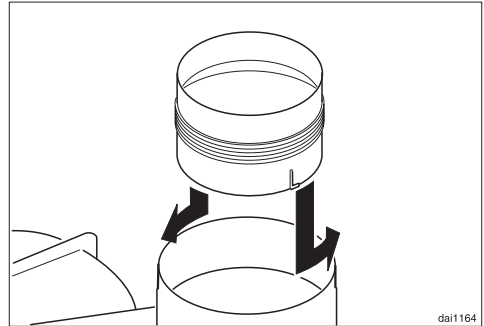
- 1 conversion kit for recirculation mode
- 2 active charcoal filters



### For Da 362-110:

- 2 conversion kits for recirculation mode
- 4 active charcoal filters

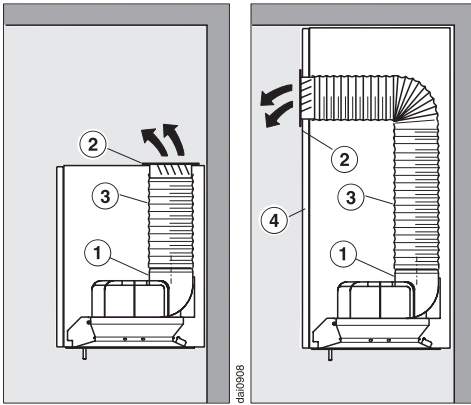
## Reducing collar



- The reducing collar must be used in recirculation mode. Place the collars into the exhaust connections and turn left to lock them in place. Do not insert the non-return flaps.

# Installation

## Recirculation connection



### ■ DA 362-75:

In recirculation mode, one cut out must be made, where the ducting ends, for the installation of the recirculation vents, (2).

If installing the hood over an island or in a cabinet at ceiling height, a suitable cut-out has to be made in the front panel, (4).

### ■ DA 362-110:

In recirculation mode, 2 cut outs must be made, where the ducting ends, for the installation of the recirculation vents, (2).

If installing the hood over an island or in a cabinet at ceiling height, a suitable cut-out has to be made in the front panel, (4).

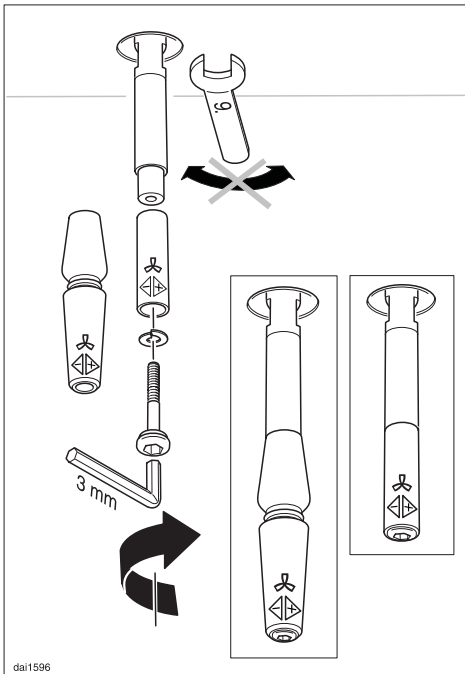
- The exhaust connection, (1), and the recirculation vent, (2), are joined together with a pipe or flexible duct, (3), cut to size.


When installing the recirculation vents make sure that the slats point towards the center of the room and not to a wall or the ceiling.

- Install the active charcoal filters (see "Cleaning and Care").

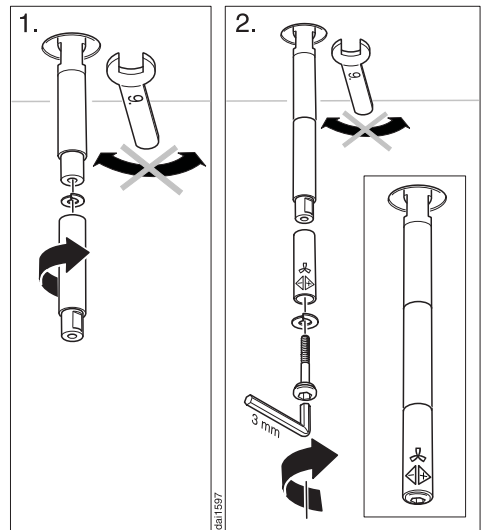


## Installing the joystick




- Insert the lower half of the desired joystick into the socket, loosely secure it in place with the included screw and spring washer. The screws have different lengths. Make sure the respective screw for the desired joystick is used.
- Turn the printed part of the joystick so that the -symbol faces front.
- Tighten the screw with an allen wrench. At the same time counter the joystick with a wrench.

## Joystick extension



The joystick can be extended for an easier reach.

- Attach the lower part of the joystick to the extension with a spring washer. Turn the -symbol to the front and screw in place with an allen wrench while using a wrench to counter the joystick base.
- Place a spring washer between the joystick base and the extension. Tighten the extension by hand while countering the joystick base with a wrench.

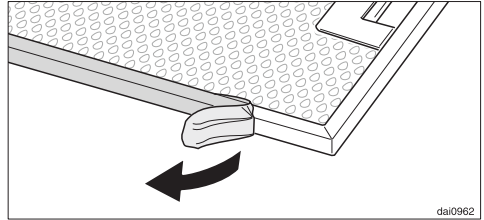
# Installation

---

## Electrical connection

Before connecting the appliance to power read the "Important Safety Instructions".

- Plug in the power cord.



- Before using the appliance remove the grease filters and remove the protective foil from the filter frame. Insert the grease filters back into place.

## **Danger of toxic fumes!**

Gas cooking appliances release carbon monoxide that can be harmful or fatal if inhaled. **The exhaust gases extracted by the hood should be vented outside of the building only. Do not terminate the exhaust ducts in attics, garages, crawlspaces, etc.**

- The extraction ducting should be as short and straight as possible, and the number of sharp bends should be minimized.
- For most efficient air extraction, the diameter of the ductwork should not be less than 5" (125 mm).

Noise levels of the hood will increase if flat ducts or round ducts of less than 5" (125 mm) in diameter are used.

Only reduce the diameter of the ducting if absolutely necessary, e.g. where narrower ducting has already been installed.

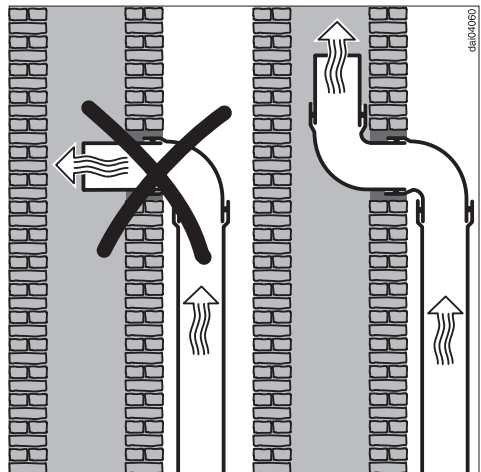
## **WARNING**

**To reduce the risk of fire, only use metal ductwork.**

## **CAUTION**

**To reduce risk of fire and to properly exhaust air, be sure to duct air outside. Do not vent exhaust air into spaces within walls or ceilings or into attics, crawl spaces, or garages.**

- Only use wide radius bends. Tight bends reduce the air flow of the hood.
- Use smooth or flexible pipes made from approved non-flammable materials for exhaust ducting.
- Where the ductwork is horizontal, it must slope away from the hood at least 1/8" per foot (1 cm per meter) to prevent condensation dripping into the appliance.
- If the exhaust is ducted through an outside wall, a Miele Telescopic Wall Vent can be used.



- If the exhaust is ducted into an inactive flue, the air must be expelled parallel to the flow direction of the flue.

## Air extraction

---

Never connect an exhaust hood to an active chimney, dryer vent, vent flue, or room venting ductwork. Seek professional advice before connecting an exhaust hood vent to an existing, inactive chimney or vent flue.

### **Important:**

If the ductwork runs through rooms, ceilings, garages, etc. where temperature variations exist, it may need to be insulated to reduce condensation. In some cases, a condensate trap may also be required to collect and evaporate any condensate which may occur.

When installing a condensate trap, ensure that it is positioned vertically and if possible directly above the exhaust outlet.







When contacting the Technical Service,  
please quote the model and serial number  
of your appliance.

---

The Miele logo is displayed in a bold, white, serif font against a solid black rectangular background.

**Miele, Inc.** (USA)

**National Headquarters**

9 Independence Way  
Princeton, NJ 08540  
Phone: 800-843-7231  
609-419-9898  
Fax: 609-419-4298  
[www.mieleusa.com](http://www.mieleusa.com)

**Technical Service & Support**

**Nationwide**

Phone: 800-999-1360  
Fax: 888-586-8056

**Miele Limited** (CDN)

**National Headquarters**

55G East Beaver Creek Road  
Richmond Hill, ON L4B 1E5  
Phone: 800-643-5381  
905-707-1171  
Fax: 905-707-0177  
[www.miele.ca](http://www.miele.ca)  
[info@miele.ca](mailto:info@miele.ca) (general enquiries)  
[professional@miele.ca](mailto:professional@miele.ca) (commercial enquiries)

**Mielecare National Service**

Phone: 800-565-6435  
905-850-7456  
Fax: 905-850-6651  
[service@miele.ca](mailto:service@miele.ca) (Tech. Service)



## Free Manuals Download Website

<http://myh66.com>

<http://usermanuals.us>

<http://www.somanuals.com>

<http://www.4manuals.cc>

<http://www.manual-lib.com>

<http://www.404manual.com>

<http://www.luxmanual.com>

<http://aubethermostatmanual.com>

Golf course search by state

<http://golfingnear.com>

Email search by domain

<http://emailbydomain.com>

Auto manuals search

<http://auto.somanuals.com>

TV manuals search

<http://tv.somanuals.com>