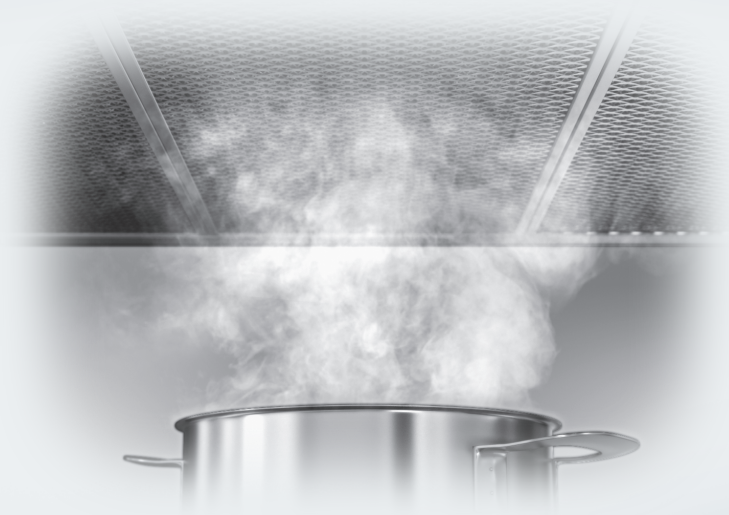


# Operating and Installation Instructions Ventilation Hood



To prevent accidents and damage to the appliance, you **must** read these instructions before installing the appliance and using it for the first time.

# Contents

---

<b>IMPORTANT SAFETY INSTRUCTIONS</b> .....	4
<b>Caring for the environment</b> .....	13
<b>Description of functions</b> .....	14
Con@ctivity 2.0 function .....	15
<b>Guide to the appliance</b> .....	16
<b>Operation (Automatic mode)</b> .....	18
Cooking with Con@ctivity 2.0 (Automatic mode).....	18
Temporarily exiting Automatic mode .....	20
Resuming Automatic mode .....	20
<b>Operation (Manual mode)</b> .....	21
Cooking without Con@ctivity 2.0 (Manual mode).....	21
Turning on the fan .....	21
Selecting the power level.....	21
Selecting the delayed shut down time.....	21
Turning off the fan .....	21
Turning overhead lighting on/off .....	22
Power management .....	22
<b>Operation (Automatic and Manual modes)</b> .....	23
Filter saturation indicator .....	23
Adjusting the filter saturation indicator for the grease filter .....	23
Activating/changing the OdorFree Charcoal Filter operating hours counter ....	24
Checking the filter saturation indicator .....	24
Sensor button signal tone.....	25
<b>Cleaning and care</b> .....	26
Stainless steel housing .....	26
Special instructions for glass surfaces .....	27
Grease filters .....	27
OdorFree Charcoal Filter.....	29
Resetting the operating hours counter for the OdorFree Charcoal Filter.....	30
Disposing of the OdorFree Charcoal Filter.....	30
<b>Installation</b> .....	31
Before installation .....	31
Installation parts.....	31
Appliance dimensions.....	32
Distance between cooktop and ventilation hood (S) .....	33
Installation recommendations.....	34
Structural support .....	34

# Contents

---

Removing the protective film .....	34
<b>Exhaust duct</b> .....	46
Condensate trap .....	47
<b>Electrical connection</b> .....	48
Grounding Instructions .....	48
<b>Activating Con@ctivity 2.0</b> .....	49
Installation of the Con@ctivity 2.0 stick .....	49
Activating the Con@ctivity 2.0 function .....	49
Activating the ventilation hood .....	49
Activating the cooktop.....	50
Activation failed .....	50
Deactivating Con@ctivity 2.0 .....	50
<b>Service and warranty</b> .....	51
Location of the data plate .....	51
<b>Technical data</b> .....	52

# IMPORTANT SAFETY INSTRUCTIONS

## READ AND SAVE THESE INSTRUCTIONS

This appliance complies with current safety requirements. Improper use of the appliance can lead to personal injury and material damage.

Read all instructions before installing or using the appliance for the first time. Only use the appliance for its intended purpose.

Keep these operating instructions in a safe place and pass them on to any future user.

## Use

- ▶ **CAUTION:** For General Ventilating Use Only. Do Not Use To Exhaust Hazardous Or Explosive Materials And Vapors.
- ▶ This appliance is intended for residential use only. Use only as described in these operating instructions.
- ▶ This ventilation hood is designed for domestic use and for use in similar residential environments.
- ▶ This ventilation hood is not intended for outdoor use.
- ▶ It must only be used to extract and clean vapors produced during cooking. Any other use occurs at the owner's own risk.
- ▶ This appliance is suitable for installation above gas or electric cooking surfaces.
- ▶ Persons who lack physical, sensory or mental abilities, or experience with the appliance should not use it without supervision or instruction by a responsible person.

# IMPORTANT SAFETY INSTRUCTIONS

---

## Children

- ▶ As with any appliance, close supervision is necessary when used by children.
- ▶ Please supervise children in the vicinity of the hood and do not let them play with it.
- ▶ Danger of suffocation! Ensure that any plastic wrappings, bags, etc. are disposed of safely and kept out of the reach of children.

## Technical safety

- ▶ **WARNING: TO REDUCE THE RISK OF FIRE, ELECTRIC SHOCK, OR INJURY TO PERSONS, OBSERVE THE FOLLOWING:**
  - Use this appliance only in the manner intended by the manufacturer. If you have questions, contact Miele.
  - Before servicing or cleaning the appliance, switch power off at the service panel and lock the service disconnecting means to prevent power from being switched on accidentally. If the service disconnecting means cannot be locked, securely fasten a prominent warning device, such as a tag, to the service panel.
- ▶ Installation, repair and maintenance work should be performed by a Miele authorized service technician in accordance with national and local safety regulations and the provided installation instructions. Contact Miele's Technical Service Department for examination, repair or adjustment. Repairs and other work by unauthorized persons could be dangerous and may void the warranty.
- ▶ A damaged ventilation hood oven can be dangerous. Always check for visible signs of damage. Never use a damaged ventilation hood.

## IMPORTANT SAFETY INSTRUCTIONS

---

- ▶ Be certain your appliance is properly installed and grounded by a qualified technician. To guarantee the electrical safety of this appliance, continuity must exist between the appliance and an effective grounding system. It is imperative that this basic safety requirement be met. If there is any doubt, have the electrical system of the house checked by a qualified electrician.
  - ▶ To avoid damaging the ventilation hood, make sure that the connection data (voltage and frequency) on the data plate correspond to the building's power supply before connecting the appliance. When in doubt, consult a qualified electrician.
  - ▶ Do not use a power bar or extension cord to connect the ventilation hood to electricity. These are a fire hazard and do not guarantee the required level of appliance safety.
  - ▶ To ensure safe operation, only use the ventilation hood after it has been properly installed.
  - ▶ This ventilation hood may not be used in non-stationary locations (e.g. on a ship).
  - ▶ Only open the housing as described in the enclosed "Installation diagram" and in the "Cleaning and care" section of this manual. Under no circumstances should any other parts of the housing be opened.
- Tampering with electrical connections or components and mechanical parts is highly dangerous to the user and can cause operation faults.

# IMPORTANT SAFETY INSTRUCTIONS

---

▶ Defective components should be replaced by Miele original parts only. Only with these parts can the manufacturer guarantee the safety of the appliance.

▶ During installation, maintenance, and repair work, the ventilation hood must be disconnected from the electrical supply. It is only completely isolated from the electricity supply if one of the following applies:

- The circuit breakers on the electrical service panel are tripped.
- The screw-type fuses on the electrical service panel have been removed.
- The power cable (if present) has been unplugged from the socket (pull the plug not the cord).

## Proper use

▶ **WARNING: TO REDUCE THE RISK OF A COOKTOP GREASE FIRE:**

- a) Never leave surface units unattended at high settings. Boil-overs cause smoking and greasy spillovers may ignite. Heat oils slowly on low or medium settings.
- b) Always turn the hood on when cooking at a high heat.
- c) Clean the ventilation hood frequently. Grease should not be allowed to accumulate on the fan or filter.
- d) Use the proper pan size. Always use cookware appropriate for the size of the cooking area.

▶ Never use an open flame beneath the ventilation hood.

To avoid the risk of fire, do not flambé or grill over an open flame. When turned on, the ventilation hood will draw any flames into the filter. Fat deposits may ignite.

## IMPORTANT SAFETY INSTRUCTIONS

---

▶ **WARNING: TO REDUCE THE RISK OF INJURY TO PERSONS IN THE EVENT OF A COOKTOP GREASE FIRE, OBSERVE THE FOLLOWING\*:**

- a) **SMOTHER FLAMES** with a close fitting lid, cookie sheet, or metal tray then turn off the burner. **BE CAREFUL TO PREVENT BURNS.** If the flames do not go out immediately, **EVACUATE AND CALL THE FIRE DEPARTMENT.**
- b) **NEVER PICK UP A FLAMING PAN** - You may be burned.
- c) **DO NOT USE WATER**, including wet dishcloths or towels - a violent steam explosion will result.
- d) Use a fire extinguisher **ONLY** if:
  - 1) You have a class ABC extinguisher, and you know how to operate it.
  - 2) The fire is small and contained in the area where it started.
  - 3) The fire department is being called.
  - 4) You can fight the fire with your back to an exit.

\*Based on "Kitchen Firesafety Tips" published by NFPA.

▶ The ventilation hood may become damaged if exposed to excessive heat from a gas cooktop.

- When using the ventilation hood over a gas cooktop, ensure that any burners in use are always covered by cookware. Turn burners off when removing the cookware, even if doing so for just a short time.
- Select cookware that is suitable for the size of the burner.
- Adjust the flame so that it never extends up the sides of the cookware.
- Avoid overheating the cookware (e.g., when cooking with a wok).

▶ Always turn the ventilation hood on whenever a burner is in use to prevent damage from condensation.



## IMPORTANT SAFETY INSTRUCTIONS

---

▶ Overheated oils and fats can ignite and set the ventilation hood on fire.

When cooking with oils or fats, do not leave pots, pans or fryers unattended. Never leave an electric grill unattended when grilling.

▶ Fat and debris deposits impair the proper functioning of the ventilation hood.

To ensure that cooking vapors are properly cleaned, never use the ventilation hood without the grease filters in place.

▶ A filter containing too much grease is a fire hazard!  
The filters should be cleaned or replaced at regular intervals.

▶ Please note that the heat rising from the stovetop during cooking can cause the ventilation hood to become very hot.  
Do not touch the housing or the grease filters until the ventilation hood has cooled down.

# IMPORTANT SAFETY INSTRUCTIONS

---

## Proper installation

- ▶ **WARNING: TO REDUCE THE RISK OF FIRE, ELECTRIC SHOCK, OR INJURY TO PERSONS, OBSERVE THE FOLLOWING:**
- a) Installation work and electrical wiring must be done by qualified person(s) in accordance with all applicable codes and standards, including fire-rated construction.
  - b) Sufficient air is needed for combustion and exhausting of gases through the flue (chimney of fuel burning equipment to prevent back drafting. Follow the heating equipment manufacturer's guideline and safety standards such as those published by the National Fire Protection Association (NFPA) and the American Society for Heating, Refrigeration and Air Conditioning Engineers (ASHRAE), and the local code authorities.
  - c) When cutting or drilling into the wall or ceiling, do not damage electrical wiring and other hidden utilities.
  - d) Ducted hoods must always be vented to the outdoors.
  - e) Do not use this hood with any solid-state speed control device.
- ▶ To determine whether a ventilation hood may be operated above your cooking appliance, please refer to the information provided by the appliance's manufacturer.
- ▶ Safety regulations prohibit the installation of a ventilation hood above solid fuel stoves.
- ▶ Insufficient distance between the cooking appliance and the ventilation hood can result in damage to the hood. The minimum safety distances between the appliance and the bottom of the ventilation hood specified in the "Installation" section must be maintained, unless the appliance's manufacturer has indicated that a greater distance is required. If more than one cooking appliance is used beneath the ventilation hood, and if different minimum safety distances apply for these appliances, you should use the greater distance.

## IMPORTANT SAFETY INSTRUCTIONS

---

- ▶ Be sure to observe the information contained in the "Installation" section when mounting the ventilation hood.
- ▶ Metal parts can have sharp edges which may cause injury. Wear gloves to protect your hands from being cut.
- ▶ When installing the exhaust duct, only use pipes or tubes made of non-flammable material. These can be obtained from your Miele dealer or from Miele Technical Service.
- ▶ Exhaust air should not be vented into a chimney or vent flue which is otherwise in use and should not be channeled into ducting which ventilates rooms with fuel-burning installations.
- ▶ If exhaust air is to be extracted into a chimney or vent flue no longer used for other purposes, be sure to comply with all applicable regulations.
- ▶ **WARNING: TO REDUCE THE RISK OF FIRE USE ONLY METAL DUCTWORK.**

# IMPORTANT SAFETY INSTRUCTIONS

---

## Cleaning and care

- ▶ Never use a steam cleaner to clean the ventilation hood. The steam can reach the electrical components and cause a short circuit.

## Accessories

- ▶ Use only genuine original Miele parts. If parts or accessories from other manufacturers are used, the warranty will become void.

## FCC Declaration of Conformity

- ▶ These devices comply with FCC Rules Part 15. This equipment has been tested and found to be in compliance with the limits for a Class B digital device, pursuant to Part 15 of the FCC Rules of Operation and is subject to the following conditions:  
These devices may not cause harmful interference.  
These devices must accept any interference received, including interference that may cause undesired operation.

## FCC Radiation Exposure Statement

- ▶ This equipment complies with FCC radiation exposure limits set forth for an uncontrolled environment. This equipment should be installed and operated with minimum distance 8" (20 cm) between the radiator and your body.

## Industry Canada Statement

- ▶ This digital apparatus does not exceed the Class B limits for Radio Noise Emissions from digital apparatus set out in the Radio Interference Regulations of the Canadian Department of Communications.

Complies with Canadian ICES-003 Class B specifications.

### **Disposal of the packing material**

The cardboard box and packing materials protect the appliance during shipping. They have been designed to be biodegradable and recyclable.

Ensure that any plastic wrappings, bags, etc. are disposed of safely and kept out of the reach of children. Danger of suffocation!

### **Disposal of your old appliance**

Do not dispose of this appliance with your household waste.

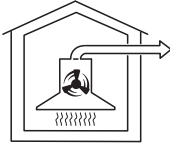
Old appliances may contain materials that can be recycled. Please contact your local recycling authority about the possibility of recycling these materials.

Before discarding an old appliance ensure that it presents no danger to children while being stored for disposal. Unplug it from the outlet, cut off its power cord and remove any doors to prevent hazards.

# Description of functions

The following functions are available on your ventilation hood, depending on the model:

## Vented mode



da00494a

The air is drawn in and cleaned by the grease filters and directed outside.

## Non-return flap

A non-return flap in the ducting prevents the exchange of inside and outside air from occurring when the ventilation hood is not in use.

The flap is closed when the ventilation hood is turned off.

When the ventilation hood is turned on, the non-return flap opens so that the exhaust air can be transported outside without any obstruction.

A non-return flap has been provided with the hood in case your ducting does not have one. It is inserted into the outlet duct collar of the fan.

## Recirculation mode

The recirculation mode requires a recirculation kit and OdorFree Charcoal Filter (available as optional accessories, see "Technical Data" for more information)



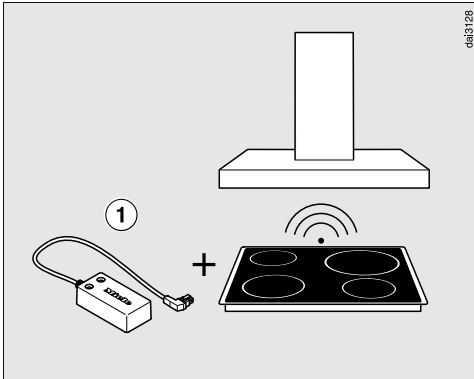
da00494b

The air is drawn in and first cleaned by the grease filters and then by an Odor-Free Charcoal Filter. The cleaned air is then recirculated back into the kitchen.

## Con@ctivity 2.0 function

### Automatic control

This hood features a communication function which enables the automatic control of the hood based on the operational status of a Miele cooktop.



The cooktop transmits information about its operational status to the hood using a radio signal.

- When a burner is turned on, the cooktop lighting on the hood turns on automatically. After a brief delay, the ventilation hood fan also comes on.
- During cooking, the hood automatically selects the fan level based on the number of burners in operation and their power levels.
- Once you have turned off the cooktop, the fan and the lighting will turn off automatically after a predetermined delay.

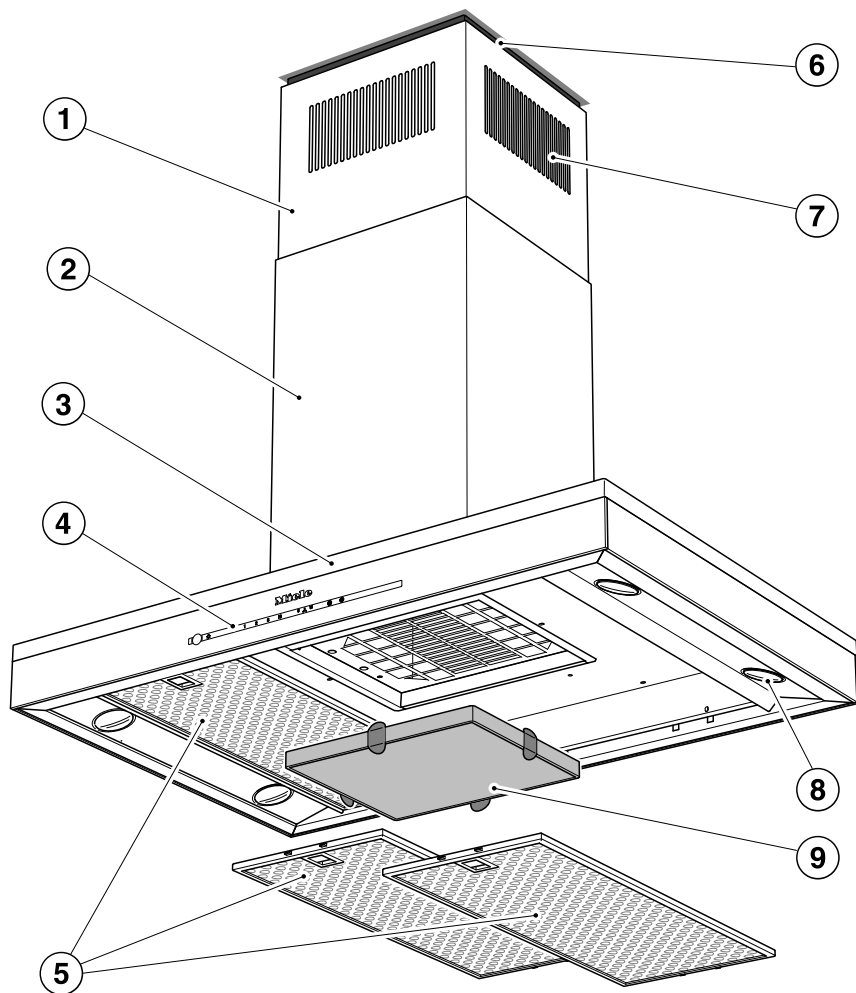
Detailed information about this function can be found under "Operation."

To enable the communication function, the cooktop must be equipped with the corresponding Con@ctivity 2.0 stick ①.

Please refer to the installation instructions for the Con@ctivity 2.0 stick to determine whether connection to your cooktop is possible.

There must be radio contact between the cooktop and the hood for you to be able to use the Con@ctivity 2.0 function (see "Activating Con@ctivity 2.0").

# Guide to the appliance



dal3144



- ① Chimney extension
- ② Chimney
- ③ Canopy
- ④ Control panel  
The symbols act as sensor-controlled buttons. To select a function, tap the button. An audible tone sounds briefly to confirm selection.
- ⑤ Grease filter
- ⑥ Spacer frame  
The spacer frame creates a shadow gap between the chimney and the ceiling. The hood can be installed with or without the spacer frame.
- ⑦ Recirculation vent  
(only for recirculation mode)
- ⑧ Overhead lighting
- ⑨ OdorFree Charcoal Filter  
Optional accessory for recirculation mode
- ⑩ Turns the fan on and off
- ⑪ Overhead light button
- ⑫ Fan power selection
- ⑬ Delayed shut-down button
- ⑭ Filter saturation indicator for the grease filters
- ⑮ Filter saturation indicator for the OdorFree Charcoal Filter

# Operation (Automatic mode)

When Con@ctivity 2.0 is active, the hood always operates in Automatic mode (see "Activating Con@ctivity 2.0").

See "Cooking without Con@ctivity 2.0" for information on manually operating the hood.

## Cooking with Con@ctivity 2.0 (Automatic mode)

- Turn on a burner to the desired power setting.

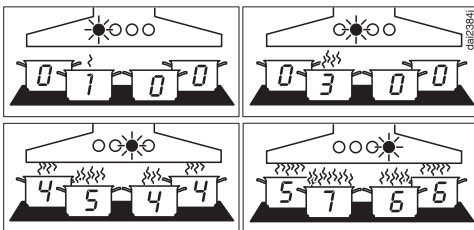
The hood lighting will come on.

After a few seconds, the fan will come on, briefly operating at power level **2** before immediately switching to level **1**.

The hood selects the fan level automatically during cooking.

This level is determined by the total output of the cooktop, i.e. the number of burners in operation and the power settings selected.

- If you select a higher power setting on the cooktop or switch on multiple burners, the hood will switch to a higher fan level.
- If you select a lower power setting on the cooktop or turn off a burner, the hood will accordingly switch to a lower fan level.



Examples for fan levels **1** to **4**

## Reaction time

Changing the power setting on the cooktop does not lead to an immediate increase or decrease in cooking vapors. For this reason, the hood reacts with a slight delay.

Delays can also result from the fact that the cooktop transmits the information to the hood in intervals.

The reaction time can vary from a few seconds to a couple of minutes.

## Cooking process

- If, for example, you switch on a burner at the highest power setting to heat cookware in preparation for searing and then reduce the power level after approx. 60 to 90 seconds\*, a cooking process is recognized.

The hood turns on automatically and, after the cooktop power level has been reduced, switches back to fan level 3, where it remains for approx. 5 minutes.

After this, the fan level is once again determined by the Con@ctivity function.

- You can also manually select a different fan level before then.

## Turning off

- Turn off all burners.

Over the next few minutes, the ventilation hood fan setting will decrease one level at a time until the hood eventually turns off.

This helps to neutralize any lingering vapors and odors in the air.

- From the intensive setting IS, the fan immediately switches to level 3.
- If the fan is operating at level 3, it will switch to level 2 after approx. 1 minute.
- From level 2, the fan switches to level 1 after 2 minutes.
- After 2 minutes at level 1, the fan automatically turns off.
- After another 30 seconds, the lighting turns off.


The cooking process is now finished.

# Operation (Automatic mode)

---

## Temporarily exiting Automatic mode

To temporarily exit the Automatic mode when cooking:

- Manually select a different fan level, or
- Manually turn the hood off, or
- Activate the Delayed shut down function  on the ventilation hood. The fan turns off after the delay time selected, and the lighting will remain on.

The ventilation hood functions can now be operated manually (see "Cooking without Con@ctivity 2.0").

## Resuming Automatic mode

The ventilation hood resumes Automatic mode:

- If the ventilation hood has not been used for a period of approx. 5 minutes after the manual selection of a fan level, or
- If the manually selected fan level once again matches the automatic setting, or
- If the ventilation hood fan and the cooktop have been turned off for at least 30 seconds. Automatic mode will resume the next time the cooktop is turned on.
- If you wish to manually operate the ventilation hood for a complete cooking process, turn on the ventilation hood fan **before** turning on the cooktop. If the ventilation hood and the cooktop have been turned off for at least 30 seconds after you have finished cooking, Automatic mode will resume the next time the cooktop is turned on.

## Cooking without Con@ctivity 2.0 (Manual mode)

The hood can be operated manually if:

- The Con@ctivity 2.0 function is not activated.
- You have temporarily deactivated the Con@ctivity 2.0 function (see "Temporarily exiting Automatic mode").

## Turning on the fan

- Tap the On/Off button ①.

The fan switches to level **2**.

## Selecting the power level

Power levels **1** to **3** can be used for light to heavy cooking vapors and odors.

For strong vapors and odors that are temporarily produced when cooking, e.g., during searing, select the **IS** intensive level.

- Select the power level required by tapping a button from **1** to **IS**.


## Reducing power of the intensive setting


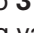

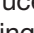
If power management is activated (default setting), the fan automatically switches back to level **3** after 5 minutes.

## Selecting the delayed shut down time

It is a good idea to let the fan run for a few more minutes after cooking in order to neutralize any lingering vapors and odors in the air.

With the delayed shut down function, it is possible to have the fan automatically shut off after a predetermined period of time.

- After you have finished cooking, tap the delayed shut down button .

- Once: fan switches off after 5 minutes (**5**  lights up).
- Twice: fan switches off after 15 minutes (**15**  lights up).
- If you press the delayed shut down button  again, the fan remains turned on (**5**  **15** goes out).

## Turning off the fan

- Press the On/Off button ① to turn the fan off.

# Operation (Manual mode)

---

## Turning overhead lighting on/off

The overhead lighting can be turned on and off separately from the fan.




- Tap the lighting button .

## Power management

The ventilation hood features a power management system for switching off the lighting and reducing the fan power setting automatically.

- If the intensive setting is selected, the fan automatically switches to level 3 after 5 minutes.
- If the fan is set to level 3, 2 or 1, it switches to the next-highest fan setting after 2 hours and then in 30-minute intervals until the fan eventually switches off.
- If the cooktop lighting is on, it automatically turns off after 12 hours.

## Turning power management on/off

- Turn off the fan and the lighting.
- Press the delayed shut down button  for approx. 10 seconds until **1** lights up in the fan power display.
- Next, tap the following buttons in succession:
  - The lighting button ,
  - Followed by the **1** button and then
  - The lighting button  again.

If power management is turned on, the **1** and **IS** indicators will be continuously lit.


If it is switched off, **1** and **IS** will flash.

- Tap **1** to turn off the power management.

The **1** and **IS** indicators will flash.

- Touch **IS** to turn it on.

The **1** and **IS** indicators are constantly lit.

- Confirm the setting by pressing the delayed shut down button .



All the indicator lights will go out.

If the setting is not confirmed within 4 minutes, the hood automatically reverts to the old setting.

# Operation (Automatic and Manual modes)

## Filter saturation indicator




The number of hours the hood has been in operation is stored in appliance memory.


The filter saturation indicators show when the filters need to be cleaned or changed by lighting up the grease filter symbol  or OdorFree Charcoal Filter symbol . Additional information on cleaning and changing the filters and resetting the filter saturation counters can be found under "Cleaning and care."

## Adjusting the filter saturation indicator for the grease filter

You can set the filter saturation indicator to suit your cooking habits.


The factory default setting is a cleaning interval of 30 hours.

- Select a shorter time (20 hours) if you often fry foods.
- We also recommend a shorter cleaning interval if you only cook occasionally. This will prevent grease buildup from hardening and making cleaning more difficult.
- Select a longer cleaning interval of 40 or 50 hours if you use very little fat when cooking.
- Press the On/Off button  to turn off the fan.
- Tap the delayed shut down button  and the grease filter button  at the same time.

The grease filter symbol  and one of the fan power level indicators will flash.

The indicators **1** to **IS** show the current time setting:

Indicator <b>1</b> .....	20 hours
Indicator <b>2</b> .....	30 hours
Indicator <b>3</b> .....	40 hours
Indicator <b>IS</b> .....	50 hours

- Tap the relevant button to select the time required.
- Confirm your choice by touching the grease filter button .

All the indicator lights will go out.




If the setting is not confirmed within 4 minutes, the hood automatically reverts to the old setting.


## Operation (Automatic and Manual modes)

### Activating/changing the OdorFree Charcoal Filter operating hours counter

The OdorFree Charcoal Filter is required for extraction mode.


The operating hours counter for the OdorFree Charcoal Filter requires one-time activation and must be set to match your cooking habits.

- Press the On/Off button  to turn the fan off.
- Tap the delayed shut-down button  and the OdorFree Charcoal Filter button  at the same time.

The OdorFree Charcoal Filter symbol  and one of the fan setting indicators will flash.

The indicators **1** to **IS** show the current time setting:

Indicator **1** ..... 120 hours  
Indicator **2**..... 180 hours  
Indicator **3** ..... 240 hours  
Indicator **IS**..... deactivated




- Tap the relevant button to select the time required.
- Confirm your choice by tapping the OdorFree Charcoal Filter button .

All the indicator lights go out.

If the setting is not confirmed within 4 minutes, the old setting is retained.

### Checking the filter saturation indicator

Before the set operating time has run out, you can check what percentage of the time has elapsed.

- Press the On/Off button  to turn the fan on.
- Press and hold the grease filter button  or the OdorFree Charcoal Filter button .

One or more of the power level indicators will flash.

The number of flashing indicators shows the elapsed operating hours as a percentage.

Indicator **1** ..... 25%  
Indicators **1** and **2** ..... 50%  
Indicators **1** to **3** ..... 75%  
Indicators **1** to **IS** ..... 100%

The elapsed operating hours remain stored in the memory when the hood is turned off or if power to the appliance is lost.



## Sensor button signal tone

Whenever you select a feature with the sensor buttons, you will hear a brief signal tone.

You can deactivate this signal tone if you prefer.

- Press the On/Off button ① to turn the fan off.
- Tap the **IS** and the grease filter ② buttons at the same time for approx. 5 seconds until a short signal tone is heard.

The signal tone is now turned off for all functions.

- To reactivate the signal tone, follow the same steps.

If the hood is disconnected from the power supply, or after a power interruption, the beep is automatically re-activated, regardless of the previous settings.

# Cleaning and care

**WARNING: TO REDUCE THE RISK OF FIRE, ELECTRIC SHOCK, OR INJURY TO PERSONS, OBSERVE THE FOLLOWING:**

- Before cleaning or servicing the hood, disconnect it from the power supply, see "IMPORTANT SAFETY INSTRUCTIONS".

## Stainless steel housing

### General

The surfaces and control buttons are susceptible to scratching and chipping. Observe the following cleaning instructions.

- Clean all surfaces and control buttons using warm water and liquid dish soap only, applying the mixture with a sponge cloth.

Make sure that no water gets into the interior of the hood. Only use a damp cloth to clean the hood, especially in the control panel area.

- After cleaning, dry the surfaces with a soft cloth.

Avoid the following:

- Cleaners containing soda, acid or chloride, or cleaners containing solvents
- Abrasive cleaners such as scouring powder, scouring liquid, abrasive sponges such as pot scourers, or used sponges that still contain residues from abrasive cleaners

### Special instructions for stainless steel surfaces

(does not apply to control buttons)

- Stainless steel surfaces can also be cleaned using a non-abrasive stainless steel cleaner, available from Miele.
- To prevent the surfaces from quickly becoming dirty again, we recommend treating them with a stainless steel care conditioner. Apply sparingly over the entire area using a soft cloth.

### Special instructions for RAL color finish housing

(special order)

- Observe the general cleaning instructions contained in this chapter.

Minor scratches on the surface are inevitable when cleaning the housing. Depending on the lighting in the kitchen, this may negatively affect the appliance's appearance.

## Special instructions for control buttons

Do not leave dirt and debris on the buttons for any length of time. Otherwise they may become discolored or damaged. Remove any dirt or debris immediately.

- Observe the general cleaning instructions contained in this chapter.


Do not use a stainless steel cleaner to clean the control buttons.

## Special instructions for glass surfaces

- Glass surfaces can be cleaned using a commercial glass cleaner.


## Grease filters

The reusable metal grease filters in the appliance remove the solid particles contained in kitchen vapors (fat, dust, etc.), thereby preventing the ventilation hood from becoming dirty.

 A dirty filter is a fire hazard!

## Cleaning intervals

Over longer periods of time, fat buildup on the grease filter hardens and makes cleaning more difficult. Therefore, we recommend cleaning the grease filters once every 3-4 weeks.

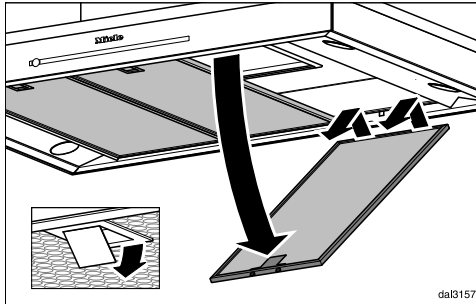
By illuminating the grease filter symbol, the filter saturation counter  reminds you to regularly clean the grease filters.

- You can adjust the interval of the filter saturation counter to match your cooking habits (see "Operation").

## Removing the grease filters

When handling a grease filter, be careful not to drop it. This can result in damage to the filter and to the cooktop. Make sure you hold the filter securely at all times when handling it.

# Cleaning and care



- To remove a grease filter, release the locking clip. Then, open the filter to a 45° angle, unhook it, and remove it from the hood.

## Cleaning the grease filters by hand

- Clean the filters with a soft nylon brush in a mild solution of hot water and dish soap. Do not use undiluted dish soap.

## Unsuitable cleaning agents

Unsuitable cleaners can cause damage to the filter surfaces if used regularly. Do not use any of the following:

- Lime removers
- Abrasive powders or abrasive liquids
- Aggressive all-purpose cleaners and degreaser sprays
- Oven sprays

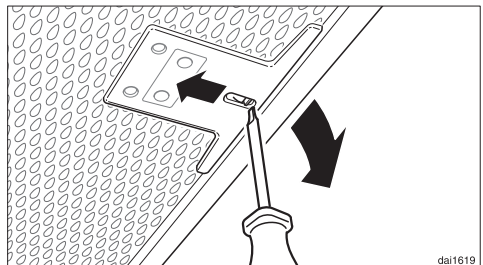
## Cleaning the grease filters in the dishwasher

- Place the filters as upright or inclined as possible in the lower basket. Ensure that the spray arm is not obstructed.
- Use a common household dishwasher detergent.
- Select a program with a wash temperature between 122°F (50°C) and 149°F (65°C). In a Miele dishwasher use the "Normal" program.

Depending on the detergent used, cleaning the filters in a dishwasher may cause the inside filter surfaces to become discolored. However, this will not affect the functioning of the filters in any way.

## After cleaning


- After cleaning, leave the filters on an absorbent surface to dry.
- When removing the filters for cleaning, also clean off any accessible oil or fat buildup from the housing. Doing so will prevent a fire hazard.
- Reinstall the grease filters. When inserting the filters, make sure that the locking clip is facing down.



- If the filters have been installed incorrectly, you can insert a small screwdriver into the slit to disengage the locking clip.


## Resetting the filter saturation indicator for the grease filter

Once cleaning is complete, the filter saturation indicator must be reset.

- While the fan is turned on, press the grease filter button  for approx. 3 seconds, until only the **1** is flashing.

The grease filter symbol  goes out.

When cleaning the grease filters before the full operating time has elapsed:

- Press the grease filter button  for approx. 6 seconds, until only the **1** is flashing.

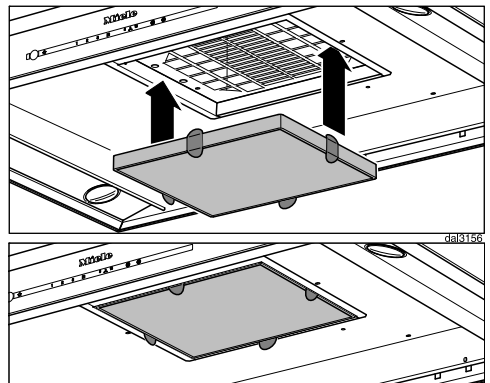
## OdorFree Charcoal Filter

If the hood is equipped for recirculation, an OdorFree Charcoal Filter must be installed in addition to the grease filters. This filter is designed to absorb odor-causing agents and is mounted in the canopy above the grease filters.

OdorFree Charcoal Filters are available from your Miele dealer or from Miele. See "Technical data" for the type and reference number.

## Installing/replacing the OdorFree Charcoal Filter

- To install or replace the OdorFree Charcoal Filter, the grease filters must first be removed as described above.
- Remove the OdorFree Charcoal Filter from its packaging.




- Press the OdorFree Charcoal Filter into the frame.
- Reinstall the grease filters.
- When installing the filter for the first time, activate the filter saturation counter (see "Operation").

# Cleaning and care

---

## When to change the OdorFree Charcoal Filter


- Always replace the OdorFree Charcoal Filter whenever it no longer absorbs kitchen odors effectively. Replace the filter at least once every 6 months.


The OdorFree Charcoal Filter saturation counter  will light up to remind you to change the charcoal filter regularly.

- The OdorFree Charcoal Filter saturation counter requires one-time activation before use (see the "Operation" chapter).


## Resetting the operating hours counter for the OdorFree Charcoal Filter

If the operating hours counter is activated, it must be reset each time the filter is changed.

- Press the OdorFree Charcoal Filter button  for approx. 3 seconds with the ventilation hood switched on until only the indicator light for level **1** is flashing.

The OdorFree Charcoal Filter symbol  will go out.

If you replace the OdorFree Charcoal Filter **before** the full operating time elapses:

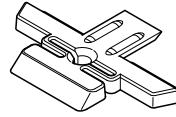
- Press the OdorFree Charcoal Filter button  for approx. 6 seconds until only the indicator light for level **1** is flashing.

## Disposing of the OdorFree Charcoal Filter

- Used OdorFree Charcoal Filters can be disposed of with normal household waste.

## Before installation

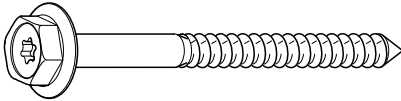
**!** Before installing the appliance, read all of the information contained in this chapter and also in the "IMPORTANT SAFETY INSTRUCTIONS" section.



08571140

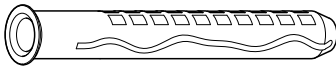
**4 extension piece holders** for aligning and securing the telescopic chimney

## Installation parts



08162250

**4 screws, 6 9/16" x 4 5/16"**  
(7 x 110 mm) and



**4 plugs, 3/8" x 3 1/8" (10 x 80 mm)** for securing the ventilation hood to the ceiling (not for use in USA / CDN).

The screws and plugs are designed for use in solid ceilings only. Use different fasteners for other ceiling construction types. Make sure that the ceiling can support the load.



06462181

**4 screws M3/16" x 5/16"**  
(M4 x 8.5 mm) for securing the extension piece holders.



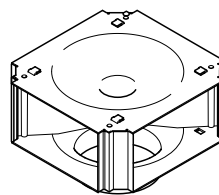
08095672

**14 screws M3/16" x 5/16"**  
(M4 x 8 mm) for securing the spacer frame and securing the hood to the installation frame.



07602740

**1 screw M3/16" x 5/8" (M4 x 16 mm)** for securing the chimney.



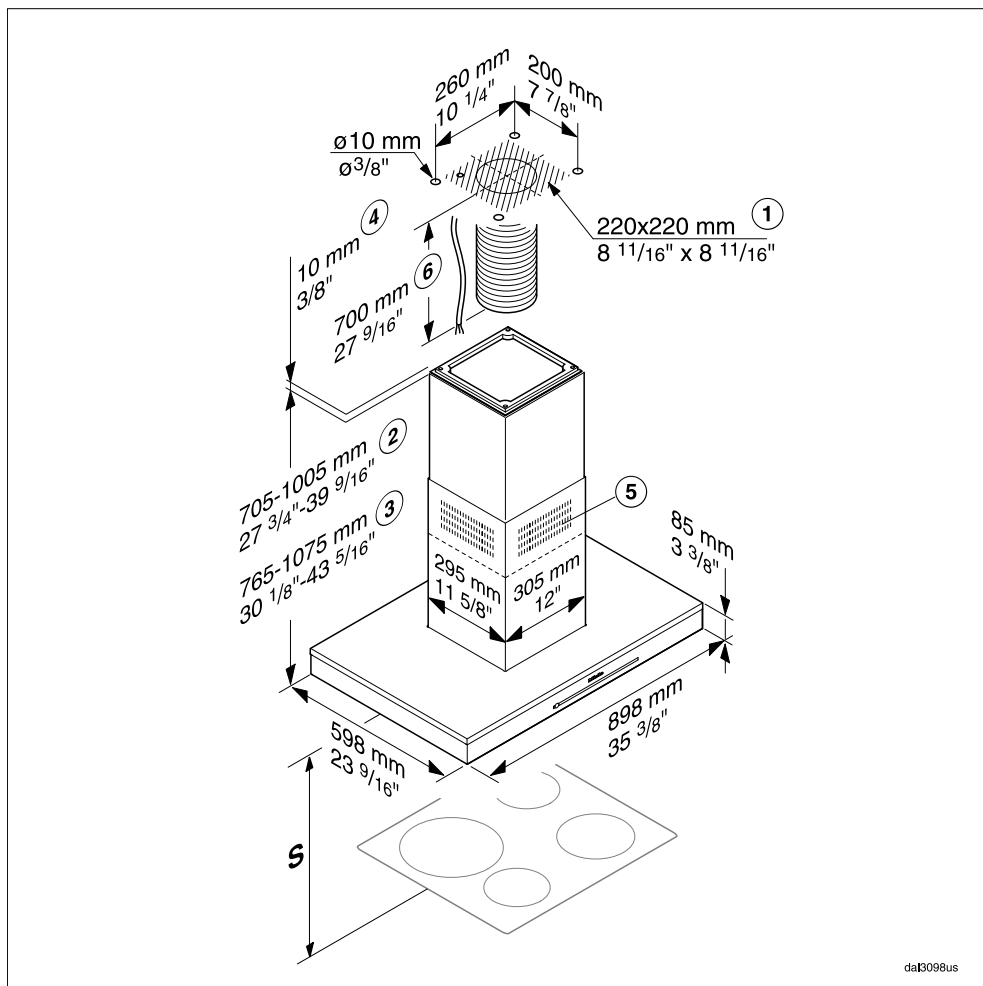
da8149

**DUI 32 recirculation kit for recirculation mode**

(not supplied, available as an optional accessory). The kit includes a directional unit, aluminum hose, and hose clips.

# Installation

## Appliance dimensions



- ① Mounting area for the exhaust ducting and power cable. In recirculation mode, only the power cord is required.
- ② Possible height range for appliance in vented mode
- ③ Possible height range for appliance in recirculation mode
- ④ Alternative installation with spacer frame
- ⑤ Air vent positioned at the top for recirculation



- ⑥ A power cord is required to connect the hood to the socket in the ceiling. With extraction mode flexible ducting is also required.

Exhaust connection  $\varnothing$  6" (150 mm)

## Distance between cooktop and ventilation hood (S)

Provided a larger distance is not given by the manufacturer of the cooktop, follow the minimum safety distances between a cooktop and the bottom of the hood.

Please also observe the information contained in the "IMPORTANT SAFETY INSTRUCTIONS" section.

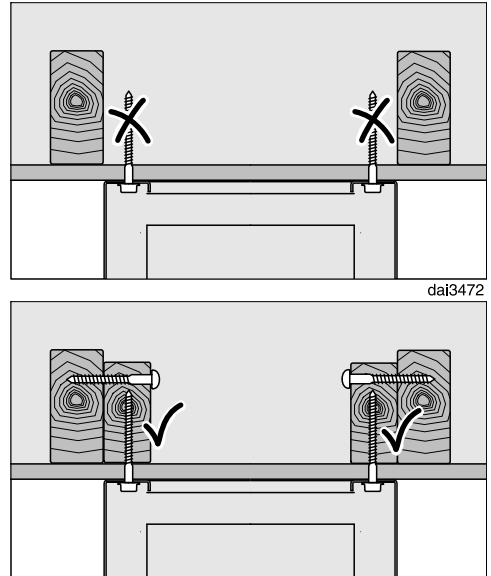
Cooking appliance	Minimum distance S	
	Miele appliance	Non-Miele appliance
Electric/Induction cooktop	24" (610 mm)	
Electric grill, deep fat fryer (electric)	26" (660 mm)	
Multi-burner gas cooktop ≤ 43,000 BTU/hr (12.6 W), no burner > 15,000 BTU/hr (4.5 kW).	26" (660 mm)	30" (760 mm)
Multi-burner gas cooktop ≤ 73,800 BTU/hr (21.6 W), no burner > 16,500 BTU/hr (4.8 kW)	30" (760 mm)	
Multi-burner gas cooktop > 73,800 BTU/hr (21.6 W), or one of the burners > 16,500 BTU/hr (4.8 kW)	Not possible	
Single-burner gas cooktop ≤ 20,500 BTU/hr (6 kW)	26" (660 mm)	30" (760 mm)
Single-burner gas cooktop ≤ 27,600 BTU/hr (8.1 kW)	30" (760 mm)	
Single-burner gas cooktop > 27,600 BTU/hr (8.1 kW)	Not possible	

# Installation

## Installation recommendations

- We also recommend a distance of at least 25 1/2" (650 mm) above electric cooktops to provide more workspace and easier cooking under the hood.
- When selecting an installation height, always take the user height into consideration. Users should have ample space to work comfortably on the cooktop and reach the ventilation hood controls with ease.
- Please note that the greater the distance from the cooktop, the less effective the hood is at drawing in the cooking vapors.
- To achieve optimal vapor extraction, make sure that the hood covers the cooktop. The hood should be positioned centrally over the cooktop, not to the side or rear.
- The cooktop should be no wider than the hood. Preferably, it should be narrower.
- The mounting area must be easily accessible. The ventilation hood should be easy to reach and disassemble in case a service call is necessary. This should be taken into consideration when planning the position of cupboards, shelves, ceilings or decorative elements in the vicinity of the ventilation hood.

## Structural support

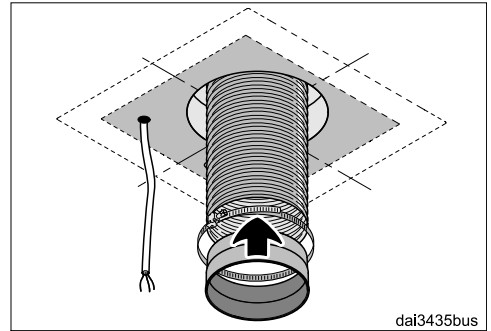
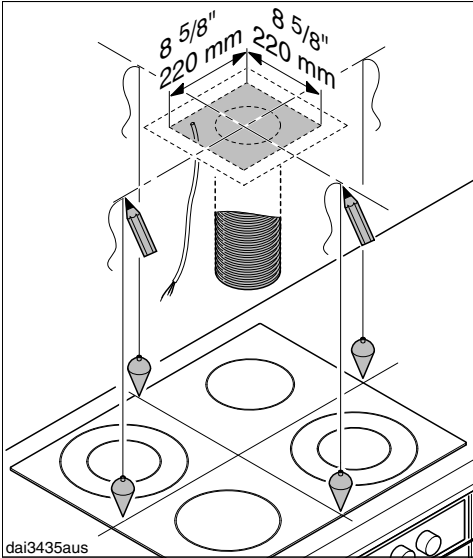


The hood must be attached to rigid structural framing that is supported in its entirety by the ceiling joists, or to the ceiling joists directly. Do not attach the plate directly to the ceiling with anchors, toggle bolts, etc.

## Removing the protective film

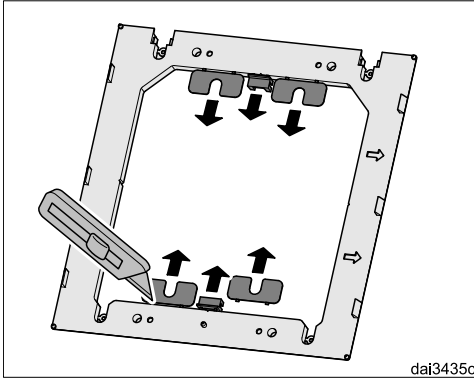
The housing components are covered by a protective film to prevent them from becoming damaged during transport.

- Please remove this film before installing the housing components. It can be peeled off easily without any additional tools.

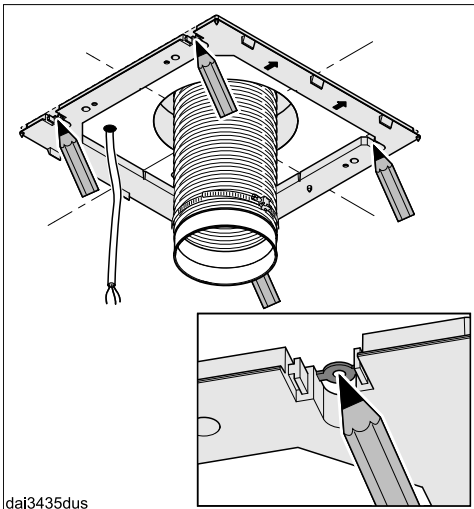


- For vented mode:
  - Place a section of the exhaust ducting in the ceiling and feed it down through the cross-sectional area as illustrated. Exhaust ducting of approx. 27 9/16" (700 mm) length is required between the ceiling and the hood exhaust socket.
  - Secure the exhaust ducting to the exhaust socket, e.g. with a hose clip (available as an optional accessory) on flexible ducting.
- Place the power cord and guide it through the ceiling in the area shown. A power cord approx. 27 9/16" (700 mm) in length is required between the ceiling and the hood connectors.

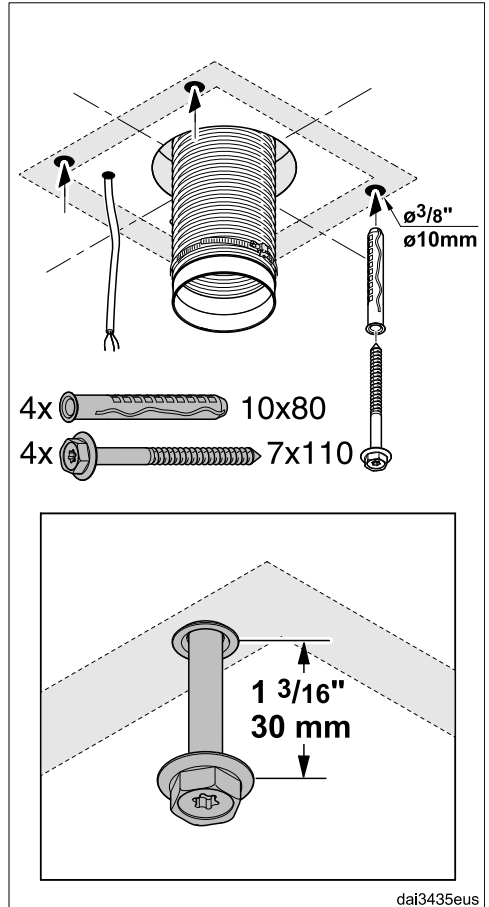
# Installation



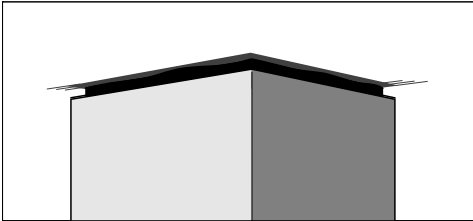
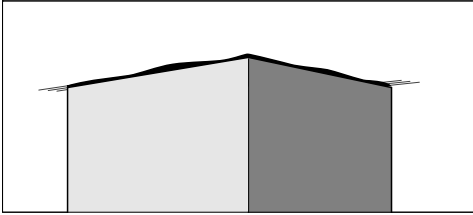
- Use a knife to release the four spacers and the two covers from the spacer frame supplied.



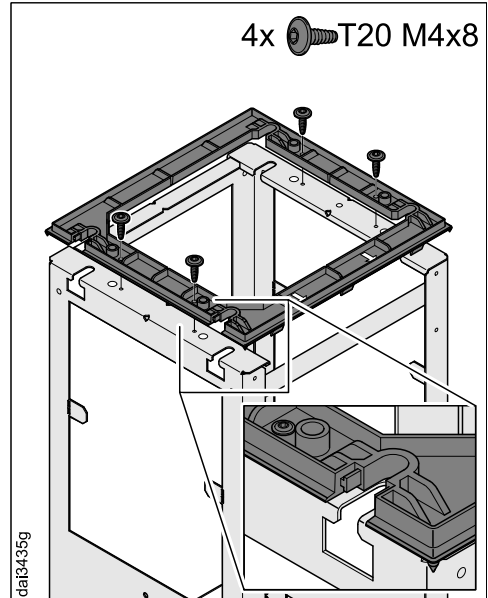
- Use the spacer frame as a drilling template. Place it on the ceiling with the arrows pointing forwards. Using the notches, align the spacer frame on the intersecting lines and make pencil marks for the drill holes.



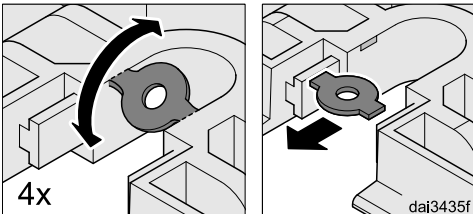
- Drill four holes  $\phi 3/8"$  (10 mm), approx.  $4\ 1/2"$  (115 mm) deep for the plugs supplied.
- Place the four plugs in the holes and screw in the four screws so that they protrude by approx.  $1\ 3/16"$  (30 mm).



The **spacer frame** can be installed between the chimney and the ceiling. This creates a shadow which gives the illusion of a gap between the ceiling and the chimney. This is useful if the ceiling is not level or is uneven. The hood is aligned vertically with the spacers supplied. Visual irregularities between the chimney and the ceiling are then concealed by the shadow.

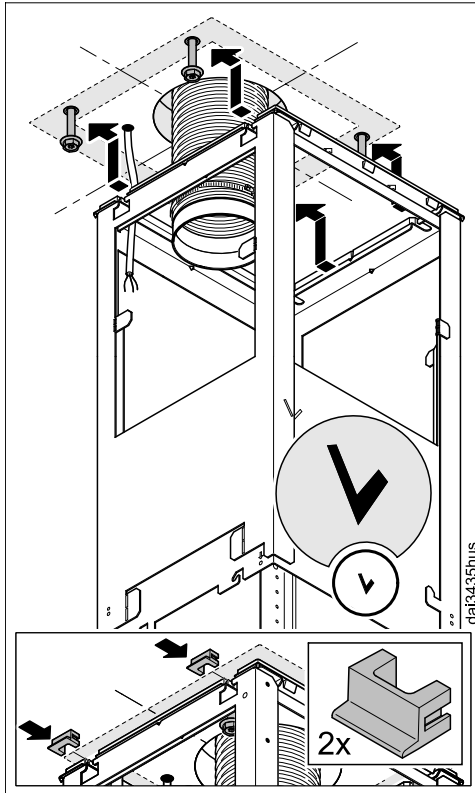


- Mount the spacer frame onto the installation frame.

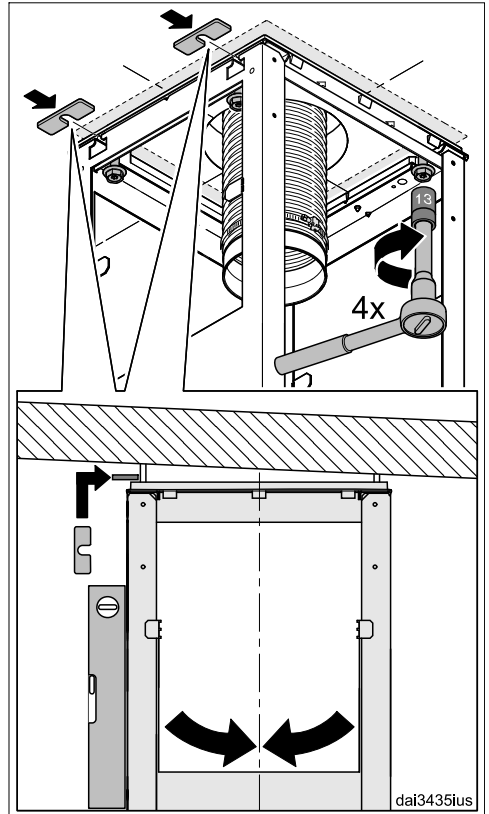


- If you wish to install the hood with the spacer frame, remove the four inserts from the fixing holes.

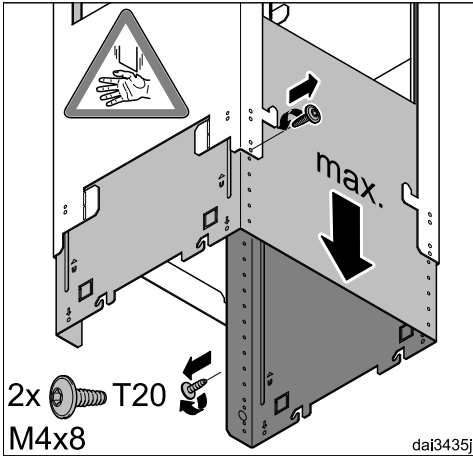
# Installation



- Hang the installation frame on the four screws. The front of the frame is marked with a "V."
- If using the spacer frame, place the two covers into the fixing holes.

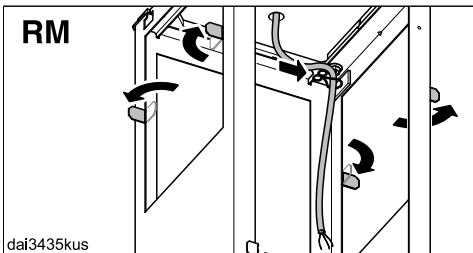


- Align the installation frame and secure it with the screws. The spacers, which were removed from the spacer frame at the start, can be used to align the hood vertically.

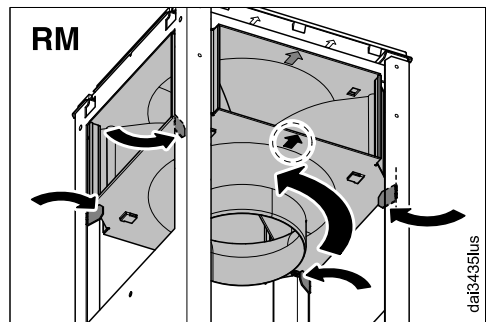
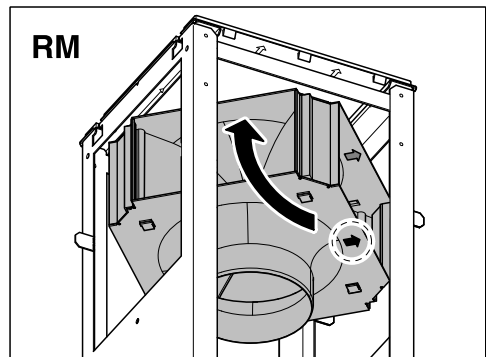
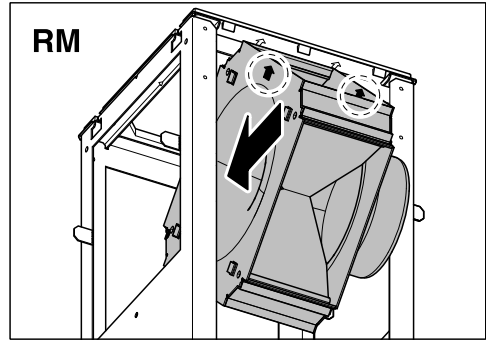


- Holding the installation frame securely, remove the two fixing screws and extend the installation frame to its maximum length.
- Replace the screws.

The directional unit from recirculation kit DUI 32 (optional accessory) is installed for recirculation mode (RM):

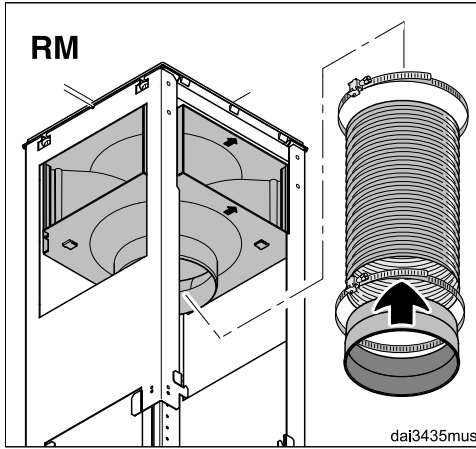


- Bend the four retaining tabs on the installation frame outwards.
- Place the power cord inside the installation frame.

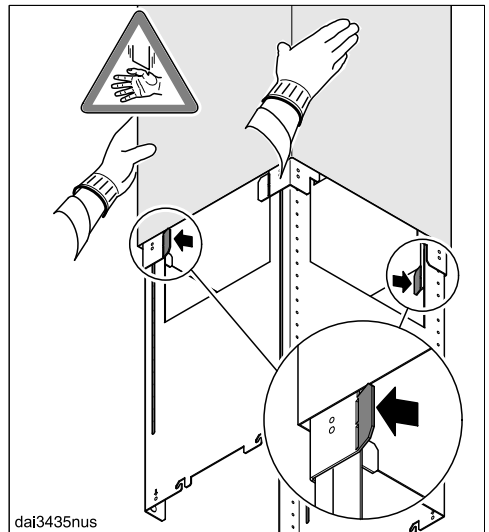
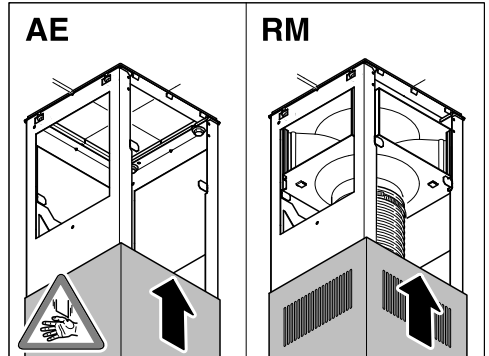


- Fit the directional unit as shown, noting the marking on the front.
- Bend the retaining tabs back and approx. 45° inwards to hold the directional unit in place.

# Installation

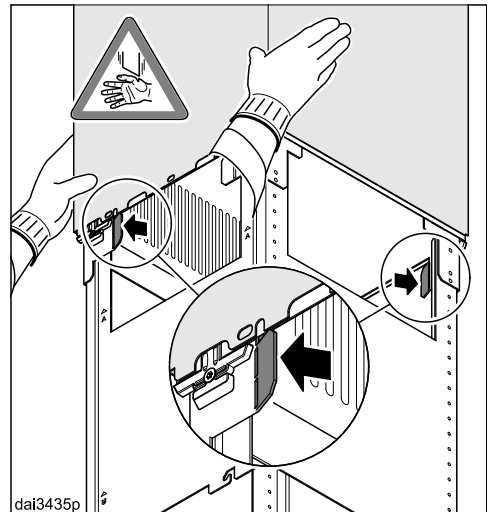
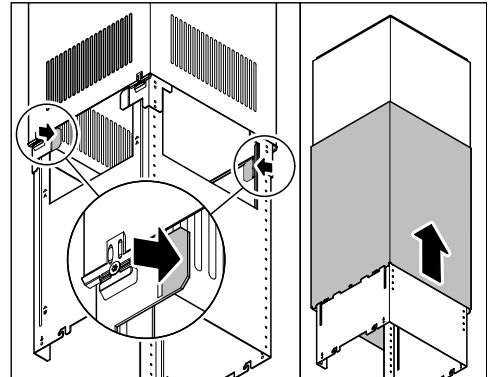
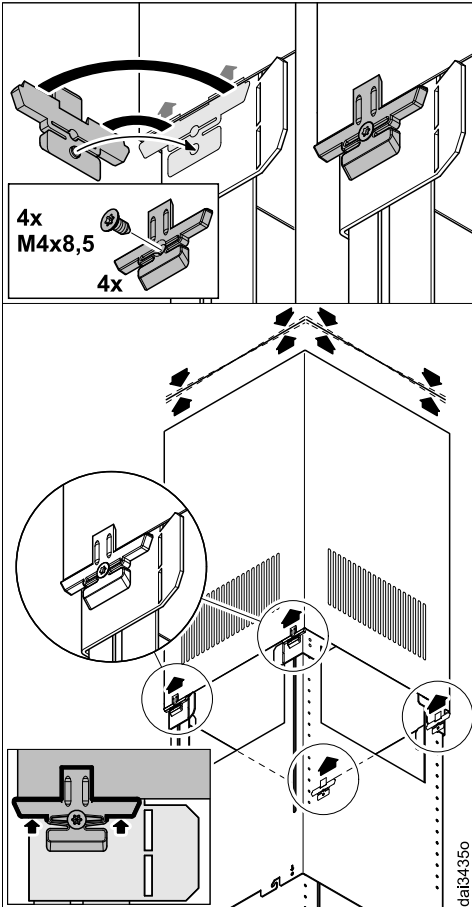


- Secure the exhaust socket to the hose using a hose clip.
- Secure the hose to the directional unit socket using a hose clip.
- Check that the hose is held securely.



- Push the telescopic chimney over the installation frame:
  - with the recirculation grilles at the bottom for vented mode (AE),
  - with the recirculation grilles at the top for recirculation mode (RM).
- Bend the two retaining tabs outwards to prevent the telescopic chimney from slipping down again.





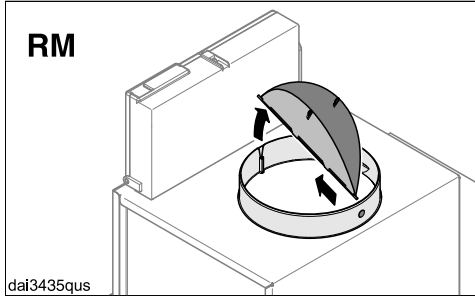
- Fit the four telescopic chimney clamps. When the screws are tightened, the clamps spread out and push the telescopic expansion piece upwards.

- Bend back the two retaining tabs.
- Push the chimney over the telescopic chimney and bend the retaining tabs outwards again to prevent the chimney from slipping down again.

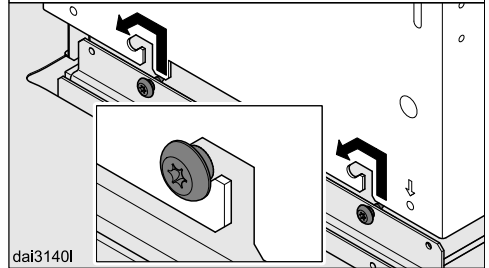
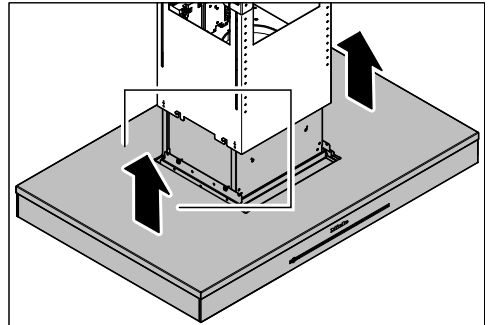
Tighten the screws only until the top edge of the telescopic chimney is evenly aligned with the ceiling or the spacer frame.

# Installation

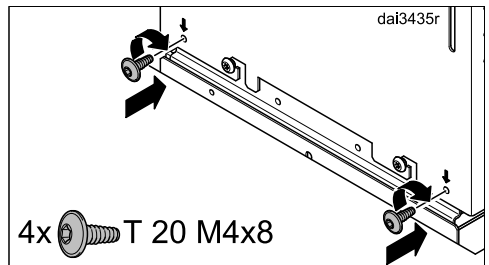
A non-return flap is supplied with the hood or is already fitted in the exhaust socket of the motor unit (depending on model).



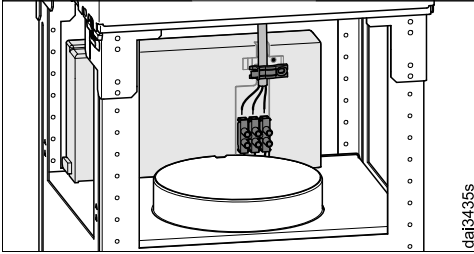
- With vented mode (AE) insert the non-return flap in the exhaust socket if your ducting system is not equipped with one. Recirculation mode (RM) does not require the non-return flap to be inserted. If there is one present, it should be removed.



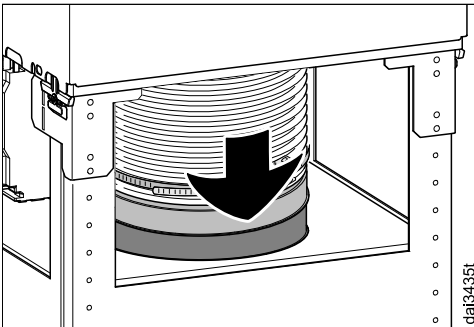
- Hang the hood on the brackets, making sure that the controls are at the front.



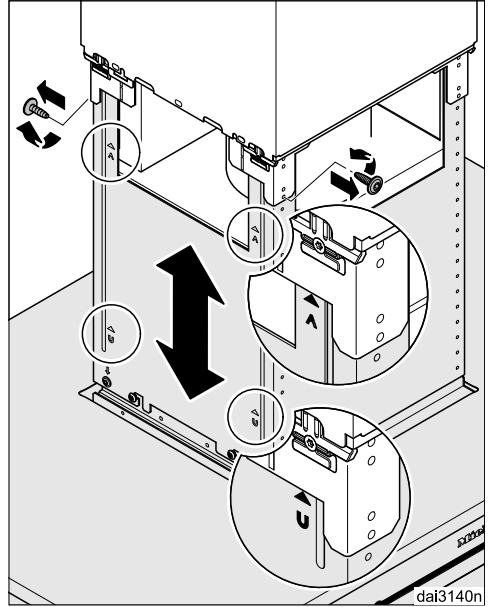
- Secure the hood with the screws supplied.



- Connect the power cord. See "Electrical connection."



- Place the exhaust ducting onto the exhaust socket.



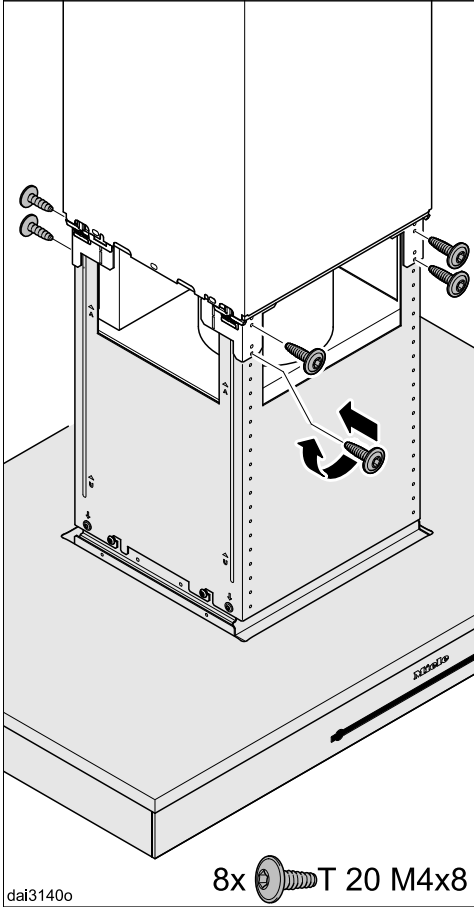
- Unscrew both screws from the installation frame again.

The canopy can now be adjusted to the desired height, observing the permissible height ranges:

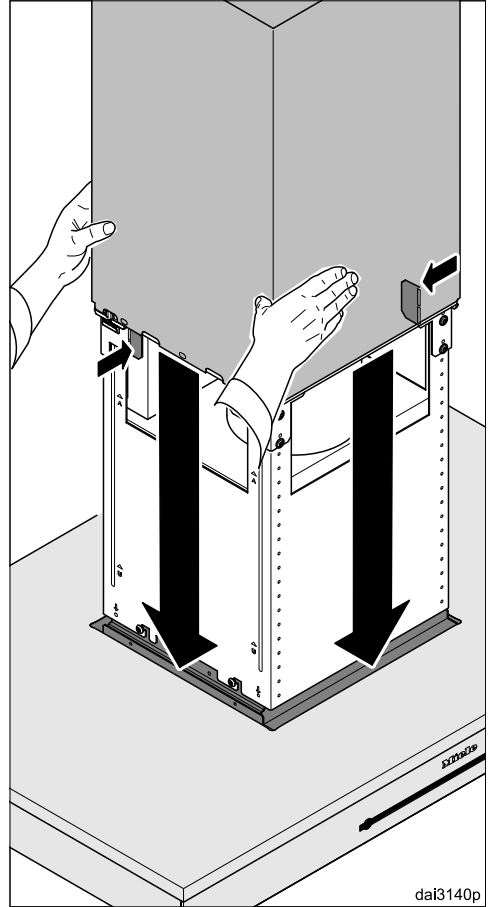
- With vented mode: upwards as far as it will go, downwards only to the "A" marking.
- With recirculation mode: upwards as far as the "U", downwards as far as it will go.

Follow the instructions in "Appliance dimensions." Safety distances between the cooktop and ventilation hood must be observed.

# Installation

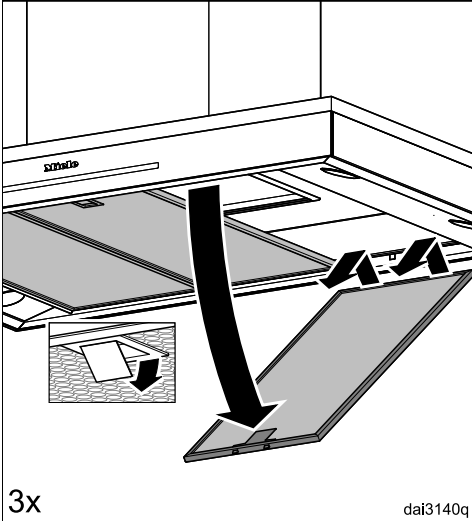


- Raise the canopy to the desired height and secure it with the screws.

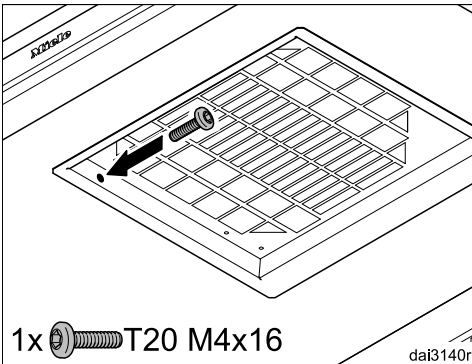


- Hold the chimney securely, bend back the retaining tabs and carefully lower it.

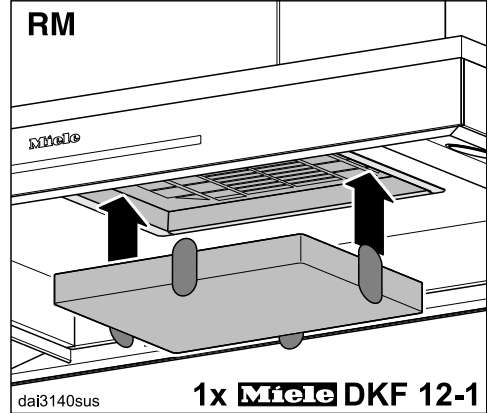
The chimney will locate in the cut-out in the canopy.



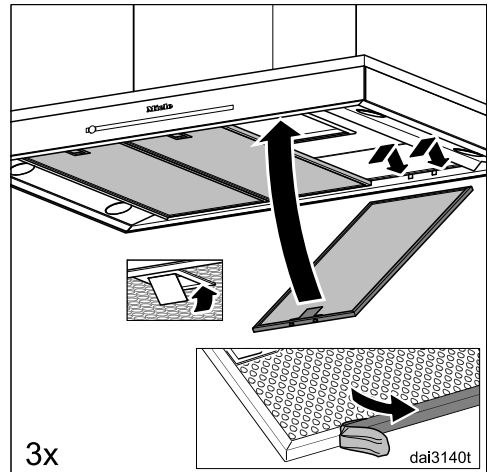
- Remove the grease filters from the hood.



- Insert the safety screw on the inside.



- With recirculation mode (RM) ventilation hoods, insert the OdorFree Charcoal Filter.



- Carefully remove the protective foil from the grease filters.
- Reinsert the grease filters.

# Exhaust duct

**WARNING:** Danger of toxic fumes. Gas cooking appliances release carbon monoxide that can be harmful or fatal if inhaled.

To reduce the risk of fire and to properly exhaust air, the exhaust gases extracted by the hood should be vented outside of the building only. Do not vent exhaust air into spaces within walls or ceilings or in attics, crawl spaces or garages.

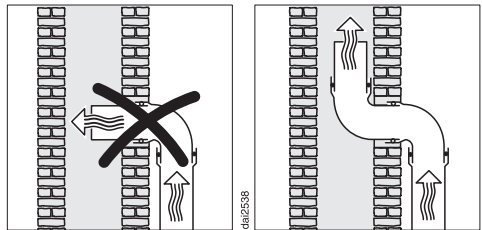
To reduce the risk of fire, only use metal ductwork.

Please read and follow the "IMPORTANT SAFETY INSTRUCTIONS" to reduce the risk of personal injury. Follow all local building codes when installing the hood.

- Only use smooth pipes or flexible duct hoses made from non-flammable materials for exhaust ductwork.
- To achieve the greatest possible air extraction with the lowest noise levels, please note the following:
  - The diameter of the exhaust duct should not be less than 6" (150 mm).
  - If flat exhaust ducts are used, the cross section should not be smaller than that of the exhaust connector.
  - The exhaust duct should be as short and straight as possible.
  - If elbows are needed, make sure they have a large radius.
  - The exhaust duct itself must not be kinked or compressed.
  - Make sure that all connections are secure and airtight.

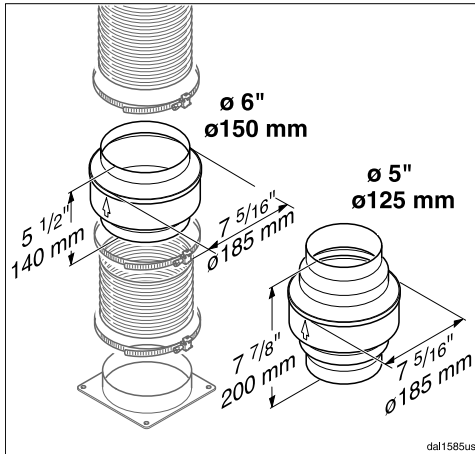
Remember that any constriction of the airflow will reduce extraction performance and increase operating noise.

- If the exhaust duct is to be routed through an outside wall, we recommend installing a telescopic wall vent or a rooftop vent (available as an optional accessory).



- If the exhaust air is to be conducted into a vent flue, the intake piece must be aligned with the flow direction of the flue.
- When installing the exhaust duct horizontally, you must slope it away from the source by at least 1 cm per meter (3/8" per 3 1/4'). This ensures that condensate cannot drain back into the ventilation hood.
- If the exhaust duct is to be routed through rooms, ceiling space etc., the temperatures in these different areas may differ greatly, which means that the problem of condensation will need to be addressed. The exhaust duct will need to be insulated.

## Condensate trap



In addition to insulating the exhaust duct, we recommend installing a condensate trap to collect and evaporate any condensate which might accumulate.

Condensate traps are available for exhaust ducts with a diameter of 5" (125 mm) or 6" (150 mm).

- When installing a condensate trap, make sure that it is positioned vertically and, if possible, directly above the hood outlet duct collar. The arrow on the housing indicates the direction of airflow.

# Electrical connection

**WARNING: TO REDUCE THE RISK OF FIRE, ELECTRIC SHOCK, OR INJURY TO PERSONS, OBSERVE THE FOLLOWING:**

All electrical work should be performed by a qualified electrician in strict accordance with national regulations (for USA: ANSI-NFPA 70) and local safety regulations. Installation, repairs and other work by unqualified persons could be dangerous.

Ensure that power to the appliance is OFF while installation or repair work is performed.

Verify that the voltage, load and circuit rating information found on the data plate (located behind the baffle filters), match the household electrical supply before installing the hood. Use only with ventilation hood cord-connection kits that have been investigated and found acceptable for use with this model hood.

If there is any question concerning the electrical connection of this appliance to your power supply, please consult a licensed electrician or call Miele's Technical Service Department.

**WARNING: THIS APPLIANCE MUST BE GROUNDED**

## Grounding Instructions

**WARNING -** Improper grounding can result in a risk of electric shock.

This appliance must be grounded. In the event of an electrical short circuit, grounding reduces the risk of electric shock by providing a path of least resistance.plug.

If there is any doubt, have the electrical system of the house checked by a qualified electrician.

To increase security before the machine is installed, it is recommended to install a protective switch(30mA).

- The hood must be hard wired accordingly:
  - Black/Red wire: connect to L1 (live)
  - White wire: connect to N (neutral)
  - Green wire: connect to GND (ground)



## Installation of the Con@ctivity 2.0 stick

In order for you to be able to use the Con@ctivity 2.0 function, the cooktop must be equipped with a Con@ctivity 2.0 stick.

- See the relevant installation instructions of the Con@ctivity 2.0 stick.

## Activating the Con@ctivity 2.0 function

To use the Con@ctivity 2.0 function, the radio link between the cooktop and the ventilation hood must be activated.



Both appliances must be installed and operational.

Wireless connection must be activated on the ventilation hood and the cooktop at the same time. Activation on the ventilation hood is described below.

Activation on the cooktop is described in the relevant operating and installation instructions. Please refer to the operating instructions before starting.

Activate the ventilation hood first, then the cooktop.

## Activating the ventilation hood

- The cooktop and hood must be turned off.
- Press the delayed shut down button  for approx. 10 seconds until **1** lights up in the fan setting display.
- Next, tap the following buttons in succession:
  - The **1** button,
  - Then the **IS** button,
  - And then the lighting button .

The hood is in log on / log off mode.

If the wireless connection is already activated, **2** and **3** will light up at the same time.

If there is no wireless connection, **2** and **3** will flash constantly (Con@ctivity 2.0 is already activated or a remote control is logged on).

- To activate Con@ctivity 2.0, tap the **IS** button.


The search for a wireless connection will start.

- As this is happening, begin activation on the cooktop.

# Activating Con@ctivity 2.0

---

## Activating the cooktop

- **While** the ventilation hood is searching for a wireless connection, start activation on the cooktop. More information can be found in the operating instructions for the cooktop.
- When the cooktop registers that connection has been established, confirm activation on the ventilation hood with the delayed shut-down button **5**  **15**. All indicators will go out.
- Confirm activation on the cooktop.

The Con@ctivity 2.0 function is now ready for use.

If you do not confirm within 4 minutes, activation will be canceled.

You only need to carry out the activation procedure once. If the appliances are disconnected from the electricity supply, for example during a loss of power, they will still remain activated.

## Activation failed

- If a wireless connection cannot be established despite activation of the Con@ctivity function on the ventilation hood and cooktop, the function must first be deactivated and then reactivated on both appliances.

## Deactivating Con@ctivity 2.0

- Deactivation on the ventilation hood is similar to the activation procedure. Select the **IS** instead of the **1** button.
- To deactivate the cooktop, please refer to the corresponding operating instructions.

Please keep in mind that disabling the connection will also disable any remote control function being used. The remote control must then be reactivated.

For faults that you cannot resolve on your own, please contact your Miele dealer or Miele Technical Service.

The telephone number for the Technical Service Department is listed at the back of these instructions.

When contacting Miele, please state the model and serial number of your ventilation hood. These can be found on the data plate.

### **Location of the data plate**

The data plate is visible once you have removed the grease filters.

### **Warranty**

For further information, please refer to your warranty booklet.

# Technical data

Fan motor	350 W
Overhead lighting	4 x 3 W
Total connected load	362 W
Voltage, Frequency	120 V AC, 60 Hz
Fuse rating	15 A
Power cord length	6.5 ft. (2 m)
Weight	

Optional accessories for recirculation mode:  
Recirculation kit DUW 32 and OdorFree Charcoal Filter DKF 12



Contains  
FCC ID: 2ACUWEI8800  
IC: 5669C-EI8800

This device complies with Part 15 of the FCC Rules and with Industry Canada licence-exempt RSS standard(s). Operation is subject to the following two conditions: (1) this device may not cause harmful interference, and (2) this device must accept any interference received, including interference that may cause undesired operation.

daib3451





Please have the model and serial number of your appliance available before contacting Technical Service.

---

# Miele

## **U.S.A.**

**Miele, Inc.**

### **National Headquarters**

9 Independence Way  
Princeton, NJ 08540

Phone: 800-843-7231  
609-419-9898

Fax: 609-419-4298

[www.mieleusa.com](http://www.mieleusa.com)

### **Technical Service & Support**

#### **Nationwide**

Phone: 800-999-1360

Fax: 888-586-8056

[TechnicalService@mieleusa.com](mailto:TechnicalService@mieleusa.com)

## **Canada**

**Importer**

**Miele Limited**

### **Headquarters and Miele Centre**

161 Four Valley Drive  
Vaughan, ON L4K 4V8

[www.miele.ca](http://www.miele.ca)

### **Customer Care Centre**

Phone: 800-565-6435

905-532-2272

[customercare@miele.ca](mailto:customercare@miele.ca)

## **Germany**

**Manufacturer**

Miele & Cie. KG  
Carl-Miele-Straße 29  
33332 Gütersloh



DA 6690 D



en-US

M.-Nr. 09 805 980 / 00



## Free Manuals Download Website

<http://myh66.com>

<http://usermanuals.us>

<http://www.somanuals.com>

<http://www.4manuals.cc>

<http://www.manual-lib.com>

<http://www.404manual.com>

<http://www.luxmanual.com>

<http://aubethermostatmanual.com>

Golf course search by state

<http://golfingnear.com>

Email search by domain

<http://emailbydomain.com>

Auto manuals search

<http://auto.somanuals.com>

TV manuals search

<http://tv.somanuals.com>