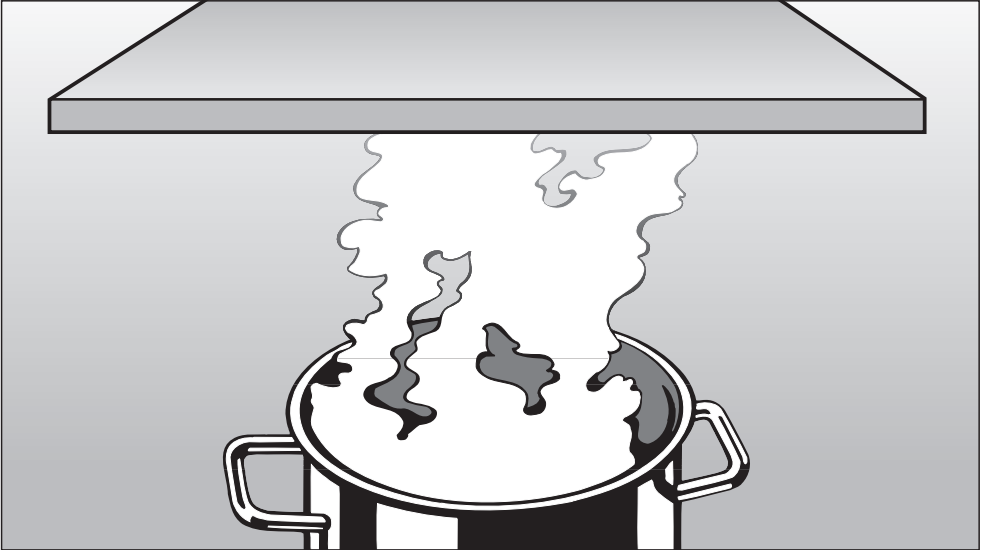


Operating and installation instructions



Range hood

DA 186,

DA 188,

DA 189

To avoid the risk of personal injury or damage to the appliance, it is **essential** that you read these operating instructions **before** installation and use.

en - CA

M.-Nr. 07 837 910

Contents

Caring for the environment	3
IMPORTANT SAFETY INSTRUCTIONS	4
Guide to the appliance / Operation	8
Operation	9
Operation	10
Cleaning and care	11
Housing	11
Grease filters	11
Odor Filters	13
Changing lamps	14
Customer service	15
Appliance dimensions	16
Distance between cooktop and hood	17
Installation	18
Electrical connection	24
Air extraction	25
Technical data	27

Disposal of packing material

The cardboard box and packing materials protect the appliance during shipping. They have been designed to be biodegradable and recyclable. Please recycle.

To prevent suffocation of children, ensure that any plastic wrappings, bags, etc. are disposed of safely and kept out of their reach.

Disposal of an old appliance

Old appliances may contain materials that can be recycled. Please contact your local recycling center about the possibility of recycling these materials.

Before discarding an old hood, unplug it from the outlet and cut off its power cord to prevent hazards.

IMPORTANT SAFETY INSTRUCTIONS

READ AND SAVE THESE INSTRUCTIONS

Keep these operating instructions in a safe place and pass them on to any future user.

Read these Instructions carefully before installing or using the Ventilation System.

- ▶ This appliance is intended for residential use only. Use the appliance only for its intended purpose.
- ▶ This appliance complies with current safety requirements. Improper use of the appliance can lead to personal injury and material damage.

⚠ CAUTION
For General Ventilating Use Only. Do Not Use To Exhaust Hazardous Or Explosive Materials And Vapors.

- ▶ This appliance is designed to vent cooking smoke and odors only.
- ▶ This appliance is suitable for installation above gas or electric cooking surfaces.
- ▶ This appliance is not designed for maritime use or for use in mobile installations such as recreational vehicles or aircraft.

⚠ WARNING
TO REDUCE THE RISK OF FIRE, ELECTRIC SHOCK, OR INJURY TO PERSONS, OBSERVE THE FOLLOWING:

- ▶ a) Use this appliance only in the manner intended by the manufacturer. If you have questions, contact Miele.
- ▶ b) Before servicing or cleaning the appliance, switch power off at the service panel and lock the service disconnecting means to prevent power from being switched on accidentally. When the service disconnecting means cannot be locked, securely fasten a prominent warning device, such as a tag, to the service panel.
- ▶ c) Be certain your appliance is properly installed and grounded by a qualified technician. To guarantee the electrical safety of this appliance, continuity must exist between the appliance and an effective grounding system. It is imperative that this basic safety requirement be met. If there is any doubt, have the electrical system of the house checked by a qualified electrician.

IMPORTANT SAFETY INSTRUCTIONS

► d) Before connecting the appliance to the power supply make sure that the voltage and frequency listed on the data plate correspond with the household electrical supply. This data must correspond to prevent appliance damage. If in doubt consult a qualified electrician.

► e) Installation work and repairs should only be performed by a qualified technician in accordance with all applicable codes and standards. Repairs and other work by unqualified persons could be dangerous.

► f) Only open the housing as described in the enclosed "Installation diagram" and in the "Cleaning and care" section of this manual. Under no circumstances should any other parts of the housing be opened. Tampering with electrical connections or components and mechanical parts is highly dangerous to the user and can cause operation faults.

► g) Before discarding an old appliance, disconnect it from the power supply and remove the power cord to prevent hazards.

Use

WARNING **TO REDUCE THE RISK OF A COOKTOP GREASE FIRE:**

► a) Never leave surface units unattended at high settings. Boilovers cause smoking and greasy spillovers may ignite. Heat oils slowly on low or medium settings.

► b) Always turn the hood on when cooking at a high heat.

► c) Clean the ventilation hood frequently. Grease should not be allowed to accumulate on the fan or filter.

► d) Use the proper pan size. Always use cookware appropriate for the size of the cooking area.

► e) Do not flambé or grill with an open flame beneath the hood. Flames could be drawn up into the hood by the suction and the grease filters may catch fire.

IMPORTANT SAFETY INSTRUCTIONS

⚠ WARNING
TO REDUCE THE RISK OF INJURY TO PERSONS IN THE EVENT OF A COOKTOP GREASE FIRE, OBSERVE THE FOLLOWING*

▶ a) **SMOTHER FLAMES** with a close fitting lid, cookie sheet, or metal tray then turn off the burner.

BE CAREFUL TO PREVENT BURNS.
If the flames do not go out immediately, **EVACUATE AND CALL THE FIRE DEPARTMENT.**

▶ b) **NEVER PICK UP A FLAMING PAN** - You may be burned.

▶ c) **DO NOT USE WATER**, including wet dishcloths or towels - a violent steam explosion will result.

▶ d) Use a fire extinguisher **ONLY** if:

- 1) You have a class ABC extinguisher, and you know how to operate it.
- 2) The fire is small and contained in the area where it started.
- 3) The fire department is being called.
- 4) You can fight the fire with your back to an exit.

* Based on "Kitchen Firesafety Tips" published by NAFTA

▶ Do not allow children to play with or operate the appliance or its controls. Supervise its use by the elderly or infirm.

▶ Always turn on the hood when using the cooktop to prevent damage from condensation.

▶ Never operate gas burners without cookware. Turn the burner off when not in use. Adjust the burner so that the flames do not extend beneath the cookware. Do not overheat the cookware, e.g. when using a wok. The hood can be damaged due to excessive heat from the burners and the cookware.

▶ Do not use the hood without the grease filters in place.

▶ Do not use a steam cleaner to clean the hood. Steam could penetrate electrical components and cause a short circuit.

IMPORTANT SAFETY INSTRUCTIONS

Installation

WARNING **TO REDUCE THE RISK OF** **FIRE, ELECTRIC SHOCK, OR** **INJURY TO PERSONS,** **OBSERVE THE FOLLOWING:**

- ▶ a) Installation work and electrical wiring must be done by qualified person(s) in accordance with all applicable codes and standards, including fire-rated construction.
- ▶ b) Sufficient air is needed for combustion and exhausting of gases through the flue (chimney) of fuel burning equipment to prevent back drafting. Follow the heating equipment manufacturer's guideline and safety standards such as those published by the National Fire Protection Association (NFPA) and the American Society for Heating, Refrigeration and Air Conditioning Engineers (ASHRAE), and the local code authorities.
- ▶ c) When cutting or drilling into the wall or ceiling, do not damage electrical wiring and other hidden utilities.
- ▶ d) Ducted hoods must always be vented to the outdoors.
- ▶ e) Do not use this hood with any solid-state speed control device.
- ▶ f) Do not use an extension cord to connect the appliance to electricity. Extension cords do not guarantee the required safety of the appliance, (e.g. danger of overheating).

▶ g) Do not install this hood over cooktops that burn solid fuel.

▶ h) Provided a larger distance is not given by the manufacturer of the cooktop, follow the minimum safety distances between a cooktop and the bottom of the hood given in the "Appliance dimensions" section of this manual.

If local building codes require a greater safety distance, follow their requirement.

If there is more than one appliance beneath the hood and they have different minimum safety distances always select the greater distance.

When installing a wood or laminate decor panel onto the cooker hood, regard the cooktop manufacturer's advice on the use of easily flammable material above the cooktop.

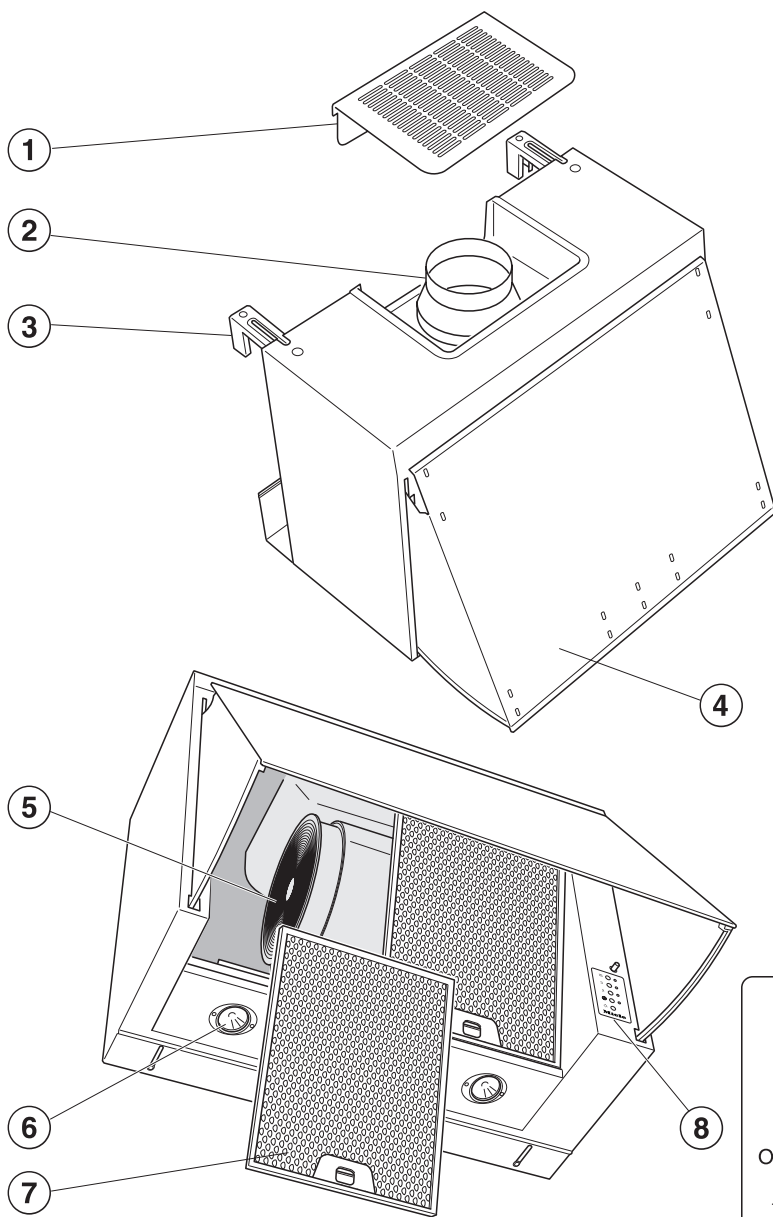
▶ i) Never connect an exhaust hood to an active chimney, dryer vent, vent flue, or room ventilating ductwork.

▶ j) Seek professional advice before connecting an exhaust hood vent to an existing, inactive chimney or vent flue.

▶ k) Any fittings, sealant, or materials used to install the ductwork must be made of approved non-flammable materials.

WARNING **TO REDUCE THE RISK OF** **FIRE USE ONLY METAL** **DUCTWORK.**

Guide to the appliance / Operation



dal1766ca

- ① **Recirculation grille**
(for recirculation mode only)
- ② **Exhaust connection**
- ③ **Installation bracket**
- ④ **Folding vapour canopy**
for installation of a cabinet door
- ⑤ **Deodorizing filter**
(accessory available to order for recirculation mode operation)
- ⑥ **Cooktop lighting**
- ⑦ **Grease filter**
- ⑧ **Control panel**

Operation

Switching the fan on

- Open the vapour canopy.

The fan comes on at power level "2".

- Use the buttons to select the desired power level.

For air exhaust and circulation, it is recommended that you let the fan continue to run for several minutes after cooking is completed.

This helps clear the kitchen air of any remaining vapours and odours.

- To switch off the fan
 - close the vapour canopy, or
 - press the "OFF" button longer.
- To switch the fan back on, press one of the buttons "1" to "3".

Switching on the lighting

The cooktop lighting can be switched on and off independently of the fan.

- Open the vapour canopy.

The lighting switches on.

- To switch off the lighting
 - close the vapour canopy, or
 - press the "☉" button.

Operation

The range hood operates

. . . in air extraction mode:

The air is drawn in and cleaned by the grease filters and then directed outside.

If your air extraction system does not have a **non-return flap**, one is provided with the range hood.

A non-return flap in the ventilation system ensures that when the range hood is shut off no unwanted exchange can occur between room air and outdoor air.

It is closed when the range hood is shut off.

When the hood is switched on, the non-return flap opens so that the exhaust air can be transported unimpeded to the outside.

. . . in air recirculation mode:

The air drawn in is cleaned by the grease filters and then by two **deodorizing filters**.

The air is returned to the kitchen through an opening in the top of the range hood.

The deodorizing filters are available as accessories (see "Technical data").

In recirculation operation, ensure that the deodorizing filters are in place; see "Care and Cleaning".

⚠ WARNING. TO REDUCE THE RISK OF ELECTRIC SHOCK OBSERVE THE FOLLOWING:

- Before servicing and repairing the range hood, disconnect it from the household electrical supply,
- by switching off the house panel circuit breaker
 - or
 - by completely unscrewing screw-type fuses from the house fuse panel

Housing

The surfaces and control panel are sensitive to scratching and cutting. To keep from damaging them, it is important to read the following instructions.

Use only a soft cloth with some dish liquid and warm water to clean all surfaces and the control panel.

Dry all surfaces with a soft cloth.

In the control panel area, do not use excess moisture in cleaning, to prevent dampness from getting into the electronics.

Avoid:

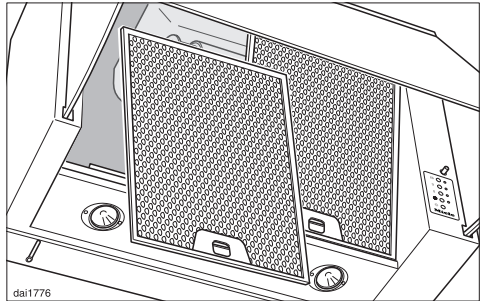
- cleaning products that contain washing soda, acids, bleach or solvents,
- abrasive cleansers, such as scouring powder or scouring liquid, scrubbing sponges, such as pot scrubbers, or used sponges that still contain abrasive cleanser residue.

Grease filters

The re-usable metal grease filters in the appliance trap the solid components present in cooking vapour (grease, dust, etc.), and this helps keep the exhaust hood clean.

We recommend cleaning the grease filters every 3-4 weeks, before the residue solidifies.

A filter with excessive grease carries the risk of fire.



- Open the grease filter locking clips and remove the filter downwards.

To prevent damage to the filter and the cooking surface, hold the filter securely when handling it.

Cleaning and care

Washing the grease filter by hand

- Clean the grease filters with a dish brush dipped in a mixture of warm water and a mild dish liquid. Do not use undiluted or concentrated dish liquid.

Do not use the following:

- lime removers,
- scouring powder, scouring liquid, or any corrosive all-purpose cleaner.
- oven spray,

Washing grease filters in the dishwasher

- Place the filter vertically in the lower basket, making sure that the spray arm is not blocked. Use a wash program with a max. temperature of 150°F (65°C). In a Miele dishwasher use the "Normal" program. Use the recommended amount of dishwasher detergent. Overuse could destroy the filter.

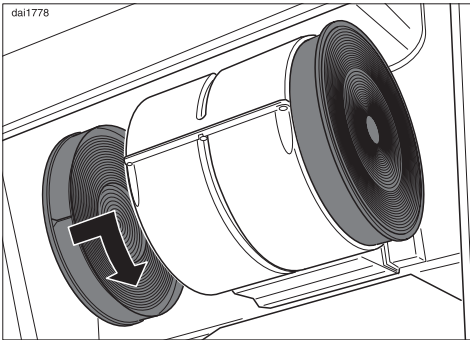
If you use the dishwasher to clean the grease filters, some discoloration may occur on their inside surfaces, depending on the detergent used. This has no effect on their efficiency.

- After cleaning, lay the grease filters on an absorbent surface to dry.
- With the filters removed, clean accumulated grease from accessible areas of the housing. This reduces the fire hazard.

Odor Filters

If the range hood is set up for recalculation operation, two **DKF 14-1** charcoal filters must be added to the grease filters.

- Open the vapour canopy.
- Remove the grease filters.
- Take the charcoal filters out of their packaging.



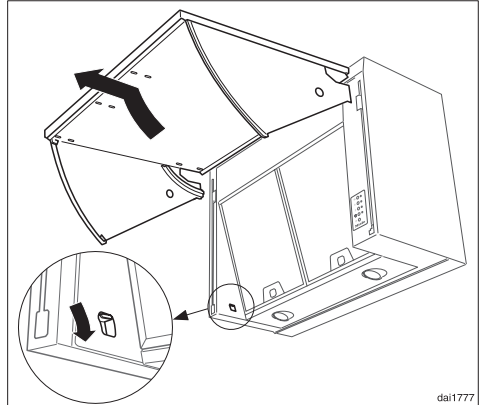
- Position the charcoal filters on either side of the fan and twist them into their holders.
- Put the grease filters back in place.

Replace the charcoal filters when they no longer sufficiently absorb the odours, but after six months at the latest.

Note:

The vapour canopy may be removed for better accessibility.

- Open the vapour canopy.



- Pull down the sliding catch and tip the canopy out forward.
- To replace the canopy, insert it into the top guides and swing it downwards.

Cleaning and care

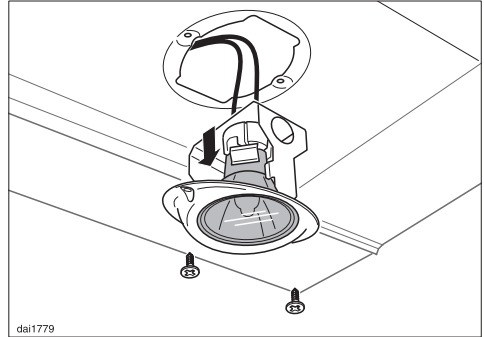
Changing lamps

⚠ WARNING TO REDUCE THE RISK OF ELECTRIC SHOCK OR INJURY TO PERSONS OBSERVE THE FOLLOWING:

Disconnect the exhaust hood from the power supply as follows:

- shut off the circuit breaker at the house panel, or
- fully unscrew the fuse from the house fuse panel.

The halogen lights become very hot when in use. They can cause burns even after being shut off for some time.



- Remove both screws from the lamp holder decorative ring.
- Pull the lamp unit out.
- Push the halogen lamp out of its mounting from the back. Take care not to let it fall on the cooktop.
- Fir a new halogen lamp (20 W) into the mounting, and replace the lamp unit, tightening its screws again.

For faults you cannot correct yourself, please contact the Miele Factory Repair Service.

The telephone number for the Factory Repair Service is listed on the back cover of these operating instructions.

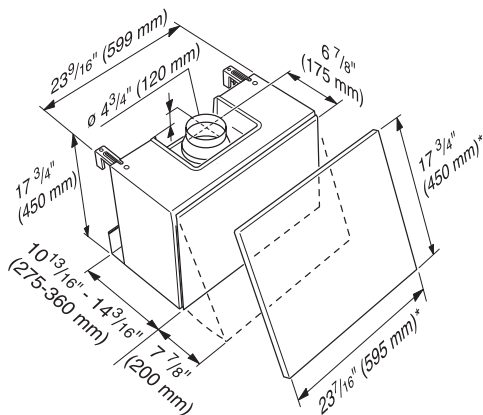
Customer service will require the model designation and serial number of your range hood. These can be found on the data plate, visible when the grease filters are removed.

Appliance dimensions

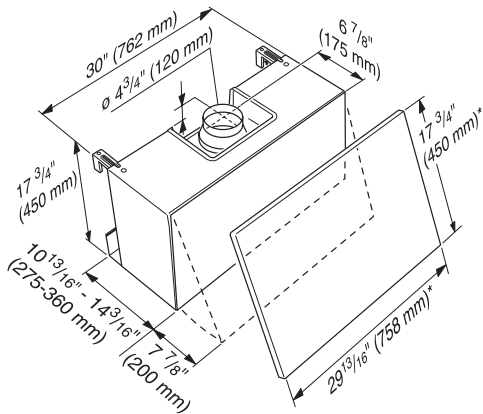
* Cabinet panel dimensions

Air extraction connection

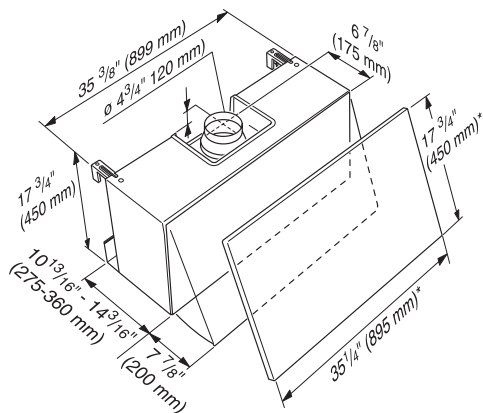
Ø 4 3/4" (120 mm).



DA 186



DA 188



DA 189

Distance between cooktop and hood

Do not install this exhaust hood over cooktops burning solid fuel.

Provided a larger distance is not given by the manufacturer of the cooktop, follow the minimum safety distances between a cooktop and the bottom of the hood:

	Miele Cooktops	Non-Miele Cooktops
Electric Cooktops	24" (610 mm)	
Electric Barbeques and Fryers	26" (660 mm)	
Multiburner Gas cooktops ≤ 43,000 BTU (12.6 KW) and no burner > 15,000 BTU (4.5 KW)	26" (660 mm)	30" (760 mm)
Single burner (Wok) ≤ 20,500 BTU (6 KW)	26" (660 mm)	30" (760 mm)
All other gas cooktops	30" (760 mm)	

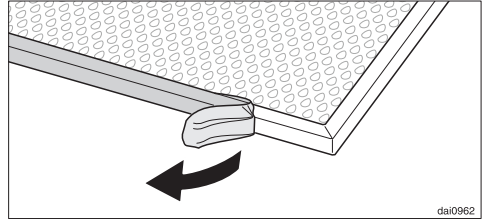
- If several gas surfaces are installed under the hood, the total output must be considered when determining the minimum safety distance.
- When installing a wood or laminate decor panel onto the cooker hood, regard the cooktop manufacturer's advice on the use of easily flammable material above the cooktop. If not otherwise specified in the instructions, ensure a distance of at least 30" (760 mm) from the gas cooktop.
- If local building codes require a greater safety distance, follow their requirement.
- If there is more than one appliance beneath the hood and they have different minimum safety distances always select the greater distance.

See "Important Safety Instructions" for further information.

Installation

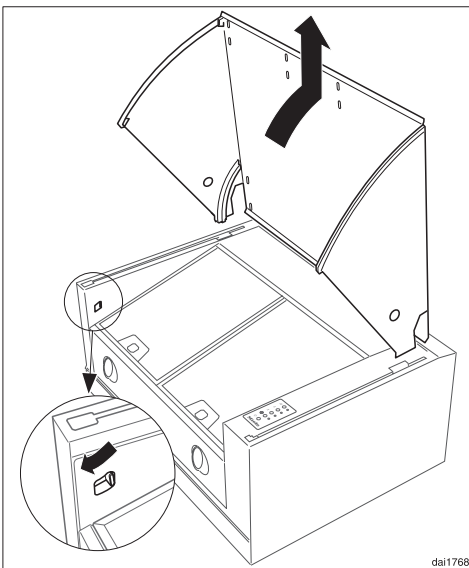
Before installation, read the information on "IMPORTANT SAFETY INSTRUCTIONS".

Under certain conditions there is a risk of carbon monoxide poisoning, especially if you operate the range hood simultaneously with an open fireplace.

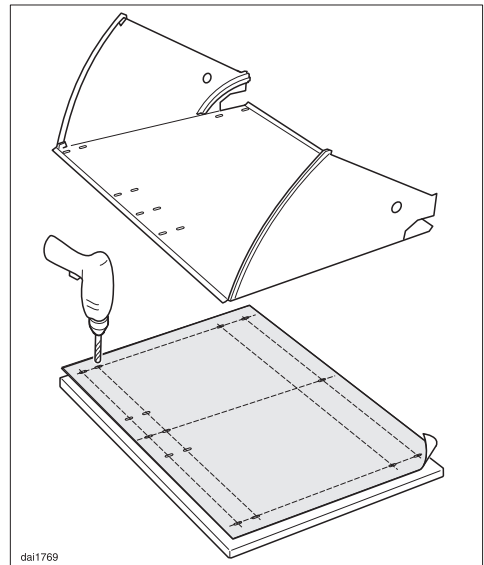


- Take out the grease filter and remove the protective foil from the filter frame.

Installing the cabinet door



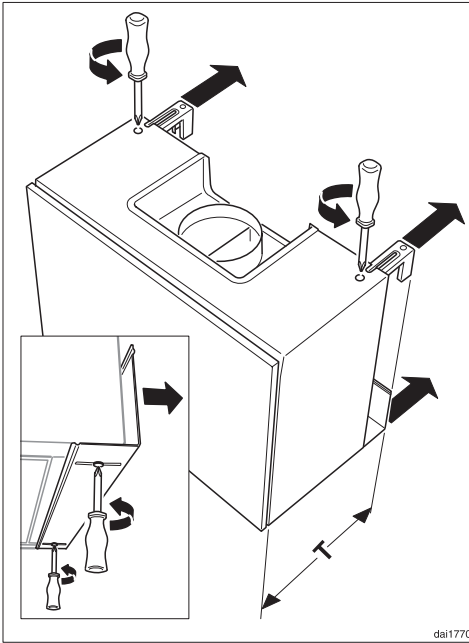
- Open the vapour canopy.
- Pull the sliding catch forward to release the canopy and swing it forward and upwards.



- Cut the drilling template for the front door to size, lay it on the inside of the door and pre-drill the holes as marked.
- Using suitable screws, attach the cabinet door to the vapour canopy.

Installation

Adjusting depth

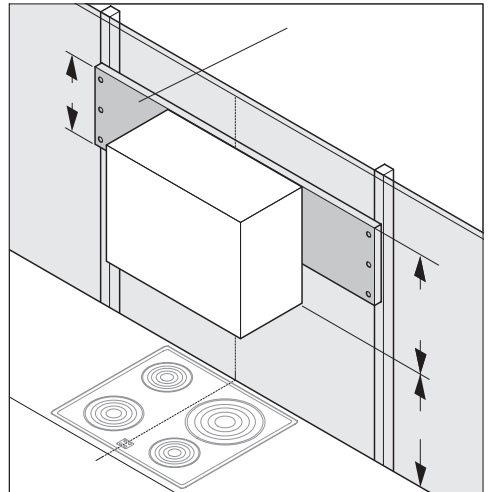


- The depth of the unit ("T" in the diagram) can be adjusted from $10 \frac{13}{16}$ " to $14 \frac{3}{16}$ " (275 to 360 mm) by means of the adjustable brackets..
- Slightly loosen the screws holding the brackets.
- Pull the brackets out to the desired depth "T".
- Tighten the screws again.
- To align the depth on the underside of the hood, loosen the screws on the angle plate and move it to the position required.
- If the range of adjustment is insufficient, unscrew the bracket completely, rotate it, and use the longer side.
- Tighten the screws again.

To install a plywood backing

The whole weight of the installed ventilation system has to be supported by the mounting plates. They must be firmly attached to stud framing behind the drywall. If studs are not available directly behind both mounting plates, a plywood backing (min. 2" (51 mm) thick) spanning at least two studs must be installed. Failure to adequately support the weight as stated may result in the ventilation system falling off the wall, causing personal injury and property damage.

(If plywood backing is not needed, proceed to "Wall attachment".)



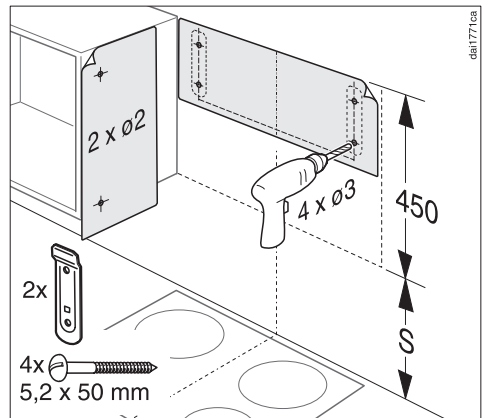
- Determine and mark the top edge of the appliance. It must be at least $S + 17 \frac{3}{4}$ " ($S + 450$ mm) in order to comply with the safety height (see "Appliance Dimensions").

- Make a cutting line 13" (330 mm) below the the top edge marking.
- Find the studs to the left and right of the appliance location by tapping the wall or using a stud finder.
- Mark a vertical cutting line along the center of each stud.

Be careful not to damage any wiring or plumbing that may be located behind the wall. Make sure that the power supply to the area where this installation is being performed has been turned off at the breaker panel before cutting into the wall.

- Remove the drywall between the cutting lines and replace it with plywood of a matching thickness (min. 2" (51 mm) thick).
- Screw the plywood firmly to the wall studs.
- Tape the joints and refinish the wall.

Wall attachment



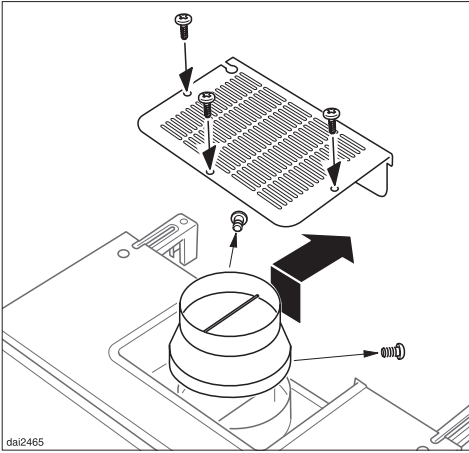
- Cut the wall attachment drilling template and place it on the wall.

The top edge of the trimmed template marks the top edge of the unit. To maintain a safe height above the cooktop, it must not be lower than $S + 17 \frac{3}{4}$ " ($S + 450$ mm) (see "Appliance Dimensions").

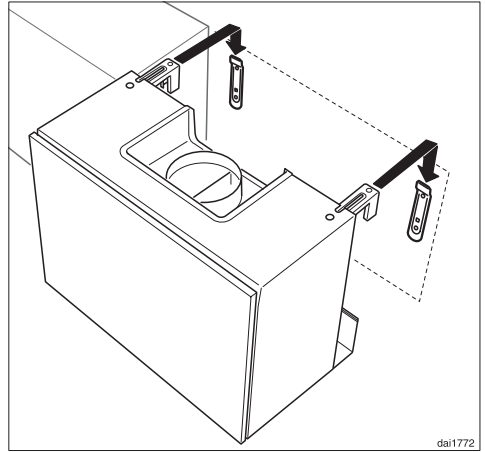
- Mark and drill the four locations for the mounting plate ($\varnothing 3$ mm).
- Fix the mounting plate to the wall using the 5.2 x 50 mm screws provided.

Another drilling template is provided for connecting the range hood to adjoining cabinets or for fitting side panels.

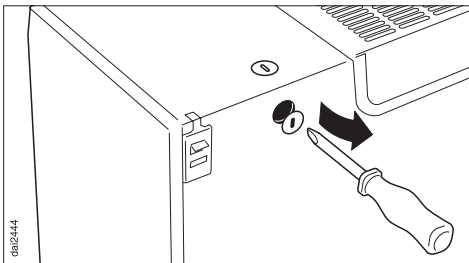
- Using the template, drill two mounting holes in the side cabinet or side panel ($\varnothing 2$ mm).



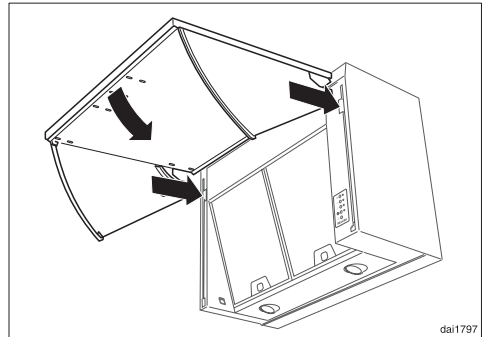
- For Recirculation the reducing collar with the non-return flap must be removed by unscrewing the screws and installing the recirculation grille.



- Hang the range hood in position using the adjustable brackets.



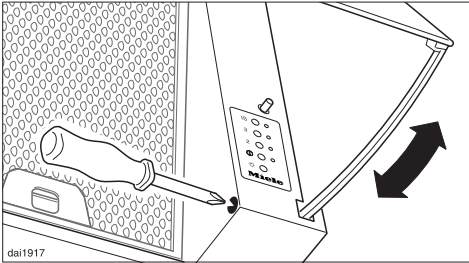
- Using a screw driver, pry out one of the covers for feeding through the power cable.



- Position the vapour canopy with the cabinet front fitted and close it.

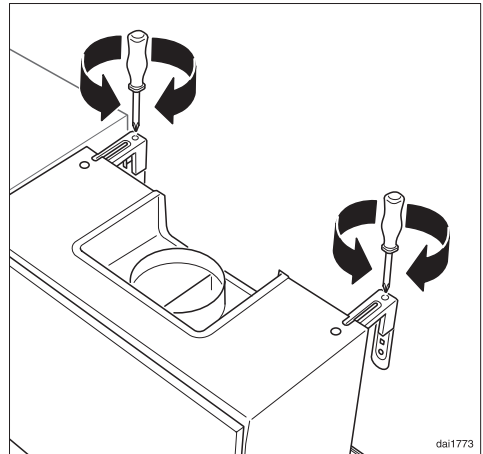
Installation

The movement of the vapour canopy can be adjusted. This may be necessary, for instance, if a heavy cabinet panel is mounted. In the front of the lower edge of the unit, two openings (right and left) give access to two adjustment screws.

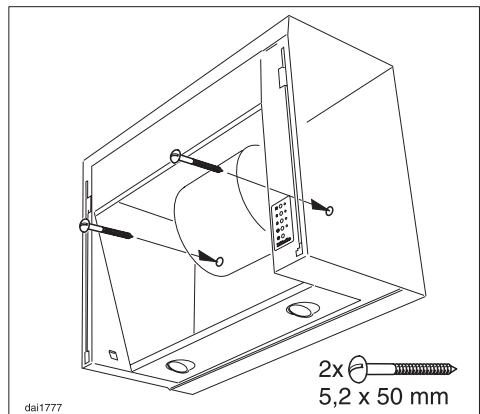


- Remove both cover caps.
- Using a Philips screwdriver, adjust both sides evenly:
 - clockwise: the folding mechanism becomes stiffer.
 - counterclockwise: the folding mechanism becomes freer.
- Replace the cover caps.

Height adjustment



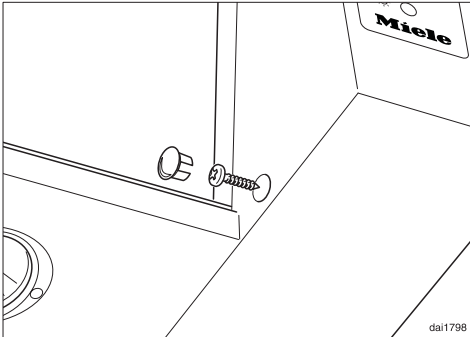
- Using the screws of the adjustable brackets, you can align the unit with the height of the adjoining cabinets. Turn them
 - counterclockwise: The unit is raised.
 - clockwise: the unit is lowered.
- If necessary, adjust the depth again.



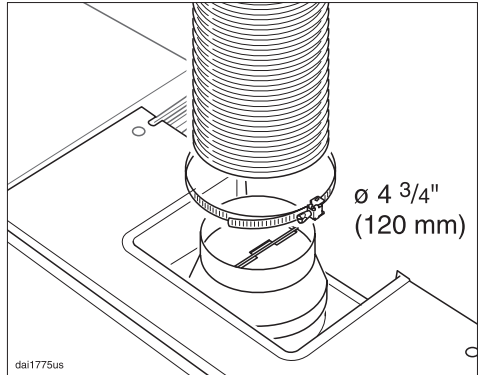
- Fix the hood to the wall using the 5.2 x 50 mm screws provided.

Securing the appliance to neighbouring wall units or fitting side panels

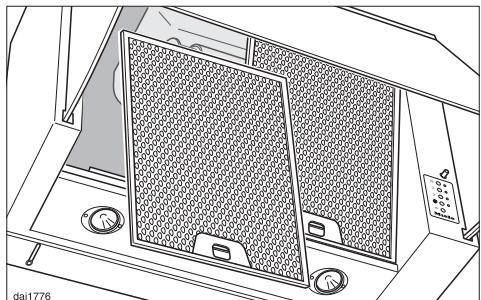
- Remove the vapour canopy.



- With grease filters removed, secure the range hood, or fit the side panels, using two screws per side. For the lower screws, first remove the screw caps, and replace them afterwards.
- Replace the vapour canopy.



- For air extraction mode:
 - Fit flexible ducting or a extraction pipe to the discharge connection, using a hose clamp.
 - Now fit the other discharge air connection. (see "Air extraction")
- For recirculation mode:
 - Fit the two deodorizing filters (see "Cleaning and care").



- Finally, replace the grease filters.

Electrical connection

All electrical work should be performed by a qualified electrician in strict accordance with national and local safety regulations. Installation, repairs and other work by unqualified persons could be dangerous. The manufacturer can not be held responsible for unauthorized work. Ensure that power to the appliance is OFF while installation or repair work is performed.

- Verify that the voltage, load and circuit rating information found on the data plate (located behind the grease filter), match the household electrical supply before installing the hood.

If there is any question concerning the electrical connection of this appliance to your power supply, please consult a licensed electrician or call Miele's Technical Service Department. See back cover for contact information.

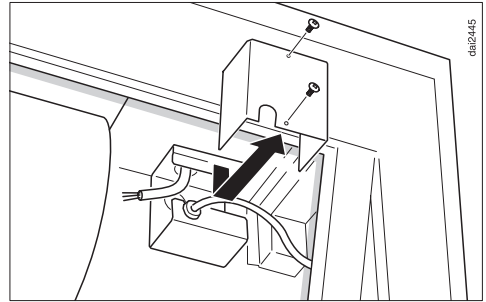
WARNING: **THIS APPLIANCE MUST BE GROUNDED**

Important
To increase security before the machine is installed, it is recommended to install a protective switch (30 mA).

CAUTION
Connect only to a 15-ampere branch circuit.

- Remove the vapour canopy and the grease filters from the range hood (see "Cleaning and Care").

The electrical junction box is located on the inside rear right of the range hood.



- Loosen the screws and remove the cover.
- Feed the power line from your house installation through the cable opening in the casing.
- Connect the cables to the terminal clamps.

Important

The hood must be hard wired accordingly:

Black/Red wire: connect to L1 (live)

White wire: connect to N (neutral)

Green wire: . . connect to GND (ground)

- Close up the junction box again and re-install the grease filters and the vapour canopy.

Air extraction

WARNING

Danger of toxic fumes.

Gas cooking appliances release carbon monoxide that can be harmful or fatal if inhaled.

To reduce the risk of fire and to properly exhaust air, the exhaust gases extracted by the hood should be vented outside of the building only.

Do not vent exhaust air into spaces within walls or ceilings or in attics, crawl spaces or garages.

To reduce the risk of fire, only use metal ductwork.

Please read and follow the

"IMPORTANT SAFETY

INSTRUCTIONS" to reduce the risk of personal injury. Follow all local building codes when installing the hood.

Exhaust ducting and connections

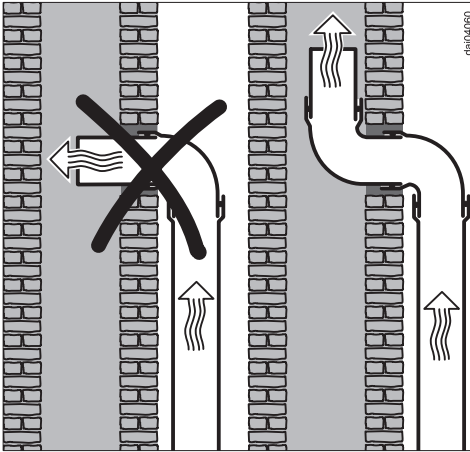
Use smooth or flexible pipework made from approved non-flammable materials for exhaust ducting.

To achieve the most efficient air extraction and quietest noise levels, consider the following:

- The diameter of the ductwork should not be less than 4 $\frac{3}{4}$ " (120 mm).
- If flat ducting is used, the cross section must not be smaller than the cross section of the ventilation exhaust.
- The ducting should be as short and straight as possible.
- Use ductwork with a wide radius.
- The exhaust duct must not be bent or compressed.
- Make sure all connections are secure.
- Where the ductwork is horizontal, it must slope away from the hood at least $\frac{1}{8}$ " per foot (1 cm per meter) to prevent condensation dripping into the appliance.

Air extraction

- If the exhaust is ducted through an outside wall, a Miele Telescopic Wall Vent can be used.



- If the exhaust is ducted into an inactive flue, the air must be expelled parallel to the flow direction of the flue.

Never connect an exhaust hood to an active chimney, dryer vent, flue, or room venting ductwork. Seek professional advice before connecting an exhaust hood vent to an existing, inactive chimney or vent flue.

Important

If the ductwork runs through rooms, ceilings, garages, etc. where temperature variations exist, it may need to be insulated to reduce condensation.

Total connected load.	260 W
Fan motor	220 W
Cooktop lighting	2 x 20 W
Power supply voltage	120 V
Cycles (Hz)	~ 60 Hz
Fuse rating (amps)	15 A



Miele Limited

Headquarters and Showroom

161 Four Valley Drive

Vaughan, ON L4K 4V8

Phone: 800-643-5381

905-660-9936

Fax: 905-532-2290

www.miele.ca

professional@miele.ca (commercial enquiries)

MieleCare National Service

Phone: 800-565-6435

905-532-2272

Fax: 905-532-2292

customercare@miele.ca (general and technical enquiries)

Germany

Miele & Cie. KG

Carl-Miele-Straße 29

33332 Gütersloh



Free Manuals Download Website

<http://myh66.com>

<http://usermanuals.us>

<http://www.somanuals.com>

<http://www.4manuals.cc>

<http://www.manual-lib.com>

<http://www.404manual.com>

<http://www.luxmanual.com>

<http://aubethermostatmanual.com>

Golf course search by state

<http://golfingnear.com>

Email search by domain

<http://emailbydomain.com>

Auto manuals search

<http://auto.somanuals.com>

TV manuals search

<http://tv.somanuals.com>